



# WASHER



## *User Manual*

### **Models:**

SLW241W

LWM24

**BEFORE USE, PLEASE READ AND FOLLOW ALL SAFETY RULED AND OPERATING INSTRUCTIONS**

*Write Model and Serial Numbers here:*

*Model:* \_\_\_\_\_

*Serial No.:* \_\_\_\_\_

**Summit Appliance  
Division of Felix Storch, Inc.  
An ISO 9001:2015 registered company  
770 Garrison Avenue  
Bronx, NY 10474  
[www.summitappliance.com](http://www.summitappliance.com)**

# TABLE OF CONTENTS

<b>Safety Precautions</b>	<b>3-4</b>
<b>Technical Specifications</b>	<b>4</b>
<b>Installation and Connection</b>	<b>5-9</b>
<i>Removing the Blocking Rods</i>	5
<i>Adjusting the Washing Machine Feet</i>	5
<i>Installation Clearances</i>	6
<i>Connecting the Water Line</i>	6-7
<i>Connecting the Water Discharge Hose</i>	7-8
<i>Connecting the Power Supply</i>	9
<b>Proper Usage</b>	<b>9-15</b>
<i>Turning on the Washing Machine</i>	9
<i>Loading the Washing Machine</i>	9
<i>Adding Detergent</i>	10
<i>Choosing the Washing Program</i>	10-12
<i>Choosing the Proper Setting</i>	13-14
<i>Additional Settings</i>	14
<i>Starting the Washing Machine</i>	15
<i>Changing the Washing Program and Manual Cancellation</i>	15
<i>Adding/Removing Laundry During the Washing Program</i>	15
<i>Low Standby Mode</i>	15
<b>Maintenance and Cleaning</b>	<b>16-17</b>
<i>Cleaning the Dispenser Tray</i>	16
<i>Cleaning the Water Supply Hose, Detergent Dispenser, and Door Gasket</i>	17
<i>Cleaning the Pump Filter</i>	17
<b>Troubleshooting</b>	<b>18-20</b>
<b>Disposal</b>	<b>21</b>
<b>Program Duration and Rate Table</b>	<b>22</b>
<b>Limited Warranty</b>	<b>24</b>

# SAFETY PRECAUTIONS

Your safety and the safety of others is very important.

This manual contains important information on the installation, use, and care of your appliance. Read the instructions for use carefully before using the washing machine to prevent injury and property damage. Please, do not use the washing machine without reading and understanding these instructions or use first.

**NOTE:** These instructions for use are supplied with different types or models of washing machines. Therefore, they may include descriptions of settings or equipment that are not available in your washing machine.



Failure to observe the instructions for use or inappropriate use of the washing machine may result in damage to the laundry or the appliance, or injury to the user. Keep the instruction manual handy, near the washing machine.

- Your washing machine is intended solely for household use. If the washing machine is used for professional, for-profit purpose or purpose exceeding normal use in a household, or if the washing machine is used by a person who is not a consumer, the warranty period shall be equal to the shortest warranty period required by relevant legislation.
- Connection to water and power supply has to be executed by an adequately trained technician or expert.
- Any repair and maintenance pertaining to safety or performance should be done by trained experts.
- To avoid danger, a damaged power cord may only be replaced by the manufacturer, a service technician, or an authorized person.
- Before connecting the washing machine to the power mains, wait for at least 2 hours until it reaches room temperature.
- In case of a defect, only use approved spare parts by authorized manufacturers.
- In case of incorrect washing machine connection, incorrect use, or servicing by an unauthorized person, the user shall bear the cost of any damage as such damage shall not be covered by warranty.
- The washing machine may not be connected to the power mains using an extension cord.
- Do not connect the washing machine to power mains using an external switching device such as a program timer, or connect it to power mains that is regularly switched on and off by the power supply provider.
- Do not connect the washing machine to an electrical outlet intended for an electric shaver or hair dryer.
- Certain internal parts are intentionally not grounded and may present a risk of electric shock only during servicing. Service Personnel - Do not contact the following parts while the appliance is energized: Motor, Pump and Control unit.
- Do not install the washing machine in a room where the temperature can drop to below 41°F (5°C), as washing machine parts may be damaged in case of water freezing.
- Place the washing machine on a level and stable solid (concrete) base.
- If the washing machine is placed on an elevated stable base, the washing machine has to be additionally secured against tipping.
- Before the first use of the washing machine, remove the blocking rods, as switching on a blocked washing machine can result in serious damage. Warranty shall be void in cases of such damage.
- To connect the washing machine to water supply, make sure to use the supplied water supply hose and gaskets.
- Water pressure has to be between 0.05 and 0.8 MPa (0.5 – 8 bar).
- Always use a new water supply hose to connect the washing machine to water supply; do not reuse an old water supply hose.



**Risk of child entrapment!**

Child entrapment and suffocation are not problems of the past. Junked or abandoned appliances are still dangerous, even if they will “just sit in the garage a few days.”

*Before discarding your old refrigerator:*

- *Take off the doors*
- *Leave the shelves in place so that children may not easily climb inside*

**-SAVE THESE INSTRUCTIONS-**

## TECHNICAL INFORMATION

Power Supply	208-240V, 60Hz
Rated Current	15A
Maximum load	19.8lbs
Spin Speed	1,400 rpm
Water Pressure	0.05-0.8MPa (7.25 -115psi)
Maximum Power	2,300 W
Width	23 ½”
Height	33 ½”
Depth with door closed	25 ½”
Depth with door open	44 ½”



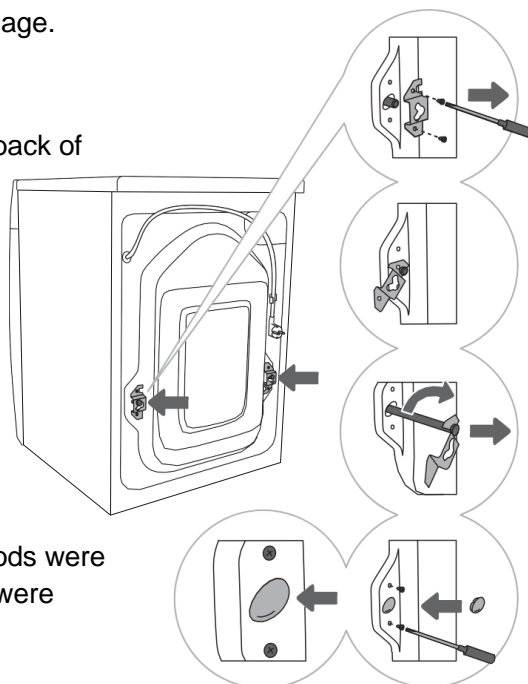
# INSTALLATION AND CONNECTION

- Remove the exterior and interior packaging before using your appliance.
- Place the washing machine on a clean, dry concrete floor strong enough to support the machine.
- Let the washing machine stand for at least two hours before first using the appliance.

**NOTE:** Before using your appliance for the first time, the transport rods must be removed. A blocked washing machine may be damaged when it is switched on for the first time. Warranty should be void in cases of such damage.

## Removing the Blocking Rods

1. Move the housing and remove the screws on the back of the washing machine. Remove the two angular pieces.
2. Slide the angular pieces onto the groove in the blocking rod. Before doing so, rotate the right angular piece to the opposite side.
3. Use the angular pieces to rotate the blocking rods by 90° and pull them out.
4. Cover the two holes, through which the blocking rods were inserted, with plastic plugs. Redo the screws that were removed in Step 1.

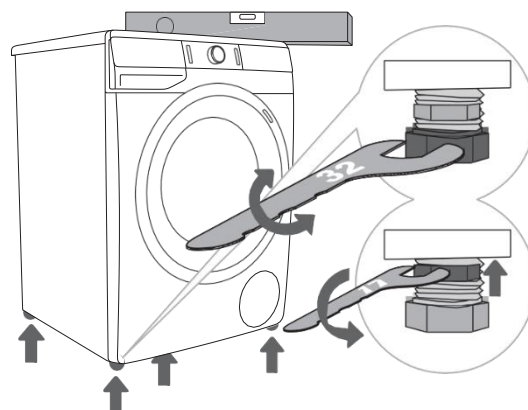


## Adjusting the Washing Machine Feet

Use a water scale and a No.32 wrench to adjust the feet and a No. 17 wrench to adjust the nut.

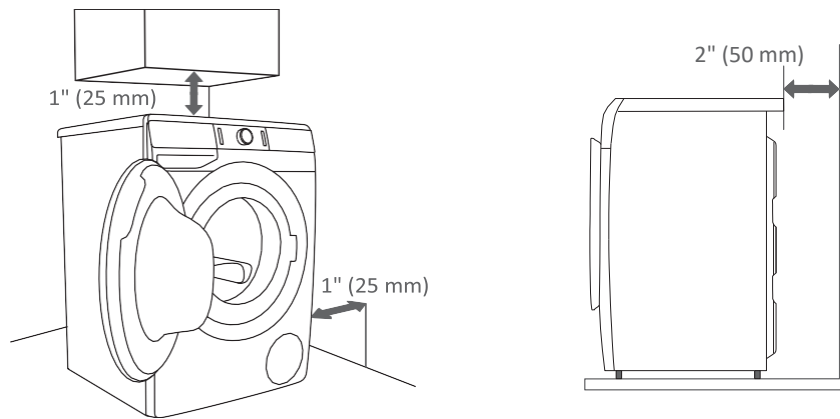
1. Rotate the adjustable feet to change their height and level the washing machine.
2. Firmly tighten the jam nuts, using a No. 17 wrench, by turning them up, toward the bottom of the washing machine.

**NOTE:** Incorrect leveling of the washing machine may cause vibrations, the appliance to slide across the room, or the washing process may be louder than normal. Incorrect leveling of the machine is not subject to warranty.



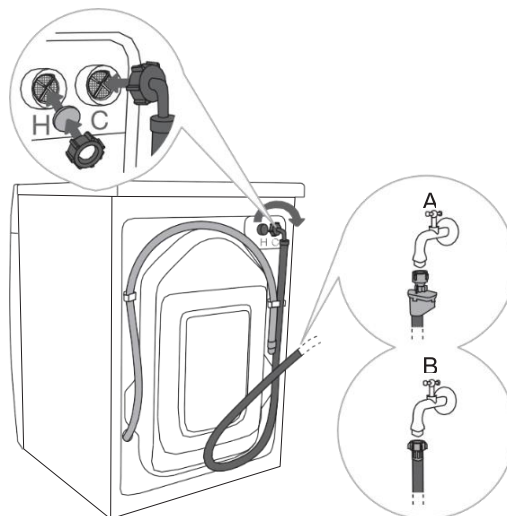
## Installation Clearances

The washing machine should NOT touch a wall or any adjacent furniture. For optimum operation, we recommend making sure the clearances from the walls are as indicated in the figures below. Safe and correct appliance operation cannot be ensured if the minimum required clearances are not observed.



## Connecting the Water Line

Attach one end of the water line hose to the back of the washing machine, and attach the other end to the water tap. Screw the line all the way onto the thread.



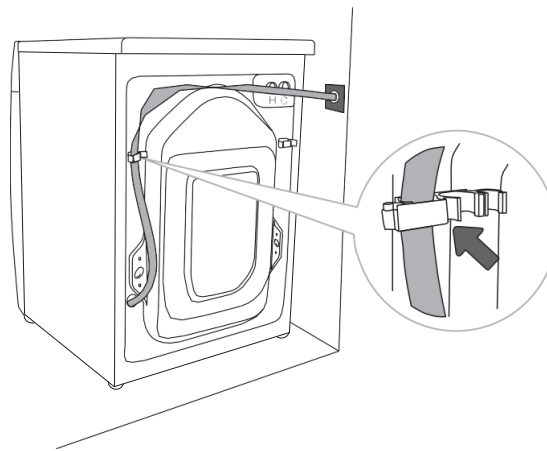
- If your model has connections for both hot and cold water, then connect one hose to the cold water supply (blue wing nut or blue mark on the hose) and the other one to the hot water supply (red wing nut or red mark on the hose), as indicated on the back of the washing machine. Connections are labelled with letters C and H (C = cold, H = hot). HOT water (mixture of hot and cold water) is only added for programs at WARM or higher.
- If your washing machine features a hot and cold water connection, but only one water temperature is desired for use, do not install the water hose. Close the hot/cold water connection on the back of the washing machine with the supplied cap.

- For normal washing machine operation, the water main pressure should be between 0.05 and 0.8 MPa (7.25 and 116psi). Minimum dynamic water pressure can be determined by measuring the water flow. In 15 seconds, 0.8 gal (3 liters) of water should flow from a fully opened tap.
- Firmly tighten the water supply by hand. Check the seal after connecting the hose to ensure there are no leaks.

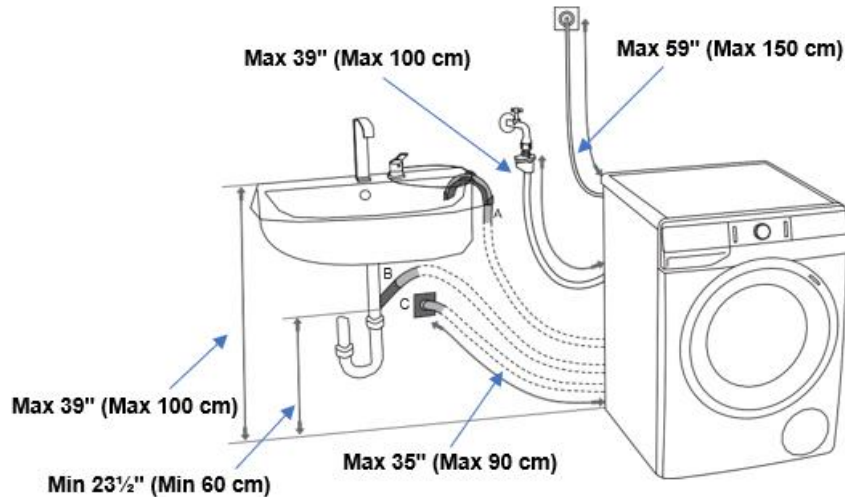
**NOTE:** DO NOT use pliers or similar tools when connecting the hose, as this could damage the nut and thread.

### Connecting the Water Discharge Hose

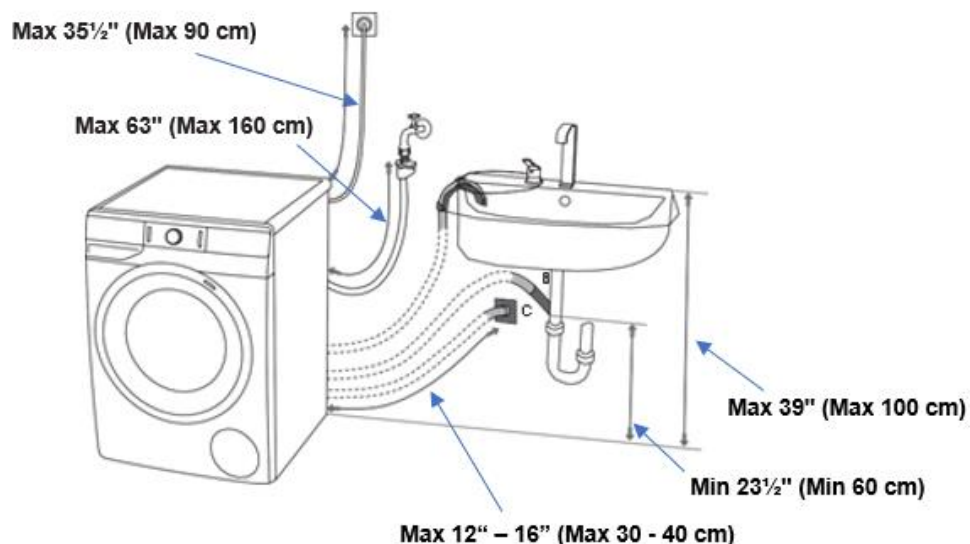
The discharge hose must be attached and fixed to the pin on the back of the washing machine, as shown below:



- Feed the water discharge hose into a wash basin or bathtub. The hose can also be directly connected to a drain with a discharge hose with a minimum diameter of 1 ½" (4cm).
- The vertical distance from the floor to the end of the discharge hose may be no more than 39" (100cm) and no less than 23 ½" (60cm). It can be attached in any of the three ways shown below:



- (A) The end of the discharge hose may be placed over a wash basin or a bathtub. Use a string fed through the opening in the elbow support to attach the hose and prevent it from slipping on the floor.
- (B) The discharge hose may also be attached directly to the wash basin drain.
- (C) The discharge hose can also be attached to a wall drain with a trap. Such a trap should be properly installed to allow cleaning.



## **Connecting the Power Supply**

- Before connecting the washing machine to the power supply, wait for a least two hours until the appliance reaches room temperature.
- Connect the washing machine to a grounded power outlet, which should be freely accessible after installation.
- DO NOT connect the washing machine using an extension cord.
- A damaged power cord may only be replaced by an authorized repair person.

**NOTE:** Use over-voltage protection to protect the appliance in case of a lightning strike.

# **PROPER USAGE**

**NOTE:** Before using the washing machine for the first time, unplug the machine, clean the washing drum with a soft cloth and water, or use the Cotton EXTRA HOT washing program while the washer is empty.

## **Turning on the Washing Machine**

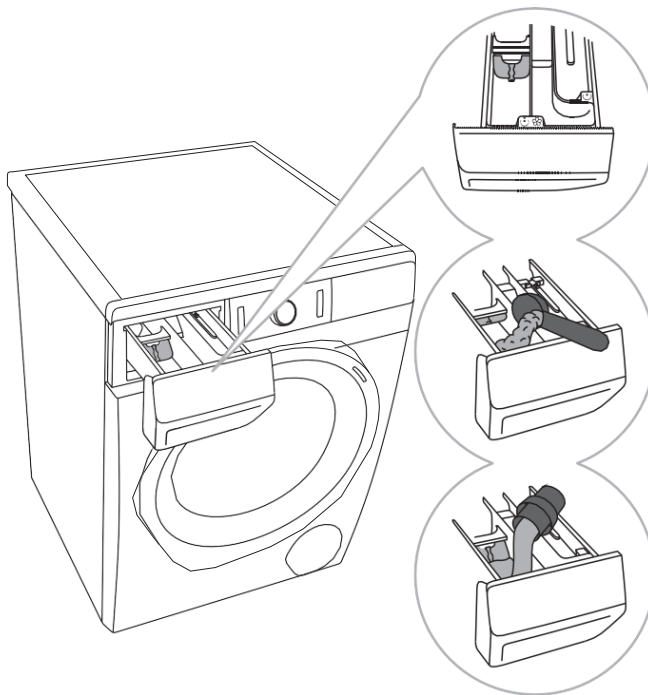
1. Connect the washing machine to both the power supply and the water supply.
2. Connect the drain hose.
3. Press the ON/OFF/RESET button to switch the machine on.

## **Loading the Washing Machine**

Open the washing machine door by pulling the handle toward you. Insert the laundry into the drum, and close the washing machine door.

## Adding Detergent

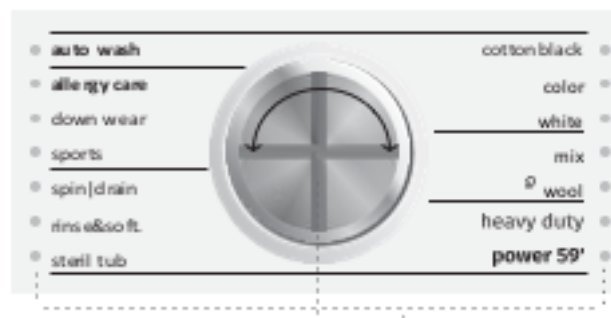
Both liquid and powdered detergent can be used in your washing machine.




- A separator/divider tab is found in the detergent tray.
- Remove the divider tab when using powdered detergent.
- Leave the divider tab in place when using liquid detergent.

## Choosing the Washing Program

Rotate the program selector knob to the left or the right, depending on the type of clothing you are washing. The light next to the program will illuminate when that particular washing program is selected. See the Program Table below if you are unsure which washing program is correct.



## Program Table

Program	Max. load	Program description
<b>Cotton black</b> WARM	** (1/2)	This program is used for washing dark laundry, using special-purpose detergents for black laundry. The program washes at low temperatures, with gentle tumbling and a lower spinning rate.
<b>Cotton color</b> * - HOT	* MAX	This program is used for lightly to moderately dirty laundry. The temperature can be set separately; therefore, wash according to the instructions indicated on the clothing. Wash the clothes worn directly on the skin at HOT. Less heavily soiled laundry should be washed at WARM. The default spinning rate is set at maximum speed, but the rate can also be adjusted. The program duration and amount of water will be adjusted to the amount of laundry being washed.
<b>Cotton white</b> WARM - EXTRA HOT	* MAX	This program is used for normally or heavily soiled light or dark laundry. The temperature can be set separately; therefore, wash according to the instructions indicated on the clothing worn directly on the skin. Choose WARM if the laundry is only lightly dirty. The default spinning rate is set at maximum speed, but the rate can also be adjusted. The program duration and amount of water will be adjusted to the amount of laundry being washed.
<b>Mix</b> (Mixed laundry/ Synthetics) * - HOT	7.7 lb (3.5 kg)	This program is used for delicate clothing made of synthetic and mixed fibers, like rayon, and for washing cotton. Observe the instructions indicated on the clothing. Most garments made of synthetic fibers are washed at WARM.
<b>Wool</b>  * - WARM	4.4 lb (2 kg)	This program is used for washing wool, silk, and clothes that require manual washing. The maximum temperature is WARM. This program has a short spinning cycle with a top spinning rate of MAX available.
<b>Heavy duty</b> * - EXTRA HOT	6.6 lb (3 kg)	This program is used for normally soiled cotton and/or linen clothes for daily use up to a full load. You can select »Cold« (incoming water temperature), WARM, HOT or EXTRA HOT. The lower the selected temperature, the shorter the program time. Garments worn next to the skin should be washed at EXTRA HOT.
<b>Power 59</b> WARM	** (1/2)	This program is used for smaller amounts of lightly soiled laundry. The program washes with gentle tumbling and a lower spinning rate.
<b>Steril tub (Self-cleaning program)</b>	0 lb (0 kg)	This program is used to clean the drum and to remove detergent residue and bacteria. To select the program, rotate the program selector knob to the left or to the right to the Steril tub (Self-cleaning program) position. Other extra functions cannot be selected. The drum has to be empty. You can add distilled (vinegar (approx. ¾ cup) or baking soda (1 tbsp). We recommend running the program at least once a month.

<b>Rinse/Softening (Partial program)</b>	/	This program is used for softening, starching, or impregnating the washed laundry. It can also be used as a rinse program, but without added softener. It is completed with an additional rinse. You can also choose WATER+ (HIGH WATER LEVEL) by selecting the extra function.
<b>Spin/Drain (Spinning rate/Drain) (Partial program)</b>	/	Use this program when you only wish to spin the laundry. If you only wish to pump out the water from the washing machine, press the SPIN (9) button to select (drain) ∅.
<b>Sports (Sportswear) WARM</b>	7.7 lb (3.5 kg)	This program is for slightly soiled sportswear made of cotton, microfibers and synthetic fibers. The program runs at lower spinning rates, followed by a brief final spinning cycle.
<b>Down wear * - WARM</b>	** (1/2)	This program is suitable for pillows and jackets stuffed or padded with down. The wash takes place at a low temperature, with a large amount of water, gentle tumbling, and a gentle spin cycle.
<b>Allergy care WARM - EXTRA HOT</b>	* MAX	This program is used to wash normal to heavily soiled clothes that require special care, such as clothes for people with highly sensitive skin or skin allergies. We recommend turning the garments inside out, as this will also thoroughly wash out any skin and other residues. You can also select the option to wash at maximum temperature and at the maximum spinning rate.
<b>Auto wash WARM</b>	* MAX	This program automatically adjusts the duration of the main wash and the number of rinses depending on the amount of laundry in the machine. Use it for lightly soiled laundry. No extra program settings can be set when using the auto wash.

\* Maximum load (MAX)

\*\* Half load (1/2)

/ Any load (0 lb (kg) – MAX lb (kg))

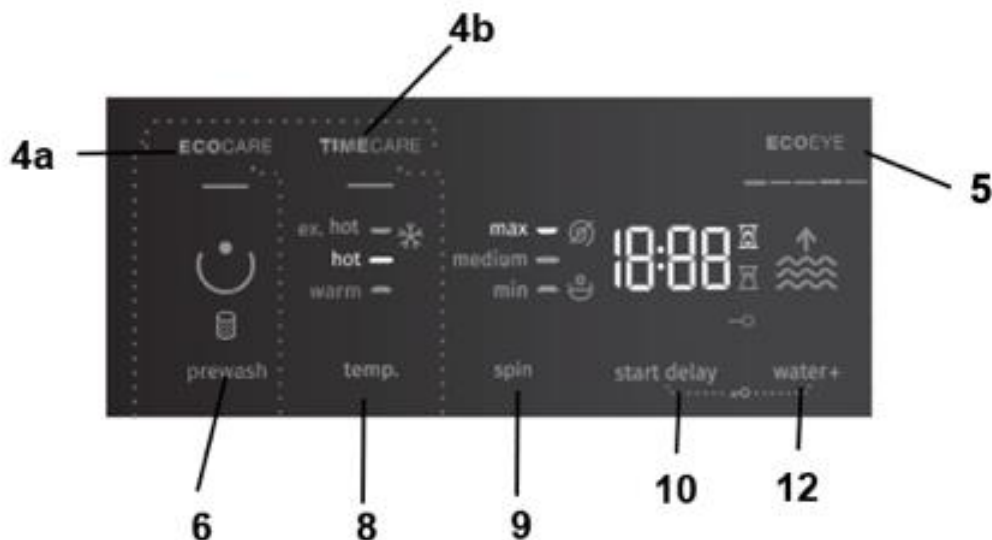
\* Cold wash

## Choosing the Proper Settings

Most washing programs feature specific settings, which can be adjusted by pressing the relevant functional buttons before starting the wash cycle. Activate and deactivate any setting by pressing the desired function before pressing the START/PAUSE button:



- Functions on the machine display, which are fully lit, are the basic or preset settings.
- Dimmed or partially lit functions can be adjusted.
- Unlit functions cannot be changed during that particular washing program.





### Washing Mode

- NORMALCARE: The basic/default setting
- ECO-CARE (4a): This mode will save energy, and water consumption will be lower than the default setting. The washing time will be longer.
- TIME-CARE (4b): This mode will shorten the washing time, but it will use more water.

### Washing Temperature


- Temp. (8): This button selects the water temperature for a particular wash cycle.

### Spin

- Spin (9): This button adjusts the rate at which the clothes spin during the wash cycle.
- If you select draining without spinning, the  symbol will appear on the control panel.
- If you select PUMP STOP, the  symbol will appear. Use this mode to keep the water from the last rinse cycle in the wash drum to prevent clothes from creasing, or if you are unable to remove the clothes from the washing machine immediately after the cycle is complete.
  - To resume the spin cycle, press the START/PAUSE button. The water will drain out, and the final spin cycle will run.

## **Start Delay**

This function prevents the washing cycle from starting until after a set amount of time has elapsed.

- Press the Start/Delay (10) button, and the  symbol will be lit. Adjust the delay time in 30-minute increments, up to six hours, and by 1-hour increments, up to 24 hours. Press the START/PAUSE button to confirm the delay time.

**NOTE:** If nothing is pressed after inputting the delay time, the actual washing time will be displayed.

- To change the Start/Delay function once it's been set, press and hold the ON/OFF/RESET button. Then, press the Start/Delay button to select a new delay time, and confirm the new time by pressing the START/PAUSE button again.

## **Additional Settings**

### **ECOEYE**

This setting (5) displays information about water and power consumption based on which washing program and any extra settings/function are selected. The more ECOEYE indicator lights are lit, the lower water and power consumption is being used during that particular wash cycle. The fewer ECOEYE indicator lights are lit, the higher water and power consumption is being used.

### **Prewash**

Washing heavily soiled clothes, particularly with stubborn or superficial stains, may require a prewash before the actual washing cycle. Add detergent to the prewash compartment if you are using this setting.

**NOTE:** If you have the Start/Delay function activated and you are using liquid detergent, using the prewash is recommended.

### **Water Level**

This indicates when a higher amount of water is being used, typically during an additional rinse cycle.



Basic/default setting



Level 1 – higher water level




Level 2 – higher water level with an extra rinse cycle

## Starting the Washing Machine

- Once the proper wash program and settings have been selected, press the START/PAUSE button to begin the washing cycle. The symbols displayed on the control panel correspond to the specific settings for the washing cycle.
  - After the wash cycle begins, only the spin and child lock can be activated/deactivated.

**NOTE:** If any indicators on the control panel are flashing, the door of the washing machine is open or not closed properly. Close the washing machine door, and press the START/PAUSE button again to resume the washing program.

## Changing the Washing Program and Manual Cancellation

- Press and hold the ON/OFF/RESET button for three seconds to stop and cancel a washing cycle.
- The remaining wash time and the  symbol will flash when the washing program is temporarily paused. The washer door will unlock once the water is drained from the washer cylinder. To resume the washing program, close the washer door and press the START/PAUSE button again.

## Adding/Removing Laundry During the Washing Program

Clothes can be added or removed from the washer cylinder if the water level and temperature are below a standard threshold.

In order to add or remove laundry from the washing machine during program operation:

1. Press the START/PAUSE button.
2. Open the washing machine door

## Low Standby Mode

- If you do not run any program or choose any settings after switching on the washing machine (ON/ OFF/RESET button (1)), the display unit will be switched off after 5 minutes and switched to stand-by mode in order to save energy.
- The display unit will be reactivated if you rotate the program selector knob (2) or press the ON/ OFF/RESET button (1). If you do not do anything for 5 minutes after the end of a program, the display will be switched off to save power.

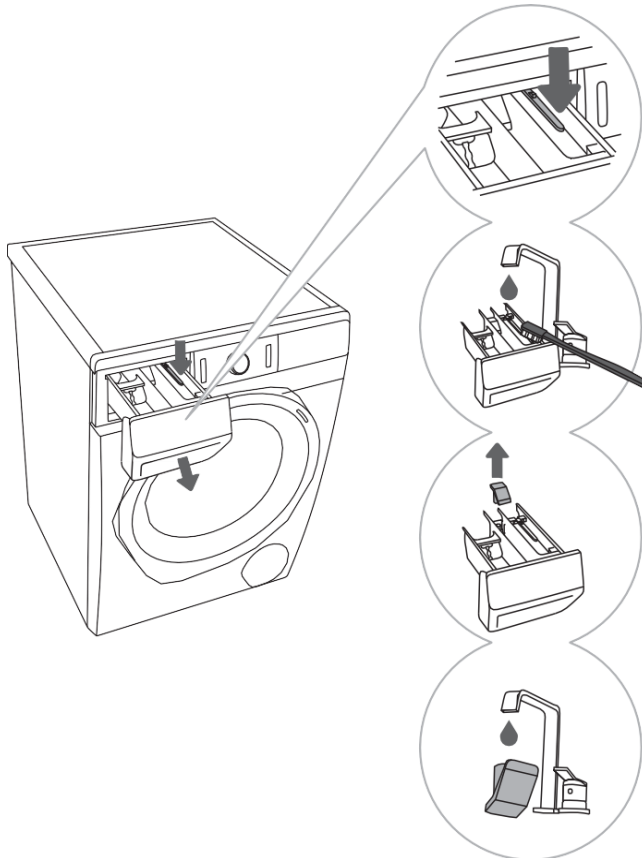
$P_o$ = weighted power when off [W]	< 0.5
$P_I$ = weighted power when in standby [W]	< 0.5
$T_I$ = standby time [min]	5

# MAINTENANCE AND CLEANING

**CAUTION:** *Unplug the washing machine from the power supply before cleaning.*

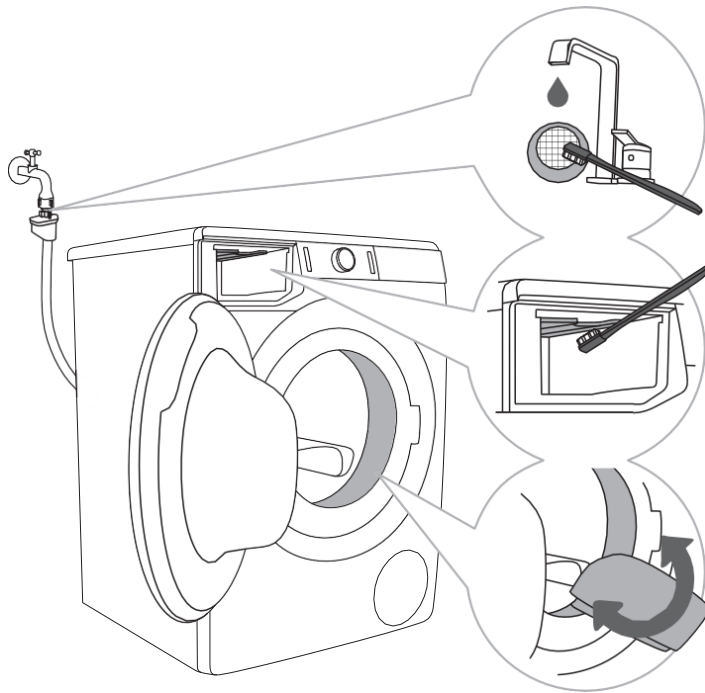
Clean the exterior of the washing machine with a soft, damp cloth and warm water. DO NOT use any solvents or cleaners, which could damage the washing machine.

## Cleaning the Dispenser Tray



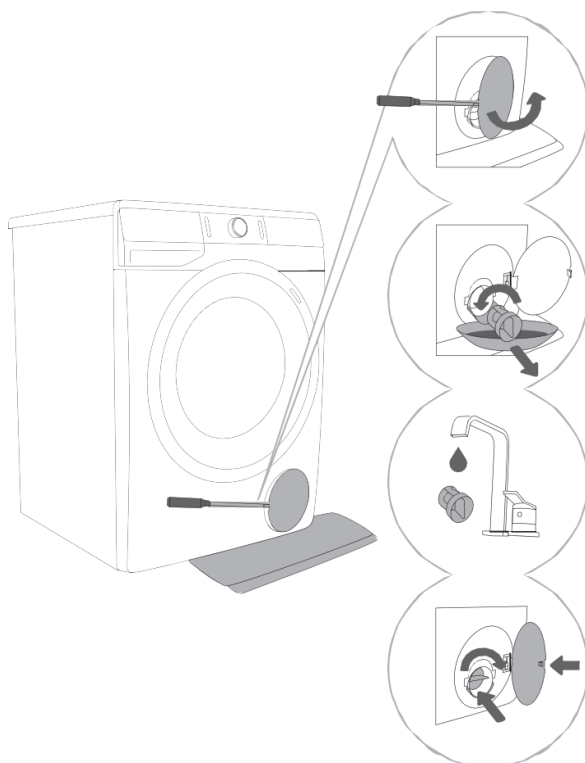
1. Slide the dispenser tray housing, located on the top left of the front of the machine, out of the machine. Press the small tab to remove the dispenser tray from the housing.
2. Run the dispenser tray under running water, using a brush to clean the tray, and then dry it with a soft cloth. Be careful to remove any detergent residue from the bottom of the tray housing.
3. Remove and clean the plug cap by running it under water.
4. Dry the plug cap with a soft cloth, and replace the plug cap into the dispenser tray.

## Cleaning the Water Supply Hose, Detergent Dispenser, and Door Gasket



1. Unscrew the water intake hose, and remove the water net filter. Clean the filter with a toothbrush under running water.
2. Replace the water net filter into the water intake hose.
3. Clean the entire washing machine rinsing section, using a brush, especially the upper side of the rinsing chamber.
4. Wipe the rubber door seal after every wash to extend its usability.

## Cleaning the Pump Filter



1. Open the pump filter cap using a suitable tool, such as a flat head screwdriver.
2. Remove the water outlet funnel before cleaning the pump filter.
3. Slowly rotate the pump filter in a counter-clockwise direction. Remove the pump filter to allow any water to slowly drain out of the machine.


**NOTE:** It is recommended to place an absorbent cloth on the floor in front of the machine.





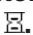
4. Clean the pump filter under running water.
5. Replace the pump filter, turning it clockwise to secure in the machine. Cleaning the filter gasket will ensure a good seal.

# TROUBLESHOOTING

If any irregularities occur during normal operations, E: XX will display on the control panel. This will be displayed until the machine is switched off. Try the suggestions below to see if you can solve the problem.

Problem/ Error	Indication on the display unit and problem description	What to do?
<b>E0</b>	<b>Incorrect settings</b>	Restart the program. If the error occurs again, call a service technician.
<b>E1</b>	<b>Temperature sensor error</b>	Inlet water too cold. Repeat the washing program.  If the washing machine reports this error again, call a service technician.
<b>E2</b>	<b>Door lock error</b>	Make sure the washing machine door is closed. Unplug the power cord from the outlet. Plug the power cord back into the outlet, and turn on the washing machine.  If the error occurs again, call a service technician.
<b>E3</b>	<b>Water filling error</b>	Check the following: <ul style="list-style-type: none"> <li>• Is the water inlet valve open?</li> <li>• Is the filter on the water supply hose clean?</li> <li>• Is the water supply hose deformed (clipped, clogged etc.)?</li> <li>• Is the pressure in the water mains between 0.05 and 0.8 MPa (7.25-116psi)?</li> </ul> Then, press the (3) <b>START/PAUSE</b> button to resume the program. If the error reoccurs, call a service technician.
<b>E6</b>	<b>Water heating error</b>	Restart the program. If the error reoccurs, call a service technician.
<b>E7</b>	<b>Water draining error</b>	Check the following: <ul style="list-style-type: none"> <li>• Is the pump filter clean?</li> <li>• Is the discharge hose clogged?</li> <li>• Is the drain clogged?</li> <li>• Is the discharge hose is placed between the maximum and the minimum height (see the <b>INSTALLATION AND CONNECTION/</b> Connecting and securing the water discharge hose section).</li> </ul> Then, press the (3) <b>START/PAUSE</b> button again. If the error reoccurs, call a service technician.

<b>E10</b>	<b>Water level sensor error</b>	Unplug the power cord from the outlet. Then, plug the power cord back into the outlet, and turn the washing machine on. If the error reoccurs, call a service technician.
<b>E11</b>	<b>Water overflow error</b>	If there is water in the drum that exceeds a certain level, and an error is reported on the display unit, the washing program will be stopped and the water will be pumped out of the washing machine. Restart the program. If the error reoccurs, call a service technician. If there is water in the drum that exceeds a certain level, an error is reported on the display unit, and the washing machine continues to add water, close the water tap and call a service technician.
<b>E12</b>	<b>Motor control error</b>	Restart the program. If the error reoccurs, call a service technician.
<b>E22</b>	<b>Error while locking the door</b>	The door is closed, but it cannot be locked. Turn the washing machine off. Turn the machine back on and restart the washing program. If the error reoccurs, call a service technician.
<b>E23</b>	<b>Error while unlocking the door</b>	The door is closed, but it cannot be unlocked. Turn off the washing machine, then turn it back on. If the error reoccurs, call a service technician. To open the door, see the INTERRUPTIONS AND CHANGING THE PROGRAM section.
<b>E36</b>	<b>Electronics communication failure in the washing machine</b>	Unplug the power cord from the outlet. Plug the power cord back into the outlet, and turn the washing machine on. If the error reoccurs, call a service technician.
<b>E37</b>	<b>Electronics communication failure in the washing machine</b>	Unplug the power cord from the outlet. Plug the power cord back into the outlet, and turn the washing machine on. If the error reoccurs, call a service technician.
	<b>Water drain system alert</b> <b>Symbol will appear</b>	Alert about reduced water flow in the pumping stage. Check the following: <ul style="list-style-type: none"> <li>• Is the pump filter clean?</li> <li>• Is the discharge hose clogged?</li> <li>• Is the drain clogged?</li> <li>• Is the discharge hose placed between the maximum and the minimum height (see chapter »INSTALLATION AND CONNECTION/Connecting and</li> </ul>

		securing the water discharge hose«).
	<b>Unevenly distributed laundry.</b> <b>When the washing program is complete, the symbol  will remain lit on the display unit.</b>	Manually distribute the laundry and run the spinning program. See additional description under TROUBLESHOOTING TABLE.
<b>cln</b>	<b>System warning to run the Steril tub (Self-cleaning program)</b>  After the washing program is complete, the signs »cln« and »End« will alternate on the display unit.	We recommend running the Steril tub (Self- cleaning) program.
<b>PF</b>	<b>Power supply failure warning (»PF«/Power Failure)</b>	The washing process was interrupted, due to power supply failure. To restart, press the (3) START/PAUSE button.
	<b>Unresponsive display unit and buttons</b>	Manually (physically) stop the program by pressing the button (1) ON/OFF/RESET and hold it for more than 3 seconds. Unplug the power cord from the outlet. Plug the power cord back into the outlet and turn washing machine on. If the error reoccurs, call a service technician.
	<b>Washing machine standing by, ready to resume the washing program</b> <b>The time remaining until program completion is alternately lit and off on the display unit .</b>	To resume the washing program, press the button (3) START/PAUSE, or manually (physically) stop the program and press the button (1) ON/OFF/RESET and hold it for more than 3 seconds.
	<b>Preparation for unlocking the door</b> <b>Signal lights will flash on the display unit.</b>	Wait until the process is completed. If no error is indicated, then a new program can be started. Water has to be drained. Wait for the door to unlock.

If your appliance shows other symptoms than those described above, or if you have checked all items listed as the cause and the problem still exists, then call Summit Appliance Customer Service at **1-800-932-4267**.

**NOTE:** If contacting a service technician, please provide your washing machine's model number, type, and serial number, located on the unit's rating label.

# DISPOSAL

This washer's packaging is made of environmentally friendly materials that can be recycled, disposed of, or destroyed without any hazard to the environment.




This symbol on the product or its packaging indicates that the product should not be treated as normal household waste. Take the product to an authorized collection center for waste, electric, and electronic equipment processing.

Remove all power cords, and destroy the door latch and switch to prevent the door from locking or latching when disposing of the washing machine at the end of its useful life.

Correct disposal of the product will help prevent any negative effects on the environment and health of people, which could occur in the case of incorrect product removal. For detailed information on removal and processing of the product, please contact the relevant municipal body in charge of waste management, your waste disposal service, or the store where you bought the product.

# PROGRAM DURATION AND RATE TABLE

Programs	Temp.	NORMALCARE (basic/default setting)	SPIN (SPINNING RATE)
		Washing time [minutes]	[rpm]
Cotton black	WARM	77	* MAX
Cotton color	HOT	182	* MAX
	WARM	192	
	*	94	
Cotton white	EXTRA HOT	200	* MAX
	HOT	174	
	WARM	184	
Mix (Mixed laundry/Synthetics)	HOT	129	* MAX
	WARM	117	
	*	74	
Wool 	WARM	60	* MAX
	*	45	
Heavy duty	EXTRA HOT	85	* MIN
	HOT	65	* MIN
	WARM	55	* MIN
	*	50	* MIN
Power 59'	WARM	59	* MAX
Steril tub (Self-cleaning program)	-	112	-
Rinse/Softening (Partial program)	-	29	* MAX
Spin/Drain (Spinning rate/ Drain) (Partial program)	-	17	* MAX
Sports (Sportswear)	WARM	60	* MAX
Down wear	WARM	67	* MAX
	*	55	
Allergy care	EXTRA HOT	190	* MAX
	HOT	165	
	WARM	145	
Auto wash	WARM	106	* MAX

MAX (MAXIMUM spinning rate, depending on the selected program) MIN (MINIMUM spinning rate)

\* Cold wash

# NOTES



# LIMITED WARRANTY

## ONE-YEAR LIMITED WARRANTY

Within the 48 contiguous United States, for one year from the date of purchase, when this appliance is operated and maintained according to instructions attached to or furnished with the product, warrantor will pay for factory-specified parts and repair labor to correct defects in materials or workmanship. Service must be provided by a designated service company. Outside the 48 states, all parts are warranted for one year from manufacturing defects. Plastic parts, shelves and cabinets are warranted to be manufactured to commercially acceptable standards, and are not covered from damage during handling or breakage.

### **ITEMS WARRANTOR WILL NOT PAY FOR:**

1. Service calls to correct the installation of your appliance, to instruct you how to use your appliance, to replace or repair fuses or to correct wiring or plumbing.
2. Service calls to repair or replace appliance light bulbs or broken shelves. Consumable parts (such as filters) are excluded from warranty coverage.
3. Damage resulting from accident, alteration, misuse, abuse, fire, flood, acts of God, improper installation, installation not in accordance with electrical or plumbing codes, or use of products not approved by warrantor.
4. Replacement parts or repair labor costs for units operated outside the United States.
5. Repairs to parts or systems resulting from unauthorized modifications made to the appliance.
6. The removal and reinstallation of your appliance if it is installed in an inaccessible location or is not installed in accordance with published installation instructions.

### **DISCLAIMER OF IMPLIED WARRANTIES – LIMITATION OF REMEDIES**

CUSTOMER'S SOLE AND EXCLUSIVE REMEDY UNDER THIS LIMITED WARRANTY SHALL BE PRODUCT REPAIR AS PROVIDED HEREIN. IMPLIED WARRANTIES, INCLUDING WARRANTIES OF MERCHANTABILITY OR FITNESS FOR A PARTICULAR PURPOSE, ARE LIMITED TO ONE YEAR. WARRANTOR SHALL NOT BE LIABLE FOR INCIDENTAL OR CONSEQUENTIAL DAMAGES. SOME STATES DO NOT ALLOW THE EXCLUSION OR LIMITATION OF INCIDENTAL OR CONSEQUENTIAL DAMAGES, OR LIMITATIONS ON THE DURATION OF IMPLIED WARRANTIES OF MERCHANTABILITY OR FITNESS, SO THESE EXCLUSIONS OR LIMITATIONS MAY NOT APPLY TO YOU. THIS WARRANTY GIVES YOU SPECIFIC LEGAL RIGHTS AND YOU MAY ALSO HAVE OTHER RIGHTS, WHICH VARY FROM STATE TO STATE.



**WARNING:** This product can expose you to chemicals including Nickel (Metallic) which is known to the State of California to cause cancer.

For more information go to [www.P65Warnings.ca.gov](http://www.P65Warnings.ca.gov)

Note: Nickel is a component in all stainless steel and some other metallic compositions.

**Summit Appliance**  
Division of Felix Storch, Inc.  
An ISO 9001:2015 registered company  
770 Garrison Avenue  
Bronx, NY 10474  
[www.summitappliance.com](http://www.summitappliance.com)

**SUMMIT**  
A P P L I A N C E

For parts and accessory ordering,  
troubleshooting and helpful hints, visit:  
[www.summitappliance.com/support](http://www.summitappliance.com/support)