

INSTALLATION OPERATION AND SERVICE MANUAL

CUISINE C SERIES COMMERCIAL RANGES, ADD-A-UNITS, MODULAR RANGES, AND CHAR BROILERS



FOR YOUR SAFETY:
DO NOT STORE OR USE GASOLINE
OR OTHER FLAMMABLE VAPORS OR
LIQUIDS IN THE VICINITY OF
THIS OR ANY OTHER
APPLIANCE

WARNING:
IMPROPER INSTALLATION, ADJUSTMENT,
ALTERATION, SERVICE OR MAINTENANCE
CAN CAUSE PROPERTY DAMAGE, INJURY,
OR DEATH. READ THE INSTALLATION,
OPERATING AND MAINTENANCE
INSTRUCTIONS THOROUGHLY
BEFORE INSTALLING OR
SERVICING THIS EQUIPMENT

PLEASE READ ALL SECTIONS OF THIS MANUAL
AND RETAIN FOR FUTURE REFERENCE.

THIS PRODUCT HAS BEEN CERTIFIED AS
COMMERCIAL COOKING EQUIPMENT AND
MUST BE INSTALLED BY PROFESSIONAL
PERSONNEL AS SPECIFIED.

IN THE COMMONWEALTH OF MASSACHUSETTS
THIS PRODUCT MUST BE INSTALLED BY A
LICENSED PLUMBER OR GAS FITTER. APPROVAL
NUMBER: G-1-07-05-28

For Your Safety:
Post in a prominent location, instructions to be
followed in the event the user smells gas. This
information shall be obtained by consulting
your local gas supplier.

Users are cautioned that maintenance and repairs must be performed by a Garland authorized service agent using genuine Garland replacement parts. Garland will have no obligation with respect to any product that has been improperly installed, adjusted, operated or not maintained in accordance with national and local codes or installation instructions provided with the product, or any product that has its serial number defaced, obliterated or removed, or which has been modified or repaired using unauthorized parts or by unauthorized service agents. For a list of authorized service agents, please refer to the Garland web site at <http://www.garland-group.com>. The information contained herein, (including design and parts specifications), may be superseded and is subject to change without notice.

Original Document

IMPORTANT INFORMATION

WARNING:

This product contains chemicals known to the state of California to cause cancer and/or birth defects or other reproductive harm. Installation and servicing of this product could expose you to airborne particles of glass wool/ceramic fibers. Inhalation of airborne particles of glass wool/ceramic fibers is known to the state of California to cause cancer. Operation of this product could expose you to carbon monoxide if not adjusted properly. Inhalation of carbon monoxide is known to the state of California to cause birth defects or other reproductive harm.

Keep appliance area free and clear of combustibles.

TABLE OF CONTENTS

IMPORTANT INFORMATION.....	2	Seasoning.....	21
SPECIFICATIONS.....	4	Griddle Seasoning.....	21
Table A: Gas Pressures.....	4	Seasoning Cast Iron Top Grates.....	21
Table B: Model Designations.....	4	Cleaning.....	21
Table C: Input Rating.....	9	General Cleaning.....	21
INTRODUCTION.....	10	Stainless Steel Exterior and Standard Oven	
Uncrating.....	10	Interior Finishes.....	22
Rating Plate.....	10	Oven Interior (Optional Porcelain Enamel Finish).....	22
INSTALLATION.....	10	Griddle Cleaning.....	23
Clearances to Combustible Construction.....	10	Open Top Burners.....	23
Installation Procedure.....	10	Cast Iron Top Grates.....	23
Siting.....	11	Cast Iron Hot tops and Spectro-Heat Tops.....	23
Appliance Equipped With Casters.....	11	Broiler Cleaning.....	24
Appliances Equipped With Legs.....	11	C36-NRR/C36-NRC Models.....	24
Installation Instructions for Cuisine Stub Backguard.....	11	C36-ABR/C36-ABC Models.....	24
Installation Instructions for Cuisine Back Risers.....	12	C36-ARR/C36-ARC Models.....	24
Installation Instructions For Cuisine Single		Adjustments.....	24
And Double Deck High Shelves.....	12	Oven Orifice.....	24
Installation Instructions For		Pilot Adjustments.....	24
Cuisine Salamander or Cheese Melter.....	13	Automatic Pilot Valve.....	25
Statutory Regulations.....	13	Burner Gas/Air Adjustments.....	25
Gas Supply.....	13	CONVECTION OVEN PRODUCT APPLICATION.....	25
Gas Supply Notes:.....	14	PROBLEM/SOLUTIONS CONVECTION OVEN.....	26
Gas Connection.....	14	SERVICING.....	27
Electrical Supply (Models with Convection Oven only).....	14	Thermostat Calibration.....	27
Assembly of Battery.....	15	Cleaning/Servicing Burners.....	27
Ventilation And Air Supply.....	15	Open-Type Burners.....	27
COMMISSIONING.....	16	Front Fired Solid Top Burners.....	27
Pressure Regulators.....	16	Solid Hot Plate/Griddle Burners.....	27
Testing and Adjustments.....	16	Standard Oven Burners.....	28
Pressure Settings (All Models).....	16	RC Oven Burners.....	28
Thermostat Bypass Adjustment – Oven.....	17	Broiler.....	28
Pilot Burner Adjustments.....	18	Pilot Burner Cleaning.....	28
General.....	18	Oven Top/Hot Top/Griddle/Broiler/Front Fired Top.....	28
Oven.....	18	Oven.....	28
Solid Hot Plate/Griddle.....	18	REPLACEMENT OF PARTS.....	29
Front Fired Hot Top.....	18	Gas Valves.....	29
Broiler.....	18	Oven Thermostat.....	29
OPERATION.....	18	Power Switch.....	30
Open Top Burners.....	18	Door Switch.....	30
Hot top and Spectro-Top Sections.....	18	Oven Pilot.....	30
Thermostatically Controlled Griddles.....	19	Convection Ovens - Spark Module.....	30
Valve Controlled Griddles.....	19	Convection Oven Motor.....	30
Oven (Standard).....	19	TROUBLESHOOTING GUIDE.....	31
"RC" Convection Ovens.....	20		
Unit Broilers.....	21		
Fryers.....	21		
MAINTENANCE AND CLEANING.....	21		



SPECIFICATIONS

Table A: Gas Pressures

SUPPLY GAS PRESSURE RANGE		
Type	Minimum	Maximum
Natural	7" W.C. (17.5 mbar)	14" W.C. (35 mbar)
Propane	11" W.C. (27.5 mbar)	14" W.C. (35 mbar)
MANIFOLD OPERATING PRESSURE		
Type	Natural	Propane
Ranges, Broilers	6" W.C. (15 mbar)	10" W.C. (25 mbar)

Table B: Model Designations

MODELS	DESCRIPTION
Standard Oven Base	
C36-1R	36" Griddle
C36-1-1R	36" Thermostatic Griddle
C36-2R	24" Griddle, (2) Open Burners (12" Top Grate)
C36-2-1R	24" Therm. Griddle, (2) Open Burners (12" Top Grate)
C36-3R	24" Griddle, 12" Hot Top
C36-3-1R	24" Therm. Griddle, 12" Hot Top
C36-4R	18" Griddle, (2) Open Burners (18" Top Grate)
C36-4-1R	18" Therm. Griddle, (2) Open Burners (18" Top Grate)
C36-5R	18" Griddle, 18" Hot Top
C36-5-1R	18" Therm. Griddle, 18" Hot Top
C36-6R	Six Open Burners – (3) 12" Top Grates
C36-6SUR	Six Open Burners (3 Are Step-up) – (6) Half Top Grates (12" Inch Wide Each)
C36-7R	Four Open Burners (2) 18" Top Grates
C36-8R	(3) 12" Hot Tops
C36-9R	(2) 18" Hot Tops
C36-10R	(2) 18" Front Fired Hot Tops
C36-11R	18" Hot Top (Left), 18" Front Fired Hot Top (Right) OR 18" Front Fired Hot Top (Left), 18" Hot Top (Right)
C36-12R	(2) Open Burners, 12" Top Grate (Left, Centre or Right), 12" Hot Top (Left or Centre), 12" Hot Top (Centre or Right)
C36-13R	12" Hot Top (Left, Right or Centre), (2) Open Burners, 12" Top Grate (Left or Centre), (2) Open Burners, 12" Top Grate (Centre or Right)
C36-14R	(2) Open Burners, 18" Top Grate (Left or Right), 18" Hot Top (Left or Right)
C36-15R	(3) 12" French Tops
C36-17R	(2) Open Burners, 18" Top Grate (Left or Right), 18" Front Fired Hot Top (Right or Left)



SPECIFICATIONS Continued

MODELS	DESCRIPTION
Convection Oven Base	
C36-1C	36" Griddle
C36-1-1C	36" Thermostatic Griddle
C36-2C	24" Griddle, (2) Open Burners (12" Top Grate)
C36-2-1C	24" Therm. Griddle, (2) Open Burners (12" Top Grate)
C36-3-C	24" Griddle, 12" Hot Top
C36-3-1C	24" Therm. Griddle, 12" Hot Top
C36-4-C	18" Griddle, (2) Open Burners (18" Top Grate)
C36-4-1C	18" Therm. Griddle, (2) Open Burners (18" Top Grate)
C36-5C	18" Griddle, 18" Hot Top
C36-5-1C	18" Therm. Griddle, 18" Hot Top
C36-6C	Six Open Burners – (3) 12" Top Grates
C36-6SUC	Six Open Burners (3 Are Step-up) – (6) Half Top Grates (12" Inch Wide Each)
C36-7C	Four Open Burners (2) 18" Top Grates
C36-8C	(3) 12" Hot Tops
C36-9C	(2) 18" Hot Tops
C36-10C	(2) 18" Front Fired Hot Tops
C36-11C	18" Hot Top (Left), 18" Front Fired Hot Top (Right) or 18" Front Fired Hot Top (Left), 18" Hot Top (Right)
C36-12C	(2) Open Burners, 12" Top Grate (Left, Centre or Right), 12" Hot Top (Left or Centre), 12" Hot Top (Centre or Right)
C36-13C	12" Hot Top (Left, Centre or Right), (2) Open Burners, 12" Top Grate (Left or Centre), (2) Open Burners, 12" Top Grate (Centre or Right)
C36-14C	(2) Open Burners, 18" Top Grate (Left), 18" Hot Top (Right) or (2) Open Burners, 12" Top Grate (Right), 18" Hot Top Grate (Left)
C36-15C	(3) 12" French Tops
C36-17C	(2) Open Burners, 18" Top Grate (Left or Right), 18" Front Fired Hot Top (Left or Right)
Storage Base (Open Cabinet)	
C36-1S	36" Griddle
C36-1-1S	36" Thermostatic Griddle
C36-2S	24" Griddle, (2) Open Burners (12" Top Grate)
C36-2-1S	24" Therm. Griddle, (2) Open Burners (12" Top Grate)
C36-3S	24" Griddle, 12" Hot Top
C36-3-1S	24" Therm. Griddle, 12" Hot Top
C36-4S	18" Griddle, (2) Open Burners (18" Top Grate)
C36-4-1S	18" Therm. Griddle, (2) Open Burners (18" Top Grate)
C36-5S	18" Griddle, 18" Hot Top
C36-5-1S	18" Therm. Griddle, 18" Hot Top
C36-6S	Six Open Burners – ((3) 12" Top Grates
C36-6SUS	Six Open Burners (3 Are Step-up) – (6) Half Top Grates (12" Inch Wide Each)
C36-7S	Four Open Burners (2) 18" Top Grates
C36-8S	(3) 12" Hot Tops
C36-9S	(2) 18" Hot Tops



SPECIFICATIONS Continued

MODELS	DESCRIPTION
Storage Base (Open Cabinet) Continued	
C36-10S	(2) 18" Front fired Hot Tops
C36-11S	18" Hot Top (Left), 18" Front Fired Hot Top (Right) or 18" Front Fired Hot Top (Left), 18" Hot Top (Right)
C36-12S	(2) Open Burners, 12" Top Grate (Left, Centre or Right), 12" Hot Top (Left or Centre), 12" Hot Top (Right or Centre)
C36-13S	12" Hot Top (Left, Centre or Right), (2) Open Burners, 12" Top Grate (Left or Centre), (2) Open Burners, 12" Top Grate (Centre or Right)
C36-14S	(2) Open Burners, 18" Top Grate (Left or Right), 18" Hot Top (Left or Right)
C36-15S	(3) 12" French Tops
C36-17S	(2) Open Burners, 18" Top Grate (Left or Right), 18" Front Fired Hot Top (Left or Right)
Modular "T" Top (On Square Tubular Legs)	
C36-1M	36" Griddle
C36-1-1M	36" Thermostatic Griddle
C36-2M	24" Griddle, (2) Open Burners (12" Top Grate)
C36-2-1M	24" Therm. Griddle, (2) Open Burners (12" Top Grate)
C36-3M	24" Griddle, 12" Hot Top
C36-3-1M	24" Therm. Griddle, 12" Hot Top
C36-4M	18" Griddle, (2) Open Burners (18" Top Grate)
C36-4-1M	18" Therm. Griddle, (2) Open Burners (18" Top Grate)
C36-5M	18" Griddle, 18" Hot Top
C36-5-1M	18" Therm. Griddle, 18" Hot Top
C36-6M	Six Open Burners – (3) 12" Top Grates
C36-6SUM	Six Open Burners (3 Are Step-up) – (6) Half Top Grates (12" Inch Wide Each)
C36-7M	Four Open Burners (2) 18" Top Grates
C36-8M	(3) 12" Hot Tops
C36-9M	(2) 18" Hot Tops
C36-10M	(2) 18" Front Fired Hot Tops
C36-11M	18" Hot Top (Left), 18" Front Fired Hot Top (Right) or 18" Front Fired Hot Top (Left), 18" Hot Top (Right)
C36-12M	(2) Open Burners, 12" Top Grate (Left, Centre or Right), 12" Hot Top (Left or Centre), 12" Hot Top (Right or Centre)
C36-13M	12" Hot Top, (Left, Centre or Right), (2) Open Burners, 12" Top Grate (Left or Centre), (2) Open Burners, 12" Top
C36-14M	(2) Open Burners, 18" Top Grate (Left or Right), 18" Hot Top (Left or Right)
C36-15M	(3) 12" French Tops
C36-17M	(2) Open Burners, 18" Top Grate (Left or Right), 18" Front Fired Hot Top (Left or Right)



SPECIFICATIONS Continued

MODELS	DESCRIPTION
Char-Broilers on Standard Oven Base	
C36-ABR	Lava Rock W/Adjustable Grates – 36" Wide
C36-ARR	Cast Iron Radiants W/Adjustable Grates – 36" Wide
C36-NRR	Cast Iron Radiants W/Non-Adjustable Grates – 36" Wide
Char-Broilers on Convection Oven Base	
C36-ABC	Lava Rock W/Adjustable Grates – 36" Wide
C36-ARC	Cast Iron Radiants W/Adjustable Grates – 36" Wide
C36-NRC	Cast Iron Radiants W/Non-Adjustable Grates – 36" Wide
Range Match Char-Broilers on Storage Base (Open Cabinet)	
C24-ABS	Lava Rock W/Adjustable Grates – 24" Wide
C36-ABS	Lava Rock W/Adjustable Grates – 36" Wide
C24-ARS	Cast Iron Radiants W/Adjustable Grates – 24" Wide
C36-ARS	Cast Iron Radiants W/Adjustable Grates – 36" Wide
C24-NRS	Cast Iron Radiants W/Non-Adjustable Grates – 24" Wide
C36-NRS	Cast Iron Radiants W/Non-Adjustable Grates – 36" Wide
Modular "T" Top Char-Broilers on Square Tubular Legs	
C24-NRM	Cast Iron Radiants W/Non-Adjustable Grates – 24" Wide
C36-NRM	Cast Iron Radiants W/Non-Adjustable Grates – 36" Wide
12" Wide, Add-A-Units with Storage Base (Open Cabinet)	
C12-1S	12" Griddle
C12-1-1S	12" Thermostatic Griddle
C12-6S	(2) Open Burners (12" Top Grate)
C12-8S	12" Hot Top
C12-15S	12" French Top
18" Wide, Add-A-Units with Modular Top/Square Tubular Legs	
C18-1M	18" Griddle
C18-1-1M	18" Thermostatic Griddle
C18-7M	(2) Open Burners (18" Top Grate)
C18-9M	18" Hot Top
C18-10M	18" French Top
18" Wide, Add-A-Units with Storage Base (Open Cabinets)	
C18-1S	18" Griddle
C18-1-1S	18" Thermostatic Griddle
C18-7S	(2) Open Burners (18" Top Grate)
C18-9S	18" Hot Top
C18-10S	18" French Top



SPECIFICATIONS Continued

MODELS	DESCRIPTION
Additional Griddle Models	
48" Wide Units	
C48-1R	36" Std. Oven Base + 12" Storage Base + 48" Manual Griddle Top
C48-1-1R	36" Std. Oven Base + 12" Storage Base + 48" Therm. Griddle Top
C48-1C	36" RC Oven Base + 12" Storage Base + 48" Manual Griddle Top
C48-1-1C	36" RC Oven Base + 12" Storage Base + 48" Therm. Griddle Top
C48-1S	36" Storage Base + 12" Storage Base + 48" Manual Griddle Top
C48-1-1S	36" Storage Base + 12" Storage Base + 48" Therm. Griddle Top
C48-1M	48" Modular Top + 48" Manual Griddle Top
C48-1-1M	48" Modular Top + 48" Thermostatic Griddle Top

PREFIX DEFINITIONS:		SUFFIX DEFINITIONS:	
C	Cuisine	A	Broiler
		M	Modular Top Section
		C	Unit With Convection Oven
		R	Unit With Standard Oven
		SU	Step Up Burner
		S	Unit With Storage Base



SPECIFICATIONS Continued

Table C: Input Rating

Model Number	GAS TYPE	
	Natural (@ 6"W.C.)	Propane (@ 10"W.C.)
	BTU/HR	BTU/HR
Open Burner for Models: C36-2,-2-1,-6,-6SU,-12,-13,-15(Front)	35,000	33,000
Open Burner for Models: C36-4,-4-1,-7,-14,-17	40,000	38,000
C36-15 Rear hot-top burner	15,000	15,000
C36-10,-11,-17 Front fired hot top burner	12,500	12,500
C36-3,-3-1,-8,-12,-13,-12" Hot top burner	25,000	25,000
C36-5,-5-1,-9,-11,-14, 18" Hot top burner	32,500	32,500
C36-1,-1-1,-2,-2-1,-3,-3-1,-4,-4-1,-5,-5-1 Griddle burner	30,000	30,000
C36 Convection Oven burner	37,000	35,000
C24/36-AB Broiler burner	45,000	45,000
C18-NR, C24/36-AR, -NR Broiler burner	18,000	18,000
C36 Std oven burner	40,000	35,000

(Note: data applied to operation at elevation from sea level to 2000 ft)



INTRODUCTION

Uncrating

1. Check crate for possible damage sustained during transit. Carefully remove unit from crate and again check for damage. Any damage to the appliance must be reported to the carrier immediately.
2. The wires for retaining the burners and other packing material must be removed from units. Any protective material covering stainless steel parts must also be removed.
3. All equipment is shipped from the factory with legs fitted, unless otherwise specified. Where the range is to be mounted on a dias or cove base, it is shipped without legs. Legs must be fitted to the oven where it is installed on a combustible floor.
4. The type of gas and supply pressure that the equipment was set-up for at the factory is noted on the data plate and on the packaging. This type of gas supply must be used.
5. Do not remove permanently affixed labels, warnings or data plates from the appliance, for this may invalidate the manufacturer's warranty.

Rating Plate

Every cooking unit has a rating plate. Information on this plate includes model and serial numbers. Knowing the equipment model and serial number is essential if spare parts are required or for discussing equipment problems with Garland's technical support staff. Other information on the rating plate indicates BTU/hr input of the burners, manifold gas pressure in inches water column (WC) and whether orifices are for natural or propane gas. The following table gives the location of the rating plate on the designated models, and Table B in the Specification Section lists the various models of heavy duty equipment in the U.S. range gas operated Cuisine series.

MODEL WITH SUFFIX	LOCATION
R or C	Behind the lower kick panel
S	In the storage cabinet on the left hand side panel
M	On the front panel

NOTE: Cuisine heavy duty gas operated equipment must be connected only to the type of gas identified on the rating plate!

INSTALLATION

Clearances to Combustible Construction

MODELS	CLEARANCES
C36-ARR/-ARC	Installation in Non-Combustible Locations Only with 0" Side & Rear Clearance
C36-NRR/-NRC	
C24/C36-ABS	
C24/C36-ARS	
C18/C24/C36-NRS	
C18/C24/C36-NRM	
All Other Models	10" (254mm) Side, 6" (152mm) Rear, from combustible walls.

1. All models may be installed with 0" side and rear clearance from non-combustible construction.

NOTE: When installed without legs on a non-combustible curb or platform, front of unit should extend at least 3 inches (76mm).

NOTE: Adequate clearance must be provided for servicing and proper operation.

Installation Procedure

1. Remove all packing material.
2. Remove the front valve panel.

INSTALLATION Continued

- Place the appliance in the required position and level by means of the adjustable feet, or shims if the appliance is not equipped with legs.
- Where spreader plates are installed between units the plate is secured at the front by means of the gas manifold and at the rear by means of the connecting bolts.
- Connect the gas supply pipe work to the appliance. The connection may be made to the left or right hand side of the appliance or optionally at the rear on some models.

Siting

The floor on which the appliance is to be sited must be capable of adequately supporting the weight of the appliance and any ancillary equipment.

Units with ovens must be fitted with legs if installed on a combustible floor. The equipment area must be kept free and clear of combustible substances.

Appliance Equipped With Casters

- The installation shall be made with a connector that complies with the Standard for Connectors for Moveable Gas Appliances, ANSI Z21.69/CSA 6.16, Addenda Z21.69B-2006/CSA 6.16B-2006 (or latest edition), and a quick-disconnect device that complies with the Standard for Quick Disconnects for Use with Gas Fuel, ANSI Z21.41/CSA 6.9, Addenda Z21.41A-2005/CSA 6.16A-2005 (or latest edition).
- The front casters of the unit are equipped with brakes to limit the movement of the oven without depending on the connector and any quick-disconnect device or its associated piping to limit the appliance movement.
- Please be aware, that the required restraint is attached to a bracket (which is located on the left rear caster) and if disconnection of the restraint is necessary, be sure to reconnect the restraint after the appliance has been returned to its originally installed position.

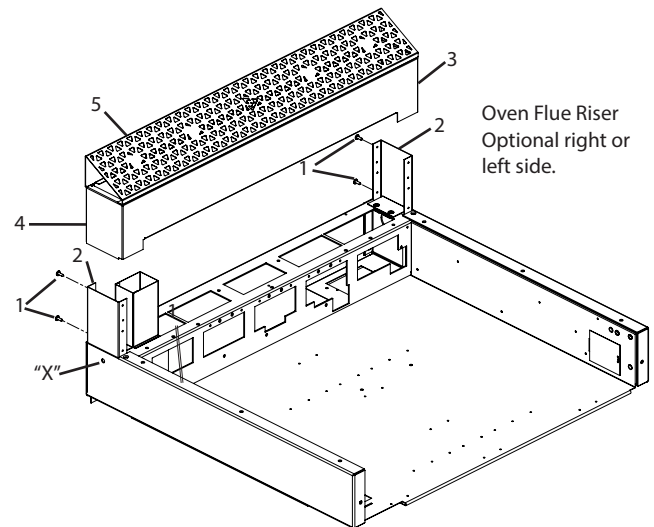
Appliances Equipped With Legs

Raise front of the unit and block. Do not lay unit on its back. Position leg insert into leg retainer opening and tap up until it seats at collar flange. Repeat at rear of unit making sure all four legs are adjusted to the same height. Legs can be

adjusted to overcome an uneven floor.

Installation Instructions for Cuisine Stub Backguard

Figure 1



- Remove four #10-24 self tap screws (item 1) from rear of uprights (item 2) installed in range and set aside.
- Install backguard assembly (item 3) over uprights (item 2) in range and reinstall screws removed in step 1 through holes in backguard back panel (item 4) and rear of top cap (item 5).
- If the range is in a battery line-up, fasten units together at hole marked "X" with 1/4" x 20 bolts, nuts and washers.

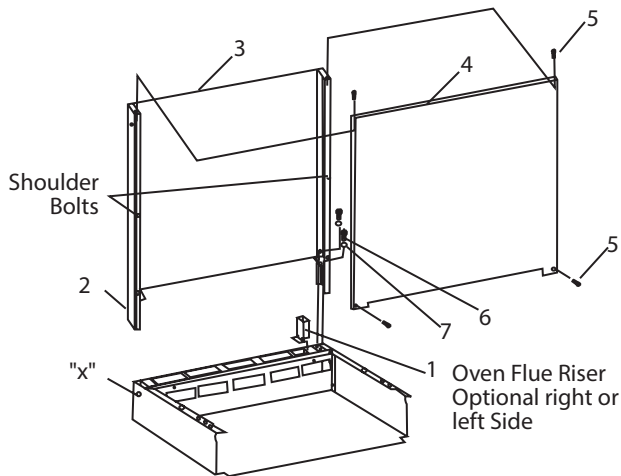
NOTE: Stub Backguard is shipped pre-assembled (with the range) as standard equipment on all Cuisine units, unless optional back riser or high shelf has been ordered.

INSTALLATION Continued

Installation Instructions for Cuisine Back Risers.

Double Deck Risers

Figure 2



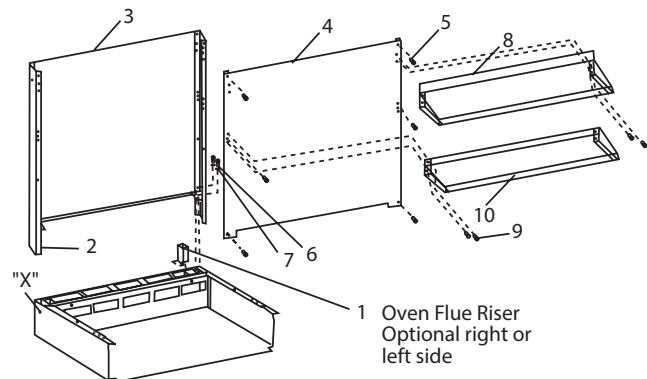
1. Remove four 5/16 hex bolts and flat washers from top rear of unit.
2. Remove four #10 x 1 1/4" long sheet metal screws (Item 5) from top and lower front corners of front panel. Remove front panel by lifting upwards and pulling outward to clear heads of shoulder bolts affixed to uprights (Item 2).
3. With back panel, (3), still attached to the uprights, (2), drop the uprights into the rectangular openings at the rear of the range.
4. Fasten the uprights, (2), to the range with four, 5/16" x 18 bolts and flat washers, (Item 6 & 7) removed in step one.
5. If the range is in a battery line-up fastens units together at hole marked "X" with 1/4-20 bolts, nuts and washers.
6. Reattach the front panel by placing notches in back of the front panel over heads of shoulder bolts and pulling panel down until the top of the front panel rests on top of uprights. This will allow shoulder bolts to lock panel in-place. Re-install sheet metal screws (Item 5) previously removed.

Single Deck Risers:

Follow instructions above for double-deck backriser but as there are no shoulder bolts involved in the single deck assembly, the installation and removal of the front panel only comprises assembly and disassembly of the four #10 x 1 1/4" long sheet metal screws (Item 5).

Installation Instructions For Cuisine Single And Double Deck High Shelves

Figure 3



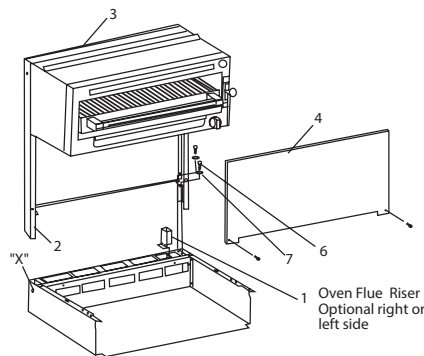
1. Remove four 5/16" x 18 hex bolts and flat washers from top rear of unit (Item 6 & 7).
2. Remove four (4) 1/4-20 locking acorn nuts securing shelf (Item 9). Remove shelf.
3. Remove (6) #10 sheet metal screws (Item 5) that affix front panel (Item 4) to uprights (Item 2).
4. With back panel (3) still attached to uprights (2), drop the uprights into the rectangular openings at the rear of the range.
5. Fasten the uprights (2) to the range with four (4) 5/16" x 18 bolts and flat washers previously removed.
6. If the appliance is in a battery line-up, fasten unit together at hold marked "X" with 1/4 - 20 bolts, nuts and washers.

INSTALLATION Continued

7. Reattach the front panel by first aligning clearance holes with studs in uprights and then re-installing sheet metal screws (Item 5) previously removed.
8. After installing front panel install shelf (Item 8) by hooking the top of shelf over the top of the front panel. Threaded studs on uprights will pass through clearance holes on rear of shelf. Fasten shelf to studs via 1/4 - 20 locking acorn nuts provided (Item 9).
9. For double deck shelves, mount the lower shelf (one with flat back and no upper hook) to uprights through front panel via locking nuts (Item 9) provided to 1/4" - 20 threaded studs on uprights.

Installation Instructions For Cuisine Salamander or Cheese Melter

Figure 4



1. Remove four 5/16 x 18 hex bolts and flat washers (Items 6 & 7) from rear top of unit.
2. Remove front panel, (4), by removing two, (2), sheet metal screws from the underside of the salamander or cheesemelter.
3. With back panel, (3), still attached to the uprights, (2), drop the uprights into the rectangular openings at the rear of the range.
4. Fasten the uprights (2), to the range with four, (4) 5/16" x 18 and flat washers, (6 & 7) removed previously.
5. If the range is in a battery line-up, fasten units together at hole marked "X" with 1/4 - 20 bolts, nuts and washers.
6. Reattach the front panel, (4) to the salamander or Cheesemelter with sheet metal screws previously removed.

Installation Instructions For Cuisine Modular Units on Delfield Refrigeration Bases

Polar Cuisine refrigeration bases from Delfield have a U-channel welded across the back and are provided with spring loaded T-nuts in the channel. Using the brackets and bolts supplied with the modular unit, clamp the rear corners of the unit to the U-channel of the refrigeration base by bolting the brackets to the T-nuts in the channel. See photo below.



Clamp bolt (provided with Cuisine Modular Unit)

Rail clamp (provided with Cuisine Modular unit)

Statutory Regulations

The installation of this appliance must be carried out by a competent person and in accordance with the relevant regulations, codes of practice and the related publications of the country of destination.

Gas Supply

The local gas authority should be consulted at the installation planning stage in order to establish the availability of an adequate supply of gas and to ensure that the meter is adequate for the required flow rate. The pipe work from the meter to the appliances must be of an appropriate size. Where a number of appliances are installed in a battery, no more than five should be served by any one supply pipe.

All fixed (non-mobile) appliances MUST be fitted with a manual gas cock-upstream of the appliance to provide a means of isolation for servicing or cleaning purposes. A union or similar means of disconnection must be provided between the gas cock and the appliance.

A manually operable valve must be fitted to the gas supply to the kitchen to enable it to be isolated in a emergency. Wherever the practical, this shall be located either outside the kitchen or near to an exit in a readily accessible position.

INSTALLATION Continued

Where it is not practical to do this, an automatic isolation valve system shall be fitted which can be operated from a readily accessible position near to the exit.

At locations where the manual isolation valve is fitted or the automatic system can be reset a notice **MUST** be fitted stating:

"ALL DOWNSTREAM BURNER AND PILOT VALVES MUST BE TURNED OFF PRIOR TO ATTEMPTING TO RESTORE THE SUPPLY AFTER EXTENDED SHUT OFF, PURGE BEFORE RESTORING GAS."

Gas Supply Notes:

Before assembly and connection check gas supply.

- A. The type of gas for which the unit is equipped is stamped on the data plate located behind the lower front panel. Connect a unit stamped "NAT" only to natural gas; connect one stamped "PRO" only to propane gas.
- B. If it is a new installation have the gas authorities check meter size and piping to assure that the unit is supplied with the necessary amount of gas pressure required to operate the unit.
- C. If it is additional or replacement equipment have gas authorities check pressure to make certain that existing meter and piping will supply fuel to the unit with not more than 1/2" water column pressure drop.

NOTE: When checking gas pressure be sure that all other equipment on the same gas line is on. A pressure regulator is not supplied as standard equipment with US Range Heavy Duty Equipment, however a 1-1/4" pressure regulator is sold as an option with the original purchase. If you would like to purchase a regulator after original purchase contact your equipment dealer. The installation must conform with the national Fuel Gas Code ANSI Z 223.1 -1988 or latest edition, NFPA No. 54 – latest edition and National Electrical Code ANSI/NFPA 70-1990 or latest edition and/or local code to assure safe and efficient operation. In Canada, the installation must comply with CAN/CGA-149.1 Natural Gas Installation Code, or CAN/CGA-B149.2 Propane Gas Installation code, and local codes where applicable.

In Canada, electrical connections must comply with applicable sections of the Canadian Electrical Code, C22.1 -1990, (or latest edition), "Safety Standard for Installation, Part 1" and C22.2 – No. 0-M 1982; (or latest edition), "General Requirements, Part 2".

Note: The appliance and its individual shut-off valve must be disconnected from the gas supply piping system during any

pressure testing of that system at pressures in excess of 1/2 PSIG (3.45 kPa).

The appliance must be isolated from the gas supply piping system by closing its individual manual shut-off (not supplied with appliance) during any testing of the gas supply piping system at test pressures equal to or less than 1/2 PSIG (3.45kPa).

NOTE: This appliance is not recommended for residential installation.

Gas Connection

The gas pipe connection is made at the left hand side or right hand side of the equipment or optionally at rear on some units.

Note: If the gas connection to the unit is via a flexible gas hose be sure cable restraints are assembled to the unit.

The size of the pipe work supplying the appliance must not be less than the inlet connection, which is 1 1/4" NPT. (Note: a 3/4" NPT single unit optional connection must be specified.) An isolating valve is recommended to be close to and upstream of the appliance and regulator to allow for shutdown during an emergency or routine servicing. A gas pressure regulator must be installed at the appliance prior to connecting the equipment to the gas supply (service) line. Failure to install a regulator will void the equipment warranty. After installation, be certain to check the complete pipe work for leakage.

Electrical Supply (Models with Convection Oven only)

The electrical supply required is single phase, 115V, 60Hz. As an option, equipment can be supplied for 240V, 60Hz operation.

If 240V, the supply must be connected to the terminal block termination located at the rear of the range for models with the suffix C.

For ease in attaching the supply line, there is a removable cover. A qualified electrician should make the connection to the mains in accordance with the applicable local codes.

WARNING: Electrical Grounding Instructions.

This appliance is equipped with a three prong (grounding) plug for your protection against shock hazard and should be plugged directly into a properly grounded three-prong receptacle. Do not cut or remove the grounding prong from this plug.

INSTALLATION Continued

POWER FAILURE NOTE: In the event of a power failure, no attempt should be made to operate this oven. This oven is gas operated but has electrical features, motor and door switches.

Assembly of Battery

All models described except Models C36-ABR, C36-ARR, C36-ABC and C36-ARC may be installed to battery with Cuisine Series Ranges, sharing common manifold connections. Models C36-ABR, C36-ARR, C36-ABC and C36-ARC range base broilers may be connected to other like broilers, but cannot be placed in a battery with other Cuisine units.

- A. All such units should be placed in their respective battery position. Detach valve panels to prevent damage and remove them from the area where the battery is being assembled.
- B. Level each unit (to the front rail) by adjusting the six inch (6") legs or where legs are not used, adjust level with shims. Readjust legs, if required.
- C. Connect units together by mating the unions at each end of the manifold. (Adjoining units must have matching unions, unless the union parts are of the same specifications, a leak proof connection cannot be assured.) Hand tighten unions at this point.
- D. The units should be fastened at the rear by inserting 5/16" bolts through the holes provide at the rear of the burner box sides. Install washer and nut and hand tighten. Be sure of proper unit alignment in the battery before final tightening of these bolts or unions, improper tightening will cause "fanning" or "bowing" of battered units.

The final tightening of the union should be accomplished by using a suitable spanner wrench. If such a wrench is not available, the GARLAND union collar has special ridges, and a cold chisel can be driven against these ridges to properly seat and seal the union.

- E. The manifold of this unit or the manifold of which it is a part of must be equipped with a certified pressure regulator suitable for battery application and adjustable for an outlet pressure at the manifold as specified on the rating plate.

Ventilation And Air Supply

The range(s) must be installed so that the flow of combustion and ventilation air is unobstructed. Adequate clearance for air openings into combustion chambers must be provided.

Avoid installing units on a convection oven base back to back with a high heat emitting appliance such as a wood or charcoal burning broiler. The high temperatures can shorten the life of the convection motor.

Proper ventilation is highly important for good operation. The ideal method of ventilating a range is the use of a properly designed canopy which should extend approximately six inches (6", 152 mm) beyond all sides of the appliance and six feet (6') six inches (6"), (1981mm) from the floor.

A strong exhaust fan will create a vacuum in the room. For an exhaust system vent to work properly, replacement air must enter the room in which the vent is located.

All gas burners and pilots need sufficient air to operate and large objects should not be placed in front of the appliance which would obstruct the airflow through the front.

The following notes are intended to give general guidance. For detailed recommendations, refer to the applicable code(s) in the country of destination.

NOTE 1: The room containing the appliance is required to have a permanent air vent. The minimum effective area of the vent is related to the maximum rated heat input of the appliance and shall be 4.5 cm² per kW (2.04 X 10⁻⁴ in² per BTU/H) in excess of 7 kW. (23,900 BTU/H).

NOTE 2: Air vents should be of such a size to compensate for the effects of any extract fan in the premises.

COMMISSIONING

Pressure Regulators.

1. Must have a maximum regulation capacity for the total connected load.
2. The pressure regulator(s) installed must be listed by a nationally recognized agency.
3. The pressure regulators must have a pressure adjustment range to allow adjustment to the manifold pressure on the appliance rating plate.
4. Unless the manifold pressure on all connected appliances is the same, a separate pressure regulator must be supplied for each appliance having differing manifold pressures.
5. Gas supply lines may be connected at right, left or both ends of a battery or at the TEE connections on spreader plates. If five (5) or more units are placed in a battery, more than one (1) supply line should be used. A readily accessible, approved type of hand shut-off valve should be installed on each supply line.

WARNING: Local codes may require that the pressure regulator be externally vented. This will be supplied by others.

Testing and Adjustments.

All fittings and pipe connections, including connections internal to the unit, must be tested for leaks. Use approved gas leak detectors, soap solutions or equivalent, checking over and around the fittings and pipe connections. **DO NOT USE A FLAME!** Accessibility to all gas lines and fittings require that valve panel(s), knob(s), lower front panel(s), oven rack(s) be removed. It may be necessary to remove or at least raise and securely prop-griddles, hot tops and top grates. All parts removed (including fasteners) should be stored safely for re-use.

NOTE: Each valve knob has a set screw fastening it to the valve. This set screw must be loosened prior to removing the knob. Subsequent to replacing the knob, tighten the set screw to affix the knob to the valve.

Testing

1. Be sure that all valves and thermostats are in the "OFF" position.
2. Turn on the main gas supply valve. Light all top section pilots.

3. Leak test all valves and fittings as described in the procedure above. Correct any leaks as required and recheck.
4. Light oven pilot.
5. If the range is provided with an oven shut-off valve separate from the thermostat, turn this valve on and set the thermostat at 500°F (260°C) degrees. If the range oven thermostat has an "OFF" position on the dial the thermostat is equipped with an internal, integral shut-off valve. Set this thermostat dial to 500°F (260°C) degrees. In both cases, gas will now flow to the oven burner.
6. Leak test all valves, fittings, etc, as above. Correct any leaks and retest.
7. Shut off all range valves and set thermostat dials to "OFF" or low position.

All units are tested and adjusted at the factory. However, burners and pilots should be checked at installation and adjusted if necessary.

CAUTION: Gas will flow to top burners even with top pilots out. Gas will not be interrupted. It is the responsibility of the operator to check the ignition of the burners. Should ignition fail after ten (1) seconds, turn burner valve off and wait five (5) minutes and then try again.

Pressure Settings (All Models)

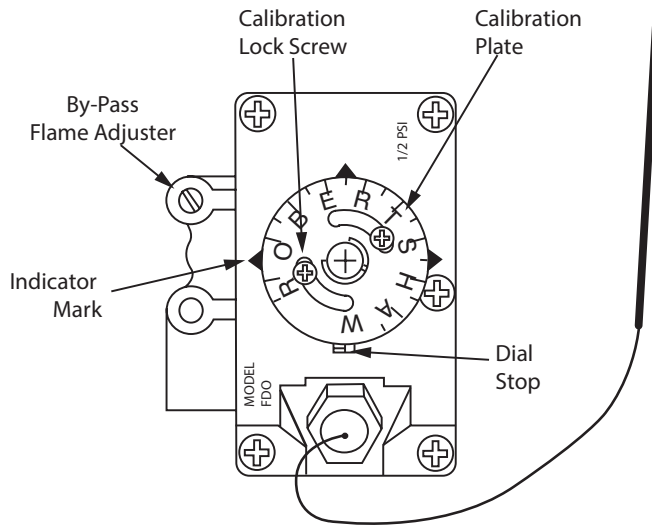
1. Make sure all gas valves are in the OFF position and turn on the main gas supply.
2. Light all pilots in accordance with the User's Instructions.
3. Connect a U-gauge manometer to the pressure test point on the main manifold and turn all gas controls to the ON position.

Confirm that the pressure is the same as stated on the rating plate.

COMMISSIONING Continued

Thermostat Bypass Adjustment – Oven

Figure 5



With reference to Figure 5, the Robertshaw FDO snap-throttle thermostat requires a bypass adjustment. To adjust the bypass, follow this procedure.

1. Turn the oven temperature control dial to 200°F (93° C) then allow the oven to heat for 3 minutes.
2. Turn the oven control dial to the OFF position, then slowly turn the oven temperature control dial counter-clockwise until an audible click is heard.
3. Making sure not to disturb the oven temperature control dial, turn the bypass flame adjusting screw and adjust the bypass flame to the Lowest Possible Stable flame covering the Entire Ported Area of the Burner. Turn the adjusting screw counter-clockwise to increase or clockwise to decrease the size of the bypass flame.

NOTE: For calibration please refer to Thermostat Calibration in the Service Section.

COMMISSIONING Continued

Pilot Burner Adjustments

General

1. Light the pilot light in accordance with the Operation Instructions in Operation Section.
2. Check the length of the flame and adjust as necessary for desired characteristics. Screwdriver adjustment may be made to the pilot valve adjacent to the burner valve on the manifold, through the valve panel opening.

Oven

1. Open the lower kick panel.
2. Remove the oven bottom assembly.
3. Light the pilot light in accordance with the Operations Instructions.
4. Check the length of the pilot light. Adjust pilot flame for desired characteristics. Screwdriver adjustments may be made to the pilot valve, adjacent to the oven burner valve on the manifold, through the valve panel opening.

Solid Hot Plate/Griddle

1. Light the pilot in accordance with the Operation Instructions.
2. Check the length of the flame. Adjust pilot flame for desired characteristics. Screwdriver adjustment may be made to the pilot valve adjacent to the burner valve on the manifold through the valve panel opening.

Front Fired Hot Top

1. Light the pilot light in accordance with the Operation Instructions.
2. Check the length of the flame. Adjust pilot flame for desired characteristics. Screwdriver adjustment may be made to the pilot valve adjacent to the burner valve on the manifold through the valve panel opening.

Broiler

1. Light the pilot light in accordance with the Operation Instructions.
2. Check the length of the flame. Adjust pilot flame for desired characteristics. Screwdriver adjustment may be made to the pilot valve adjacent to the burner valve on the manifold through the valve panel opening.

OPERATION

This section deals with equipment operating instructions and some of the simple and obvious cleaning methods that will help keep heavy duty cooking equipment in good condition.

Open Top Burners

1. Open top burner pilots may be reached down through the opening of the top grate.
2. Light the pilots.
3. Turn the valve completely on by rotating the knob to the "ON" position. If burner fails to light after 10 seconds turn the valve "OFF", wait 30 seconds and try again.

NOTE: The burner flame should be a 1/2" stable flame and impinge on the underside of a pot placed on the top grate.

Shutdown

1. Turn all valves to the off position.
2. If the unit is to be shut down for an extended time, close the in-line gas valve.

Note: Never place sheet pans over open top grates with burners operating, or flip and try using them as a wok.

Hot top and Spectro-Top Sections

1. Light the pilots via a long match or taper through the opening in the valve panel.
2. Turn the burner valve on by rotating the knob to the "ON" position. A sharp blue flame should be approximately 1/4" high. If burner fails to light after 10 seconds turn the valve "OFF", wait one minute and try again.

OPERATION Continued

Shutdown

1. Turn all valves to the off position.

If the unit is to be shut down for an extended time, close the in-line gas valve.

Thermostatically Controlled Griddles

1. Light the pilots at the front right side of the burner via a long match or tape through the opening in the valve panel.
2. Set the thermostat to maximum one at a time. The burner should have a 5/16" high stable flame. If burner fails to light after 10 seconds turn the valve "OFF", wait two minutes and try again.

CAUTION: Do not allow the griddle to heat for longer than one minute. The griddle must be seasoned before use. (Refer to the Passage Entitled "Griddle Seasoning").

Shut Down

- 1 Turn all thermostat valves to the OFF position.
- 2 If the unit is to be shut down for an extended time, close the in-line gas valve.

Valve Controlled Griddles

1. Light the pilot at the front right side of the burner via a long match or taper through the opening in the valve panel.
2. Turn the burners on by rotating them to the "ON" position. The burners should have a 1/2" to 5/8" stable blue flame. If burner fails to light after 10 seconds turn the valve "OFF", wait one minute and try again.

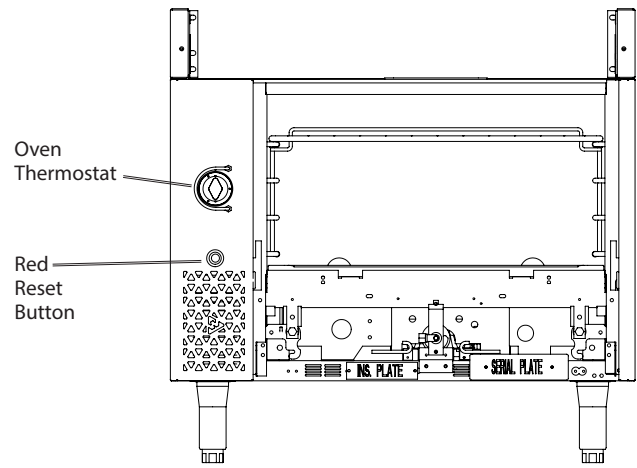
CAUTION: Do not allow the griddle to heat for longer than one minute. The griddle must be seasoned before use. (Refer to the Passage Entitled "Griddle Seasoning").

Shut Down

1. Turn all valves to the OFF position.
2. If the unit is to be shut down for an extended time, close the in-line gas valve.

NOTE: Never exceed the weight limit of 490 lbs. on the top section of the range.

Oven (Standard)



Lighting

1. Remove Oven bottom.
2. Depress and hold reset button (red) located through the access hole on the front control panel to the left of the oven door (When facing the unit front.) While lighting the oven pilot, continue to depress the reset button for 60 seconds. Release button. If pilot does not stay lit, repeat this procedure after 5 minutes.
3. Turn oven valve knob to the "ON" position.
4. Rotate oven thermostat dial to the desired setting.

Shut Down

1. Turn oven valve and thermostats to, the off position.
2. If range is to be shut down for an extended period of time, close the in line gas valve.

Relighting

1. Shut all gas valves off.
2. Wait 5 minutes.
3. Repeat lighting instructions in lighting above.

NOTE: Never leave the oven door open with oven burner operating.

OPERATION Continued

“RC” Convection Ovens

For 115 V usage, a cord and plug is provided but connection to the electrical service must comply with local codes; or in the absence of local codes with the National electrical code, ANSI/NFPA No. 70-(or current edition)in the U.S., or in Canada with the Canadian Electrical Code C22.1-1990 (or latest edition) “Safety Standard for Installation, Part 1” and C22.2- No. O-M 1982 (or latest edition), “General Requirements Part 2.”

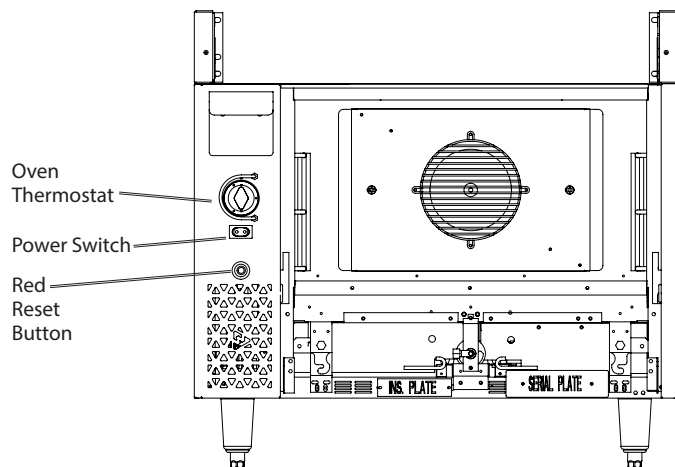
WARNING:

Electrical Grounding Instructions.

This appliance is equipped with a three pronged (grounding) plug for your protection against shock hazard and should be plugged directly into a properly grounded three-pronged receptacle. Do not cut or remove the grounding prong from this plug.

POWER FAILURE NOTE: In the event of a power failure, no attempt should be made to operate this oven. This oven is gas operated but has electrical features, motor and door switches.

A wiring diagram is attached to the rear of this unit.



Lighting Instructions

1. Remove the lower front panel.
2. Push the power switch to cook position. This will activate the spark module and light the pilot.
3. Using the access hole in the front control panel to the left of the oven door (when facing unit front) depress and hold the reset button (Red) located on the oven safety valve. Continue to depress the reset button for 60 seconds. Release button.

4. If the pilot does not stay lit after you release the reset button, wait 5 minutes and repeat Step 3 & 4.

Start Up

1. Turn oven knob on to the “ON” position.
2. Turn thermostat to desired setting.

Cool Down

1. Turn thermostat and oven valve off.
2. Open Door.
3. Activate power switch to the cool down position.

Shut Down

1. Turn thermostat off.
2. Return power switch to “OFF” position.
3. Turn oven valve off.

The motor on your range convection oven is maintenance free since it is constructed with self lubricating sealed ball bearings. It is designed to provide durable service when treated with ordinary care. We have a few suggestions to follow on the care of your motor.

- A. When the motor is operating, it cools itself internally by air entering the rear of the motor case, provided proper clearance has been allowed.
- B. Since the blower wheel is in the oven cavity it is at the same temperature at the oven. If the motor is stopped while the oven is hot, the heat from the blower wheel is conducted down the shaft and into the armature of the motor. This action could shorten motor life.
- C. We recommend, at the end of the bake or roasting period, when the oven will be idle for any period of time or before shutting down completely, that the oven door be left open, and by use of the cool-down position on the fan switch, the fan continue to run for at least 20 minutes. The “FAN” should never be turned “OFF” when the oven is “HOT”.

OPERATION Continued

Unit Broilers

1. Light the pilots via a long match or taper through the opening(s) in the valve panel.
2. Turn the burner valve on by rotating the knob to the "ON" position. A sharp flame should be about 1/4" high.

Shut Down

1. Turn all valves to the OFF position.

2. If the unit is to be shut down for an extended time, close the in-line gas valve.

Fryers

- Refer to separate instruction manual provided with fryer unit.

MAINTENANCE AND CLEANING

Seasoning

Griddle Seasoning

- A. Remove all factory applied protective material washing with hot water, mild detergent or soap solution.
- B. Apply a thin coat of cooking oil to the griddle surface, about one ounce per square foot of griddle surface. Spread over the entire griddle surface with a cloth to create a thin film. Wipe off any excess oil with a cloth.
- C. Light all burners, set at lowest possible setting. Some discoloring will occur when heat is applied to steel.
- D. Heat the griddle slowly for 15 to 20 minutes. Then wipe away oil. Repeat the procedure 2 to 3 times until the griddle has a slick, mirror like finish. Do this until you have reached the desired cooking temperature.

IMPORTANT: Do not attain high (on valve control) or 450 degrees (on thermostat control) during "Seasoning" period. The griddle will not require reseasoning if it is used properly. If the griddle is over heated and product begins to stick to the surface it may be necessary to repeat the seasoning process again. If the griddle is cleaned with soap and water it will be necessary to reseason the griddle surface again.

Seasoning Cast Iron Top Grates

First, remove the cast iron top grates from the range. Wash the cast iron top grates thoroughly with a mild soap and warm water. Dry the cast-iron top grates thoroughly with a clean cloth. Immediately after drying season the top grates lightly with a non-toxic (Liquid vegetable oil or Pam spray oil).

WARNING: Do Not Season the Top Grates While On the Range top! Seasoning grates on the range top over an open flame could cause a flash fire.

After seasoning, replace the top grates onto the range. Turn all the range open top sections "ON LOW".

Allow the top sections to burn in this manner for at least 20 minutes before using pots or pans on the top grates. **Seasoning of the top grates will be required whenever they have been cleaned. Failure to season grates will cause rusting.**

Cleaning

General Cleaning

NOTE: Disconnect line cord (if applicable) from power supply before cleaning or servicing.

Proper maintenance, cleaning and care of cooking equipment is an important part of any program and will keep it in good operating condition. These notes provide a code of good practice for users to maintain a regular cleaning schedule.

MAINTENANCE AND CLEANING Continued

Establish a regular cleaning schedule. Any spill should be wiped off immediately.

The oven should be permitted to cool down before cleaning exterior surfaces. Wipe exposed, cleanable surfaces when cool with a mild detergent and hot water. Stubborn residue spots may be removed with a light weight non-metallic scouring pad. Dry thoroughly with a clean cloth.

NOTE: Many parts of the commercial range are raw steel, (i.e. hot tops, griddles, springs, door hooks, etc.) and can react to moisture, forming rust. This occurrence is normal and not considered a factory defect. Clean with a stainless steel or fiber pad. A coating of salt free oil may be applied.

Stainless Steel Exterior and Standard Oven Interior Finishes

NOTE: Disconnect line cord (if applicable) from power supply before cleaning or servicing.

For routine cleaning just wash with a hot water and detergent solution. Wash just a small area at a time or the water will evaporate leaving the chemicals behind causing streaking. Rinse the washed area with a clean sponge dipped in a sanitizing solution and wipe dry with a soft cloth before it can dry.

Use a paste (of water and a mild scouring powder) if you have to, but never rub against the grain. All stainless steel should be polished in one direction. Rub with the polished lines to preserve the original finish. Then thoroughly rinse as before.

To prevent finger prints on exterior surfaces there are several stainless steel polishes on the market that leave an oily or wavy film. Do not use on surfaces that will be in contact with food.

Stainless steel may discolor if overheated. These stains can usually be removed by vigorous rubbing with a scouring powder paste.

Use only stainless steel, wooden or plastic tools if necessary to scrape off heavy deposits of grease and oil. Do not use ordinary steel scrapers or knives as particles of the iron may become imbedded and rust. **STEEL WOOL SHOULD NEVER BE USED.** Either a typical bleach solution or hot water can be used to sanitize stainless steel without harm.

Oven Interior (Optional Porcelain Enamel Finish)

NOTE: Disconnect line cord (if applicable) from power supply before cleaning or servicing.

1. Before cleaning oven interior, remove all oven racks and guides (if "convection oven" base). Oven racks and guides can be cleaned with a mild soap and warm water or run through dish washer.
2. The porcelain interior can be cleaned with oven cleaners such as "Easy-Off", or "Dow Oven cleaner". Apply only when oven is cold.

MAINTENANCE AND CLEANING Continued

Note that griddle, open top grates and burners, hot tops and broiler components should be cool to the touch prior to performing any cleaning procedure.

Griddle Cleaning

Do Not use water on griddle tops while still hot or do not cool by using ice! This will cause griddle plate to warp and possibly crack. This is not a factory defect.

To produce evenly cooked, perfectly browned griddle products, keep griddle free from carbonized grease. Carbonized grease on the surface hinders the transfer of heat from the griddle surface to food product. This results in uneven browning and loss of cooking efficiency, and worst of all, carbonized grease tends to cling to the griddle foods, giving them a highly unsatisfactory and unappetizing appearance. To keep the griddle clean and operating at peak performance, follow these simple instructions.

- A. **After Each Use** clean griddle thoroughly with a grill scraper or spatula. Wipe off any excess debris left from cooking process.
- B. **Once a Day** clean griddle surface with a grill brick and grill pad. Remove grease container and clean thoroughly, in same manner as any ordinary cooking utensil.
- C. **Once a Week** clean griddle surface thoroughly. If necessary, use a grill stone or grill pad over the griddle surface. Rub with grain of the metal while still warm. A detergent may be used on the plate surface to help clean it, but care must be taken to be sure it is thoroughly removed. After removal of detergent, the surface of the plate should be covered with a thin film of oil to prevent rusting. To remove discoloration, use a non-abrasive cleaner. Before re-using the griddle must be reseasoned. Keep griddle drain tube to grease container clear at all times on those models without side grease container.

CAUTION: This griddle plate is steel, but the surface is relatively soft and can be scored or dented by careless use of spatula. Be careful not to dent, scratch or gouge the plate surface. This will cause food to stick in those areas. Also, note, since this is a steel griddle if a light coating of oil is not always present rust will develop on exposed areas.

Open Top Burners

Periodically burners should be removed and cleaned with soap and hot water. You may soak the burner in a bucket of hot soapy water and brush off any burnt on grease or debris.

Allow the cast iron burner to dry thoroughly before installing into the range. If the burner ports are blocked or plugged with grease, it will be necessary to clear the ports with a wire or blunt instrument.

Cast Iron Top Grates

Cast Iron Top Grates can be cleaned with mild soap and warm water. For baked on material, a wire brush can be used. Dry thoroughly. Lightly coat with vegetable oil to help prevent rust from forming.

Seasoning of the top grates will be required whenever the grates have been cleaned. Failure to season grates will cause rusting.

Cast Iron Hot tops and Spectro-Heat Tops

DO NOT use water on tops while still hot or DO NOT cool by using ice!

While the surface is still slightly warm, wipe down with a clean burlap cloth. Burnt on spillage should be scraped off. If necessary, remove the plate and wash in a sink with soap and hot water. Dry thoroughly. In damp climates, wipe down with a light coating of oil to prevent rusting. Avoid excessive use of water as this could damage the surface and the control below.

NOTE: Cast Iron Hot Tops & Spectro-Heat Tops surface will "tone" (blue/brown discoloration) from heat. This toning will not diminish function or operation and is not a defect.



MAINTENANCE AND CLEANING Continued

Broiler Cleaning

C36-NRR/C36-NRC Models

Daily

1. Remove the broiler grates. Wire brush them clean of any encrusted materials and wash in hot, soapy water. A common cleaning practice is to turn grates upside-down to burn off encrusted material. Do not do this with the Cuisine Char-broiler! The flame from the burner is shielded by a cast iron radiant, with the result that heat-not flame – reaches the grate. It is likely that cooked-on matter will cook in even deeper rather than burn off.
2. Remove the radiants and wire brush them clean; then wash in hot, soapy water. A rule of thumb is that if the grates are becoming encrusted, so are the radiants.
3. The Cuisine Char-Broiler uses a double drip tray. The front grease trough (at the top of the unit) downspouts to a 3 5/8" wide tray running the depth of the unit. Remaining grease which drips past the radiants is collected by a second pan covering the remainder of the broiler bottom. The front tray must be checked frequently during operation and drained as necessary; the rear drip pan should also be checked occasionally. Spills should be wiped as they occur and at the end of the day both pans should be washed in hot soapy water.

Weekly

If daily maintenance is performed as recommended above, weekly maintenance will not be required beyond the daily cleaning for the last day of the working week.

C36-ABR/C36-ABC Models

Daily

1. Remove the broiler grates. Wire brush them clean of any encrusted materials and wash in hot, soapy water. A common cleaning practice is to turn grates upside-down to burn off encrusted material. Do not do this with the Cuisine Char-broiler! It is likely that cooked-on matter will cook in even deeper rather than burn off.
2. With the grates removed, turn over all the briquettes on the ceramic coal model.
3. Remove the perforated screen, drip pan, and grease can and clean thoroughly.

C36-ARR/C36-ARC Models

Daily

1. Remove the broiler grates. Wire brush them clean of any encrusted materials and wash in hot, soapy water. A common cleaning practice is to turn grates upside-down to burn off encrusted material. Do not do this with the Cuisine Char-broiler! The flame from the burner is shielded by a cast iron radiant, with the result that heat-not flame – reaches the grate. It is likely that cooked-on matter will cook in even deeper rather than burn off.
2. Remove the radiants and wire brush them clean; then wash in hot, soapy water. A rule of thumb is that if the grates are becoming encrusted, so are the radiants.
3. The Cuisine Char-Broiler uses a double drip tray. The front grease trough (at the top of the unit) downspouts to a 3 5/8" wide tray running the depth of the body remaining grease which drips past the radiants is collected by a second pan covering the remainder of the broiler bottom. The front tray must be checked frequently during operation and drained as necessary; the rear drip pan should also be checked occasionally. Spills should be wiped as they occur and at the end of the day both pans should be washed in hot soapy water.

Adjustments

Oven Orifice

The top and oven orifices are fixed and cannot be adjusted. Proper rate is attained if the gas supply pressure is adequate. Pressure may be checked by using the 1/8" N.P.T. manifold pressure tap. A properly adjusted air shutter will provide for a distinct blue flame over the entire port area of the burners when at full rate.

Pilot Adjustments

All pilot adjustment valves are mounted on the range top manifold. The pilot burner for the open top, broiler, griddle or hot top burner should provide for rapid ignition of the burner but should not impinge on any part of the burner. When properly adjusted the pilot flame should neither lift off the burner, nor should it show a yellow tip.

MAINTENANCE AND CLEANING Continued

Automatic Pilot Valve

The automatic pilot valve is a protective device which allows gas to flow to the oven burner only when the pilot burner is burning. (This device is used on Cuisine ranges and has safe lighting provisions provided by the flow interrupter which will not allow gas to flow to the oven burner while the red button is depressed).

A too loose or too tight connection of the thermocouple nut to the automatic pilot valve can prevent the thermocouple from activating the valve. It should be drawn up finger tight and the TIGHTENED ONLY 1/4 turn with a wrench.

Burner Gas/Air Adjustments

Variations in field conditions, rough handling of the equipment in transit may indicate the need for adjustment of primary air to the burners. Check operation and adjust as below to provide a sharp blue flame at full rate (open valve fully so that the thermostat is calling for maximum gas flow). On the burner (Open top, "H" griddle, knuckle, broiler, oven burners) locate the air shutter. Loosen the lock-nut so that the air shutter turns freely (Figure 6). Reinstall burner. Turn on gas flow and ignite burner. Rotate air shutter to obtain the following.

- a. Open Burner 1/2" stable, sharp inner blue cones.
- b. Hot tops, griddles and broilers 1/4" to 5/16" stable, sharp inner blue cones.
- c. Knuckle burners 4" to 6" stable, blue flame, slight yellow tips.

If the burner flames are sharp but lift off the burner ports, reduce the amount of primary air by closing the air shutter. If the burner flames are lazy and yellow in appearance, increase primary air by opening the shutter. If poor burner performance persists check for proper gas pressure.

NOTE: The rates shown in Table C on Page 9 are maximum rates and must not be exceeded.

CONVECTION OVEN PRODUCT APPLICATION

- As a guide, set oven temperatures 25° to 50° lower than called for in recipes or directions using standard or conventional ovens. Cooking time may be less depending upon the product you are preparing. 2% to 5% is a general rule. Product should be watched the first time it is prepared.
- Cooking time and oven temperature will vary depending upon such factors as size of load, temperature of product, and mixture of recipe, particular moisture.
- When you have established satisfactory time and temperature for your products, record them on a chart and keep as a reference guide.
- Preheat oven thoroughly before use. To reach 350° takes approximately 15 minutes. For optimum results oven should be preheated for 30 minutes to allow for thorough heat saturation.
- The load should be centered on the racks to allow for proper heat circulation around the sides.
- Load size. The oven will hold three (3) 18" x 26" sheet pans, six (6) 12" x 20" x 2.5" steam table pans or one (1) 21" x 18" x 7" roast pan with cover.
- Never place pans directly on the oven bottom. Always use the lowest rack position which will allow the air to circulate within the oven cavity.
- Load and unload food as quickly as possible to prevent an excessive drop in temperature.
- Avoid using wrapped pans since level pans bake more evenly.

CONVECTION OVEN PRODUCT APPLICATION Continued

- Do not use a deep pan for shallow cakes, cookies, etc. as circulation across the surface is essential for even cooking and browning.
- To prevent excessive shrinkage, roast meats at a low temperature, 250° to 325°.
- When rethermalizing frozen products, preheat the oven 50° higher than cooking temperature to compensate for heat loss during and after loading. Thermostat must be returned to cooking temperature after loading.
- To conserve energy, turn the oven off and cool down when not in use.

PROBLEM/SOLUTIONS CONVECTION OVEN

Problem	Solution
Cakes are dark on the sides and not done in the center	Lower oven temperature
Cakes edges are too brown	Reduce number of pans or lower oven temperature
Cakes have light outer color	Raise temperature
Cake settles slightly in the center	Bake longer or raise oven temperature slightly. Do not open doors too often or for long periods
Cake ripples	Overloading pans or batter is too thin
Cakes are too coarse	Lower oven Temperature
Pies have uneven color pans	Reduce number of pies per rack or eliminate use of bake pans
Cupcakes crack on top	Lower oven temperature
Meats are browned and not done in center	Lower temperature and roast longer.
Meats are well done and browned	Reduce time. Limit amount of moisture
Meats develop hard crust	Reduce temperature or place pan of water in oven.

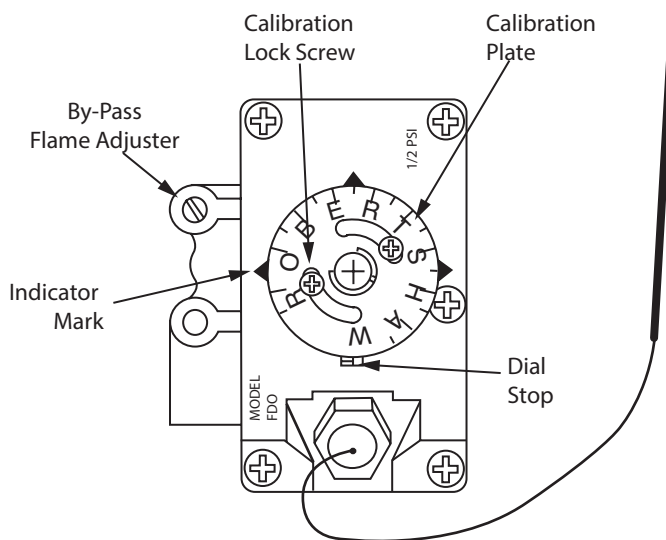
SERVICING

Regular maintenance and servicing by competent and qualified personnel is recommended for the continued safe and efficient operation of cooking equipment.

WARNING: Before working on any appliance, SHUT OFF the gas supply at the main shut-off valve and electrical supply at the main disconnect. On completion of any servicing work, test for gas leaks before returning the equipment into service.

Thermostat Calibration

Oven



To check the calibration, follow this procedure:

- 1 Place the thermocouple of the test instrument or a mercury thermometer in the center of the oven.
- 2 Turn the oven control dial to 400°F (202°C) to allow the oven temperature to stabilize. Allow the oven to cycle twice before taking a test reading.
- 3 Check the temperature reading when the control cuts down to bypass. If the temperature does not read within 15° (5°C) of the dial setting recalibrate as follows.
- 4 Remove the control dial, making sure not to disturb the setting.
- 5 Hold the calibration plate and loosen the two calibration lock screws until the plate can be rotated independently of the control.
- 6 Turn the calibration plate until the temperature indicated on the plate corresponds with the reading of a test instrument. Hold the plate and tighten the screws firmly.

- 7 Repeat the temperature reading and check when the control cuts down to bypass to make sure the correct adjustment has been made.

Cleaning/Servicing Burners

Open-Type Burners

- 1 Lift and remove the open top grates
- 2 Lift and remove the burner heads. Lift the venturi housing at the rear and slide it backwards off the orifices.
- 3 Clean the burner heads and venturi in hot soapy water with a stiff scrubbing brush.
- 4 Rinse the burner heads and venturi and shake them well to remove the water.
- 6 Make sure the gas ports are free of debris. Clear ports of debris if necessary.
- 7 Reassemble the units in reverse order. Be sure to align hole in bottom of burner head with pin in venturi housing so that head seats properly on housing. Also, install top grates so that integral shields cover open top pilots.

Front Fired Hot Top Burners

- 1 Remove the key plates from the top of the range.
- 2 Remove the two screws that retain the air shield in place and remove shield.
- 3 Lift the burner to disengage the locating peg and slide it backwards off the orifice.
- 4 Clean the burners in hot soapy water with a stiff scrubbing brush.
- 5 Rinse the burners and shake them well to remove the water.
- 6 Make sure the ports are free of debris. Clear ports of debris if necessary.
- 7 Reassemble the burners in reverse order.

Solid Hot Top/Griddle Burners

- 1 Lift off the griddle or hot top plates as applicable.
- 2 Lift the rear of the burner and slide it backwards off the orifice.

SERVICING Continued

3. Clean the burners in hot soapy water with a stiff scrubbing brush.
4. Rinse the burners and shake them well to remove the water.
5. Make sure the ports are free of debris. Clear ports of debris if necessary.
6. Reassemble the burners in reverse order.

Standard Oven Burners

1. Remove the oven bottom assembly.
2. Remove the two screws that secure the front air shield in place and lift out.
3. Slide the burner towards the rear, off the orifice fitting, and remove from oven.
4. Clean the burner in hot soapy water with a stiff scrubbing brush.
5. Rinse the burner and shake it well to remove the water.
6. Make sure the ports are free of debris. Clear ports of debris if necessary.
7. Reassemble the burners in reverse order.

RC Oven Burners

1. Open the lower front panel.
2. Remove the right hand oven door spring.

CAUTION: The oven door may need additional support to remain closed.

3. Remove the right hand front radiation shield.
4. Slide the burner to the rear and off the orifice. Then slide it to the right and remove it from the combustion chamber.
5. Clean the burner in hot soapy water with a stiff scrubbing brush.
6. Rinse the burners and shake them well to remove the water.
7. Make sure the ports are free of debris. Clear ports of debris if necessary.
8. Reassemble the burners in reverse order.

Broiler

1. Remove the top grates.
2. Remove the briquettes or radiants.
3. Lift the rear of the burner and slide it to the rear and off the orifice.
4. Clean the burners in hot soapy water with a stiff scrubbing brush.
5. Rinse the burners and shake them well to remove the water.
6. Make sure the ports are free of debris. Clear ports of debris if necessary.
7. Reassemble the burners in reverse order.

Pilot Burner Cleaning

Open Top/Hot Top/Griddle/Broiler/Front Fired Hot Top

1. Remove the main burners. Refer to the appropriate section on burner cleaning.
2. Disconnect the pilot gas supply pipe from the pilot burner.
3. Remove the pilot burner.
4. Clean the pilot burner by blowing through it or washing it.

CAUTION: Do not use wire to clear the pilot burner. It might damage the unit.

5. Reassemble the pilot burner in reverse order.

Oven

1. On all models but RC (convection) units, remove the oven bottom assembly. To deal with convection oven (RC) models, follow the procedure specified below.
2. Remove the two screws securing the front air shield and remove it from the oven.
3. Disconnect the pilot gas supply pipe.

SERVICING Continued

- For RC convection oven models: Follow procedures specified for burner cleaning, then disconnect pilot tubing from the base of the pilot burner and remove two screws retaining pilot bracket to burner rest. Remove bracket and burner from unit. Remove screws retaining burner to bracket.
- Remove pilot jet from pilot burner.
- Clean the pilot burner by blowing through it or washing it in water.

CAUTION: Do not use wire to clear the pilot burner. It might damage the unit.

- Reassemble the unit in reverse order.

REPLACEMENT OF PARTS

For replacement parts, users and service personnel are referred to US Range Cuisine Series Heavy-Duty Ranges and Attachments parts list. This section of the service manual deals only with the replacement of parts on heavy duty cooking equipment.

WARNING:

Before servicing any cooking appliance be certain to SHUT OFF the gas supply at the shut-off valve and the electrical supply at the main disconnect. On completion of any servicing work, test for gas leaks before returning the equipment into service. Regarding electrical work, always shut off the electrical supply at the mains and secure the breaker panel with a lock before doing electrical work. Do not service electrical equipment until the power is securely locked off.

Gas Valves

- Loosen the set screw of each knob and remove the knob of each gas valve and thermostat on the unit.
- Remove the two securing screws on the valve panel and remove it.
- Disconnect the gas tubing from the pressure fitting at the main manifold to the inlet of the gas valve.
- Unthread the gas valve from the manifold.
- Fit a replacement gas valve.
- Re-assemble the unit in reverse order. Do not forget to tighten the set screw of each knob to the stem of each valve.

NOTE: For thermostatic griddle units the thermocouple must be removed from the griddle bottom prior to removal of the valve/thermostat. In-order to perform this step prop up the griddle assembly (ensure that it is adequately supported) and remove the capillary shields. The valve/thermostat threads into a fitting on the main manifold. The fitting doesn't have to be removed. Reassemble in reverse order.

Oven Thermostat

- Loosen the set screw of each knob and remove the knob of each gas valve and thermostat on the range.
- Remove the two securing screws on the valve panel and remove it.
- Remove the two screws retaining the front control panel and pull the panel away from the unit. Set the panel a side. On "RC" units gently set the panel aside as power switch is affixed to panel.
- Disconnect the pipe work between the oven gas valve and the thermostat.
- Disconnect the thermocouple connection at the oven gas valve outlet.
- Remove the two thermostat mounting screws and pull the thermostat.
- Disconnect the oven gas supply pipe from the outlet of the thermostat.



REPLACEMENT OF PARTS Continued

8. Remove the two thermostat mounting screws and pull the thermostat forward.
9. Release the thermostat sensor retaining clips from the oven lining and the sensor from the clips.
10. Withdraw the thermostat sensor from the oven compartment. The thermostat should now be totally free to remove from the appliance.
11. Fit the replacement thermostat and reassemble the unit in reverse order. Do not forget to tighten the set screw of each knob to the stem of each valve and thermostat.

Power Switch

1. Remove the screws securing the front control panel and pull forward to “unsnap” it from the unit.
2. Disconnect the wires from the terminals on the switch.
3. Depress the tabs on the body of the switch and push the switch through the panel opening.
4. Fit a replacement switch and reassemble in reverse order, ensuring wires are attached correctly.

Door Switch

1. Remove the screw securing the front control panel and pull out on the panel to “unsnap” it from the unit.
2. Remove the cover protecting the door switch.
3. Remove fasteners securing the door switch to the mounting bracket and remove the switch.
4. Disconnect wires from terminals on switch.
5. Replace with new switch and reassemble in reverse order.

Oven Pilot

1. Remove the screws securing the front control panel and remove the panel by pulling forward to “unsnap” it from the unit.
2. Disconnect the thermocouple connection at the gas valve.
3. Disconnect the pilot connection at the gas valve.
4. Open the lower front panel.

5. Remove the oven bottom assembly plate. (For RC models, refer to the previous section under burner cleaning.)
6. Disconnect the pilot gas supply pipe at the pilot burner.
7. Remove the screws that secure the pilot mounting bracket to the oven burner support.
8. Remove the pilot assembly.
9. Replace the faulty component and reassemble the unit in reverse order.

CAUTION: Don't over-tighten the connection between the thermocouple and the flame safety device. It is sufficient for it to be finger tight plus a quarter of a turn.

Convection Ovens (RC) - Spark Module

1. Remove the screws securing the front control panel and pull out on panel to “unsnap” it from the unit. Gently set panel down and ensure its supported.
2. Remove screws from front component support plate and slide forward.
3. Disconnect the wires from spark module.
4. Remove the screws that secure the module.
5. Replace with a new module and reassemble the unit in reverse order.

Convection Oven (RC) Motor

1. Remove the oven racks from the oven compartment.
2. Remove the two (2) wing screws securing the fan guard and remove the guard.
3. Using an Allen key, loosen the screw securing the fan wheel to the motor shaft.
4. Remove the six (6) screws securing the motor mount plate to the oven casing back and pull the plate forward into the oven compartment.
5. Disconnect the wires from the motor terminals noting which terminal each wire came from.
6. Replace with new motor and reassemble in the reverse order.

TROUBLESHOOTING GUIDE

Oven (Standard & Convection)		
PROBLEM	POSSIBLE CAUSE	SOLUTION
Oven too hot or not hot enough	Thermostat out of calibration	Check Calibration
Burner flame too large	Incorrect setting pressure or injector	Check setting pressure and injector
Burner flame soft-yellow tip	Insufficient primary air	Check aeration shutter setting
Flame lifts off burner ports	Excessive primary air	Check aeration shutter setting
Flame lights back to the injector	Excessive primary air	Check aeration shutter setting
Burner “pops” when turned off	Excessive primary air	Check aeration shutter setting
Delayed ignition	Pilot flame too small	Check pilot flame length
	Burner ports blocked	Clean burner
	Incorrect aeration	Check aeration shutter setting
	Incorrect setting pressure	Check setting pressure
Pilot burner will not ignite	Pilot orifice blocked	Clean jet
	Pilot adjusting screw closed	Open and adjust flame
Pilot keeps going out	Pilot flame too small	Check pilot flame length
	Loose thermocouple connection	Tighten connection
	Faulty thermocouple	Replace thermocouple
	Faulty gas/safety valve	Replace valve
Low millivolt output on open circuit tests	Pilot flame too small	Adjust pilot flame length
	Defective thermocouple	Replace thermocouple
Millivolt output high in open circuit test but low in closed circuit	Faulty gas/safety valve	Replace valve
Millivolt output high on closed circuit test but flame safety tap will not stay open	Faulty gas/safety valve	Replace valve
Door will not stay closed	Insufficient tension on springs	Adjust tension
	Broken spring	Replace spring
	Broken hinge link	Replace
Door will not stay open	Too much tension on springs	Adjust tension
Door not closing on one side	Door warped	Replace door
Door not level or low in centre	Trunion support loose	Level and tighten
	Trunion support worn	Replace
Oven (Standard Only)		
Burner flame shuts off when oven is at the required temperature	Thermostat has incorrect by-pass rate	Adjust by-pass or replace them



TROUBLESHOOTING GUIDE Continued

Oven (Convection Only)		
Problem	Possible Cause	Solution
Cook/Cool Down switch set to "Cook" position Light off Motor working	No power to oven	Check power supply
	Defective Cook/Cool down Switch	Replace Switch
	Faulty wiring	Check condition of wires and all connections
Cook/Cool Down switch set to "Cook" position Light off Motor not working	Defective Cook/Cool Down switch	Replace switch
	Defective door switch	Replace switch
	Door switch out of alignment	Align switch
	Oven door open	Close door
	Faulty wiring	Check condition of wires and all connections
	Defective motor	Replace motor
Noisy motor	Blower wheel rubbing on oven baffle	Adjust blower wheel
	Blower wheel loose on motor shaft	Retighten blower wheel
	Defective motor	Replace motor
Cook/Cool Down switch set to "Cool Down" position Light on, motor not working	Defective Cook/Cool Down switch	Replace switch
	Defective door switch	Replace switch
	Door switch out of alignment	Align switch
	Faulty wiring	Check condition of wires and all connections
No spark to pilots	Disconnected or loose hi tension wires	Reconnect hi tension wires
	Defective spark module	Replace module
	No Power to range	Check power supply
Open Top, Solid Hot Top, Griddles & Broilers		
Problem	Possible Cause	Solution
Burner flame too large	Incorrect setting pressure or injector	Check setting pressure and injector
Burner flame soft-yellow tip	Insufficient primary air	Check aeration shutter setting
Flame lifts off burner ports	Excessive primary air	Check aeration shutter setting
Flame lights back to the injector	Excessive primary air	Check aeration shutter setting
Burner "pops" when turned off	Excessive primary air	Check aeration shutter setting
Delayed ignition	Pilot flame too small	Check pilot flame length
	Burner ports blocked	Clean burner
	Incorrect aeration	Check aeration shutter setting
	Incorrect setting pressure	Check setting pressure
Pilot burner will not ignite	Pilot orifice blocked	Clean jet
	Pilot adjusting screw closed	Open and adjust flame length
Pilot keeps going out	Pilot flame too small	Check pilot flame length
	Loose thermocouple connection	Tighten connection
	Faulty thermocouple	Replace thermocouple
Low millivolt output on open circuit tests	Pilot flame too small	Adjust pilot flame length
	Defective thermocouple	Replace thermocouple

THIS PAGE INTENTIONALLY LEFT BLANK





WELBILT[®]
Bringing innovation to the table

Welbilt offers fully-integrated kitchen systems and our products are backed by KitchenCare[®] aftermarket parts and service. Welbilt's portfolio of award-winning brands includes Cleveland[™], Convothem[®], Crem[®], Delfield[®], fitkitchen[®], Frymaster[®], Garland[®], Kolpak[®], Lincoln[®], Manitowoc[®], Merco[®], Merrychef[®] and Multiplex[®].

Bringing innovation to the table • welbilt.com

L'innovation au service de la restauration • welbilt.com

Welbilt propose des systèmes de cuisine entièrement intégrés et nos produits sont soutenus par le service après-vente de pièces de rechange et services de KitchenCare®. Les marques primées qui composent Welbilt comprennent Cleveland™, Convothem®, Crem®, Delfield®, fitkitichen®, Frymaster®, Garland®, Kolpak®, Lincoln®, Manitowoc®, Merco®, Merrychef® et Multiplex®.



PAGE INTENTIONNELLEMENT LAISSÉE EN BLANC

Four (standard et convection)		
PROBLÈME	CAUSE POSSIBLE	SOLUTION
Le four est trop chaud ou pas assez chaud	Thermostat mal étalonné	Vérifier l'étalonnage
La flamme du brûleur est trop grande	Défaut de réglage de pression ou d'injecteur	Vérifier le réglage de pression et l'injecteur
La flamme du brûleur a des pointes jaunes claires	Pas assez d'air	Vérifier le réglage de l'obturateur d'air
La flamme est décollée des orifices du brûleur	Trop d'air	Vérifier le réglage de l'obturateur d'air
La flamme se rallume dans l'injecteur	Trop d'air	Vérifier le réglage de l'obturateur d'air
Le brûleur « claque » lorsqu'il est arrêté	Trop d'air	Vérifier le réglage de l'obturateur d'air
L'allumage tarde à se produire	Flamme de veilleuse trop petite	Vérifier la longueur de la flamme de veilleuse
Orifices du brûleur bouchés	Nettoyer le brûleur	
Défaut d'aération	Vérifier le réglage de l'obturateur d'air	
Défaut de réglage de pression	Vérifier le réglage de pression	
Le brûleur de veilleuse ne s'allume pas	Orifice de veilleuse bouché	Nettoyer l'injecteur
Vis de réglage de veilleuse fermée	Ouvrir et régler la hauteur de flamme	
La veilleuse s'éteint tout le temps	Flamme de veilleuse trop petite	Vérifier la longueur de la flamme de veilleuse
Connexion du thermocouple desserrée	Serrer la connexion	
Thermocouple défectueux	Remplacer le thermocouple	
Robinet de gaz/sécurité défectueux	Remplacer le robinet	
Faible tension de sortie lors des essais de circuit ouvert	Flamme de veilleuse trop petite	Régler la longueur de la flamme de veilleuse
Tension de sortie élevée lors des essais de circuit ouvert, mais faible lors des essais de circuit fermé	Robinet de gaz/sécurité défectueux	Remplacer le robinet
Tension de sortie élevée lors des essais de circuit fermé, mais le robinet de sécurité de flamme ne reste pas ouvert	Robinet de gaz/sécurité défectueux	Remplacer le robinet
La porte ne reste pas fermée	Tension des ressorts insuffisante	Régler la tension
Ressort cassé	Remplacer le ressort	
Charnière cassée	Remplacer	
La porte ne reste pas ouverte	Tension des ressorts excessive	Régler la tension
La porte ne ferme pas d'un côté	Porte déformée	Remplacer la porte
La porte n'est pas de niveau ou basse au centre	Support de tourillon desserré	Mettre de niveau et serrer
	Support de tourillon usé	Remplacer
Four (standard uniquement)		
La flamme du brûleur s'éteint dès que la température requise est atteinte	Débit de dérivation du thermostat incorrect	Régler la dérivation ou remplacer le thermostat



REMPACEMENT DE PIÈCES (suite)

8. Retirez les deux vis de fixation du thermostat et retirez le thermostat vers l'avant.
 9. Libérez les clips de retenue du capteur du thermostat du revêtement du four et dégagez le capteur des clips.
 10. Retirez le capteur du thermostat du compartiment du four. Le thermostat doit être complètement délogé et peut être retiré de l'appareil.
 11. Mettez en place le thermostat de rechange et remontez l'appareil dans l'ordre inverse du démontage. N'oubliez pas de serrer les vis de chaque bouton de chaque robinet et du thermostat.
- ### Interrupteur d'alimentation
1. Retirez les vis maintenant le panneau de commande avant et dégagez-le de l'unité en le tirant.
 2. Débranchez les fils des bornes de l'interrupteur
 3. Appuyez sur les languettes du corps de l'interrupteur et poussez l'interrupteur à travers l'ouverture du panneau.
 4. Mettez en place un interrupteur de rechange et remontez dans l'ordre inverse du démontage en vous assurant que les fils sont bien fixés.
- ### Interrupteur de porte
1. Retirez les vis qui maintiennent le panneau de commande avant et dégagez-le de l'unité en le tirant.
 2. Retirez le couvercle de protection de l'interrupteur de porte.
 3. Retirez les dispositifs de fixation de l'interrupteur de porte sur le support de montage et retirez l'interrupteur.
 4. Débranchez les fils des bornes de l'interrupteur.
 5. Remplacez l'interrupteur et remontez l'unité dans l'ordre inverse.
- ### Veilleuse du four
1. Retirez les vis maintenant le panneau de commande avant et dégagez-le de l'unité en le tirant.
 2. Débranchez la connexion du thermocouple au robinet de gaz.
 3. Débranchez la veilleuse au niveau du robinet de gaz.
 4. Retirez le panneau avant inférieur.

5. Retirez le panneau de sole du four (pour les modèles RC, voir la section précédente, à la rubrique « nettoyage du brûleur »).
 6. Débranchez le tuyau d'alimentation en gaz de la veilleuse.
 7. Retirez les vis fixant le support de montage de la veilleuse au support de brûleur du four.
 8. Retirez l'ensemble de veilleuse.
 9. Remplacez le composant défectueux et remontez dans l'ordre inverse du démontage.
- ATTENTION : Ne serrez pas trop la connexion entre le thermocouple et le dispositif de sécurité de flamme. Il suffit de la serrer à la main et de la serrer ensuite d'un quart de tour.
- ### Fours à convection (module piézoélectrique)
1. Retirez les vis qui maintiennent le panneau de commande avant et dégagez-le de l'appareil en le tirant. Mettez soigneusement le panneau de côté en le posant sur un support.
 2. Retirez les vis de la plaque avant de support des composants et faites-la glisser vers l'avant.
 3. Débranchez les fils du module piézoélectrique.
 4. Retirez les vis qui maintiennent le module.
 5. Remplacez-le par un module neuf et remontez dans l'ordre inverse du démontage.
- ### Moteur de four à convection RC
1. Retirez les grilles du four de la cavité de cuisson.
 2. Retirez les deux (2) vis à ailettes qui fixent la grille de la turbine et retirez la grille.
 3. Avec une clé Allen, desserrez la vis fixant la turbine à l'axe du moteur.
 4. Retirez les six (6) vis fixant la plaque de montage du moteur à l'arrière du carter du four et tirez la plaque vers l'avant dans la cavité du four.
 5. Débranchez les fils des bornes du moteur, en prenant soin de noter les couleurs de fils et de bornes correspondantes.
 6. Remplacez par un moteur neuf et remontez dans l'ordre inverse du démontage.

1. Dévissez les vis de chaque bouton et retirez ces derniers de chaque robinet de gaz et du thermostat de l'appareil.
2. Retirez les deux vis maintenant le panneau des robinets et retirez-le.
3. Débranchez le tuyau de gaz du raccord à pression au collecteur principal à l'entrée du robinet de gaz.
4. Dévissez le robinet de gaz du collecteur.
5. Remplacez le robinet de gaz.
6. Remontez l'unité dans l'ordre inverse. N'oubliez pas de serrer les vis de chaque bouton à chaque robinet.

1. Dévissez les vis de chaque bouton et retirez ces derniers de chaque robinet de gaz et du thermostat de la cuisinière.
2. Retirez les deux vis maintenant le panneau des robinets et retirez-le.
3. Retirez les deux vis maintenant le panneau de commande avant et dégagez-le de l'unité. Mettez le panneau de côté. Manipulez le panneau des appareils RC avec précaution, car l'interrupteur d'alimentation est placé dessus.
4. Débranchez la conduite entre le robinet de gaz du four et le thermostat.
5. Débranchez la connexion du thermocouple à la sortie du robinet de gaz du four.
6. Retirez les deux vis de montage du thermostat et tirez sur le thermostat.
7. Débranchez le tuyau d'alimentation en gaz du four à la sortie du thermostat.

Thermostat du four

REMARQUE : pour les appareils à planche thermostatique, le thermocouple doit être retiré du fond du grill avant de retirer le robinet/thermostat. Pour cela, soulever l'ensemble de la planche (s'assurer qu'elle est bien soutenue) et retirer les thermoprotecteurs capillaires. Le robinet/thermostat se visse dans un raccord sur le collecteur principal. Il n'est pas nécessaire de retirer le raccord. Remonter dans l'ordre inverse du démontage. Remontez ensuite l'unité dans l'ordre inverse.

Avant de commencer toute opération d'entretien ou de maintenance sur un appareil de cuisson, COUPEZ l'alimentation en gaz au niveau du robinet d'arrêt principal et l'alimentation électrique au niveau de l'alimentation principale. À la fin de toute opération d'entretien, vérifiez l'absence de fuites de gaz avant de remettre l'appareil en service. Pour les opérations électriques, veillez d'abord à couper systématiquement l'alimentation électrique au secteur et à verrouiller le panneau de disjoncteurs. N'intervenez pas sur les équipements électriques sans avoir préalablement verrouillé l'alimentation de façon sécurisée.

AVERTISSEMENT :

Pour les pièces de rechange, les utilisateurs et le personnel de service doivent consulter la liste des pièces et accessoires pour les cuisinières à haut rendement de la série Cuisine US Range. Cette section du manuel ne concerne que le remplacement des pièces d'équipements de cuisson à haut rendement.

REMPACEMENT DE PIÈCES

4. Pour les fours à convection RC, suivez les procédures spécifiques pour le nettoyage de brûleur, puis débranchez le tube de la veilleuse de sa base et retirez les deux vis maintenant le support de la veilleuse au support du brûleur. Retirez le support et le brûleur de l'appareil. Retirez les vis maintenant le brûleur au support.
5. Retirez la veilleuse du brûleur.

6. Nettoyez la veilleuse en soufflant dedans ou en la nettoyant avec de l'eau.
 7. Remontez l'unité dans l'ordre inverse.
- ATTENTION :** n'utilisez pas de câble pour déboucher la veilleuse, car cela pourrait endommager l'unité.

ENTRETIEN (suite)

3. Nettoyez les brûleurs dans de l'eau chaude savonneuse avec une brosse à récurer rigide.
 4. Rincez les brûleurs et secouez-les bien pour éliminer l'eau.
 5. Assurez-vous que les orifices sont exempts de débris. Débarassez les orifices des débris si nécessaire.
 6. Remontez les brûleurs dans l'ordre inverse.
- Brûleurs du four standard**
1. Retirez le panneau de sole du four.
 2. Retirez les deux vis qui maintiennent le déflecteur avant en place et retirez ce dernier.
 3. Faites glisser le brûleur vers l'arrière, hors du raccord d'orifice, et retirez-le du four.
 4. Nettoyez le brûleur dans de l'eau chaude savonneuse avec une brosse à récurer rigide.
 5. Rincez le brûleur et secouez-le bien pour éliminer l'eau.
 6. Assurez-vous que les orifices sont exempts de débris. Débarassez les orifices des débris si nécessaire.
 7. Remontez les brûleurs dans l'ordre inverse.
- Brûleurs du four RC**
1. Retirez le panneau avant inférieur.
 2. Retirez le ressort de la porte droite du four.
 3. Retirez l'écran de protection avant droit.
 4. Faites glisser le brûleur vers l'arrière pour le retirer de l'orifice, puis faites-le glisser vers la droite et retirez-le de la chambre de combustion.
 5. Nettoyez les brûleurs dans de l'eau chaude savonneuse avec une brosse à récurer rigide.
 6. Rincez les brûleurs et secouez-les bien pour éliminer l'eau.
 7. Assurez-vous que les orifices sont exempts de débris. Débarassez les orifices des débris si nécessaire.
 8. Remontez les brûleurs dans l'ordre inverse.

Gril

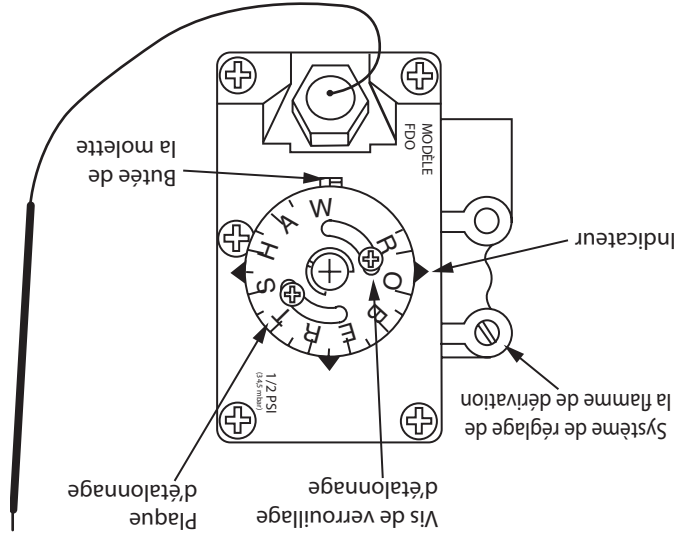
1. Retirez les grilles supérieures.
 2. Retirez les briquettes ou radiants.
 3. Soulevez le fond du brûleur et faites-le glisser vers l'arrière de l'orifice pour l'en retirer.
 4. Nettoyez les brûleurs dans de l'eau chaude savonneuse avec une brosse à récurer rigide.
 5. Rincez les brûleurs et secouez-les bien pour éliminer l'eau.
 6. Assurez-vous que les orifices sont exempts de débris. Débarassez les orifices des débris si nécessaire.
 7. Remontez les brûleurs dans l'ordre inverse.
- Nettoyage du brûleur de veille**
- Grille supérieure/plaque chauffante/planche/plaque chauffante brûleur à l'avant**
1. Retirez les brûleurs principaux. Reportez-vous à la section correspondant au nettoyage de brûleur.
 2. Débranchez le tuyau d'alimentation en gaz de la veilleuse.
 3. Retirez la veilleuse.
 4. Nettoyez la veilleuse en soufflant dedans ou en la lavant.
- ATTENTION : n'utilisez pas de câble pour déboucher la veilleuse, car cela pourrait endommager l'unité.**
5. Remontez le brûleur dans l'ordre inverse.
- Four**
1. Retirez le panneau de sole du four sur tous les modèles sauf à convection RC pour lesquels il convient de suivre la procédure ci-dessous.
 2. Retirez les deux vis qui maintiennent le déflecteur avant et retirez-le du four.
 3. Débranchez le tuyau d'alimentation en gaz de la veilleuse.

Il est recommandé de faire appel à un personnel compétent et qualifié pour effectuer un entretien et une maintenance réguliers en vue d'assurer le fonctionnement continu, sûr et efficace des équipements de cuisson.

AVERTISSEMENT : avant de travailler sur un appareil, coupez l'alimentation en gaz au niveau du robinet d'arrêt principal et l'alimentation électrique au niveau de l'alimentation principale. À la fin de toute opération d'entretien, vérifiez l'absence de fuites de gaz avant de remettre l'appareil en service.

Étalonnage du thermostat

Four



Pour vérifier l'étalonnage, suivez cette procédure :

1. Placez le thermocouple de l'instrument d'étalonnage ou un thermomètre à mercure au centre du four.
2. Réglez la température du four à 400 °F (202 °C) pour qu'elle se stabilise. Laissez le four effectuer deux cycles avant de faire une lecture d'étalonnage.
3. Vérifiez la lecture de la température lorsque la commande s'arrête pour la dérivation. Si la température ne s'affiche pas à moins de 15 °F (5 °C) du réglage sélectionné, recalibrez de la manière suivante.
4. Retirez la molette en vous assurant de ne pas modifier le réglage.
5. Tenez la plaque d'étalonnage et desserrez les deux vis de fixation de l'étalonnage jusqu'à ce que la plaque puisse être tournée indépendamment de la commande.
6. Tournez la plaque d'étalonnage jusqu'à ce que la température indiquée sur la plaque corresponde à la lecture de l'instrument. Maintenez la plaque et serrez fermement les vis.

7. Relancez la lecture de la température et vérifiez lorsque la commande s'arrête pour la dérivation, pour vous assurer que le réglage correct a été effectué.

Nettoyage/entretien des brûleurs

Brûleurs ouverts

1. Soulevez et retirez les grilles supérieures ouvertes.
2. Soulevez et retirez les têtes de brûleur. Soulevez le boîtier de venturi à l'arrière et faites-le glisser vers l'arrière pour le dégager des orifices.

3. Nettoyez les têtes de brûleur et le venturi dans de l'eau chaude savonneuse à l'aide d'une brosse à récurer rigide.
4. Rincez les têtes de brûleur et le venturi et secouez-les bien pour éliminer l'eau.
6. Assurez-vous que les orifices de gaz sont exempts de débris. Débarassez les orifices des débris si nécessaire.
7. Remontez les unités dans l'ordre inverse. Veillez à aligner l'orifice situé au bas de la tête du brûleur, la goupille étant dans le boîtier de venturi, afin que la tête repose correctement sur le boîtier. Installez également les grilles supérieures de manière à ce que les écrans intégrés couvrent les brûleurs supérieurs ouverts.

Brûleurs pour plaque chauffante brûleur à l'avant

1. Retirez les plaques de la cuisinière.
2. Retirez les deux vis qui maintiennent le déflecteur en place et retirez l'écran.
3. Soulevez le brûleur pour désengager la cheville de positionnement et faites-le glisser vers l'arrière de l'orifice.
4. Nettoyez les brûleurs dans de l'eau chaude savonneuse avec une brosse à récurer rigide.
5. Rincez les brûleurs et secouez-les bien pour éliminer l'eau.
6. Assurez-vous que les orifices sont exempts de débris. Débarassez les orifices des débris si nécessaire.
7. Remontez les brûleurs dans l'ordre inverse.

Brûleurs fixes de plaque chauffante/planche

1. Soulevez la planche ou les plaques chauffantes selon le cas.
2. Soulevez le fond du brûleur et faites-le glisser vers l'arrière de l'orifice.

Problème	Solution
Les gâteaux sont bruns sur les côtés, mais ne sont pas cuits au centre	Diminuer la température du four
Les bords des gâteaux sont trop bruns	Réduire le nombre de plats ou diminuer la température
Les gâteaux ont une couleur extérieure claire	Augmenter la température
Le gâteau est légèrement affaissé au milieu	Augmenter la durée de la cuisson ou augmenter légèrement la température du four Ne pas ouvrir les portes du four trop souvent ou trop longtemps
Formation de rides sur le gâteau	Plats surchargés ou pâte trop fine
Les gâteaux sont trop lourds	Diminuer la température du four
Les tartes ne sont pas de couleur uniforme	Réduire le nombre de tartes par plaque ou ne pas utiliser de moule de cuisson
Les madeleines sont fendues sur le dessus	Diminuer la température du four
Les viandes sont brunies, mais ne sont pas cuites au centre	Abaisser la température et prolonger le rôtissage
Les viandes sont trop cuites et brunies	Réduire la durée et limiter la quantité d'humidité
Les viandes présentent une croûte dure	Réduire la température ou placer un bac rempli d'eau dans le four

DÉPANNAGE DU FOUR À CONVECTION

- N'utilisez pas de plats profonds pour la cuisson de gâteaux, biscuits, etc., car la circulation de surface est essentielle pour une cuisson et un brunissement uniformes.
- Pour empêcher une perte de poids excessive, faites rôtir les viandes à basse température, entre 250° et 325°.
- Pour réchauffer des produits surgelés, préchauffez le four 50° au-dessus de la température de cuisson pour compenser la perte de chaleur pendant et après le chargement. Après le chargement, réglez le thermostat à la température de cuisson.
- Pour économiser l'énergie, arrêtez le four et laissez-le refroidir s'il n'est pas utilisé.

UTILISATION DU FOUR À CONVECTION (suite)

UTILISATION DU FOUR À CONVECTION

- À titre indicatif, réglez la température du four de 25° à 50° en dessous de celle indiquée dans les recettes ou les modes d'emploi pour les fours standard ou conventionnels. Le temps de cuisson peut être inférieur selon le produit préparé, entre 2 et 5 % en général. Surveillez le produit lors de la première préparation.
- Le temps de cuisson et la température du four varient en fonction de facteurs tels que le poids de la charge, la température du produit, le mélange de la recette et le taux d'humidité.
- Une fois établies des durées et des températures satisfaisantes pour vos produits, notez-les dans un tableau et conservez-les comme référence.
- Préchauffez bien le four avant de l'utiliser. Pour atteindre 350°, il faut compter environ 15 minutes. Pour un résultat optimal, le four doit être préchauffé pendant 30 minutes afin de permettre une bonne saturation de la chaleur.
- La charge doit être centrée sur les grilles afin de permettre une bonne circulation de la chaleur sur les côtés.
- Poids de la charge. Le four peut contenir trois (3) plaques à pâtisserie de 18 x 26" (45,72 x 66,04 cm), six (6) bacs à vapeur de 12 x 20 x 2,5" (30,48 x 50,8 x 6,35 cm) ou une (1) rôtissoire de 21 x 18 x 7" (53,34 x 45,72 x 17,78 cm) avec couvercle.
- Ne placez jamais les plats directement sur la sole du four. Utilisez toujours la position de grille la plus basse, ce qui permettra à l'air de circuler dans la cavité du four.
- Chargez et déchargez les aliments le plus rapidement possible pour éviter une baisse excessive de la température.
- Évitez d'utiliser des plats déformés, car la cuisson est plus régulière si les plats sont bien de niveau.

Les variations de conditions sur le terrain et la manipulation brutale de l'équipement lors du transport peuvent nécessiter de régler l'arrivée d'air des brûleurs. Vérifiez le fonctionnement et réglez comme indiqué ci-dessous pour obtenir une flamme bleu vif au débit maximal (ouvrez complètement la vanne pour que le thermostat demande un débit de gaz maximal). Localisez l'obturateur d'air sur le brûleur (supérieur ouvert, planche « H » brûleur articulé, grill, brûleurs de four). Desserrez le contre-écrou pour que l'obturateur d'air tourne librement (figure 6). Remettez le brûleur en place. Ouvrez le débit de gaz et allumez le brûleur. Faites tourner l'obturateur d'air pour obtenir les éléments suivants.

Réglages de l'arrivée d'air et de gaz des brûleurs

Une connexion trop lâche ou trop serrée de l'écran du thermocouple à la vanne automatique du brûleur de veille peut empêcher le thermocouple d'activer la vanne. Il faut le serrer à la main et le resserrer UNIQUEMENT d'un quart de tour à l'aide d'une clé.

La vanne automatique du brûleur de veille est un dispositif de protection qui permet au gaz de s'écouler vers le brûleur du four uniquement lorsque le brûleur de veille est allumé. (Ce dispositif est utilisé sur les cuisinières Cuisine et dispose d'un dispositif d'allumage sûr fourni par l'interrupteur de débit qui ne permet pas au gaz de s'écouler vers le brûleur du four tant que le bouton rouge est enfoncé.)

Vanne automatique du brûleur de veille

- Brûleur ouvert : cônes bleus intérieurs stables et vifs de 1/2" (1,27 cm).
 - Plaques chauffantes, planches et grills : cônes bleus intérieurs stables et vifs de 1/4 à 5/16" (1,27 à 0,79 cm).
 - Brûleurs articulés : flamme bleue stable de 4 à 6" (10,16 à 15,24 cm), pointes légèrement jaunes.
- Si les flammes du brûleur sont vives, mais qu'elles se détachent des orifices du brûleur, réduisez la quantité d'air en fermant l'obturateur. Si les flammes du brûleur sont paresseuses et d'apparence jaune, augmentez la quantité d'air en ouvrant l'obturateur. Si le brûleur continue de présenter de mauvaises performances, vérifiez la pression du gaz.
- REMARQUE : les débits indiqués dans le tableau C de la page 9 sont des débits maximaux et ne doivent pas être dépassés.

ENTRETIEN ET NETTOYAGE (suite)

Nettoyage du grill

Modèles C36-NRR/C36-NRC

Quotidien

1. Retirez les grilles du grill. Nettoyez-les à l'aide d'une brosse métallique pour éliminer les débris incrustés et lavez-les à l'eau chaude savonneuse. Une méthode classique de nettoyage consiste à retourner les grilles pour brûler les débris incrustés. Cependant, il convient de ne pas faire de même avec le grill à gaz Cuisine : La flamme du brûleur est protégée par un radiateur en fonte, ce qui fait que la chaleur, et non la flamme, atteint la grille. Il est probable que la matière incrustée cuira encore plus profondément au lieu de brûler.

2. Retirez les radiateurs et nettoyez-les à l'aide d'une brosse métallique pour puis lavez-les à l'eau chaude savonneuse. En règle générale, si les grilles sont incrustées, les radiateurs le sont aussi.

3. Le grill à gaz Cuisine est doté d'un double réceptacle. Le réceptacle à graisse avant (en haut de l'appareil) se verse dans un bac de 3 5/8" (9,21 cm) de large et de même profondeur que l'appareil. La graisse restante qui s'égoutte sur les radiateurs est recueillie par un second réceptacle couvrant le reste du fond du grill. Vérifiez régulièrement le fonctionnement du réceptacle et videz-le si nécessaire. Veillez aussi à vérifier régulièrement le réceptacle arrière. Essayez immédiatement les déversements et lavez les deux réceptacles à l'eau chaude savonneuse en fin de journée.

Hebdomadaire

Si l'entretien quotidien est effectué conformément aux recommandations ci-dessus, l'entretien hebdomadaire ne sera pas nécessaire, hormis le nettoyage effectué le dernier jour de la semaine de travail.

Modèles C36-ABR/C36-ABC

Quotidien

1. Retirez les grilles du grill. Nettoyez-les à l'aide d'une brosse métallique pour éliminer les débris incrustés et lavez-les à l'eau chaude savonneuse. Une méthode classique de nettoyage consiste à retourner les grilles pour brûler les débris incrustés. Cependant, il convient de ne pas faire de même avec le grill à gaz Cuisine : Il est probable que la matière incrustée cuira encore plus profondément au lieu de brûler.
2. Une fois les grilles retirées, retournez toutes les briquettes sur le modèle charbon céramique.

3. Retirez la grille perforée, le réceptacle et le bidon de graisse et nettoyez-les soigneusement.

Modèles C36-ARR/C36-ARC

Quotidien

1. Retirez les grilles du grill. Nettoyez-les à l'aide d'une brosse métallique pour éliminer les débris incrustés et lavez-les à l'eau chaude savonneuse. Une méthode classique de nettoyage consiste à retourner les grilles pour brûler les débris incrustés. Cependant, il convient de ne pas faire de même avec le grill à gaz Cuisine : La flamme du brûleur est protégée par un radiateur en fonte, ce qui fait que la chaleur, et non la flamme, atteint la grille. Il est probable que la matière incrustée cuira encore plus profondément au lieu de brûler.
2. Retirez les radiateurs et nettoyez-les à l'aide d'une brosse métallique pour puis lavez-les à l'eau chaude savonneuse. En règle générale, si les grilles sont incrustées, les radiateurs le sont aussi.

3. Le grill à gaz Cuisine est doté d'un double réceptacle. Le réceptacle de graisse avant (en haut de l'appareil) se verse dans un bac de 3 5/8" (9,21 cm) de large et de même profondeur que l'appareil. La graisse restante qui s'égoutte sur les radiateurs est recueillie par un second réceptacle couvrant le reste du fond du grill. Vérifiez régulièrement le fonctionnement du réceptacle et videz-le si nécessaire. Veillez aussi à vérifier régulièrement le réceptacle arrière. Essayez immédiatement les déversements et lavez les deux réceptacles à l'eau chaude savonneuse en fin de journée.

Règlages

Cavité du four

Les orifices supérieurs et du four sont fixes et ne peuvent donc pas être réglés. Le débit approprié est atteint si la pression d'alimentation en gaz est suffisante. Vérifiez la pression en utilisant le robinet de pression du collecteur "NPT (3,175 mm). Un obturateur d'air correctement réglé produira une flamme bleue distincte sur toute la surface de l'orifice des brûleurs lorsque le débit est au maximum.

Règlages du brûleur de veille

Toutes les vannes de réglage du brûleur de veille sont montées sur le collecteur supérieur de l'appareil. Le brûleur de veille correspondant au brûleur supérieur ouvert, au grill, à la planche ou au brûleur pour plaque chauffante doit permettre un allumage rapide du brûleur, mais ne doit pas empêcher sur une partie quelconque du brûleur. Lorsqu'elle est correctement réglée, la flamme du brûleur de veille ne doit pas se détacher du brûleur, ni présenter une pointe jaune.



Notez que la planche, les grilles supérieures et les brûleurs, les plaques chauffantes et les éléments du grill doivent être froids au toucher avant de procéder à toute opération de nettoyage.

Nettoyage de la planche

N'utilisez pas d'eau sur les planches supérieures lorsqu'elles sont encore chaudes et ne les refroidissez pas en utilisant de la glace ! La planche pourrait se déformer, voire se fissurer. Il ne s'agit pas d'un défaut de fabrication.

Pour des produits cuits à la planche de façon homogène et bien dorés, veillez à ce que la planche ne présente aucune trace de graisse carbonisée. La graisse carbonisée en surface empêche le transfert de chaleur à la surface de la planche vers le produit alimentaire. Il en résulte un brunissement inégal et une perte d'efficacité de la cuisson, et pire encore, la graisse carbonisée a tendance à s'accrocher aux aliments, leur donnant un aspect peu satisfaisant et peu appétissant. Pour veiller à ce que la planche reste propre et fonctionne au meilleur de ses performances, suivez ces instructions simples.

A. **Après chaque utilisation** : nettoyez soigneusement la planche à l'aide d'un grattoir ou d'une spatule. Essayez tout résidu du processus de cuisson.

B. **Une fois par jour** : nettoyez la surface de la planche avec une pierre à grill et un tampon adaptés. Retirez le réceptacle de graisse et nettoyez-le soigneusement comme tout ustensile de cuisson ordinaire.

C. **Une fois par semaine** : nettoyez la surface de la planche en profondeur. Si nécessaire, utilisez une pierre à grill ou un tampon adapté sur la surface de la planche. Frottez dans le sens du grain du métal pendant qu'il est encore chaud. Vous pouvez utiliser du détergent pour nettoyer la surface, mais vous devez en éliminer soigneusement tout résidu. Une fois le détergent rincé et essuyé, recouvrez la surface de la planche d'une fine pellicule d'huile pour éviter qu'elle ne rouille. Pour ôter toute trace de décoloration, utilisez un produit nettoyant non abrasif. La planche doit être à nouveau traitée avant d'être réutilisée. Veillez à ce que le tube de drainage vers le réceptacle de graisse ne soit jamais obstrué sur les modèles sans réceptacle latéral.

ATTENTION : cette planche est en acier, mais l'utilisation inappropriée d'une spatule peut rayer ou bosseler la surface qui est relativement douce. Veillez donc à ne pas rayer, érafler ou entailler la surface. Dans le cas contraire, les aliments resteraient accrochés. Veillez également noter que, s'agissant d'une planche en acier, il convient d'appliquer une légère couche d'huile pour éviter l'apparition de rouille sur les zones exposées.

Brûleurs supérieurs ouverts

Les brûleurs doivent régulièrement être retirés et nettoyés à l'eau chaude et au savon. Vous pouvez faire tremper le brûleur dans un seau d'eau chaude savonneuse et nettoyer la graisse ou les débris qui auraient brûlé à l'aide d'une brosse. Laissez le brûleur en fonte sécher complètement avant de l'installer sur l'appareil. Si les orifices du brûleur sont obstrués par de la graisse, il sera nécessaire de les déboucher à l'aide d'un fil ou d'un instrument pointu.

Grilles supérieures en fonte

Il est possible de nettoyer les grilles supérieures en fonte avec un savon doux et de l'eau chaude. Utilisez une brosse métallique pour les résidus adhérents aux grilles. Séchez soigneusement. Enduisez légèrement les grilles d'huile végétale pour éviter la formation de rouille.

Il est nécessaire de traiter les grilles supérieures après leur nettoyage pour éviter qu'elles ne rouillent.

Plaques chauffantes en fonte et plaques chauffantes brûleur à l'avant

N'utilisez PAS d'eau sur les plaques lorsqu'elles sont encore chaudes et ne les refroidissez PAS en utilisant de la glace !

Lorsque la surface est encore légèrement tiède, essuyez à l'aide d'un torchon propre en jute. Grattez les débris de déversements en surface. Si nécessaire, retirez les plaques et lavez-les dans un évier avec de l'eau chaude et du savon. Séchez soigneusement. Dans les milieux humides, étalez une légère couche d'huile pour empêcher la formation de rouille. Évitez d'utiliser trop d'eau, car cela pourrait endommager les surfaces et les commandes en dessous.

REMARQUE : la couleur de la surface des plaques chauffantes en fonte et plaques chauffantes brûleur à l'avant change (décoloration bleue/brune) à cause de la chaleur. Ceci n'a aucun effet sur l'efficacité et le fonctionnement de l'appareil et n'est pas considéré comme un défaut.

ENTRETIEN ET NETTOYAGE (suite)

Établissez un calendrier de nettoyage régulier. Tout déversement doit être essuyé immédiatement.

Il convient de laisser le four refroidir avant de nettoyer les surfaces extérieures. Lorsqu'elles sont froides, essuyez les surfaces exposées et nettoyables à l'aide d'un détergent doux et d'eau chaude. Les taches résiduelles tenaces peuvent être retirées avec un tampon à récurer doux et non métallique. Séchez-les correctement avec un chiffon propre.

REMARQUE : de nombreuses pièces de l'appareil commercial sont en acier brut (plaques chauffantes, planches, ressorts, crochets de porte, etc.) et peuvent réagir à l'humidité, formant ainsi de la rouille. Cela est normal et n'est pas considéré comme un défaut de fabrication. Il convient de les nettoyer avec un tampon en acier inoxydable ou en fibre. Il est possible d'appliquer une couche d'huile sans sel.

Extérieur en acier inoxydable et finitions intérieures de four standard

REMARQUE : débranchez le cordon de l'alimentation (le cas échéant) avant toute opération de nettoyage ou d'entretien.

Pour le nettoyage régulier, il suffit de laver les éléments avec une solution d'eau chaude et de détergent. Lavez juste une petite surface à la fois, sinon l'eau s'évapora en laissant des résidus de produits chimiques, ce qui laissera des traces. Rincez la zone lavée avec une éponge propre trempée dans une solution désinfectante et essuyez-la avec un chiffon doux avant qu'elle ne sèche.

Utilisez une pâte (à base d'eau et de poudre à récurer douce) s'il le faut, mais ne frottez jamais contre le grain. Les surfaces en acier inoxydable doivent être polies dans un seul sens. Frottez avec les lignes polies pour préserver la finition d'origine, puis rincez soigneusement comme précédemment. Pour éviter de laisser des empreintes sur les surfaces extérieures, il existe sur le marché plusieurs produits de polissage adaptés à l'acier inoxydable qui laissent un film huileux ou ondule. Ne les utilisez pas sur des surfaces qui seront en contact avec des aliments.

L'acier inoxydable peut se décolorer en cas de surchauffe. Ces taches peuvent généralement être éliminées en frottant vigoureusement avec une pâte à récurer en poudre.

N'utilisez que des ustensiles en acier inoxydable, en bois ou en plastique si nécessaire pour enlever les dépôts importants de graisse et d'huile. N'utilisez pas de raclettes ou de couteaux communs en acier, car des particules de fer peuvent s'incruster dans les surfaces et rouiller. N'UTILISEZ JAMAIS DE LAINE D'ACIER. Vous pouvez sans danger utiliser une solution à base d'eau de Javel ou de l'eau chaude pour désinfecter l'acier inoxydable.

Intérieur du four (finition émaillée en option)

REMARQUE : débranchez le cordon de l'alimentation (le cas échéant) avant toute opération de nettoyage ou d'entretien.

1. Avant de nettoyer l'intérieur du four, retirez toutes les grilles et tous les guides (s'il s'agit d'une base de type four à convection). Les grilles et les guides du four peuvent être nettoyés avec un savon doux et de l'eau chaude ou passés au lave-vaisselle.

2. L'intérieur émaillé peut être nettoyé avec des nettoyeurs pour four tels que Easy-Off ou Dow Oven Cleaner. N'appliquez ce produit que lorsque le four est froid.

UTILISATION (suite)

Grils

- Allumez les veilleuses à l'aide d'une longue allumette ou d'une chandelle par la ou les ouvertures du panneau de vanne.
- Allumez les brûleurs en les plaçant en position « ON ». Les brûleurs doivent présenter une flamme bleue de ¼ de haut.

Arrêt

- Placez toutes les vannes en position « OFF ».

ENTRETIEN ET NETTOYAGE

Traitement

Traitement de la planche

- Retirez tous les éléments de protection appliqués en usine en les lavant à l'eau chaude avec un détergent doux ou une solution savonneuse.
- Appliquez une fine couche d'huile de cuisson sur la surface de la planche, à raison d'environ 1 oz/pi² de surface. Étalez le produit à l'aide d'un chiffon sur toute la surface de la planche pour créer une fine pellicule. Essayez l'excès d'huile avec un chiffon.
- Allumez tous les brûleurs en les plaçant sur le réglage le plus bas possible. Une certaine décoloration se produit lorsque l'acier est exposé à une température très élevée.
- Faites chauffer lentement la planche pendant 15 à 20 minutes, puis essuyez l'huile. Répétez la procédure 2 à 3 fois jusqu'à ce que la planche ait une finition lisse, semblable à un miroir. Recommencez jusqu'à atteindre la température de cuisson souhaitée.

Nettoyage général

REMARQUE : débranchez le cordon de l'alimentation (le cas échéant) avant toute opération de nettoyage ou d'entretien. L'entretien et le nettoyage corrects des équipements de cuisson sont une partie importante de tout programme et permettent de maintenir ce dernier en bon état de fonctionnement. Ces remarques font office de code de bonne pratique pour les utilisateurs afin de maintenir un calendrier de nettoyage régulier.

Nettoyage

nettoyage pour éviter qu'elles ne rouillent.

est nécessaire de traiter les grilles supérieures après leur

Laissez brûler les sections supérieures pendant au moins 20 minutes avant de placer des ustensiles sur les grilles. Il est nécessaire de traiter les grilles supérieures après leur nettoyage pour éviter qu'elles ne rouillent.

AVERTISSEMENT : ne traitez pas les grilles lorsqu'elles sont encore sur l'appareil, car cela pourrait créer une flamme nue entraînant un embrasement éclair.

Retirez tout d'abord les grilles supérieures en fonte de l'appareil. Lavez soigneusement les grilles supérieures en fonte avec un savon doux et de l'eau chaude. Séchez-les correctement avec un chiffon propre. Immédiatement après le séchage, traiter légèrement le dessus des grilles avec une huile non toxique (huile végétale liquide ou huile en spray Pam).

Traitement des grilles supérieures en fonte

- Si l'appareil doit être arrêté pendant une période prolongée, fermez le robinet de gaz.

Frituses

- Reportez-vous au manuel d'instructions fourni séparément avec la friteuse.

Fours à convection RC

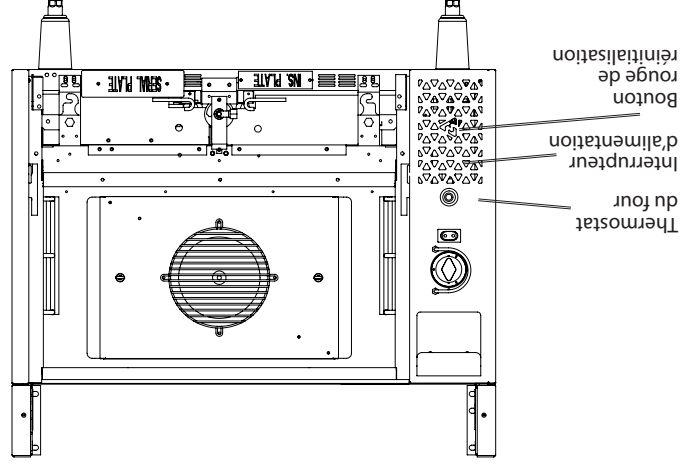
Pour une utilisation en 115 V, un cordon et une fiche sont fournis, mais le raccordement à l'électricité doit être conforme aux codes locaux. En l'absence de codes locaux, le raccordement doit être conforme au code national de l'électricité, soit à la norme ANSI/NFPA n° 70 (ou édition actuelle) aux États-Unis, ou au Code canadien de l'électricité C22.1-1-1990 (ou dernière édition), Partie I : Norme de sécurité pour les installations électriques et C22.2-1-1982 (ou dernière édition), Partie II : Exigences générales, dans le cas du Canada.

AVERTISSEMENT :

Instructions de mise à la terre.

Cet appareil est équipé d'un système de mise à la terre à trois broches pour garantir votre protection contre les risques d'électrocution et doit être branché directement à une prise à trois broches correctement mise à la terre. Ne coupez pas et ne retirez pas la broche de mise à la terre de la prise.

REMARQUE : en cas de panne de courant, n'essayez pas de faire fonctionner ce four. Bien que fonctionnant au gaz, il est doté de composants électriques, d'un moteur et d'interrupteurs de porte. Un schéma de câblage est disponible à l'arrière de l'appareil.



Instructions d'allumage

1. Retirez le panneau avant inférieur.

2. Placez l'interrupteur d'alimentation en position de cuisson. Cela active le module d'allumage et allume la veilleuse.

3. À l'aide de l'orifice d'accès sur le panneau de commande avant, à gauche de la porte du four (lorsque vous faites face à l'avant de l'appareil), appuyez sur le bouton de réinitialisation (rouge) situé au niveau de la vanne de sécurité du four et maintenez-le enfoncé. Continuez d'appuyer sur le bouton de réinitialisation pendant 60 secondes. Relâchez le bouton.

4. Si la veilleuse s'éteint après avoir relâché le bouton de réinitialisation, attendez 5 minutes et répétez les étapes 3 et 4.

Mise en service

1. Placez le bouton du four en position « ON ».

2. Placez le thermostat sur le réglage souhaité.

Retroidissement

1. Coupez le thermostat et fermez la vanne du four.

2. Ouvrez la porte du four.

3. Placez l'interrupteur principal en position de refroidissement.

Arrêt

1. Coupez le thermostat.

2. Remplacez l'interrupteur d'alimentation en position « OFF ».

3. Fermez la vanne du four.

Le moteur du four à convection ne nécessite aucun entretien, car il est équipé de roulements à billes scellés autolubrifiants. Il est conçu pour être durable lorsqu'il est utilisé régulièrement. Toutefois, quelques points sont à observer pour assurer le bon fonctionnement du moteur.

A. Lorsque le moteur tourne, il se refroidit intérieurement par l'entrée d'air située à l'arrière du carter du moteur, à condition qu'un dégagement suffisant ait été prévu.

B. La roue de la turbine étant située dans la cavité du four, elle est à la même température que le four. Si le moteur est arrêté alors que le four est en marche, la chaleur dégagée par la roue est conduite par l'arbre dans l'armature du moteur, ce qui peut réduire sa durée de vie.

C. Il est recommandé de laisser la porte du four ouverte à la fin du temps de cuisson ou de rôtiage, lorsque le four tourne pendant un certain temps au ralenti, ou avant d'arrêter le four complètement. Lorsque l'interrupteur de la turbine est en position de refroidissement, cette dernière tourne pendant encore au moins 20 minutes. La turbine ne doit jamais être placée en position « OFF » lorsque le four est chaud (HOT).

REMARQUE : n'appliquez jamais un poids supérieur à 222,3 kg/490 lb sur la partie supérieure de l'appareil.

1. Si l'appareil doit être arrêté pendant une période prolongée, fermez le robinet de gaz.
2. Répétez la procédure d'allumage ci-dessus.

REMARQUE : ne laissez jamais la porte du four ouverte lorsque le brûleur du four fonctionne.

1. Fermez toutes les vannes de gaz.
2. Attendez 5 minutes.
3. Répétez la procédure d'allumage ci-dessus.

Nouvel allumage

1. Si l'appareil doit être arrêté pendant une période prolongée, fermez le robinet de gaz.
1. Placez toutes les vannes et les thermostats en position « OFF ».

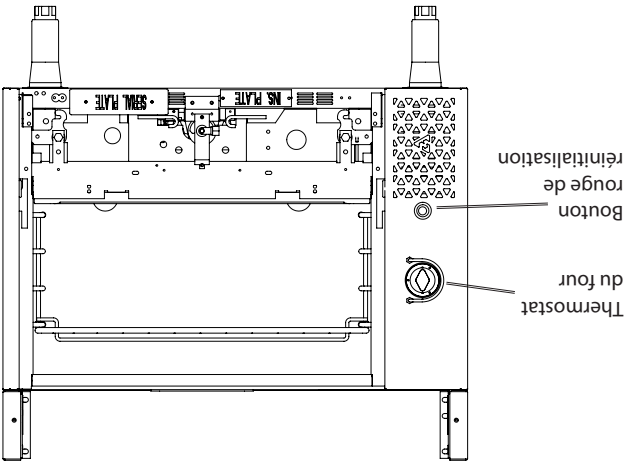
Arrêt

1. Appuyez sur le bouton de la vanne du four en position « ON ».
4. Tournez la molette de thermostat du four sur le réglage souhaité.

2. Appuyez sur le bouton de réinitialisation (rouge) situé à travers l'orifice d'accès sur le panneau de commande avant, à gauche de la porte du four (lorsque vous faites face à l'avant de l'appareil), et maintenez-le enfoncé. Tout en allumant la veilleuse du four, continuez d'appuyer sur le bouton de réinitialisation pendant 60 secondes. Relâchez le bouton. Si la veilleuse s'éteint, répétez cette procédure au bout de 5 minutes.

1. Retirez la sole du four.

Allumage



Four (standard)

Arrêt du gril

1. Placez toutes les vannes en position « OFF ».

Si l'appareil doit être arrêté pendant une période prolongée, fermez le robinet de gaz.

Planches à commande thermostatique

1. Allumez les veilleuses à l'avant droit du brûleur à l'aide d'une longue allumette ou d'une chandelle par l'ouverture du panneau de vanne.

2. Réglez les vannes thermostatiques au maximum, l'une après l'autre. Le brûleur doit présenter une flamme stable de 5/16 de haut. Si le brûleur ne s'allume pas au bout de 10 secondes, fermez la vanne, attendez 2 minutes et essayez à nouveau.

Arrêt

ATTENTION : ne laissez pas la planche chauffer pendant plus d'une minute. Elle doit être traitée avant utilisation (reportez-vous au passage intitulé « Traitement de la planche »).

1. Arrêtez toutes les vannes thermostatiques.

2. Si l'appareil doit être arrêté pendant une période prolongée, fermez le robinet de gaz.

Planches à commande par vanne

1. Allumez les veilleuses à l'avant droit du brûleur à l'aide d'une longue allumette ou d'une chandelle par l'ouverture du panneau de vanne.

2. Allumez les brûleurs en les plaçant en position « ON ». Les brûleurs doivent présenter une flamme bleue stable de ½ à 5/8 de haut. Si le brûleur ne s'allume pas au bout de 10 secondes, fermez la vanne, attendez 1 minute et essayez à nouveau.

ATTENTION : ne laissez pas la planche chauffer pendant plus d'une minute. Elle doit être traitée avant utilisation (reportez-vous au passage intitulé « Traitement de la planche »).

Arrêt

1. Placez toutes les vannes en position « OFF ».

2. Si l'appareil doit être arrêté pendant une période prolongée, fermez le robinet de gaz.

REMARQUE : n'appliquez jamais un poids supérieur à 222,3 kg/490 lb sur la partie supérieure de l'appareil.

MISE EN SERVICE (suite)

Réglage de la veilleuse

Généralités

1. Allumez la veilleuse conformément aux instructions d'utilisation du chapitre « Utilisation ».

2. Vérifiez la longueur de la flamme, puis réglez-la, si cela est nécessaire, afin d'obtenir les caractéristiques désirées. À travers l'ouverture du panneau de la vanne, vous pouvez régler, à l'aide d'un tournevis, la vanne de la veilleuse située à côté de la vanne du brûleur du système d'admission.

Four

1. Ouvrez le cache inférieur.

2. Retirez le panneau de sole du four.

3. Allumez la veilleuse conformément aux instructions d'utilisation.

4. Vérifiez la longueur de la flamme de la veilleuse. Réglez la flamme afin d'obtenir les caractéristiques désirées. À travers l'ouverture du panneau de la vanne, vous pouvez régler, à l'aide d'un tournevis, la vanne de la veilleuse située à côté de la vanne du brûleur du four raccordée au système d'admission.

UTILISATION

Ce chapitre comprend les instructions d'utilisation de

l'équipement ainsi que quelques méthodes de nettoyage simples et évidentes, qui vous permettront de garder votre

équipement en bonne condition.

Brûleurs supérieurs ouverts

1. Il est possible d'atteindre les veilleuses supérieures ouvertes à travers l'ouverture de la grille supérieure.

2. Allumez les veilleuses.

3. Ouvrez entièrement la vanne en plaçant le volant sur

la position « ON » (allumé). Si le brûleur ne s'allume pas au bout de 10 secondes, fermez la vanne, attendez 30 secondes et essayez à nouveau.

REMARQUE : le brûleur doit produire une flamme stable de 1/2" (1,27 cm) et atteindre la partie inférieure d'une casserole placée sur la grille supérieure.

Plaque/planche

1. Allumez la veilleuse conformément aux instructions d'utilisation.

2. Vérifiez la longueur de la flamme. Réglez la flamme afin d'obtenir les caractéristiques désirées. À travers l'ouverture du panneau de la vanne, vous pouvez régler, à l'aide d'un tournevis, la vanne de la veilleuse située à côté de la vanne du brûleur du système d'admission.

Plaque chauffante brûleur à l'avant

1. Allumez la veilleuse conformément aux instructions d'utilisation.

2. Vérifiez la longueur de la flamme. Réglez la flamme afin d'obtenir les caractéristiques désirées. À travers l'ouverture du panneau de la vanne, vous pouvez régler, à l'aide d'un tournevis, la vanne de la veilleuse située à côté de la vanne du brûleur du système d'admission.

Gril

1. Allumez la veilleuse conformément aux instructions d'utilisation.

2. Vérifiez la longueur de la flamme. Réglez la flamme afin d'obtenir les caractéristiques désirées. À travers l'ouverture du panneau de la vanne, vous pouvez régler, à l'aide d'un tournevis, la vanne de la veilleuse située à côté de la vanne du brûleur du système d'admission.

Arrêt du gril

1. Placez toutes les vannes en position « OFF ».

2. Si l'appareil doit être arrêté pendant une période prolongée, fermez le robinet de gaz.

Remarque : ne placez jamais de plaques de four sur les grilles supérieures ouvertes lorsque les brûleurs fonctionnent, ne les retournez pas et n'essayez pas de les utiliser comme un wok.

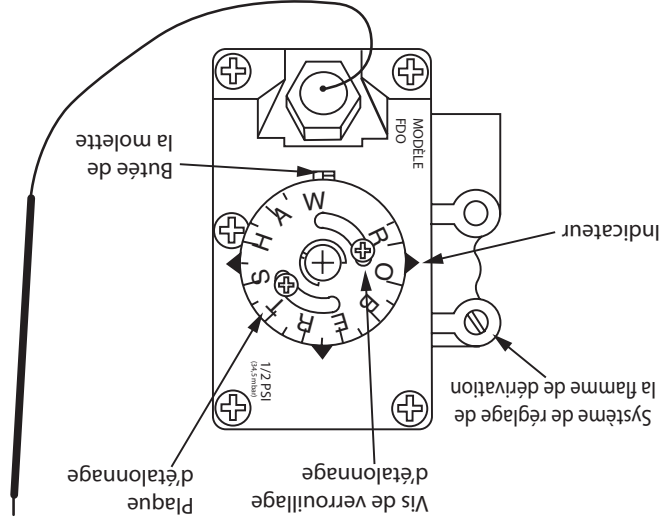
Plaque chauffante et plaque chauffante brûleur à l'avant

1. Allumez les veilleuses à l'aide d'une longue allumette ou d'une chandelle par l'ouverture du panneau de la vanne.

2. Allumez les brûleurs en les plaçant en position « ON ». Les brûleurs doivent produire une flamme bleue de ¼ (64 mm) de haut. Si le brûleur ne s'allume pas au bout de 10 secondes, fermez la vanne, attendez 1 minute et essayez à nouveau.

Réglage du système de dérivation de thermostat du four

Figure 5



Le système de dérivation du thermostat Robertshaw FDO à cliquets (figure 5) nécessite un réglage. Pour régler le système de dérivation, suivez la procédure suivante.

1. Réglez la température du four à 200 °F (93 °C), puis laissez chauffer le four pendant trois minutes.
2. Tournez la molette de commande du four sur la position « OFF » (éteint), puis tournez lentement la molette du thermostat dans le sens inverse des aiguilles d'une montre jusqu'à entendre un cliquetis.
3. Sans manipuler la molette de température du four, tournez la vis de réglage de la flamme de dérivation, puis réglez cette dernière jusqu'à obtenir la plus petite flamme stable possible couvrant tous les orifices du chapeau du brûleur. Tournez la vis de réglage dans le sens des aiguilles d'une montre ou dans le sens inverse afin d'augmenter ou de réduire la taille de la flamme de dérivation.

REMARQUE : pour plus d'informations concernant l'étalonnage, reportez-vous à la section « Etalonnage du thermostat » du chapitre « Entretien ».



1. Assurez que toutes les vannes sont fermées et tous les thermostats éteints.
2. Ouvrez la vanne d'arrivée de gaz principale. Allumez toutes les veilleuses supérieures.

Essai

Après avoir remplacé le volant, serrez la vis afin de le fixer à la vanne. Fixation. Cette vis doit être desserrée avant de retirer le volant. REMARQUE : le volant de chaque vanne est doté d'une vis de fixation. Cette vis doit être desserrée avant de retirer le volant. d'une utilisation ultérieure.

de fixation) doivent être entreposées en sécurité en vue des pièces retirées (y compris les systèmes et retenir les planches, les plaques chauffantes et les grilles four. Il peut être nécessaire de retirer ou au moins soulever des vannes, les panneaux inférieurs avant et les grilles de tuyaux de gaz et aux raccords, retirez le panneau et le volant tuyauterie. N'UTILISEZ PAS DE FLAMME ! Pour accéder aux vérifications au-dessus et autour des raccords et de la savonneuses ou tout produit semblable et effectuez les des détecteurs de fuite de gaz agréés et des solutions l'unité, et la tuyauterie ne présentent aucune fuite. Utilisez Vérifiez que les raccords, y compris les raccords internes de

Essai et réglages

1. Les régulateurs de pression doivent avoir une capacité de régulation maximale adaptée aux charges raccordées.
 2. Les régulateurs de pression installés doivent être certifiés par une agence nationale reconnue.
 3. Ils doivent pouvoir être réglés de manière à régler la pression du système d'admission conformément aux indications de la plaque signalétique de l'appareil.
 4. Un régulateur de pression doit être installé sur chaque appareil si la pression du système d'admission est différente pour chacun d'entre eux.
 5. La tuyauterie d'alimentation en gaz peut être raccordée à droite, à gauche ou bien de chaque côté d'une batterie, ou aux raccords en T des plaques d'assemblage. Si vous avez assemblé au moins cinq unités, installez plus d'un système d'alimentation. Un robinet de gaz agréé et facilement accessible doit être installé sur chaque système d'alimentation.
- AVERTISSEMENT : certains codes exigent que les régulateurs de pression soient ventilés de manière externe. Ces pièces sont fournies par des tiers.

Régulateurs de pression

3. Suivez la procédure ci-dessus afin de vérifier que toutes les vannes et tous les raccords ne présentent aucune fuite. Colmatez toute fuite, puis vérifiez de nouveau.
 4. Allumez la veilleuse du four.
 5. Si la cuisinière comporte un four doté d'un robinet d'arrivée séparé du thermostat, ouvrez ce robinet, puis réglez le thermostat à 500 °F (260 °C). Si la molette du thermostat du four comprend une position « Off » (éteint), le thermostat est équipé d'un robinet d'arrivée interne et intégral. Réglez la molette du thermostat sur 500 °F (260 °C). Dans les deux cas, le brûleur du four sera alimenté en gaz.
 6. Vérifiez, entre autres, que les vannes et les raccords ne présentent aucune fuite en suivant les instructions ci-dessus. Colmatez toute fuite, puis vérifiez de nouveau.
 7. Coupez toutes les vannes de l'appareil, puis éteignez le thermostat ou réglez-le sur une température basse. Toutes les unités sont testées et réglées en usine. Toutefois, les brûleurs et les veilleuses doivent être vérifiés lors de l'installation et réglés si cela est nécessaire.
- ATTENTION : les brûleurs supérieurs sont alimentés en gaz même si les veilleuses sont coupées. L'arrivée de gaz n'est pas coupée. L'utilisateur est tenu de vérifier l'allumage des brûleurs. Si le brûleur ne s'allume pas au bout de 10 secondes, coupez la vanne du brûleur, puis patientez pendant cinq minutes avant de réessayer.**
- ### Paramètres de pression (tous les modèles)
1. Assurez-vous que toutes les vannes de gaz sont coupées, puis ouvrez l'arrivée de gaz principale.
 2. Allumez toutes les veilleuses en suivant les instructions correspondantes.
 3. Raccordez un manomètre en U à la sortie d'essai située sur le système principal d'admission, puis allumez toutes les commandes de gaz.
- Vérifiez que la pression est identique à celle indiquée sur la plaque signalétique.

REMARQUE : en cas de panne de courant, n'essayez pas de faire fonctionner ce four. Bien que fonctionnant au gaz, il est doté de composants électriques, d'un moteur et d'interrupteurs de porte.

Assemblage de la batterie

Tous les modèles, à l'exception des modèles C36-ABR, C36-ARR, C36-ABC et C36-ARC, peuvent être installés sur les cuisinières de la gamme Cuisine, car ils partagent des raccords d'admission communs. Il est possible d'assembler les modèles de grils C36-ABR, C36-ARR, C36-ABC et C36-ARC à d'autres grils similaires. Toutefois, ils ne peuvent pas être fixés à d'autres unités de la gamme Cuisine.

- A. Toutes ces unités doivent être placées dans leur position respective. Retirez les panneaux des vanes afin d'éviter de les endommager et éloignez-les de la zone d'assemblage de la batterie.
- B. Mettez chaque unité à niveau (par rapport au rail avant) en réglant la hauteur des pieds de 6 pouces (15,25 cm). En l'absence de pieds, utilisez des cales. Si nécessaire, réglez de nouveau la hauteur des pieds.

- C. Assemblez les unités en fixant les raccords situés à chaque extrémité du système d'admission. (Les unités doivent être dotées de raccords identiques, ou possédant les mêmes caractéristiques, sans quoi un raccordement étanche ne peut pas être garanti.) Serrez manuellement les raccords.

- D. Fixez les unités en faisant passer des boulons de 5/16" (7,9 mm) à travers les orifices situés à l'arrière des côtés du châssis des brûleurs. Placez des rondelles et un écrou, puis serrez manuellement. Assurez-vous que chaque unité est correctement alignée avant de finir de serrer les boulons ou les raccords. En effet, un mauvais serrage peut entraîner l'écartement ou la courbure des unités.

- E. Le système d'admission de cette unité ou celui auquel elle est raccordée doit être équipé d'un régulateur de pression convenant aux installations en batterie et permettant de régler la pression de sortie conformément aux indications de la plaque signalétique.

Ventilation et arrivée d'air

Les cuisinières doivent être placées de sorte que le flux d'air destiné à la combustion et à la ventilation ne soit pas obstrué. Un dégagement suffisant doit être maintenu autour des chambres de combustion pour assurer la circulation de l'air. Évitez d'installer des unités à convection dos à dos avec un appareil émettant une forte chaleur, tel qu'un gril à bois ou à charbon. De fortes températures peuvent réduire la durée de vie du moteur de convection.

Une bonne ventilation est essentielle au bon fonctionnement des unités. La méthode de ventilation idéale consiste à utiliser une hotte adaptée, qui doit dépasser d'environ six pouces (152 mm) de chaque côté de l'appareil et être située à six pieds et six pouces (1981 mm) du sol.

Un extracteur puissant permet de créer un vide dans la pièce. Afin d'assurer le bon fonctionnement de celui-ci, de l'air doit pouvoir pénétrer dans la pièce dans laquelle il est situé.

Les brûleurs et les veilleuses à gaz ont besoin d'assez d'air pour fonctionner. Par conséquent, veillez à ce qu'aucun objet ne soit placé devant l'appareil ni n'obstrue la circulation de l'air par l'avant. Les remarques suivantes ont pour but de fournir des conseils généraux. Pour obtenir des recommandations détaillées, consultez le code applicable en vigueur dans votre pays.

REMARQUE 1 : la pièce où est situé l'appareil doit être dotée d'un système d'aération permanent. La surface effective minimale de la bouche d'aération est liée au débit thermique de l'appareil et doit être égale à $4,5 \text{ cm}^2/\text{kW}$ ($2,04 \times 10^{-4} \text{ in}^2/\text{BTU/h}$), s'il dépasse 7 kW (23 900 BTU/h).

REMARQUE 2 : les bouches d'aération doivent être assez grandes pour compenser les effets de tout extracteur situé dans les locaux.

INSTALLATION (suite)

Si non, installez une vanne d'isolation automatique pouvant être actionnée depuis un emplacement facile d'accès situé près d'une sortie.

À l'emplacement de la vanne d'isolation manuelle ou depuis lequel la vanne automatique peut être réinitialisée, PLACEZ l'avertissement suivant :

« TOUT BRÛLEUR ET ROBINET PILOTE SITUÉ EN AVAL DOIT ÊTRE COUPÉ AVANT D'ESSAYER DE RÉTABLIR L'ALIMENTATION À LA SUITE D'UNE INTERRUPTION PROLONGÉE. PURGEZ LE SYSTÈME AVANT DE RÉTABLIR L'ALIMENTATION EN GAZ. »

Remarques concernant l'alimentation en gaz :

Avant de procéder à l'assemblage et au raccordement de l'installation, vérifiez l'alimentation en gaz.

A. Le type de gaz adapté à l'unité est indiqué sur la plaque signalétique située derrière le panneau avant inférieur.

Les unités sur lesquelles figure l'inscription « NAT » doivent être uniquement raccordées à une arrivée de gaz naturel, et celles sur lesquelles figure « PRO » doivent être uniquement raccordées à une arrivée de propane.

B. S'il s'agit d'une nouvelle installation, faites appel à votre compagnie de gaz pour vérifier la taille du compteur et la tuyauterie et ainsi vous assurer que l'unité est alimentée en gaz à une pression suffisante à son bon fonctionnement.

C. Si l'installation vient s'ajouter à des équipements existants ou quelle les remplace, faites appel à votre compagnie de gaz afin de vérifier que le compteur existant et la tuyauterie alimentent l'installation et qu'ils ne présentent pas de baisse de pression supérieure à 1/2"CE (1,25 mbar).

REMARQUE : lorsque vous vérifiez la pression de gaz, assurez-vous que tous les autres équipements sont reliés à la même arrivée de gaz. Aucun régulateur de pression n'est livré avec l'équipement standard à haut rendement de la gamme américaine. Toutefois, un régulateur de pression 1-1/4" (3,18 cm) est disponible en option avec l'équipement d'origine. Si vous souhaitez acheter un régulateur après votre premier achat, contactez le distributeur de votre équipement. L'installation doit être conforme à la norme ANSI Z223.1-1988 du National Fuel Gas Code ou à sa version la plus récente (NFPA n° 54, dernière version), et à la norme ANSI/NFPA 70-1990 du National Electrical Code ou à sa version la plus récente ou locale du code, pour assurer un fonctionnement sûr et efficace. Au Canada, l'installation doit être conforme au Code d'installation du gaz naturel (CAN/CGA-149.1) ou au Code d'installation du propane (CAN/CGA-B149.2) et à la législation locale lorsqu'elle s'applique.

Au Canada, les branchements électriques doivent être conformes aux articles correspondants du Code canadien de l'électricité (C22.1-1990 ou dernière version), « Safety Standard for Installation, Part 1 », et au code C22.2-n° 0-M 1982 (ou dernière version), « General Requirements, Part 2 ».

Remarque : l'appareil et son robinet de gaz doivent être débranchés

du réseau d'alimentation en gaz lors de tout essai de pression effectué sur ce réseau, si la pression dépasse 1/2 PSIG (3,45 kPa).

Cet appareil doit être isolé du réseau d'alimentation en gaz en fermant le robinet d'arrivée manuel (non fourni) avec l'appareil) à chaque essai du réseau à des pressions égales ou inférieures à 1/2 PSIG (3,45 kPa).

REMARQUE : cet appareil n'est pas recommandé pour une installation résidentielle.

Raccord de gaz

Il est possible de raccorder la tuyauterie de gaz à gauche ou à droite de l'équipement, ou bien à l'arrière de certaines unités.

Remarque : si vous raccordez l'arrivée de gaz à l'aide d'un

tube flexible, fixez un système de maintien à l'unité.

La taille du filetage de la tuyauterie qui alimente l'appareil ne doit pas être inférieure à celle du filetage du raccord d'entrée, à savoir 1 1/4" NPT (3,18 cm). (Remarque : il convient de déterminer s'il est nécessaire d'installer un raccord unique possédant un filetage de 3/4" NPT [0,64 cm]). Il est recommandé d'installer une vanne d'isolation près de l'appareil et en amont de celui-ci, ainsi qu'un régulateur de pression, afin de couper l'alimentation en gaz en cas d'urgence et lors d'opérations d'entretien. Un régulateur de pression doit être installé sur l'appareil avant de le raccorder au système d'alimentation en gaz. Dans le cas contraire, la garantie de l'équipement serait annulée. Après l'installation, vérifiez que la tuyauterie ne présente aucune fuite.

Alimentation électrique

(modèles dotés d'un four à convection uniquement)

L'alimentation électrique doit être monophasée, d'une tension de 115 V et d'une fréquence de 60 Hz. L'équipement peut également être alimenté à une tension de 240 V et à une fréquence de 60 Hz.

Dans ce cas, l'équipement doit être raccordé au bornier situé à l'arrière des cuisinières dont le nom de modèle contient le suffixe « C ».

Afin de faciliter le raccordement à l'alimentation, l'équipement est doté d'un panneau amovible. Un électricien qualifié doit effectuer le raccordement au secteur conformément aux codes locaux en vigueur.

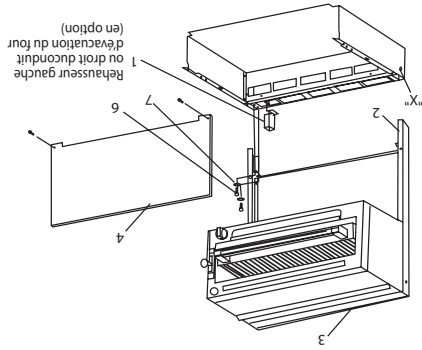
AVERTISSEMENT : instructions de mise à la terre.

Cet appareil est équipé d'une fiche de mise à la terre à trois broches pour garantir votre protection contre les risques d'électrocution et doit être branché correctement à une prise à trois broches correctement mise à la terre. Ne coupez pas et ne retirez pas la broche de mise à la terre de la prise.

7. Remplacez le panneau avant en alignant les orifices sur les goujons des montants, puis revissez les vis à tôle (élément 5) précédemment retirés.
8. Après avoir installé le panneau avant, installez l'étagère (élément 8) en accrochant sa partie supérieure sur la partie supérieure du panneau avant. Les goujons filetés des montants passent à travers les orifices situés à l'arrière de l'étagère. Fixez l'étagère aux goujons à l'aide des écrous borgnes de 1/4" x 20 fournis (élément 9).
9. Dans le cas d'étagères doubles, fixez l'étagère inférieure (qui a une partie arrière plate et qui ne possède pas de crochet supérieur) sur les montants à travers le panneau avant en serrant les contre-écrous (élément 9) fournis sur les goujons effilés de 1/4" x 20 (6,4 x 508 mm) des montants.

Instructions d'installation de la salamandre ou du grill à fromages Cuisine

Figure 4



1. Retirez les quatre boulons hexagonaux 5/16 x 18 et les rondelles plates (éléments 6 et 7) de la partie arrière supérieure de l'unité.
2. Retirez le panneau avant (élément 2) en retirant les deux vis à tôle (élément 2) de la partie inférieure de la salamandre ou du grill à fromages.

3. En laissant le panneau arrière (élément 3) fixé aux montants (élément 2), placez les montants dans les ouvertures rectangulaires situées à l'arrière de la cuisinière.

4. Fixez les montants (élément 2) sur la cuisinière à l'aide des quatre boulons 5/16" x 18 (7,94 x 457 mm) et des rondelles plates (éléments 6 et 7) précédemment retirés.
5. Si la cuisinière fait partie d'un ensemble, fixez les unités par l'orifice marqué d'un « X » à l'aide de boulons 1/4" x 20 (6,4 x 508 mm), d'écrous et de rondelles.

6. Fixez de nouveau le panneau avant (élément 4) sur la salamandre ou le grill à fromages à l'aide des vis à tôle précédemment retirés.

Alimentation en gaz

Consultez votre compagnie de gaz lors de la planification de l'installation, afin de vous assurer de la disponibilité et de l'adéquation de l'alimentation en gaz, et pour garantir que le compteur permet d'obtenir un débit convenable. La tuyauterie courant du compteur aux appareils doit être de taille adéquate. Un tuyau doit alimenter au maximum cinq appareils lorsque ces derniers forment un ensemble.

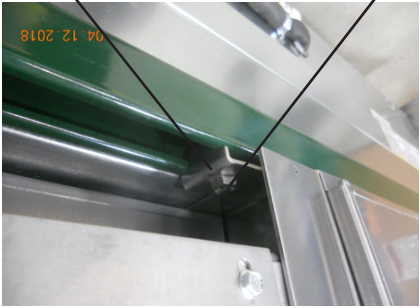
Tout appareil fixe (immobile) DOIT être raccordé en amont à un robinet de gaz manuel afin de pouvoir être isolé à des fins d'entretien et de nettoyage. Un raccord union ou tout autre moyen de déconnexion doit être installé entre le robinet de gaz et l'appareil.

Une vanne manuelle doit être installée sur l'arrivée de gaz de la cuisine afin de l'isoler en cas d'urgence. Lorsque cela est possible, placez-la hors de la cuisine ou près d'une sortie, à un emplacement facilement accessible.

L'installation de cet appareil doit être réalisée par une personne compétente et conformément aux réglementations, aux publications et aux codes de bonnes pratiques pertinents du pays de destination.

Réglementations

Boulin de blocage (fourni avec l'unité modulaire Cuisine)
 Rail de blocage (fourni avec l'unité modulaire Cuisine)



Instructions d'installation des unités réfrigérées Delfield modulaires Cuisine aux sous-ensembles réfrigérés Delfield

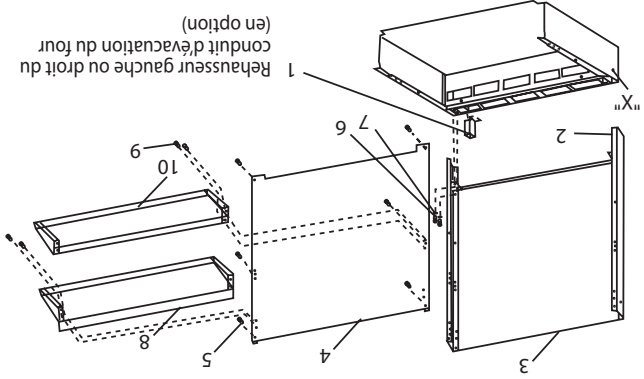
Les sous-ensembles réfrigérés Polar Cuisine de la marque Delfield disposent d'un profilé en U sur toute leur partie arrière, qui comprend des écrous en T à ressort. À l'aide des glissières et des boulons fournis avec l'unité modulaire, fixez les angles arrière de l'unité au profilé en U du sous-ensemble réfrigéré en boulonnant les glissières aux écrous en T du profilé (voir photographie ci-dessous).

Rehausseurs arrière simples

Suivez les instructions relatives à la plaque arrière double. La plaque arrière simple ne possédant aucun boulon épaulé, l'installation et le retrait du panneau avant consistent uniquement à dévisser et revisser les quatre vis à tôle #10 x 1 1/4" (254 x 31,75 mm) (élément 5).

Instructions d'installation des étagères simples et doubles Cuisine

Figure 3



1. Retirez les quatre boulons 5/16" x 18 (7,94 x 457 mm) et les rondelles plates de la partie arrière gauche de l'unité (éléments 6 et 7).

2. Retirez les quatre écrous borgnes de 1/4" x 20 (6,4 x 508 mm) qui permettent de fixer l'étagère (élément 9), puis retirez l'étagère.

3. Retirez les six vis à tôle #10 (élément 5) qui retiennent le panneau avant (élément 4) sur les montants (élément 2).

4. En laissant le panneau arrière (élément 3) fixé aux montants (élément 2), placez les montants dans les ouvertures rectangulaires situées à l'arrière de la cuisinière.

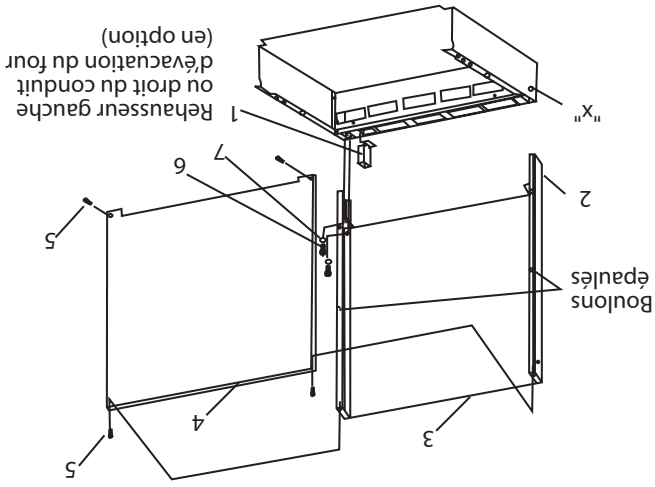
5. Fixez les montants (élément 2) sur la cuisinière à l'aide des quatre boulons 5/16" x 18 (7,94 x 457 mm) et des rondelles plates précédemment retirés.

6. Si l'appareil fait partie d'un ensemble, fixez les unités par l'orifice marqué d'un « X » à l'aide de boulons 1/4" x 20 (6,4 x 508 mm), d'écrous et de rondelles.

Instructions d'installation des rehausseurs arrière Cuisine

Rehausseurs arrière doubles

Figure 2



1. Dévissez les quatre boulons 5/16 (7,94 mm) et les rondelles plates de la partie arrière gauche de l'unité.

2. Dévissez les quatre vis à tôle #10 x 1 1/4" (254 x 31,75 mm) (élément 5) des angles avant gauche et droit du panneau avant. Retirez le panneau avant en le soulevant, puis en le tirant afin de libérer la tête des boulons épaulés fixés aux montants (élément 2).

3. En laissant le panneau arrière (élément 3) fixé aux montants (élément 2), placez les montants dans les ouvertures rectangulaires situées à l'arrière de la cuisinière.

4. Fixez les montants (élément 2) à la cuisinière à l'aide des quatre boulons 5/16" x 18 (7,94 x 457 mm) et des rondelles plates (éléments 6 et 7) retirés à l'étape 1.

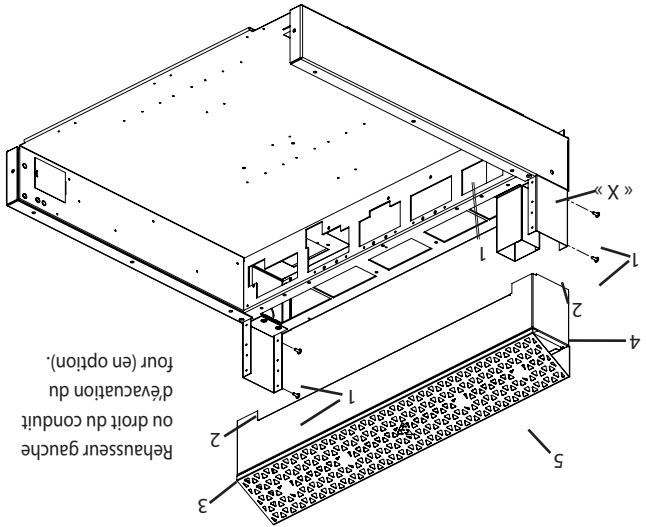
5. Si la cuisinière fait partie d'un ensemble, fixez les unités par l'orifice marqué d'un « X » à l'aide de boulons 1/4" x 20 (6,4 x 508 mm), d'écrous et de rondelles.

6. Remplacez le panneau avant en alignant les crans situés à l'arrière de celui-ci avec la tête des boulons épaulés, puis abaissez le panneau avant jusqu'à ce que sa partie supérieure repose sur la partie supérieure des montants. Les boulons épaulés maintiendront le panneau en place. Revissez les vis à tôle (élément 5) précédemment retirées.

Les pieds sont à la même hauteur. Les pieds peuvent être réglés afin de mettre l'unité à niveau sur un sol irrégulier.

Instructions d'installation du dossier de la gamme Cuisine

Figure 1



1. Dévissez les quatre vis à tôle autotaraudeuses #10-24 (élément 1) de l'arrière des montants (élément 2) installés sur la cuisinière, et réservez-les.
2. Installez le dossier (élément 3) sur les montants (éléments 2) de la cuisinière, puis replacez les vis retirées à l'étape 1 dans les orifices du panneau arrière du dossier (élément 4) et à l'arrière de sa partie supérieure (élément 5).
3. Si la cuisinière fait partie d'un ensemble, fixez les unités par l'orifice marqué d'un « X » à l'aide de boulons 1/4" x 20 (6,4 x 508 mm), d'écrous et de rondelles.

REMARQUE : le dossier est expédié préassemblé (avec la cuisinière) comme équipement standard de toutes les unités Cuisine, à moins qu'une étagère haute ou un rehausseur arrière ne soit commandé.

3. Placez l'appareil dans la position requise et mettez-le à niveau à l'aide des pieds réglables ou de cales, si l'appareil n'a pas de pieds.

4. Lorsque des plaques d'assemblage sont installées entre les unités, celles-ci sont fixées à l'avant à l'aide de l'admission de gaz, et à l'arrière au moyen de boulons.
5. Raccordez le tuyau d'alimentation en gaz à l'appareil. Il est possible de le raccorder à gauche ou à droite de l'appareil, ou bien à l'arrière de certains modèles.

Emplacement

Le sol sur lequel l'appareil est installé doit pouvoir supporter le poids de ce dernier et de tout équipement accessoire.

Des pieds doivent être fixés aux unités dotées d'un four, si celles-ci sont installées sur un sol inflammable. La zone autour de l'appareil doit être dégagée et aucune substance inflammable ou combustible ne doit s'y trouver.

Appareils équipés de roulettes

- A. L'installation doit être effectuée à l'aide d'un raccord conforme à la norme ANSI Z21.69/CSA 6.16 en matière de raccords pour appareils à gaz mobiles et à l'annexe Z21.69B-2006/CSA 6.16B-2006 (ou bien à sa dernière version), et doit disposer d'un raccord à débranchement rapide conforme à la norme ANSI Z21.41/CSA 6.9 relative aux raccords à débranchement rapide pour appareils à gaz ainsi qu'à l'annexe Z21.41A-2005/CSA 6.16A-2005 (ou bien à sa dernière version).

- B. Les roulettes avant de l'appareil disposent de freins pour limiter les mouvements de l'appareil sans pour autant dépendre du raccord et de tout dispositif de débranchement rapide ou des tuyaux associés.

- C. Attention : le câble de retenue est fixé à un crochet situé sur la roulette arrière gauche. S'il est nécessaire de décrocher le câble, assurez-vous de raccrocher l'appareil après l'avoir replacé dans sa position normale.

Appareils équipés de pieds

Levez la partie avant de l'unité, puis maintenez-la en position. Ne couchez pas l'unité sur sa partie arrière. Insérez le pied dans l'ouverture prévue pour le fixer, puis enfoncez-le jusqu'à ce qu'il loge dans la bride à cornière. Répétez l'opération à l'arrière de l'unité et assurez-vous que les quatre



INTRODUCTION

Déballage

1. Vérifiez que la caisse n'a pas été endommagée durant son transport. Retirez soigneusement l'unité de sa caisse, puis vérifiez qu'elles ne présentent aucun dommage. Si l'appareil est endommagé, signalez-le immédiatement au transporteur.

2. Les câbles qui retiennent les brûleurs et les autres matériaux d'emballage doivent être retirés de l'unité. Toutes les protections couvrant les pièces en acier inoxydable doivent également être retirées.
3. Sauf indication contraire, les pieds sont fixés aux équipements en usine. Lorsque les équipements sont montés sur une plateforme ou une plinthe, ils sont expédiés sans leurs pieds. Ces derniers doivent alors être fixés au four, si celui-ci est installé sur un sol inflammable.

4. Le type de gaz à utiliser et la pression d'alimentation définie pour l'équipement lors de sa fabrication sont indiqués sur la plaque signalétique et sur l'emballage. Veillez à utiliser le type d'alimentation en gaz indiqué.
5. Ne retirez pas les étiquettes, les avertissements et les plaques signalétiques de l'appareil, car cela annulerait la garantie du fabricant.

Plaque signalétique

Chaque unité de cuisson possède une plaque signalétique. Les informations qui y figurent comprennent le numéro de modèle et de série. Vous aurez besoin de connaître le numéro de modèle et de série de l'équipement si vous devez commander des pièces de rechange ou signaler des problèmes au service d'assistance technique de Garland. La plaque signalétique indique également le débit d'alimentation des brûleurs (en BTU/h), la pression d'admission du gaz (en pouce de colonne d'eau [CE]) et si les orifices sont destinés à du gaz naturel ou à du propane. Le tableau suivant indique l'emplacement de la plaque signalétique en fonction des modèles, et le tableau B du chapitre « Spécifications » énumère les modèles d'équipements à haut rendement de la gamme américaine d'unités à gaz.

SUFFIXE DU MODÈLE		EMPLACEMENT	
R ou C	Derrière le cache inférieur.	S	Sur le panneau gauche du compartiment de rangement.
M	Sur le panneau avant.		

REMARQUE : les équipements de cuisson à gaz à haut rendement de la gamme Cuisine doivent être alimentés par le type de gaz indiqué sur la plaque signalétique.

Dégagement entre l'appareil et les éléments combustibles

MODELES	DISTANCE
C36-ARR/-ARC	Installation dans un emplacement ne présentant aucun élément inflammable et sans dégagement sur les côtés et à l'arrière
C36-NRR/-NRC	
C24/C36-ABS	
C24/C36-ARS	
C18/C24/C36-NRS	
C18/C24/C36-NRM	
Tous les autres modèles	

1. Tous les modèles peuvent être installés directement sur des éléments non inflammables.

Procédure d'installation

1. Retirez tous les matériaux d'emballage.
 2. Retirez le panneau de la vanne avant.
- REMARQUE : laissez un espace suffisant autour de l'appareil afin d'en assurer l'entretien et le bon fonctionnement.
- REMARQUE : lorsque l'unité est installée sans ses pieds sur une bordure ou une plateforme non inflammable, la partie avant de celle-ci doit dépasser d'au moins 3 pouces (76 mm).

Tableau C : valeurs d'alimentation

TYPE DE GAZ		Numéro de modèle
Propane (10"CE/25 mbar)	Naturel (6"CE/15 mbar)	
BTU/h	BTU/h	Brûleur ouvert pour les modèles : C36-2,-2-1,-6,-6SU,-12,-13,-15 (avant)
33 000	35 000	Brûleur ouvert pour les modèles : C36-4,-4-1,-7,-14,-17
38 000	40 000	Brûleur pour plaque chauffante arrière C36-15
12 500	12 500	Brûleur pour plaque chauffante brûleur à l'avant C36-10,-11,-17
25 000	25 000	Brûleur pour plaque chauffante C36-3,-3-1,-8,-12,-13,-12" (30,5 cm)
32 500	32 500	Brûleur pour plaque chauffante C36-5,-5-1,-9,-11,-14, 18" (45,7 cm)
30 000	30 000	Brûleur pour planche C36-1,-1-1,-2,-2-1,-3,-3-1,-4,-4-1,-5,-5-1
35 000	37 000	Brûleur pour four à convection C36
45 000	45 000	Brûleur pour grill C24/36-AB
18 000	18 000	Brûleur pour grill C18-NR, C24/36-AR,-NR
35 000	40 000	Brûleur pour four standard C36

(Remarque : ces données s'appliquent aux appareils utilisés à une altitude supérieure ou égale à 610 m par rapport au niveau de la mer.)



SPÉCIFICATIONS (suite)

MODELES	DESCRIPTION
Modèles de planche supplémentaires	
Unités de 48" (122 cm) de largeur	
C48-1R	Base de four standard de 36" (91,5 cm) + base de rangement de 12" (30,5 cm) + planche manuelle de 48" (122 cm)
C48-1R	Base de four standard de 36" (91,5 cm) + base de rangement de 12" (30,5 cm) + planche thermostatique de 48" (122 cm)
C48-1C	Base de four RC de 36" (91,5 cm) + base de rangement de 12" (30,5 cm) + planche manuelle de 48" (122 cm)
C48-1C	Base de four RC de 36" (91,5 cm) + base de rangement de 12" (30,5 cm) + planche manuelle de 48" (122 cm)
C48-1S	Base de four RC de 36" (91,5 cm) + base de rangement de 12" (30,5 cm) + planche thermostatique de 48" (122 cm)
C48-1M	Plaque modulaire de 48" (122 cm) + planche manuelle de 48" (122 cm)
C48-1-1M	Plaque modulaire de 48" (122 cm) + planche thermostatique de 48" (122 cm)

DÉFINITION DES PRÉFIXES		C	Cuisine
DÉFINITION DES SUFFIXES			

A	Gril
M	Section de plaque modulaire
C	Unité à four à convection
R	Unité à four standard
SU	Brûleur surélevé
S	Unité à base de rangement

MODELES	DESCRIPTION
C36-ABR	Pierre volcanique et grilles réglables de 36" (91,5 cm) de largeur
C36-ARR	Foyers radiants en fonte et grilles réglables de 36" (91,5 cm) de largeur
C36-NRR	Foyers radiants en fonte et grilles non réglables de 36" (91,5 cm) de largeur
Grils sur base de four à convection	
C36-ABC	Pierre volcanique et grilles réglables de 36" (91,5 cm) de largeur
C36-ARC	Foyers radiants en fonte et grilles réglables de 36" (91,5 cm) de largeur
C36-NRC	Foyers radiants en fonte et grilles non réglables de 36" (91,5 cm) de largeur
Grils avec base de rangement (compartiment ouvert)	
C24-ABS	Pierre volcanique et grilles réglables de 24" (61 cm) de largeur
C36-ABS	Pierre volcanique et grilles réglables de 36" (91,5 cm) de largeur
C24-ARS	Foyers radiants en fonte et grilles réglables de 24" (61 cm) de largeur
C36-ARS	Foyers radiants en fonte et grilles réglables de 36" (91,5 cm) de largeur
C24-NRS	Foyers radiants en fonte et grilles non réglables de 24" (61 cm) de largeur
C36-NRS	Foyers radiants en fonte et grilles non réglables de 36" (91,5 cm) de largeur
Grils à plaque « T » modulaire montés sur pieds tubulaires carrés	
C24-NRM	Foyers radiants en fonte et grilles non réglables de 24" (61 cm) de largeur
C36-NRM	Foyers radiants en fonte et grilles non réglables de 36" (91,5 cm) de largeur
Équipement Add-A-Units de 12" (30,5 cm) de largeur doté d'une base de rangement (compartiment ouvert)	
C12-1S	Plaque de 12" (30,5 cm)
C12-1-1S	Plaque thermostatique de 12" (30,5 cm)
C12-6S	(2) brûleurs ouverts (grille supérieure de 12" [30,5 cm])
C12-8S	Plaque chauffante de 12" (30,5 cm)
C12-15S	Plaque coup de feu de 12" (30,5 cm)
Équipement Add-A-Units de 18" (45,7 cm) de largeur doté d'une plaque modulaire et de pieds tubulaires carrés	
C18-1M	Plaque de 18" (45,7 cm)
C18-1-1M	Plaque thermostatique de 18" (45,7 cm)
C18-7M	(2) brûleurs ouverts (grille supérieure de 18" [45,7 cm])
C18-9M	Plaque chauffante de 18" (45,7 cm)
C18-10M	Plaque coup de feu de 18" (45,7 cm)
Équipement Add-A-Units de 18" (45,7 cm) de largeur doté d'une base de rangement (compartiment ouvert)	
C18-1S	Plaque de 18" (45,7 cm)
C18-1-1S	Plaque thermostatique de 18" (45,7 cm)
C18-7S	(2) brûleurs ouverts (grille supérieure de 18" [45,7 cm])
C18-9S	Plaque chauffante de 18" (45,7 cm)
C18-10S	Plaque coup de feu de 18" (45,7 cm)

MODELES	DESCRIPTION
Base de rangement (compartiment ouvert) – suite	
C36-105	(2) plaques chauffantes brûleur à l'avant de 18" (45,7 cm)
C36-115	Plaque chauffante brûleur avant de 18" (45,7 cm) (gauche), plaque chauffante brûleur avant de 18" (45,7 cm) (droite) ou plaque chauffante brûleur avant de 18" (45,7 cm) (gauche et plaque chauffante de 18" (45,7 cm) (droite)
C36-125	(2) brûleurs ouverts, grille supérieure de 12" (30,5 cm) (gauche, centre ou droite), plaque chauffante de 12" (30,5 cm) (gauche ou centre), grille supérieure de 12" (30,5 cm) (centre ou droite)
C36-135	Plaque chauffante de 12" (30,5 cm) (gauche, centre ou droite), (2) brûleurs ouverts, grille supérieure de 12" (30,5 cm) (gauche ou centre), (2) brûleurs ouverts et grille supérieure de 12" (30,5 cm) (centre ou droite)
C36-145	(2) brûleurs ouverts, grille supérieure de 18" (47,5 cm) (gauche ou droite), plaque chauffante de 18" (47,5 cm) (gauche ou droite)
C36-155	(3) plaques coup de feu de 12" (30,5 cm)
C36-175	(2) brûleurs ouverts, grille supérieure de 18" (45,7 cm) (gauche ou droite), plaque chauffante brûleur avant de 18" (45,7 cm) (gauche ou droite)
Plaque « T » modulaire (sur pieds tubulaires carrés)	
C36-1M	Plaque de 36" (91,5 cm)
C36-1-1M	Planche thermostatique de 36" (91,5 cm)
C36-2M	Planche de 24" (61 cm) et (2) brûleurs ouverts (grille supérieure de 12" [30,5 cm])
C36-2-1M	Planche thermostatique de 24" (61 cm) et (2) brûleurs ouverts (grille supérieure de 12" [30,5 cm])
C36-3M	Planche de 24" (61 cm) et plaque chauffante de 12" (30,5 cm)
C36-3-1M	Planche thermostatique de 24" (61 cm) et plaque chauffante de 12" (30,5 cm)
C36-4M	Planche de 18" (45,7 cm) et (2) brûleurs ouverts (grille supérieure de 18" [45,7 cm])
C36-4-1M	Planche thermostatique de 18" (45,7 cm) et (2) brûleurs ouverts (grille supérieure de 18" [45,7 cm])
C36-5M	Planche de 18" (45,7 cm) et plaque chauffante de 18" (45,7 cm)
C36-5-1M	Planche thermostatique de 18" (45,7 cm) et plaque chauffante de 18" (45,7 cm)
C36-6M	6 brûleurs ouverts et (3) plaques de 12" (30,5 cm)
C36-65UM	6 brûleurs ouverts (3 brûleurs surélevés) et 6 grilles à mi-hauteur (12" [30,5 cm] de largeur chacune)
C36-7M	4 brûleurs ouverts et (2) plaques de 18" (45,7 cm)
C36-8M	(3) plaques chauffantes de 12" (30,5 cm)
C36-9M	(2) plaques chauffantes de 18" (45,7 cm)
C36-10M	(2) plaques chauffantes brûleur à l'avant de 18" (45,7 cm)
C36-11M	Plaque chauffante de 18" (45,7 cm) (gauche), plaque chauffante brûleur avant de 18" (45,7 cm) (droite) ou plaque chauffante brûleur avant de 18" (45,7 cm) (gauche) et plaque chauffante de 18" (45,7 cm) (droite)
C36-12M	(2) brûleurs ouverts, grille supérieure de 12" (30,5 cm) (gauche, centre ou droite), plaque chauffante de 12" (30,5 cm) (gauche ou centre) et plaque chauffante de 12" (30,5 cm) (centre ou droite)
C36-13M	Plaque chauffante de 12" (30,5 cm) (gauche, centre ou droite), (2) brûleurs ouverts, grille supérieure de 12" (30,5 cm) (gauche ou centre), (2) brûleurs ouverts et plaque de 12" (30,5 cm)
C36-14M	(2) brûleurs ouverts, grille supérieure de 18" (45,7 cm) (gauche ou droite), plaque chauffante de 18" (45,7 cm) (gauche ou droite)
C36-15M	(3) plaques coup de feu de 12" (30,5 cm)
C36-17M	(2) brûleurs ouverts, grille supérieure de 18" (45,7 cm) (gauche ou droite)

MODELES	DESCRIPTION
Base de four à convection	
C36-1C	Plaque de 36" (91,5 cm)
C36-1-1C	Plaque thermostatique de 36" (91,5 cm)
C36-2C	Planche de 24" (61 cm) et (2) brûleurs ouverts (grille supérieure de 12" [30,5 cm])
C36-2-1C	Planche thermostatique de 24" (61 cm) et (2) brûleurs ouverts (grille supérieure de 12" [30,5 cm])
C36-3-C	Planche de 24" (61 cm) et plaque chauffante de 12" (30,5 cm)
C36-3-1C	Planche thermostatique de 24" (61 cm) et plaque chauffante de 12" (30,5 cm)
C36-4-C	Planche de 18" (45,7 cm) et (2) brûleurs ouverts (grille supérieure de 18" [45,7 cm])
C36-4-1C	Planche thermostatique de 18" (45,7 cm) et (2) brûleurs ouverts (grille supérieure de 18" [45,7 cm])
C36-5C	Planche de 18" (45,7 cm) et plaque chauffante de 18" (45,7 cm)
C36-5-1C	Planche thermostatique de 18" (45,7 cm) et plaque chauffante de 18" (45,7 cm)
C36-6C	6 brûleurs ouverts et (3) plaques de 12" (30,5 cm)
C36-6SUC	6 brûleurs ouverts (3 brûleurs surélevés) et 6 grilles à mi-hauteur (12" [30,5 cm] de largeur chacune)
C36-7C	4 brûleurs ouverts et (2) plaques de 18" (45,7 cm)
C36-8C	(3) plaques chauffantes de 12" (30,5 cm)
C36-9C	(2) plaques chauffantes de 18" (45,7 cm)
C36-10C	(2) plaques chauffantes brûleur à l'avant de 18" (45,7 cm)
C36-11C	Plaque chauffante de 18" (45,7 cm) (gauche), plaque chauffante brûleur avant de 18" (45,7 cm) (droite) ou plaque chauffante brûleur avant de 18" (45,7 cm) (gauche) et plaque chauffante de 18" (45,7 cm) (droite)
C36-12C	(2) brûleurs ouverts, grille supérieure de 12" (30,5 cm) (gauche, centre ou droite), plaque chauffante de 12" (30,5 cm) (gauche ou centre) et plaque chauffante de 12" (30,5 cm) (centre ou droite)
C36-13C	Plaque chauffante de 12" (30,5 cm) (gauche, centre ou droite), (2) brûleurs ouverts, grille supérieure de 12" (30,5 cm) (gauche ou centre), (2) brûleurs ouverts et grille supérieure de 12" (30,5 cm) (centre ou droite)
C36-14C	(2) brûleurs ouverts, grille supérieure de 18" (45,7 cm) (gauche), plaque chauffante de 18" (45,7 cm) ou (2) brûleurs ouverts, grille supérieure de 12" (30,5 cm) (droite) et grille supérieure de 18" (45,7 cm) (gauche)
C36-15C	(3) plaques coup de feu de 12" (30,5 cm)
C36-17C	(2) brûleurs ouverts, grille supérieure de 18" (45,7 cm) (gauche ou droite), plaque chauffante brûleur avant de 18" (45,7 cm) (gauche ou droite)
Base de rangement (compartiment ouvert)	
C36-15	Planche de 36" (91,5 cm)
C36-1-1S	Planche thermostatique de 36" (91,5 cm)
C36-2S	Planche de 24" (61 cm) et (2) brûleurs ouverts (grille supérieure de 12" [30,5 cm])
C36-2-1S	Planche thermostatique de 24" (61 cm) et (2) brûleurs ouverts (grille supérieure de 12" [30,5 cm])
C36-3S	Planche de 24" (61 cm) et plaque chauffante de 12" (30,5 cm)
C36-3-1S	Planche thermostatique de 24" (61 cm) et plaque chauffante de 12" (30,5 cm)
C36-4S	Planche de 18" (45,7 cm) et (2) brûleurs ouverts (grille supérieure de 18" [45,7 cm])
C36-4-1S	Planche thermostatique de 18" (45,7 cm) et (2) brûleurs ouverts (grille supérieure de 18" [45,7 cm])
C36-5S	Planche de 18" (45,7 cm) et plaque chauffante de 18" (45,7 cm)
C36-5-1S	Planche thermostatique de 18" (45,7 cm) et plaque chauffante de 18" (45,7 cm)
C36-6S	6 brûleurs ouverts et (3) plaques de 12" (30,5 cm)
C36-6SUS	6 brûleurs ouverts (3 brûleurs surélevés) et 6 grilles à mi-hauteur (12" [30,5 cm] de largeur chacune)
C36-7S	4 brûleurs ouverts et (2) plaques de 18" (45,7 cm)
C36-8S	(3) plaques chauffantes de 12" (30,5 cm)
C36-9S	(2) plaques chauffantes de 18" (45,7 cm)



SPÉCIFICATIONS

Tableau A : pression des gaz

PLAGE DE PRESSION DE L'ALIMENTATION EN GAZ		
Type	Minimum	Maximum
Naturel	7"CE (17,5 mbar)	14"CE (35 mbar)
Propane	11"CE (27,5 mbar)	14"CE (35 mbar)
PRESSION D'ADMISSION NOMINALE		
Type	Naturel	Propane
Cuisinières et grils	6"CE (15 mbar)	10"CE (25 mbar)

Tableau B : désignation des modèles

MODÈLES	DESCRIPTION
C36-1R	Planche de 36" (91,5 cm)
C36-1-1R	Planche thermostatique de 36" (91,5 cm)
C36-2R	Planche de 24" (61 cm) et (2) brûleurs ouverts (grille supérieure de 12" [30,5 cm])
C36-2-1R	Planche thermostatique de 24" (61 cm) et (2) brûleurs ouverts (grille supérieure de 12" [30,5 cm])
C36-3R	Planche de 24" (61 cm) et plaque chauffante de 12" (30,5 cm)
C36-3-1R	Planche thermostatique de 24" (61 cm) et plaque chauffante de 12" (30,5 cm)
C36-4R	Planche de 18" (45,7 cm) et (2) brûleurs ouverts (grille supérieure de 18" [45,7 cm])
C36-4-1R	Planche thermostatique de 18" (45,7 cm) et (2) brûleurs ouverts (grille supérieure de 18" [45,7 cm])
C36-5R	Planche de 18" (45,7 cm) et plaque chauffante de 18" (45,7 cm)
C36-5-1R	Planche thermostatique de 18" (45,7 cm) et plaque chauffante de 18" (45,7 cm)
C36-6R	6 brûleurs ouverts et (3) plaques de 12" (30,5 cm)
C36-6SUR	6 brûleurs ouverts (3 brûleurs surélevés) et 6 grilles à mi-hauteur (12" [30,5 cm] de largeur chacune)
C36-7R	4 brûleurs ouverts et (2) plaques de 18" (45,7 cm)
C36-8R	(3) plaques chauffantes de 12" (30,5 cm)
C36-9R	(2) plaques chauffantes de 18" (45,7 cm)
C36-10R	(2) plaques chauffantes brûleur à l'avant de 18" (45,7 cm)
C36-11R	Plaque chauffante de 18" (45,7 cm) (gauche), plaque chauffante brûleur avant de 18" (45,7 cm) (droite) ou plaque chauffante brûleur avant de 18" (45,7 cm) (gauche) et plaque chauffante de 18" (45,7 cm) (droite)
C36-12R	(2) brûleurs ouverts, grille supérieure de 12" (30,5 cm) (gauche ou droite), plaque chauffante de 12" (30,5 cm) (gauche ou centre) et plaque chauffante de 12" (30,5 cm) (centre ou droite)
C36-13R	Plaque chauffante de 12" (30,5 cm) (gauche, centre ou droite), (2) brûleurs ouverts, grille supérieure de 12" (30,5 cm) (gauche ou centre), (2) brûleurs ouverts et plaque de 12" (30,5 cm) (centre ou droite)
C36-14R	(2) brûleurs ouverts, grille supérieure de 18" (47,5 cm) (gauche ou droite), plaque chauffante de 18" (47,5 cm) (gauche ou droite)
C36-15R	(3) plaques coup de feu de 12" (30,5 cm)
C36-17R	(2) brûleurs ouverts, grille supérieure de 18" (45,7 cm) (gauche ou droite), plaque chauffante brûleur avant de 18" (45,7 cm) (gauche ou droite)

2	INFORMATIONS IMPORTANTES
4	SPÉCIFICATIONS
4	Tableau A : pression des gaz
4	Tableau B : désignation des modèles
9	Tableau C : valeurs d'alimentation
10	INTRODUCTION
10	Déballage
10	Plaque signalétique
10	INSTALLATION
10	Dégagement entre l'appareil et les éléments combustibles
10	Procédure d'installation
11	Emplacement
11	Appareils équipés de roulettes
11	Appareils équipés de pieds
11	Instructions d'installation du dossieret Cuisine
12	Instructions d'installation des rehausseurs arrière Cuisine
12	Instructions d'installation des étagères simples et doubles Cuisine
12	Instructions d'installation de la salamandre ou du grill à fromages Cuisine
13	Réglementations
13	Alimentation en gaz
14	Remarques concernant l'alimentation en gaz
14	Raccord de gaz
14	Alimentation électrique (modèles dotés d'un four à convection uniquement)
15	Assemblage de la batterie
15	Ventilation et arrivée d'air
16	MISE EN SERVICE
16	Régulateurs de pression
16	Essai et réglages
16	Paramètres de pression (tous les modèles)
17	Réglage du système de dérivation de thermostat du four
18	Réglettes de la veilleuse
18	Généralités
18	Four
18	Plaque/Planche
18	Plaque chauffante brûleur à l'avant
18	Grill
18	UTILISATION
18	Brûleurs supérieurs ouverts
18	Plaque chauffante et plaque chauffante brûleur à l'avant
19	Planches à commande thermostatique
19	Planches à commande par vanne
19	Four (standard)
20	Fours à convection RC
21	Grills
21	Friteuses
21	ENTRETIEN ET NETTOYAGE
21	Traitement
21	Traitement de la planche
21	Traitement des grilles supérieures en fonte
21	Nettoyage
21	Nettoyage général
21	Extérieur en acier inoxydable et finitions intérieures de four standard
22	Intérieur du four (finition émaillée en option)
23	Nettoyage de la planche
23	Brûleurs supérieurs ouverts
23	Grilles supérieures en fonte
23	Plaques chauffantes en fonte et plaques chauffantes brûleur à l'avant
24	Nettoyage du grill
24	Modèles C36-NRR/C36-NRC
24	Modèles C36-ABR/C36-ABC
24	Modèles C36-ARR/C36-ARC
24	Réglettes
24	Cavité du four
24	Réglage de la veilleuse
25	Vanne automatique de la veilleuse
25	Réglage gaz/air du brûleur
25	UTILISATION DU FOUR À CONVECTION
26	DÉPANNAGE DU FOUR À CONVECTION
27	ENTRETIEN
27	Étalonnage du thermostat
27	Nettoyage/entretien des brûleurs
27	Brûleurs ouverts
27	Brûleurs supérieurs avant fixes et ouverts
27	Brûleurs de la plaque/planche
28	Brûleurs du four standard
28	Brûleurs du four RC
28	Grill
28	Nettoyage de la veilleuse
28	Plaque de four/plaque chauffante/planche/grill/ plaque avant
28	Four
29	REMPLACEMENT DE PIÈCES
29	Vannes de gaz
29	Thermostat du four
30	Interrupteur d'alimentation
30	Interrupteur de la porte
30	Veilleuse du four
30	Fours à convection (module piézoélectrique)
30	Moteur du four à convection
31	GUIDE DE DÉPANNAGE



Assurez-vous que la zone autour de l'appareil est dégagée et qu'aucun combustible ne s'y trouve.

AVERTISSEMENT :
Cet appareil contient des produits chimiques reconnus par l'État de Californie comme cancérogènes, mutagènes et reprotoxiques (CMR). L'utilisation et l'entretien de l'appareil risquent de vous exposer à des particules de laine de verre ou de fibres céramiques en suspension dans l'air. L'inhalation de particules de laine de verre ou de fibres céramiques en suspension dans l'air est reconnue par l'État de Californie comme cancérogène. En cas de réglage inapproprié de l'appareil, vous risquez d'être exposé au monoxyde de carbone. L'inhalation de monoxyde de carbone est reconnue par l'État de Californie comme mutagène et reprotoxique.

Traduction du document original

La maintenance et la réparation de l'équipement doivent être réalisées par un agent de service agréé par Garland, qui doit utiliser des pièces de rechange Garland d'origine. Garland est exonéré de toute obligation dans le cas où un produit aurait été mal installé, réglé ou utilisé, ou s'il n'a pas été entretenu conformément à la réglementation nationale et locale ou aux instructions d'installation fournies avec celui-ci. Il en va de même si le numéro de série du produit est illisible, a été effacé ou retiré, ou si l'équipement a été modifié ou réparé à l'aide de pièces non autorisées ou par des agents de service non agréés. Pour consulter la liste des agents de service agréés, rendez-vous sur le site Internet de Garland : <http://www.garland-group.com>. Les informations contenues dans le présent manuel (y compris les spécifications de pièces et de conception) sont susceptibles de devenir obsolètes et d'être modifiées sans préavis.

Pour votre sécurité :
affichez dans un endroit bien visible les consignes à suivre en cas d'émanations de gaz. Renseignez-vous auprès de votre fournisseur de gaz.

VEUILLEZ LIRE TOUTS LES CHAPITRES DU PRÉSENT MANUEL ET CONSERVER CE DERNIER POUR VOUS Y RÉFÉRER ULTÉRIEUREMENT. CE PRODUIT EST CERTIFIÉ COMME ÉQUIPEMENT DE CUISSON COMMERCIAL ET DOIT ÊTRE INSTALLÉ PAR UN PROFESSIONNEL SELON LES INSTRUCTIONS DU PRÉSENT MANUEL. DANS L'ÉTAT DU MASSACHUSETTS, CE PRODUIT DOIT ÊTRE INSTALLÉ PAR UN PLOMBIER OU UN INSTALLATEUR AGRÉÉ. NUMÉRO D'AGRÈMENT : G-1-07-05-28

AVERTISSEMENT :
L'ALTERATION, L'ENTRETIEN OU LA MAINTENANCE INCORRECTS DE CET APPAREIL PEUT ENTRAÎNER DES DOMMAGES MATÉRIELS AINSI QUE DES BLESSURES GRAVES OU MORTELLES. LISEZ ATTENTIVEMENT LES INSTRUCTIONS D'INSTALLATION, D'UTILISATION ET DE MAINTENANCE AVANT D'INSTALLER OU D'ENTREtenir CET ÉQUIPEMENT

POUR VOTRE SÉCURITÉ :
NE STOCKEZ NI N'UTILISEZ D'ESSENCE OU AUTRES VAPEURS OU LIQUIDES INFLAMMABLES À PROXIMITÉ DE CET APPAREIL OU DE TOUT AUTRE APPAREIL.



MANUEL D'INSTALLATION, D'UTILISATION ET D'ENTRETIEN CUISINIÈRES COMMERCIALES C SÉRIES CUISINE, ADD-A-UNITS, CUISINIÈRES MODULAIRES ET GRILS