



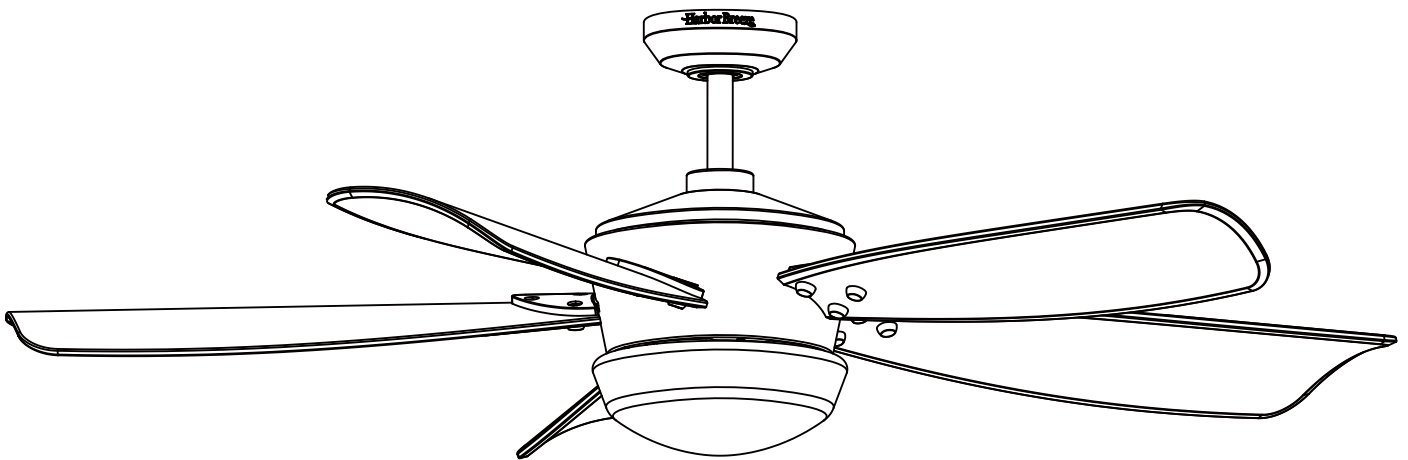
Harbor Breeze® is a registered trademark of LF, LLC. All Rights Reserved.

ITEM #1090752

# SARATOGA II CEILING FAN

MODEL #L1903

Español p. 19



### ATTACH YOUR RECEIPT HERE

Serial Number \_\_\_\_\_ Purchase Date \_\_\_\_\_



**Questions, problems, missing parts?** Before returning to your retailer, call our customer service department at 1-800-643-0067, 8 a.m. - 6 p.m., EST, Monday - Thursday, 8 a.m. - 5 p.m., EST, Friday.

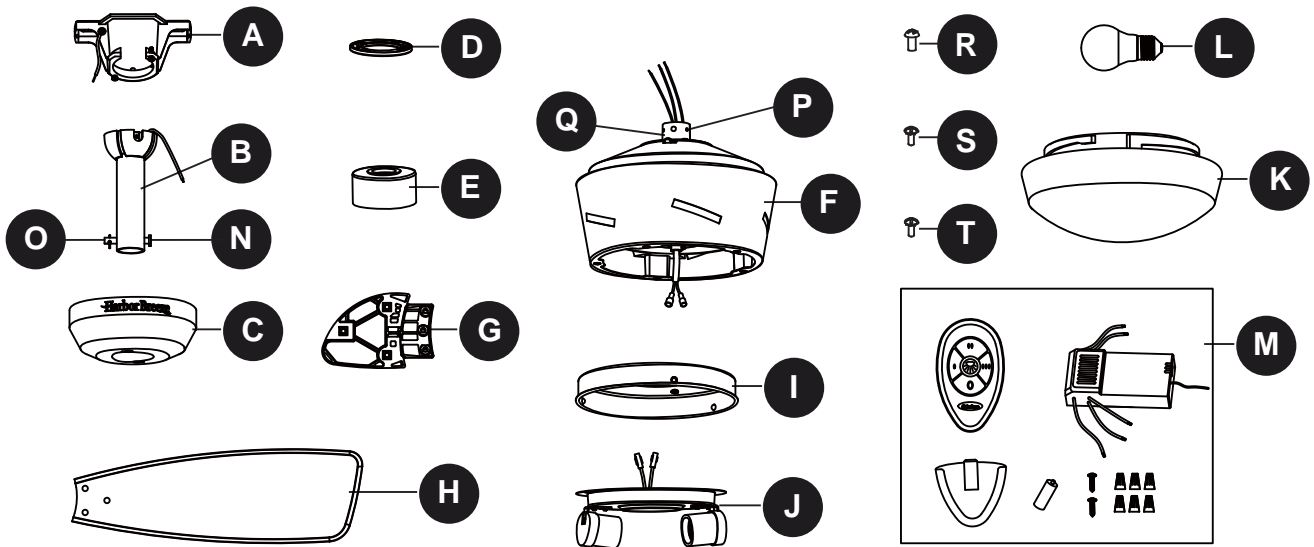
PH19240



## TABLE OF CONTENTS

Package Contents.....	3
Hardware Contents.....	4
Safety Information.....	4
Preparation .....	5
Initial Installation Instructions .....	6
Standard/Angle-Mounting Instructions.....	7
Wiring Instructions .....	9
Final Installation Instructions .....	10
Operating Instructions .....	14
Care and Maintenance .....	15
Troubleshooting.....	16
Limited Lifetime Warranty.....	17
FCC Warning.....	17
Replacement Part List .....	18

# PACKAGE CONTENTS

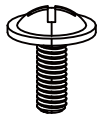


PART	DESCRIPTION	QUANTITY
A	Mounting Bracket	1
B	Downrod Assembly	1
C	Canopy	1
D	Canopy Cover	1
E	Coupling Cover	1
F	Motor Housing	1
G	Blade Arm	5
H	Blade	5
I	Switch Housing	1
J	Light Kit	1
K	Glass Bowl	1
L	LED Light Bulb	2
M	Remote Unit	1

PART	DESCRIPTION	QUANTITY
N	Clevis Pin (Preassembled on Downrod Assembly (B))	1
O	Hairpin Clip (preassembled on Downrod Assembly (B))	1
P	Coupling Screw (preassembled on Coupling (Q))	2
Q	Coupling (preassembled on Motor Housing (F))	1
R	Mounting Bracket Screw (preassembled on Mounting Bracket (A))	2
S	Mounting Screw (preassembled on Motor Housing (F))	3
T	Switch Housing Screw (preassembled on Switch Housing (I))	3

## HARDWARE CONTENTS(not shown actual size)

AA



Blade Screw  
Qty.15+1 extra

BB



Blade Arm Screw  
Qty.15+1 extra

CC



Decorative Nut  
Qty.15

## SAFETY INFORMATION

### READ AND SAVE THESE INSTRUCTIONS

Please read and understand this entire manual before attempting to assemble, operate or install the product.

- All electrical connections must comply with local codes, ordinances or the National Electric Code (NEC). Contact your municipal building department to inquire about your local codes, permits and/or inspections.
- Turn off electricity at main fuse box (or circuit breaker box) before beginning installation by removing fuse or by switching off circuit breaker.
- Do not connect this fixture to an electrical system that does not provide a means for equipment grounding. Never use a fixture in a two-wire system that is not grounded.
- If you are not sure your lighting system has a grounding means, do not attempt to install this fixture. Contact a qualified, licensed electrician for information regarding proper grounding methods as required by the local electrical code in your area.
- Make sure the installation site you choose allows a minimum clearance of 7 ft. from the blades to the floor and at least 30 in. from the ends of the blades to any obstruction.
- If a dimmer control switch is used with this fixture, obtain professional advice to determine the correct type and electrical rating required.
- The lighting fixture must be positioned so there is at least 1.64 ft. between the bulb and any illuminated surface.
- For supply connections, if the conductor of a fan is identified as a grounded conductor, then it should be connected to a grounded conductor power supply. If the conductor of a fan is identified as an ungrounded conductor, then it should be connected to an ungrounded conductor power supply. If the conductor of a fan is identified for equipment grounding, then it should be connected to an equipment-grounding conductor.

### **⚠ DANGER**

- Installing a fixture into an electrical system without a proper grounding means could allow metal parts of the fixture to carry electrical currents. If any of the fixture wires, wire connections or splices are broken, cut or loose during the mounting or normal operation of the fixture, under such condition, anyone coming in contact with the fixture is subject to electrical shock, which could cause serious injury or death.
- Connection of the bare or green fixture ground wire to the black or white house wires may allow metal parts of the fixture to carry electrical currents. Under this condition anyone coming in contact with the fixture will receive electrical shock, which could cause serious injury or death.
- Be careful not to damage or cut the wire insulation (covering) during fixture installation. Do not permit wires to have contact with any surface having a sharp edge. Doing so may damage or cut the wire insulation, which could cause serious injury or death from electric shock.

## **⚠ WARNING**

- Risk of fire. Most dwellings built before 1985 have supply wire rated for 140°F. Consult a qualified electrician before installation.
- To reduce the risk of fire or electric shock, do not use this fan with any solid state fan speed device or variable speed control.
- To reduce the risk of personal injury, do not bend the blade brackets when installing the brackets, balancing or cleaning the fan.
- Do not insert foreign objects in between rotating fan blades.
- Do not install or use the fan if any part is damaged or missing.
- To reduce the risk of fire, electric shock or personal injury, mount to metal outlet box marked 'ACCEPTABLE FOR FAN SUPPORT OF 35 LBS OR LESS' and use mounting screws provided with the outlet box and/or support directly from building structure. Most outlet boxes commonly used for the support of luminaries are not acceptable for fan support and may need to be replaced. Consult a qualified electrician if in doubt.
- Before servicing or cleaning the unit, switch power off at the service panel and lock the service disconnecting means to prevent power from being switched on accidentally. When the service disconnecting means cannot be locked, securely fasten a prominent warning device, such as a tag, to the service panel.

## **⚠ CAUTION**

- Do not use bulbs having a wattage greater than the maximum value stated on the fixture and in this manual. Using a higher wattage bulb than specified will increase fixture temperature and increase risk of fire.

## **PREPARATION**

---

Before beginning assembly of product, make sure all parts are present. Compare parts with package contents list and hardware contents list. If any part is missing or damaged, do not attempt to assemble the product.

**Estimated Assembly Time:** 45 minutes

Tools Required for Assembly (not included): Phillips Screwdriver, Step Ladder, Tape, Pliers and Wire Cutters.

## INITIAL INSTALLATION INSTRUCTIONS

1. Turn off circuit breakers and wall switch to the fan supply line leads.

**⚠ DANGER:** Failure to disconnect power supply prior to installation may result in serious injury or death.

2. Choose the desired mounting method:

### A. Standard Mounting:

Standard mounting is best suited for ceilings 8 feet. or higher. For taller ceilings you may want to use a longer downrod (not included).

### B. Angle Mounting:

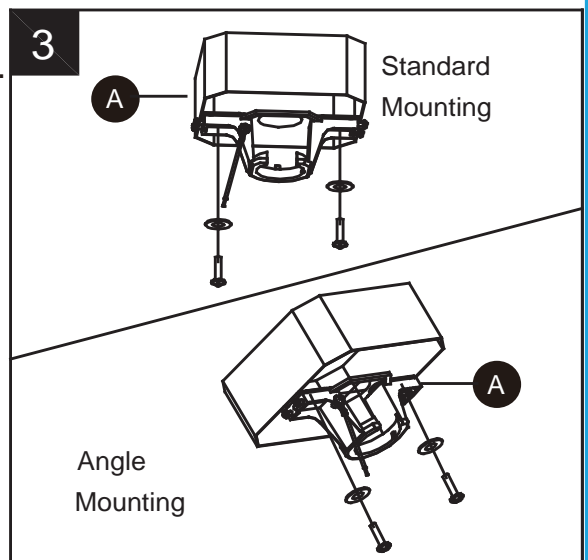
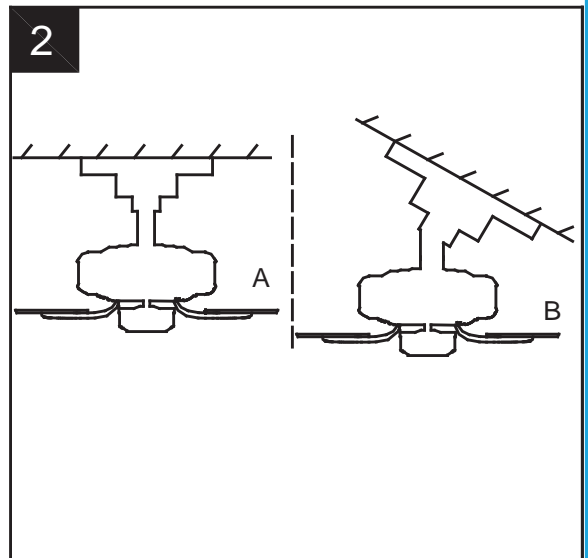
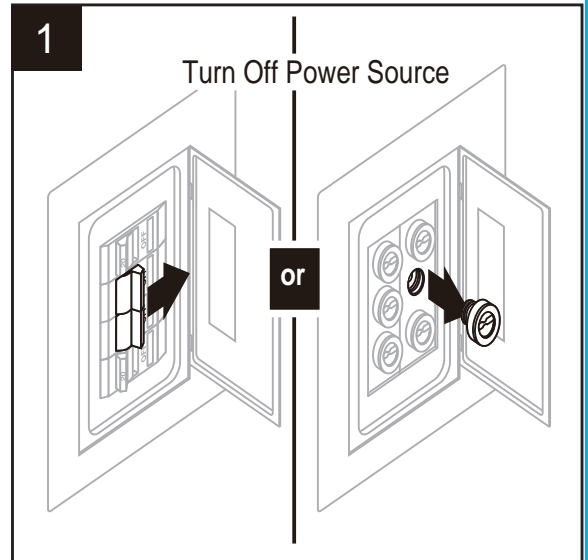
Angle-style mounting is best suited for angled or vaulted ceilings. A longer downrod is sometimes necessary to ensure proper blade clearance. If using the angle mount, make sure the ceiling angle is not steeper than 20°.

For ALL mounting options, there must be at least 30 inches from the blade tip to nearest wall. Also, ensure there is 7 feet from the bottom edge of the blade to the floor.

3. Check existing outlet box (not included) to ensure it is securely fastened to at least two points in a structural ceiling member and can support the full weight of the fan. Once verified, install mounting bracket (A) to the outlet box using the screws and washers provided with the outlet box.

**⚠ DANGER:** A loose outlet box can cause the fan to wobble and increase the fan's potential to fall, which could result in serious injury or death.

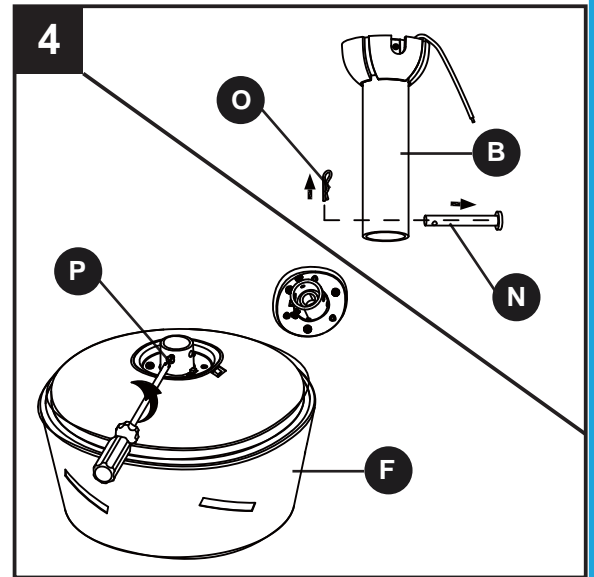
**Note:** If using the angle mount, make sure open end of mounting bracket (A) points toward the ceiling.



## INITIAL INSTALLATION INSTRUCTIONS

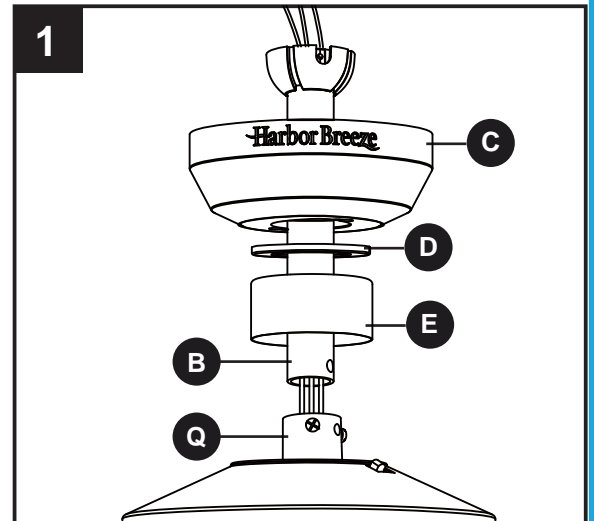
- Loosen the two coupling screws (P) preassembled in coupling (Q), but do not remove them. Remove the hairpin clip (O) and clevis pin (N) from the downrod assembly (B). Retain for later use.

**Note:** Make sure to keep loose hardware separate to avoid confusion during installation.

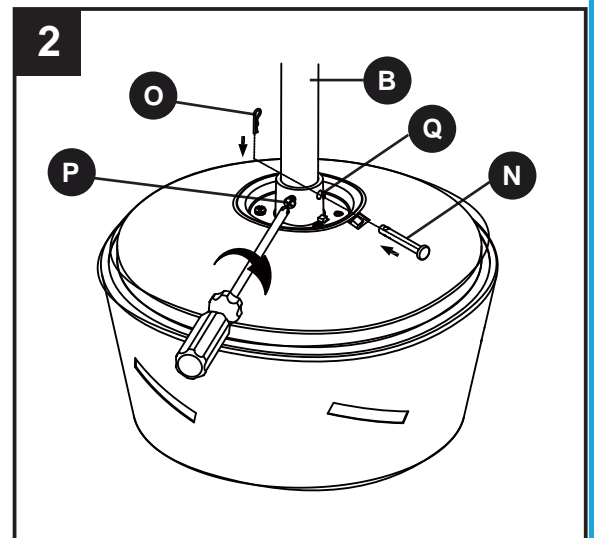


## STANDARD/ANGLE-MOUNTING INSTRUCTIONS

- Place downrod assembly (B) through canopy (C), canopy cover (D) and coupling cover (E). Feed power wires from motor housing (F) through downrod assembly (B), then insert downrod assembly (B) into the coupling (Q) on motor housing (F).



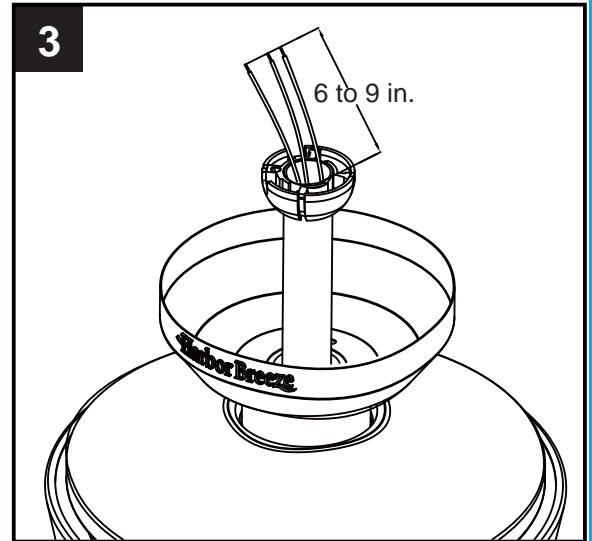
- Align the hole on downrod assembly (B) to hole on coupling (Q), then re-install clevis pin (N). Re-attach hairpin clip (O) into clevis pin (N) until it snaps into place, then tighten the two previously loosened coupling screws (P).



## STANDARD/ANGLE-MOUNTING INSTRUCTIONS

3. Cut off excess fixture wires, leaving approximately 6 to 9 inches above the top of the downrod assembly (B). Strip 1/2 inch of insulation from the end of each fixture wire.

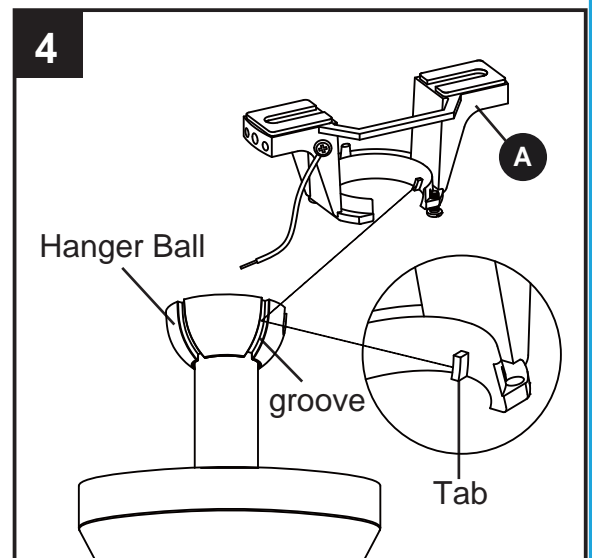
**⚠ CAUTION:** Ensure all screws are tight before moving onto the next step.



4. Carefully lift the assembly and rest the hanger ball of downrod assembly (B) on the mounting bracket (A) attached to the outlet box. Be sure the groove in the hanger ball is lined up with the tab on the mounting bracket (A). This will allow for hands-free wiring.

Proceed to **WIRING** on page 9.

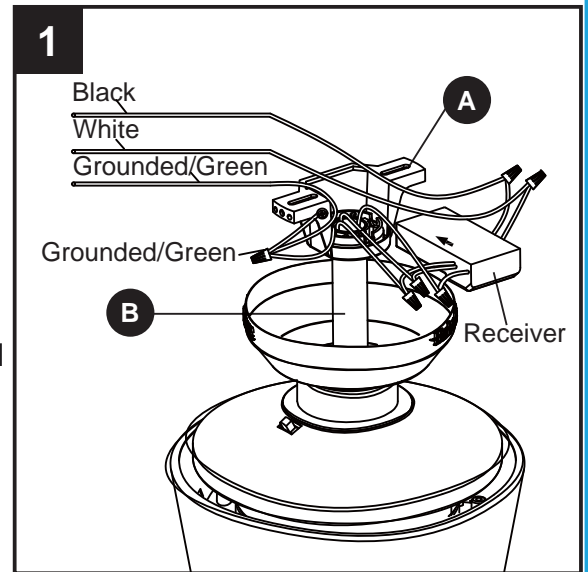
**⚠ DANGER:** Be careful when aligning the tab to the groove ! If not fully engaged, there is a possibility of the fan falling, which may result in serious injury or death.



## WIRING INSTRUCTIONS

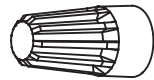
- ⚠ WARNING:** To avoid possible electrical shock, be sure electricity is turned off at the main fuse box before hanging.
- ⚠ WARNING:** If you are not sure if the outlet box is grounded, contact a licensed electrician for advice, as it must be grounded for safe operation.
- ⚠ WARNING:** If house wires are different colors than referred to in the following steps, stop immediately. A professional electrician is recommended to determine proper wiring.
- ⚠ WARNING:** If you feel that you do not have enough electrical wiring knowledge or experience, have your fan installed by a licensed electrician.

1. Follow steps below to wiring your fan, once wiring step has been completed, slide the wired receiver in between the mounting bracket (A) and the top of the downrod ball (B) with the flat side of the receiver facing the ceiling.
  - Connect WHITE wire from the fan to WHITE wire marked TO MOTOR N from the receiver.
  - Connect BLUE wire from the fan to BLUE wire marked FOR LIGHT from the receiver.
  - Connect BLACK wire from the fan to BLACK wire marked TO MOTOR L from the receiver.
  - Connect BLACK wire from the outlet box to BLACK wire marked AC IN L from the receiver.
  - Connect WHITE wire from the outlet box to WHITE wire marked AC IN N from the receiver.
  - Connect GROUND (GREEN) wires from mounting bracket and downrod ball, to GROUND (GREEN or BARE COPPER) from house.



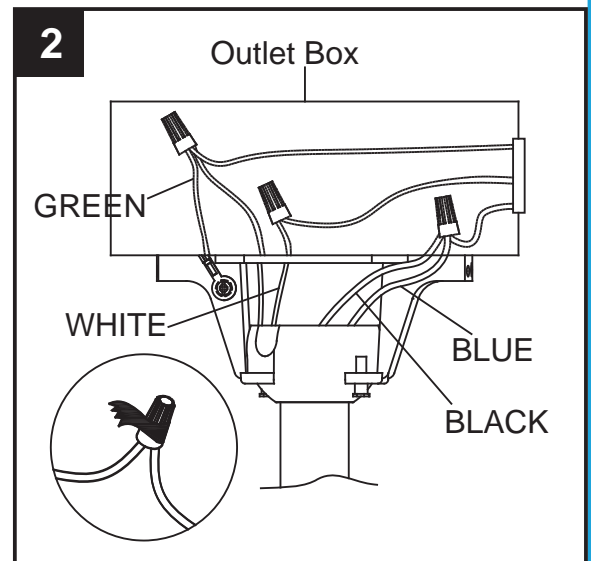
## Hardware Used

Wire Connector



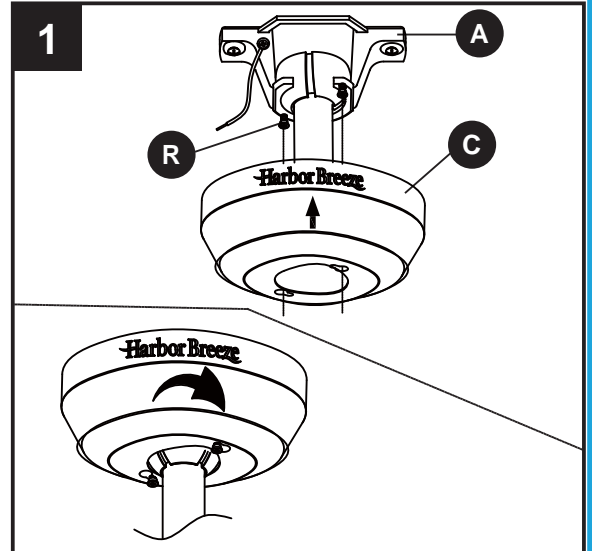
x 6

2. Wrap electrical tape (not included) around each wire connector and make sure no bare wire or wire strands are visible after making connections. Then, turn wires upward and carefully push them into the outlet box; make sure the WHITE and GREEN connections are on one side and the BLACK connections are on the other side.

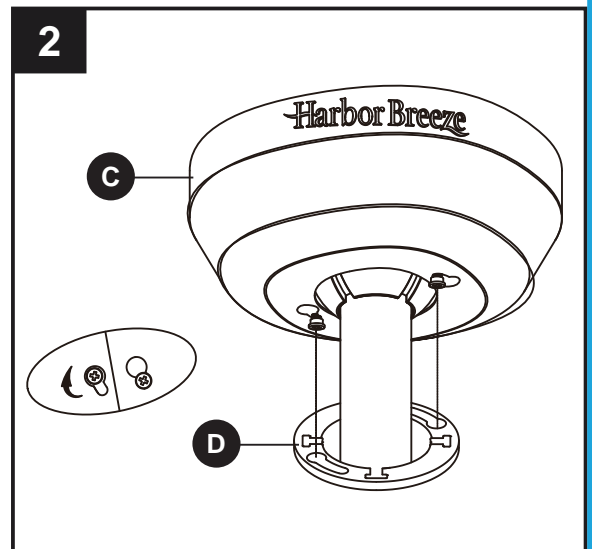


## FINAL INSTALLATION INSTRUCTIONS

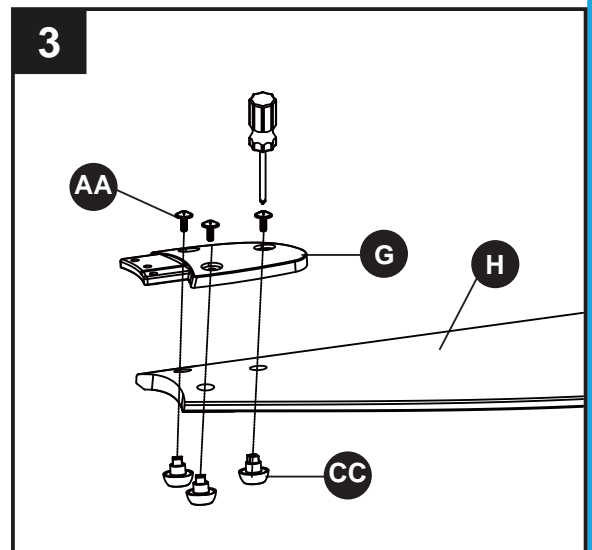
- Loosen (but do not remove) the two preassembled mounting screws (R) on mounting bracket (A) that align with the slotted holes on canopy (C). Lift canopy (C) up so slotted holes engage loosened screw heads on mounting bracket (A), then twist canopy (C) clockwise, then tighten all screws securely.



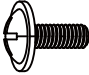
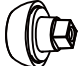
- Raise canopy cover (D) over the mounting screws visible in canopy (C). Rotate canopy cover (D) clockwise until it locks into place. You may need to adjust the mounting screws until the canopy (C) and canopy cover (D) have a snug fit.



- Attach blade (H) under blade arm (G) using three (3) decorative nuts (CC) and three (3) blade screws (AA). Repeat for remaining blades (H), blade arms (G), decorative nuts (CC) and three (3) blade screws (AA).



### Hardware Used

<b>AA</b>	Blade Screw		x 15
<b>CC</b>	Decorative Nut		x 15

## FINAL INSTALLATION INSTRUCTIONS

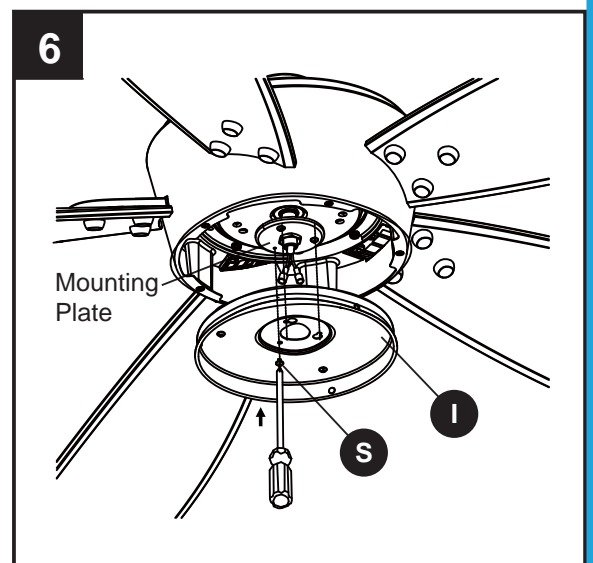
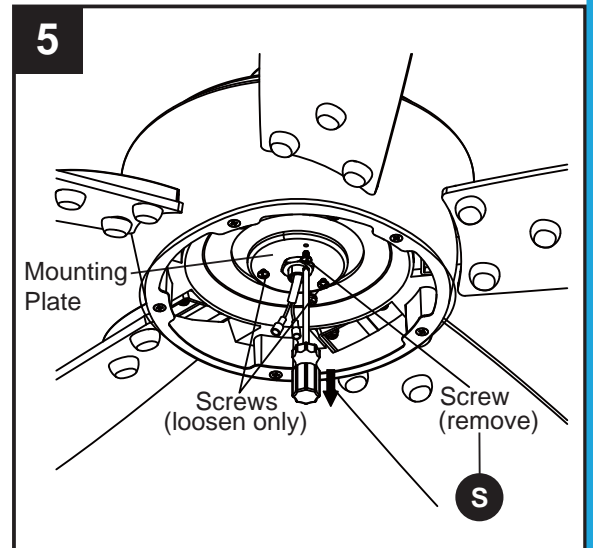
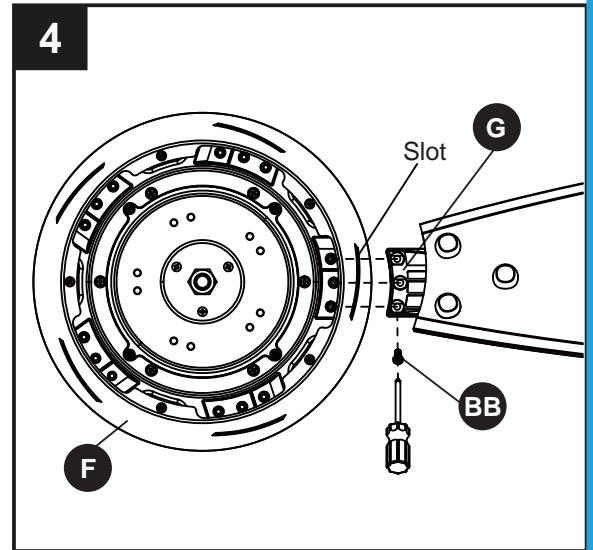
4. Insert blade assembly through slot on fan motor assembly (F) and align three screw holes in blade arm (G) with screw holes in fan motor assembly (F). Secure with three blade arm screws (BB). Repeat for remaining blade assemblies.

### Hardware Used

**BB** Blade Arm Screw  x 15

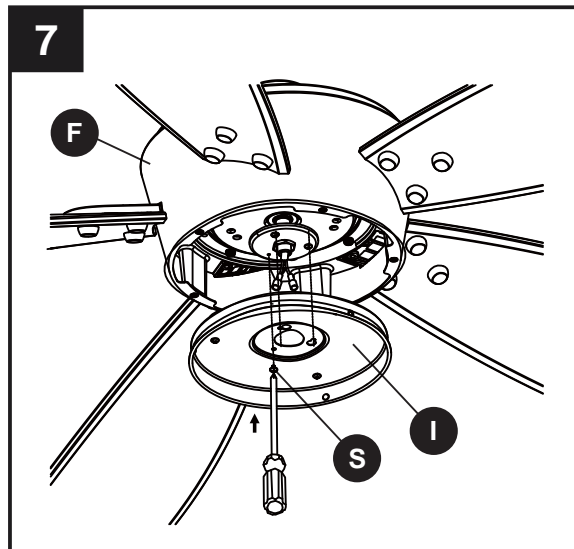
5. Remove one of the mounting screws (S) on mounting plate of motor housing (F), then loosen the other two.

6. Insert the wires from the motor housing (F) through the center hole in the switch housing (I). Attach the switch housing (I) to the mounting plate on motor housing (F) by placing the keyslot holes from the switch housing (I) onto the two protruding mounting screw (S) heads.

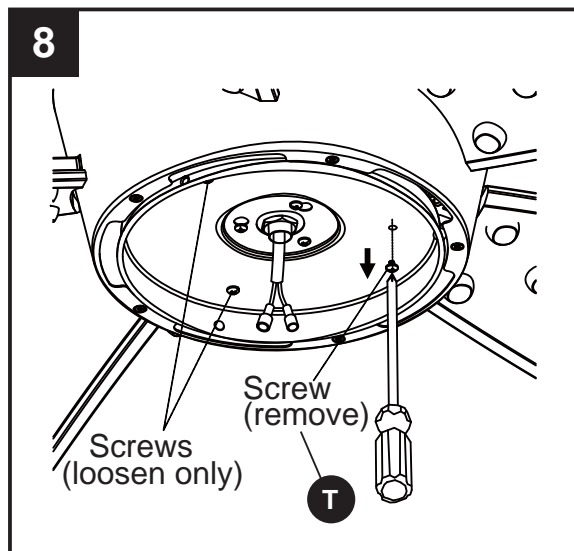


## FINAL INSTALLATION INSTRUCTIONS

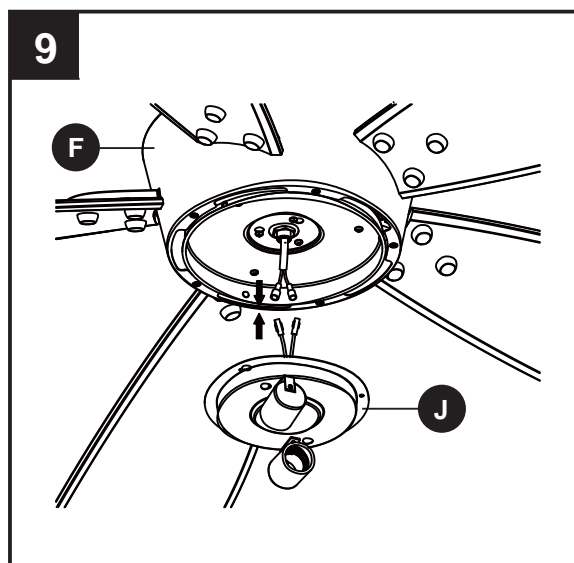
7. Adjust the switch housing (I) until the screw heads are aligned with the keyholes, then re-insert mounting screw (S) previously removed on step 5. Tighten all mounting screws (S) securely.



8. Remove one of the screws (T) on switch housing (I), then loosen the other two.

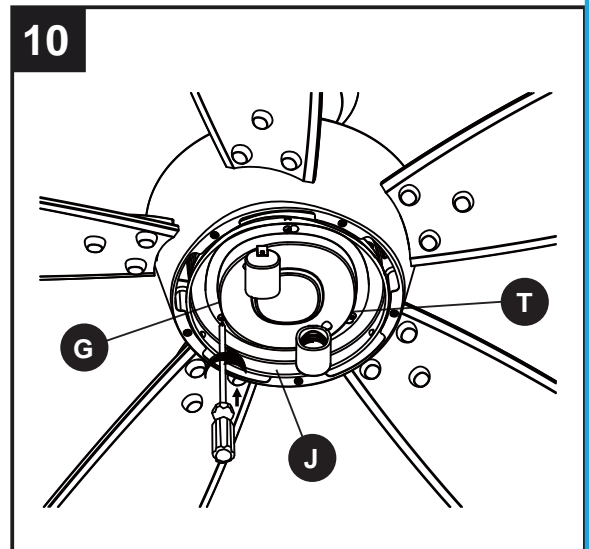


9. Connect the 2 single pin connectors from the light kit (J) to the 2 single pin connectors from motor assembly (F). Connect the black wire to black wire, and white wire to white wire.

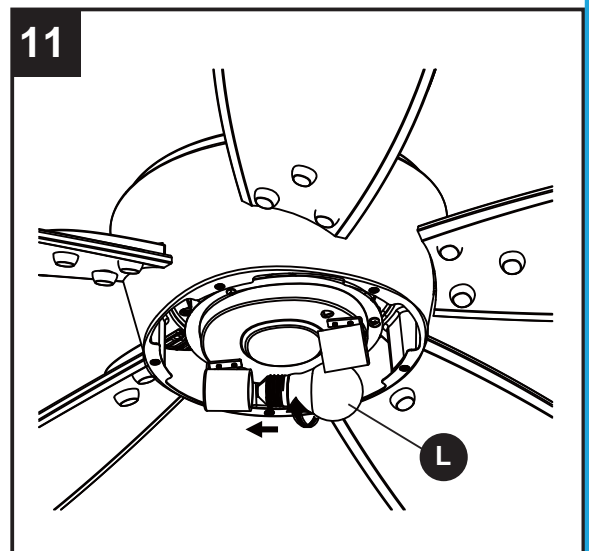


## FINAL INSTALLATION INSTRUCTIONS

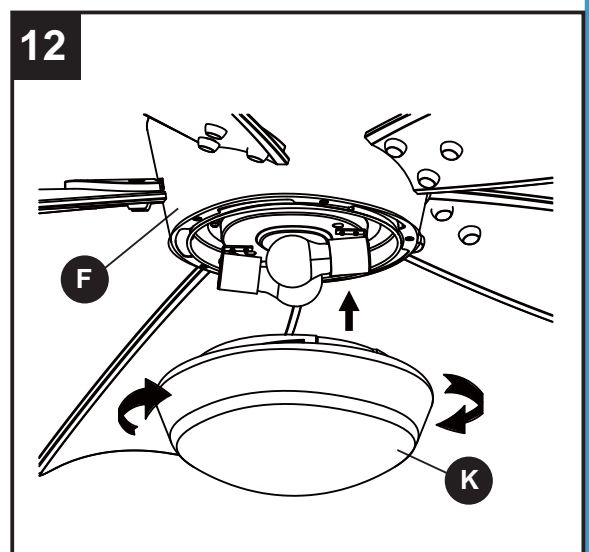
10. Adjust the light kit (J) until the screw heads are aligned with the keyholes, then re-insert mounting screw (T) previously removed on step 8. Tighten all mounting screws (T) securely.



11. Install light bulbs (L) into sockets.



12. Secure the glass (K) to switch housing (I) by twisting in a clockwise direction. Do not over-tighten.

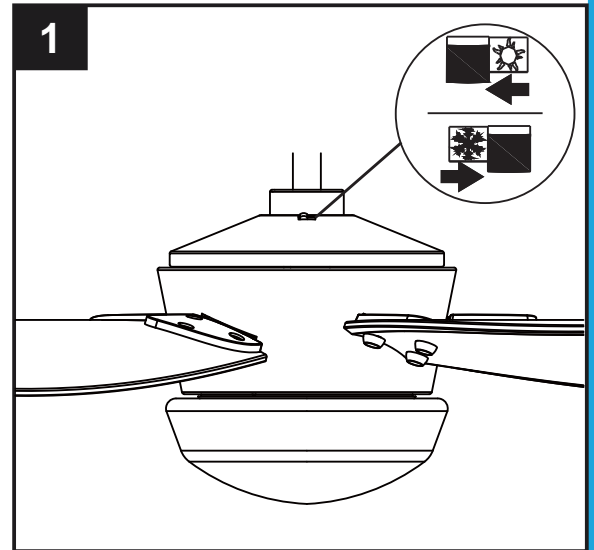


## OPERATING INSTRUCTIONS

1. When the season changes, you may want to change the direction in which the fan spins.  
In warmer weather, counterclockwise rotation creates a downward airflow, which cools the air. Push the switch **LEFT** and see a SUN icon.  
In cooler weather, clockwise rotation creates an upward airflow, which moves hot air from the ceiling. Push the switch **RIGHT** and see a SNOWFLAKE icon.

**WARNING:** Turn off and wait for fan to stop before flipping the reverse switch.

**Note:** Use a small screwdriver or ballpoint pen to move the reverse switch if you have difficulty doing so by hand.

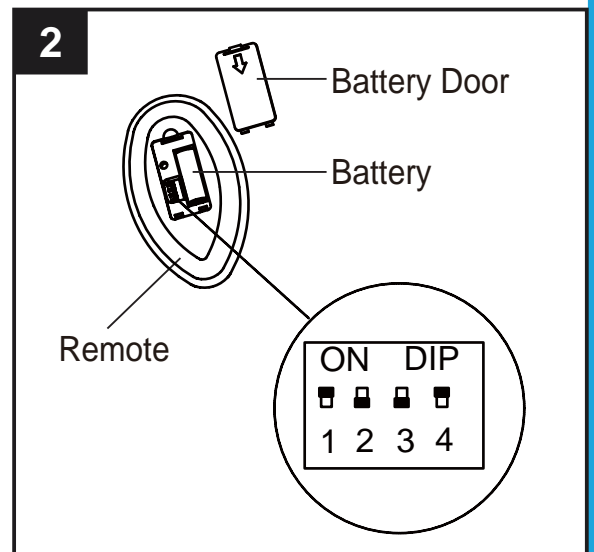


2. The remote unit has 16 different code combinations. To prevent possible interference from the other remote units, simply change the combination code in the remote by following the set up procedures listed below.
  - a.) Remove the remote control battery cover to expose the remote dip switches. Use a small ballpoint pen (not included) to set the dip switches to either up or down.**NOTE:** Factory setting is all up. Do not use this position.
  - b.) Install the 23A 12V battery (included) and replace the battery cover you previously removed.
  - c.) Restore power to the fan, press and hold the “Light” button until the light flashes (on/off) 3 times and will stay on, then the control and speed setting process is complete.

**NOTE:** You must press the “Light” button within 30 seconds of restoring power to the fan.


d.) If programming is unsuccessful, retry the above instructions.

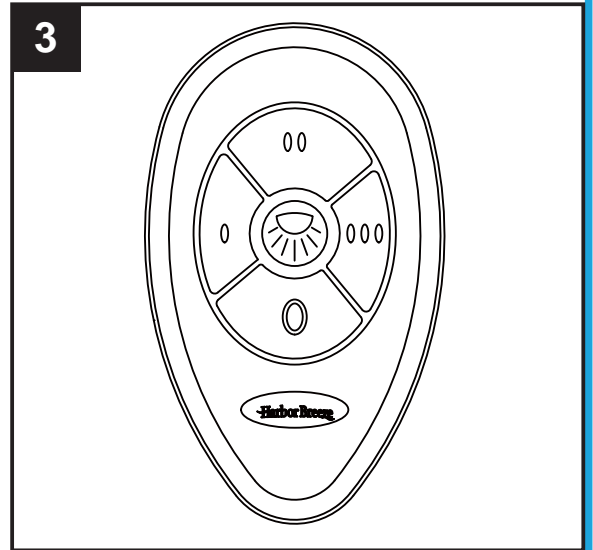
**NOTE:** Remove batteries if remote has not been used for a long period of time in order to avoid damage. Store remote away from excessive heat or humidity.



## OPERATING INSTRUCTIONS

3. The buttons on the remote control the fan speed and light as follows:

0	Low speed
00	Medium speed
000	High speed
0	Turn the fan off
	Press the light key quickly and turn the light ON or OFF. Press and hold to dim light. The light will cycle from bright to dim to bright until button is released.



**Note:** This receiver has a preset memory function; when the switch is turned OFF, the control will remember the light intensity and fan speed. When the switch is turned ON, the light and fan will resume operation as they were prior to the switch being turned OFF.

## CARE AND MAINTENANCE

- ⚠ Important:** Shut off main power supply before beginning any maintenance. Do not use water or a damp cloth to clean the ceiling fan.
- At least twice each year, tighten all screws and lower canopy to check mounting plate screws.
- Clean fan housing with only a soft brush or lint-free cloth to avoid scratching the finish. Clean blades with a lint-free cloth. You may occasionally apply a light coat of furniture polish to wood blades for added protection.
- Bulb replacement: Use two 5.5 W max. type A-15 LED bulbs. CFL bulbs are not recommended for this item.

## TROUBLESHOOTING

PROBLEM	PROBABLE CAUSE	CORRECTIVE ACTION
Fan sounds noisy	<ol style="list-style-type: none"> <li>1. Set screws are loose.</li> <li>2. Using non-approved speed control.</li> <li>3. Normal noise.</li> <li>4. Wire connectors inside switch housing rattling.</li> <li>5. Cracked blade.</li> <li>6. The distance from canopy to ceiling is too great.</li> <li>7. Glass is not secure.</li> </ol>	<ol style="list-style-type: none"> <li>1. Tighten all set screws.</li> <li>2. Some fan motors are sensitive to signals from solid-state variable speed controls. <b>DO NOT USE</b> a solid-state variable speed control.</li> <li>3. Allow "break-in" period of 24 hours. Most noises associated with a new fan will disappear after this period.</li> <li>4. Check to make sure wire connectors in switch housing are not rattling against each other or against the interior wall of the switch housing.</li> <li>5. Replace blades.</li> <li>6. Make sure upper canopy is a short distance from ceiling. It should not touch the ceiling.</li> <li>7. Secure the glass.</li> </ol>
Fan wobbles	<ol style="list-style-type: none"> <li>1. Hanger bracket and/or ceiling outlet box is not securely fastened.</li> <li>2. Set screw in downrod assembly is loose.</li> <li>3. Fan hanger ball is not properly seated in canopy tabs.</li> <li>4. Set screw in motor coupling is loose.</li> <li>5. Blade is loose.</li> <li>6. Blade holders are loose.</li> <li>7. Blade out of balance.</li> <li>8. Fan too close to vaulted ceiling</li> <li>9. Transition to different speed.</li> <li>10. Fan not securely mounted.</li> </ol>	<ol style="list-style-type: none"> <li>1. Tighten the hanger bracket screws to the outlet box, and/or secure outlet box.</li> <li>2. Tighten the set screw in the downrod assembly.</li> <li>3. Turn power off, support the fan very carefully, and check that the hanger ball is properly seated.</li> <li>4. Raise motor coupling up and tighten set screws securely.</li> <li>5. Check that all blades are screwed firmly into blade holders.</li> <li>6. Check to be sure the fan blade irons seat firmly and uniformly on the surface of the motor. If flanges are seated incorrectly, loosen the flange screws and retighten.</li> <li>7. Interchange two adjacent blades; this will redistribute the weight and possibly result in smoother operation.</li> <li>8. Lower or move fan. Extension downrods may be ordered.</li> <li>9. When switching from medium to low speed, you may notice some fan wobble in the fan. When the fan stabilizes at low speed, wobble should disappear.</li> <li>10. Make sure canopy and mounting bracket are tightened securely to ceiling joist.</li> </ol>
Fan does not start	<ol style="list-style-type: none"> <li>1. Power turned off, fuse blown or circuit breaker tripped.</li> <li>2. Loose wire connections or wrong connections.</li> <li>3. Motor reversing switch not engaged.</li> </ol>	<ol style="list-style-type: none"> <li>1. Turn power on, replace fuse or reset breaker.</li> <li>2a. Turn power off and loosen canopy; check all connections according to section <b>WIRING INSTRUCTIONS</b> on page 9.</li> <li>2b. Check the plug connection in the switch housing.</li> <li>3. Push switch firmly right or left. Fan will not operate when switch is in the middle.</li> </ol>
Light does not work	<ol style="list-style-type: none"> <li>1. Wrong wire connection.</li> <li>2. Bulb is burned out.</li> </ol>	<ol style="list-style-type: none"> <li>1. Refer to Step 3, page 12 to ensure all wire connections were done correctly.</li> <li>2. Replace the bulbs.</li> </ol>

## LIMITED LIFETIME WARRANTY

The manufacturer warrants this fan to be free from defects in workmanship and material present at time of shipment from the factory for life (with limitations) from the date of purchase. This warranty applies only to the original purchaser. The manufacturer agrees to correct such defect at no charge or, at our option, replace the ceiling fan with a comparable or superior model.

To obtain warranty service, present a copy of your sales receipt as proof of purchase. All cost of removal and reinstallation are the expressed responsibility of the purchaser. Any damage to the ceiling fan by accident, misuse or improper installation, or by affixing accessories not produced by this warranty, are at the purchaser's own responsibility. The manufacturer assumes no responsibility whatsoever for fan installation during the limited lifetime warranty. Any service performed by an unauthorized person will render the warranty invalid.

Due to varying climatic conditions, this warranty does not cover changes in brass finish, rusting, pitting, tarnishing, corroding or peeling. Brass finish fans maintain their beauty when protected from varying weather conditions.

Any replacement of defective parts for the ceiling fan must be reported within the first year from the date of purchase. For the balance of the warranty, call our customer service department at 1-800-643-0067 for return authorization and shipping instructions so that we may repair or replace the ceiling fan. Any fan or parts returned improperly packaged is the sole responsibility of the purchaser. There is no further expressed warranty. The manufacturer disclaims any and all implied warranties.

The duration of any implied warranty which can not be disclaimed is limited to the lifetime limited period as specified in our warranty. The manufacturer shall not be liable for incidental, consequential or special damages arising at or in connection with product use or performance except as may otherwise be accorded by law. This warranty gives you specific legal rights, and you also have other rights which vary from state to state. This warranty supersedes all prior warranties.

**NOTE:** A small amount of "wobble" is normal and should not be considered a defect.

## FCC WARNING

This device complies with Part 15 of the FCC Rules. Operation is subject to the following two conditions:

(1) This device may not cause harmful interference, and (2) this device must accept any interference received, including interference that may cause undesired operation. Please note that changes or modifications not expressly approved by the party responsible for compliance could void the user's authority to operate the equipment.

Note: This equipment has been tested and found to comply with the limits for Class B digital device, pursuant to part 15 of the FCC Rules. These limits are designed to provide reasonable protection against harmful interference in a residential installation.

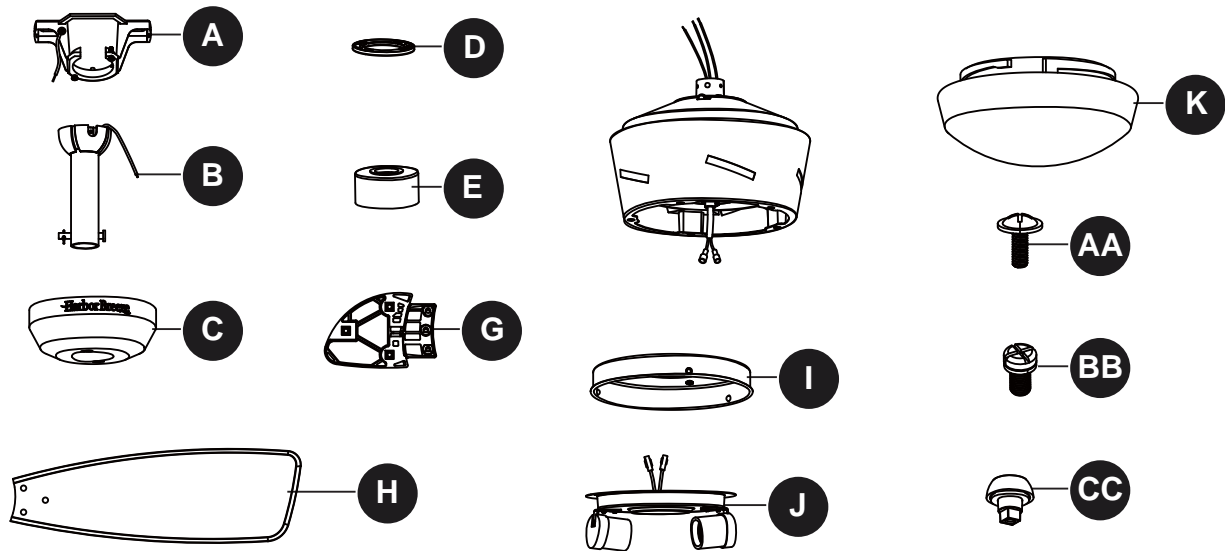
This equipment generates, uses and can radiate radio frequency energy and, if not installed and used in accordance with the instructions, may cause harmful interference to radio or television reception, which can be determined by turning the equipment off and on, the user is encouraged to try to correct the interference by one or more of the following measures:

- Reorient or relocate the receiving antenna.
- Increase the separation between the equipment and the receiver.
- Connect the equipment into an outlet on a circuit different from that to which the receiver is connected.

Consult the dealer or an experienced radio/TV technician for help.

## REPLACEMENT PART LIST

For replacement parts, call our customer service department at 1-800-643-0067, 8 a.m. - 6 p.m., EST, Monday - Thursday, 8 a.m. - 5 p.m., EST, Friday.



Part	Description	Part#
A	Mounting Bracket	A102-0219239
B	Downrod Assembly	A103-0279491
C	Canopy	A101-0499491
D	Canopy Cover	A108-0013491
E	Coupling Cover	A106-0171491
G	Blade Arm	A143-0383491
H	Blade	A141-0619030
I	Switch Housing	A121-0454491
J	Light Kit	A187-0485036
K	Glass Bowl	A182-0491030
AA	Blade Screw	B168-0599005
BB	Blade Arm Screw	
CC	Decorative Nut	