

## LIMITED WARRANTY

### 90-DAY LIMITED WARRANTY

Within the 48 contiguous United States, for 90 days from the date of purchase, when this appliance is operated and maintained according to instructions attached to or furnished with the product, warrantor will pay for factory-specified parts and repair labor to correct defects in materials or workmanship. Service must be provided by a designated service company. Outside the 48 states, all parts are warranted for 90 days from manufacturing defects. Plastic parts, shelves and cabinets are warranted to be manufactured to commercially acceptable standards, and are not covered from damage during handling or breakage.

#### ITEMS WARRANTOR WILL NOT PAY FOR:

1. Service calls to correct the installation of your appliance, to instruct you how to use your appliance, to replace or repair fuses or to correct wiring or plumbing.
2. Service calls to repair or replace appliance light bulbs or broken shelves. Consumable parts (such as filters) are excluded from warranty coverage.
3. Damage resulting from accident, alteration, misuse, abuse, fire, flood, acts of God, improper installation, installation not in accordance with electrical or plumbing codes, or use of products not approved by warrantor.
4. Replacement parts or repair labor costs for units operated outside the United States.
5. Repairs to parts or systems resulting from unauthorized modifications made to the appliance.
6. The removal and reinstallation of your appliance if it is installed in an inaccessible location or is not installed in accordance with published installation instructions.

#### DISCLAIMER OF IMPLIED WARRANTIES; LIMITATION OF REMEDIES

CUSTOMER'S SOLE AND EXCLUSIVE REMEDY UNDER THIS LIMITED WARRANTY SHALL BE PRODUCT REPAIR AS PROVIDED HEREIN. IMPLIED WARRANTIES, INCLUDING WARRANTIES OF MERCHANTABILITY OR FITNESS FOR A PARTICULAR PURPOSE, ARE LIMITED TO 90 DAYS. WARRANTOR SHALL NOT BE LIABLE FOR INCIDENTAL OR CONSEQUENTIAL DAMAGES. SOME STATES DO NOT ALLOW THE EXCLUSION OR LIMITATION OF INCIDENTAL OR CONSEQUENTIAL DAMAGES, OR LIMITATIONS ON THE DURATION OF IMPLIED WARRANTIES OF MERCHANTABILITY OR FITNESS, SO THESE EXCLUSIONS OR LIMITATIONS MAY NOT APPLY TO YOU. THIS WARRANTY GIVES YOU SPECIFIC LEGAL RIGHTS AND YOU MAY ALSO HAVE OTHER RIGHTS, WHICH VARY FROM STATE TO STATE.

**WARNING:** This product can expose you to chemicals including Nickel (Metallic) which is known to the State of California to cause cancer.

For more information go to [www.P65Warnings.ca.gov](http://www.P65Warnings.ca.gov)

Note: Nickel is a component in all stainless steel and some other metal components.

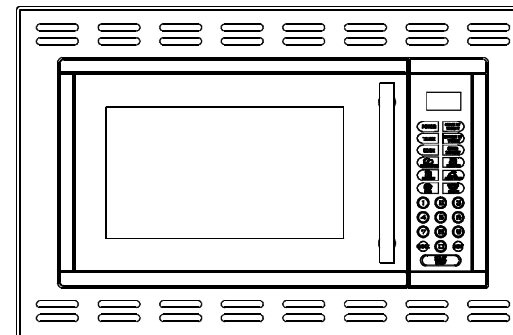
FELIX STORCH, INC.  
770 Garrison Avenue  
Bronx, NY 10474  
Phone: (718) 893-3900  
Fax: (844) 478-8799  
[www.summitappliance.com](http://www.summitappliance.com)

**SUMMIT**  
COMMERCIAL

For parts and accessory ordering,  
troubleshooting and helpful hints, visit:  
[www.summitappliance.com/support](http://www.summitappliance.com/support)

**SUMMIT**  
COMMERCIAL

## Microwave Oven Owner's Manual



MODEL: **OTR24**

1. READ these instructions carefully before installing and operating the oven.

Keep them for further reference.

2. Record in the space below the "SERIAL NO." found on the nameplate on your oven and retain this information for future reference.

SERIAL NO.:

Please save sales receipt for warranty.

## CLEANING AND CARE

1. Turn off the oven and remove the power plug from the wall socket before cleaning.
2. Keep the inside of the oven clean. When food splatters or spilled liquids adhere to oven walls, wipe with a damp cloth. Mild detergent may be used if the oven gets very dirty. Avoid the use of spray and other harsh cleaners as they may stain, streak or dull the door surface.
3. The outside surfaces should be cleaned with a damp cloth. To prevent damage to the operating parts inside the oven, water should not be allowed to seep into the ventilation openings.
4. Wipe the window on both sides with a damp cloth to remove any spills or splatters.
5. Do not allow the control panel to become wet. Clean with a soft, damp cloth. When cleaning the control panel, leave oven door open to prevent oven from accidentally turning on.
6. If steam accumulates inside or around the outside of the oven door, wipe with a soft cloth. This may occur when the microwave oven is operated under high humidity conditions. In such case, it is normal.
7. It is occasionally necessary to remove the glass tray for cleaning. Wash the tray in warm sudsy water or in a dishwasher.
8. The roller ring and oven floor should be cleaned regularly to avoid excessive noise. Simply wipe the bottom surface of the oven with mild detergent. The roller ring may be washed in mild sudsy water or dishwasher. When removing the roller ring from cavity floor for cleaning, be sure to replace in the proper position.
9. Remove odors from your oven by combining a cup of water with the juice and skin of one lemon in a deep microwaveable bowl, microwave for 5 minutes. Wipe thoroughly and dry with a soft cloth.
10. When it becomes necessary to replace the oven light, please consult a dealer to have it replaced.
11. The oven should be cleaned regularly and any food deposits removed. Failure to maintain the oven in a clean condition could lead to deterioration of the surface that could adversely affect the life of the appliance and possibly result in a hazardous situation.
12. Please do not dispose this appliance into the domestic rubbish bin, it should be disposed to the particular disposal center provided by the municipalities.

**SAVE THESE INSTRUCTIONS**

### “POPCORN”

1. Touch POPCORN pad. POPCORN automatically sets the cooking time for a 3.5 oz. bag of microwave popcorn.
2. Touch START/STOP pad.

#### NOTE:

- To reset POPCORN time: Touch POPCORN pad twice. ENTER TIME appears in display. Touch number pads to enter minutes and seconds. Touch START/STOP pad. This new cooking time will remain whenever you touch the POPCORN pad until you reset it.

### “BAKED POTATO”

For potatoes (4 to 6 oz. per entries):

1. Touch BAKED POTATO pad once.
2. Enter number of potatoes by touching number pads from 1 to 4.
3. Touch START/STOP pad.

For the large potatoes (8 to 10 oz. per entries):

1. Touch BAKED POTATO pad twice.
2. Enter number of potatoes by touching number pads from 1 to 4.
3. Touch START/STOP pad.

### “PIZZA”

Reheating a slice of leftover pizza:

1. Touch PIZZA pad once.
2. Touch START/STOP pad.

Heating a whole frozen pizza:

1. Tap PIZZA pad twice.

2. Touch START/STOP pad.

### “BEVERAGE”

For coffee cups (5 to 7 oz. per share):

1. Touch BEVERAGE pad once.
2. Enter number of cups by touching number pads from 1 to 4.
3. Touch START/STOP pad.

For the larger coffee mugs (9 to 11 oz. per share):

1. Tap BEVERAGE pad twice.
2. Enter number of mugs by touching number pads from 1 to 4.
3. Touch START/STOP pad.

### “FROZEN DINNER”

Microwaving one or two small (7-9 oz. per share) frozen dinner:

1. Touch FROZEN DINNER pad once.
2. Touch “1” or “2” to select 1 entree or 2 entrees.
3. Touch START/STOP pad.

Microwaving one or two larger (10-12 oz. per share) frozen dinner:

1. Tap FROZEN DINNER pad twice.
2. Touch “1” or “2” to select 1 entree or 2 entrees.
3. Touch START/STOP pad.

### “REHEAT”

1. Touch REHEAT pad. .
2. Touch START/STOP pad.

#### NOTE:

This setting lets you reheat a dinner plate of chilled leftovers with good results.

PRECAUTIONS TO AVOID POSSIBLE EXPOSURE TO EXCESSIVE MICROWAVE ENERGY	
(a)	Do not attempt to operate this oven with the door-open since open-door operation can result in harmful exposure to microwave energy. It is important not to defeat or tamper with the safety interlocks.
(b)	Do not place any object between the oven front face and the door or allow soil or cleaner residue to accumulate on sealing surfaces.
(c)	Do not operate the oven if it is damaged. It is particularly important that the oven door close properly and that there is no damage to the: ① Door (bent), ② Hinges and latches (broken or loosened), ③ Door seals and sealing surfaces.
(d)	The oven should not be adjusted or repaired by anyone except properly qualified service personnel.

## CONTENT

PRECAUTIONS TO AVOID POSSIBLE EXPOSURE TO EXCESSIVE MICROWAVE ENERGY.....	1
IMPORTANT SAFETY INSTRUCTIONS .....	2
GROUNDING INSTRUCTIONS .....	3
UTENSILS GUIDE.....	4
COOKING TECHNIQUES .....	6
BEFORE YOU CALL FOR SERVICE.....	7
SPECIFICATIONS.....	7
PART NAMES .....	7
CONTROL PANEL.....	8
OPERATION INSTRUCTIONS.....	9
SETTING THE CLOCK .....	9
SETTING THE OVEN TIMER .....	9
SETTING COOKING TIMES AND POWER LEVELS .....	9
SETTING “SPEED DEFROST” .....	10
SETTING “COOK BY WEIGHT” .....	10
SETTING “DEFROST BY WEIGHT” .....	11
SETTING “SAFETY LOCK” .....	11
ABOUT “QUICK COOK” SETTINGS .....	11
“POPCORN” .....	12
“BAKED POTATO” .....	12
“PIZZA” .....	12
“BEVERAGE” .....	12
“FROZEN DINNER” .....	12
“REHEAT” .....	12
CLEANING AND CARE.....	13



# IMPORTANT SAFETY INSTRUCTIONS

When using electrical appliances, basic safety precautions should be followed, including the following:

**WARNING** - To reduce the risk of burns, electric shock, fire, and injury to persons or exposure to excessive microwave energy:

1. Read all instructions before using the appliance.
2. Read and follow the specific "PRECAUTIONS TO AVOID POSSIBLE EXPOSURE TO EXCESSIVE MICROWAVE ENERGY" on page 1.
3. This appliance must be grounded. Connect only to properly grounded outlet. See "GROUNDING INSTRUCTIONS" on page 3.
4. Install or locate this appliance only in accordance with the provided installation instructions.
5. Some products such as whole eggs and sealed containers -for example, closed glass jars- are able to explode and should not be heated in this oven.
6. Use this appliance only for its intended use as described in this manual. Do not use corrosive chemicals or vapors in this appliance. This type of oven is specifically designed to heat, cook, or dry food. It is not designed for industrial or laboratory use.
7. As with any appliance, close supervision is necessary when used by children.
8. To reduce the risk of fire in the oven

cavity:

- ✧ Do not overcook food. Carefully attend appliance when paper, plastic, or other combustible materials are placed inside the oven to facilitate cooking.
  - ✧ Remove wire twist-ties from paper or plastic bags before placing bag in oven.
  - ✧ If materials inside the oven should ignite, keep oven door closed, turn oven off, and disconnect the power cord or shut off power at the fuse or circuit breaker panel.
  - ✧ Do not use the cavity for storage purposes. Do not leave paper products, cooking utensils or food in the cavity when not in use.
9. Liquids, such as water, coffee, or tea can be overheated beyond the boiling point without appearing to be boiling due to surface tension of the liquid. Visible bubbling or boiling when the container is removed from the microwave oven is not always present. **THIS COULD RESULT IN VERY HOT LIQUIDS SUDDENLY BOILING OVER WHEN A SPOON OR OTHER UTENSIL IS INSERTED INTO THE LIQUID.** To reduce the risk of injury to person:
- ✧ Do not overheat the liquid.
  - ✧ Stir the liquid both before and halfway through heating it.
  - ✧ Do not use straight-sided containers with narrow necks.

.47 to .53	8
.54 to .59	9
.60 to .65	10
.66 to .71	11
.72 to .78	12
.79 to .84	13
.85 to .90	14
.91 to .97	15
above .97	go to next even

- During cooking process, the oven will pause automatically and sound beeps to remind user to turn food over, then touch START/STOP to resume cooking.
- After total time elapsed, the system will sound beeps with END in display. And the beeps will continue to sound every two minutes automatically until the door is opened or any pad is touched.

## SETTING "DEFROST BY WEIGHT"

1. Touch DEFROST BY WEIGHT pad.
2. Enter food weight. (The maximum weight you can enter is 5 lb. 16oz.)
3. Touch START/STOP pad.

### NOTE:

## ABOUT "QUICK COOK" SETTINGS

"QUICK COOK" allows you to cook or reheat food automatically without entering power level or time. When setting "quick cook", check visual guide on pad for correct setting. Three "quick cook" settings allow you to cook several amounts of the same food. These include the "FROZEN DINNER", "BAKED

• Weight must be in pounds and ounces. Ounce weights less than 10 must be preceded by a 0. If label gives weight in pounds only, change the fraction of a pound to ounces using the chart on this page.

• During defrosting process, you need to turn food over once. Then touch START/STOP pad to resume defrosting.

• After total time elapsed, the system will sound beeps with END in display. And the beeps will continue to sound every two minutes automatically until the door is opened or any pad is touched.

## SETTING "SAFETY LOCK"

The safety lock prevents unsupervised operation by little children.

To set: press and hold RESET pad for 3 seconds, lock indicator lights.

To cancel: press and hold RESET pad for 3 seconds, lock indicator goes off.

POTATO" and "BEVERAGE". After you touch these pads, ENTER AMT appears in the display. In each "quick cook" category, smaller size food is set by touching pad once. The larger size can be set by touching the picture pad twice.

cooking time and (lower) power level.  
(Most 2-stage recipes use lower power for second stage.)

3. Touch START/STOP pad.

**NOTE:**

After total time elapsed, the system will sound beeps with END in display. And the beeps will continue to sound every two minutes automatically until the door is opened or any pad is touched.

**SETTING “SPEED DEFROST”**

1. Touch SPEED DEFROST pad.
2. Enter desired defrosting time by touching correct number pads.
3. Touch START/STOP pad.

**NOTE:**

- After total time elapsed, the system will sound beeps with END in display. And the beeps will continue to sound every two minutes automatically until the door is opened or any pad is touched.
- After setting SPEED DEFROST, oven can be programmed to automatically switch to one or two-Stage cooking.
- For speed defrost and one stage cooking, follow steps above. Before touching START/STOP pad, touch COOK pad, and enter time and power level. Then touch START/STOP pad.
- For speed defrost and two stage cooking, follow steps above. Before touching START/STOP pad, touch COOK pad, and enter two-stage

cooking programs.

**SETTING “COOK BY WEIGHT”**

1. Touch COOK BY WEIGHT pad.
2. Touching the single digit 1-3 pad to select food code.
3. Enter food weight.
4. Touch START/STOP pad.

**NOTE:**

- Your microwave oven makes cooking easy. You set the type and weight of food, and the oven automatically sets the cooking time and power level.

“COOK BY WEIGHT ” CODE DESCRIPTIONS		
CODE	TYPE	MAX WEIGHT
1	Beef	5 lb. 16oz
2	Mutton	5 lb. 16oz
3	Pork	5 lb. 4oz

- Meat must be defrosted and at refrigerated temperature.
- Weight must be in pounds and ounces. Ounce weights less than 10 must be preceded by a “0”. If label gives weight in pounds only, change the fraction of a pound to ounces using the following chart.

CONVERTING FRACTIONS OF A POUND TO OUNCES	
FRACTIONS OF A POUND	OUNCES
Less than .03	0
.03 to .09	1
.10 to .15	2
.16 to .21	3
.22 to .27	4
.28 to .34	5
.35 to .40	6
.41 to .46	7

- ◇ After heating, allow the container to stand in the microwave oven for a short time before removing the container.
  - ◇ Use extreme care when inserting a spoon or other utensil into the container.
10. Do not heat oil or fat for deep-frying. It is difficult to control the temperature of oil in microwave oven.
  11. Pierce foods with heavy skins such as potatoes, whole squash, apples and chestnuts before cooking.
  12. The contents of feeding bottles and baby jars should be stirred or shaken and the temperature should be checked before serving in order to avoid burns.
  13. Cooking utensils may become hot because of heat transferred from the heated food. Potholders may be needed to handle the utensil.
  14. Do not cover or block any openings on the appliance.
  15. Do not store or use this appliance outdoors. Do not use this product near water, for example, near a kitchen sink, in a wet basement, near a swimming

- pool, or similar locations.
16. Do not operate this appliance if it has a damaged cord or a plug, if it is not working properly or if it has been damaged or dropped.
  17. Do not immerse cord or plug in water. Keep cord away from heated surface. Do not let cord hang over edge of table or counter.
  18. Use only thermometers, which are specifically designed for use in microwave ovens.
  19. Do not operate any heating or cooking appliance beneath this appliance.
  20. Be certain the glass tray and roller rings are in place when you operate the oven
  21. This appliance should be serviced only by qualified service personnel contact nearest authorized service facility for examination, repair, or adjustment.
  22. When cleaning surfaces of door and oven that comes together on closing the door, use only mild, nonabrasive soaps, or detergents applied with a sponge or soft cloth.

## GROUNDING INSTRUCTIONS

This appliance must be grounded. In the event of an electrical short circuit, grounding reduces risk of electric shock by providing an escape wire for the electric current. The appliance is equipped with a cord having a grounding wire with a grounding plug. The plug must be plugged into an outlet that is properly installed and grounded.

**WARNING:** Improper use of the grounding plug can result in a risk of electric shock.

**Electrical Requirements**

The electrical requirements are a 120 volt 60 Hz, AC only, 20 amp. It is recommended that a separate circuit serving only the oven be provided. The oven is equipped with a 3-prong



grounding plug. It must be plugged into a wall receptacle that is properly installed and grounded.

#### Power Supply Cord

1. A short power supply cord is provided to reduce the risks resulting from becoming entangled in or tripping over a longer cord.
2. Longer cord sets or extension cords are available and may be used if care is exercised in their use.
3. If long cord or extension cord is used:
  - a) The marked electrical rating of the cord set or extension cord should be at least as great as the electrical rating of the appliance.
  - b) The extension cord must be a grounding-type 3-wire cord, and The longer cord should be arranged so that it will not drape over the counter top or table top where it can be pulled on by children or tripped over unintentionally.

#### Notes:

1. If you have any questions about the grounding or electrical instructions, consult a qualified electrician or service person.
2. Neither Summit nor the dealer can accept any liability for damage to the oven or personal injury resulting from failure to observe the electrical connection procedures.

#### Radio or TV Interference

Should there be any interference caused by the microwave oven to your radio or TV, check that the microwave oven is on a different circuit, relocated the radio or TV as far away from the oven as feasible or check position and signal of receiving antenna.

## UTENSILS GUIDE

This section lists which utensils can be used in the microwave, which ones have limited use for short periods, and which ones should not be used in the microwave.

#### Recommended

- Microwave browning dish — Use to brown the exterior of small items such as steaks, chops, or pancakes. Follow the directions provided with your browning dish.
- Microwaveable plastic wrap — Use to retain steam. Leave a small opening for some steam to escape and avoid placing it directly on the food.
- Paper towels and napkins — Use for short-term heating and covering; These absorb excess moisture and prevent spattering. Do not use recycled paper towels, which may contain metal and could ignite.
- Glass and glass-ceramic bowls and dishes — Use for heating or cooking.
- Paper plates and cups — Use for short-term heating at low temperatures. Do not use recycled paper, which may contain metal and could ignite.

## OPERATION INSTRUCTIONS

#### BEEPS DURING OVEN SETTINGS

ONE BEEP: Oven accepts the entry.

TWO BEEPS: Oven does not accept the entry, check and try again.

#### SETTING THE CLOCK

1. Touch CLOCK pad.
2. Use the number pads to enter the correct time.
3. Touch CLOCK pad again.

#### NOTE:

This is a 12 hour clock. When the oven is first plugged in or when power resumes after a power interruption, the display will show ENTER CLOCK TIME, if you prefer to not have the clock displayed, touch RESET pad.

#### SETTING THE OVEN TIMER

1. Touch TIMER pad.
2. Enter the amount of time you want to count down by touching the number pads. The maximum time can be entered is 99 min. and 99sec.
3. Touch START/STOP pad.

#### NOTE:

- Time countdown can be seen by touching TIMER in timing process.
- Touch TIMER and then touch RESET to cancel TIMER during timing process.

#### SETTING COOKING TIMES AND POWER LEVELS

##### A. One-stage Cooking

1. Use the number pads to set a cooking time. You can set a cooking time from one second to 99 minutes and 99 seconds.
2. If you want to set a power level other than 100% power, touch POWER, then use the number pads to enter the power level.
3. Touch START/STOP to start cooking.

#### USE THESE SINGLE DIGIT TO REPRESENT POWER LEVELS

Number pad	% of Power
1, 0	100%
9	90%
8	80%
7	70%
6	60%
5	50%
4	40%
3	30%
2	20%
1	10%
0	0%

##### B. Two-stage Cooking

Some recipes require different stages of cooking at different temperatures.

##### 1. SET STAGE 1:

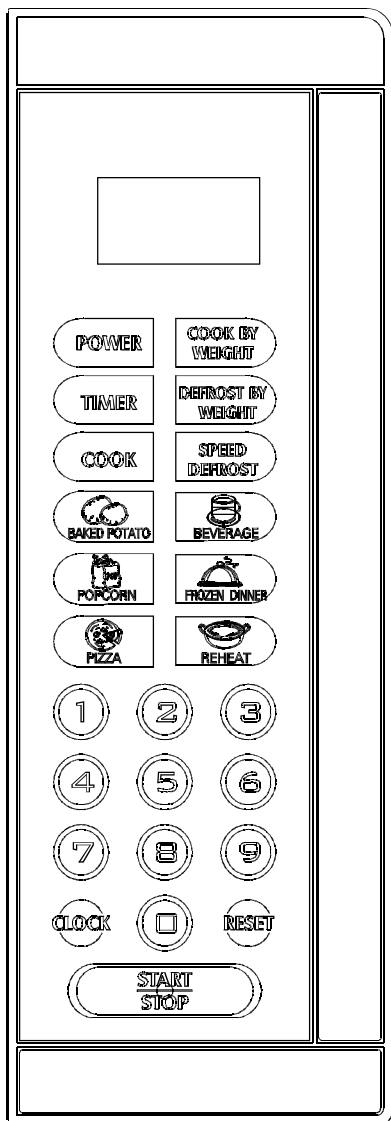
Follow steps 1 and 2 in "One-stage Cooking".

Do not touch START/STOP pad.

##### 2. SET STAGE 2:

Touch COOK pad then enter proper

## CONTROL PANEL



(Also see following pages for more detail.)

### DISPLAY

Cooking time, power, indicators and present time are displayed.

### BAKED POTATO POPCORN

### PIZZA BEVERAGE

### FROZEN DINNER REHEAT

Allow you to reheat or cook food automatically without entering power level or time.

### NUMBER PADS (0-9)

Touch to set time or amounts.

### POWER

Use to set power level.

### TIMER

You can use the TIMER function independently, even while a cooking program is going on in the oven.

### COOK

Use for multi-stage cooking. Enables cooking at multiple power and time settings automatically.

### COOK BY WEIGHT

Programmed cooking based on weight of food.

### DEFROST BY WEIGHT

Programmed defrosting based on the weight of the food to be defrosted.

### SPEED DEFROST

Quick defrost function that alternates defrost and stand times to quickly and effectively defrost food.

### CLOCK

Touch to set the clock.

### RESET

Clears all previous settings if touched before cooking starts.

### START/STOP

Touch to start or stop cooking.

- Wax paper — Use as a cover to prevent spattering.
- Thermometers — Use only those labeled “Microwave Safe” and follow all directions. Check the food in several places. Conventional thermometers may be used on microwave food once the food has been removed from the oven.

### Limited Use

- Aluminum foil — Use narrow strips of foil to prevent overcooking of exposed areas. Using too much foil can damage your oven, so be careful.
- Ceramic, porcelain, and stoneware — Use these if they are labeled “Microwave Safe”. If they are not labeled, test them to make sure they can be used safely.
- Plastic — Use only if labeled “Microwave Safe”. Other plastics can melt.
- Straw, wicker, and wood — Use only for short-term heating, such as warming dinner rolls for a few seconds. Baskets and bowls may be flammable.

### Not Recommended

- Glass jars and bottles — Regular glass is too thin to be used in a microwave. It can shatter and cause damage and injury.
- Paper bags — These are a fire hazard, except for popcorn bags that are designed for microwave use.
- Styrofoam plates and cups — These can melt and leave an unhealthy residue on food.
- Plastic storage and food containers — Containers such as margarine tubs can melt in the microwave.
- Metal utensils — These can damage your oven. Remove all metal before cooking.

**Note:** Should you wish to check if a dish is safe for microwaving, place the empty dish in the oven and microwave on HIGH for 30 seconds. A dish which becomes very hot should not be used.

SAVE THESE INSTRUCTIONS

## COOKING TECHNIQUES

Your microwave makes cooking easier than conventional cooking, provided you keep these considerations in mind:

### Stirring

Stir foods such as casseroles and vegetables while cooking to distribute heat evenly. Food at the outside of the dish absorbs more energy and heats more quickly, so stir from the outside to the center. The oven will turn off when you open the door to stir your food.

### Arrangement

Arrange unevenly shaped foods, such as chicken pieces or chops, with the thicker, meatier parts toward the outside of the turntable where they receive more microwave energy. To prevent overcooking, place delicate areas, such as asparagus tips, toward the center of the turntable.

### Shielding

Shield food with narrow strips of aluminum foil to prevent overcooking. Areas that need shielding include poultry wing-tips, the ends of poultry legs, and corners of square baking dishes. Use only small amounts of aluminum foil. Larger amounts can damage your oven.

### Turning

Turn foods over midway through cooking to expose all parts to microwave energy. This is

especially important with large foods such as roasts.

### Standing

Foods cooked in the microwave build up internal heat and continue to cook for a few minutes after heating stops. Let foods stand to complete cooking, especially foods such as cakes and whole vegetables. Roasts need this time to complete cooking in the center without overcooking the outer areas. All liquids, such as soup or hot chocolate, should be shaken or stirred when cooking is complete. Let liquids stand a moment before serving. When heating baby food, stir well at removal and test the temperature before serving.

### Adding moisture

Microwave energy is attracted to water molecules. Food that is uneven in moisture content should be covered or allowed to stand so that the heat disperses evenly. Add a small amount of water to dry food to help it cook.

SAVE THESE INSTRUCTIONS

## BEFORE YOU CALL FOR SERVICE

If the oven fails to operate:

1. Check to ensure that the oven is plugged in securely. If it is not, remove the plug from the outlet, wait 10 seconds and plug it in again securely.
2. Check for a blown circuit fuse or a tripped main circuit breaker. If these seem to be operating properly, test the outlet with another appliance.
3. Check to ensure that the control panel is programmed correctly and the timer is set.
4. Check to ensure that the door is securely closed engaging the door safety lock system. Otherwise, the microwave energy will not flow into the oven.

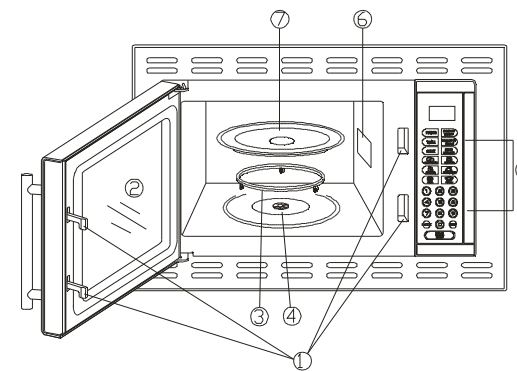
IF NONE OF THE ABOVE RECTIFIES THE SITUATION, THEN CONTACT A QUALIFIED TECHNICIAN. DO NOT TRY TO ADJUST OR REPAIR THE OVEN YOURSELF.

## SPECIFICATIONS

Power Consumption:	120V~60Hz, 1350W
Output	900W
Operation Frequency	2450MHz
Outside Dimensions (H×W×D)	12 × 19 × 15 <sup>11</sup> / <sub>16</sub> inches.
Inside Dimensions (H×W×D):	8 <sup>11</sup> / <sub>16</sub> × 13 <sup>3</sup> / <sub>8</sub> × 12 <sup>5</sup> / <sub>8</sub> inches.
Oven Capacity	0.9cu.ft.
Net Weight	Approx. 30lbs.

Note: the data quoted above may be further confirmed or updated.

## PART NAMES



1. Door Safety Lock System
2. Oven Window
3. Turntable Roller
4. Shaft
5. Control Panel
6. Wave Guide
7. Glass Tray