



## Operating Instructions

### 40cm Pedestal Fan with Remote



Model: GCPF16o



# General Care and Safety Guide

**Thank you for choosing this Goldair product. This Goldair appliance has been designed and manufactured to high standards of engineering and with proper use and care, as described in this leaflet, will give you years of useful service. Please read these instructions carefully and keep them for future reference.**

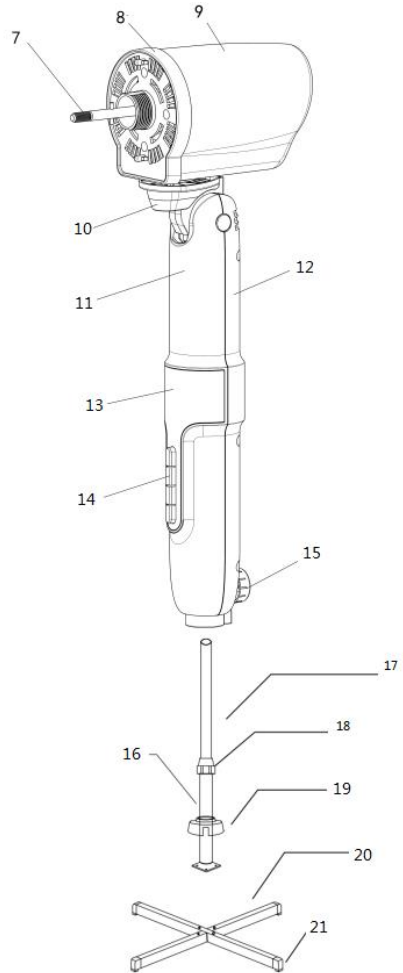
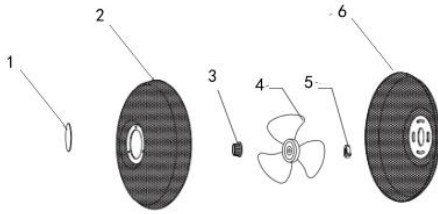
1. This appliance is not intended for use by persons (including children) with reduced physical, sensory or mental capabilities, or lack of experience and knowledge, unless they have been given supervision or instruction concerning use of the appliance by a person responsible for their safety.
2. Children should be supervised to ensure that they do not play with the appliance.
3. If the supply cord is damaged, it must be replaced by the manufacturer, its service agent or similarly qualified persons in order to avoid a hazard.
4. Ensure that the fan is switched off from the supply mains before removing the guard.
5. Use only the voltage specified on the rating plate of the appliance.
6. Keep all objects at least 1 Metre from the front, sides and rear of the appliance
7. This appliance is intended for household use only and not for commercial or industrial use.
8. Use this appliance only as described in this manual. Any other use is not recommended by the manufacturer and may cause fire, electric shock or injury.
9. The common cause of overheating is deposits of dust or fluff in the appliance. Ensure these deposits are removed regularly by unplugging the appliance and vacuum cleaning the air vents and grills.
10. Always unplug appliance when not in use.
11. When the appliance has been unpacked, check it for transport damage and ensure all parts have been delivered. If parts are missing or the appliance has been damaged, contact the Goldair Customer Services Team.
12. If your appliance does not work, or is not working properly, contact the place of purchase. Repair work on the appliance by unqualified persons can cause serious risk to the user.
13. Ensure hands are dry before handling the plug or the main unit.
14. Carry out regular checks of the supply cord to ensure no damage is evident.
15. Ensure that the cord is fully extended (not coiled) while in use.
16. Avoid contact with the moving parts. Keep hands, hair, clothing, away from blade of the fan during operation to reduce the risk of injury to person and/or damage to the unit.
17. Switch off and use handles provided when moving.
18. It is recommended that this fan is plugged directly into the wall socket.
19. A correctly specified, undamaged extension cord may be used with this fan provided it is used in a safe manner.

# General Care and Safety Guide

20. Never place appliance close to radiant heat source.
21. Never operate in areas where petrol, paint or other flammable liquids are used or stored.
22. Never use the appliance to dry clothes.
23. Never insert or allow foreign objects to enter any ventilation or exhaust opening, as this may cause an electric shock, fire or damage to the appliance.
24. Never use abrasive cleaning products on this appliance. Clean with a damp cloth (not wet) rinsed in hot soapy water only. Always remove plug from the mains supply before cleaning.
25. Never connect the appliance to mains supply until completely assembled and adjusted.
26. Never remove plug from power socket until the appliance has been switched off.
27. Never remove plug from power socket by pulling cord – always grip plug.
28. Never twist, kink or wrap the cord around the appliance, as this may cause the insulation to weaken and split. Always ensure that all cord has been removed from any cord storage area and is unrolled before use.
29. Never use this appliance in the immediate surrounds of a bath, a shower, or a swimming pool or other liquids. The appliance must not be immersed in any liquids.
30. Due to the risk of injury, never use this appliance for any purpose other than its intended use. This appliance is intended for use in household and similar applications such as staff kitchen areas in shops, offices and other working environments; farm houses, by clients in hotels, motels, bed and breakfast type environments and other residential type environments
31. Never use this appliance outdoors.
32. Never operate the appliance with a damaged cord or plug, after it malfunctions, or if it has been damaged in any manner. Have the appliance checked and repaired by a qualified electrician if repair is necessary.
33. Never place the unit in wardrobes or other enclosed spaces as this may cause fire hazards.



# Components

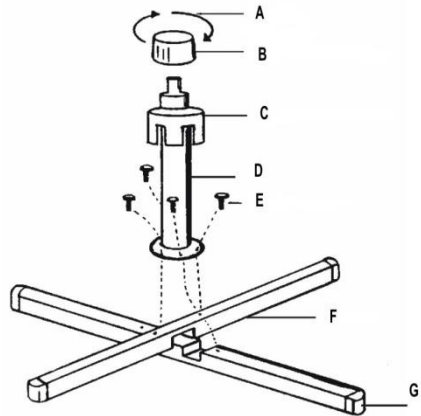


- 1.Grill nameplate
- 2.Front Grill
- 3.Blade lock
- 4.Blade
- 5.Grill lock
- 6.Back grill
- 7.Motor shaft
- 8.Motor front Housing
- 9.Motor back housing/ Oscillation bar
- 10.Motor neck
- 11.Fan front body
- 12.Fan back body
- 13.Decoration panel
- 14.Switch
- 15.Fan Body Retaining Nut
- 16.Outer stand pole
- 17.Inner stand pole
- 18.Height adjustment lock
- 19.Base cover
- 20.Cross base
- 21.Base feet

# Assembly

**WARNING: The fan should not be connected to the power mains during assembly**

- A Direction of rotation
- B Height adjustment lock
- C Base cover
- D Outer stand pole
- E 4 screws
- F Base Feet
- G Caps



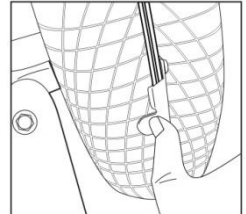
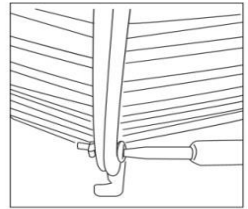
- Place the Base Feet (F) together so they form the Cross Base and place the Outer stand pole (D) upon the Base feet and fix it with the 4 screws (E) provided.
- Loosen and remove the height adjustment lock (B) and place the base cover (C) over the Outer stand pole (D).
- Let the Base cover (C) slide over the mounted feet.
- Attached the caps (G) to the base feet (F) if not already mounted.
- Pull the upper pole out of the lower stand pole (D) and slide the height adjustment ring (B) over the inner pipe onto lower stand pole (D) and tighten.

# Assembly

**WARNING:** The fan should not be connected to the power mains during assembly

## Assembly of switch compartment, motor and grill

- Loosen the fan body retaining nut (15) and place the fan body on to the inner stand pole (17). Tighten the fan body retaining nut (15) to secure in place.
- Unscrew the blade lock (3) from the motor shaft (7) by rotating it clockwise.
- Unscrew the grill lock (5) by rotating it anti-clockwise.
- Position the back grill (6) on the motor shaft/motor housing (7/8) and ensure that the locating pegs are engaged correctly in the holes in the grill.
- Tighten the rear grill with the grill lock (5) by rotating clockwise and tighten firmly.
- Place the fan blade (4) onto the motor shaft (7), locating the slot at the back of the blade on the drive pin that passes through the motor shaft (7).
- Tighten the fan blade (4) with the blade lock(3) counter clockwise.
- Loosen the locking screw mounted on the grille. Place the front grill (2) onto the back grill (6) ensuring that the small round holes are positioned to allow the locking screw through. Fix both grilles with the clips then use screwdriver to tighten the locking screw.



# Operating your Fan

Always choose a safe location for the fan, keeping in mind the safety precautions outlined. Ensure all packaging has been removed from the unit before use. This appliance requires no installation, it should be used solely as a portable appliance.

**WARNING: Keep all objects at least 1 metre from the front, sides and rear of the appliance.**

Place the fan on a dry, level and sturdy surface.

Check that the fan control switch is set to the off position before plugging into the mains supply.

To operate the fan, use the control panel buttons (14) to choose your speed setting:

0: OFF

1: Low speed

2: Medium Speed

3: High Speed

Adjust tilt by loosening the tilt adjustment knob, tilting fan head to the desired wind direction either upwards or downwards and then fasten the tilt adjustment knob to lock in place.

To turn Oscillation ON/OFF, push and pull the oscillating bar on the motor back housing (9)

# Cleaning

The fan requires regular cleaning to ensure trouble free operation.

Ensure that the fan is switched off from the supply mains before removing the guard.

Unplug the fan from the mains supply before cleaning.

Use a damp cloth (not wet) to wipe the exterior of the fan to remove dust and dirt.

Use a vacuum cleaner to remove dust and fluff from around the grills.

Ensure the fan is dry before plugging back into the mains supply.

Do not attempt to dismantle the fan. There are no user serviceable parts. For service or repair, contact an authorised electrical service technician.

## PROOF OF PURCHASE

To receive warranty retain receipt as proof of purchase. (Refer to back of booklet).

**Goldair**<sup>™</sup>

### SUPPORT AND TECHNICAL ADVICE

**Goldair – New Zealand**  
Monday – Friday 8am-5pm  
Phone +64 (0)9 917 4000  
Phone 0800 232 633  
info@cdb.co.nz

**Goldair – Australia**  
Monday – Friday 8am-5pm  
Phone +61 (0)3 9365 5100  
Phone 1300 465 324  
info@cdbgoldair.com.au



## One Year Warranty

Thank you for purchasing this Goldair product. Your product is warranted against faults and manufacture when used in normal domestic use for a period of **one year**. In non-domestic use Goldair limits the voluntary warranty to **three months**.

Goldair undertake to repair or replace this product at no charge if found to be defective due to a manufacturing fault during the warranty period.

This warranty excludes damage caused by misuse, neglect, shipping accident, incorrect installation, or work carried out by anyone other than a qualified electrical service technician.

PLEASE KEEP YOUR RECEIPT AS THIS WILL HELP VERIFY YOUR WARRANTY.

The benefits to you given by this warranty are in addition to other rights and remedies available to you under a law in relation to the goods or services to which this warranty relates.

In Australia, our goods come with guarantees that cannot be excluded under the Australian Consumer Law. You are entitled to a replacement or refund for a major failure and compensation for any other reasonably foreseeable loss or damage. You are also entitled to have the goods repaired or replaced if the goods fail to be of acceptable quality and the failure does not amount to a major failure.

In New Zealand this warranty is additional to the conditions and guarantees of the Consumers Guarantee Act (1993).

### Goldair – New Zealand

CDB Goldair  
PO Box 100-707  
N.S.M.C  
Auckland, 0745

Phone +64 (0)9 917 4000  
Phone 0800 232 633  
[www.goldair.co.nz](http://www.goldair.co.nz)

### Goldair – Australia

CDB Goldair Australia Pty  
PO Box 574  
South Morang  
Victoria, 3752

Phone +61 (0)3 9365 5100  
Phone 1300 GOLDAIR (1300 465 324)  
[www.goldair.com.au](http://www.goldair.com.au)

**Goldair One Year Warranty** (IMPORTANT: Please complete and retain this warranty card)

Name \_\_\_\_\_

Address \_\_\_\_\_

Place Of Purchase \_\_\_\_\_ Date of Purchase \_\_\_\_\_

Name Of Product \_\_\_\_\_ Model Number \_\_\_\_\_

Attach a copy of the purchase receipt to this warranty card

Due to continual design improvements, the product illustrated in this User Manual may differ slightly from the actual product.



# Goldair™



CDB  Goldair™

New Zealand  
PO Box 100707,  
North Shore Mail Centre,  
Auckland, 0745  
[www.goldair.co.nz](http://www.goldair.co.nz)

Australia  
PO Box 574,  
South Morang,  
Victoria, 3752  
[www.goldair.com.au](http://www.goldair.com.au)