



SPIN & GO PORTABLE CORDLESS BLENDER

USER GUIDE



Scan for more,
videos, tips, recipes,
and more!

[GREENPAN.US/PAGES/
SPIN-AND-GO-
PORTABLE-BLENDER](https://www.greenpan.us/pages/spin-and-go-portable-blender)

IMPORTANT SAFEGUARDS

Before using this electrical appliance, basic precautions should always be followed. Before using the device and its accessories, please read all instructions.

If you let anyone else use your blender, ensure they understand the safety information in this User Guide and any additional safety or usage instructions. Each person using this blender should completely read the User Guide to become familiar with the safe operation of the unit.

POWER, CORD, & BATTERY SAFETY

A lithium-ion battery is the power source for this portable blender. Please read and follow all charging instructions carefully.

1. This portable blender is powered by a rechargeable battery and can operate cordlessly once charged – no charging cord or outlet is required during use. To prevent accidental blade activation, always make sure the blender is turned OFF when not in use, when cleaning, or when drinking directly from the cup lid.
2. This device contains non-replaceable batteries and moving parts that may pose a risk to the user. Do not attempt to replace the battery by yourself. Contact GreenPan Customer Service if battery is damaged or malfunctioning.
3. Ensure the USB-C charger cord is fully dried before recharging.
4. Even if this device is severely damaged, please do not dispose of it casually. Lithium-ion batteries may explode in a fire, please recycle or dispose in a proper way.
5. For safe use, charge and operate this appliance only in environments between 32°F and 104°F. Use outside this range may cause battery damage, overheating, reduced performance, or hazard.

6. Only use the charging cord provided. Using a charging cord that does not correspond to the marking on the bottom of the motor base can result serious injury or fire.
7. To prevent the risk of fire caused by battery damage, **DO NOT** immerse the motor base in any liquid. Make sure the blender cup is fully dried before storing the base inside.
8. Inspect your charging cord regularly.
9. **DO NOT** let the charging cord touch hot surfaces or any extreme heat source, or become knotted, tangled, or frayed.
10. **DO NOT** grab or carry your device by the charging cord.
11. To avoid the risk of electrical shock, fire or bodily injury, **DO NOT** charge or handle the unit if it is wet, or in an area that could get wet, or handle with wet hands.
12. **DO NOT** charge your device around flammable materials, on your bed or couch, or on top of any type of paper.
13. **DO NOT** charge in an area of extreme heat or cold.
14. Always unplug the charging cord when not in use.
15. **DO NOT** use your unit if the motor base is overheated, has an odor, leaks, is bulging, or changes in color/shape. Leaks from battery cells can occur under extreme conditions.
16. **DO NOT** use your unit in any high-heat area, such as a cabinet above your oven or stove, near a radiator or heater, or in any area exposed to direct sunlight.

17. Avoid contact with battery fluid. If a battery leaks:

Keep the leaked fluid from touching your skin, eyes, clothes, or other surfaces. If the battery fluid contacts your skin, eyes, or clothes, immediately rinse the affected area with water and contact your doctor or other medical providers as appropriate.

HEAT AND PRESSURE SAFETY

DO NOT mix hot, warm, or effervescent liquids, as doing so may increase pressure and pose a risk of burns or other injuries to the user.

1. **DO NOT** store ingredients for extended amounts of time before or after blending them. Some foods may contain active ingredients or release gases that will expand if left in a sealed container, resulting in excessive pressure buildup that can pose a risk of injury.
2. Only blend room-temperature or refrigerated ingredients (70°F/21°C or cooler).
3. Effervescent ingredients (e.g., soda, baking powder, baking soda, yeast, some batters, cake mix, dry ice, or other things that become bubbly) release gasses that increase pressure within the cup when blending. Some protein powders include effervescent ingredients.
4. Always check the ingredients of all supplements before blending.
5. Excessive blending causes ingredients to heat up, which builds pressure in the cup over time. Continuous blending for more than one minute may cause the cup to separate, exposing the blade or expelling heated contents and causing injury.

CUP SAFETY

DO NOT fill food above the MAX line.

1. If the cup is hot or warm to the touch, the contents may be heated and pressurized. If this happens, take these steps:
 - **DO NOT OPEN.** Leave the cup where it is and do not touch it or allow others to touch it. **NEVER** attempt to separate the cup from the motor base as this can result in injury.
 - **DO NOT** blend again.
 - Allow the cup to cool for at least 30 minutes. If still warm, allow for more cooling time.
 - Once cool to the touch, slowly open the lid, while pointing away from your face and body.
2. Operate only when the container cup lid is tightened and drinking spout cover is closed.
3. **DO NOT** use the cup if you detect cracking, cloudiness, or other damage.

BLADE SAFETY

CAUTION: Blades are extremely sharp, use caution when cleaning the cup.

1. When loading and operating blender, keep hands, hair, and clothing from the cup or any area near the blades. After removing the lid, the blade can still be activated.
2. Before each use, please check blade. If blade appears bent or is suspected to be damaged, please stop using and contact GreenPan Customer Service at 877-926-6526.
3. **DO NOT** attempt to sharpen the blades yourself.
4. **DO NOT** attempt to remove the container and/or drinking cup from the motor base while the blade is running. Before opening the lid or removing the container, please make sure the device has stopped running completely.
5. Always make sure the power is off and the charger is unplugged when assembling, disassembling, or cleaning the cup or motor base.
6. Remove all utensils and non-food items from cup before operating as it may result in bodily injury or damage to the blade and unit.
7. The blades may stop turning if the cup is overfilled. If this occurs, please refer to the Troubleshooting section in this User Guide.

SURROUNDING/GENERAL SAFETY

DO NOT use blender while driving, operating machinery, cycling, walking, or engaging in other activities that require your undivided attention.

1. **DO NOT** leave blender inside your vehicle, especially in the summer or winter. Prolonged exposure to extreme temperatures can cause the batteries to leak, rupture, or explode.
2. Periodically inspect your blender components for damage or wear that may impair proper functioning or create a safety hazard.
3. Please be careful when unpacking and assembling the blender. This device contains sharp blades, which may cause injury if operated improperly.
4. Check all the contents to ensure you have all necessary components to operate the blender correctly. Before using, please clean all parts that may come into contact with food. Please follow the washing instructions included in this user guide.
5. Please remove all packaging contents from the blender cup before processing (blade not removable). If not removed, it may cause damage or rupture of the mixing container, resulting in personal injury.
6. **DO NOT** store the device outdoors, and do not let the motor base come into contact with any liquid.
7. **DO NOT** allow children to operate this appliance or use it as a toy: When using any appliance, close supervision must be carried out, especially near children.
8. This device is not suitable for individuals with limited physical, sensory, or intellectual abilities, or lacking experience and knowledge, unless they have received supervision or guidance from personnel responsible for their safety.

9. **DO NOT** allow any part of the blender to come into contact with hot surfaces, including stoves and other heating appliances.
10. Always use electrical appliances on a dry and level surface.
11. Use only accessories and fittings provided by the product or recommended by GreenPan. Using accessories not recommended or sold by GreenPan may result in fire, electric shock, or injury.
12. When operating and handling equipment, avoid contact with moving parts. **DO NOT** put your hand inside the blender. **DO NOT** operate while the cup is empty.
13. **DO NOT** microwave any containers or accessories provided by the device.
14. This blender is not a grinder. **DO NOT** grind dry goods in this blender without adding any liquid.
15. **DO NOT** attempt to disrupt the interlocking mechanism. Ensure that the cup and lid are correctly installed before blending.
16. **DO NOT** expose containers and accessories to extreme temperatures. They may be damaged.
17. **DO NOT** leave the device unattended during use. If unmixed ingredients are found sticking to the side wall of the cup, please use the power button to turn off the device and then use a scraper to remove them.
18. **DO NOT** refrigerate or freeze the mixer motor base.
19. If the appliance overheats, a thermal switch will activate and temporarily disable the motor. To reset, turn OFF the GreenPan Portable Blender using the Power Button and allow it to cool for at least 30 minutes before using again.

SAVE THESE INSTRUCTIONS FOR HOUSEHOLD USE ONLY

TAKE YOURS TO GO.

Welcome to the GreenPan Spin & Go Portable Blender, the easiest way to mix while you're on the move. We have helpful tips and tricks to help you get started making incredible smoothies, rich protein shakes, and so much more. **ENJOY!**



CONTENTS

Getting Started

08 What's Included

09 Components

Controls

10 Control Panel

11 Battery Indicator Light

Blending

12 For the Perfect Blend

13 Important Helpful Tips

Cleaning & Storage

14 Cleaning & Storage

Power

15 Charging

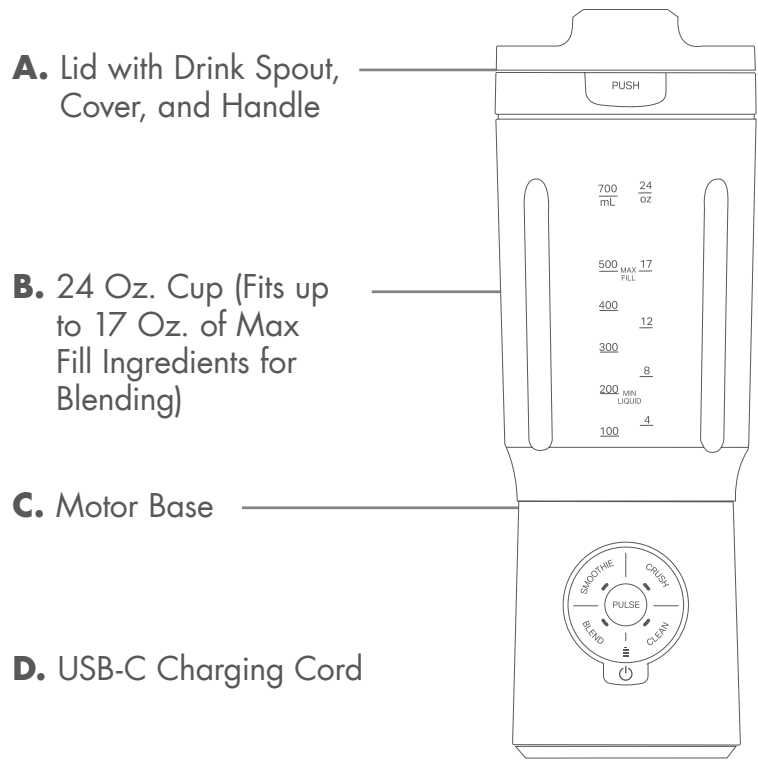
Support

16 Important Warnings

17 Troubleshooting

18 Warranty

WHAT'S INCLUDED



BEFORE FIRST USE

Remove all packaging materials and the motor base from inside the blender cup.

CHARGE

Please fully charge this blender before first use. The charger port is at the back side of base. See charging section of this User Guide for more details.

CLEAN

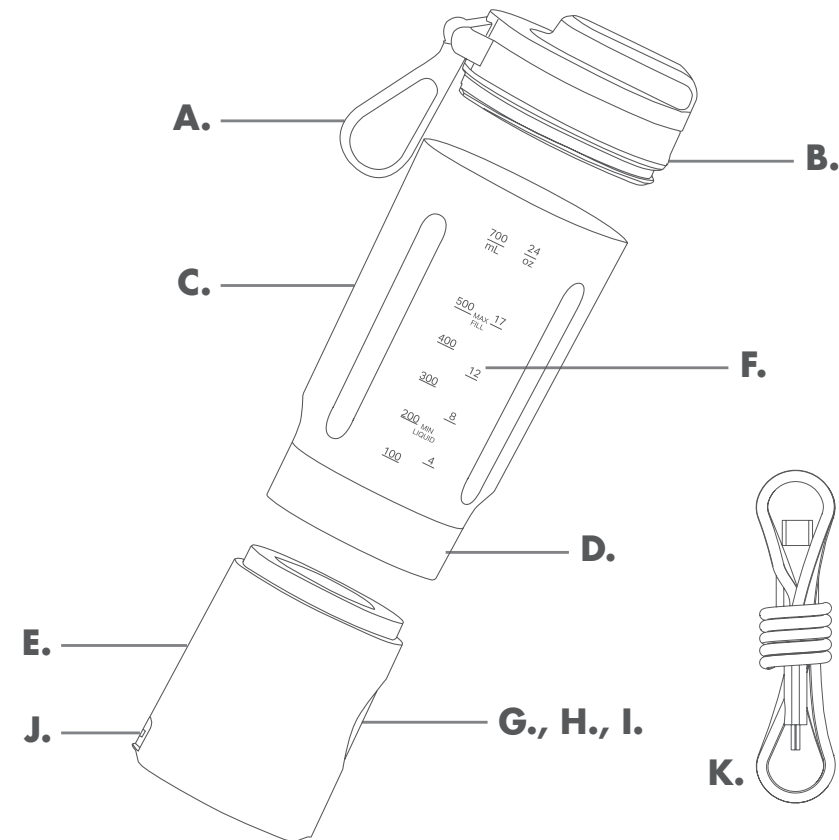
Clean all food-contact components. The cup and lid are dishwasher safe. Remove the cup from the motor base before putting the cup and lid into dishwasher.

DO NOT place the motor base in the dishwasher or immerse the motor base into any liquid.

For detailed cleaning instructions, please refer to page 14.

⚠ WARNING: Blades are sharp! Handle with care to avoid bodily injury.

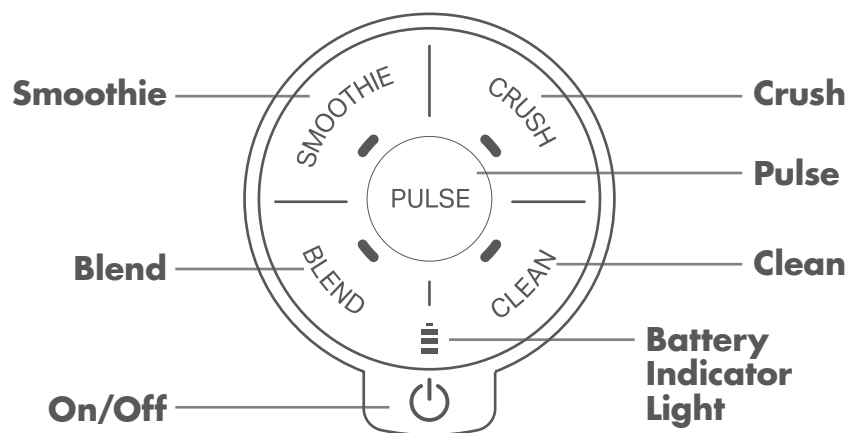
COMPONENTS



- A. Carry Handle**
- B. Leakproof Lid**
- C. 24 oz. Blender Cup**
- D. Blade (Not Removable)**
- E. Motor Base**
 - 1. DO NOT** immerse the base into any liquid.
 - 2.** Make sure blender cup is fully dried before storing motor base in it.
- F. Measurement Markings**
- G. Battery Indicator Light**
- H. Power Button**
- I. Presets**
- J. USB-C Charging Port**
- K. USB-C Charging Cord**

GETTING STARTED

CONTROL PANEL



NOTE: This blender can deliver consecutive blends, but with heavy use the blender will automatically go into rest mode to avoid overheating. Let the unit rest before starting again.

BLEND:

Perfect for liquid-heavy recipes like iced coffee, sauces, and dressings.

- Thinner Protein Shake: liquid base + protein powder + banana + light ice
- Thinner Green Smoothie: liquid base + spinach + frozen fruit + fruit juice
- Iced Coffee Drinks: cold brew + milk + vanilla (or other flavor) + ice
- Sauces: tomato, salad dressings

SMOOTHIE:

Ideal for fruit- and veggie-forward smoothies with more solids than liquids.

- Mixed Berry Smoothie: frozen berries + banana + yogurt + milk
- Tropical Smoothie: mango + pineapple + coconut water + lime juice
- Breakfast Smoothie: strawberries + banana + oats + almond milk
- Antioxidant Smoothie: blueberries + spinach + banana + coconut milk

CRUSH:

Designed for ice and frozen ingredient-heavy beverages.

- Slushies: fruit juice + ice + fresh fruit pieces
- Frozen Cocktails: spirits + mixers + lots of ice for daiquiris, piña coladas, etc.
- Chocolate Milkshake: chocolate sauce + milk + ice + sweetener
- Smoothie Bowls: minimal liquid + frozen fruit + ice for thick, spoon-able texture

PULSE:

Gives precise control for recipes needing specific textures or gentle processing.




- Guacamole: avocado + lime + onion + tomato + cilantro
- Salsa: tomatoes + onions + peppers + cilantro + chili
- Hummus: chickpeas + tahini + lemon + oil + water
- Dips and Spreads: tapenade, French Onion, etc.

CLEAN:

To use the self-clean mode, add water + a drop of dish soap into the cup, and press the Clean preset.

For best results on removing odors, add water + 1 drop of dish soap + 1 teaspoon baking soda + 1 teaspoon lemon juice, and press the Clean preset.

BATTERY INDICATOR LIGHT

-  **SOLID WHITE:** Charged.
-  **SOLID RED:** Low battery.
-  **NO LIGHT:** Charge battery.

NOTE: Light colors may vary slightly.

CORD CONNECTED:

Red or white flashing light: Charging

White solid light: Full charge and the cord should be removed

Error	Error Indication	Solution
Blender cup not well installed	4 LED slowly flashing	Re-install cup
Blade gets stuck	LED on Blend function slowly flashing	Remove cup, shake cup several times and install again
Battery indicator light is red	Low battery	Recharge
Auto-Lock/Standby	4 LED indicators oscillate	Press power button, then your desired mode
Unit overheat	All 5 LED (4 modes & battery) quickly flashing	Power off and let the blender cool down for at least 30 minutes before next use

NOTE: You are unable to operate while charging. Operation lockout during charge is to prevent overheating.

*Unit will not charge if overheat error is present.

FOR THE PERFECT BLEND

HOW TO ADD INGREDIENTS FOR BEST RESULTS

Layer your ingredients for optimal performance: start with liquids, then add fresh fruits or vegetables, followed by leafy greens or herbs. Next, include seeds, powders, or nut butters, and finish with ice or frozen items.

5. FROZEN

At the top, finish with ice or frozen ingredients.



4. PROTEIN

Add sticky ingredients (e.g. nut butter), seeds & protein powders here.



3. GREENS

Add your greens.



2. FRUITS

Layer on your fresh fruits.



1. LIQUID

At the bottom, always start with liquid ingredients.




IMPORTANT HELPFUL TIPS

1. Open the cup lid and add your ingredients. If ice cubes are used, please add them last. Then secure the lid and close the drinking spout. Refer to How to Add Ingredients for Best Results (page 12) when filling.

NOTE: The blending capacity of this cup is 17 oz./500mL. **DO NOT** overfill the cup with ingredients past the max fill line.

2. Install the cup onto the base and rotate it clockwise until you hear it click into place.

3. Press and hold POWER button for 2 secs to turn on the device. The indicator light will turn fully white, and the battery level will be displayed.

NOTE: After 15 seconds of no operation, the device goes into Auto-lock mode (lights will be oscillating). The program will lock the unit to prevent accidental operation. The user must press the power button  to unlock the unit, then select their desired mode for operation.

4. Press the preset for your blend.

5. After blending or self cleaning, ensure the blade stops rotating before removing the cup from the motor base. The cup can be detached from the motor base for drinking. If you want to drink with the motor base attached, please turn off the motor before drinking.

6. Press and hold the power button  for 2 seconds to turn off the blender.

7. Open the cap and drink or pour.

8. Refer to the Cleaning & Storage section on page 14 for cleaning and storage instructions.

WARNINGS:

NOTE: If the blade gets stuck, the cup can be inverted for a few seconds, then slowly placed upright before resuming.

NOTE: The blade is very sharp. Handle with care.

DO NOT mix hot, warm, or effervescent liquids, as doing so may increase pressure and pose a risk of burns or other injuries to the user.

DO NOT fill ingredients above the **MAX** line.

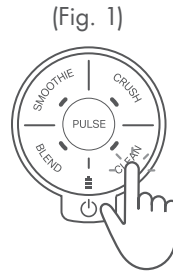
CLEANING & STORAGE

⚠ WARNING: Even if the lid is open or removed, the blade can still spin. Always remove the cup from the motor base before cleaning.

NOTE: Blade is not removable. The blade is very sharp. Handle with care.

CLEAN MODE

1. Remove the cup from motor base and remove the lid from the cup.
2. Pour 10-16 oz. of clean water into the cup, then add a small drop of dishwashing detergent.
3. Secure the lid onto the cup, then connect cup to motor base and press the "CLEAN" button (Fig. 1).
4. Stop the program after one minute.
5. Remove the cup from motor base, pour out the contents, and rinse the container and lid with warm water.



HAND WASHING

1. Remove the cup from motor base and clean the lid and cup with warm soapy water.
2. **NEVER** put your hand inside the cup. Due to the sharp blade, please empty contents and rinse the cup and lid with warm water.
3. **DO NOT** let the motor base come into contact with water or other liquids. Let all components fully air-dry before storing.

MOTOR BASE

- The motor base cannot be cleaned in a dishwasher and should not be exposed to water or other liquids.
- If necessary, please wipe the motor base with a damp cloth.

DISHWASHER SAFE PARTS

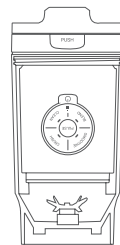
- Only the cup and lid can be put in the dishwasher.

STORAGE

- Store the device upward in a cool and dry place.
- **DO NOT** store mixed or unmixed ingredients in the cup.
- **DO NOT** stack items on the device.

NOTE: Make sure the blender cup is fully dried before storing base inside.

NOTE: The Spin & Go packs together for compact storage (Fig. 2).



(Fig. 2)

CHARGING

HOW TO RECHARGE

- Please fully charge this blender before first use, approximately 70 minutes. The charging port is at the back side of motor base. Always use the supplied USB-C charging cord.
- When charging, the indicator light flashes. When fully charged, the battery indicator light will remain solid white.
- Recharging takes approximately 60-70 minutes. The charger outlet should be at least 25W to ensure a fast charge.

DO NOT use a computer USB as a charging port. For more information about charging status, please refer to the battery indicator light section.

NOTE: When disconnecting the cord, pull on the plug, **DO NOT** pull on the cord.

NOTE: Ensure the USB-C charger cord & port are fully dry before charging.

WARNING: Do not charge if your unit or the USB-C port is wet to avoid risk of fire or bodily injury.

⚠ IMPORTANT WARNINGS

BEFORE FIRST USE, REVIEW ALL WARNING AND CAUTION STATEMENTS IN THE IMPORTANT SAFEGUARDS SECTION.

ALWAYS MAKE SURE YOUR BLENDER IS CLEAN AND CHARGED BEFORE USE.

DO NOT mix hot, warm, or carbonated liquids, as doing so may increase pressure and pose a risk of burns or other injuries to the user.

DO NOT fill ingredients above the max fill line.

DO NOT run your portable blender when empty.

DO NOT put your hand inside the cup or near the blade when the unit is running. The blade is very sharp. Handle with care.

DO NOT store the device outdoors

DO NOT let the motor base come into contact with any liquid.

DO NOT allow children to operate this appliance or use it as a toy. When using any appliance, close supervision must be carried out, especially near children.

DO NOT attempt to sharpen the blades yourself.

DO NOT allow any part of the blender to come into contact with hot surfaces, including stoves and other heating appliances.

DO NOT microwave any containers or accessories provided by the device.

DO NOT attempt to disrupt the interlocking mechanism. Ensure that the container and cup lid are correctly installed before blending.

DO NOT expose containers and accessories to extreme temperatures. They may be damaged.

DO NOT leave the device unattended during use. If unmixed ingredients are found sticking to the side wall of the cup, please use the power button to turn off the device and then use a scraper to remove them.

DO NOT attempt to remove the container and/or drinking cap from the motor base while the blade is running. Before opening the lid or removing the container, please make sure the device has stopped running completely.

DO NOT store ingredients for extended amounts of time before or after blending them. Some foods may contain active ingredients or release gases that will expand if left in a sealed container, resulting in excessive pressure buildup that can pose a risk of injury.

DO NOT immerse the base into any liquid. Make sure the blender cup is fully dried before storing the base inside.

WARNING: Discontinue use if the blade is bent or damaged.

WARNING: Modification, improper use, and failure to follow instructions can increase the risk of serious personal injury, death, or property damage.

TROUBLESHOOTING

Issue	Cause	Solution
Not blending - 4 LEDs slowly flashing	Blender cup not installed properly	Re-install cup
All 5 LED (4 modes & battery) quickly flashing	Unit overheat	Power off and let the blender cool down for at least 30 minutes before next use
Battery indicator light is red	Low battery	Use charging cord to recharge battery to full power
Not responding to mode selection- 4 LED indicators oscillating	Auto Lock/Standby	Press power button first, then select mode
Machine won't start	Battery is dead	Use charging cord to recharge battery to full power
Ingredients not well mixed	Not adding ingredients in proper order	Ensure you are adding ingredients in the suggested order - Refer to section Usage Guide
Ingredients not well mixed	Incorrect setting	Ensure to use the proper setting BLEND: for protein, milkshake drinks SMOOTHIE: for fruit drinks CRUSH: for ice crushing and frozen drinks PULSE: for control over processing
Leaking	Overfilling	Do not exceed the max fill line on cup
Beverage has an odd taste or texture	Machine not properly cleaned after previous use	Thoroughly clean all parts before the next use
The machine is making a loud noise	Ingredients are too hard or dense	Use softer ingredients or cut them into smaller pieces
The machine is making a loud noise	Blade is clogged or obstructed	Turn off and ensure there's no obstruction
The machine is making a loud noise	The motor is damaged or malfunctioning	Contact customer support or a technician to check the motor
Machine smells burnt	Overheating due to overuse or excessive blending	Allow the machine to cool down for at least 30 minutes before using again
Blades are not turning properly	Ingredients are too hard or packed/filled too tightly	Cut the ingredients into smaller pieces and avoid overfilling
LED on Blend function slowly flashing	Blades are not turning properly/stuck	Remove cup, shake it several times and install again

This product is not intended to be serviced or repaired by the user. No spare parts are available.



1400033677