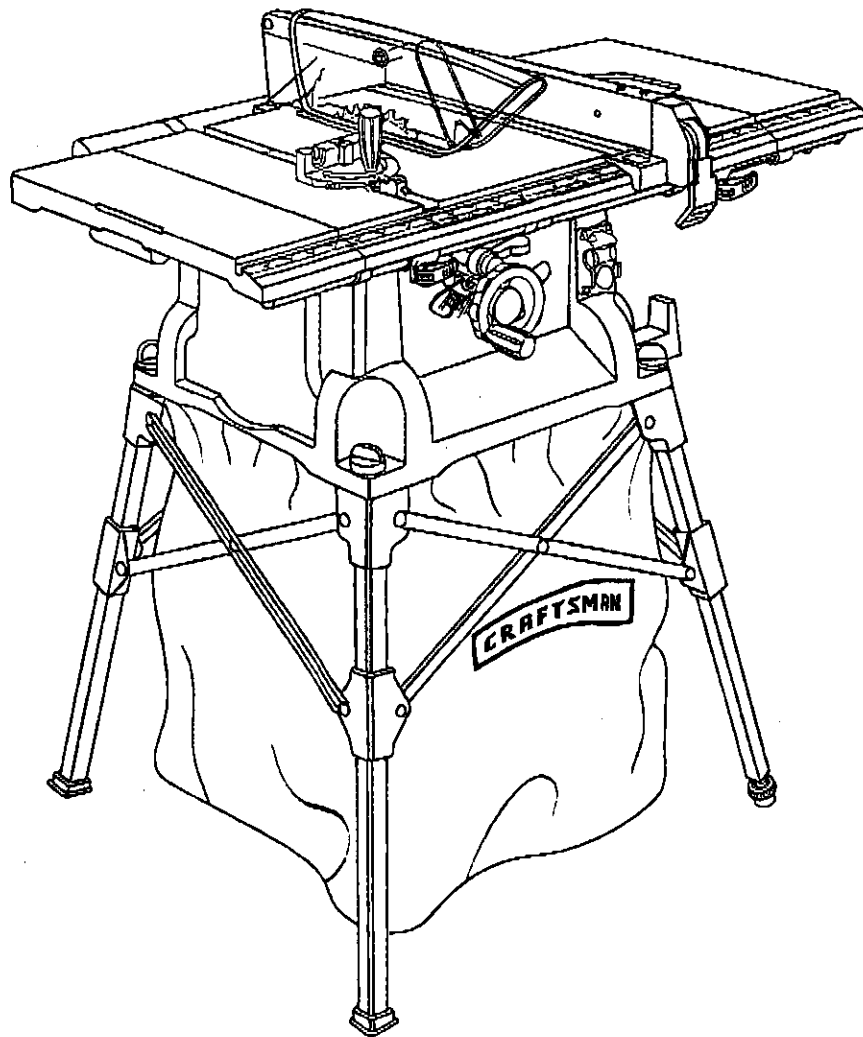


OPERATOR'S MANUAL

CRAFTSMAN®

10 in. TABLE SAW

Model No.
315.218050



⚠ WARNING: To reduce the risk of injury, the user must read and understand the operator's manual before using this product.

Customer Help Line: 1-800-932-3188

Sears, Roebuck and Co., 3333 Beverly Rd., Hoffman Estates, IL 60179 USA
Visit the Craftsman web page: www.sears.com/craftsman

983000-695
8-23-05

Save this manual for future reference



TABLE OF CONTENTS

■ Warranty	2
■ Introduction	2
■ General Safety Rules	3-4
■ Specific Safety Rules.....	4-5
■ Symbols.....	6-7
■ Electrical	8
■ Glossary of Terms.....	9
■ Features.....	10-13
■ Tools Needed	13
■ Loose Parts	14
■ Assembly	15-19
■ Operation.....	19-32
■ Adjustments	33-35
■ Maintenance.....	36
■ Troubleshooting.....	37-38
■ Exploded View.....	39-47
■ Parts Ordering/Service	Back Page

WARRANTY

ONE YEAR FULL WARRANTY ON CRAFTSMAN TOOL

If this Craftsman tool fails due to a defect in material or workmanship within one year from the date of purchase, Call **1-800-4-MY-HOME®** to arrange for free repair. If this tool is used for commercial or rental purposes, this warranty will apply for only ninety days from the date of purchase. This warranty applies only while this product is in the United States.

This warranty gives you specific legal rights, and you may also have other rights which vary from state to state.

Sears, Roebuck and Co., Dept. 817WA, Hoffman Estates, IL 60179

INTRODUCTION

This tool has many features for making its use more pleasant and enjoyable. Safety, performance, and dependability have been given top priority in the design of this product making it easy to maintain and operate.

GENERAL SAFETY RULES

⚠ WARNING: Read and understand all instructions. Failure to follow all instructions listed below, may result in electric shock, fire and/or serious personal injury.

READ ALL INSTRUCTIONS

- **KNOW YOUR POWER TOOL.** Read the operator's manual carefully. Learn the saw's applications and limitations as well as the specific potential hazards related to this tool.
- **GUARD AGAINST ELECTRICAL SHOCK BY PREVENTING BODY CONTACT WITH GROUNDED SURFACES.** For example, pipes, radiators, ranges, refrigerator enclosures.
- **KEEP GUARDS IN PLACE** and in good working order.
- **REMOVE ADJUSTING KEYS AND WRENCHES.** Form habit of checking to see that keys and adjusting wrenches are removed from tool before turning it on.
- **KEEP WORK AREA CLEAN.** Cluttered areas and benches invite accidents. **DO NOT** leave tools or pieces of wood on the saw while it is in operation.
- **DO NOT USE IN DANGEROUS ENVIRONMENTS.** Do not use power tools in damp or wet locations or expose to rain. Keep the work area well lit.
- **KEEP CHILDREN AND VISITORS AWAY.** All visitors should wear safety glasses and be kept a safe distance from work area. Do not let visitors contact tool or extension cord while operating.
- **MAKE WORKSHOP CHILDPROOF** with padlocks and master switches, or by removing starter keys.
- **DON'T FORCE TOOL.** It will do the job better and safer at the feed rate for which it was designed.
- **USE RIGHT TOOL.** Don't force the tool or attachment to do a job it was not designed for. Don't use it for a purpose not intended.
- **USE THE PROPER EXTENSION CORD.** Make sure your extension cord is in good condition. Use only a cord heavy enough to carry the current your product will draw. An undersized cord will cause a drop in line voltage resulting in loss of power and overheating. A wire gauge size (A.W.G.) of at least 14 is recommended for an extension cord 25 feet or less in length. If in doubt, use the next heavier gauge. The smaller the gauge number, the heavier the cord.
- **DRESS PROPERLY.** Do not wear loose clothing, gloves, neckties, or jewelry. They can get caught and draw you into moving parts. Rubber gloves and nonskid footwear are recommended when working outdoors. Also wear protective hair covering to contain long hair.
- **ALWAYS WEAR SAFETY GLASSES WITH SIDE SHIELDS.** Everyday eyeglasses have only impact-resistant lenses, they are **NOT** safety glasses.
- **SECURE WORK.** Use clamps or a vise to hold work when practical. It's safer than using your hand and frees both hands to operate tool.
- **DON'T OVERREACH.** Keep proper footing and balance at all times.
- **MAINTAIN TOOLS WITH CARE.** Keep tools sharp and clean for better and safer performance. Follow instructions for lubricating and changing accessories.
- **DISCONNECT TOOLS.** When not in use, before servicing, or when changing attachments, blades, bits, cutters, etc., all tools should be disconnected.
- **AVOID ACCIDENTAL STARTING.** Be sure switch is off when plugging in any tool.
- **USE RECOMMENDED ACCESSORIES.** Consult the operator's manual for recommended accessories. The use of improper accessories may risk injury.
- **NEVER STAND ON TOOL.** Serious injury could occur if the tool is tipped or if the cutting tool is unintentionally contacted.
- **CHECK DAMAGED PARTS.** Before further use of the tool, a guard or other part that is damaged should be carefully checked to determine that it will operate properly and perform its intended function. Check for alignment of moving parts, binding of moving parts, breakage of parts, mounting and any other conditions that may affect its operation. A guard or other part that is damaged must be properly repaired or replaced by an authorized service center to avoid risk of personal injury.
- **USE THE RIGHT DIRECTION OF FEED.** Feed work into a blade or cutter against the direction of rotation of blade or cutter only.
- **NEVER LEAVE TOOL RUNNING UNATTENDED.** **TURN THE POWER OFF.** Don't leave tool until it comes to a complete stop.
- **PROTECT YOUR LUNGS.** Wear a face or dust mask if the cutting operation is dusty.
- **PROTECT YOUR HEARING.** Wear hearing protection during extended periods of operation.
- **DO NOT ABUSE CORD.** Never yank cord to disconnect from receptacle. Keep cord from heat, oil, and sharp edges.
- **USE OUTDOOR EXTENSION CORDS.** When tool is used outdoors, use only extension cords with approved ground connection that are intended for use outdoors and so marked.
- **ALWAYS KEEP THE BLADE GUARD AND RIVING KNIFE/SPREADER/SPLITTER IN PLACE** and in working order.
- **KEEP BLADES CLEAN, SHARP, AND WITH SUFFICIENT SET.** Sharp blades minimize stalling and kickback.
- **KEEP HANDS AWAY FROM CUTTING AREA.** Keep hands away from blades. Do not reach underneath

GENERAL SAFETY RULES

work or around or over the blade while blade is rotating. Do not attempt to remove cut material when blade is moving.

- **BLADE COASTS AFTER BEING TURNED OFF.**
- **NEVER USE IN AN EXPLOSIVE ATMOSPHERE.** Normal sparking of the motor could ignite fumes.
- **INSPECT TOOL CORDS PERIODICALLY.** If damaged, have repaired by a qualified service technician at an authorized service facility. The conductor with insulation having an outer surface that is green with or without yellow stripes is the equipment-grounding conductor. If repair or replacement of the electric cord or plug is necessary, do not connect the equipment-grounding conductor to a live terminal. Repair or replace a damaged or worn cord immediately. Stay constantly aware of cord location and keep it well away from the rotating blade.
- **INSPECT EXTENSION CORDS PERIODICALLY** and replace if damaged.
- **GROUND ALL TOOLS.** If tool is equipped with three-prong plug, it should be plugged into a three-hole electrical receptacle.
- **CHECK WITH A QUALIFIED ELECTRICIAN** or service personnel if the grounding instructions are not completely understood or if in doubt as to whether the tool is properly grounded.
- **USE ONLY CORRECT ELECTRICAL DEVICES:** 3-wire extension cords that have 3-prong grounding plugs and 3-pole receptacles that accept the tool's plug.
- **DO NOT MODIFY** the plug provided. If it will not fit the outlet, have the proper outlet installed by a qualified electrician.
- **KEEP TOOL DRY, CLEAN, AND FREE FROM OIL AND GREASE.** Always use a clean cloth when clean-

ing. Never use brake fluids, gasoline, petroleum-based products, or any solvents to clean tool.

- **STAY ALERT AND EXERCISE CONTROL.** Watch what you are doing and use common sense. Do not operate tool when you are tired. Do not rush.
- **DO NOT USE TOOL IF SWITCH DOES NOT TURN IT ON AND OFF.** Have defective switches replaced by an authorized service center.
- **USE ONLY CORRECT BLADES.** Do not use blades with incorrect size holes. Never use blade washers or blade bolts that are defective or incorrect. The maximum blade capacity of your saw is 10 in. (254 mm).
- **BEFORE MAKING A CUT, BE SURE ALL ADJUSTMENTS ARE SECURE.**
- **BE SURE BLADE PATH IS FREE OF NAILS.** Inspect for and remove all nails from lumber before cutting.
- **NEVER TOUCH BLADE** or other moving parts during use.
- **NEVER START A TOOL WHEN ANY ROTATING COMPONENT IS IN CONTACT WITH THE WORKPIECE.**
- **DO NOT OPERATE A TOOL WHILE UNDER THE INFLUENCE OF DRUGS, ALCOHOL, OR ANY MEDICATION.**
- **WHEN SERVICING** use only identical replacement parts. Use of any other parts may create a hazard or cause product damage.
- **USE ONLY RECOMMENDED ACCESSORIES** listed in this manual or addendums. Use of accessories that are not listed may cause the risk of personal injury. Instructions for safe use of accessories are included with the accessory.
- **DOUBLE CHECK ALL SETUPS.** Make sure blade is tight and not making contact with saw or workpiece before connecting to power supply.

SPECIFIC SAFETY RULES

- **GUARD AGAINST KICKBACK.** Kickback occurs when the blade stalls rapidly and workpiece is driven back towards the operator. It can pull your hand into the blade resulting in serious personal injury. Stay out of blade path and turn switch off immediately if blade binds or stalls.
- **USE RIP FENCE.** Always use a fence or straight edge guide when ripping.
- **SUPPORT LARGE PANELS.** To minimize risk of blade pinching and kickback, always support large panels.
- **REMOVE ALL FENCES AND AUXILIARY TABLES** before transporting saw. Failure to do so can result in an accident causing possible serious personal injury.
- **ALWAYS USE BLADE GUARD, RIVING KNIFE/SPREADER/SPLITTER, AND ANTI-KICKBACK PAWLS** on all "through-sawing" operations. Through-

sawing operations are those in which the blade cuts completely through the workpiece as in ripping or cross cutting. Keep the blade guard down, the anti-kickback pawls down, and the riving knife/spreader/splitter properly aligned to the saw blade.

- **ALWAYS SECURE WORK** firmly against rip fence, miter fence, or miter gauge.
- **ALWAYS USE A PUSH STICK FOR RIPPING NARROW STOCK.** A push stick is a device used to push a workpiece through the blade instead of using your hands. Size and shape can vary but the push stick must always be narrower than the workpiece to prevent the push stick from contacting the saw blade. When ripping narrow stock, always use a push stick, so your hand does not come close to the saw blade. Use a featherboard and push blocks for non-through cuts.

SPECIFIC SAFETY RULES

- **NEVER** perform any operation “freehand” which means using only your hands to support or guide the workpiece. Always use either the rip fence or miter gauge to position and guide the work.
- **NEVER** stand or have any part of your body in line with the path of the saw blade.
- **NEVER** reach behind, over, or within three inches of the blade or cutter with either hand for any reason.
- **MOVE THE RIP FENCE** out of the way when cross cutting.
- **NEVER** use rip fence as cutoff gauge when cross cutting.
- **NEVER** attempt to free a stalled saw blade without first turning the saw **OFF** and disconnecting the saw from the power source.
- **PROVIDE ADEQUATE SUPPORT** to the rear and sides of the saw table for wide or long work pieces. Use a sturdy “outrigger” support if a table extension more than 24 inches long is attached to the saw.
- **AVOID KICKBACKS** (work thrown back toward you) by:
 - a) Keeping blade sharp.
 - b) Keeping rip fence parallel to the saw blade.
 - c) Keeping riving knife/spreader/splitter, anti-kickback pawls, and blade guard in place and operating.
 - d) Not releasing the work before it is pushed all the way past the saw blade using a push stick.
 - e) Not ripping work that is twisted or warped or does not have a straight edge to guide along the fence.
- **AVOID AWKWARD OPERATIONS AND HAND POSITIONS** where a sudden slip could cause your hand to move into the cutting tool.
- **USE ONLY RECOMMENDED ACCESSORIES** listed in this manual or addendums. Use of accessories that are not listed may cause the risk of personal injury. Instructions for safe use of accessories are included with the accessory.
- **MAKE SURE THE WORK AREA HAS AMPLE LIGHTING** to see the work and that no obstructions will interfere with safe operation **BEFORE** performing any work using the table saw.
- **ALWAYS TURN OFF SAW** before disconnecting it, to avoid accidental starting when reconnecting to power supply.
- **ALWAYS DISCONNECT SAW FROM POWER SUPPLY BEFORE MAKING ADJUSTMENTS OR ADDING ACCESSORIES.** Make sure the switch is off when reconnecting to power supply.
- **ALWAYS FEED WORKPIECE AGAINST THE ROTATION OF THE CUTTER.**
- **DO NOT USE AWKWARD HAND POSITIONS.**
- **KEEP FINGERS AWAY** from the revolving cutter, and use fixtures when necessary.
- **ALWAYS USE THE DUST COVER** for overhead guarding.
- **DO NOT REMOVE JAMMED CUTOFF PIECES** until cutter or blade has stopped and tool has been disconnected from power source.
- **HOLD THE WORKPIECE FIRMLY AGAINST THE TABLE.**
- **THIS TOOL** should have the following markings:
 - a) Wear eye protection.
 - b) Use saw blade guard and riving knife/spreader/splitter for every operation for which it can be used, including all through sawing.
 - c) Keep hands out of the line of saw blade.
 - d) Use a push stick when required.
 - e) Pay particular attention to instructions on reducing risk of kickback.
 - f) Do not perform any operation freehand.
 - g) Never reach around or over the saw blade.
- **SAVE THESE INSTRUCTIONS.** Refer to them frequently and use to instruct other users. If you loan someone this tool, loan them these instructions also.











WARNING: Some dust created by power sanding, sawing, grinding, drilling, and other construction activities contains chemicals known to cause cancer, birth defects or other reproductive harm. Some examples of these chemicals are:

- lead from lead-based paints,
- crystalline silica from bricks and cement and other masonry products, and
- arsenic and chromium from chemically-treated lumber.

Your risk from these exposures varies, depending on how often you do this type of work. To reduce your exposure to these chemicals: work in a well ventilated area, and work with approved safety equipment, such as those dust masks that are specially designed to filter out microscopic particles.




SYMBOLS

Some of the following symbols may be used on this tool. Please study them and learn their meaning. Proper interpretation of these symbols will allow you to operate the tool better and safer.

SYMBOL	NAME	DESIGNATION/EXPLANATION
V	Volts	Voltage
A	Amperes	Current
Hz	Hertz	Frequency (cycles per second)
W	Watt	Power
min	Minutes	Time
~	Alternating Current	Type of current
=	Direct Current	Type or a characteristic of current
n_0	No Load Speed	Rotational speed, at no load
	Class II Construction	Double-insulated construction
.../min	Per Minute	Revolutions, strokes, surface speed, orbits etc., per minute
	Wet Conditions Alert	Do not expose to rain or use in damp locations.
	Read The Operator's Manual	To reduce the risk of injury, user must read and understand operator's manual before using this product.
	Eye Protection	Always wear safety goggles or safety glasses with side shields and a full face shield when operating this product.
	Safety Alert	Precautions that involve your safety.
	No Hands Symbol	Failure to keep your hands away from the blade will result in serious personal injury.
	Pinch Warning	Always watch for movement paying extra attention to potential areas where pinching could occur.
	Hot Surface	To reduce the risk of injury or damage, avoid contact with any hot surface.


SYMBOLS

The following signal words and meanings are intended to explain the levels of risk associated with this product.

SYMBOL	SIGNAL	MEANING
	DANGER:	Indicates an imminently hazardous situation, which, if not avoided, will result in death or serious injury.
	WARNING:	Indicates a potentially hazardous situation, which, if not avoided, could result in death or serious injury.
	CAUTION:	Indicates a potentially hazardous situation, which, if not avoided, may result in minor or moderate injury.
	CAUTION:	(Without Safety Alert Symbol) Indicates a situation that may result in property damage.

SERVICE

Servicing requires extreme care and knowledge and should be performed only by a qualified service technician. For service we suggest you return the product to your nearest **AUTHORIZED SERVICE CENTER** for repair. When servicing, use only identical replacement parts.

 **WARNING:** To avoid serious personal injury, do not attempt to use this product until you read thoroughly and understand completely the operator's manual. Save this operator's manual and review frequently for continuing safe operation and instructing others who may use this product.

WARNING:



The operation of any power tool can result in foreign objects being thrown into your eyes, which can result in severe eye damage. Before beginning power tool operation, always wear safety goggles or safety glasses with side shields and a full face shield when needed. We recommend Wide Vision Safety Mask for use over eyeglasses or standard safety glasses with side shields. Always use eye protection which is marked to comply with ANSI Z87.1.

SAVE THESE INSTRUCTIONS

ELECTRICAL

EXTENSION CORDS

Use only 3-wire extension cords that have 3-prong grounding plugs and 3-pole receptacles that accept the tool's plug. When using a power tool at a considerable distance from the power source, use an extension cord heavy enough to carry the current that the tool will draw. An undersized extension cord will cause a drop in line voltage, resulting in a loss of power and causing the motor to overheat. Use the chart provided below to determine the minimum wire size required in an extension cord. Only round jacketed cords listed by Underwriter's Laboratories (UL) should be used.

**Ampere rating (on tool data plate)

Cord Length	Wire Size (A.W.G.)					
	0-2.0	2.1-3.4	3.5-5.0	5.1-7.0	7.1-12.0	12.1-16.0
25'	16	16	16	16	14	14
50'	16	16	16	14	14	12
100'	16	16	14	12	10	—

*Used on 12 gauge - 20 amp circuit.

NOTE: AWG = American Wire Gauge

When working with the tool outdoors, use an extension cord that is designed for outside use. This is indicated by the letters "WA" on the cord's jacket.

Before using an extension cord, inspect it for loose or exposed wires and cut or worn insulation.

⚠ WARNING: Keep the extension cord clear of the working area. Position the cord so that it will not get caught on lumber, tools or other obstructions while you are working with a power tool. Failure to do so can result in serious personal injury.

⚠ WARNING: Check extension cords before each use. If damaged replace immediately. Never use tool with a damaged cord since touching the damaged area could cause electrical shock resulting in serious injury.

ELECTRICAL CONNECTION

This tool is powered by a precision built electric motor. It should be connected to a **power supply that is 120 volts, 60 Hz, AC only (normal household current)**. Do not operate this tool on direct current (DC). A substantial voltage drop will cause a loss of power and the motor will overheat. If the saw does not operate when plugged into an outlet, double check the power supply.

SPEED AND WIRING

The no-load speed of this tool is approximately 5,000 rpm. This speed is not constant and decreases under a load or with lower voltage. For voltage, the wiring in a shop is as important as the motor's horsepower rating. A line intended only for lights cannot properly carry a power tool motor. Wire that is heavy enough for a short distance will be too light for a greater distance. A line that can support one power tool may not be able to support two or three tools.

GROUNDING INSTRUCTIONS

In the event of a malfunction or breakdown, grounding provides a path of least resistance for electric current to reduce the risk of electric shock. This tool is equipped with an electric cord having an equipment-grounding conductor and a grounding plug. The plug must be plugged into a matching outlet that is properly installed and grounded in accordance with all local codes and ordinances.

Do not modify the plug provided. If it will not fit the outlet, have the proper outlet installed by a qualified electrician. Improper connection of the equipment-grounding conductor can result in a risk of electric shock. The conductor with insulation having an outer surface that is green with or without yellow stripes is the equipment-grounding conductor. If repair or replacement of the electric cord or plug is necessary, do not connect the equipment-grounding conductor to a live terminal.

Check with a qualified electrician or service personnel if the grounding instructions are not completely understood, or if in doubt as to whether the tool is properly grounded. Repair or replace a damaged or worn cord immediately.

This tool is intended for use on a circuit that has an outlet like the one shown in figure 1. It also has a grounding pin like the one shown.

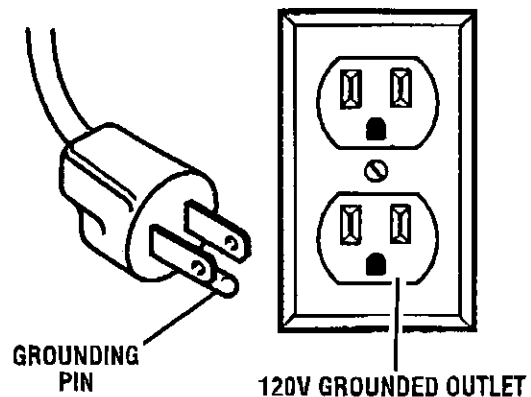


Fig. 1

GLOSSARY OF TERMS

Anti-Kickback Pawls (radial arm and table saws)

A device which, when properly installed and maintained, is designed to stop the workpiece from being kicked back toward the front of the saw during a ripping operation.

Arbor

The shaft on which a blade or cutting tool is mounted.

Bevel Cut

A cutting operation made with the blade at any angle other than 90° to the table surface.

Chamfer

A cut removing a wedge from a block so the end (or part of the end) is angled rather than at 90°.

Compound Cut

A cross cut made with both a miter and a bevel angle.

Cross Cut

A cutting or shaping operation made across the grain or the width of the workpiece.

Cutter Head (planers and jointers)

A rotating piece of adjustable blades. The cutter head removes material from the workpiece.

Dado Cut

A non-through cut which produces a square-sided notch or trough in the workpiece (requires a special blade).

Featherboard

A device used to help control the workpiece by guiding it securely against the table or fence during any ripping operation.

FPM or SPM

Feet per minute (or strokes per minute), used in reference to blade movement.

Freehand

Performing a cut without the workpiece being guided by a fence, miter gauge, or other aids.

Gum

A sticky, sap-based residue from wood products.

Heel

Alignment of the blade to the fence.

Kerf

The material removed by the blade in a through cut or the slot produced by the blade in a non-through or partial cut.

Kickback

A hazard that can occur when the blade binds or stalls, throwing the workpiece back toward operator.

Leading End

The end of the workpiece pushed into the tool first.

Miter Cut

A cutting operation made with the workpiece at any angle to the blade other than 90°.

Non-Through Cuts

Any cutting operation where the blade does not extend completely through the thickness of the workpiece.

Pilot Hole (drill presses)

A small hole drilled in a workpiece that serves as a guide for drilling large holes accurately.

Push Blocks and Push Sticks

Devices used to feed the workpiece through the saw blade during cutting operations. A push stick (not a push block) should be used for narrow ripping operations. These aids help keep the operator's hands well away from the blade.

Resaw

A cutting operation to reduce the thickness of the workpiece to make thinner pieces.

Resin

A sticky, sap-based substance that has hardened.

Revolutions Per Minute (RPM)

The number of turns completed by a spinning object in one minute.

Ripping or Rip Cut

A cutting operation along the length of the workpiece.

Riving Knife/Spreader/Splitter (table saws)

A metal piece, slightly thinner than the blade, which helps keep the kerf open and also helps to prevent kickback.

Saw Blade Path

The area over, under, behind, or in front of the blade. As it applies to the workpiece, that area which will be or has been cut by the blade.

Set

The distance that the tip of the saw blade tooth is bent (or set) outward from the face of the blade.

Snipe (planers)

Depression made at either end of a workpiece by cutter blades when the workpiece is not properly supported.

Through Sawing

Any cutting operation where the blade extends completely through the thickness of the workpiece.

Throw-Back

The throwing back of a workpiece usually caused by the workpiece being dropped into the blade or being placed inadvertently in contact with the blade.

Workpiece or Material

The item on which the operation is being done.

Worktable

Surface where the workpiece rests while performing a cutting, drilling, planing, or sanding operation.

FEATURES

PRODUCT SPECIFICATIONS

Blade Arbor	5/8 in.
Blade Diameter.....	10 in.
Blade Tilt	0° - 45°
Net Weight Without Leg Stand.....	43 lbs.
Net Weight With Leg Stand.....	53 lbs.

Rating	120 V, 60 Hz, AC only
Input	15 Amperes
No Load Speed	5,000/min.
Cutting Depth at 0°:	3 in.
Cutting Depth at 45°:	2-1/2 in.

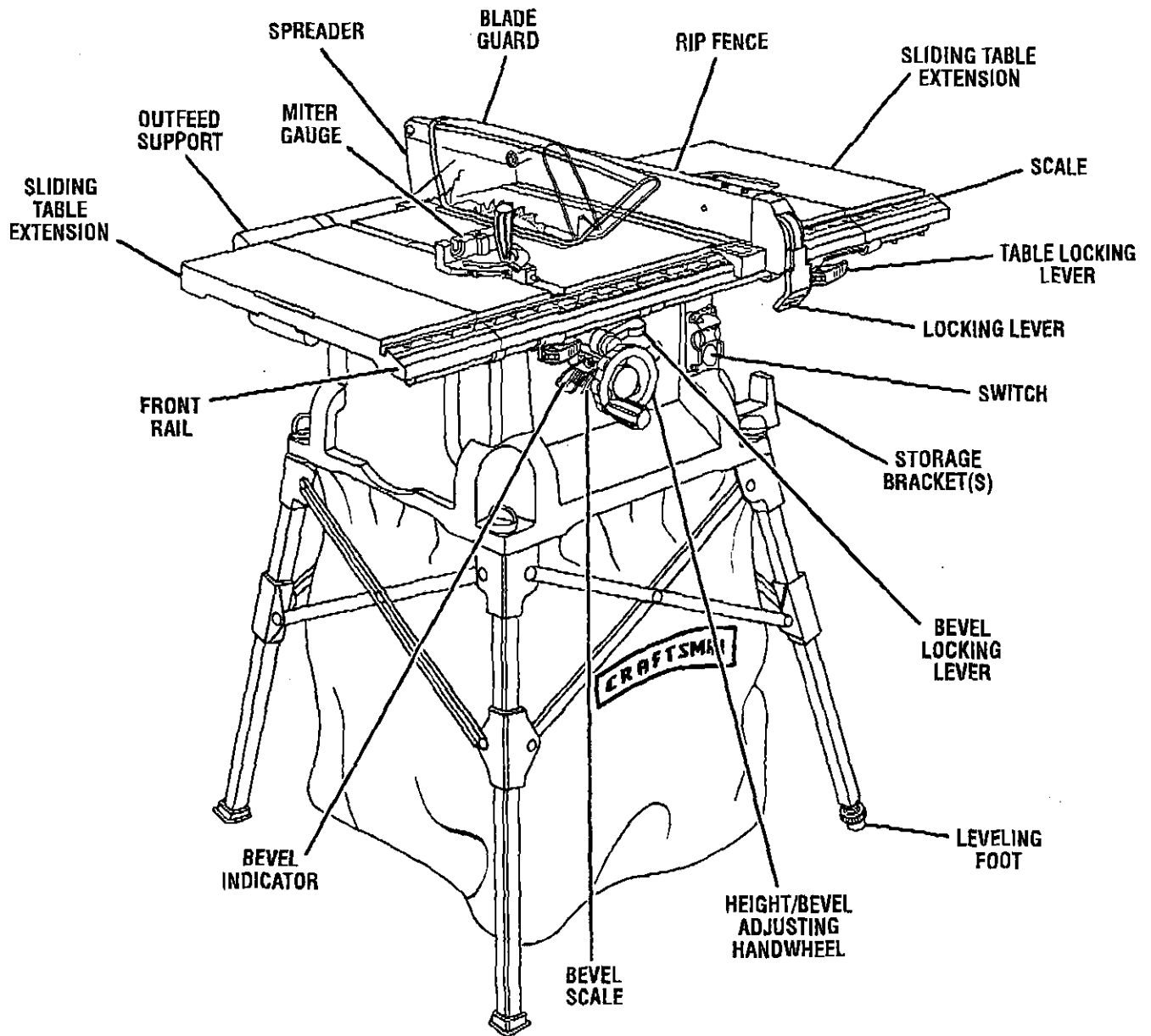


Fig. 2



FEATURES

KNOW YOUR TABLE SAW


See Figure 2.

Before attempting to use this product, familiarize yourself with all operating features and safety rules.

ANTI-KICKBACK PAWLS - Kickback is a hazard in which the workpiece is thrown back toward the operator. The teeth on the anti-kickback pawls point away from the workpiece. If the workpiece should be pulled back toward the operator, the teeth dig into the wood to help prevent or reduce the possibility of kickback.

BEVEL SCALE - The easy-to-read scale on the front of the cabinet shows the exact blade angle.

BLADE - This saw is provided with a 36-tooth, 10 in. carbide blade. The blade is raised and lowered with the height/bevel adjusting handwheel. Bevel angles are locked with the bevel locking lever.

 **WARNING:** Do not use blades rated less than the speed of this tool. Failure to heed this warning could result in personal injury.

BLADE GUARD - Always keep the blade guard down over the saw blade for through-sawing cuts.

BEVEL LOCKING LEVER - This lever, placed just under the saw table surface on the front of the cabinet, locks the angle setting of the blade.

HEIGHT/BEVEL ADJUSTING HANDWHEEL - Located on the front of the cabinet, use this handwheel to lower and raise the blade for height adjustments or blade replacement. This handwheel also makes the adjustment for bevel angles easy.

MITER GAUGE - The miter gauge aligns the wood for a cross cut. The easy-to-read indicator shows the exact angle for a miter cut, with positive stops at 90° and 45°.

MITER GAUGE GROOVES - The miter gauge rides in the grooves on the saw table.

MOTOR - The powerful induction motor, with capacitor start and V-belt drive, is housed in a sturdy steel base.

OUTFEED SUPPORT - This table extension at the back of the tool gives the operator additional support when cutting long workpieces.

RIP FENCE - A sturdy metal fence guides the workpiece and is secured with the locking handle. Grooves run along the top and sides of the rip fence for use with optional clamps and accessories.

SCALE - Located on the front rail, the easy-to-read scale provides precise measurements for rip cuts.

SLIDING TABLE EXTENSIONS - Located on each side of the saw table, these table extension gives the operator additional support when cutting wide workpieces.

SPREADER - A metal piece of the blade guard assembly, slightly thinner than the saw blade, which helps keep the kerf open and prevent kickback.

SWITCH ASSEMBLY - This saw has an easy access power switch located below the front rail. To lock the switch in the **OFF** position, remove the switch key from the switch. Place the key in a location that is inaccessible to children and others not qualified to use the tool.

FEATURES

OPERATING COMPONENTS

The upper portion of the blade projects up through the table and is surrounded by an insert called the throat plate. The height of the blade is set with a handwheel on the front of the cabinet. To accommodate wide panels, the saw table has rails on each side. Detailed instructions are provided in the *Operation* section of this manual for the basic cuts: cross cuts, miter cuts, bevel cuts, and compound cuts.

The rip fence is used to position work for lengthwise cuts. A scale on the front rail shows the distance between the rip fence and the blade.

It is very important to use the blade guard assembly for all through-sawing operations. The blade guard assembly includes: riving knife/spreader/splitter, anti-kickback pawls, and plastic blade guard.

POWER SWITCH

This saw is equipped with a power switch that has a built-in locking feature. This feature is intended to prevent unauthorized and possible hazardous use by children and others.

TO TURN YOUR SAW ON:

- With the switch key inserted into the switch, lift the switch button to turn **ON (I)**.

TO TURN YOUR SAW OFF:

- Press the switch button down to turn **OFF (O)**.

TO LOCK YOUR SAW:

- Press the switch button down.
- Remove the switch key from the switch and store in a safe, secure location.

⚠ WARNING: Always remove the switch key when the tool is not in use and keep it in a safe place. In the event of a power failure, turn the switch **OFF (O)** and remove the key. This action will prevent the tool from accidentally starting when power returns.

⚠ WARNING: ALWAYS make sure your workpiece is not in contact with the blade before operating the switch to start the tool. Failure to heed this warning may cause the workpiece to be kicked back toward the operator and result in serious personal injury.

⚠ WARNING: To reduce the risk of accidental starting, Always make sure the switch is in the **OFF (O)** position before plugging tool into the power source.

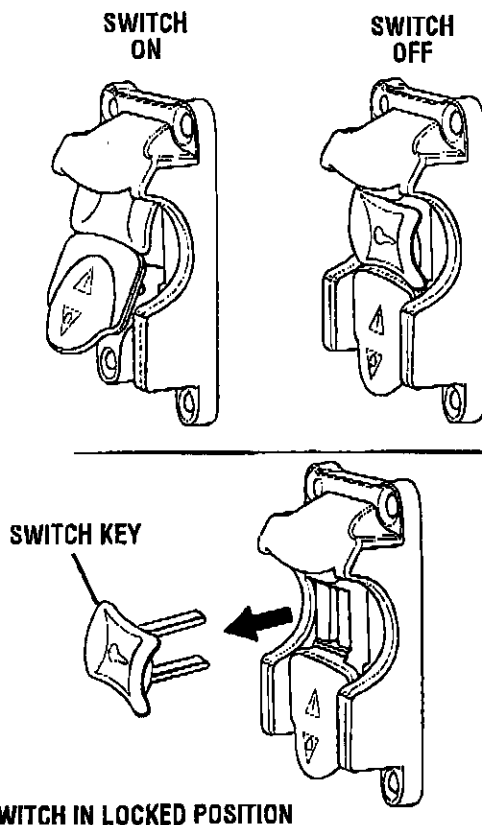


Fig. 3

FEATURES

BLADES

For maximum performance, it is recommended that you use the Craftsman 36-tooth, 10 in. carbide combination blade provided with your saw. Additional blade styles of the same high quality are available for specific operations such as ripping. Your local dealer can provide you with complete information.

⚠ WARNING: Do not use blades rated less than the speed of this tool. Failure to heed this warning could result in personal injury.

TOOLS NEEDED

The following tools (not included) are needed for making adjustments:

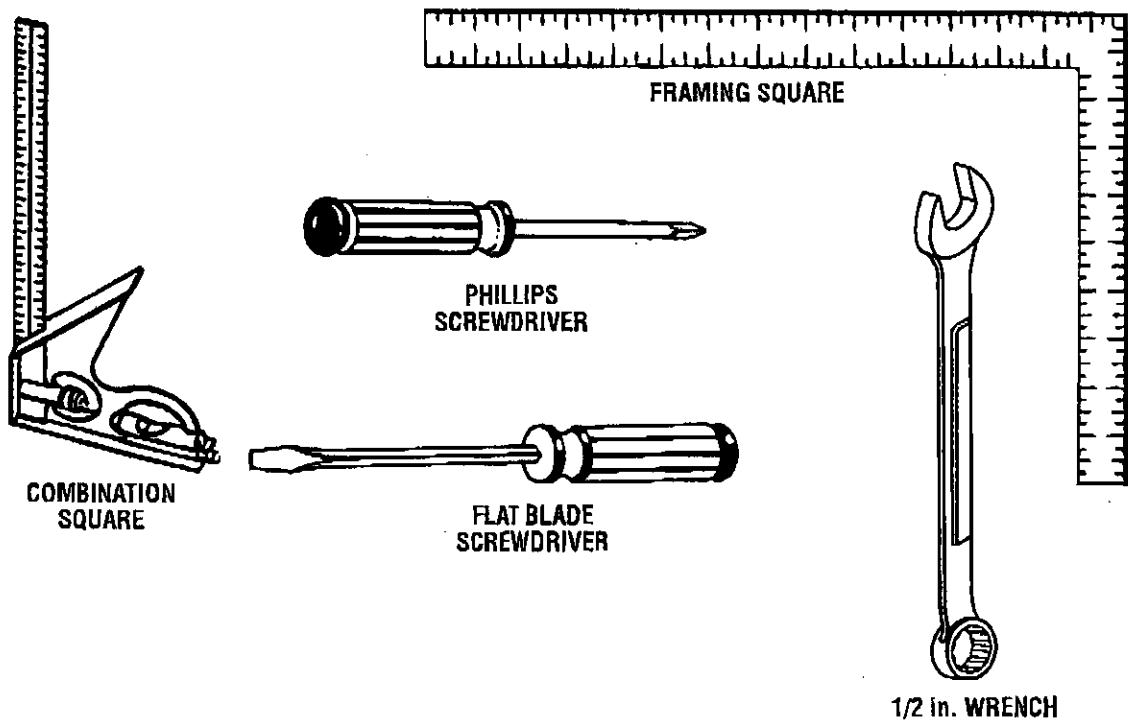


Fig. 4

LOOSE PARTS

The following items are included with your table saw:

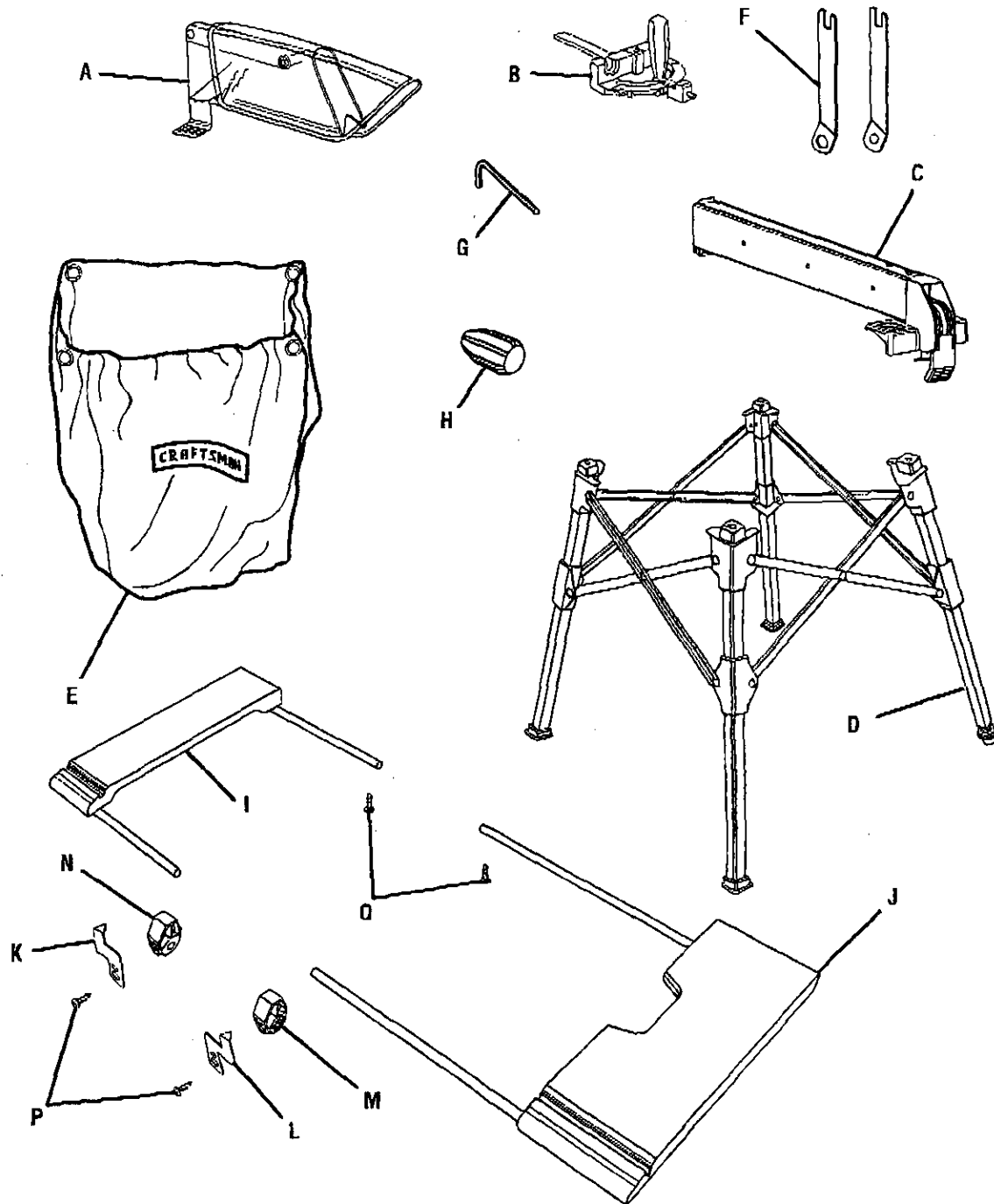


Fig. 1

A. Blade Guard with Spreader and Anti-Kickback Pawls	1	I. Extension Table (left)	1
B. Miter Gauge.....	1	J. Extension Table (right)	1
C. Rip Fence	1	K. Indicator (left)	1
D. Spider Leg Stand	1	L. Indicator (right)	1
E. Dust Bag	1	M. Eng Plug (right).....	1
F. Blade Wrench.....	2	N. End Plug (left).....	1
G. Hex Key.....	1	O. Screw (M4 x 10 mm)	2
H. Bevel Handle Assembly	1	P. Screw (M4 x 25 mm).....	2

ASSEMBLY

UNPACKING

This product requires assembly.

- Carefully lift saw from the carton and place saw on the side with the wheels.

NOTE: This tool is heavy. To avoid back injury, keep your knees bent and lift with your legs, not your back, and get help when needed.

- Inspect the tool carefully to make sure no breakage or damage occurred during shipping.
- Do not discard the packing material until you have carefully inspected and satisfactorily operated the tool.
- The saw is factory set for accurate cutting. After assembling it, check for accuracy. If shipping has influenced the settings, refer to specific procedures explained in this manual.
- If any parts are damaged or missing, please call 1-800-932-3188 for assistance.

WARNING: If any parts are missing, do not operate this tool until the missing parts are replaced. Failure to do so could result in possible serious personal injury.

WARNING: Do not attempt to modify this tool or create accessories not recommended for use with this tool. Any such alteration or modification is misuse and could result in a hazardous condition leading to possible serious personal injury.

WARNING: Do not connect to power supply until assembly is complete. Failure to comply could result in accidental starting and possible serious personal injury.

WARNING: Do not lift the saw without help. Hold it close to your body. Keep your knees bent and lift with your legs, not your back. Ignoring these precautions can result in back injury.

WARNING: Never stand directly in line with the blade or allow hands to come closer than 3 in. to the blade. Do not reach over or across the blade. Failure to heed this warning can result in serious personal injury.

WARNING: To avoid serious personal injury, always make sure the table saw is securely mounted to a workbench or an approved leg stand. NEVER operate the saw on the floor.

TO ASSEMBLE THE SPIDER LEG STAND

See Figures 7 - 8.

- Remove the spider leg stand from leg stand storage in the back of the saw by separating the hook and loop straps.
- Place the leg stand on the floor then open the leg stand by pushing opposite legs in opposite directions as indicated by the arrows in figure 7.

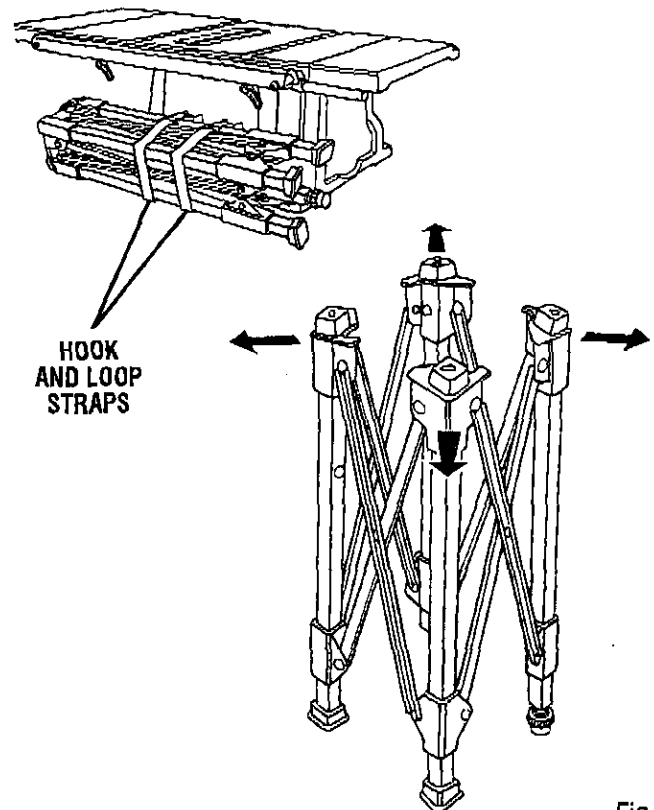


Fig. 7

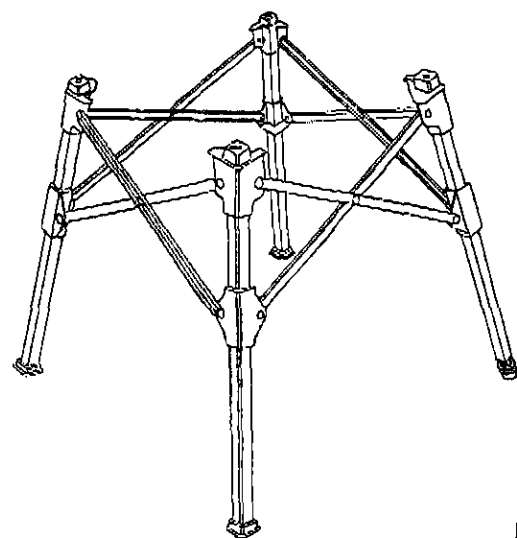


Fig. 8

ASSEMBLY

MOUNTING THE TABLE SAW BASE TO THE SPIDER LEG STAND

See Figure 9.

- Place the table saw base on the spider leg stand. Align the slots in the saw base with the slots in the top of the leg stand.
- Insert the tab on the locking knob into the slot and turn the locking knob clockwise to secure the table saw base to the leg stand.
- Repeat with the other three locking knobs.

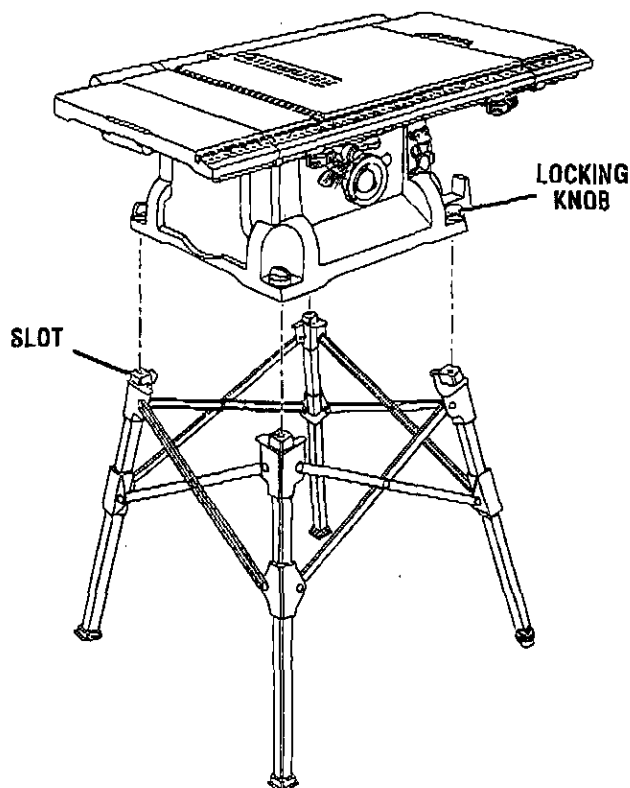


Fig. 9

MOUNTING HOLES

The table saw must be mounted to a firm supporting surface such as a workbench or leg stand. If bolted to a workbench, remove the four locking knobs. Four bolt holes have been provided in the saw's base for this purpose. Each of the four mounting holes should be bolted securely using 3/8 in. machine bolts, lock washers, and hex nuts (not included). Bolts should be of sufficient length to accommodate the saw base, lock washers, hex nuts, and the thickness of the workbench. Tighten all four bolts securely.

Carefully check the workbench after mounting to make sure that no movement can occur during use. If any tipping, sliding, or walking is noted, secure the workbench to the floor before operating.

TO INSTALL BEVEL HANDLE ASSEMBLY

See Figure 10.

- Lift the end cap off the bevel handle assembly using a flat blade screwdriver.
- Hold the nylon nut securely and turn the screw counterclockwise to remove the nut completely.
NOTE: Do not remove the screw from the handle or the washer from the end of the screw.
- Place the nylon nut into the recessed hole on the back of the height/bevel adjusting handwheel and hold in place.
- Slide the handle, screw, and washer into the hole on the height/bevel adjusting handwheel.
- Using a flathead screwdriver, turn the screw clockwise and tighten in place.
- Push the end cap back in place on the end of the handle.

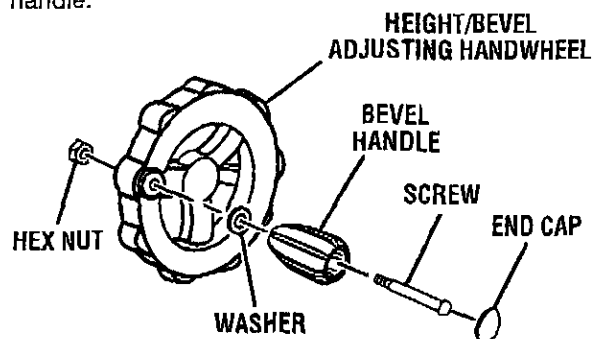


Fig. 10

TO REMOVE/REPLACE THE THROAT PLATE

See Figure 11.

- Lower the blade by turning the height/bevel adjusting handwheel counterclockwise.
- Loosen the screws in the throat plate.
- Lift the throat plate from the saw.
- To reinstall the throat plate, align the holes in the throat plate with the holes in the saw table.
- Retighten the screws, being careful not to overtighten, which can cause the throat plate to bow or bend.

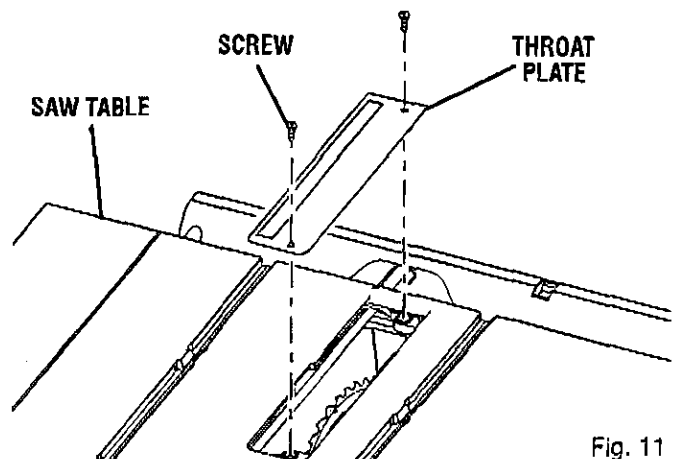


Fig. 11

ASSEMBLY

TO INSTALL DUST BAG

See Figure 12.

This dust bag hangs under the saw base. Hang the bag by hooking the bag onto the hangers on the inside of the spider leg stand.

NOTE: For efficient operation, empty the dust bag before it is half full. This will permit better air flow through the bag.

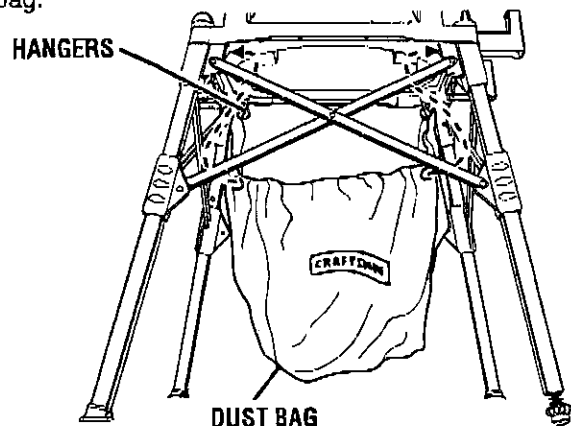


Fig. 12

TO CHECK SAW BLADE INSTALLATION

See Figure 13.

CAUTION: To work properly, the saw blade teeth must point down toward the front of the saw. Failure to do so could cause damage to the saw blade, the saw, or the workpiece.

- Lower the saw blade and remove the throat plate.
- Make sure the bevel locking lever is securely pushed to the left. Raise the saw blade to its full height by turning the height/bevel adjusting handwheel clockwise.

To loosen the blade:

- Using the smaller blade wrench, place the flat open end on the flats on the arbor shaft.
- Insert the closed end of the larger blade wrench over the hex nut. Holding both wrenches firmly, pull the larger wrench forward to the front of the machine.

To tighten the blade:

- Using the smaller blade wrench, place the flat open end into the flats on the arbor shaft.
- Insert the closed end of the larger blade wrench over the hex nut. Holding both wrenches firmly, push the larger wrench to the back of the machine. Make sure the blade nut is securely tightened. Do not overtighten.

NOTE: Arbor shaft has right hand threads.

- Reinstall the throat plate.

Check all clearances for free blade rotation. In cutting operations, the scale will be set to the side of the blade where the cut will be measured and made.

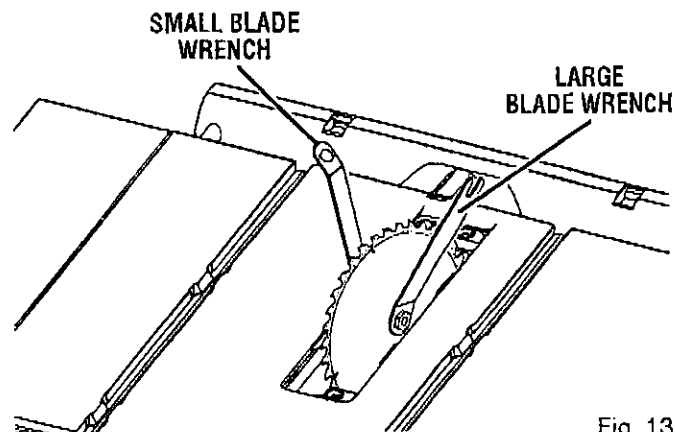


Fig. 13

TO INSTALL BLADE GUARD ASSEMBLY

See Figures 14 - 15.

Proper installation of the blade guard assembly means that the saw blade and spreader are in alignment. **ALWAYS** align the spreader to the saw blade prior to turning on the table saw.

- Lower the blade.
- Remove the wing screw and washer from beneath the mounting bracket in the back of the saw.
- Align the slots in the blade guard assembly base with the wing screw hole underneath the mounting bracket.
- Secure the blade guard assembly in place using the washer and wing screw. Tighten securely.

NOTE: Blade alignment with the spreader can be adjusted for different blade widths. Refer to: **To Check, and Align the Spreader, Saw Blade, and Blade Guard Assembly.** Check the blade guard assembly for clearances and free movement.

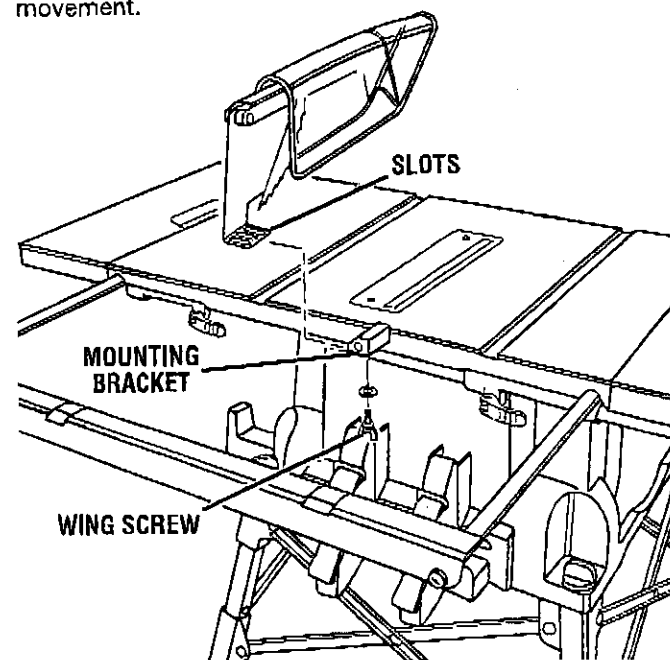


Fig. 14

ASSEMBLY

TO ASSEMBLE THE SLIDING EXTENSION TABLES

See Figures 15 - 16.

The rear extension rods are longer than the front extension rods and must be inserted into the plastic brackets under the saw table first.

- Locate the left sliding extension table and slide the extension rods into the plastic brackets under the saw table.
- Push the extension table until it rests against the saw table and is completely closed.
- Position the end plug (L) over the extension rod (the side with the screw hole and detent facing out) and slide into place.
- Locate the left indicator.

NOTE: the indicators are clearly marked with an "R" (right) or an "L" (left).
- Thread the indicator (L) into the slot in the front rail. Fit the top slot in the indicator over the detent and the bottom slot over the screw hole.
- Insert a screw into the bottom slot of the indicator, the hole in the end plug and the extension rod. Fingertighten.
- Insert the limit screw in the rear extension rod and tighten.
- Open the extension table completely. When the table is extended fully, the indicator should stop at 13 in.
- Adjust the indicator (left or right) so it points to the 13 in. mark on the scale. Tighten the screw.

Repeat the above steps for the right sliding extension table with the indicator (R) set at 19 in. on the right side.

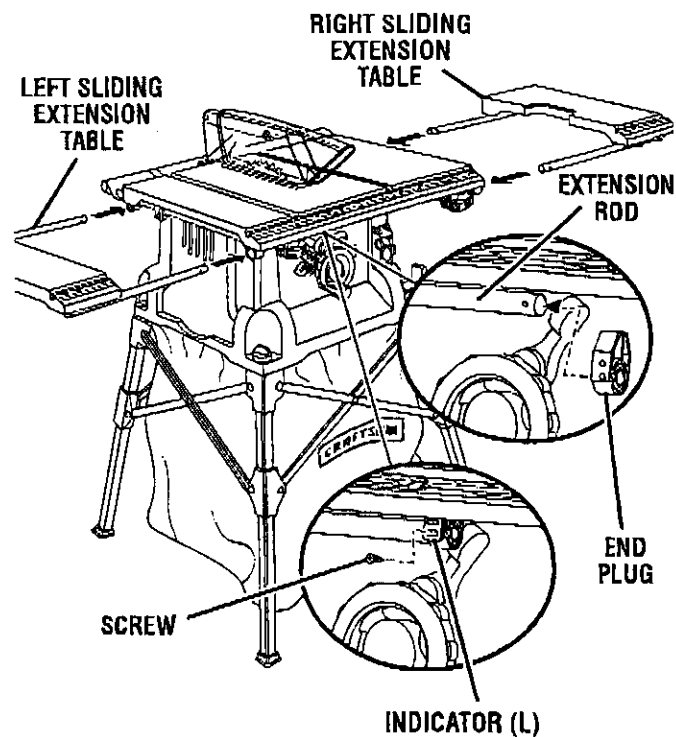


Fig. 15

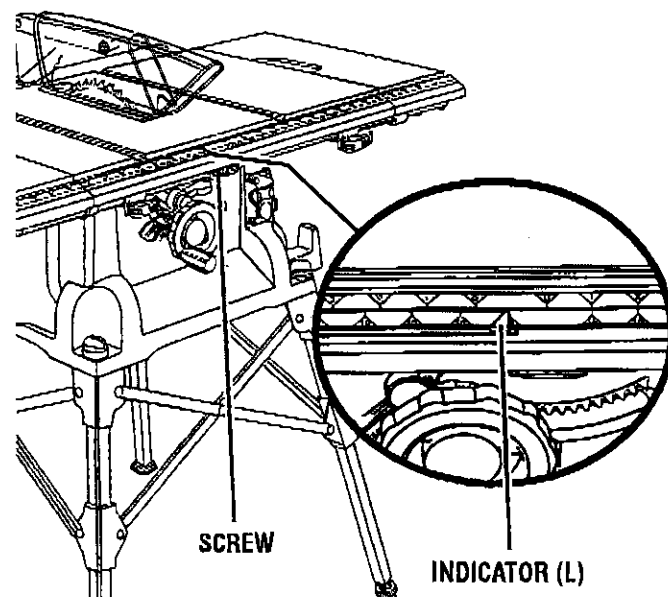


Fig. 16

ASSEMBLY

TO CHECK AND ALIGN THE SPREADER, SAW BLADE, AND BLADE GUARD ASSEMBLY

See Figure 17.

If the blade guard assembly is out of alignment with the saw blade, adjust the alignment of the blade guard assembly. The spreader must be aligned with the saw blade.

To check alignment of the spreader:

- Unplug the saw.
- Raise the saw blade by turning the height/bevel adjusting handwheel counterclockwise.
- Lift the anti-kickback pawls and place a framing square or straight edge against both the saw blade and the spreader.
- The saw blade and spreader are aligned when the framing square contacts both the blade and spreader evenly with no gaps.

If the spreader and saw blade are not in alignment, adjustment is needed. To adjust:

- Unplug the saw then raise the blade guard assembly.
- Loosen the wing nut holding the blade guard assembly to the mounting bracket.
- Reposition the blade guard assembly left or right as needed to align the spreader with the saw blade.
- Once properly aligned, securely retighten the wing nut.

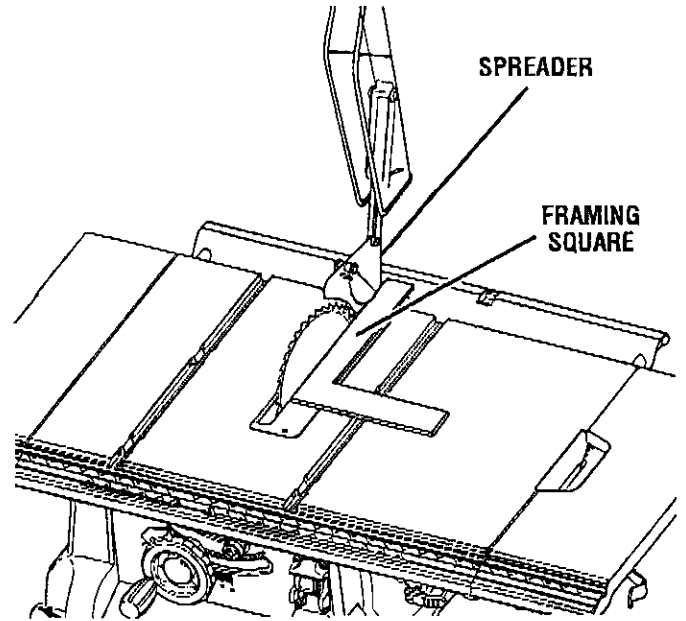


Fig. 17

OPERATION

⚠ WARNING: Do not allow familiarity with tools to make you careless. Remember that a careless fraction of a second is sufficient to inflict severe injury.

⚠ WARNING: Always wear safety goggles or safety glasses with side shields when operating tools. Failure to do so could result in objects being thrown into your eyes in possible serious injury.

⚠ WARNING: Do not use any attachments or accessories not recommended by the manufacturer of this tool. The use of attachments or accessories not recommended can result in serious personal injury.

⚠ WARNING: Although many of the illustrations in this manual are shown with the blade guard removed for clarity, do not operate the saw without the blade guard unless specifically instructed to do so.

OPERATION

APPLICATIONS

You may use this tool for the purposes listed below:

- Straight line cutting operations such as cross cutting, ripping, mitering, beveling, and compound cutting
- Dado or molding cuts with optional accessories
- Cabinet making and woodworking

NOTE: This table saw is designed to cut wood and wood composition products only.

BASIC OPERATION OF THE TABLE SAW

The 3-prong plug must be plugged into a matching outlet that is properly installed and grounded according to all local codes and ordinances. Improper connection of the equipment can result in electric shock. Do not modify the plug if it will not fit the outlet. Have the correct outlet installed by a qualified electrician. Refer to the *Electrical* section in this manual.

CAUSES OF KICKBACK

Kickback can occur when the blade stalls or binds, kicking the workpiece back toward you with great force and speed. If your hands are near the saw blade, they may be jerked loose from the workpiece and may contact the blade. Kickback can cause serious injury. Use precautions to avoid the risks.

Kickback can be caused by any action that pinches the blade in the wood such as:

- Making a cut with incorrect blade depth
- Sawing into knots or nails in the workpiece
- Twisting the wood while making a cut
- Failing to support work
- Forcing a cut
- Cutting warped or wet lumber
- Using the wrong blade for the type of cut
- Not following correct operating procedures
- Misusing the saw
- Failing to use the anti-kickback pawls
- Cutting with a dull, gummed-up, or improperly set blade

AVOIDING KICKBACK

- Always use the correct blade depth setting. The top of the blade teeth should clear the workpiece by 1/8 in. to 1/4 in.
- Inspect the work for knots or nails before beginning a cut. Knock out any loose knots with a hammer. Never saw into a loose knot or nail.
- Always use the rip fence when rip cutting and the miter gauge when cross cutting. This helps prevent twisting the wood in the cut.

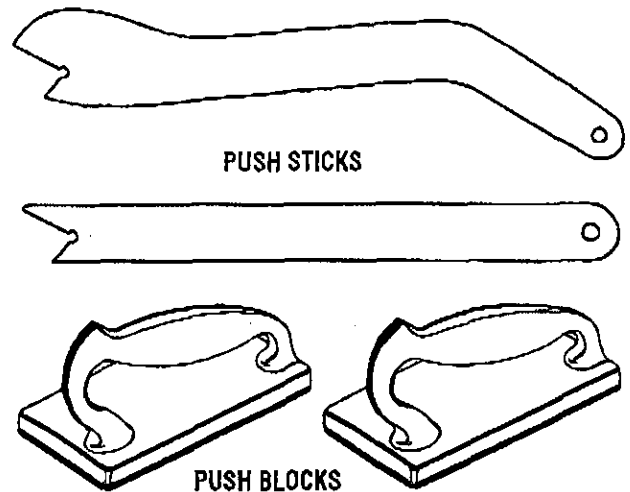


Fig. 18

- Always use clean, sharp, and properly-set blades. Never make cuts with dull blades.
- To avoid pinching the blade, support the work properly before beginning a cut.
- When making a cut, use steady, even pressure. Never force cuts.
- Do not cut wet or warped lumber.
- Always hold your workpiece firmly with both hands or with push sticks. Keep your body in a balanced position to be ready to resist kickback should it occur. Never stand directly in line with the blade.
- Use the right type of blade for the cut being made.

CUTTING AIDS

See Figure 18.

Push sticks are devices used for safely pushing a workpiece through the blade. They can be made in various sizes and shapes from scrap wood to use in a specific project. The stick must be narrower than the workpiece, with a 90° notch in one end and shaping for a grip on the other end.

A push block has a handle fastened by recessed screws from the underside. Use it on non-through cuts.

CAUTION: Be sure the screws in a push block are recessed to avoid damaging the saw or workpiece.

OPERATION

TYPES OF CUTS

See Figure 19.

There are six basic cuts: 1) the cross cut, 2) the rip cut, 3) the miter cut, 4) the bevel cross cut, 5) the bevel rip cut, and 6) the compound (bevel) miter cut. All other cuts are combinations of these basic six. Operating procedures for making each kind of cut are given later in this section.

⚠ WARNING: Always make sure the blade guard and anti-kickback pawls are in place and working properly when making these cuts to avoid possible injury.

Cross cuts are straight 90° cuts made across the grain of the workpiece. The wood is fed into the cut at a 90° angle to the blade, and the blade is vertical.

Rip cuts are made with the grain of the wood. To avoid kickback while making a rip cut, make sure one side of the wood rides firmly against the rip fence.

Miter cuts are made with the wood at any angle to the blade other than 90°. The blade is vertical. Miter cuts tend to "creep" away from the miter fence during cutting. This can be controlled by holding the workpiece securely against the miter fence.

⚠ WARNING: Always use a push stick with small pieces of wood, and also to finish the cut when ripping a long narrow piece of wood, to prevent your hands from getting close to the blade.

Bevel cuts are made with an angled blade. Bevel cross cuts are across the wood grain, and bevel rip cuts are with the grain. The rip fence must always be on the right side of the blade for bevel rip cuts.

Compound (or bevel) miter cuts are made with an angled blade on wood that is angled to the blade. Be thoroughly familiar with making cross cuts, rip cuts, bevel cuts, and miter cuts before trying a compound miter cut.

CUTTING TIPS

Dado and rabbet cuts are non-through cuts which can be either rip cuts or cross cuts. Carefully read and understand all sections of this operator's manual before attempting any operation.

⚠ WARNING: Do not use blades rated less than the speed of this tool. Failure to heed this warning could result in personal injury.

- The kerf (the cut made by the blade in the wood) will be wider than the blade to avoid overheating or binding. Make allowance for the kerf when measuring wood.
- Make sure the kerf is made on the waste side of the measuring line.

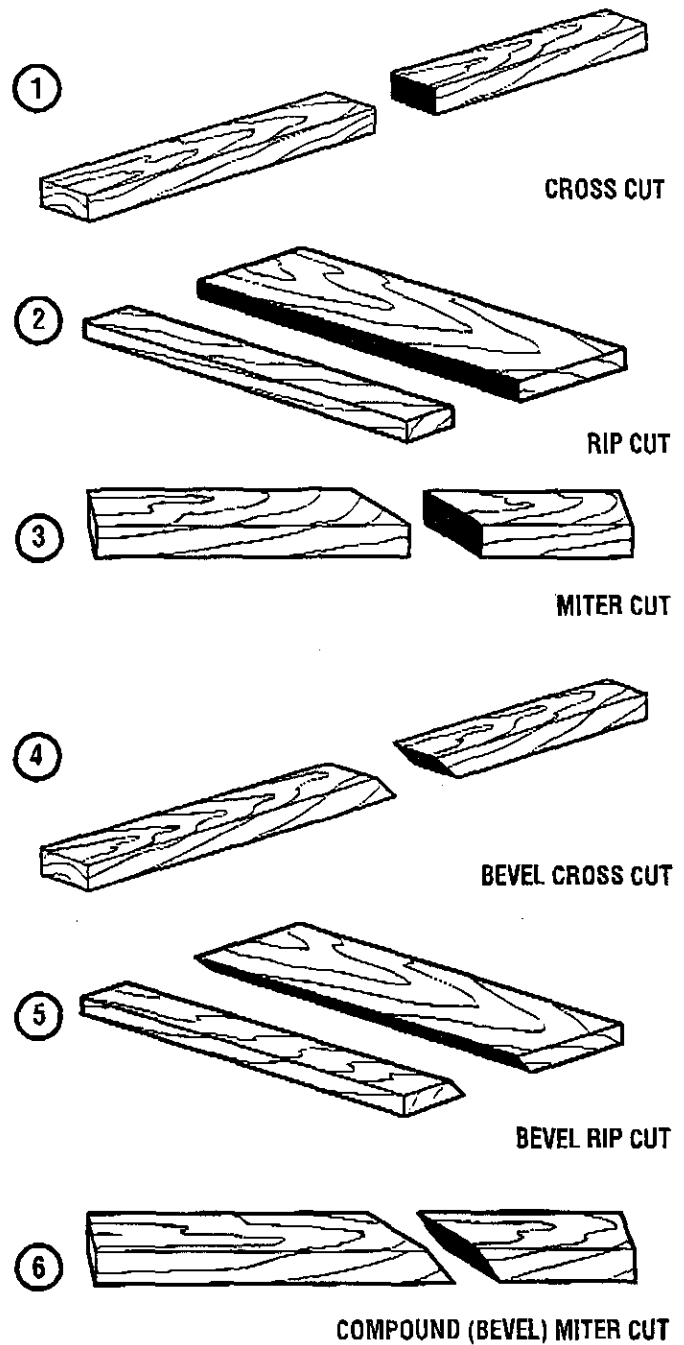


Fig. 19

- Cut the wood with the finish side up.
- Knock out any loose knots with a hammer before making the cut.
- Always provide proper support for the wood as it comes out of the saw.

OPERATION

FEATHERBOARD

A featherboard is a device used to help control the workpiece by guiding it securely against the table or fence. Featherboards are especially useful when ripping small workpieces and for completing non-through cuts. The end is angled with a number of short kerfs to give a friction hold on the workpiece and locked in place on the table with a C-clamp.

⚠ WARNING: Place the featherboard against the uncut portion of the workpiece to avoid kickback that could cause serious personal injury.

HOW TO MAKE A FEATHERBOARD

See Figure 20.

The featherboard is an excellent project for your saw. Select a solid piece of lumber approximately 3/4 in. thick, 3-5/8 in. wide and 18 in. long. Mark the center of the width on one end of the stock. Miter one-half of the width to 30° and miter the other half of the same end to 45° (see page 28 for information on miter cuts). Mark the board from the point at 6 in., 8 in., 10 in. and 12 in. Drill a 3/8 in. hole at the 8 in., 10 in., and 12 in. marks.

Prepare the saw for ripping as discussed on page 27. Set the rip fence to allow approximately a 1/4 in. "finger" to be cut in the stock. Feed the stock only to the mark previously made at 6 in. Turn the saw **OFF** and allow the blade to completely stop rotating before removing the stock. Reset the rip fence and cut spaced ribs into the workpiece to allow approximately 1/4 in. fingers and 1/8 in. spaces between the fingers.

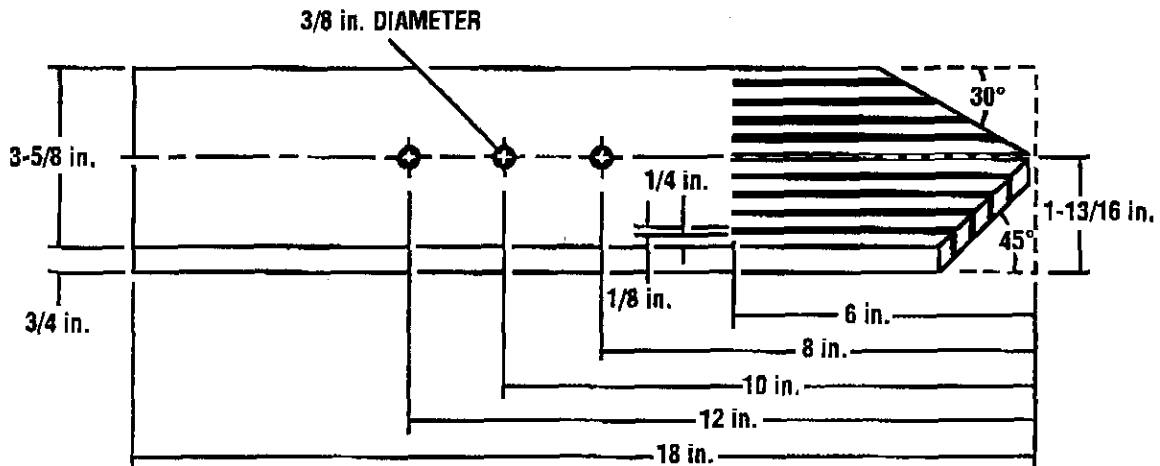


Fig. 20

HOW TO MOUNT A FEATHERBOARD

See Figure 21.

Completely lower the saw blade. Position the rip fence to the desired adjustment for the cut to be performed and lock the rip fence. Place the workpiece against the fence and over the saw blade area. Adjust the featherboard to apply resistance to the workpiece just forward of the blade. Attach a C-clamp to secure the featherboard to the edge of the saw table.

⚠ WARNING: Do not locate the featherboard to the rear of the workpiece. If positioned improperly, kickback can result from the featherboard pinching the workpiece and binding the blade in the saw kerf. Failure to heed this warning can result in serious personal injury.

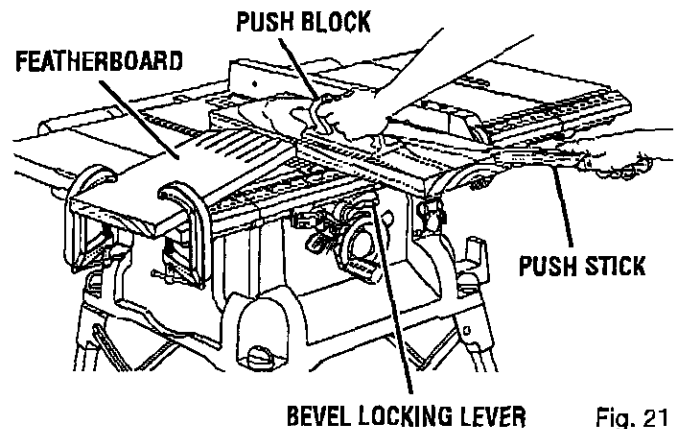


Fig. 21

OPERATION

TO CHANGE BLADE DEPTH

See Figure 22.

The blade depth should be set so that the outer points of the blade are higher than the workpiece by approximately 1/8 in. to 1/4 in. but the lowest points (gullets) are below the top surface.

- Push the bevel locking lever to the left for elevation mode.
- Raise the blade by turning the height/bevel adjusting handwheel counterclockwise or lower it by turning the handle clockwise.

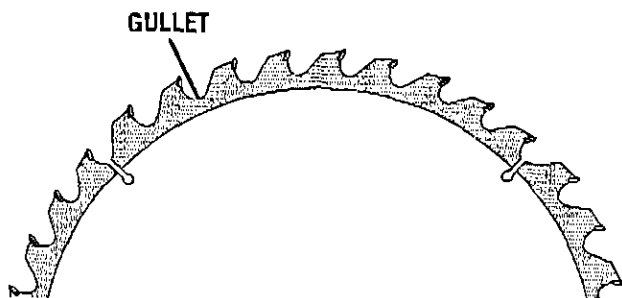


Fig. 22

TO CHANGE BLADE ANGLE

See Figure 23.

NOTE: A 90° cut has a 0° bevel and a 45° cut has a 45° bevel.

- Unplug the saw.
- Loosen bevel control by pushing the bevel lock lever all the way to the right.
- Adjust the bevel angle by pushing the wheel in toward the saw then turning it. Turning the wheel counterclockwise increases the angle of the blade, bringing it closer to 45°. Turning it clockwise decreases the angle, bringing the blade closer to 90°.
- Tighten bevel control by pushing the bevel lock lever to the left.

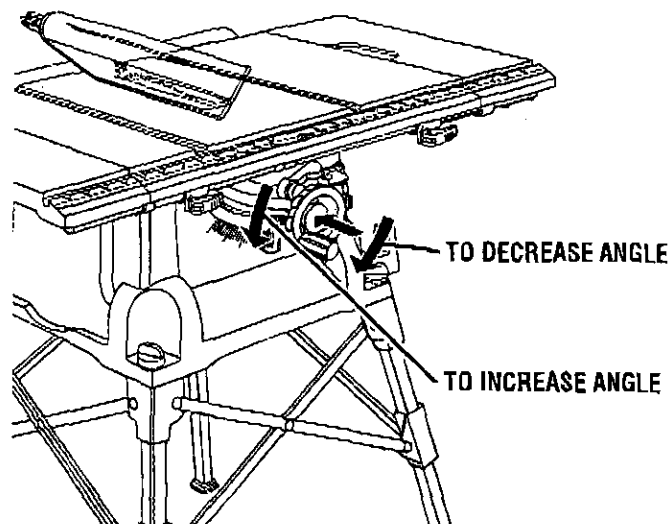


Fig. 23

TO ADJUST THE BEVEL INDICATOR

See Figure 24.

If the bevel indicator is not at zero when the saw blade is at 90°, adjust the indicator by loosening the screw and setting it at 0° on the bevel scale. Retighten the screw.

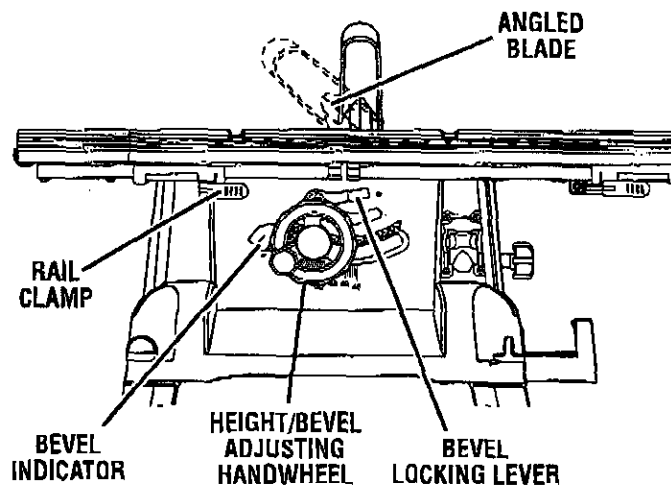


Fig. 24

OPERATION

⚠ WARNING: To reduce the risk of injury, always make sure the rip fence is parallel to the blade before beginning any operation.

TO SET THE RIP FENCE SCALE INDICATOR TO THE BLADE

See Figure 25.

Begin with the blade at a zero angle (straight up).

- Unplug the saw.
- Loosen the rip fence by lifting the locking lever.
- Using a framing square, set the rip fence 2 in. from the blade tip edge.
- Loosen the screw on the scale indicator.
- Tighten the screw and check the dimension and the rip fence.

TO USE THE RIP FENCE

See Figure 26.

- Place the rear lip on the rear of the saw table and pull slightly toward the front of the unit.
- Lower the front end of the rip fence onto the guide surfaces on top of the front rail.
- Push the locking lever down to automatically align and secure the fence.

Check for a smooth gliding action. If adjustments are needed, see **To Check the Alignment of the Rip Fence to the Blade** in the *Adjustment* section of this manual.

TO USE THE MITER GAUGE

See Figure 27.

The miter gauge provides greater accuracy in angled cuts. For very close tolerances, test cuts are recommended.

There are two miter gauge channels, one on either side of the blade. When making a 90° cross cut, you can use either miter gauge channel. When making a beveled cross cut (the blade tilted in relation to the table) the miter gauge should be located in the slot on the right so that the blade is tilted away from the miter gauge and your hands.

The miter gauge can be turned 60° to the right or left.

- Loosen the lock knob.
- With the miter gauge in the miter gauge slot, rotate the gauge until the desired angle is reached on the scale.
- Retighten the lock knob.

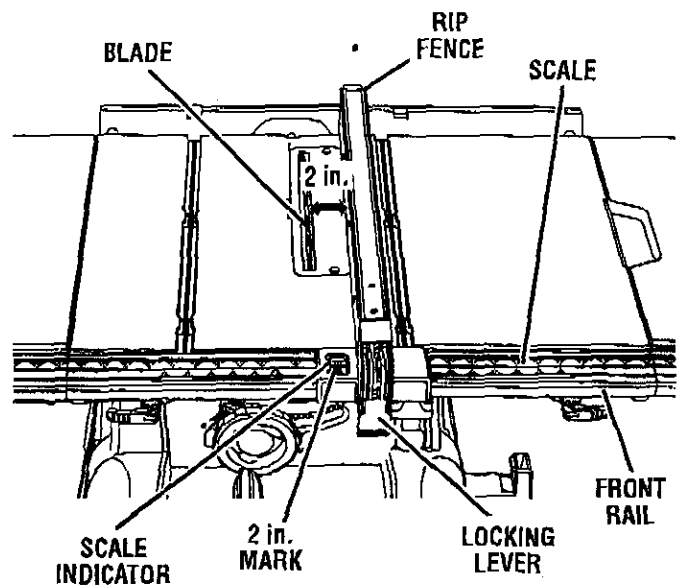


Fig. 25

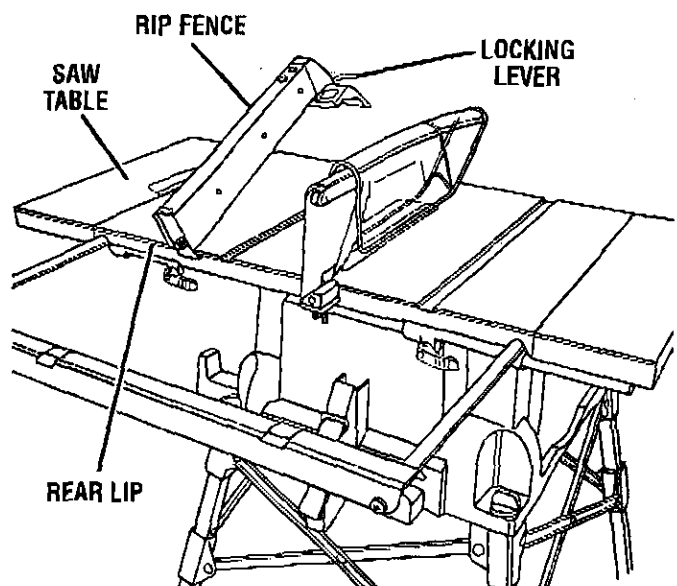


Fig. 26

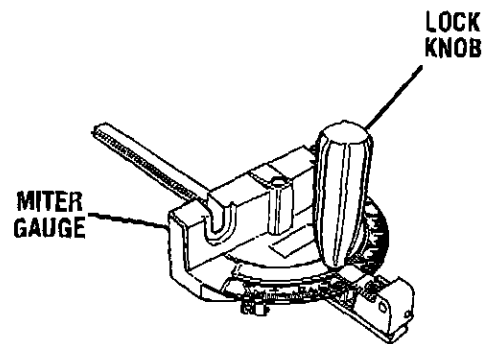


Fig. 27

OPERATION

TO USE THE SLIDING TABLE EXTENSIONS

See Figure 28.

The sliding table extensions provide the operator with additional table width for supporting wider workpieces. This product has two: one on the left and one on the right side of the table. There are locking levers under both the front and back rails that lock the extensions in place or unlock the extensions for use.

- Pull the front table locking lever toward you to unlock the lever. Repeat with the back lever.
- Slide the table extension to the desired width.

NOTE: Use the scale on the front rail when a specific width is desired.

- Once the extension tables are set to the desired width, relock the front and back locking levers by pushing the lever back towards the saw base.

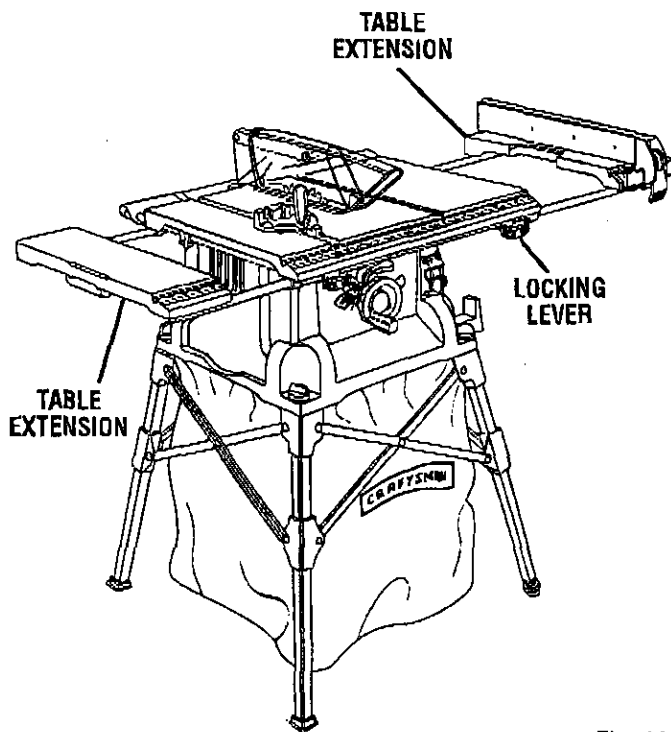


Fig. 28

TO USE THE OUTFEED SUPPORT

See Figure 29.

The outfeed support slides to give the operator additional support for cutting long workpieces.

- With the table saw in the **OFF** position, stand behind the saw.
- Grasp the outfeed support with both hands and pull it until it is fully extended.

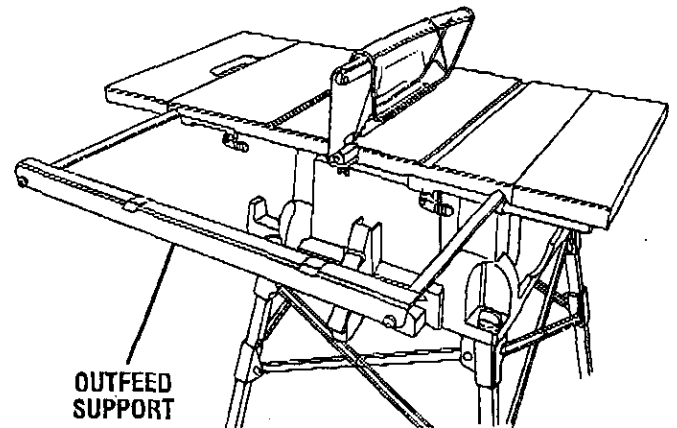


Fig. 29

OPERATION

HEELING (PARALLELING) THE BLADE TO THE MITER GAUGE GROOVE

See Figures 30 - 32.

⚠ WARNING: The blade must parallel the miter gauge slot so the wood does not bind resulting in kickback. Failure to do so could result in serious personal injury.

Do not loosen any screws for this adjustment until you have checked with a square and made test cuts to be sure adjustments are necessary. Once the screws are loosened, these items must be reset.

- Raise the blade all the way by turning the height handwheel.
- Mark beside one of the blade teeth at the front of the blade. Place the body of a combination square against the miter gauge groove as shown in figure 30. Measure the distance to the right gauge groove.
- Turn the blade so the marked tooth is at the back.
- Move the combination square to the rear and again measure the distance to the right miter gauge groove. If the distances are the same, the blade and the miter gauge groove are parallel.
- If the distances measured are different, unlock the front and back table locking levers on both the right and left sliding extension tables.
- The adjusting screws are located above the height adjusting handwheel and under the saw table in the front of the saw. Loosen the screws.
- If the back of the blade was too far from the miter gauge groove, place a block of wood on the left side of the blade and push it into the blade until the blade is parallel to the miter gauge groove. Retighten the screws.
- If the back of the blade was too close to the miter gauge groove, place a block of wood on the right side of the blade and push it into the blade until the blade is parallel to the miter gauge groove. Retighten the screws.

⚠ WARNING: To reduce the risk of injury from kickback, align the rip fence to the blade following any blade adjustments. Always make sure the rip fence is parallel to the blade before beginning any operation.

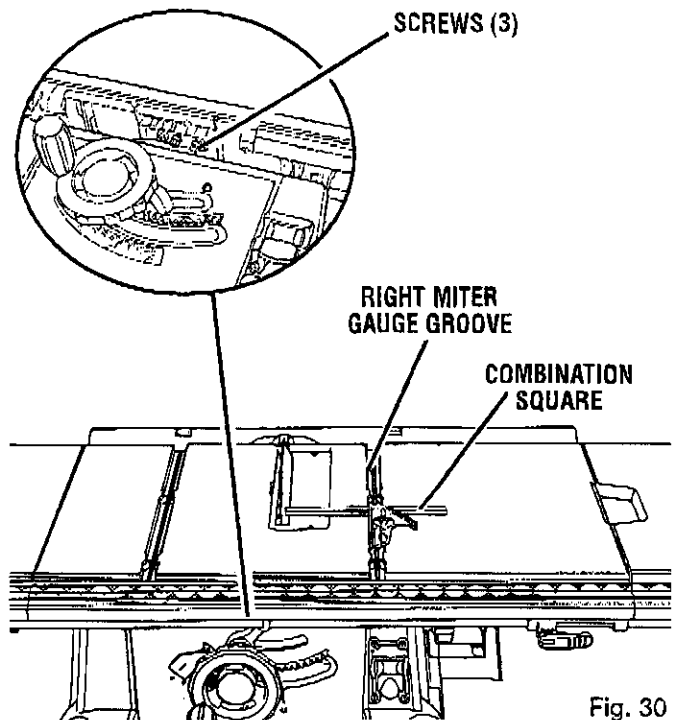


Fig. 30

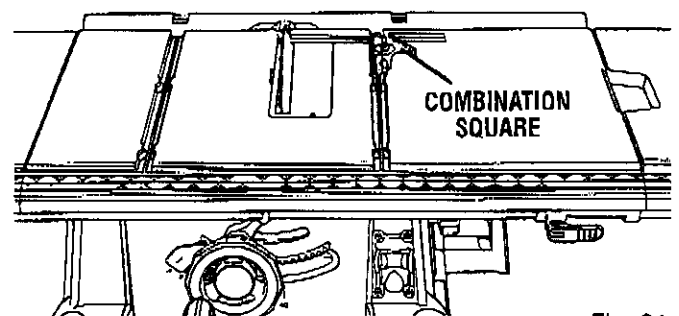
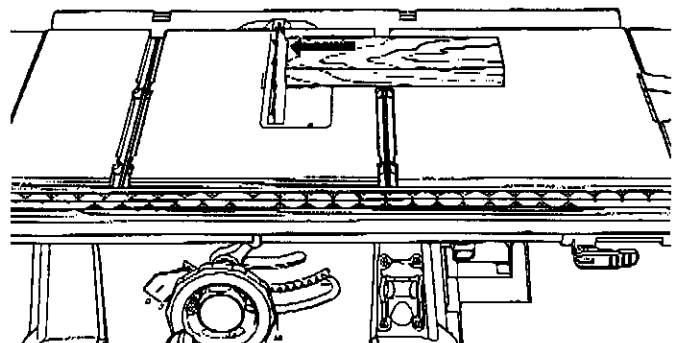


Fig. 31



BLADE TOO CLOSE TO MITER GAUGE GROOVE

Fig. 32

OPERATION

MAKING CUTS

The blade provided with the saw is a high-quality combination blade suitable for ripping and cross cut operations.

⚠ WARNING: Do not use blades rated less than the speed of this tool. Failure to heed this warning could result in personal injury.

Use the miter gauge when making cross, miter, bevel, and compound miter cuts. To secure the angle, lock the miter gauge in place by twisting the lock knob clockwise. Always tighten the lock knob securely in place before use.

NOTE: It is recommended that you place the piece to be saved on the left side of the blade and that you make a test cut on scrap wood first.

MAKING A CROSS CUT

See Figures 33 - 34.

⚠ WARNING: Using the rip fence as a cutoff gauge when cross cutting will result in kickback which can cause serious personal injury.

⚠ WARNING: Make sure the blade guard assembly is installed and working properly to avoid possible serious injury.

It is recommended you make test cuts on scrap wood.

- Remove the rip fence by lifting the locking handle.
- Set the blade to the correct depth for the workpiece.
- Set the miter gauge to 0° and tighten the lock knob.

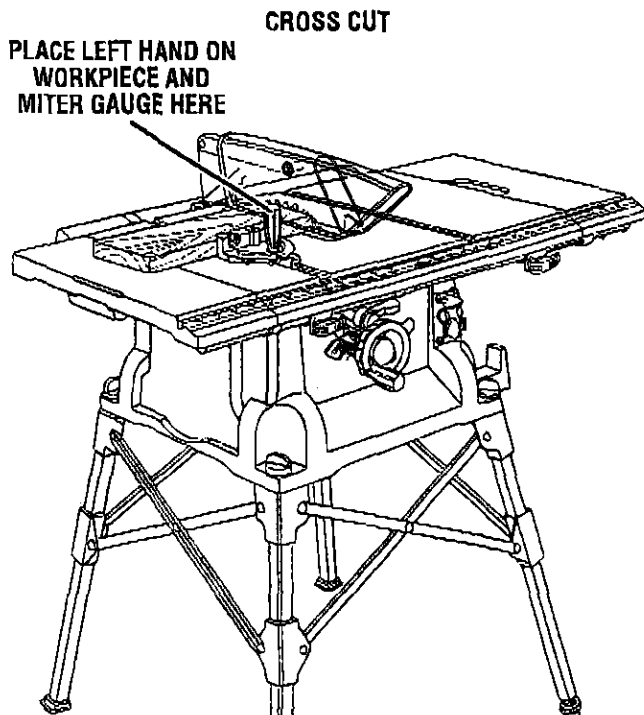
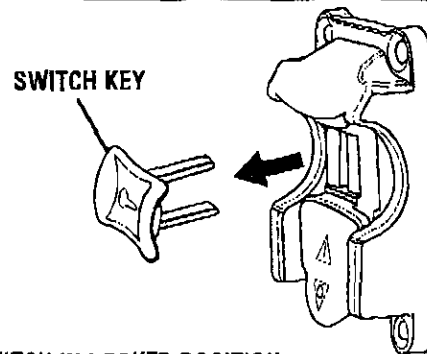
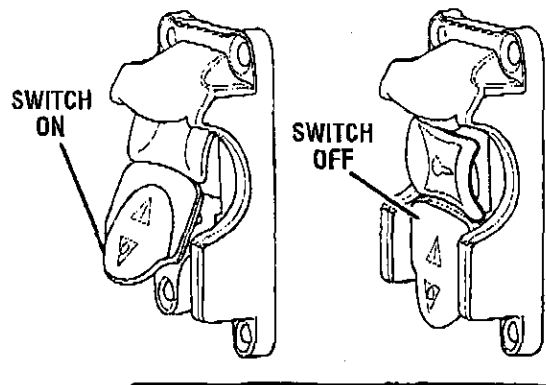


Fig. 33



SWITCH IN LOCKED POSITION

Fig. 34

- Place a support (the same height as saw table) behind the saw for the cut work.
- Make sure the wood is clear of the blade before turning on the saw.
- To turn the saw **ON**, lift the switch button.
- To turn saw **OFF**, press the switch button down.

NOTE: To prevent unauthorized use, remove the switch key as shown in figure 34.

- Let the blade build up to full speed before moving the workpiece into the blade.
- Hold the workpiece firmly with both hands on the miter gauge and feed the workpiece into the blade.
- When the cut is made, turn the saw off. Wait for the blade to come to a complete stop before removing the workpiece.

MAKING A RIP CUT

See Figure 35.

It is recommended you make a test cut on scrap wood.

⚠ WARNING: Make sure the blade guard assembly is installed and working properly to avoid serious possible injury.

- Position the rip fence the desired distance from the blade for the cut and securely lock the handle. Adjust the scale to zero at the cutting edge of the blade.

OPERATION

- Place a support (the same height as saw table) behind the saw for the cut work.
- Make sure the wood is clear of the blade before turning on the saw.
- Use a push block or push stick to move the wood through the cut past the blade. **Never push a small piece of wood into the blade with your hand, always use a push stick.** The use of push blocks, push sticks, and featherboards are necessary when making non-through cuts.
- Stand to the side of the wood as it contacts the blade to reduce the chance of injury should kickback occur. **Never stand directly in the line of cut.**
- Make sure the wood is clear of the blade before turning on the saw.
- Let the blade build up to full speed before feeding the workpiece into the blade.
- When the cut is made, turn the saw off. Wait for the blade to come to a complete stop before removing the workpiece.

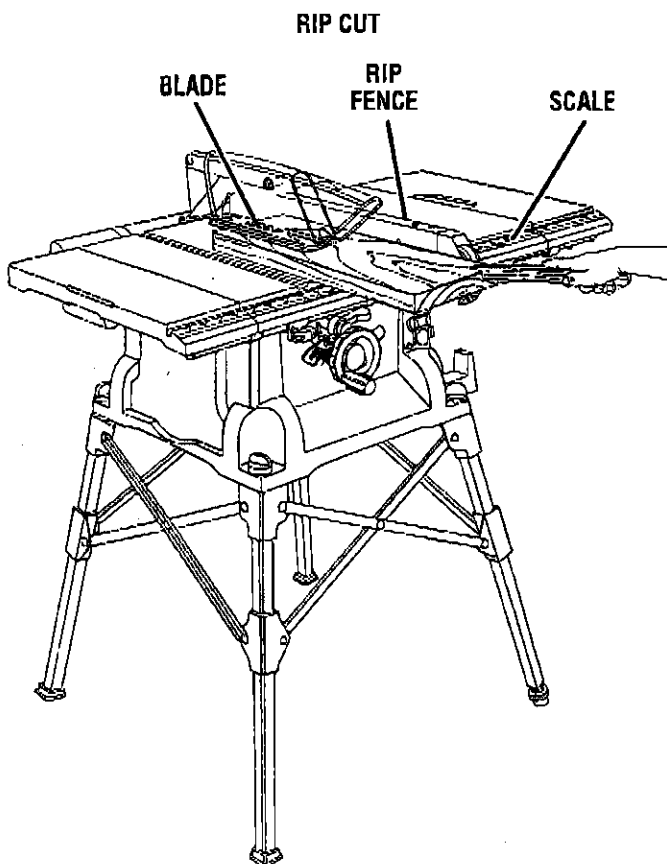


Fig. 35

MAKING A MITER CUT

See Figure 36.

It is recommended you make test cuts on scrap wood.

WARNING: Make sure the blade guard assembly is installed and working properly to avoid possible serious injury.

- Remove the rip fence by lifting the locking handle.
- Set the miter gauge to the desired angle and tighten the lock knob.
- Place a support (the same height as saw table) behind the saw for the cut work.
- Make sure the wood is clear of the blade before turning on the saw.
- Let the blade build up to full speed before moving the workpiece into the blade.
- Feed the workpiece into the blade until the cut has been completed.

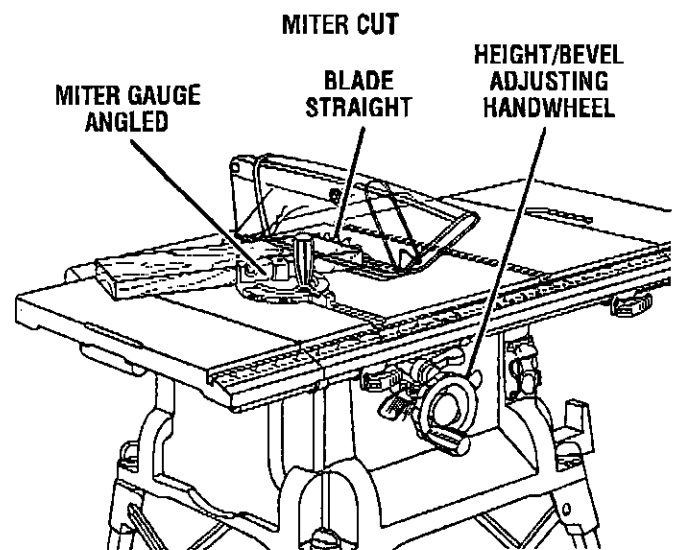


Fig. 36

MAKING A BEVEL CROSS CUT

See Figures 37 - 38.

It is recommended that you place the piece to be saved on the left side of the blade and that you make a test cut on scrap wood.

WARNING: Make sure the blade guard assembly is installed and working properly to avoid possible serious injury.

- Unlock the bevel locking lever.
- Remove the rip fence by lifting the locking handle.
- Turn the height/bevel adjusting handwheel until the bevel indicator is at the desired angle. Push the bevel locking lever securely to the left to lock the angle.
- Set the blade to the correct depth for the workpiece.

OPERATION

VIEWED FROM THE FRONT, BELOW THE TABLE SAW

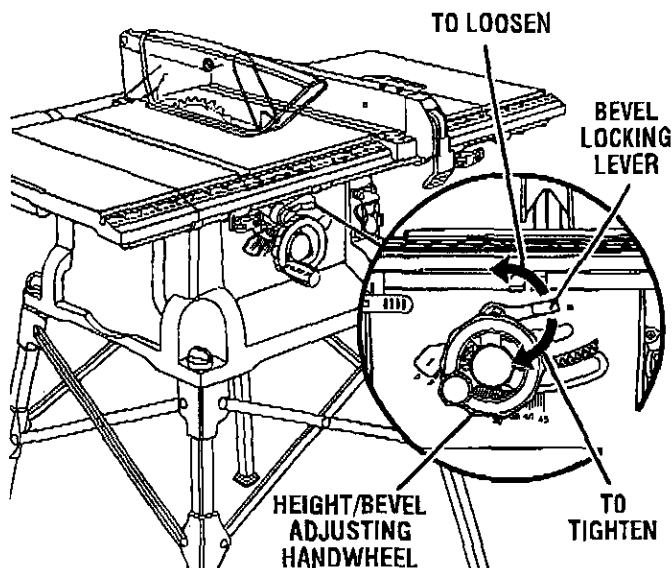


Fig. 37

- Set the miter gauge to 90° and press the bevel locking lever towards the table to lock.
- Place a support (the same height as saw table) behind the saw for the cut work.
- Make sure the wood is clear of the blade before turning on the saw.
- Let the saw blade build up to full speed before moving the miter gauge and the workpiece into the blade.
- Hold the workpiece firmly with both hands on the miter gauge and feed the workpiece into the blade.
- When the cut is made, turn the saw off. Wait for the blade to come to a complete stop before removing the workpiece.

MAKING A BEVEL RIP CUT

See Figure 39.

It is recommended you make test cuts on scrap wood.

⚠ WARNING: The rip fence must be on the right side of the blade to avoid trapping the wood and causing kickback. Placement of the rip fence to the left of the blade will result in kickback and the risk of serious personal injury.

⚠ WARNING: Make sure the blade guard assembly is installed and working properly to avoid serious personal injury.

- Remove the sliding miter table and move the accessory table to the left side.
- Adjust the bevel angle to the desired setting.
- Set the blade to the correct depth.
- Position the rip fence the desired distance from the right side of the blade and lock down the handle.
- If ripping a piece larger than 36 in. long, place a support the same height as the table surface behind the saw for the cut work.
- Turn the power switch to the **ON** position.
- Position the workpiece flat on the table with the edge flush against the rip fence. Let the blade build up to full speed before feeding the workpiece into the blade.
- Using a push stick and/or push blocks, slowly feed the workpiece toward the blade. Stand slightly to the side of the wood as it contacts the blade to reduce the chance of injury should kickback occur.
- Once the blade has made contact with the workpiece, use the hand closest to the rip fence to guide it. Make sure the edge of the workpiece remains in solid contact with both the rip fence and the surface of the table. If ripping a narrow piece, use a push stick to move the piece through the cut and past the blade.

BEVEL CROSS CUT

MITER GAUGE
STRAIGHT

BLADE
ANGLED

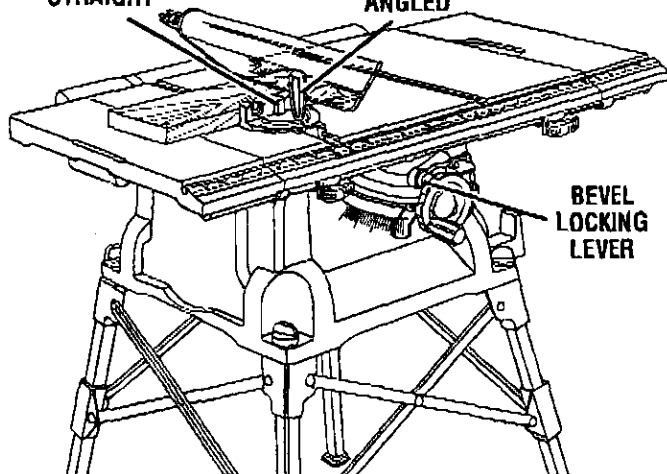


Fig. 38

OPERATION

- When the cut is made, turn the saw off. Wait for the blade to come to a complete stop before removing the workpiece.
- After the blade has stopped completely, remove the cutoff stock.
- Grasp the workpiece from the lead end (the end fed into the blade first) and carefully remove it from the table.

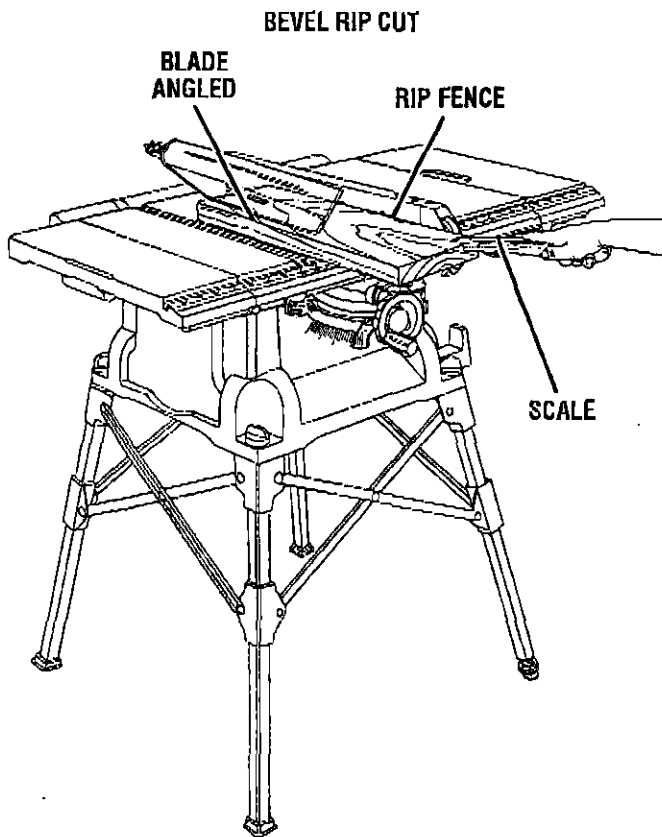


Fig. 39

MAKING A COMPOUND (BEVEL) MITER CUT

See Figure 40.

It is recommended that you place the piece to be saved on the left side of the blade and that you make a test cut on scrap wood first.

⚠ WARNING: Make sure the blade guard assembly is installed and working properly to avoid possible serious injury.

- Remove the rip fence by lifting the lock down handle.
- Unlock the bevel locking lever.
- Adjust the bevel angle to the desired setting.
- Lock the bevel locking lever.
- Set the saw blade to the correct depth.

- Loosen the lock knob on the miter gauge, set the miter gauge to the desired angle and tighten lock knob.
- Turn the power switch to the **ON** position.
- Position the workpiece flat on the table with the edge flush against the miter gauge. Let the blade build up to full speed before feeding the workpiece into the blade.
- Advance the workpiece and the miter gauge toward the blade. Keep the workpiece flush against the miter gauge. Push the miter gauge and workpiece toward the blade. Stand slightly to the side of the wood as it contacts the blade to reduce the chance of injury should kickback occur.
- When the cut is made, turn the saw off. Wait for the blade to come to a complete stop before removing the workpiece.
- After the blade has stopped completely, remove the cutoff stock.

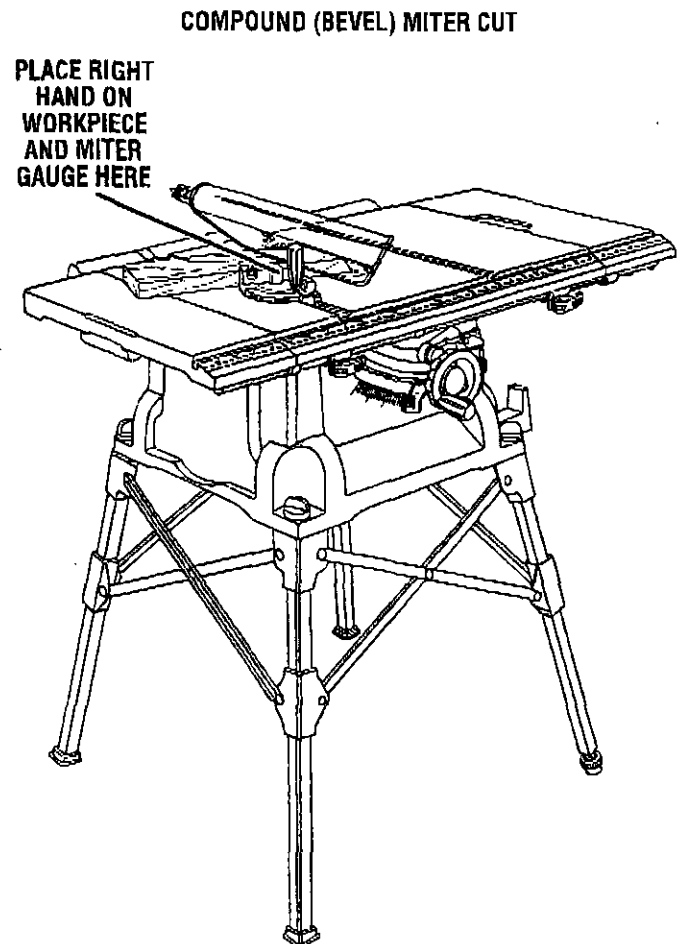


Fig. 40

OPERATION

MAKING A LARGE PANEL CUT

See Figure 41.

Make sure the saw is properly secured to a work surface to avoid tipping from the weight of a large panel.

- ▲ **WARNING:** Make sure the blade guard assembly is installed and working properly to avoid possible serious injury.
- Place a support the same height as the top of the saw table behind the saw for the cut work. Add supports to the sides as needed.
- Depending on the shape of the panel, use the rip fence or miter gauge. If the panel is too large to use either the rip fence or the miter gauge, it is too large for this saw.
- ▲ **WARNING:** Never make freehand cuts (cuts without the miter gauge or rip fence), which can result in serious injury.
- Make sure the wood does not touch the blade before you turn on the saw. Let the blade build up to full speed before feeding the wood into the blade.
- When the work is completed, press the switch off and remove the key.

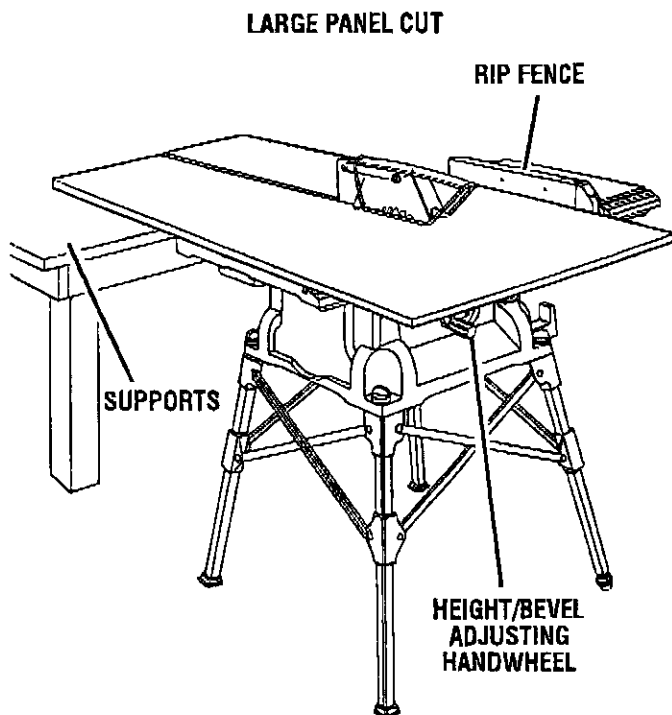


Fig. 41

MAKING A NON-THROUGH CUT

See Figure 42.

Non-through cuts can be made with the grain (ripping) or across the grain (cross cut). The use of a non-through cut is essential to cutting grooves, rabbets, and dadoes.

NOTE: This is the only type cut that is made without the blade guard installed. Make sure the blade guard assembly is reinstalled upon completion of this type of cut.

Read the appropriate section which describes the type of cut in addition to this section on non-through or dado cuts. For example, if your non-through cut is a straight cross cut, read and understand the section on straight cross cuts before proceeding.

- Unplug the saw.
- Lower the blade and remove the screw holding the throat plate in place. Remove the throat plate.
- Raise the saw blade.
- Put the saw in angle mode by pushing the bevel locking lever to the right. Turn the height/bevel adjusting handwheel until the blade indicator shows a 30° angle. Push the bevel locking lever securely to the left to lock the angle.
- Remove the blade guard assembly.
- Lower the blade and insert the throat plate, then securely tighten the throat plate screw.
- Bring the blade back to 90°.
- Raise the blade to the correct height by turning the height/bevel adjusting handwheel counterclockwise.
- NOTE:** Carefully check all setups and rotate the blade one full revolution to assure proper clearance before connecting saw to power source.
- Feed the workpiece into the blade.
- Always use push blocks, push sticks, and featherboards when making non-through cuts to avoid the risk of serious injury.

▲ **WARNING:** When making a non-through cut, the cutter is covered by the workpiece during most of the cut. Be alert to the exposed cutter at the start and finish of every cut to avoid the risk of personal injury.

OPERATION

⚠ WARNING: Never feed wood with your hands when making any non-through cut such as rabbets or dadoes. To avoid personal injury, always use push blocks, push sticks, and featherboards.

- When the cut is made, turn the saw **OFF**. Wait for the blade to come to a complete stop before removing the workpiece.
- Unplug the saw.
- Lower the blade and remove the screw holding the throat plate in place. Remove the throat plate.
- Raise the saw blade.
- Push the bevel locking lever to the right. Rotate the height/bevel adjusting handwheel until the bevel indicator shows a 30° angle. Push the bevel locking lever securely to the left while holding the height/bevel adjusting handwheel to lock the angle. Reinstall the blade guard assembly.
- Retighten the nut at the base of the spreader. Check spreader alignment to the blade and adjust shims if necessary.
- Move the bevel locking lever to the right and rotate the blade back to 90°. Push the lever to the left to lock the angle.
- Lower the blade, insert the throat plate, then securely tighten the throat plate screw.

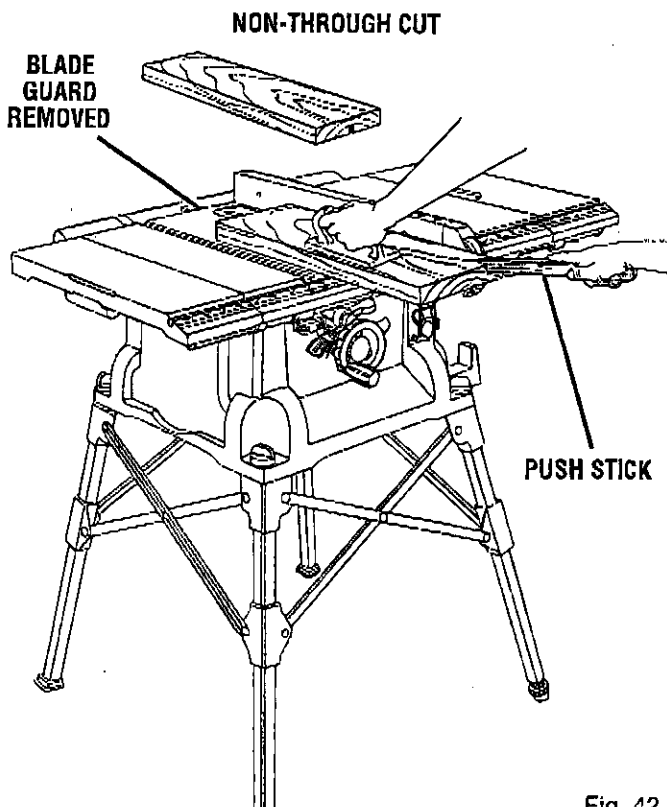


Fig. 42

MAKING A DADO CUT

See Figure 43.

An optional dado throat plate (part number 0121010317) is required for this procedure. Do not use blades rated less than the speed of this tool. This saw is designed for use with a 6 in. stack dado (up to width of 5/8 in.). Do not use an adjustable dado on this saw.

NOTE: This saw cannot be used to make a bevel dado cut.

- Unplug the saw.
- Remove the blade guard assembly and the saw blade.
- Remove the inner blade washer and the spacer.
- Reinstall the inner blade washer.
- Mount the dado blade, using the blade and chippers appropriate for the desired width of cut.
- Reinstall the arbor nut.
- Make sure the arbor nut is fully engaged and the arbor extends at least one full thread past a securely tightened arbor nut.
- When mounting dado blades, make sure both the inner blade washer and outer blade washer are used.

⚠ WARNING: Always put all spacers in proper location when changing back to saw blade. Failure to do so may result in possible injury and damage to the tool.

⚠ WARNING: Always use push blocks, push sticks, or featherboards when making dado cuts to avoid the risk of serious injury.

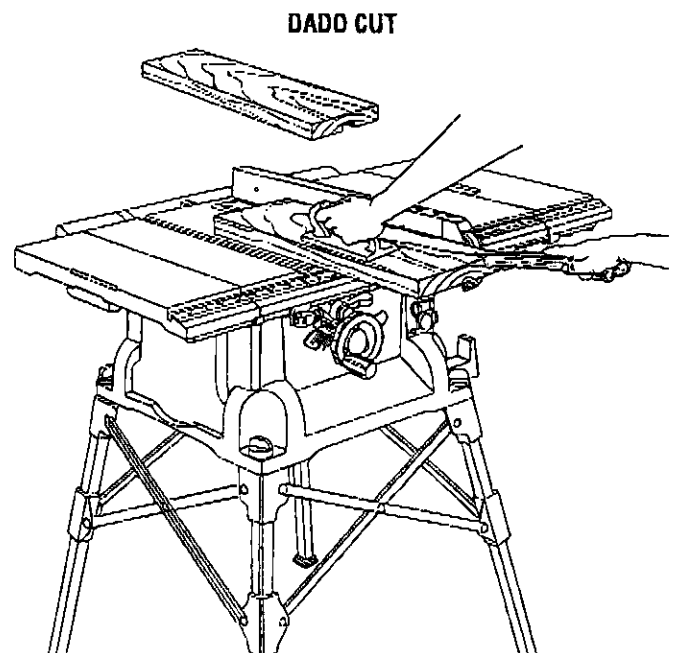


Fig. 43

ADJUSTMENTS

⚠ WARNING: Before performing any adjustment, make sure the tool is unplugged from the power supply. Failure to heed this warning could result in serious personal injury.

⚠ WARNING: Blades coast after turn off. Possible serious injury can occur if hands come in contact with blade.

The table saw has been adjusted at the factory for making very accurate cuts. However, some of the components might have been jarred out of alignment during shipping. Also, over a period of time, readjustment will probably become necessary due to wear.

To avoid unnecessary set-ups and adjustments, a good practice is to check your setups carefully with a framing square and make practice cuts in scrap wood before making finish cuts in good workpieces. Do not start any adjustments until you have checked with a square and made test cuts to be sure adjustments are needed.

TO REPLACE THE BLADE

See Figures 44 - 46.

- Unplug the saw.
- Lower the saw blade, raise the blade guard, and remove the throat plate.
- Make sure the bevel locking lever is securely pushed to the left. Raise the saw blade to its full height by turning the height/bevel adjusting handwheel clockwise.
- Using the smaller hex wrench, insert the flat open end into the flats on the arbor shaft.
- Insert the closed end of the larger hex wrench over the hex nut. Holding both wrenches firmly, pull the larger wrench forward to the front of the machine. Make sure the blade nut is securely tightened. Do not overtighten.

NOTE: Arbor shaft has left hand threads.

Check all clearances for free blade rotation. See **To Set the Scale to the Blade**. In cutting operations, the scale will be set to the side of the blade where the cut will be measured and made.

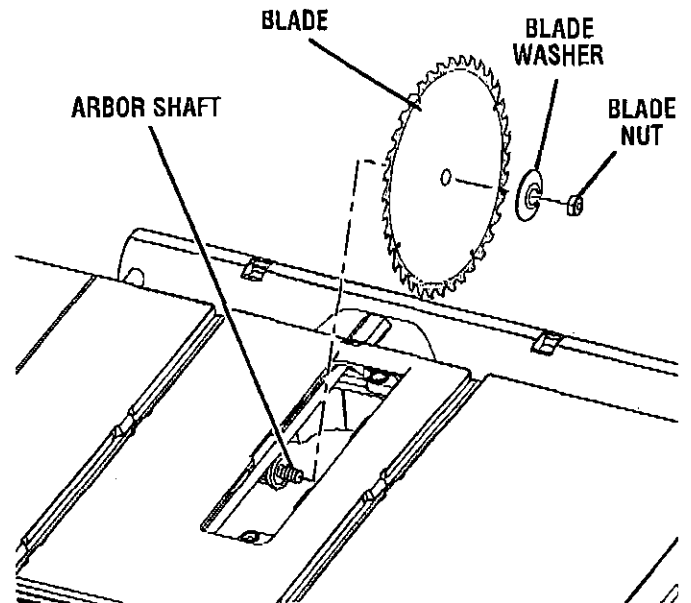


Fig. 45

To replace the blade with an accessory blade, follow the instructions provided with the accessory.

To install a standard blade:

- Place the new blade on the arbor shaft (the teeth must point down toward the front of the saw to work properly).
- Place the blade washer and the blade nut over the blade arbor. Be sure the dome side of the blade washer faces out from the blade and that all items are snug against the arbor housing. Tighten securely.
- Rotate the blade by hand to make sure it turns freely.
- Lower the saw blade and reinstall the throat plate.

NOTE: Securely tighten throat plate screws. Do not allow the throat plate to bow up above the table surface.

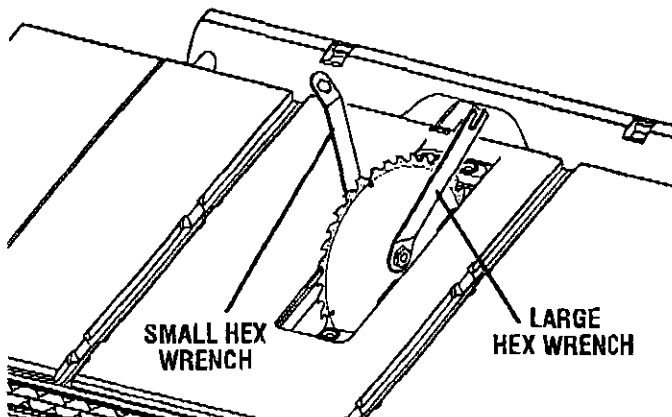


Fig. 44

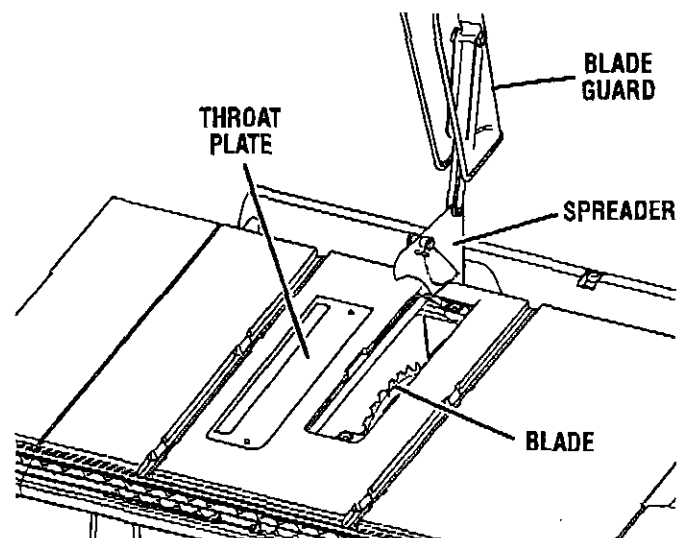


Fig. 46

ADJUSTMENTS

TO SET THE BLADE AT 0° AND 45°

See Figures 47 - 48.

The angle settings of your saw have been set at the factory and, unless damaged in shipping, should not require setting during assembly. After extensive use, it may need to be checked.

- Raise the blade and the blade guard.
- If the blade is not perfectly vertical (0°), loosen the adjustment bolt and the bevel locking lever.
- Place a combination square beside the blade on the left. Lock the angle by pushing the bevel locking lever and retighten the adjustment bolt.
- Turn the bevel handle until the bevel indicator points to zero. If the bevel handle is turned as far as possible and doesn't indicate zero properly, you may need to adjust the bevel indicator.

NOTE: It will be necessary to remove the bevel handle to adjust the bevel indicator.

- If the blade is not an exact 45°, loosen the adjustment bolt and the bevel locking lever.
- Turn the bevel handle until the bottom of the blade has moved completely to the left side of the slot. Lock the angle by pushing the bevel locking lever.
- If the blade is not an exact 45°, loosen the adjustment bolt and the bevel locking lever.
- Adjust the bevel indicator to 45°.
- Make a test cut.

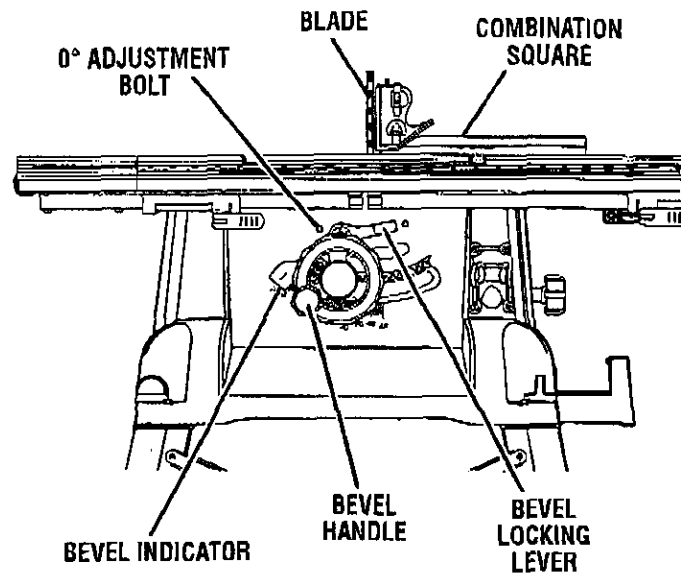


Fig. 47

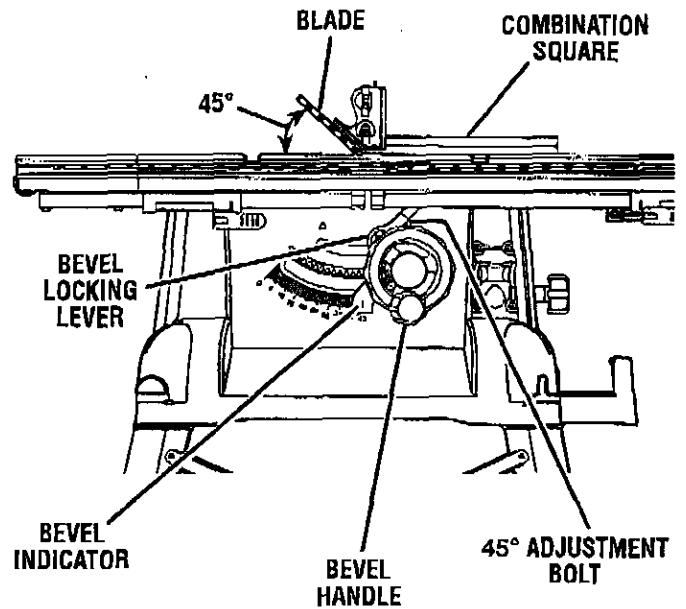


Fig. 48

ADJUSTMENTS

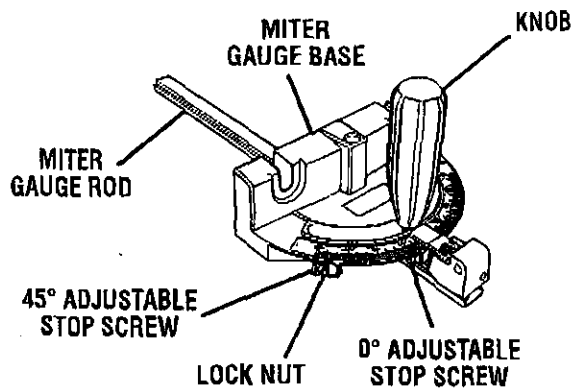


Fig. 49

TO ADJUST THE MITER GAUGE

See Figure 49.

You can set the miter gauge at 0° and plus or minus 45° with the miter gauge stop pin and adjustable stop screws.

NOTE: The miter gauge provides close accuracy in angled cuts. For very close tolerances, test cuts are recommended.

- Loosen knob and pull out on stop pin to rotate miter gauge base past stop screws.
- Loosen the lock nut of the 0° stop screw at the stop pin with a 8 mm wrench.
- Place a 90° square against the miter gauge rod and the miter gauge base.
- If the rod is not square, loosen the knob, adjust the rod, and tighten the knob.
- Adjust the 0° stop screw until it rests against the stop pin.
- Adjust the plus and minus 45° stop screws using a 45° triangle and the steps above.

TO CHECK THE ALIGNMENT OF THE RIP FENCE TO THE BLADE

See Figure 50.

- Unplug the saw.
- Raise the locking lever to permit the rip fence to be moved.

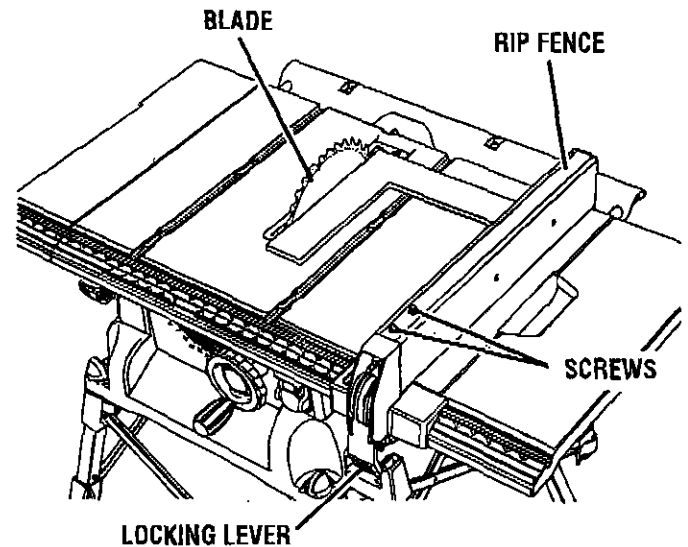


Fig. 50

- Place a framing square beside the blade and move the rip fence up to the square. Take the dimension on the rip scale.
- Move the fence back and turn the framing square 180° to check the other side.
- If the two dimensions are not the same, loosen the two screws on the fence and align it.
- Retighten the two screws.
- Make two or three test cuts on scrap wood. If the cuts are not true, repeat the process.

⚠ WARNING: Before plugging the saw back in to make test cuts, make sure the switch is in the **OFF** position and the blade guard is in place. Failure to do so can result in serious injury.

MAINTENANCE

⚠ WARNING: When servicing, use only identical replacement parts. Use of any other parts may create a hazard or cause product damage.

⚠ WARNING: Always wear safety goggles or safety glasses with side shields during power tool operation or when blowing dust. If operation is dusty, also wear a dust mask.

GENERAL

Avoid using solvents when cleaning plastic parts. Most plastics are susceptible to damage from various types of commercial solvents and may be damaged by their use. Use clean cloths to remove dirt, dust, oil, grease, etc.

⚠ WARNING: Do not at any time let brake fluids, gasoline, petroleum-based products, penetrating oils, etc., come in contact with plastic parts. Chemicals can damage, weaken, or destroy plastic which may result in serious personal injury.

- Periodically check all clamps, nuts, bolts, screws, and belts for tightness and condition. Make sure the throat plate is in good condition and in position.
- Check the blade guard assembly.
- To maintain the table surfaces, fence, and rails, periodically apply paste wax to them and buff to provide smooth functioning. To prevent work from slipping during cutting operation, **Do not** wax the working face of the miter gauge.
- Protect the blade by cleaning out saw dust from underneath the table and in the blade teeth. Use a resin solvent on the blade teeth.
- **Clean plastic parts only with a soft damp cloth. Do not** use any aerosol or petroleum solvents.

LUBRICATION

This saw has been lubricated at the factory prior to shipment.

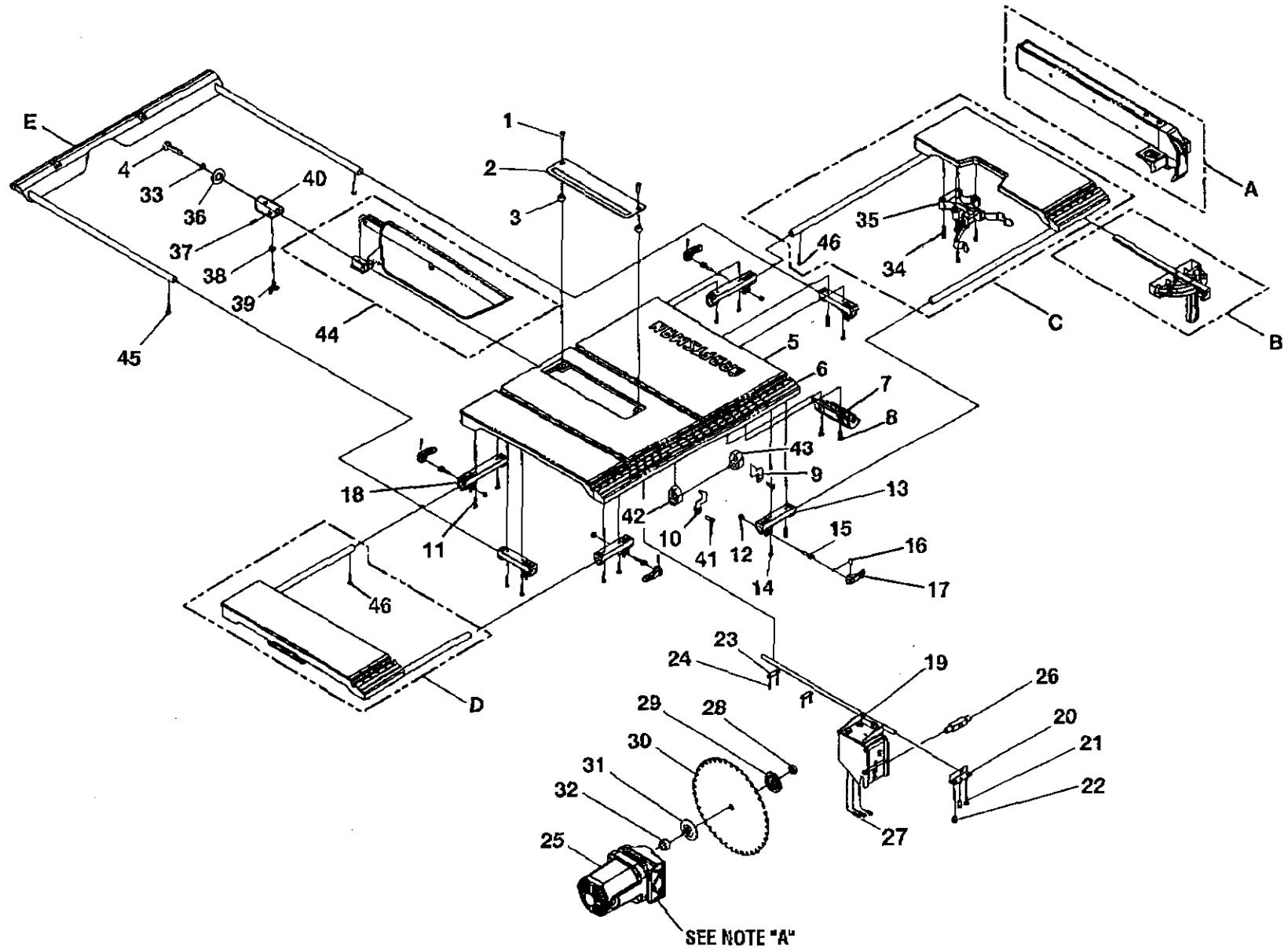
TROUBLESHOOTING

PROBLEM	CAUSE	SOLUTION
Excess vibration.	Blade is out of balance.	Replace blade.
	Blade is damaged.	Replace blade.
	Saw is not mounted securely.	Tighten all hardware.
	Work surface is uneven.	Reposition on flat surface. Adjust legs of optional stand.
	Blade is warped.	Check saw blade installation. Replace blade if necessary.
Rip fence does not move smoothly.	Rip fence not mounted correctly.	Remount the rip fence.
	Rails are dirty or sticky.	Clean and wax rails.
	Clamp screw is out of adjustment.	Adjust clamp screw counterclockwise.
Rip fence does not lock at rear.	Clamp screw is out of adjustment.	Adjust clamp screw clockwise.
Cutting binds or burns work.	Blade is dull.	Replace or sharpen blade.
	Blade is heeling.	See page 25 on "Heeling the Blade".
	Work is fed too fast.	Slow the feed rate.
	Rip fence is misaligned.	Align the rip fence.
	Wood is warped.	Replace the wood. Always cut with convex side to table surface.
	Rip fence is misaligned.	
Wood edges away from rip fence when ripping.	Blade not properly sharpened or set.	Check and adjust the rip fence. Resharpener or set blade.

TROUBLESHOOTING

PROBLEM	CAUSE	SOLUTION
Saw does not make accurate 90° or 45° cuts.	Positive stops inside cabinet need adjusting (Bevel Cuts).	Adjust positive stops.
	Miter gauge is misaligned (Miter Cuts).	Adjust the miter gauge.
Height/bevel adjusting hand-wheel is hard to turn.	Gears or screw post inside cabinet are clogged with saw dust.	Clean the gears or screw post.
Saw does not start.	Motor cord or wall cord is not plugged in.	Plug in motor cord or wall cord.
	Circuit fuse is blown.	Replace circuit fuse.
	Circuit breaker is tripped.	Reset circuit breaker.
	Cord or switch is damaged.	Have the cord or switch replaced at your Sears Service Center.
Blade makes poor cuts.	Blade is dull or dirty.	Clean, sharpen, or replace blade.
	Blade is wrong type for cut being made.	Replace with correct type.
	Blade is mounted backwards.	Remount blade.
Blade does not lower when turning height/bevel adjusting handwheel.	Locking lever is not at full left position.	Move locking lever to left.
Motor labors in rip cut.	Blade not proper for rip cut.	Change blade; rip blade typically has fewer teeth.

CRAFTSMAN 10 in. TABLE SAW – MODEL NUMBER 315.218050



39

⚠ WARNING: Improper electrical repair of the table saw can result in damage to the drive system possibly causing electrical shock or electrocution. Any repairs requiring disassembly of your tool require safety testing and should only be performed by a Sears Service Center.

CRAFTSMAN 10 in. TABLE SAW - MODEL NO. 315.218050

The model number will be found on the data plate attached to the cabinet. Always mention the model number in all correspondence regarding your **TABLE SAW** or when ordering repair parts.

KEY NO.	PART NUMBER	DESCRIPTION	QTY.
1	410101005	* Screw (M5 x 15 mm)	2
2	0121010304-129	Throat Plate	1
3	0121011301	Throat Plate Adjusting Pad.....	2
4	410151713	* Screw, Hex Hd. (1/4-20 x 46 mm)	1
5	0121010104-126	Main Table	1
6	9121015330301	Scale Label.....	1
7	0131010221	Handle Bracket.....	1
8	410171722	* Screw (10-24 x 3/8 in.)	2
9	0121010318-129	Right Scale Indicator	1
10	0121010319-129	Left Scale Indicator	1
11	410192001	* Screw (M4 x 10 mm)	4
12	411071003	Nylon Nut (M5)	4
13	0121010214	Short Bracket	4
14	410171706	* Screw (10-24 x 1/2 in.)	8
15	0121010903	Auxiliary Table Clamping Handle	4
16	414011033	Spring Pin (M5 x 18 mm).....	4
17	0121010211	Auxiliary Table Clamping Handle.....	4
18	0121010215	Outfeed Rod Primary Bracket	2
19	A121014301	Motor Bracket Assembly.....	1
20	0121010314	Adjusting Plate	1
21	410371002	* Hex Screw With S Washer (M6 x 15 mm)	2
22	0121010901	Eccentric Roller	1
23	0121010313	Pivot Bracket Plate.....	2
24	410151016	Screw, Hex w/washer (M6 x 12 mm).....	4
25	A121010101	Motor Assembly	1
26	0121010902	Glider	1
27	410341006	* Screw (M6 x 15 mm)	3
28	0131010912	* Nut (5/8-18NF-2B).....	1
29	0101010302	Flange.....	1
30	422010046	Blade	1
31	0121010502	Blade Washer	1
32	0121010501	Spacer	1
33	412012701	* Washer (1/4 in. x 16 x 1T).....	1
34	410171710	* Tapping Screw (10-24 x 1 in.).....	4
35	0121010216	Miter Gauge Box	1
36	412042702	* Washer (1/4 in.).....	1
37	410079021	Screw (M5 x 6 mm, Soc.).....	1
38	412011701	* Washer (1/4 x 16 x 1T).....	1
39	0121010802	Wing Screw (M6 x 16 mm)	1
40	0121010105	Block	1
41	410602002	* Screw (M4 x 25 mm)	2
42	0121010236	End Plug, Extension Table Rod (left)	1
43	0121010237	End Plug, Extension Table Rod (right).....	1
44	A121011001	Blade Guard Assembly.....	1
45	410192001	Screw w/Washer (1/4-20 x 1/2 in.)	2
46	410602001	Screw, Pan Hd. (M4 x 10 mm).....	2

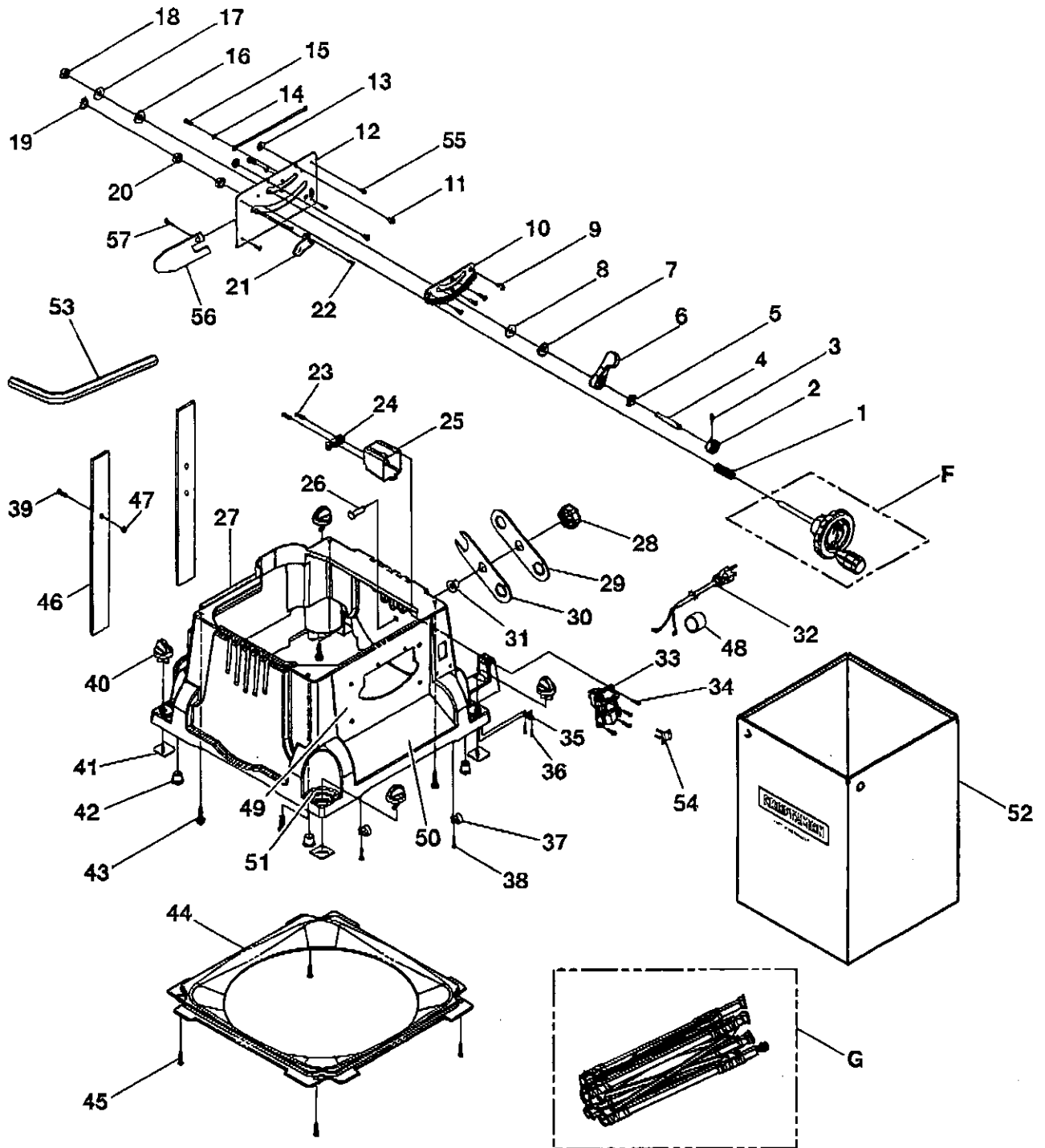
*Standard Hardware Item - May Be Purchased Locally

NOTE: "A" - The assembly shown represents an important part of the double insulated system. To avoid the possibility of alteration or damage to the system, service should be performed by your nearest Sears Repair Center. Contact your nearest Sears Retail Store for Service Center information.

WARNING: Improper repair of a double insulated product can result in damages to the double insulation system possibly causing electrical shock or electrocution. Any repairs requiring disassembly of your table saw requires safety testing to be performed by your nearest Sears Repair Center. Contact your nearest Sears Retail Store for Service Center information.



CRAFTSMAN 10 in. TABLE SAW - MODEL NO. 315.218050



WARNING: Improper electrical repair of the table saw can result in damage to the drive system possibly causing electrical shock or electrocution. Any repairs requiring disassembly of your tool require safety testing and should only be performed by a Sears Service Center.

CRAFTSMAN 10 in. TABLE SAW - MODEL NO. 315.218050

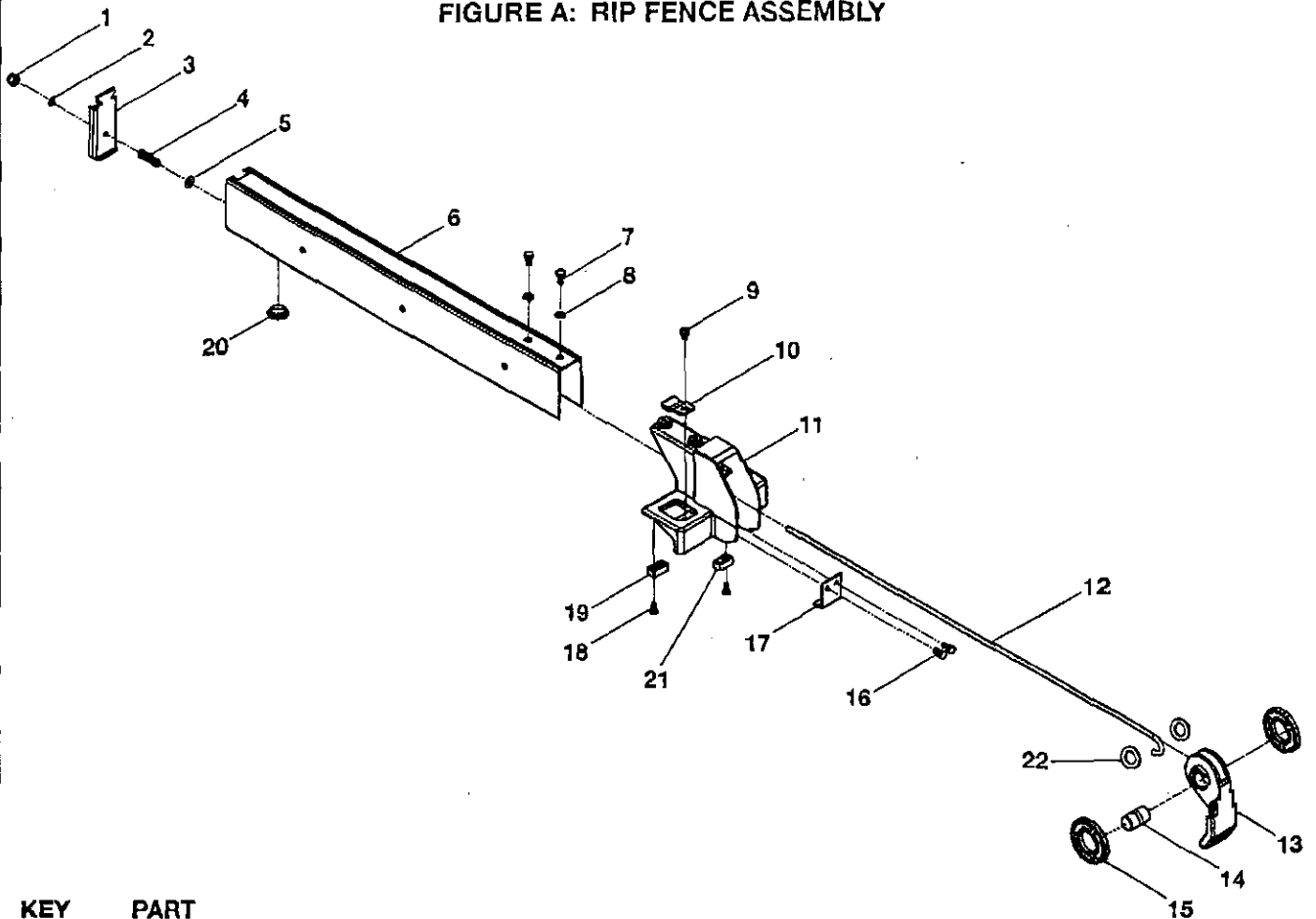
KEY NO.	PART NUMBER	DESCRIPTION	QTY.
1	0121010919	Compression Spring.....	1
2	0134010224	Cam.....	1
3	410138743	* Screw (8-32 x 1 in.).....	1
4	0121010906	Locking Screw (SS41).....	1
5	0134010316	Locking Shim (SUS310).....	1
6	0121010220	Locking Lever.....	1
7	0134011301	Rubber Pad (NRB70).....	1
8	41201113	* Washer (M26 x 10 x 2T).....	1
9	410181001	* Screw (M4 x 7 mm).....	8
10	0121010219	Gear Rack.....	1
11	410499007	* Screw, Hex Hd. (M5 x 8 mm).....	2
12	0121010316	Front Cabinet Support Plate.....	1
13	0121010315	Cam.....	2
14	412042002	* Washer (D4).....	2
15	410134005	* Screw, Pan Hd. (M4 x 8 mm).....	2
16	412011113	* Washer (M10 x 23 x 2T).....	1
17	0121010230	Locking Ring.....	1
18	411071004	* Nut (M10).....	1
19	411011701	"C" Ring (56).....	1
20	0101010908	Special Nut (3/8-16 x 4).....	2
21	0121010206	Bevel Indicator.....	1
22	410211006	* Screw (M4 x 10 mm).....	1
23	410451703	Screw (8-16 x 3/4 in.).....	2
24	0131010210	Clamping Pad, Power Cord.....	1
25	0131010209	Switch Box.....	1
26	410031710	* Carriage Bolt (5/16-18 x 1/2 in.).....	1
27	0121010202-130	Cabinet.....	1
28	0121010221	Knob.....	1
29	0131010318	Blade Wrench.....	1
30	0134010331	Blade Wrench.....	1
31	0134010238	Knob Ring.....	1
32	0121010701	Power Cord.....	1
33	452070019	Switch With Key.....	1
34	410601001	* Screw (M4 x 20 mm).....	4
35	0101040203	Power Cord Pad.....	1
36	410561002	* Screw (M4 x 16 mm).....	2
37	0301030202	Power Cord Clamp.....	2
38	410451701	* Self Tapping Screw (8-16 x 1/2 in.).....	2
39	416090001	Pin (4.8 x 1/2 in.).....	4
40	0121010229	Knob.....	4
41	0121011302	Locking Pad.....	4
42	0101040201	Cabinet Pad.....	4
43	410161012	* Screw, Hex. Hd. (M6 x 20 mm).....	4
44	0121010225	Dust Bag Adaptor.....	1
45	410601003	* Screw (M4 x 10 mm).....	4
46	0121015002	Velcro Tape.....	2
47	412011109	* Washer (5.2 x 24 x 2T).....	2
48	0121010235	Power Cord Bushing.....	1
49	9121015330101	Name Plate.....	1
50	9121015330202	Warning Label.....	1
51	9121015335701	Knob Label, Leg.....	4
52	0121015001	Dust Bag.....	1
53	0101140903	* Hex Wrench (M5 x 75 mm).....	1
54	0121010232	Switch Key.....	1
55	410181001	* Screw (M4 x 7 mm).....	4
56	0121010321	Front Guard.....	1
57	410251018	* Bolt (M5 x 10 mm).....	1

*Standard Hardware Item - May Be Purchased Locally



CRAFTSMAN 10 in. TABLE SAW - MODEL NO. 315.218050

FIGURE A: RIP FENCE ASSEMBLY

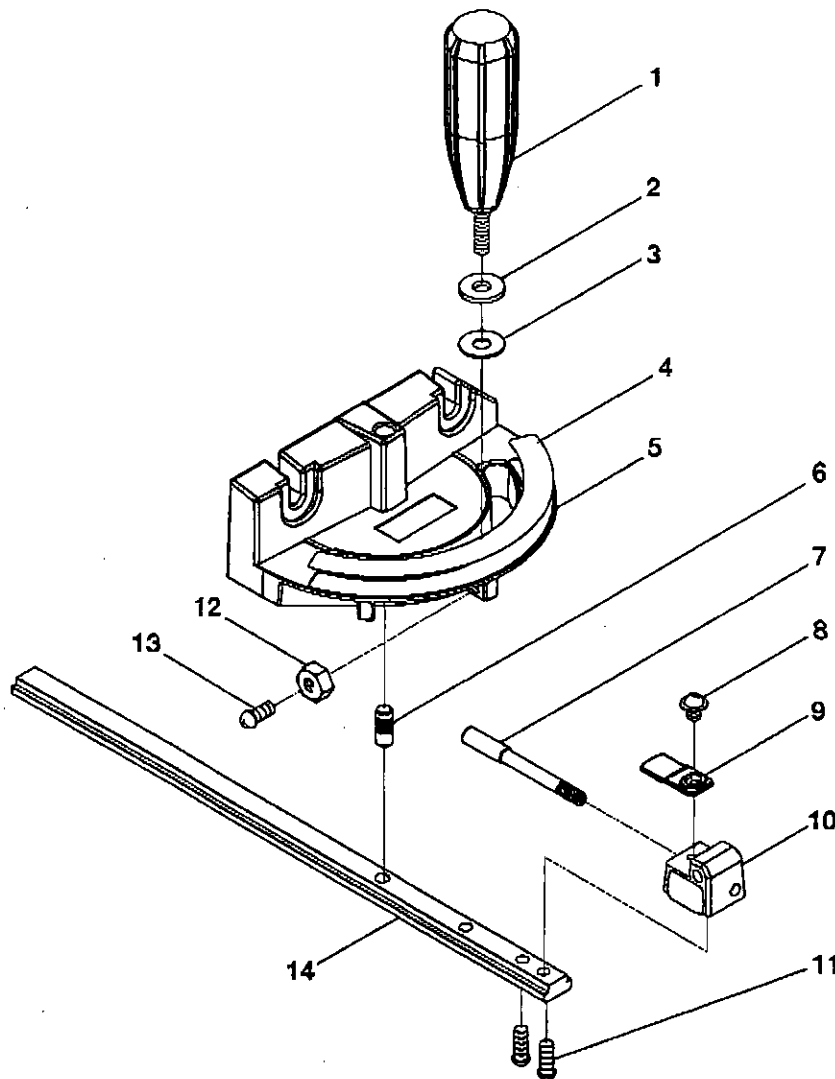


KEY NO.	PART NUMBER	DESCRIPTION	QTY.
1	411071001	Nylon Nut (M6)	1
2	412011030	* Washer (M6.5 x 16 x 1.5T)	1
3	0121010310	Rear Clamping Plate	1
4	0121010915	Compression Spring	1
5	412011030	* Washer (M6.4 x 16 x 1.5T)	1
6	0121011801	Rip Fence	1
7	410051001	Hex Screw, Truss Head (M5 x 15 mm)	2
8	412011030	* Washer (M6.4 x 16 x 1.5 T)	2
9	410541003	* Screw, Pan Head (M4 x 10 mm)	1
10	0121010207	Indicator	1
11	0121010106-126	Front Block	1
12	0121010917	Rod	1
13	0121010218	Clamping Handle	1
14	0134010241	Axle	1
15	0121010210	Ring Pad	2
16	410431701	* Screw, Hex Hd. (M5 x 12 mm)	2
17	0121010320	Front Clamping Plate	1
18	410131727	* Flat Head Screw (8-32 x 3/16 in.)	2
19	0121010233	Front Block Slider	1
20	0121010209	Rip Fence Slider	2
21	012101234	Front Block Slider	1
22	412011115	* Washer (D16 x 25 x 1.6T)	2
	A121010901	Rip Fence Assembly (Incl. 1-22)	1

*Standard Hardware Item - May Be Purchased Locally



FIGURE B: MITER GAUGE

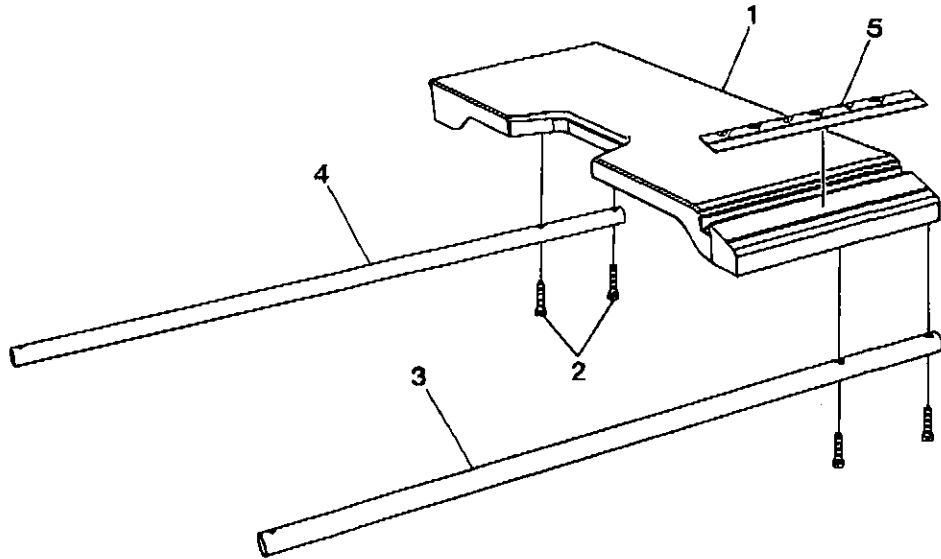


KEY NO.	PART NUMBER	DESCRIPTION	QTY.
1	0121010222	Handle.....	1
2	412012705	* Washer (1/4 in. x 16 x 1.5T)	1
3	412080702	Nylon Nut	1
4	9121015330302	Label	1
5	0131010109-126	Miter Gauge	1
6	0101010917	Center Pin (1/4 in.)	1
7	0101010918	Index Pin	1
8	0121010803	* Tapping Screw (M4 x 10 mm)	1
9	0131010329	Indicator (M3 x 12 mm).....	1
10	0121010204	Indicator Deck.....	2
11	410561004	Tapping Screw, Pan Hd. (M4 x 12 mm).....	2
12	411012704	* Hex Nut (3/16 in.)	3
13	410132734	* Screw, Pan Hd. (3/16-24 x 21.7 mm).....	3
14	0121011802	Rod.....	1
	A121010801	Miter Gauge Assembly (Incl. 1-14).....	1

*Standard Hardware Item - May Be Purchased Locally

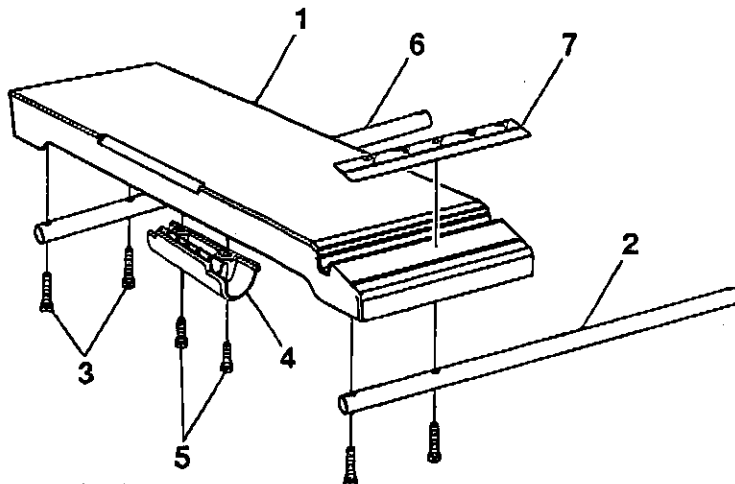


FIGURE C : RIGHT EXTENSION TABLE ASSEMBLY



KEY NO.	PART NUMBER	DESCRIPTION	QTY.
1	0121010103-126	Right Auxillary Table.....	1
2	410171710	* Self-Taping Screw (10-24 x 1 in.).....	4
3	0121010909	Front Rod	1
4	0121010910	Rear Rod	1
5	9131015331302	Scale Label	1
	A121013102	Right Extension Table Assembly (Incl. 1-5).....	1

FIGURE D: LEFT EXTENSION TABLE ASSEMBLY



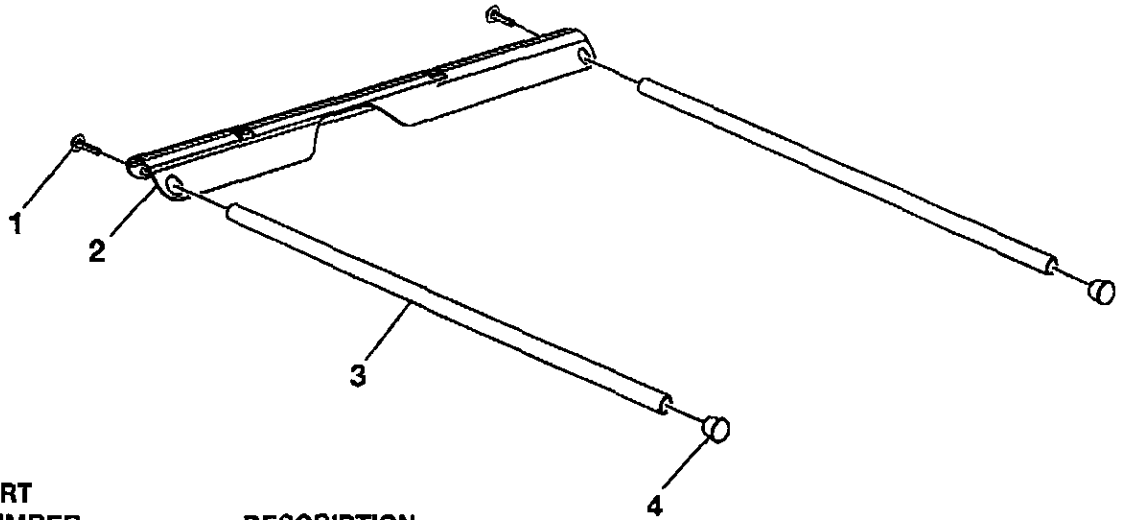
KEY NO.	PART NUMBER	DESCRIPTION	QTY.
1	0121010102-126	Left Auxillary Table	1
2	0121010907	Front Rod	1
3	410171710	* Self-Taping Screw (10-24 x 1 in.).....	4
4	0134010201	Handle.....	1
5	410171706	* Self-Taping Screw (10-24 x 1/2 in.).....	2
6	0121010908	Rear Rod	1
7	9121015331301	Scale Label	1
	A121013101	Left Extension Table Assembly (Incl. 1-7)	1

*Standard Hardware Item - May Be Purchased Locally



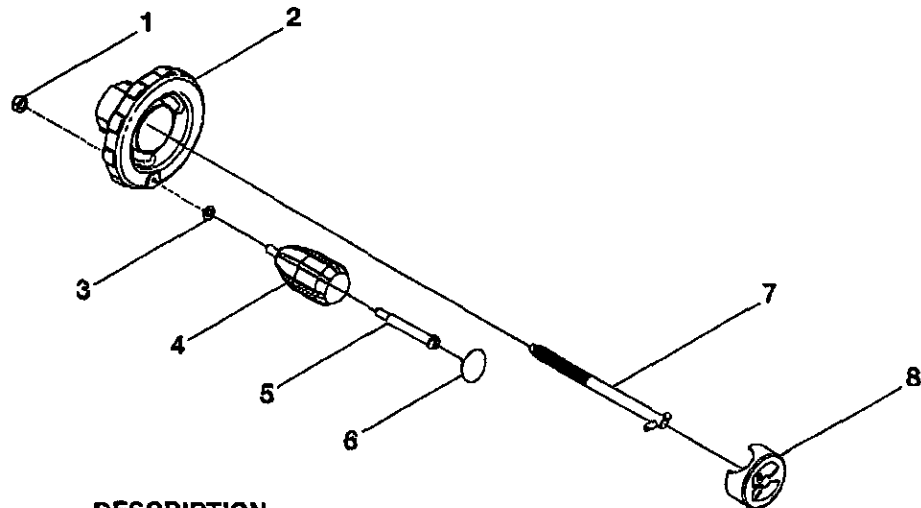
CRAFTSMAN 10 in. TABLE SAW - MODEL NO. 315.218050

FIGURE E: OUTFEED SUPPORT ASSEMBLY



KEY NO.	PART NUMBER	DESCRIPTION	QTY.
1	410551701	Screw w/Flat Washer, Pan Hd. (1/4-20 x 1/2 in.)	2
2	0121010308-58	Outfeed Support	1
3	0121010911	Rod	2
4	0121010217	Plug	2
	A121013901	Outfeed Support Assembly (Incl. 1-4)	1

FIGURE F: HANDWHEEL ASSEMBLY



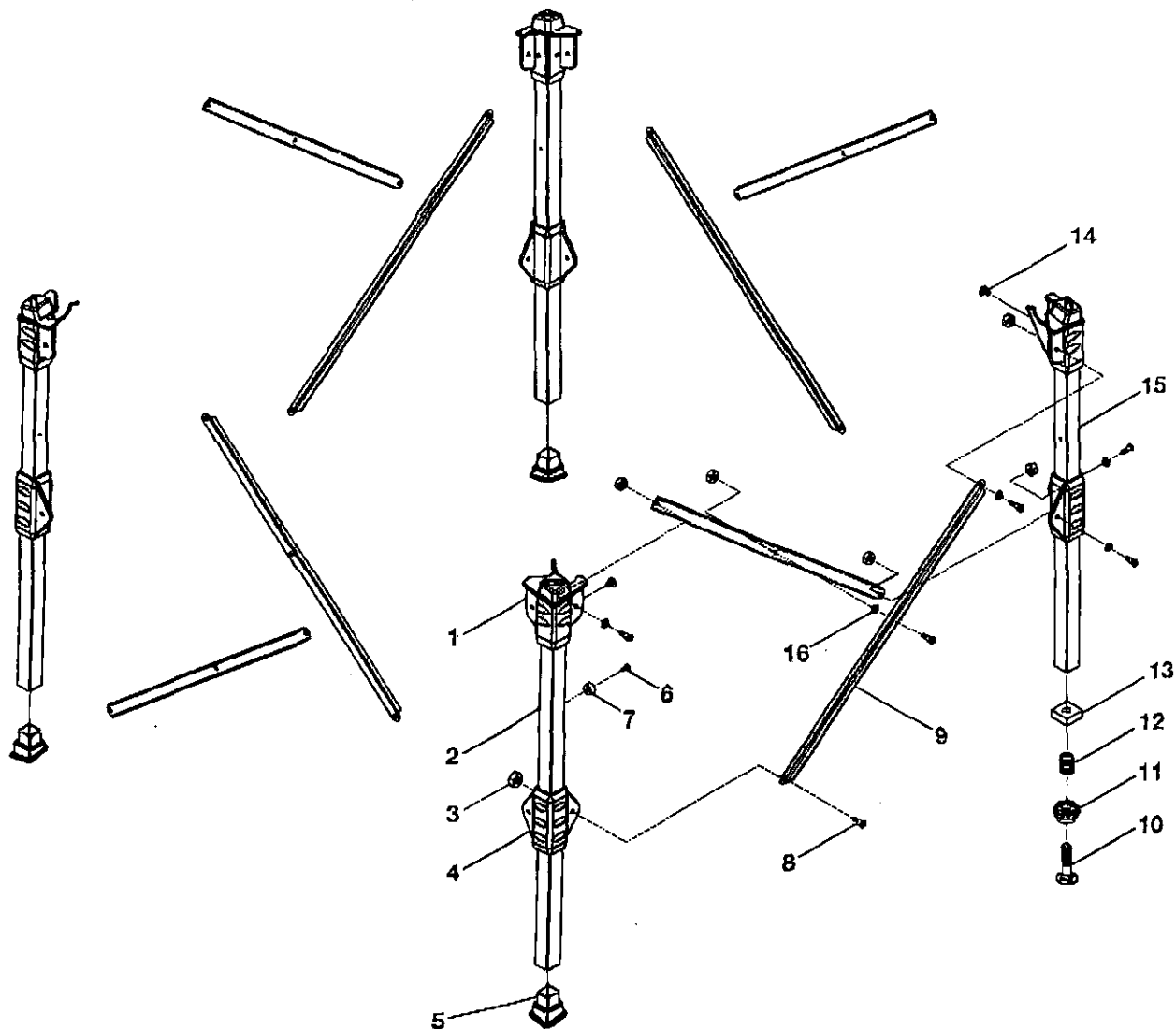
KEY NO.	PART NUMBER	DESCRIPTION	QTY.
1	0000110812	Nylon Nut (1/4 in.)	1
2	0134010221-130	Height/Bevel Adjusting Handwheel	1
3	412012041	Washer (M6.5 x 13 x 1.5T)	1
4	0121010223	Bevel Handle	1
5	0101140203	Screw	1
6	0121010224	End Cap	1
7	0121010913	Rod	1
8	0134010222	End Cap	1
	A121014001	Height Handwheel Assembly (Incl. 2,7-8)	1
	A121015201	Height/Bevel Adjusting Handwheel Assembly (Incl. 1,3-6)	1

*Standard Hardware Item - May Be Purchased Locally



CRAFTSMAN 10 IN. TABLE SAW - MODEL NO. 315.218050

FIGURE G: LEG STAND ASSEMBLY



KEY NO.	PART NUMBER	DESCRIPTION	QTY.
1	0121010203	Connector Bracket.....	1
2	0121010312-126	Leg Tube	3
3	411071003	Nylon Nut (M5)	20
4	0121010205	Leg Adaptor	4
5	0121010213	End Plug.....	3
6	410191001	* Screw (M4 x 10)	1
7	0121010228	Ring.....	1
8	0121010804	Screw	20
9	0121010305-126	Linkage.....	8
10	410031012	* Carriage Bolt (M12 x 75 mm)	1
11	0121010212	Front Level Adjusting Knob.....	1
12	0131010918	Spring.....	1
13	0121010918	* Square Nut (M12).....	1
14	410451016	* Screw, Pan Hd. (M6 x 10 mm)	4
15	0121010311-126	Leg Tube	1
16	0121010226	Linkage Ring	4
	A121011301	Leg Stand Assembly Incl. 1-16).....	1

*Standard Hardware Item - May Be Purchased Locally

Get it fixed, at your home or ours!

Your Home

For repair – in your home – of all major brand appliances, lawn and garden equipment, or heating and cooling systems, **no matter who made it, no matter who sold it!**

For the replacement parts, accessories and owner's manuals that you need to do-it-yourself.

For Sears professional installation of home appliances and items like garage door openers and water heaters.

1-800-4-MY-HOME® (1-800-469-4663)

Call anytime, day or night (U.S.A. and Canada)

www.sears.com www.sears.ca

Our Home

For repair of carry-in items like vacuums, lawn equipment, and electronics, call or go on-line for the location of your nearest **Sears Parts & Repair Center.**

1-800-488-1222

Call anytime, day or night (U.S.A. only)

www.sears.com

To purchase a protection agreement (U.S.A.) or maintenance agreement (Canada) on a product serviced by Sears:

1-800-827-6655 (U.S.A.)

1-800-361-6665 (Canada)

Para pedir servicio de reparación a domicilio, y para ordenar piezas:

1-888-SU-HOGARSM

(1-888-784-6427)

Au Canada pour service en français:

1-800-LE-FOYER^{MC}

(1-800-533-6937)

www.sears.ca



® Registered Trademark / ™ Trademark / SM Service Mark of Sears, Roebuck and Co.

® Marca Registrada / ™ Marca de Fábrica / SM Marca de Servicio de Sears, Roebuck and Co.

^{MC} Marque de commerce / ^{MD} Marque déposée de Sears, Roebuck and Co.

© Sears, Roebuck and Co.