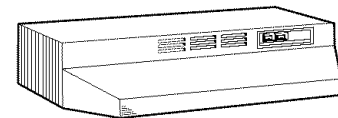


# Frigidaire

## ECONOMY RANGE HOOD INSTALLATION INSTRUCTIONS



F30WV SERIES  
HOODS



F24WR & F30WR  
SERIES HOODS

## READ AND SAVE THESE INSTRUCTIONS

**! INTENDED FOR DOMESTIC COOKING ONLY !**

### WARNING

**TO REDUCE THE RISK OF FIRE, ELECTRIC SHOCK, OR INJURY TO PERSONS, OBSERVE THE FOLLOWING:**

1. Use this unit only in the manner intended by the manufacturer. If you have questions, contact the manufacturer at the address or telephone number listed in the warranty.
2. Before servicing or cleaning unit, switch power off at service panel and lock the service disconnecting means to prevent power from being switched on accidentally. When the service disconnecting means cannot be locked, securely fasten a prominent warning device, such as a tag, to the service panel.
3. Installation work and electrical wiring must be done by a qualified person(s) in accordance with all applicable codes and standards, including fire-rated construction codes and standards.
4. Sufficient air is needed for proper combustion and exhausting of gases through the flue (chimney) of fuel burning equipment to prevent backdrafting. Follow the heating equipment manufacturer's guideline and safety standards such as those published by the National Fire Protection Association (NFPA), and the American Society for Heating, Refrigeration and Air Conditioning Engineers (ASHRAE), and the local code authorities.
5. When cutting or drilling into wall or ceiling, do not damage electrical wiring and other hidden utilities.
6. To reduce the risk of fire or electric shock, do not use this range hood with an additional speed control device.
7. Ducted fans must always be vented to the outdoors.
8. To reduce the risk of fire, use only metal ductwork.
9. Use with approved cord-connection kit only.
10. This unit must be grounded.

**TO REDUCE THE RISK OF A RANGE TOP GREASE FIRE:**

1. Never leave surface units unattended at high settings. Boilovers cause smoking and greasy spillovers that may ignite. Heat oils slowly on low or medium settings.
2. Always turn hood ON when cooking at high heat or when cooking flaming foods.
3. Clean ventilating fans frequently. Grease should not be allowed to accumulate on fan or filter.
4. Use proper pan size. Always use cookware appropriate for the size of the surface element.

### WARNING

**TO REDUCE THE RISK OF INJURY TO PERSONS IN THE EVENT OF A RANGE TOP GREASE FIRE, OBSERVE THE FOLLOWING:\***

1. SMOTHER FLAMES with a close-fitting lid, cookie sheet, or metal tray, then turn off the burner. BE CAREFUL TO PREVENT BURNS. If the flames do not go out immediately, EVACUATE AND CALL THE FIRE DEPARTMENT.
2. NEVER PICK UP A FLAMING PAN - You may be burned.
3. DO NOT USE WATER, including wet dishcloths or towels - a violent steam explosion will result.
4. Use an extinguisher ONLY if:
  - A. You know you have a Class ABC extinguisher and you already know how to operate it.
  - B. The fire is small and contained in the area where it started.
  - C. The fire department is being called.
  - D. You can fight the fire with your back to an exit.

\* Based on "Kitchen Fire Safety Tips" published by NFPA.

### CAUTION

1. For general ventilating use only. Do not use to exhaust hazardous or explosive materials and vapors.
2. To avoid motor bearing damage and noisy and/or unbalanced impellers, keep drywall spray, construction dust, etc. off power unit.
3. For best capture of cooking impurities, your range hood should be mounted 18-24" above the cooking surface.
4. Please read specification label on product for further information and requirements.

**INSTALLER: Leave This Manual With Homeowner.  
HOMEOWNER: Use and Care Information on Page 5.**

# TOOLS AND MATERIALS REQUIRED

- ❑ Drill, electric or ratchet drive
- ❑ 1/8" Drill bit for drilling pilot holes
- ❑ 1-1/4" wood bit for drilling electrical wiring access hole
- ❑ One straight blade and one phillips head screwdriver
- ❑ Pliers
- ❑ Pencil and ruler and/or tape measure
- ❑ Saber saw or keyhole saw for cutting 1" x 2" wood strips to length and cutting wall or cabinet openings
- ❑ Caulking, metal snips, duct tape, duct (with elbows and transition, if necessary) and roof or wall cap, as required
- ❑ Electrical wiring and supplies of type to comply with local codes

The following materials are required only for installations on recessed bottom kitchen cabinets:

- ❑ Two 1" x 2" x 12" (approximate length) wood strips (purchase locally)
- ❑ Four 1-1/4" long flat head wood screws (purchase locally)

# PLANNING DUCTWORK INSTALLATION

(This section for F30WV hoods only. F30WR and F24WR hoods skip this section and go on to "Prepare the Hood")

Begin planning ductwork by deciding where the duct will run between the range hood and the outside. For best performance, use the shortest possible duct run and a minimum number of elbows. There are several choices shown - FIGS. A - F below.

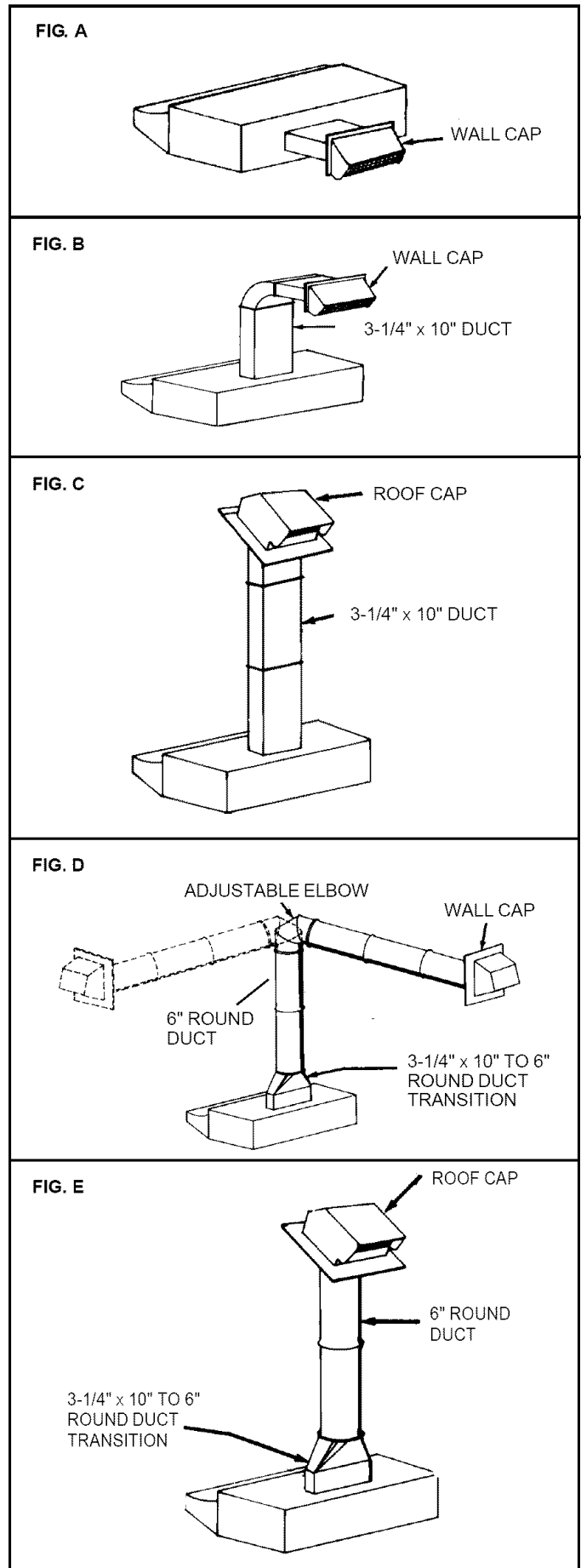
**FIG. A.** Ducting directly through the wall (for range hoods mounted on an exterior wall). Shown are two ways to duct through an outside wall. If a wall cap is used directly off the back of the hood, special care must be taken to make sure that the damper in the damper/duct connector on the hood and damper in the wall cap do not interfere with each other when the hood is operating. This could result in either inadequate air delivery or backdrafts. If this condition does exist, remove the hood damper flap. Sometimes when using a wall cap it is easier to duct vertically and then use an elbow as shown in **FIG. B**.

In more complex ducting situations, a 3-1/4" x 10" rectangular ducting range hood (F30WV hood) can be converted to a round duct by means of a transition.

**FIG. C.** Ducting straight up through the roof using 3-1/4" x 10" rectangular duct (for single story installations - F30WV hood only).

**FIG. D.** Ducting between the ceiling joists (for multi-story installations) or through the soffit space above the cabinets (where the soffit connects to an outside wall).

**FIG. E.** Straight up through the roof using 6" round duct (for single-story installations).



# PREPARE THE HOOD

- Unpack hood and check contents. You should receive:
  - Aluminum Filter (F30WV hood only)
  - 1 -3-1/4" x 10" Damper/Duct Connector (mounted inside of hood for shipping only) (F30WV hood only)
  - 1 - Ductree filter (F24WR and F30WR hoods only)
- Remove wiring box cover. Under cover find:
  - 1 -Plastic Bag containing loose mounting hardware
- Remove top or rear electrical knockout. (FIG. 2)
- (F30WV hood **ONLY**) Remove duct knockout. Insert screwdriver under edge of knockout, break tabs, and peel knockout back with pliers. (FIG. 3)
- (F30WV hood **ONLY**) Install damper/duct connector over opening made in STEP 4. Use #8B sheet metal screws provided. (FIG. 3)

# PREPARE THE INSTALLATION LOCATION

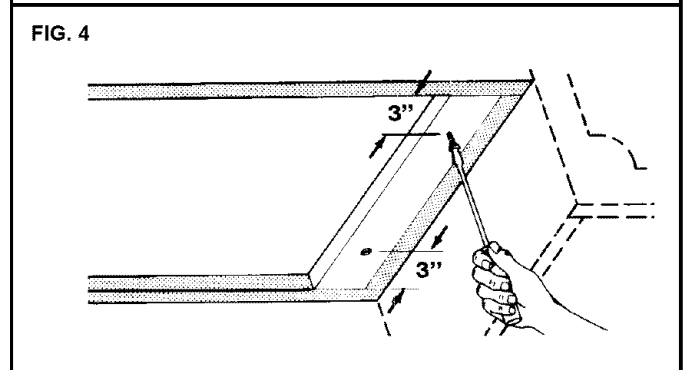
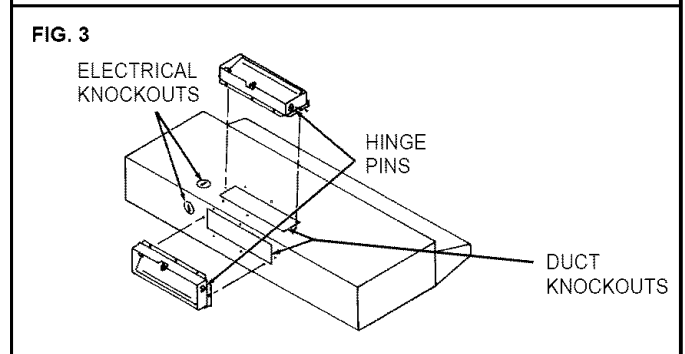
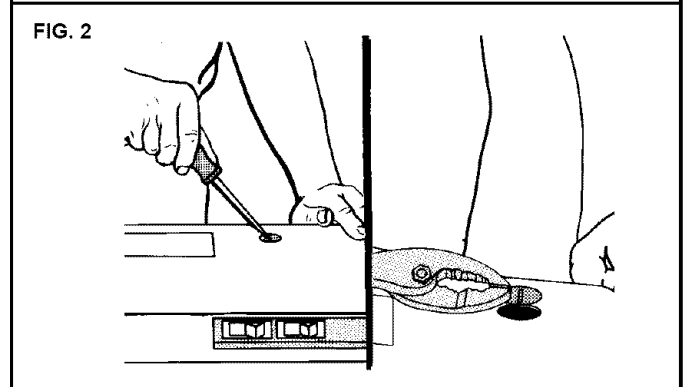
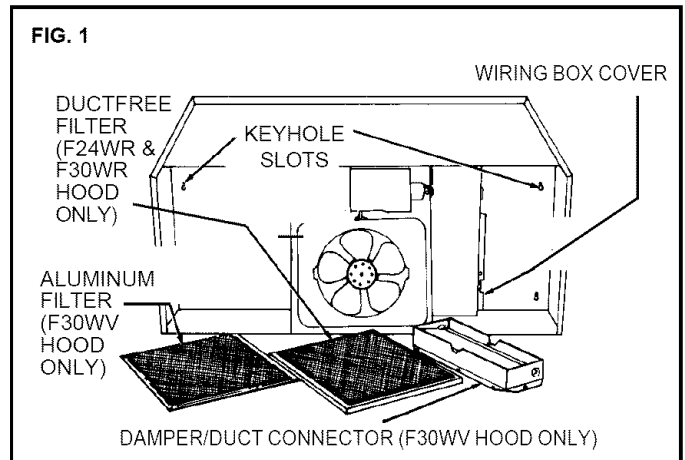
Omit STEP 1 if hood will be installed under cabinets with flush bottom.

- (For installation on recessed bottom cabinets only) Attach a wood filler strip at each side of recessed area under cabinet. Use two 1" x 2" strips cut to length. If recess is deeper than 1" use thicker strips. Attach strips with 1-1/4" wood screws, 3" from each end of strip. See FIG. 4.
- Measure and mark the following (FIGS. 5A & 5B):
  - Electrical wiring opening in wall or cabinet.
  - Duct opening in wall or cabinet (F30WV hood **ONLY**).

**WARNING**

**WHEN CUTTING OR DRILLING INTO WALL OR CABINET, BE CAREFUL NOT TO CUT EXISTING ELECTRICAL WIRING.**

- Use 1-1/4" bit to drill opening for electric wiring.
- Cut out duct opening in wall or cabinet with saber saw or keyhole saw.
- Center hood in installation opening and trace keyhole slots onto wood filler strips on cabinet bottom.
- Screw four #10 x 7/8 wood screws into exact center of narrow end of traced keyhole slots. Allow 3/8" of screws to project, so that hood can be fitted into place later.





# USE AND CARE

## SWITCHES

The fan and light are each controlled by a rocker switch. The light switch has two positions, "ON" and "OFF." The fan switch has three positions - "HIGH," "LOW" and "OFF." ("OFF" is the middle position.)

## FILTERS

### F30WV Hood Only:

Remove aluminum filter by turning filter retainer to one side. (FIG. 13) Filter should be washed once a month in a hot detergent solution. Aluminum filters are dishwasher safe. When installing filter, make sure that filter slides under retaining tabs on back of fan housing. Turn filter retainer so that arrows on retainer point toward front and back of hood.

### F24WR & F30WR Hoods Only:

The F24WR AND F30WR hoods are equipped with a ductfree filter. Remove filter by turning filter retainer to one side. (FIG. 13) The ductfree filter is not washable, and will last up to twelve months with normal use. Replace the filter when colored side becomes noticeably dirty or discolored.

When installing filter, make sure that filter slides under retaining tabs on back of fan housing. MAKE SURE THAT COLORED SIDE OF FILTER IS NEXT TO FAN WHEN FILTER IS INSTALLED. Turn filter retainer so that arrows on retainer point toward front and back of hood.

### WARNING

**ALWAYS DISCONNECT ELECTRIC POWER BEFORE SERVICING RANGE HOOD.**

## FAN ASSEMBLY

Remove filter. Remove two screws holding motor bracket to range hood, and unplug fan assembly. Be careful not to allow fan assembly to drop when screws are removed. (FIG. 14)

## CLEANING

Clean your hood with a mild detergent suitable for painted surfaces. DO NOT USE ABRASIVE CLOTH, STEEL WOOL PADS OR SCOURING POWDERS.

Fan assembly may be vacuumed. Fan assembly is permanently lubricated, and never needs oiling.

### HOW TO AVOID A COMMON RANGE-TOP GREASE FIRE

- Your range hood provides a protective barrier between the cooking surface and the cabinets.
- Keep fan, filters and grease laden surfaces CLEAN according to instructions.
- Always turn hood ON when cooking at high heat to keep the cooking area and the hood cooler.
- Use high heat settings only when necessary.
- Never leave cooking surface unattended. Boil-over causes smoking and greasy spillovers that may ignite.
- Always use adequate-sized utensils.
- If preparing flaming foods, such as Cherries Jubilee, always turn hood ON to HIGH to prevent a high heat situation which can cause damage or fire.

### HOW TO EXTINGUISH A COMMON RANGE-TOP GREASE FIRE

- Never pick up a flaming pan. If dropped, flames can spread quickly.
- DO NOT USE WATER! A violent steam explosion may result. Wet dishcloths or towels are also dangerous.
- Smother flames with a close fitting lid, cookie sheet or metal tray.
- Flaming grease can also be extinguished with baking soda or a multi-purpose dry chemical extinguisher.
- Turn off surface units - if you can do so without getting burned.

FIG. 9

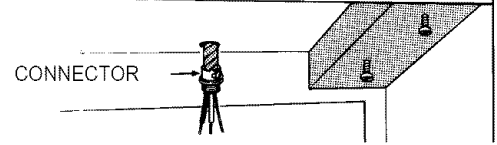


FIG. 10

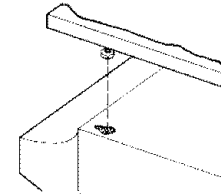
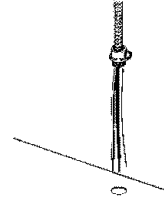


FIG. 11

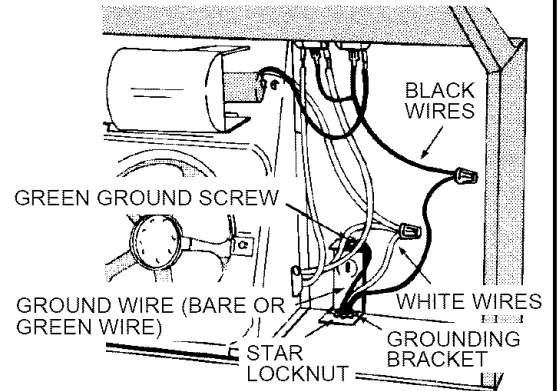


FIG. 12

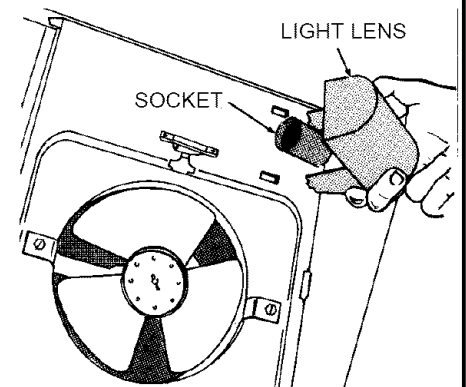


FIG. 13

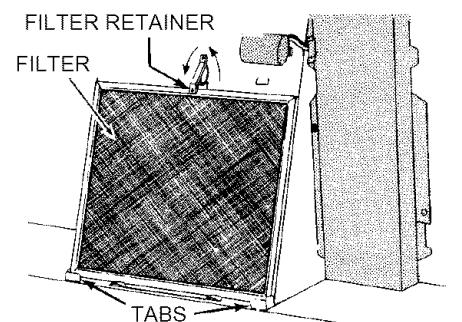
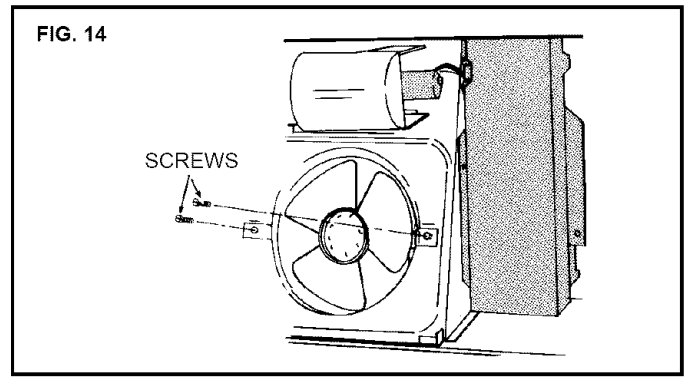


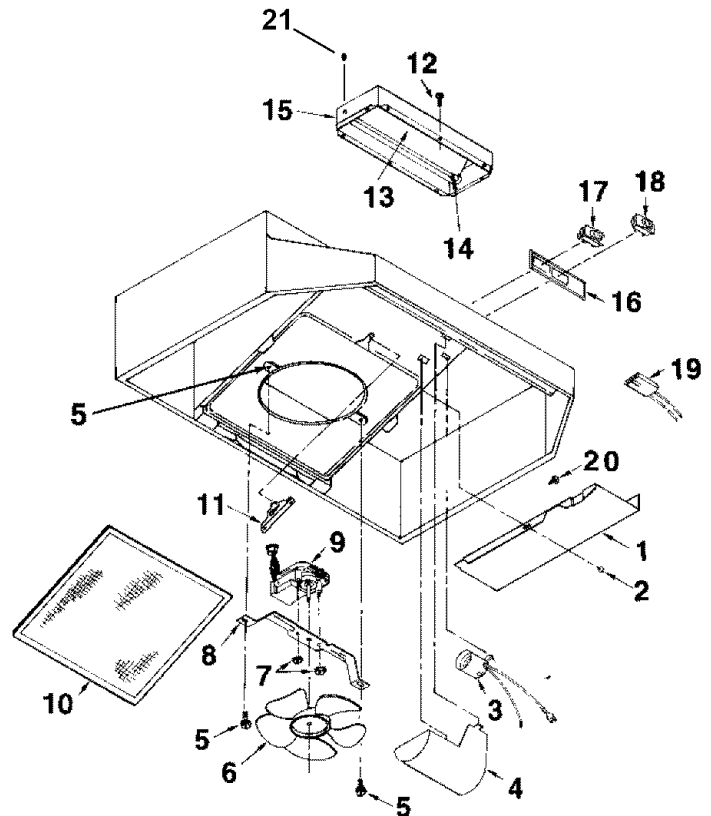
FIG. 14



## SERVICE PARTS

### F30WV SERIES 3-1/4" X 10" DUCTED HOOD

KEY NO.	DESCRIPTION
1	Outlet Box Cover
2	#8 x 3/8 Sheet Metal Screw*
3	Bulb Holder with Wires
4	Light Lens
5	Screw/Nut Kit (Includes 2 - #10-16 x .500 screws and 2 - #10-16 sheet metal nuts)
6	Fan Blade
7	#6-32 Locking Nuts* (2 Required)
8	Motor Mounting Bracket
9	Motor Assembly (Includes Key Nos. 6, 7, & 8)
10	Aluminum Filter
11	Filter Retainer
12	#8B x 1/4 Hex Head Sheet Metal Screws* (2 Required)
13	Damper Flap
14	Damper Bushing
15	Damper Assembly (Includes Key Nos. 13, 14 and 21)
16	Nameplate - Black
17	Nameplate - White
18	2-Speed Motor Switch - Black
19	2-Speed Motor Switch - White
20	Light Switch - Black
21	Light Switch - White
19	Motor Receptacle with Wires
20	#10-32 x 1/2 Green Ground Screw*
21	Damper Bumper
**	Light Bulb, 75 Watt (not included)*



Order service parts by "KEY NO."

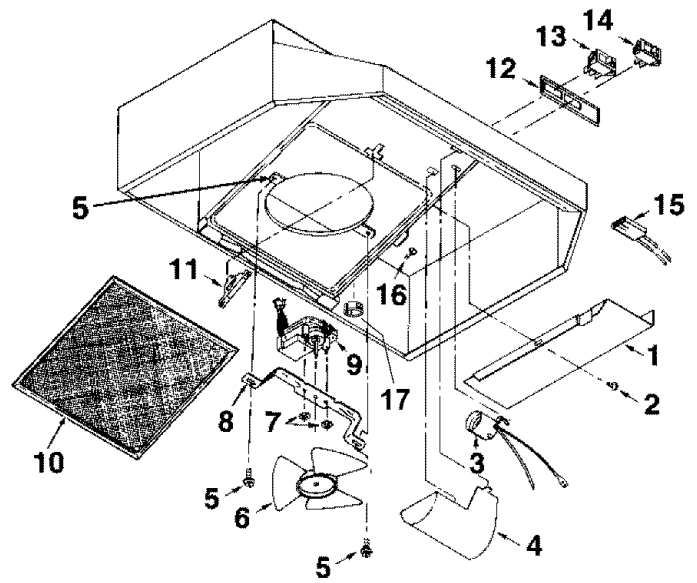
\* Standard Hardware. May be purchased locally.

\*\* Not Illustrated.

# SERVICE PARTS

## F30WR & F24WR SERIES NON-DUCTED HOOD

KEY NO.	DESCRIPTION
1	Outlet Box Cover
2	#8 x 3/8 Sheet Metal Screw*
3	Bulb Holder with Wires
4	Light Lens
5	Screw/Nut Kit (Includes 2 - #10-16 x .500 screws and 2 - #10-16 sheet metal nuts)
6	Fan Blade
7	#6-32 Locking Nuts* (2 Required)
8	Motor Mounting Bracket
9	Motor Assembly (Includes Key Nos. 6, 7, & 8)
10	Ductfree Filter
11	Filter Retainer
12	Nameplate - Black Nameplate - White Nameplate - Bisque
13	2-Speed Motor Switch - Black 2-Speed Motor Switch - White 2-Speed Motor Switch - Bisque
14	Light Switch - Black Light Switch - White Light Switch - Bisque
15	Motor Receptacle with Wires
16	#10-32 x 1/2 Green Ground Screw*
17	Grommet
**	Light Bulb, 75 Watt (not included)*



Order service parts by "KEY NO."

\* Standard Hardware. May be purchased locally.

\*\* Not Illustrated.

# Major Appliance Warranty Information

Your appliance is covered by a **one year limited warranty**. For one year from your original date of purchase, Electrolux will pay all costs for repairing or replacing any parts of this appliance that prove to be defective in materials or workmanship when such appliance is installed, used, and maintained in accordance with the provided instructions.

## Exclusions

### This warranty does not cover the following:

1. Products with original serial numbers that have been removed, altered or cannot be readily determined.
2. Product that has been transferred from its original owner to another party or removed outside the USA or Canada.
3. Rust on the interior or exterior of the unit.
4. Products purchased "as-is" are not covered by this warranty.
5. Food loss due to any refrigerator or freezer failures.
6. Products used in a commercial setting.
7. Service calls which do not involve malfunction or defects in materials or workmanship, or for appliances not in ordinary household use or used other than in accordance with the provided instructions.
8. Service calls to correct the installation of your appliance or to instruct you how to use your appliance.
9. Expenses for making the appliance accessible for servicing, such as removal of trim, cupboards, shelves, etc., which are not a part of the appliance when it is shipped from the factory.
10. Service calls to repair or replace appliance light bulbs, air filters, water filters, other consumables, or knobs, handles, or other cosmetic parts.
11. Surcharges including, but not limited to, any after hour, weekend, or holiday service calls, tolls, ferry trip charges, or mileage expense for service calls to remote areas, including the state of Alaska.
12. Damages to the finish of appliance or home incurred during installation, including but not limited to floors, cabinets, walls, etc.
13. Damages caused by: services performed by unauthorized service companies; use of parts other than genuine Electrolux parts or parts obtained from persons other than authorized service companies; or external causes such as abuse, misuse, inadequate power supply, accidents, fires, or acts of God.

## DISCLAIMER OF IMPLIED WARRANTIES; LIMITATION OF REMEDIES

CUSTOMER'S SOLE AND EXCLUSIVE REMEDY UNDER THIS LIMITED WARRANTY SHALL BE PRODUCT REPAIR OR REPLACEMENT AS PROVIDED HEREIN. CLAIMS BASED ON IMPLIED WARRANTIES, INCLUDING WARRANTIES OF MERCHANTABILITY OR FITNESS FOR A PARTICULAR PURPOSE, ARE LIMITED TO ONE YEAR OR THE SHORTEST PERIOD ALLOWED BY LAW, BUT NOT LESS THAN ONE YEAR. ELECTROLUX SHALL NOT BE LIABLE FOR CONSEQUENTIAL OR INCIDENTAL DAMAGES SUCH AS PROPERTY DAMAGE AND INCIDENTAL EXPENSES RESULTING FROM ANY BREACH OF THIS WRITTEN LIMITED WARRANTY OR ANY IMPLIED WARRANTY. SOME STATES AND PROVINCES DO NOT ALLOW THE EXCLUSION OR LIMITATION OF INCIDENTAL OR CONSEQUENTIAL DAMAGES, OR LIMITATIONS ON THE DURATION OF IMPLIED WARRANTIES, SO THESE LIMITATIONS OR EXCLUSIONS MAY NOT APPLY TO YOU. THIS WRITTEN WARRANTY GIVES YOU SPECIFIC LEGAL RIGHTS. YOU MAY ALSO HAVE OTHER RIGHTS THAT VARY FROM STATE TO STATE.

## If You Need Service

Keep your receipt, delivery slip, or some other appropriate payment record to establish the warranty period should service be required. If service is performed, it is in your best interest to obtain and keep all receipts. Service under this warranty must be obtained by contacting Electrolux at the addresses or phone numbers below.

This warranty only applies in the USA and Canada. In the USA, your appliance is warranted by Electrolux Major Appliances North America, a division of Electrolux Home Products, Inc. In Canada, your appliance is warranted by Electrolux Canada Corp. Electrolux authorizes no person to change or add to any obligations under this warranty. Obligations for service and parts under this warranty must be performed by Electrolux or an authorized service company. Product features or specifications as described or illustrated are subject to change without notice.

**USA**  
**1.800.944.9044**  
Electrolux Major Appliances  
North America  
P.O. Box 212378  
Augusta, GA 30907

**Canada**  
**1.800.668.4606**  
Electrolux Canada Corp.  
5855 Terry Fox Way  
Mississauga, Ontario, Canada  
L5V 3E4  
99043804A