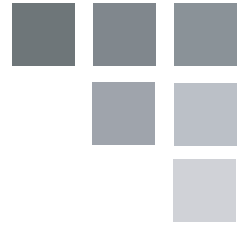




OWNER'S USE AND CARE GUIDE  
GUIDE D'UTILISATION ET D'ENTRETIEN

AIR CONDITIONER  
CLIMATISEUR

MODEL • MODÈLE  
DAC100ECB4GDB





**1-800-263-2629  
(1-800-26-DANBY)**

**DO NOT RETURN THIS UNIT TO THE RETAILER  
WITHOUT FURTHER INSTRUCTIONS**

Dear valued customer, we hope your Danby product purchase fulfills all your requirements. Your satisfaction is our priority!  
Please contact us at our toll free consumer service number for any inquiries you may have about your new unit.

**NE PAS RETOURNER CET APPAREIL CHEZ LE  
DÉTAILLANT SANS CONSIGNES SUPPLÉMENTAIRES**

Cher(ère) client(e) important(e), nous espérons que votre produit Danby répond à tous vos besoins. Votre satisfaction est notre priorité!  
Veuillez nous contacter au numéro gratuit de service après-vente, si vous avez des questions quelconques à propos de votre nouvel appareil.



TO OBTAIN WARRANTY SERVICE YOU MUST PROVIDE A VALID PROOF OF PURCHASE. PLEASE STAPLE YOUR RECEIPT TO THIS PAGE FOR FUTURE REFERENCE.

---

POUR OBTENIR LE SERVICE SUR GARANTIE, VOUS DEVEZ FOURNIR UNE PREUVE D'ACHAT VALIDE. VEUILLEZ AGRAFER VOTRE REÇU À CETTE PAGE POUR RÉFÉRENCE FUTURE.

---

#### **IMPORTANT - GROUNDING METHOD**

This product is factory equipped with a power supply cord that has a three-pronged grounded plug. It must be plugged into a mating grounding type receptacle in accordance with the National Electrical Code and applicable local codes and ordinances. If the circuit does not have a grounding type receptacle, it is the responsibility and obligation of the customer to exchange the existing receptacle in accordance with the National Electrical Code and applicable local codes and ordinances. The third ground prong should not, under any circumstances, be cut or removed. Never use the cord, the plug or the appliance when they show any sign of damage. Do not use your appliance with an extension cord unless it has been checked and tested by a qualified electrician or electrical supplier.

#### **IMPORTANT - MÉTHODE POUR LA MISE À LA TERRE**

Ce produit arrive d'origine avec un cordon d'alimentation équipé d'une prise à trois fiches. Il doit être branché dans une prise avec une fiche de mise à la terre en conformité avec le Code national de l'électricité et les codes et règles locaux applicables. Si la prise murale n'a pas de mise à la terre, il est de la responsabilité et l'obligation du client de changer la prise existante pour la rendre conforme au Code national de l'électricité et aux codes et règles locaux applicables. La fiche de mise à la terre ne doit pas, en aucune circonstance, être coupée ou retirée. Si vous apercevez des signes de dommage, n'utilisez jamais le cordon d'alimentation, la prise ou l'appareil. N'utilisez jamais l'appareil avec une rallonge sauf si elle a été vérifiée et testée par un électricien qualifié ou un fournisseur de matériel électrique.

# CONTENTS

## TABLE DES MATIÈRES

### AIR CONDITIONER

Owner's Use and Care Guide .....1-14

- Welcome
- Important Safety Information
- Features
- Installation Instructions
- Operation Instructions
- Care and Maintenance
- Troubleshooting
- Warranty

### CLIMATISEUR

Guide d'utilisation et d'entretien.....14-28

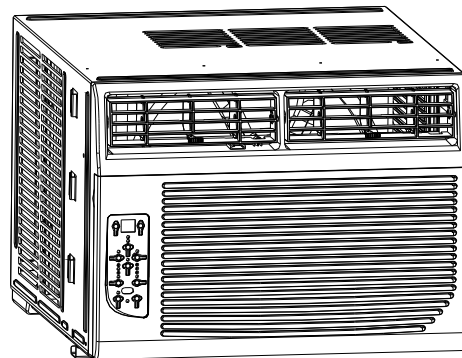
- Bienvenue
- Consignes de sécurité importantes
- Caractéristiques
- Consignes d'installation
- Consignes d'utilisation
- Soins et entretien
- Dépannage
- Garantie

### CAUTION:

Read and follow all safety rules and operating instructions before first use of this product.

### AVERTISSEMENT :

Veillez lire attentivement les consignes de sécurité et les instructions d'utilisation avant l'utilisation initiale de ce produit.



Model • Modèle  
DAC100ECB4GDB

# WELCOME

Welcome to the Danby family. We are proud of our quality products, and we believe in dependable service, like you will find in this Owner's Use and Care Guide, and like you will receive from our friendly customer service department. Best of all, you will experience these values each and every time you use your Danby appliance. That is important, because your new appliance will be a part of your family for a long time.

For easy reference, we suggest you attach a copy of your sales slip/receipt to this page, along with the following information, located on the manufacturer's nameplate on the right side of the unit above the powercord.

**Note the information below; you will need this information to obtain service under warranty. To receive service, you must provide the original receipt.**

**NOTE: THIS UNIT IS NOT DESIGNED FOR "THROUGH-THE-WALL" INSTALLATION.**

Model No: \_\_\_\_\_

Serial No: \_\_\_\_\_

Date Purchased: \_\_\_\_\_

## NEED HELP?

Before you call for service, here are a few things you can do to help us serve you better:

**Read this Owner's Use and Care Guide:**

It contains instructions to help you use and maintain your appliance properly.

**If you received a damaged appliance:**

Immediately contact the retailer (or builder) that sold you the appliance.

**Save time and money:**

Check the Troubleshooting section at the end of the guide before calling. This section helps you solve common problems that may occur.

If you do need service, you can relax, knowing help is only a phone call away.



1-800-26-**Danby**  
(1-800-263-2629)

## WARNING

**Improper connection of the grounding plug can result in risk of fire, electric shock and/or injury to persons associated with the appliance. Check with a qualified service representative if in doubt that the appliance is properly grounded.**



# Important Safety Information


READ AND FOLLOW ALL SAFETY INSTRUCTIONS

**FOR YOUR SAFETY:** Read these instructions carefully before operating the unit.

## ELECTRICAL SPECIFICATIONS

1. All wiring must comply with local and national electrical codes and must be installed by a qualified electrician. If you have any questions regarding the following instructions, contact a qualified electrician.
2. Check available power supply and resolve any wiring problems BEFORE installing and operating this unit.
3. This 115V air conditioner uses 7.5 or less nameplate amps and may be used in any properly wired, general-purpose household receptacle. See **Table 1** for the specifications for the individual branch circuit.
4. For your safety and protection, this unit is grounded through the powercord plug when plugged into a matching wall outlet. If you are not sure whether your wall outlet is properly grounded, please consult a qualified electrician.
5. The wall outlet must match the 3-prong plug on the service cord supplied with the unit. DO NOT use plug adapters. See **Table 2** for receptacle and fuse information.
6. The rating plate on the unit contains electrical and other technical data. The rating plate is located on the right side of the unit, above the powercord.

TABLE 1 DAC100ECB4GDB	
Suggested Individual Branch Circuit	
Nameplate Amps 7.5	*AWG Wire Size 14
AWG- American Wire Gauge *Based on copper wire at 60°C temperature rating	

TABLE 2 Receptacle and Fuse Types	
Rated Volts	125
Amps	15
Wall Outlet	
Fuse Size	15
Time Delay Fuse (or Circuit Breaker)	Plug Type



## Important Safety Information

READ AND FOLLOW ALL SAFETY INSTRUCTIONS

**FOR YOUR SAFETY:** Read these instructions carefully before operating the unit.

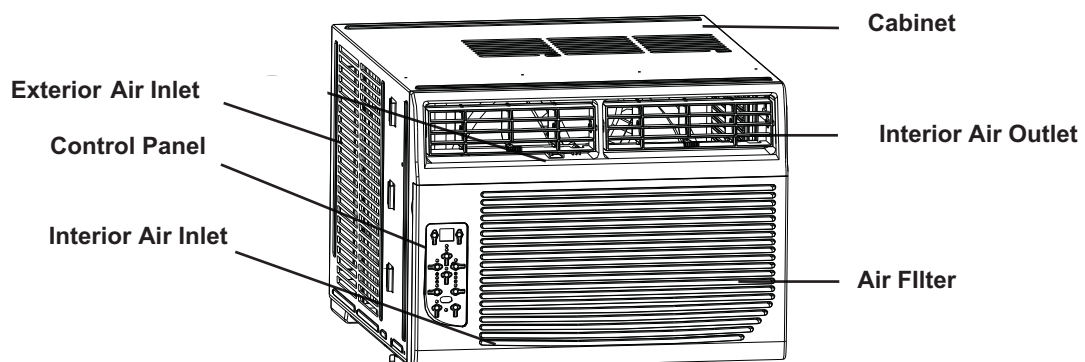
## ENERGY SAVING TIPS

Your appliance is designed to be highly efficient in energy savings. Follow these recommendations for greater efficiency.

1. Select a thermostat setting that suits your comfort needs and leave at that chosen setting.
2. The air filter is very efficient in removing airborne particles. Keep the air filter clean at all times (usually cleaned every 2 weeks depending on indoor air quality).
3. Use drapes, curtains or shades to keep direct sunlight from penetrating and heating the room, but do not allow drapes or curtains to obstruct the air flow around the unit.
4. Start your air conditioner before the outdoor air becomes hot, to avoid an initial period of discomfort while the unit is cooling the room.
5. When outdoor temperatures are cool enough, use the Fan Mode setting. This circulates indoor air, providing some cooling comfort, and uses less electricity than operating on a Cooling setting.



## FEATURES





# INSTALLATION INSTRUCTIONS



## ELECTRIC SHOCK HAZARD

To avoid the possibility of personal injury, disconnect power to the unit before installing or servicing.

**NOTE:** Your Room Air Conditioner is designed for easy installation in a single or double-hung window. This unit is NOT designed for vertical (slider type) windows and/or through-the-wall applications.

## TOOLS NEEDED FOR INSTALLATION:

- Screwdrivers: Phillips and flat head.
- Power Drill: 1/8in. (3.2mm) diameter drill bit
- Pencil
- Measuring Tape
- Scissors
- Carpenter's Level

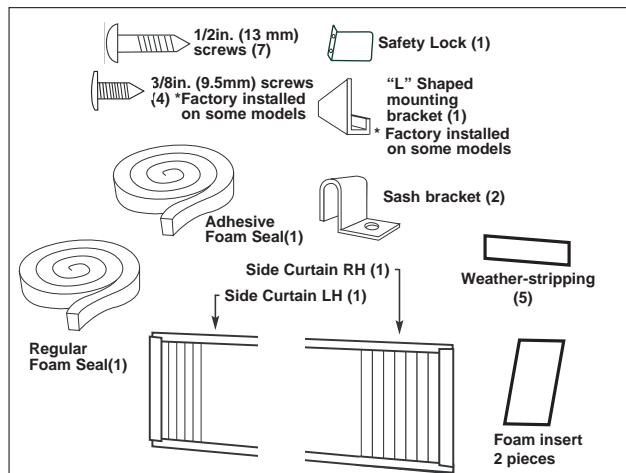
**NOTE:** Save the shipping carton and packing materials for future storage or transportation. From the carton, remove the plastic bag containing the installation hardware kit necessary for the installation of your air conditioner. Please check the contents of the hardware kit against the corresponding model check list, prior to installation of the unit. See **Fig. 1**.

CAUTION

Because the compressor is located on the controls side of the unit (left side), this side will be heavier and more awkward to manipulate. Inadequate support on the control side of the unit can result in personal injury and damage to your unit and property. Therefore, it is recommended that you have someone assist you during the installation of this unit.

## INSTALLATION HARDWARE

Fig. 1





# INSTALLATION INSTRUCTIONS

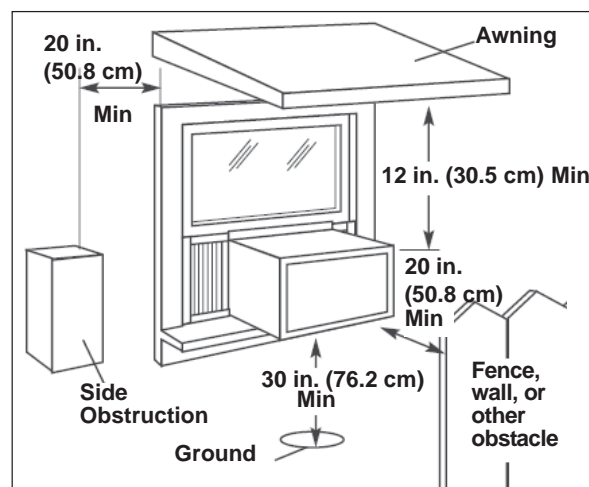
## LOCATION

1. This room air conditioner is designed to fit easily into a single or double hung window. However, since window designs vary, it may be necessary to make some modifications for safe, proper installation.
2. Make sure window and frame are structurally sound and free from dry and rotted wood.
3. For maximum efficiency, install the air conditioner on a side of the house or building which favours more shade than sunlight. If the unit is in direct sunlight, it is advisable to provide an awning over the unit.
4. Provide sufficient clearance around the cabinet to allow for ample air circulation through the unit (**See Fig. 2**). The rear of the unit should be outdoors. It should not be in a garage, or inside a building. Keep unit as far away as possible from obstacles/obstructions and at least 30 in. (76 cm) above the floor or ground. Curtains and other objects within the room should be prevented from blocking the air flow.
5. Be certain that the proper electrical outlet is within reach of the installation. Use only a single outlet circuit rated at 15 amps. All wiring should be in accordance with local and national electrical codes.
6. DO NOT install unit where leakage of combustible gas is suspected. Your air conditioner may fail to operate in air containing oils (including machine oils), sulfide gas, near hot springs, etc.

**NOTE:** Your unit is designed to evaporate condensation under normal conditions. However, under extreme humidity conditions, excess condensation may cause basepan to overflow to the outside. The unit should be installed where condensation run-off cannot drip on pedestrians or neighbouring properties.

**NOTE:** It is normal for your unit to drip a small amount of water, especially on excessively humid days.

**Fig. 2**





# INSTALLATION INSTRUCTIONS

## ASSEMBLY AND INSTALLATION

### 1. Assembly of the upper channel to the cabinet (factory installed on some units).

- “L” Shaped Top Channel: install the “L” shaped channel to the top of the cabinet as shown in Fig. 3, using four (4) 3/8 in. (9.5 mm) screws.

### 2. Assembly of the side curtains to the cabinet.

- Extend the shutter from the shutter frame and slide it into the shutter tabs on the side channel of the air conditioner, as shown in Fig. 4.
- Slide the shutters into the top (“L” shaped) and bottom (“U” shaped) channels. The shutters are identified (on frame) as left and right.

Fig. 3

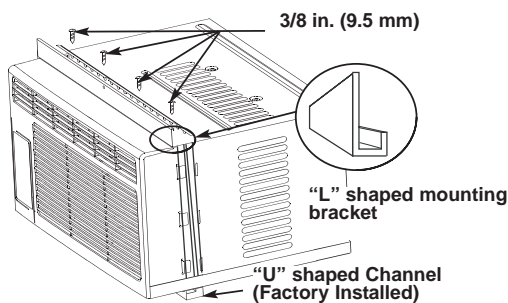
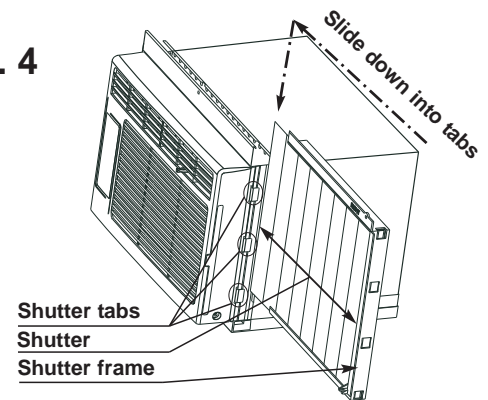


Fig. 4



### 3. Completing the installation.

- Cut the foam (non adhesive) sealing strip to fit the area of the window sill that the air conditioner will rest on.
- Carefully place the air conditioner into the window with the “L” shaped mounting bracket (on top) positioned in front of the upper window sash. The bottom of the cabinet should be positioned on the “recessed” portion of the window frame. Pull the window down until it rests just behind the front flange of the (top) “L” shaped mounting bracket (See Fig. 5).
- Expand the shutter frames (fully) on each side and secure the top of the frames to the window sash using one 1/2 in. (13 mm) screw on each side and one in the “L” shaped mounting bracket (Fig. 5).
- Secure the shutter clamp on each side of the lower part of the shutter, and secure to window sill using one 1/2 in. (13 mm) screw on each side (Fig. 5).
- Place the second foam sealing strip to fit the opening between the inside and outside windows, then attach the safety lock to the outside window frame using one 1/2 in. (13 mm) screw (See Fig. 6).

**PLEASE NOTE:** Window applications come in a variety of different styles. Therefore, it may be necessary to modify your particular installation.

Fig. 5

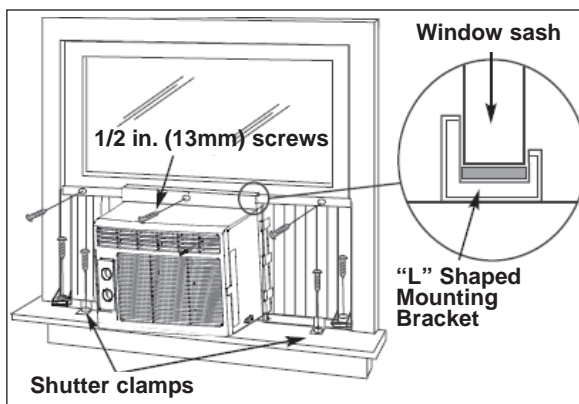
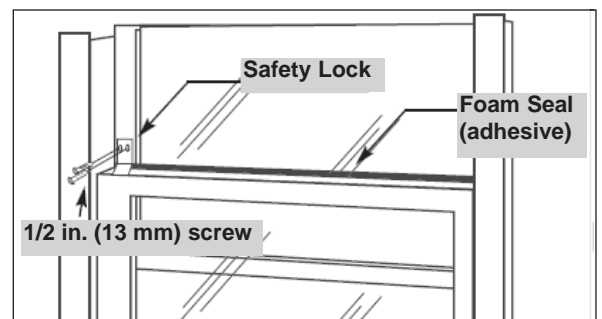


Fig. 6





# INSTALLATION INSTRUCTIONS

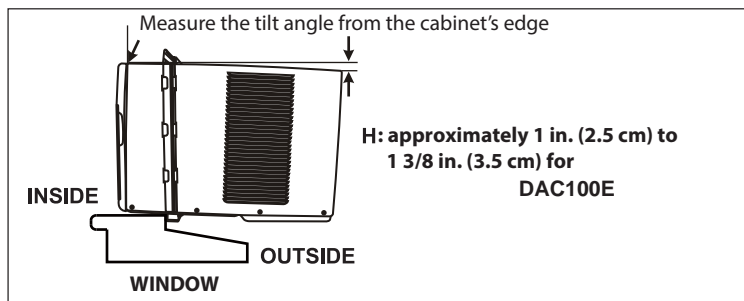
## ASSEMBLY AND INSTALLATION (cont'd)

Check that the air conditioner is tilted downwards to the outside, about 3° to 4°, as shown in **Fig. 7**. After proper installation, condensed water should not drain from the overflow drain hole during normal use. If you notice water leaking out, check the angle of tilt, and make any necessary adjustments. However, on a very humid day, water leakage can occur – this is normal.

**Note:** To achieve 3° to 4°, you must measure the H, see figure 7.

Measure the tilt angle from the cabinet's edge. The distance H should be approximately 1 in. to 1 3/8 in. (2.5 cm - 3.5 cm) for DAC100ECB4GDB.

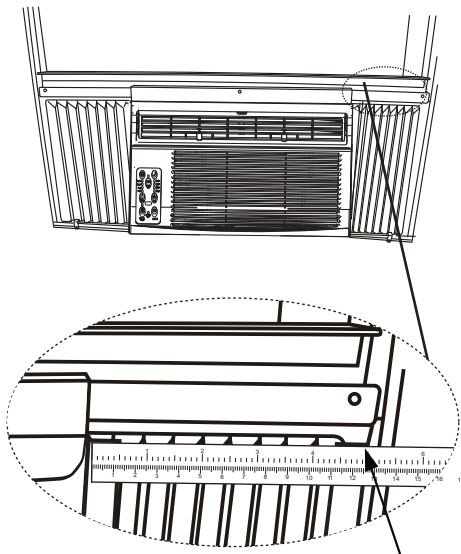
**Fig. 7**



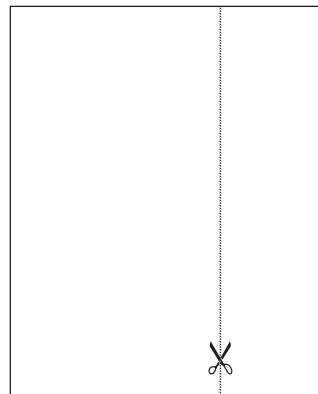
### 4. Installing the Energy Efficient Foam Insert

- After the unit is installed in the window, measure the width of the side curtain.
- If necessary, cut the foam insert down to the width of the side curtain.
- Slide the foam insert into the side curtain.
- Repeat for the other side. (See below)

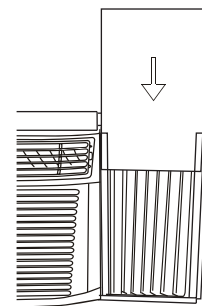
**NOTE:** Apply the supplied weather-stripping where needed (cracks and spaces between the foam insert, window kit and window frame).



**Step 1**



**Step 2**

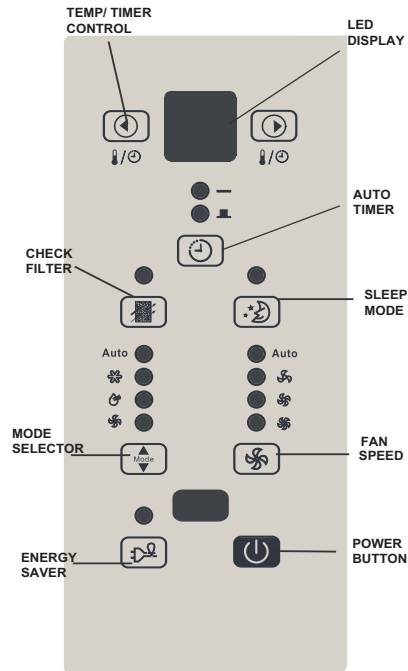


**Step 3**





# OPERATING INSTRUCTIONS


## KEY PAD FEATURES



**LED DISPLAY:** Displays the following information independently - Set Temperature, Ambient Room Temperature and Auto Timer On/Off settings.

 **POWER:** Turns unit On/Off. NOTE: The unit will automatically launch the Energy Saver function when it is in Cool, Dry, and Auto modes.

 **MODE:** Allows you to scroll through and select the desired operating mode: Cool, Dry, Fan Only and \*Auto. The selected mode will be denoted by the adjacent indicator light.  
\*Auto mode is a pre-set factory program that automatically defines the mode (Cool or Dry) and fan speed, based on the set temperature. The unit will automatically launch the Energy Saver function when it is in Cool, Dry, or Auto modes.

 **FAN SPEED:** Select from four different fan settings: Low, Medium, High and Auto during Cool and Fan Only mode. Please note, during Dry mode the fan speed is automatically defined.



# OPERATING INSTRUCTIONS

## KEY PAD FEATURES (cont'd)



**ENERGY SAVER:** Automatically cycles the fan on and off while the compressor is not in use. This function is available in Cool, Dry, and Auto modes (only Auto-Cool and Auto-Fan modes). The fan will continue to run for 3 minutes after the compressor shuts off. The fan then cycles on for 2 minutes at 10 minute intervals, until the room temperature is above the set temperature. At this point, the compressor turns back on and cooling restarts.



**TEMP / TIMER CONTROL:** Used to increase or decrease the Temperature setting in 1°C / 1°F increments, and Auto-Timer On/Off settings in 30min./1hr. increments. **Note:** This appliance allows you to select the temperature scale to be displayed in either “Celsius” or “Fahrenheit” according to your preference. To change the temperature scale displayed on the electronic display, press both the “Temp/Timer” adjust arrows simultaneously to alternate between Celsius and Fahrenheit.



**CHECK FILTER:** The adjacent indicator light will illuminate as a reminder to clean the air conditioner filter (see page 11). Once the filter has been cleaned and replaced, depress the Check Filter button in order to resume operation.



**SLEEP MODE:** In this mode, the selected temperature will increase (when in cooling mode) by 1°C / 2°F one half-hour after Sleep mode has been selected. The temperature will then increase by another 1°C / 2°F after an additional half hour. This new temperature will be maintained for 6 hours before returning to the originally selected temperature. This ends the Sleep mode and the unit will continue to operate as originally programmed. The Sleep mode program can be cancelled at any time during operation by pressing the Sleep button again.



**AUTO-TIMER:** Used to initiate the Auto On/ Auto Off timer.

### When the air conditioner is off (Auto-On feature):

- 1) Press the Auto-Timer button once and the adjacent Auto-On indicator light will illuminate.
- 2) Use the Temp/Timer control cursors to select a delayed ON time of up to 24 hours.
- 3) Select the appropriate mode under which you want the unit to operate (Auto-Cool-Dry-Fan Only).
- 4) Select the fan speed setting.
- 5) The time you selected will appear in the LED display.

### When the air conditioner is on (Auto-Off feature):

- 1) Press the Auto-Timer button twice and the adjacent Auto-Off indicator light will illuminate.
- 2) Use the Temp/Timer control cursors to select a delayed OFF time of up to 24 hours.
- 3) The time you selected will appear in the LED display. The Auto-On and Auto-Off timer features can operate during the same program by defining the Auto-Off parameters immediately after the Auto-On parameters. The Auto-Timer may be cancelled at any time by turning the unit On/Off. For example, if you want to turn the unit on one hour later, to operate for one hour and then stop, set Auto-On “1” and Auto-Off “2”.

**Note: This is a “one-shot” timer.** It does not continue to cycle on and off. It will turn the unit on (if set by the user) ONE time. It will turn the unit off (if set by the user) ONE time. If you require the unit to turn on/off again automatically, then you must set the timer again.

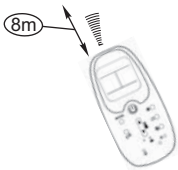
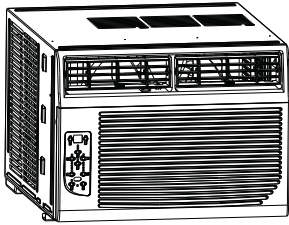


# OPERATING INSTRUCTIONS

## USING THE REMOTE CONTROL

### Location of the remote controller

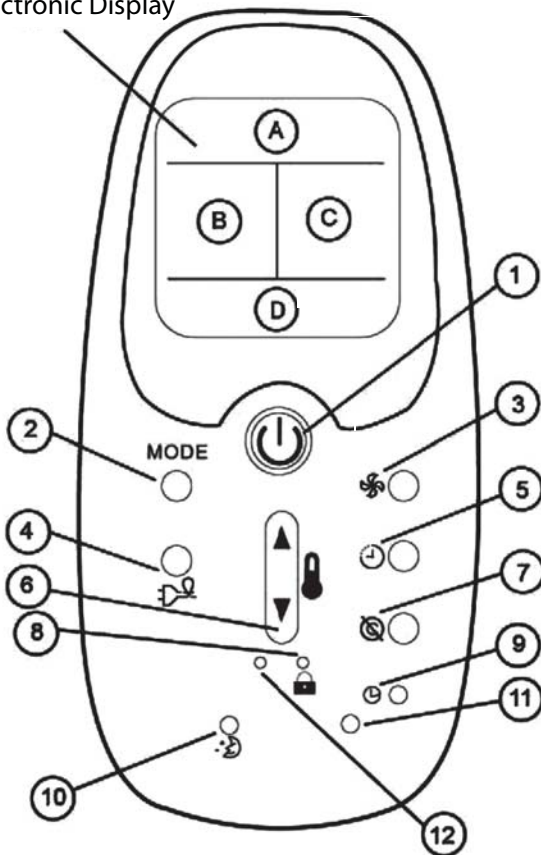
- Use the remote controller within a distance of 8 meters from the appliance, pointing it towards the receiver. Reception is confirmed by a beep.



## CAUTION

- The air conditioner will not operate if curtains, doors or other materials block the signals from the remote controller to the indoor unit.
- Prevent any liquid from falling into the remote controller. Do not expose the remote controller to direct sunlight or heat.
- If the infrared signal receiver on the indoor unit is exposed to direct sunlight, the air conditioner may not function properly. Use curtains to prevent the sunlight from falling on the receiver.
- If other electrical appliances react to the remote controller, either move these appliances or call the service depot.

Electronic Display



### Electronic Display displays the following information:

**A:** Remote Control power On/OFF and Mode Icons

**B:** Clock and Auto-Timer settings

**C:** Current set temperature

**D:** Fan speed setting control buttons

1. Power switch  
Note: The unit will automatically launch the Energy Saver function when it is in Cool, Dry, and Auto modes.
2. Mode
3. Fan Speed
4. Energy Saver - default setting which allows the fan to cycle on and off (instead of running continuously) when the compressor is not in use.
5. Auto-Timer
6. Used to increase or decrease temperature settings in 1° increments on the Celcius or Fahrenheit scale.
7. Cancels current Timer ON/OFF settings.
8. Lock prevents the remote control settings from inadvertently being changed.
9. Clock: Depress the button for 3 seconds in order to set the clock. Press the increase or decrease arrow to adjust the time in 10 minute intervals.
10. Used to activate the SLEEP program.
11. Toggle the LED backlight on/off.
12. Restore remote control default settings.

NOTE: The clock feature is only available on the remote, the unit does not have a clock. The remote clock is a 24 hour clock *only*.

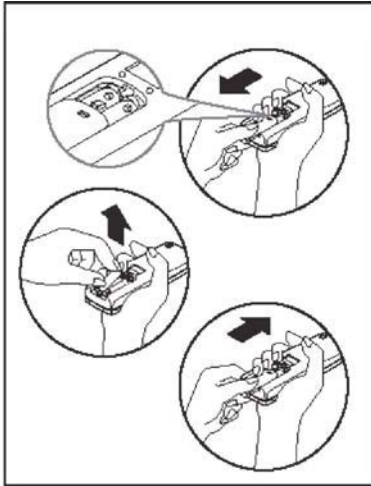


# OPERATING INSTRUCTIONS

## CHANGING THE BATTERIES ON THE REMOTE

To operate the hand-held remote control will require two “AAA” alkaline batteries (included). Batteries should be replaced when:

- a) No signal (beep) is heard when attempting to program the main unit.
- b) The main unit does not respond to a command issued by the remote control.



Battery replacement:

1. Slide the rear cover on the remote in the direction of the arrow. Continue pulling (gently) until the cover separates completely from the unit.
2. Insert (2) batteries (AAA) following the same orientation (polarity) depicted inside the battery chamber (+/-).
3. Re-install rear cover.
4. If the remote control will not be used for extended periods of time (vacations etc.), batteries should be removed.

- Protect the remote control from high temperatures, and keep it away from radiation exposure.
- Keep the control panel receiver out of direct sunlight.
- Do not mix old and new batteries.
- Do not mix alkaline, standard (carbon-zinc), or rechargeable (ni-cad, ni-mh, etc) batteries.
- The remote operates within a range of 8 meters (26 ft.) from the receiver located inside the main unit. Any obstruction between the receiver and remote may cause signal interference, limiting the ability to program the main unit.

This Class B digital apparatus complies with the Canadian ICES-003 standard. CAN ICES-3 (B)

NOTE: This equipment has been tested and found to comply with the limits for a Class B digital device, pursuant to Part 15 of the FCC Rules. These limits are designed to provide reasonable protection against harmful interference in a residential installation. This equipment generates, uses and can radiate radio frequency energy and, if not installed and used in accordance with the instructions, may cause harmful interference to radio communications. However, there is no guarantee that interference will not occur in a particular installation. If this equipment does cause harmful interference to radio or television reception, which can be determined by turning the equipment off and on, the user is encouraged to try to correct the interference by one or more of the following measures:

- 1) Reorient or relocate the receiving antenna.
- 2) Increase the separation between the equipment and receiver.
- 3) Connect the equipment into an outlet on a circuit different from that to which the receiver is connected.
- 4) Consult the dealer or an experienced radio/TV technician for help.

Changes or modifications not approved by the party responsible for FCC compliance could void the user's authority to operate the equipment.

This appliance complies with Part 15 of the FCC Rules. Operation is subject to the following two conditions:

- 1) This device may not cause harmful interference.
- 2) This device must accept any interference received, including interference that may cause undesired operation.



# CARE AND MAINTENANCE



**NOTE:** In order to avoid electric shock, please turn off the A/C and unplug the plug before maintenance or repair.

## CLEANING

When cleaning the air conditioner be sure to **disconnect the power cord from the electrical outlet.**

1. **DO NOT** use gasoline, benzene, thinner, or any other chemicals to clean this unit, as these substances may cause damage to the finish and deformation of plastic parts.
2. Never attempt to clean the unit by pouring water directly over any of the surface areas, as this will cause deterioration of electrical components and wiring insulation.

## AIR FILTER

If the air filter becomes clogged with dust, air flow is obstructed and reduces efficiency. The air filter should be cleaned every 2 weeks.

### AIR FILTER REMOVAL:

The air filter is located behind the air intake front grill. To remove the air filter, grasp the filter tab on the right side of the grill and slide it out to the right. If your air intake front grill has 2 indents, put the grill forward and remove the air filter.

To reinstall the air filter, reverse the above procedures. The air filter must be vacuumed or washed by hand in warm water. Dry thoroughly before re-installing.

### CLEANING AIR FILTER:

1. Use a vacuum cleaner with a soft brush attachment.
2. Wash the filter in lukewarm water below 40°C (104°F). To get best results, wash with soapy water or a neutral cleaning agent.
3. Rinse the filter with clean water and dry thoroughly before re-installing.



## IMPORTANT

**DO NOT** forget to install the air filter. If the air conditioner is left to operate without the air filter, dust is not removed from the room air and may result in machine failure. When the air inlet grill and cabinet are dirty, wipe with lukewarm water (below 40 °C). Use of a mild detergent is recommended.

## END OF SEASON CARE

1. Operate the fan alone for half a day to dry out the inside of the unit.
2. Turn off power and remove plug from wall socket.
3. Clean filter.
4. Store (covered) air conditioner in a dry location.



## CAUTION

**When installing and/or removing the air conditioner from the window, ensure that caution is taken to prevent it from falling backward. It is recommended that installation or removal of the air conditioner is done with assistance, to prevent injury to persons or damage to the unit or property.**

## DISPOSAL

Check for local regulatory compliance regarding the approved and safe disposal of this appliance.



# TROUBLESHOOTING

Occasionally a problem may arise that is minor in nature, and a service call may not be necessary. Use this troubleshooting guide for a possible solution. If the unit continues to operate improperly, call an authorized service depot or Danby's Toll Free Number **1-800-263-2629** for assistance.

PROBLEM	POSSIBLE CAUSE	SOLUTION
Air conditioner will not operate	<ul style="list-style-type: none"> <li>No power to the unit</li> </ul>	<ul style="list-style-type: none"> <li>Check connection of power cord to power source.</li> <li>Check fuse or circuit breaker.</li> <li>Set SELECTOR SWITCH to position other than "OFF". The power cord "RESET" button must always be pushed in (engaged) for correct operation.</li> </ul>
Inefficient or no cooling	<ul style="list-style-type: none"> <li>Dirty air filter</li> </ul>	<ul style="list-style-type: none"> <li>Clean/replace air filter</li> </ul>
	<ul style="list-style-type: none"> <li>Unit size inappropriate for application</li> </ul>	<ul style="list-style-type: none"> <li>Check with dealer to determine proper unit capacity for application</li> </ul>
	<ul style="list-style-type: none"> <li>Blocked air flow</li> </ul>	<ul style="list-style-type: none"> <li>Remove obstruction from grill or outdoor louvres</li> </ul>
	<ul style="list-style-type: none"> <li>Power interruption, settings changed too quickly, or compressor overload tripped</li> </ul>	<ul style="list-style-type: none"> <li>Turn the unit off and wait 5 minutes before attempting to restart</li> </ul>
Noisy unit	<ul style="list-style-type: none"> <li>Loose parts</li> </ul>	<ul style="list-style-type: none"> <li>Tighten loose parts</li> </ul>
	<ul style="list-style-type: none"> <li>Inadequate support</li> </ul>	<ul style="list-style-type: none"> <li>Provide additional support to unit</li> </ul>
Odors	<ul style="list-style-type: none"> <li>Formation of mold, mildew, or algae on wet surfaces</li> </ul>	<ul style="list-style-type: none"> <li>Clean unit thoroughly</li> <li>Place algaecide tablet in base pan</li> </ul>
Water dripping outside	<ul style="list-style-type: none"> <li>Hot and humid weather</li> </ul>	<ul style="list-style-type: none"> <li>Condensation run-off is normal under these conditions.</li> </ul>
Water dripping inside	<ul style="list-style-type: none"> <li>Unit is not properly angled to allow water to drain outside</li> </ul>	<ul style="list-style-type: none"> <li>Unit must be installed on an angle for proper condensation run-off. Check the unit and make any adjustments.</li> </ul>
	<ul style="list-style-type: none"> <li>It is an extremely humid day</li> </ul>	<ul style="list-style-type: none"> <li>On an extremely humid day, this effect is expected. No action required.</li> </ul>
Ice or frost build-up	<ul style="list-style-type: none"> <li>Low outside temperature</li> </ul>	<ul style="list-style-type: none"> <li>When outdoor temperature is approximately 18.3°C (65°F) or below, frost may form when unit is in cooling mode. Switch unit to FAN (only) operation until frost melts.</li> </ul>
	<ul style="list-style-type: none"> <li>Unit air filter is dirty</li> </ul>	<ul style="list-style-type: none"> <li>Remove and clean filter</li> </ul>

## NOTES:

- If circuit breaker is tripped repeatedly, or fuse is blown more than once, contact a qualified technician.
- When the unit is installed using proper installation steps, the unit is properly tipped toward the outdoors to allow for condensation run-off.

# LIMITED IN-HOME APPLIANCE WARRANTY

This quality product is warranted to be free from manufacturer's defects in material and workmanship, provided that the unit is used under the normal operating conditions intended by the manufacturer.

This warranty is available only to the person to whom the unit was originally sold by Danby Products Limited (Canada) or Danby Products Inc. (U.S.A.) (hereafter "Danby") or by an authorized distributor of Danby, and is non-transferable.

## TERMS OF WARRANTY

Plastic parts, are warranted for thirty (30) days only from purchase date, with no extensions provided.

*First year* During the first twelve (12) months, any functional parts of this product found to be defective, will be repaired or replaced, at warrantor's option, at no charge to the ORIGINAL purchaser.

*To obtain service* Danby reserves the right to limit the boundaries of "In Home Service" to the proximity of an Authorized Service Depot. Any appliance requiring service outside the limited boundaries of "In Home Service", it will be the consumer's responsibility to transport the appliance (at their own expense) to the original retailer (point of purchase) or a service depot for repair. See "Boundaries of In Home Service" below. Contact your dealer from whom your unit was purchased, or contact your nearest authorized Danby service depot, where service must be performed by a qualified service technician. If service is performed on the units by anyone other than an authorized service depot, or the unit is used for commercial application, all obligations of Danby under this warranty shall be void.

*Boundaries of in-home service* If the appliance is installed in a location that is 100 kilometres (62 miles) or more from the nearest service centre your unit must be delivered to the nearest authorized Danby Service Depot, as service must only be performed by a technician qualified and certified for warranty service by Danby. Transportation charges to and from the service location are not protected by this warranty and are the responsibility of the purchaser.

Nothing within this warranty shall imply that Danby will be responsible or liable for any spoilage or damage to food or other contents of this appliance, whether due to any defect of the appliance, or its use, whether proper or improper.

## EXCLUSIONS

Save as herein provided, by Danby, there are no other warranties, conditions, representations or guarantees, express or implied, made or intended by Danby or its authorized distributors and all other warranties, conditions, representations or guarantees, including any warranties, conditions, representations or guarantees under any Sale of Goods Act or like legislation or statute is hereby expressly excluded. Save as herein provided, Danby shall not be responsible for any damages to persons or property, including the unit itself, howsoever caused or any consequential damages arising from the malfunction of the unit and by the purchase of the unit, the purchaser does hereby agree to indemnify and hold harmless Danby from any claim for damages to persons or property caused by the unit.

## GENERAL PROVISIONS

No warranty or insurance herein contained or set out shall apply when damage or repair is caused by any of the following:

- 1) Power failure.
- 2) Damage in transit or when moving the appliance.
- 3) Improper power supply such as low voltage, defective house wiring or inadequate fuses.
- 4) Accident, alteration, abuse or misuse of the appliance such as inadequate air circulation in the room or abnormal operating conditions (extremely high or low room temperature).
- 5) Use for commercial or industrial purposes (i.e., If the appliance is not installed in a domestic residence).
- 6) Fire, water damage, theft, war, riot, hostility, acts of God such as hurricanes, floods etc.
- 7) Service calls resulting in customer education.
- 8) Improper Installation (i.e., building-in of a free standing appliance or using an appliance outdoors that is not approved for outdoor application). Proof of purchase date will be required for warranty claims; so, please retain bills of sale. In the event warranty service is required, present this document to our AUTHORIZED SERVICE DEPOT.

**Warranty Service**  
In-home

Danby Products Limited  
PO Box 1778, Guelph, Ontario, Canada N1H 6Z9  
Telephone: (519) 837-0920 FAX: (519) 837-0449

**1-800-263-2629**  
07/14

Danby Products Inc.  
PO Box 669, Findlay, Ohio, U.S.A. 45840  
Telephone: (419) 425-8627 FAX: (419) 425-8629

# BIENVENUE

Bienvenue dans la famille Danby. Nous sommes fiers de la qualité de nos produits et nous croyons fermement au service par une assistance fiable. Vous le découvrirez à la lecture de ce guide facile d'utilisation et vous en aurez la confirmation par notre service d'assistance à la clientèle. Mais ce qui est encore mieux, vous pourrez bénéficier de ces avantages à chaque utilisation de votre appareil. Ceci est important parce que votre nouvel appareil fera partie de votre famille pour longtemps.

À titre de référence, vous pouvez agraffer à cette page une copie de votre fiche d'achat de l'appareil. Inscrivez les renseignements suivants fournis (sur la plaque signalétique du fabricant sur le côté droit de l'appareil au-dessus du cordon d'alimentation).

**Veillez noter les informations ci-dessous; ces renseignements seront nécessaires si votre appareil a besoin d'entretien ou pour les demandes de renseignements généraux. Pour bénéficier d'une opération de maintenance ou de dépannage, le reçu original sera exigé.**

**REMARQUE : CET APPAREIL N'A PAS ÉTÉ CONÇU POUR UNE INSTALLATION À TRAVERS UNE PAROI MURALE.**

Numéro de modèle : \_\_\_\_\_

Numéro de série : \_\_\_\_\_

Date d'achat : \_\_\_\_\_

## BESOIN D'ASSISTANCE ?

Veillez trouver quelques conseils avant de faire appel à nos services, cela nous aidera à mieux vous servir :

### Lisez ce guide :

Il comprend des instructions pour l'utilisation et l'entretien adapté de votre appareil.

### Si votre nouvel appareil est endommagé :

Contactez immédiatement le revendeur (ou le fabricant).

### Gagnez du temps et de l'argent :

Avant de faire appel à nos services, consultez à nouveau la section « Dépannage ». Cette section vous aidera à résoudre des problèmes courants.

Si une réparation est nécessaire, ne vous inquiétez pas, la solution est au bout du fil.



1-800-26-**Danby**  
(1-800-263-2629)



## AVERTISSEMENT :

Une fiche de mise à la terre mal branchée peut entraîner un risque d'incendie, de choc électrique ou de blessures aux personnes qui utilisent l'appareil. Si vous n'êtes pas certain que l'appareil est correctement mis à la terre, consultez un préposé du service qualifié.



## Consignes de sécurité importantes

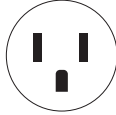
LISEZ TOUTE L'INFORMATION DE SÉCURITÉ AVANT UTILISATION

**POUR VOTRE SÉCURITÉ : Lire attentivement ces instructions avant d'utiliser l'appareil.**

## SPÉCIFICATIONS ÉLECTRIQUES

1. Tous les câblages doivent être conformes aux codes électriques locaux et nationaux et doivent être installés par un électricien qualifié. Si vous avez la moindre question au sujet des instructions ci-dessous, contactez un électricien qualifié.
2. Vérifiez la fourniture d'alimentation électrique disponible et résolvez tout problème de câblage AVANT d'installer et de faire fonctionner cet appareil.
3. Ce climatiseur de 115V utilise 7.5 ampères ou moins de puissance nominale et peut être utilisé dans toute prise de courant domestique d'usage général adéquatement câblée. Reportez-vous au **Tableau 1** pour les spécifications concernant le circuit de dérivation individuel.
4. Pour votre sécurité et votre protection, cet appareil est mis à la terre par la fiche du cordon d'alimentation lorsqu'elle est branchée dans une prise murale qui lui correspond. Si vous n'êtes pas certain que votre prise de courant murale est mise à la terre adéquatement, veuillez consulter un électricien qualifié.
5. La prise murale doit correspondre à la fiche à 3 broches sur le cordon de service fourni avec l'appareil. N'utilisez PAS de fiches d'adaptation. Voir le **Tableau 2** pour les renseignements sur les prises de courant et les fusibles.
6. La plaque signalétique sur l'appareil contient des données électriques et techniques; elle se trouve sur le côté droit de l'appareil, au-dessus du cordon d'alimentation.

TABLEAU 1 DAC100ECB4GDB	
Circuit de distribution individuel suggéré	
Ampères de puissance nominale 7,5	Calibre de fil AWG* 14
AWG – American Wire Gauge (Calibre de fil américain) *Basé sur le fil en cuivre à une température nominale de 60 °C	

TABLEAU 2	
Types de fusibles et de réceptacles	
Tension nominale	125
Ampères	15
Prise de courant	
Intensité de fusible	15



## Consignes de sécurité importantes

LISEZ TOUTE L'INFORMATION DE SÉCURITÉ AVANT UTILISATION

**POUR VOTRE SÉCURITÉ : Lire attentivement ces instructions avant d'utiliser l'appareil.**

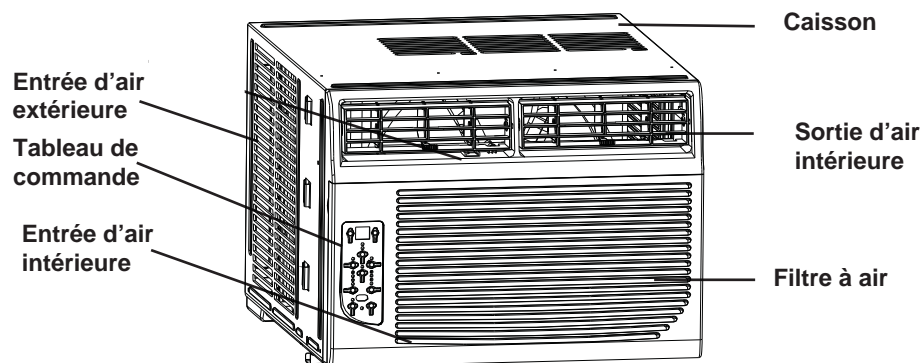
## ÉCONOMIE D'ÉNERGIE

**Votre appareil ménager est conçu pour être efficace en économie de l'énergie.** Pour un rendement maximal, observer les recommandations qui suivent.

1. Choisir un réglage du thermostat qui répond à vos besoins de confort et le laisser au réglage choisi.
2. Le filtre à air est très efficace pour éliminer les particules qui flottent dans l'air. Conserver le filtre à air propre en tout temps. (Habituellement, il faut nettoyer le filtre toutes les 2 semaines. Cela peut varier selon la qualité de l'air.)
3. Utiliser des draperies, des rideaux ou des stores pour prévenir la pénétration et le réchauffement de la pièce par les rayons directs du soleil, mais ne pas permettre la restriction de la circulation d'air autour de l'unité par les draperies ou les rideaux.
4. Activer le climatiseur avant que la température de l'air extérieur ne soit très chaude. Ceci évitera une période initiale d'inconfort avant que l'unité ne puisse refroidir la pièce.
5. Quand les températures externes sont suffisamment froides, utiliser le Mode de ventilateur. Ceci fait circuler l'air à l'intérieur de la pièce pour fournir un certain confort de climatisation en utilisant moins d'électricité.



## CARACTÉRISTIQUES





# CONSIGNES D'INSTALLATION



## RISQUE DE CHOC ÉLECTRIQUE

Pour éviter la possibilité de blessures corporelles, débrancher l'alimentation de courant à l'unité avant d'entreprendre l'installation ou le service.

**REMARQUE :** Votre climatiseur de chambre a été conçu pour une installation facile dans une fenêtre à châssis à guillotine simple ou double. Cet appareil n'a pas été conçu pour des fenêtres verticales (de type coulissant) ou pour être installé à travers une paroi murale.

## OUTILS NÉCESSAIRES POUR L'INSTALLATION:

- Tournevis à tête Phillips et plate
- Perceuse électrique : mèche de 1/8 po (3.2mm) de diam.
- Crayon
- Ruban à mesurer
- Ciseaux
- Niveau

**REMARQUE :** Conservez le carton d'expédition et le matériel d'emballage pour l'entreposage ou le transport de l'appareil. Ôtez du carton le sac en plastique qui contient la trousse de quincaillerie nécessaire pour l'installation de votre climatiseur. Veuillez vérifier le contenu de la trousse de quincaillerie d'installation en le comparant à la liste de vérification du modèle correspondant, et ce, avant l'installation de l'appareil. **Voir Fig. 1.**

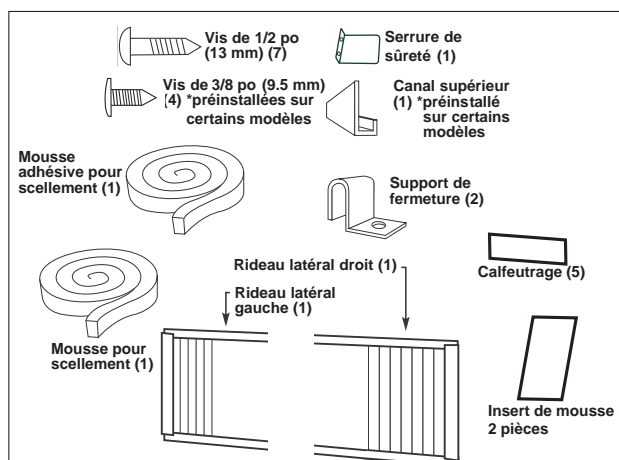


## MISE EN GARDE

Comme le compresseur se trouve du côté des commandes de l'unité (côté gauche), ce côté est plus lourd et plus difficile à manipuler. Un soutien inapproprié du côté des commandes de l'appareil peut causer des blessures et endommager l'appareil et d'autres biens mobiliers. C'est pourquoi il est recommandé que quelqu'un vous aide au cours de l'installation de cet appareil.

## OUTILS NÉCESSAIRES POUR L'INSTALLATION

Fig. 1





# CONSIGNES D'INSTALLATION

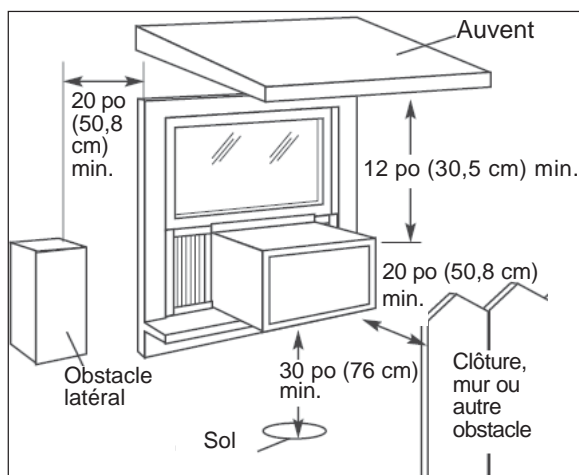
## EMPLACEMENT

1. Ce climatiseur pour chambre a été conçu pour être installé facilement dans une fenêtre à châssis à guillotine simple ou double. Cependant, comme le modèle de la fenêtre peut varier, il peut être nécessaire d'y faire quelques modifications pour une installation sécuritaire et appropriée.
2. Assurez-vous que la fenêtre et son châssis sont structurellement solides et exempts de bois sec et pourri.
3. Pour un maximum d'efficacité, installez le climatiseur sur le côté de la maison ou de l'immeuble qui se trouve plus souvent à l'ombre qu'au soleil. Si l'appareil est directement sous les rayons du soleil, installer un auvent pour protéger l'unité.
4. Laissez suffisamment d'espace libre autour du caisson pour permettre une ample circulation d'air à travers l'appareil. Voir Fig. 2. L'arrière de l'appareil doit donner sur l'extérieur de la maison et non pas dans un garage ou à l'intérieur d'un immeuble. Tenez l'appareil aussi loin que possible de tout obstacle ou obstruction et à au moins 30 po (76 cm) au-dessus du plancher ou du sol. Il ne faut pas que les rideaux ou d'autres objets à l'intérieur de la pièce puissent bloquer le flux d'air.
5. Assurez-vous que la prise électrique appropriée se trouve à la portée de l'installation. N'utilisez qu'un circuit à prise unique calculé à 15 ampères. Tout le câblage doit être conforme aux codes électriques locaux et nationaux.
6. N'installez PAS l'appareil à un endroit où on soupçonne une fuite de gaz combustibles. Votre climatiseur peut tomber en panne dans une atmosphère qui contient des huiles (y compris des huiles pour machines), des gaz sulfurés, ou s'il est près de sources d'eau chaude, etc.

**REMARQUE :** Votre appareil a été conçu pour que la condensation s'évapore dans des conditions normales. Cependant, en présence d'une humidité extrême, un surplus de condensation peut provoquer un débordement de la cuvette de base vers l'extérieur. L'appareil doit être installé de telle sorte que l'écoulement de la condensation ne se déverse pas sur des passants ou sur des propriétés avoisinantes.

**REMARQUE :** Il est normal que l'appareil coule légèrement, surtout lors des journées excessivement humides.

**Fig. 2**





# CONSIGNES D'INSTALLATION

## ASSEMBLAGE ET INSTALLATION

### 1. Montage de la pièce à rainure supérieure sur le caisson (préinstallé sur certains modèles).

- Pièce à rainure en forme de « L » : installez-la au-dessus du caisson tel que montré à la Fig. 3, en utilisant quatre (4) vis de 3/8 po (9,5 mm).

### 2. Montage des rideaux latéraux au caisson.

- Étendez les volets et glissez-les dans les support de volets sur la pièce à rainure latérale du climatiseur comme montré dans Fig. 4.
- Faites glisser les cadres des volets dans les pièces à rainure supérieure (en forme de « L ») et inférieure (en forme de « U »). Ces volets sont identifiés (sur le cadre) en tant que volets gauches et droits.

Fig. 3

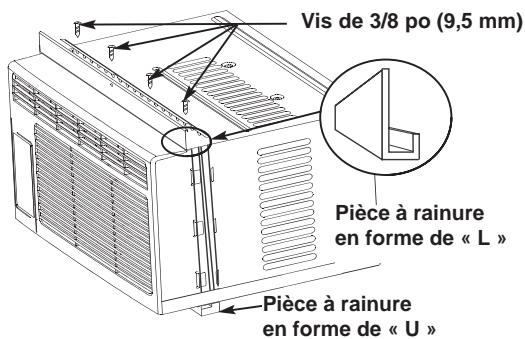
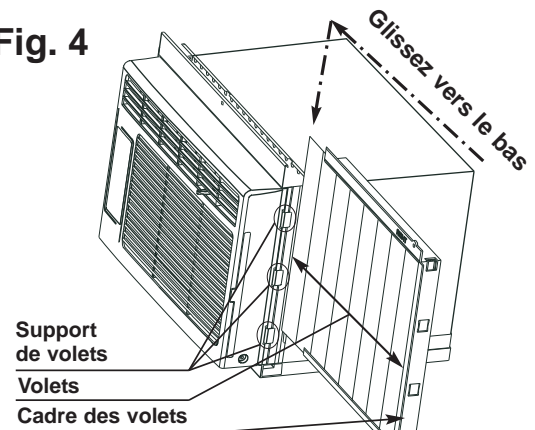


Fig. 4



### 3. Pour compléter l'installation

- Coupez la lisière à calfeutrer en mousse (non adhésive) pour qu'elle se fixe adéquatement au dessous du bas du cadre de la fenêtre.
- Placez le climatiseur dans la fenêtre avec la pièce à rainure en forme de « L » (en haut) positionnée à l'avant du cadre supérieur de la fenêtre. Le bas du caisson doit être positionné dans le bas du cadre de la fenêtre. Tirez la fenêtre vers le bas jusqu'à ce qu'elle repose juste derrière le rebord frontal de la pièce à rainure en forme de « L » (supérieure). **Voir Fig. 5.**
- Étendez les cadres des volets (complètement) de chaque côté, et fixez le haut des structures au cadre de la fenêtre en utilisant une vis de 1/2 po (13 mm), et une autre vis de 1/2 po (13 mm) sur la pièce à rainure supérieure en forme de « L » (**Fig. 5**).
- Fixez les supports de fermeture de chaque côté du bas des volets, et fixez-les au rebord de la fenêtre en utilisant une vis de 1/2 po (13 mm), sur chaque côté (**Fig. 6**).
- Coupez la bande adhésive afin qu'elle s'ajuste adéquatement à l'ouverture entre les fenêtres intérieure et extérieure. Puis, fixez la serrure de sûreté au cadre de fenêtre extérieur, en utilisant une vis de 1/2 po (13 mm) (**Fig. 6**).

**REMARQUE SPÉCIALE :** Les installations sur une fenêtre peuvent différer. C'est pourquoi il peut être nécessaire de modifier ou d'improviser votre façon d'installer.

Fig. 5

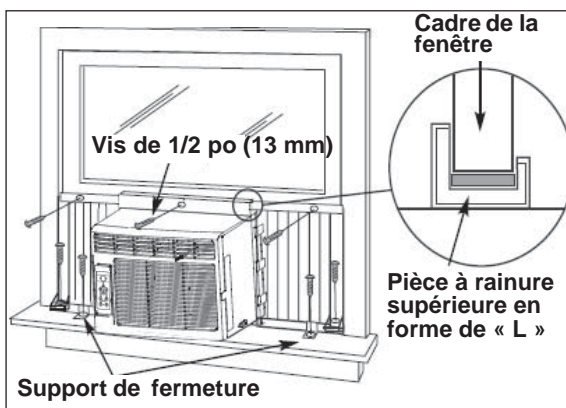
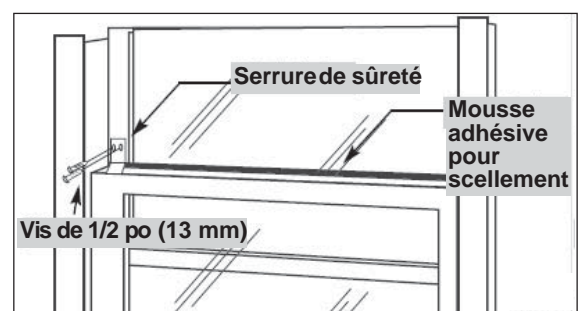


Fig. 6





# CONSIGNES D'INSTALLATION

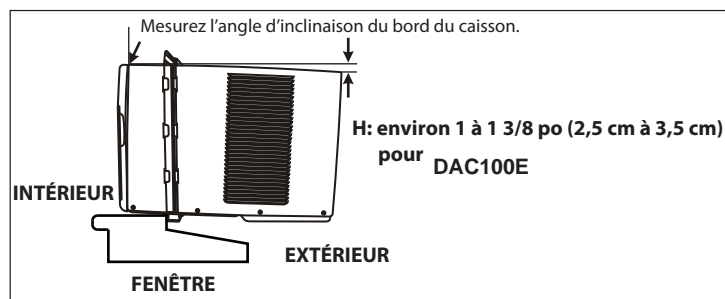
## ASSEMBLAGE ET INSTALLATION (suite)

Assurez-vous que le climatiseur est incliné vers l'extérieur de 3 ou 4 degrés, tel que montré sur la **Fig. 7**. Lors de l'usage normal, il ne devrait jamais y avoir d'eau condensée qui s'échappe par le trou de drainage, si l'installation est bien faite. Si vous remarquez un égouttement d'eau, vérifiez l'angle d'inclinaison du climatiseur et faites les ajustements nécessaires. Par contre, il est normal d'avoir un égouttement d'eau pendant les journées très humides.

**REMARQUE :** Pour achever 3° à 4°, il vous faut mesurer le H, voir figure 7.

Mesurez l'angle d'inclinaison du bord du caisson. L'intervalle H devrait être d'environ 1 à 1 3/8 po (2,5 à 3,5 cm) pour le modèle DAC100ECB4GDB.

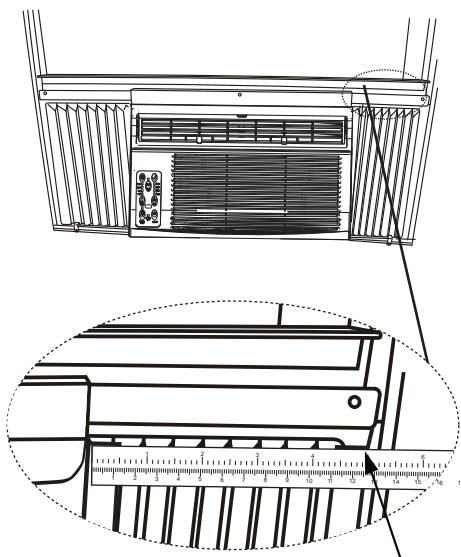
**Fig. 7**



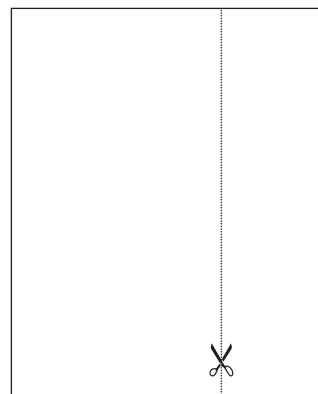
### 4. Installer le Mousse éconergétique

- Après que l'appareil est installée dans la fenêtre, mesurer la largeur du rideau sur le côté
- Si nécessaire, coupez le mousse pour le réduire au même largeur que le rideau
- Insérez le mousse dans le rideau
- Répétez pour l'autre côté (Voyez en bas)

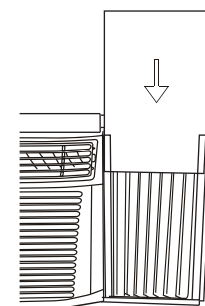
**REMARQUE :** Appliquer le calfeutrage en cas de besoin (les fissures et les espaces entre l'insert de mousse, kit de fenêtre et cadre de fenêtre) qui est fourni.



**Étape 1**



**Étape 2**

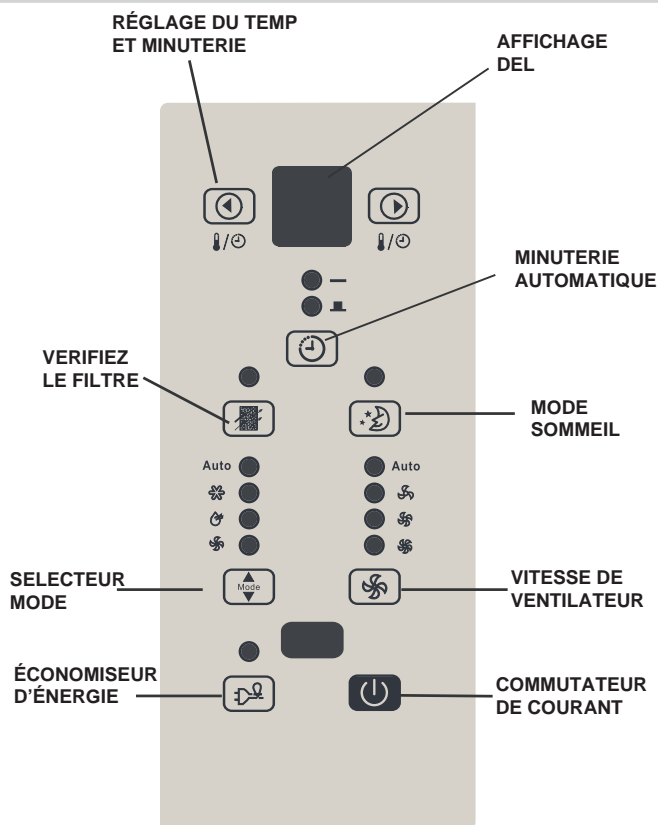


**Étape 3**



# CONSIGNES D'UTILISATION


## FONCTIONNEMENT




**Affichage DEL** : Affiche l'information suivante indépendamment - température réglée, température ambiante et programme de minuterie.

 **Commutateur de courant** : En marche/arrêt.

**Remarque** : L'appareil initiera la fonctionne d'économiseur d'énergie automatiquement, lorsque l'appareil est en modes frais, sec, auto (auto-frais et auto-ventilateur modes seulement).

 **Mode** : Vous permet de choisir le mode d'opération désiré, frais, sec, ventilateur seulement et \*auto. Le mode choisi sera dénoté par l'afficheur au-dessus du bouton. \*Auto est un programme pré réglé qui choisit automatiquement le mode (frais ou sec) et la vitesse du ventilateur selon le réglage de la température. L'appareil initiera la fonctionne d'économiseur d'énergie automatiquement, lorsque l'appareil est en modes frais, sec, auto (auto-frais et auto-ventilateur modes seulement).

 **Ventilateur** : Choisissez entre quatre réglages de ventilateur différents : Bas, Moyen, Haut et Auto, lorsque l'appareil est en modes Frais et Ventilateur. **Remarque** : lorsque l'appareil est en mode Sec, la vitesse du ventilateur est réglée automatiquement.



# CONSIGNES D'UTILISATION

## FONCTIONNEMENT (suite)



**Économiseur d'énergie** : Ajuste le ventilateur automatiquement (en marche et en arrêt) quand le compresseur n'est pas en service. Cette fonction est disponible lorsque l'appareil est en modes frais, sec, et auto (auto-frais et auto-ventilateur modes seulement). Le ventilateur continuera à fonctionner pendant 3 minutes après que le compresseur s'est éteint. Après cela, le ventilateur se met en marche pendant 2 minutes, avec des intervalles de 10 minutes jusqu'à ce que la température ambiante de la chambre est plus élevée que la température choisie/réglée. À ce point-là, le compresseur se remet en marche et le refroidissement recommence.



**Réglage de la température/minuterie** : Utilisé pour augmenter ou réduire la température par incréments de 1°C / 1°F, et la minuterie par intervalle d'une demi-heure jusqu'à 10 heures et intervalle d'une heure jusqu'à 24 heures. Remarque : cet appareil ménager offre une caractéristique qui vous donnera l'option de régler les températures soit en degrés Celsius ou Fahrenheit. Pour changer l'affichage de la température sur l'unité principale, appuyez sur les deux touches « flèches » (réglage de température/de minuterie) simultanément pour alterner entre l'échelle Celsius et Fahrenheit.



**Vérifiez le filtre** : L'afficheur au-dessus du bouton s'allume pour indiquer que le filtre à air doit être nettoyé (voir la page 24). Une fois que le filtre a été nettoyé et remplacé, appuyez sur le bouton sous l'afficheur pour recommencer une opération normale.



**Sommeil** : Dans ce mode, la température sélectionnée augmente (en mode refroidissement) de 1°C / 2 °F une demi-heure après la sélection du mode. La température augmentera ensuite de 1°C / 2 °F supplémentaires au bout d'une autre demi-heure. Cette nouvelle température sera maintenue pendant 6 heures avant le retour à la température initialement sélectionnée. Cela met fin au mode Sommeil et l'appareil continuera de fonctionner conformément à sa programmation initiale. Le programme du mode Sommeil peut être annulé à tout moment pendant son fonctionnement en appuyant à nouveau sur le bouton Sommeil.



**Minuterie** : Utilisée pour activer le programme En Marche Auto et/ou Arrêt Auto.

### Quand le climatiseur est hors de service (En Marche Auto) :

- 1) Appuyer sur la touche Minuterie une fois et l'afficheur de la fonction En Marche Auto s'illuminera.
- 2) Appuyer sur les touches « fléchées » pour choisir l'heure de mise en marche, jusqu'à 24h.
- 3) Choisir le mode approprié de fonctionnement désiré de l'unité (Auto– Frais–Sec–Ventilateur).
- 4) Choisir le réglage de la vitesse du ventilateur.
- 5) L'heure réglée apparaîtra sur l'afficheur DEL.

### Quand le climatiseur est en service (Arrêt Auto) :

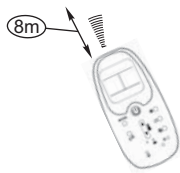
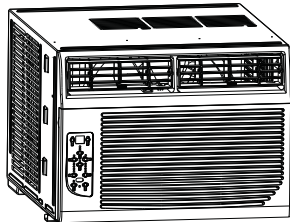
- 1) Appuyer sur la touche Minuterie deux fois et l'afficheur de la fonction Arrêt Auto s'illuminera.
- 2) Appuyer sur les touches « fléchées » pour choisir l'heure de mise hors de service, jusqu'à 24 h.
- 3) L'heure réglée apparaîtra sur l'afficheur DEL. EN MARCHÉ AUTO et ARRÊT AUTO peuvent fonctionner lors du même programme si vous choisissez les paramètres ARRÊT AUTO juste après les paramètres EN MARCHÉ AUTO. Pour annuler le programme EN MARCHÉ AUTO ou ARRÊT AUTO, appuyez sur le commutateur de courant. (Exemple : si vous voulez que l'appareil se mette en marche dans une heure, et qu'il s'éteigne après une heure, faites le réglage En Marche Auto "1" et Arrêt Auto "2".)

**Remarque** : Il s'agit d'une minuterie « un-coup ». Elle ne continue pas d'effectuer le cycle de marche et d'arrêt. Elle allumera l'appareil (si c'est réglé par l'utilisateur) UNE fois. Elle éteindra l'appareil (si c'est réglé par l'utilisateur) UNE fois. Si c'est nécessaire d'allumer et d'éteindre encore l'appareil automatiquement; vous devez régler la minuterie encore une fois.



# CONSIGNES D'UTILISATION

## UTILISATION DE LA TÉLÉCOMMANDE



### Emplacement de la télécommande

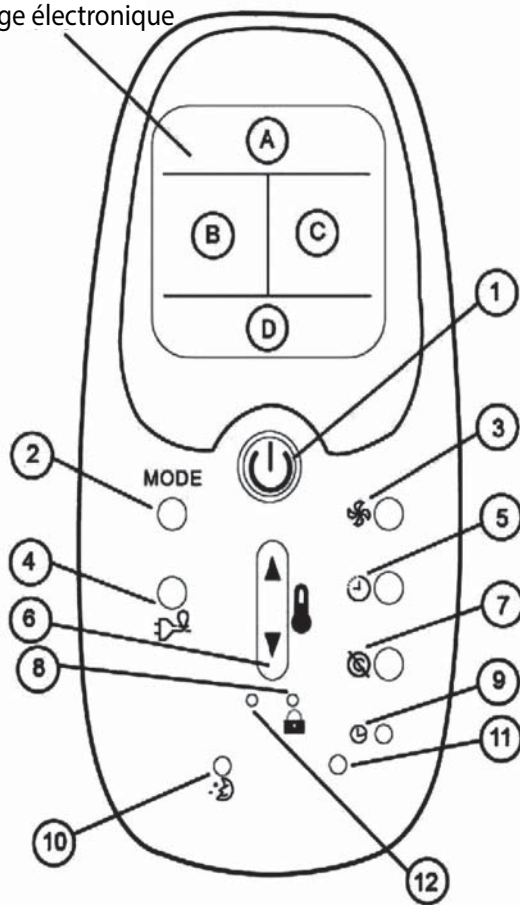
- Utilisez la télécommande à une distance maximale de 8 mètres de l'appareil, en l'orientant dans la direction du récepteur. La réception est confirmée par un bip sonore.



## MISE EN GARDE

- Le climatiseur ne fonctionne pas si le signal envoyé par la télécommande à l'unité intérieure est bloqué par des rideaux, des portes ou d'autres matériaux.
- Ne laissez pas de liquides tomber sur la télécommande. N'exposez pas la télécommande à la chaleur ou à la lumière directe du soleil.
- Si le récepteur du signal infrarouge qui se trouve sur l'unité intérieure est exposé à la lumière directe du soleil, il est possible que le climatiseur ne fonctionne pas correctement. Tirez les rideaux pour éviter d'exposer le récepteur à la lumière.
- Si d'autres appareils électriques réagissent à la télécommande, déplacez-les ou communiquez avec l'atelier de réparation.

Affichage électronique



### L'affichage électronique affiche l'information suivante :

**A** : Icônes de la télécommande « En Marche/Arrêt » et Mode

**B** : Horloge et minuterie.

**C** : Réglage de la température

**D** : Réglage de la vitesse du ventilateur

1. Commutateur de courant  
Remarque : l'appareil initiera la fonction Économiseur d'énergie automatiquement, lorsque l'appareil est en modes Frais, Sec et Auto.
2. Mode
3. Vitesse du ventilateur
4. Économiseur d'énergie : réglage par défaut qui permet au ventilateur de fonctionner par intervalles (plutôt que continuellement) lorsque le compresseur n'est pas utilisé.
5. Minuterie
6. Utilisé pour augmenter ou réduire la température par intervalle d'une demi-heure jusqu'à 10 heures et intervalle d'une heure jusqu'à 24 heures.
7. Utilisé pour annuler le programme « Minuterie en marche » et/ ou « Minuterie en arrêt ».
8. Utilisé pour éviter les modifications aux réglages de la télécommande.
9. Horloge : appuyez sur le bouton pendant 3 secondes pour régler l'horloge. Appuyez sur les boutons-flèches pour avancer ou reculer l'heure en intervalle d'une minute. Continuer à maintenir les boutons-flèches vous permet d'ajuster le temps en intervalle de 10 minutes.
10. Utilisé pour mettre en marche le mode de Sommeil.
11. Lumière d'affichage électronique (allumer/arrêter).
12. Mettez tous les réglages de la télécommande aux réglages par défaut.

*REMARQUE : La caractéristique d'horloge n'est disponible que sur les télécommandes; il n'existe pas d'horloge sur l'appareil. L'horloge à distance est une horloge de 24 heures seulement.*

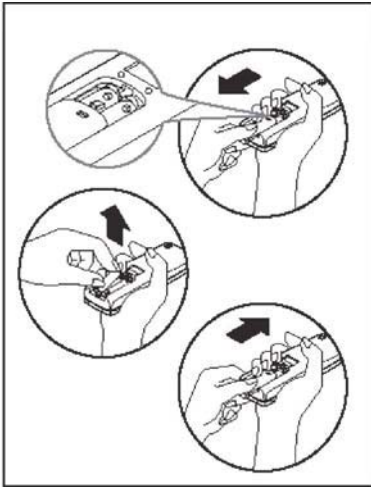


# CONSIGNES D'UTILISATION

## CHANGEMENT DES PILES DE LA TÉLÉCOMMANDE

Deux piles alcalines « AAA » sont requises pour le fonctionnement de la télécommande (incluses). Les piles devraient être remplacées quand :

- Aucun signal sonore (bip) n'est entendu durant la programmation de l'unité principale.
- L'unité principale ne répond pas à un signal émis par la télécommande.



Remplacement des piles :

- Glisser le couvercle du compartiment des piles à l'arrière de la télécommande dans le sens de la flèche. Tirer délicatement jusqu'à ce que le couvercle se sépare complètement de l'unité.
- Insérer deux (2) piles (AAA) en observant la polarité indiquée dans le compartiment des piles (+/-).
- Réinstaller le couvercle.
- Si la télécommande ne sera pas utilisée pour des périodes prolongées (vacances, etc.), les piles devraient être retirées de la télécommande.

- Protégez la télécommande contre les températures élevées et évitez l'exposition à la radiation.
- Protégez le récepteur du panneau de contrôle contre les rayons directs du soleil.
- Ne mélangez pas les vieilles et nouvelles batteries.
- Ne mélangez pas les batteries alcalines, standard (carbone-zinc), ou rechargeables (Ni-DAO, Ni-MH, etc.)
- La télécommande doit se trouver dans un rayon de 8 m (26 pi) autour du récepteur installé dans le climatiseur. Tout obstacle entre le récepteur et la télécommande risque de provoquer l'interférence des signaux, ce qui nuit à la programmation du climatiseur.

Cet appareil numérique de la classe B est conforme à la norme canadienne NMB-003. NMB-3 (B)

Remarque : cet appareil a été testé et déclaré conforme aux limites imposées aux appareils numériques de classe B, en vertu de l'alinéa 15 du règlement de la FCC. Ces limites sont destinées à assurer une protection raisonnable contre les interférences nuisibles dans un environnement résidentiel. Cet appareil génère, utilise et peut émettre de l'énergie radiofréquence et, s'il n'est pas installé et utilisé conformément aux instructions, risque de provoquer des interférences nuisibles lors de la réception d'émissions de radio ou de télévision (il suffit, pour le vérifier, d'allumer et d'éteindre successivement l'appareil); s'il constate de telles interférences, l'utilisateur devra prendre les mesures nécessaires pour les éliminer. À cette fin, il devra :

- Réorienter ou déplacer l'antenne réceptrice.
- Accroître la distance entre l'appareil et le récepteur.
- Brancher l'appareil sur une prise de courant appartenant à un autre circuit que celui du récepteur.
- Chercher de l'aide auprès du détaillant ou d'un technicien en radio ou en télévision expérimenté.

Des changements ou modifications non approuvés par l'autorité ayant confirmé la conformité de l'appareil aux règlements de la FCC pourraient faire retirer l'autorisation d'utilisation de l'appareil. Cet appareil est conforme à la Section 15 de la réglementation de la FCC. Son utilisation est soumise aux deux conditions suivantes :

- Cet appareil ne doit pas causer d'interférences nuisibles, et
- Cet appareil doit accepter toute interférence reçue, y compris les interférences qui pourraient causer un fonctionnement non souhaité.



## SOINS ET ENTRETIEN



**NOTE : Afin d'éviter tout choc électrique, éteindre et débrancher le climatiseur avant entretien ou réparation.**

### NETTOYAGE

Avant de procéder à l'entretien du climatiseur, **débranchez le cordon d'alimentation de la prise électrique.**

1. N'utilisez **PAS** de l'essence, de produit chimique, de diluant ou autre sur un climatiseur, car ces substances peuvent endommager la finition de la peinture et déformer des pièces en plastique.
2. N'essayez jamais de verser de l'eau directement sur le climatiseur, car cela pourrait provoquer une détérioration des composants électriques et de l'isolation électrique.

### FILTRE À AIR

Si le filtre à air est bouché par de la poussière, la circulation d'air est obstruée et perd de son efficacité. Le filtre à air doit être nettoyé toutes les 2 semaines.

#### ENLEVER LE FILTRE À AIR :

Le filtre à air se trouve derrière la grille frontale de la prise d'air. Pour enlever le filtre à air, saisissez la poignée du filtre sur l'avant de la grille et glissez-le (vers l'extérieur) à droite. Si votre grille à air de devant dote deux (2) dentelures, tirez la grille vers l'avant et retirez le filtre à air.

Pour réinstaller le filtre à air, faites l'inverse des procédures ci-dessus. Le filtre à air peut être nettoyé à l'aide d'un aspirateur ou lavé à la main dans de l'eau chaude. Séchez-le bien avant de l'installer.

#### NETTOYAGE DU FILTRE À AIR :

1. Utilisez un aspirateur muni d'une brosse douce.
2. Lavez le filtre dans de l'eau tiède de moins de 40°C (104°F). Pour obtenir de meilleurs résultats, lavez avec une eau savonneuse ou un agent neutre de nettoyage.
3. Rincez le filtre avec de l'eau propre et séchez-le à fond avant de le réinstaller.



### MISE EN GARDE

**N'oubliez PAS d'installer le filtre à air. Si on fait fonctionner le climatiseur sans filtre à air, la poussière n'est pas éliminée de l'air de la pièce et peut entraîner une défaillance de la machine. Quand la grille de l'entrée d'air et le caisson sont sales, essuyez-les avec de l'eau tiède (en dessous de 40 °C). On recommande l'utilisation d'un détersif doux.**

### ENTRETIEN HORS SAISON

1. Faites fonctionner uniquement le ventilateur pendant une demi-journée pour sécher l'intérieur du climatiseur.
2. Coupez le courant et enlevez la fiche de la prise murale.
3. Nettoyez le filtre.
4. Rangez le climatiseur (couvert) dans un endroit sec.



### ATTENTION

**Durant l'installation et/ou en enlevant le climatiseur de la fenêtre, assurez-vous qu'il ne tombe pas hors de la fenêtre. On recommande que l'installation ou le déplacement du climatiseur soit fait à deux pour empêcher de blesser des personnes ou d'endommager l'appareil ou la propriété.**

### MISE AU REBUT

Vérifiez la réglementation locale concernant la mise au rebut approuvée et sécurisée de cet appareil.

# DÉPANNAGE

De temps en temps, un problème mineur peut se poser et un appel de service peut ne pas être nécessaire. Employez ce guide de dépannage pour une solution possible. Si l'unité continue à fonctionner incorrectement, communiquez avec un dépôt autorisé de service ou appelez au numéro sans frais de Danby : **1-800-263-2629**.

PROBLÈME	CAUSE PROBABLE	SOLUTION
Le climatiseur ne fonctionne pas	<ul style="list-style-type: none"> <li>Aucun courant branché à l'appareil</li> </ul>	<ul style="list-style-type: none"> <li>Vérifiez le branchement du cordon d'alimentation à la source de courant</li> <li>Vérifiez le fusible ou le disjoncteur</li> <li>Placer le commutateur de sélection à une position autre que ARRÊT.</li> <li>Le bouton RESET (du cordon d'alimentation) doit toujours être enfoncé pour un bon fonctionnement.</li> </ul>
Inefficace ou aucun refroidissement	<ul style="list-style-type: none"> <li>Filtre à air sale</li> </ul>	<ul style="list-style-type: none"> <li>Nettoyez ou remplacez le filtre à air</li> </ul>
	<ul style="list-style-type: none"> <li>Les dimensions de l'appareil ne conviennent pas à son application</li> </ul>	<ul style="list-style-type: none"> <li>Vérifiez avec le concessionnaire si la capacité de l'appareil est appropriée à son application</li> </ul>
	<ul style="list-style-type: none"> <li>Circulation d'air bloquée</li> </ul>	<ul style="list-style-type: none"> <li>Enlevez l'objet qui obstrue la grille ou les volets extérieurs.</li> </ul>
	<ul style="list-style-type: none"> <li>Interruption du courant, réglages changés trop rapidement, ou compresseur déclenché par surcharge.</li> </ul>	<ul style="list-style-type: none"> <li>Arrêtez le climatiseur et attendez 5 minutes avant de le remettre en marche.</li> </ul>
Appareil bruyant	<ul style="list-style-type: none"> <li>Pièces desserrées</li> </ul>	<ul style="list-style-type: none"> <li>Serrez les pièces qui sont desserrées</li> </ul>
	<ul style="list-style-type: none"> <li>Support inadéquat</li> </ul>	<ul style="list-style-type: none"> <li>Fournissez un support supplémentaire à l'appareil</li> </ul>
Odeurs	<ul style="list-style-type: none"> <li>Formation de moisissure ou d'algues sur les surfaces mouillées.</li> </ul>	<ul style="list-style-type: none"> <li>Nettoyez à fond l'appareil.</li> <li>Mettez une tablette anti-algues dans la cuvette de base.</li> </ul>
De l'eau s'égoutte à l'extérieur	<ul style="list-style-type: none"> <li>L'écoulement de la condensation est normal, quand le temps est chaud et humide.</li> </ul>	<ul style="list-style-type: none"> <li>Le ruissellement causé par la condensation est normal sous ces conditions.</li> </ul>
De l'eau s'égoutte à l'intérieur	<ul style="list-style-type: none"> <li>L'appareil n'est pas incliné adéquatement pour permettre à l'eau de s'écouler à l'extérieur.</li> </ul>	<ul style="list-style-type: none"> <li>L'appareil doit être installé à un certain angle pour permettre un écoulement adéquat de la condensation. Vérifiez l'appareil et exécutez tout ajustement.</li> </ul>
	<ul style="list-style-type: none"> <li>C'est une journée très humide</li> </ul>	<ul style="list-style-type: none"> <li>Lorsqu'il fait très humide, ce phénomène est attendu. Aucune action requise.</li> </ul>
Formation de glace ou de givre	<ul style="list-style-type: none"> <li>Température très froide à l'extérieur.</li> </ul>	<ul style="list-style-type: none"> <li>Lorsque la température extérieure est d'environ 18,3 °C (65 °F) ou moins, du givre peut se former quand l'appareil est en mode refroidissement. Réglez l'appareil en mode VENTILATEUR (seulement) jusqu'à ce que le givre fonde.</li> </ul>
	<ul style="list-style-type: none"> <li>Le filtre à air de l'appareil est sale.</li> </ul>	<ul style="list-style-type: none"> <li>Enlevez et nettoyez le filtre à air.</li> </ul>

## REMARQUES:

- Si le disjoncteur se déclenche à maintes reprises, ou si le fusible a grillé plus d'une fois, contactez un technicien qualifié.
- Quand l'appareil est installé en suivant les étapes d'installation adéquates, l'appareil est incliné de façon appropriée vers l'extérieur pour permettre l'écoulement de la condensation.

## GARANTIE LIMITÉE SUR APPAREIL ÉLECTROMÉNAGER À DOMICILE

Cet appareil de qualité est garanti exempt de tout vice de matière première et de fabrication, s'il est utilisé dans les conditions normales recommandées par le fabricant.

Cette garantie n'est offerte qu'à l'acheteur initial de l'appareil vendu par Danby Products Limited (Canada) ou Danby Products Inc. (E.- U.A.) (ci-après « Danby ») ou par l'un des ses distributeurs agréés et elle ne peut être transférée.

### CONDITIONS

Les pièces en plastique sont garanties pendant trente (30) jours seulement à partir de la date de l'achat, sans aucune prolongation prévue.

*Premiers 12 mois* Pendant les premiers douze (12) mois, toutes les pièces fonctionnelles de ce produit qui s'avèrent défectueuses seront réparées ou remplacées, selon le choix du garant, sans frais à l'acheteur INITIAL.

*Pour bénéficier du service* Le client sera responsable pour le transport et tous les frais d'expédition de tout appareil exigeant le service au dépôt de service autorisé le plus proche. S'adresser au détaillant qui a vendu l'appareil, ou à la station technique agréée de service la plus proche, où les réparations doivent être effectuées par un technicien qualifié. Si les réparations sont effectuées par quiconque autre que la station de service agréée où à des fins commerciales, toutes les obligations de Danby en vertu de cette garantie seront annulées.

*Limites de l'entretien à domicile* Si l'appareil est installé à plus de 100 kilomètres (62 milles) du centre de service le plus proche, il doit être livré à l'atelier de réparation autorisé par Danby le plus proche, car l'entretien doit uniquement être réalisé par un technicien qualifié et certifié pour effectuer un entretien couvert par la garantie de Danby. Les frais de transport entre votre domicile et le lieu de l'entretien ne sont pas couverts par la présente garantie et doivent être acquittés par l'acheteur.

Aucune partie de la garantie ne prévoit implicitement que le fabricant sera tenu responsable des dommages subis par les aliments ou d'autres types de contenu, qu'ils soient causés par la défectuosité de l'appareil ou par son usage adéquat ou inadéquat.

### EXCLUSIONS

En vertu de la présente, il n'existe aucune autre garantie, condition ou représentation, qu'elle soit exprimée ou tacite, de façon manifeste ou intentionnelle, par Danby ou ses distributeurs agréés. De même, sont exclues toutes les autres garanties, conditions ou représentations, y compris les garanties, conditions ou représentations en vertu de toute loi régissant la vente de produits ou de toute autre législation ou règlement semblables. En vertu de la présente, Danby ne peut être tenue responsable en cas de blessures corporelles ou des dégâts matériels, y compris à l'appareil, quelle qu'en soit les causes. Danby ne peut pas être tenue responsable des dommages indirects dus au fonctionnement défectueux de l'appareil. En achetant l'appareil, l'acheteur accepte de mettre à couvert et de dégager Danby de toute responsabilité en cas de réclamation pour toute blessure corporelle ou tout dégât matériel causé par cet appareil.

### CONDITIONS GÉNÉRALES

La garantie ou assurance ci-dessus ne s'applique pas si les dégâts ou réparations sont dus aux cas suivants :

- 1) Panne de courant.
- 2) Dommages subis pendant le transport ou le déplacement de l'appareil.
- 3) Alimentation électrique incorrecte (tension faible, câblage défectueux, fusibles incorrects).
- 4) Accident, modification, emploi abusif ou incorrect de l'appareil tel qu'une circulation d'air inadéquate dans la pièce ou des conditions de fonctionnement anormales (température extrêmement élevée ou basse).
- 5) Utilisation dans un but commercial ou industriel (à savoir, si l'appareil n'est pas installé dans un domicile résidentiel).
- 6) Incendie, dommages causés par l'eau, vol, guerre, émeute, hostilités, cas de force majeure (ouragan, inondation, etc.).
- 7) Visites d'un technicien pour expliquer le fonctionnement de l'appareil au propriétaire.
- 8) Installation inappropriée (par exemple, encastrement d'un appareil autoportant, ou utilisation extérieure d'un appareil non conçu à cet effet). Une preuve d'achat doit être présentée pour toute demande de réparation sous garantie. Prière de garder le reçu. Pour faire honorer la garantie, présenter ce document à la station technique agréée ou s'adresser à :

**Service sous garantie**  
Service au domicile

Danby Products Limited  
PO Box 1778, Guelph, Ontario, Canada N1H 6Z9  
Téléphone : (519) 837-0920 Télécopieur: (519) 837-0449

**1-800-263-2629**  
03/14

Danby Products Inc.  
PO Box 669, Findlay, Ohio, U.S.A. 45840  
Téléphone: (419) 425-8627 Télécopieur: (419) 425-8629









## AIR CONDITIONER

All repair parts are available for purchase or special order when you visit your nearest service depot. To request service and/or the location of the service depot nearest you, call the TOLL FREE number.

When requesting service or ordering parts, always provide the following information:

- Product Type
- Model Number
- Part Number
- Part Description

## CLIMATISEUR

Toutes les pièces de rechange ou commandes spéciales sont disponibles à votre centre de service régional autorisé. Pour obtenir le service et/ou la localité de votre centre de service régional, signalez le NUMÉRO D'APPEL SANS FRAIS.

Ayez les renseignements suivants à la portée de la main lors de la commande de pièce ou service:

- Type de produit
- Numéro de modèle
- Numéro de pièce
- Description de la pièce



**MODEL • MODÈLE**

**DAC100ECB4GDB**