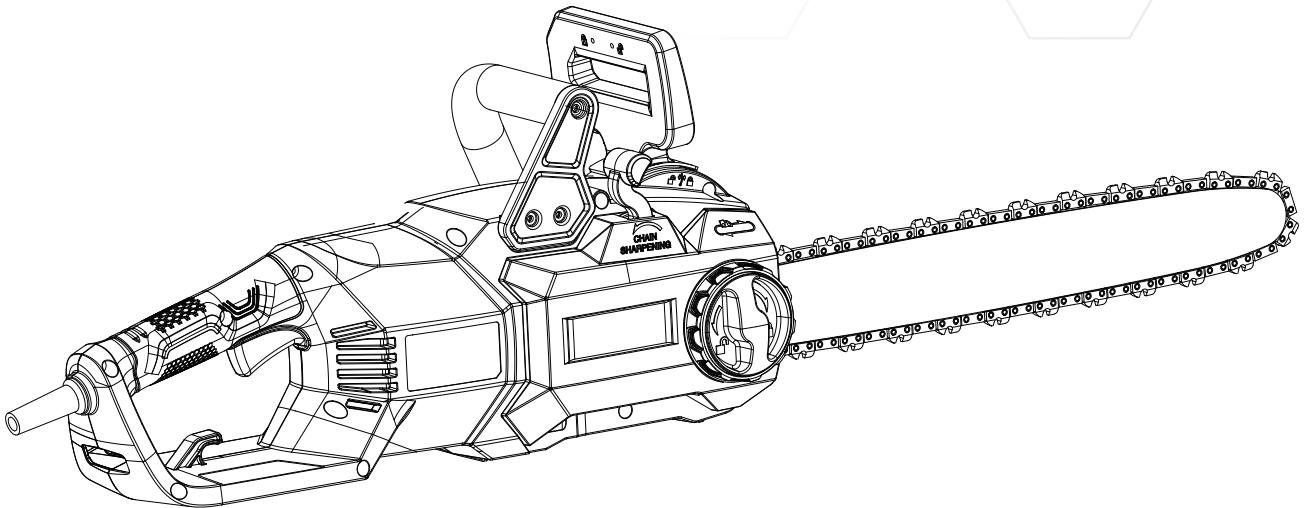


# KOBALT™



ITEM # 2493215  
MODEL # A011038

## ELECTRIC CORDED CHAIN SAW

Español p. 26

---

**ATTACH YOUR RECEIPT HERE**

Serial Number \_\_\_\_\_ Purchase Date \_\_\_\_\_

---



**Questions, problems, missing parts?** Before returning to your retailer, call our customer service department at **1-888-3KOBALT (1-888-356-2258)**, 8 a.m. - 8 p.m., EST, Monday - Sunday.

SM20399

## TABLE OF CONTENTS

Product Specifications.....	2
Package Contents .....	3
Symbols .....	4
Safety Information .....	5
Preparation .....	11
Operating Instructions .....	14
Care and Maintenance.....	20
Troubleshooting .....	23
Warranty .....	24
Replacement Parts List .....	25

## PRODUCT SPECIFICATIONS

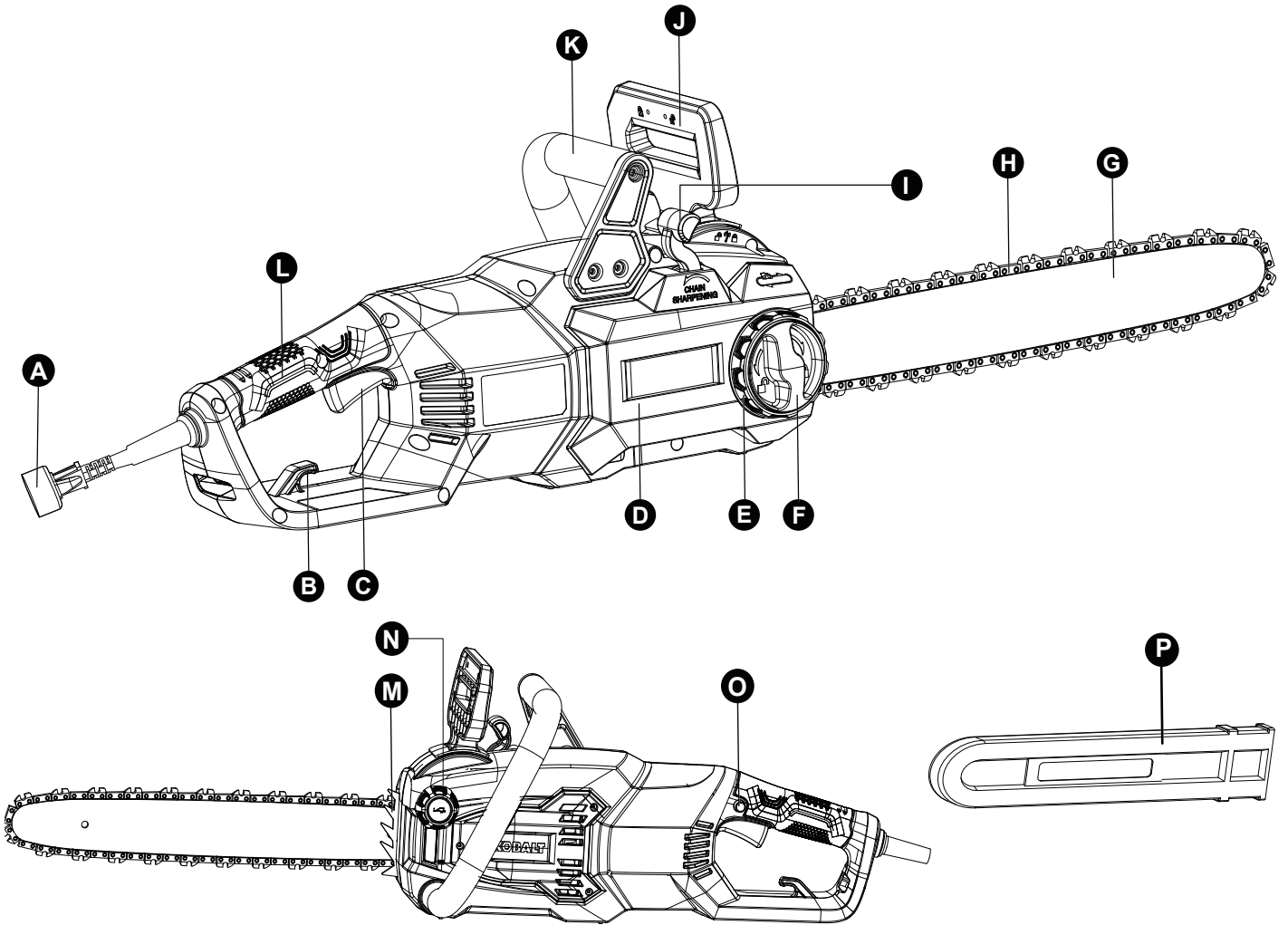
SPECIFICATIONS	
Rated Voltage	120 V ~ 60 Hz
Power	15 A
Max No-load speed	6400 RPM±10%
Maximum chain speed	12 m/s
Oil tank capacity	5.75 oz. (170 ml)
Saw bar model	18 inch, 180SDEA041, Oregon
Saw chain model	18" (457 mm), 91PS062X, Oregon
Max Cutting length	15.94" (405 mm)
Weight (with saw chain and guide bar )	12.1 lbs. (5.48 kg)

**NOTE: Only use and maintain the compliance with recommended bar and chain combination(s) according to "SPECIFICATIONS".**

**The recommended ambient temperature range:**

Item	Temperature
Chain Saw Storage Temperature Range	-4° F (-20°C ~ -158°F (70°C)
Chain Saw Operation Temperature Range	1.4° F (-17°C ~ 104°F (40°C)











## PACKAGE CONTENTS



PART	DESCRIPTION
A	Power plug
B	Cord lock
C	Switch trigger
D	Chain sprocket cover
E	Chain tensioning knob
F	Cover release knob
G	Guide bar
H	Saw chain
I	Activation lever for sharpening the chain
J	Front handle guard
K	Auxiliary handle
L	Handle
M	Spiked bumper
N	Oil tank cap
O	Lock-off button
P	Cover

## SYMBOLS





Some of the following symbols may be used on this product. Please study them and learn their meaning. Proper interpretation of these symbols will allow you to operate the product better and safer.

SYMBOLS	NAME	DESIGNATION/EXPLANATION
V	Volts	Voltage
A	Amperes	Current
Hz	Hertz	Frequency (cycles per second)
~	Alternating Current	Type or a characteristic of current
	Class II Construction	Double-insulated construction
RPM	Rotating Speed	Revolutions per minute
/min	Per Minute	Revolutions, strokes, surface speed, orbits, etc., per minute
	Ear Protection	Always wear ear protection.
	Read The Operator's Manual	To reduce the risk of injury, user must read and understand operator's manual before using this product.
	Eye Protection	Always wear eye protection with side shields marked to comply with ANSI Z87.1.
	Safety Alert	Precautions that involve your safety.
	The chain bar tip	Contact of the chain bar tip with any object should be avoided.
	Tip contact	Tip contact can cause the chain bar to move suddenly upward and backward, which can cause serious injury.
	Two hands	Always use two hands when operating the chain saw.
	The power	Always keep the power cable away from heat sources, oils or sharp edges. Immediately remove plug from the mains if the cable is damaged or entangled.
	Wet Conditions Alert	Do not expose to rain or use in damp locations.

## **SYMBOLS**

---

The following signal words and meanings are intended to explain the levels of risk associated with this product.

SYMBOL	SIGNAL	MEANING
	DANGER	Indicates an imminently hazardous situation, which, if not avoided, will result in death or serious injury.
	WARNING	Indicates a potentially hazardous situation, which, if not avoided, could result in death or serious injury.
	CAUTION	Indicates a potentially hazardous situation, which, if not avoided, may result in minor or moderate injury.
	CAUTION	(Without Safety Alert Symbol) Indicates a situation that may result in property damage.

## **WARNING**

- To avoid serious personal injury, do not attempt to use this product until you have read this Owner's Manual thoroughly and understand it completely. If you do not understand the warnings and instructions in this Owner's Manual, do not use this product.  
Call 1-888-356-2258 for assistance.



The operation of any power tool can result in foreign objects being thrown into your eyes, which can result in severe eye damage. Before operating a power tool, always wear safety goggles, safety glasses with side shields, or a full face shield when needed. We recommend a Wide Vision Safety Mask for use over eyeglasses or standard safety glasses with side shields. Always use eye protection that is marked to comply with ANSI Z87.1.

## **SAFETY INFORMATION**

---

### IMPORTANT SAFETY INSTRUCTIONS

#### READ ALL INSTRUCTIONS BEFORE OPERATING

## **WARNING**

**Read and understand all instructions before using this product. Failure to follow all instructions listed below may result in electric shock, fire, and/or serious personal injury.**

- **Read the instructions carefully. Be familiar with the controls and proper use of the unit.**
- **DO NOT operate this unit without reading the instructions.**
- **Read the instructions carefully. Be familiar with the controls and proper use of the unit.**
- **DO NOT operate this unit when tired, ill or under the influence of alcohol, drugs or medication.**
- **Never allow children to operate the unit. Teens must be trained, accompanied and supervised by an adult. Never allow adults to operate the unit without proper instruction.**
- **All guards and safety attachments must be installed properly before operating the unit.**
- **Inspect the unit before use. Replace damaged parts.** Check for fuel leaks. Make sure all



# SAFETY INFORMATION

---

fasteners are in place and secure. Replace parts that are cracked, chipped, or damaged in any way. DO NOT operate the unit with loose or damaged parts.

- **Be aware of risk of injury to the head, hands and feet.**
- **Carefully inspect the area before starting the unit.** Remove rocks, broken glass, nails, wire, string and other objects that may be thrown or become entangled with the unit.
- **Clear the area of children, bystanders and pets; keep them outside a 50-foot (15 m) radius, at a minimum.** Even then, they are still at risk from thrown objects. Encourage bystanders to wear eye protection. If you are approached, stop the unit immediately.
- **This unit is intended for occasional, household use only.**

## WHILE OPERATING

- **Wear safety glasses or goggles that meet current ANSI/ ISEA Z87.1 standards and are marked as such.** Wear ear/hearing protection when operating this unit. Wear a face mask or dust mask if the operation is dusty.
- **Wear heavy long pants, boots, gloves and a long sleeve shirt.** DO NOT wear loose clothing, jewelry, short pants, sandals or go barefoot. Secure hair above shoulder level.
- **Use the unit only in daylight or good artificial light.**
- **Avoid accidental starting. Be in the starting position whenever pulling the starter rope.** The operator and unit must be in a stable position while starting.
- **Use the right tool.** Only use this tool for its intended purpose.
- **Always hold the unit with both hands when operating.** Keep a firm grip on both handles or grips.
- **DO NOT overreach. Always keep proper footing and balance.** Take extra care when working on stairs, steep slopes or inclines. To avoid serious injury, DO NOT operate the unit while on a ladder or a roof.
- **Keep hands, face, and feet away from all moving parts.** DO NOT touch or try to stop moving parts.
- **DO NOT touch the engine or muffler.** These parts get extremely hot from operation, even after the unit is turned off.
- **DO NOT operate the unit faster than the speed needed to do the job.** DO NOT run the unit at high speed when not in use.
- **DO NOT force the unit. It will do a better, safer job when used at the intended rate.**
- **Always stop the unit when operation is delayed or when walking from one location to another.**
- **Before setting the unit down, always MAKE SURE the motor is off and all moving parts have stopped.**
- **If you strike or become entangled with a foreign object, stop the unit immediately and check for damage.** DO NOT operate the unit before repairing damage. DO NOT operate the unit with loose or damaged parts.
- **Unplug the unit for maintenance or repair.**
- **Use only original equipment manufacturer (OEM) replacement parts and accessories for this unit.** Use of any other parts or accessories could lead to serious injury to the user, or damage to the unit, and void the warranty.
- **Keep the unit clean.** Carefully remove vegetation and other debris that could block moving parts.
- **To reduce fire hazard, keep air vents free from grass, leaves or excessive grease.**
- **If the unit starts to vibrate abnormally, stop the unit immediately.** Inspect the unit for the cause of the vibration. Vibration is generally an indicator of trouble.

# SAFETY INFORMATION

## CHILD SAFETY

Tragic accidents can occur if the operator is not aware of the presence of children.

- Keep children out of the working area and under the watchful care of a responsible adult.
- Do not allow children under the age of 14 to operate this chain saw. Children who are 14 years of age and older must read and understand the operating instructions and safety rules in this manual and must be trained and supervised by a parent.
- Stay alert and turn the chain saw off if a child or any other person enters the working area.
- Use extreme care when approaching blind corners, doorways, shrubs, trees, or other objects that may obscure your view of a child who may run into the path of the chain saw.

## WARNING (PROPOSITION 65)

Some dust created by power sanding, sawing, grinding, drilling, and other construction activities contains chemicals known to cause cancer, birth defects or other reproductive harm. Some examples of these chemicals are:

- Lead from lead-based paints
- Crystalline silica from bricks and cement and other masonry products
- Arsenic and chromium from chemically treated lumber.

Your risk of exposure to these chemicals varies depending on how often you do this type of work. To reduce your exposure to these chemicals, work in a well-ventilated area, and work with approved safety equipment, such as dust masks that are specially designed to filter out microscopic particles.

## ELECTRICAL SAFETY

- Ground fault circuit interrupter (GFCI) protection should be provided on the circuit(s) or outlet(s) to be used for the chain saw. Receptacles are available having built-in GFCI protection and may be used for this measure of safety.
- Supply cords shall be not lighter than type SJOW, SJTW, or the equivalent that is oil and weather resistant in accordance with the National Electrical Code, ANSI/NFPA 70, and the Canadian Electric Code, Part I, CSA C22.1. Before use, check that the extension cord is in good condition. When using an extension cord, make sure to use one heavy enough to carry the current your product will draw. For lengths less than 50 ft (15 m), a No.14 AWG (or No.12) extension cord should be used. An undersized cord will cause a drop in line voltage resulting in loss of power and overheating.



## WARNING



Electric shock may cause SEVERE INJURY or DEATH. Heed these warnings:

- Do not allow any part of the electric chain saw to make contact with water while it is in operation. If the appliance becomes wet while turned off, wipe dry before starting.
- Do not use an extension cord over 100 ft. (30 m).
- Do not touch the appliance or its plug with wet hands or while standing in water. Wearing rubber boots offers some protection.

### EXTENSION CORD CHART

Extension Cord Length	Up to 50 ft.(15 m)	+50 ft. - 100 ft.(+15 m - 30 m)
Wire Gauge (A.W.G.):	14 / 12	Not recommend

# SAFETY INFORMATION

- To reduce the risk of electric shock, this appliance has a polarized plug (i.e. one blade is wider than the other). Use this appliance only with a polarized UL-, CSA- or ETL rated extension cord for outdoor, all-weather use. The appliance plug will fit into a polarized extension cord only one way.

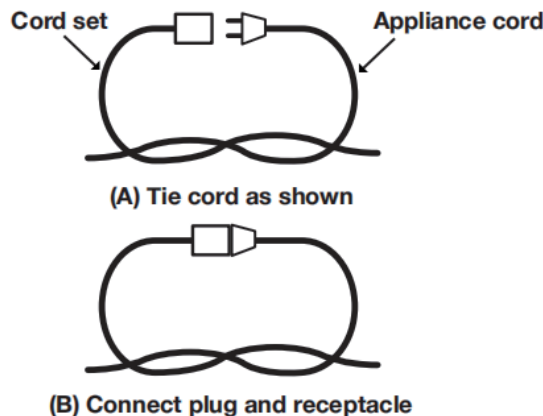
If the appliance plug does not fit fully into the extension cord, reverse the plug. If the plug still does not fit, obtain a correct polarized extension cord. A polarized extension cord will require the use of a polarized wall outlet. The extension cord plug will fit into the polarized wall outlet only one way. If the plug does not fit fully into the wall outlet, reverse the plug. If the plug still does not fit, contact a qualified electrician to install the proper wall outlet. Do not modify the appliance plug, extension cord receptacle or extension cord plug in any way.

**Warning** – To reduce the risk of personal injury due to a loose electrical connection between the appliance's plug and extension cord, firmly and fully attach the appliance plug to the extension cord. Periodically check the connection while operating to ensure it is fully attached. Do not use an extension cord that provides a loose connection. A loose connection may result in overheating, fire, and increases the risk of a burning.

**Maintain Appliance with Care** – Inspect extension cords periodically and replace if damaged.

- To prevent the appliance cord from disconnecting from the extension cord during operation, make a knot with the two cords as shown in Figure 1.

Figure 1. Method of Securing Extension Cord



- Do not abuse the cord. Never pull the chain saw by the cord or yank the cord to disconnect it from the receptacle. Keep the cord away from heat, oil, and sharp edges.

## GENERAL POWER TOOL SAFETY WARNINGS

### WARNING

**Read all safety warnings and all instructions.** Failure to follow the warnings and instructions may result in electric shock, fire and/or serious injury.

**Save all warnings and instructions for future reference.**

#### 1. Work area safety

**a. Keep work area clean and well lit.** Cluttered or dark areas invite accidents.

**b. DO NOT operate power tools in explosive atmospheres, such as in the presence of flammable liquids, gases or dust.** Power tools create sparks which may ignite the dust or fumes.



# SAFETY INFORMATION

---

c. **Keep children and bystanders away while operating a power tool.** Distractions can cause you to lose control.

## 2. Electrical Safety

- a. **Power tool plugs must match the outlet. Never modify the plug in any way.** DO NOT use any adapter plugs with earthed (grounded) power tools. Unmodified plugs and matching outlets will reduce risk of electric shock.
- b. **Avoid body contact with earthed or grounded surfaces, such as pipes, radiators, ranges and refrigerators.** There is an increased risk of electric shock if your body is earthed or grounded.
- c. **DO NOT expose power tools to rain or wet conditions.** Water entering a power tool will increase the risk of electric shock.
- d. **DO NOT abuse the cord.** Never use the cord for carrying, pulling or unplugging the power tool. Keep cord away from heat, oil, sharp edges or moving parts. Damaged or entangled cords increase the risk of electric shock.
- e. **When operating a power tool outdoors, use an extension cord suitable for outdoor use.** Use of a cord suitable for outdoor use reduces the risk of electric shock.
- f. **If operating a power tool in a damp location is unavoidable, use a residual current device (RCD) protected supply.** Use of an RCD reduces the risk of electric shock. Recommendation for the use of a residual current device with a tripping current of 30 mA or less.

## 3. Personal Safety

- a. **Stay alert, watch what you are doing and use common sense when operating a power tool.** DO NOT use a power tool while you are tired or under the influence of drugs, alcohol or medication. A moment of inattention while operating power tools may result in serious personal injury.
- b. **Use personal protective equipment. Always wear eye protection.** Protective equipment such as dust mask, non-skid safety shoes, hard hat, or hearing protection used for appropriate conditions will reduce personal injuries.
- c. **Prevent unintentional starting.** Ensure the switch is in the off-position before connecting to power source and/or battery pack, picking up or carrying the tool. Carrying power tools with your finger on the switch or energising power tools that have the switch on invites accidents.
- d. **Remove any adjusting key or wrench before turning the power tool on.** A wrench or a key left attached to a rotating part of the power tool may result in personal injury.
- e. **DO NOT overreach.** Keep proper footing and balance at all times. This enables better control of the power tool in unexpected situations.
- f. **Dress properly.** DO NOT wear loose clothing or jewellery. Keep your hair, clothing and gloves away from moving parts. Loose clothes, jewellery or long hair can be caught in moving parts.
- g. **If devices are provided for the connection of dust extraction and collection facilities, ensure these are connected and properly used.** Use of dust collection can reduce dust-related hazards.

## 4. Power Tool Use and Care

- a. **DO NOT force the power tool.** Use the correct power tool for your application. The correct power tool will do the job better and safer at the rate for which it was designed.
- b. **DO NOT use the power tool if the switch does not turn it on and off.** Any power tool that cannot be controlled with the switch is dangerous and must be repaired.
- c. **Disconnect the plug from the power source and/or the battery pack from the power tool**



## SAFETY INFORMATION

---

**before making any adjustments, changing accessories, or storing power tools.** Such preventive safety measures reduce the risk of starting the power tool accidentally.

- d. Store idle power tools out of the reach of children.** DO NOT allow persons unfamiliar with the power tool or these instructions to operate the power tool. Power tools are dangerous in the hands of untrained users.
- e. Maintain power tools.** Check for misalignment or binding of moving parts, breakage of parts and any other condition that may affect the power tools operation. If damaged, have the power tool repaired before use. Many accidents are caused by poorly maintained power tools.
- f. Keep cutting tools sharp and clean.** Properly maintained cutting tools with sharp cutting edges are less likely to bind and are easier to control.
- g. Use the power tool, accessories and tool bits etc.** in accordance with these instructions, taking into account the working conditions and the work to be performed. Use of the power tool for operations different from those intended could result in a hazardous situation.

### 5. Service

- a. Have your power tool serviced by a qualified repair person using only identical replacement parts.** This will ensure that the safety of the power tool is maintained.

### CHAIN SAW SAFETY WARNINGS

- **Keep all parts of the body away from the saw chain when the chain saw is operating.** Before you start the chain saw, make sure the saw chain is not contacting anything. A moment of inattention while operating chain saws may cause entanglement of your clothing or body with the saw chain.
- **Always hold the chain saw with your right hand on the rear handle and your left hand on the front handle.** Holding the chain saw with a reversed hand configuration increases the risk of personal injury and should never be done.  
**NOTE:** For chain saws designed with the chain bar on the left side, the reference to “right hand” and “left hand” positioning is reversed.
- **Hold the power tool by insulated gripping surfaces only. The saw chain may contact hidden wiring or its own cord.** Saw chains contacting a “live” wire may make exposed metal parts of the power tool “live” and could give the operator an electric shock.
- **Wear safety glasses and hearing protection.** Further protective equipment for head, hands, legs and feet is recommended. Adequate protective clothing will reduce personal injury by flying debris or accidental contact with the saw chain.
- **DO NOT operate a chain saw in a tree.** Operation of a chain saw while up in a tree may result in personal injury.
- **Always keep proper footing and operate the chain saw only when standing on fixed, secure and level surface.** Slippery or unstable surfaces such as ladders may cause a loss of balance or control of the chain saw.
- **When cutting a limb that is under tension be alert for spring back.** When the tension in the wood fibers is released the spring-loaded limb may strike the operator and/or throw the chain saw out of control.
- **Use extreme caution when cutting brush and saplings.** The slender material may catch the saw chain and be whipped toward you or pull you off balance.
- **Carry the chain saw by the front handle with the chain saw switched off and away from your body.** Proper handling of the chain saw will reduce the likelihood of accidental contact with the moving saw chain.
- **Follow instructions for lubricating, chain tensioning and changing accessories.** Improperly

# SAFETY INFORMATION

---

tensioned or lubricated chain may either break or increase the chance for kickback.

- **Keep handles dry, clean, and free from oil and grease.** Greasy, oily handles are slippery causing loss of control.
- **Cut wood only. DO NOT use chain saw for purposes not intended. For example: DO NOT use chain saw for cutting plastic, masonry or non-wood building materials.** Use of the chain saw for operations different than intended could result in a hazardous situation.

## **Causes and Operator Prevention of Kickback:**

Kickback may occur when the nose or tip of the chain bar touches an object, or when the wood closes in and pinches the saw chain in the cut. Tip contact in some cases may cause a sudden reverse reaction, kicking the chain bar up and back towards the operator. Pinching the saw chain along the top of the chain bar may push the chain bar rapidly back towards the operator. Either of these reactions may cause you to lose control of the saw which could result in serious personal injury. DO NOT rely exclusively upon the safety devices built into your saw. As a chain saw user, you should take several steps to keep your cutting jobs free from accident or injury. Kickback is the result of tool misuse and/or incorrect operating procedures or conditions and can be avoided by taking proper precautions as given below:

- **Maintain a firm grip, with thumbs and fingers encircling the chain saw handles, with both hands on the saw and position your body and arm to allow you to resist kickback forces.** Kickback forces can be controlled by the operator, if proper precautions are taken. DO NOT let go of the chain saw.
- **DO NOT overreach and DO NOT cut above shoulder height.** This helps prevent unintended tip contact and enables better control of the chain saw in unexpected situations.
- **Only use replacement bars and chains specified by the manufacturer.** Incorrect replacement bars and chains may cause chain breakage and/or kickback.
- **Follow the manufacturer's sharpening and maintenance instructions for the saw chain.** Decreasing the depth gauge height can lead to increased kickback.

# SAVE THESE INSTRUCTIONS

## **PREPARATION**

---

The chain saw comes fully assembled. DO NOT discard box or packing material until all parts are examined.

User should fill the oil tank and check the correct chain tension before using.

This appliance is provided with double insulation. Use only identical replacement parts. See instructions for Servicing of Double-Insulated Appliances.

In a double-insulated appliance, two systems of insulation are provided instead of grounding. No grounding means is provided on a double-insulated appliance, nor should a means for grounding be added to the appliance. Servicing a double-insulated appliance requires extreme care and knowledge of the system, and should be done only by qualified service personnel. Replacement parts for a double-insulated appliance must be identical to the parts they replace.

## PREPARATION

---

### SAW CHAIN LUBRICATION

Never operate the chain saw without saw chain oil. The use of the chain saw without enough saw chain oil will damage the unit.

Only use special saw chain oil. Other oils will run the risk of damaging the unit and voiding the warranty.

Take note of temperature conditions. Using the saw at various temperatures requires the use of differing oils. To ensure a sufficient layer of lubricant at lower temperatures, use liquid oil (low viscosity).

### FILLING THE OIL TANK

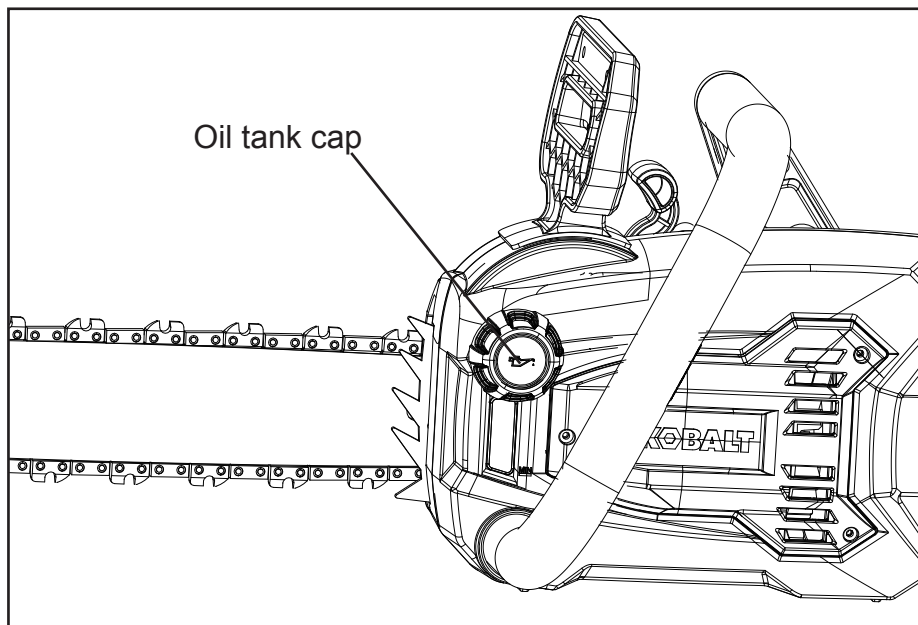


#### WARNING

The chain saw is NOT supplied filled with oil. It is essential to fill with oil before use. Never operate the chain saw without chain oil or at an empty oil tank level, as this will result in extensive damage to the product. Chain life and cutting capacity depends on optimum lubrication. Therefore, the chain is automatically oiled during operation via the oil outlet.

1. Place the chain saw on a level surface. Clean the area around the oil tank cap and then open it.
2. Fill the oil tank with saw chain oil. In doing so, make sure that no dirt gets into the oil tank so that the oil nozzle does not clog.
3. Close the oil tank cap.


**NOTE:** It is normal for oil to seep from the saw when not in use. To prevent fire disaster, clean the oozy oil by a cloth when filling the oil, empty the oil tank after each use. When storing the unit for a long period of time (3 months or longer), be sure the chain is lightly lubricated.





## PREPARATION

### ADJUST THE CHAIN TENSION

Always check the chain tension before use, after the first cuts and regularly during use, approx. every 10 minutes. Upon initial operation, new chains can lengthen considerably.

 **WARNING:** Unplug the chainsaw from the power source before adjusting the saw chain tension.

 **WARNING:** Cutting edges on the chain are sharp. Use protective gloves when handling the chain.

 **WARNING:** Maintain proper chain tension always. A loose chain will increase the risk of kickback. A loose chain may jump out of the guide bar groove. This may injure the operator and damage the chain. A loose chain will cause the chain, chain bar, and sprocket to wear rapidly.

The chain life of the saw chain mainly depends upon sufficient lubrication and correct tensioning.

Avoid tensioning the chain if it is hot, as this will cause the chain to become over tensioned when it cools down.

Please check the chain tension before use. If the chain tension is incorrect, tighten or loosen the chain and bar to the best position. The chain saw can be used only on the condition that the chain tension is correct and the bar is fixed for safety.

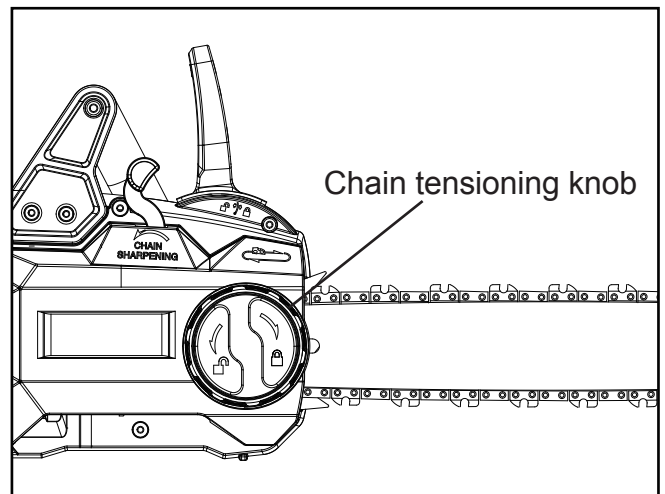
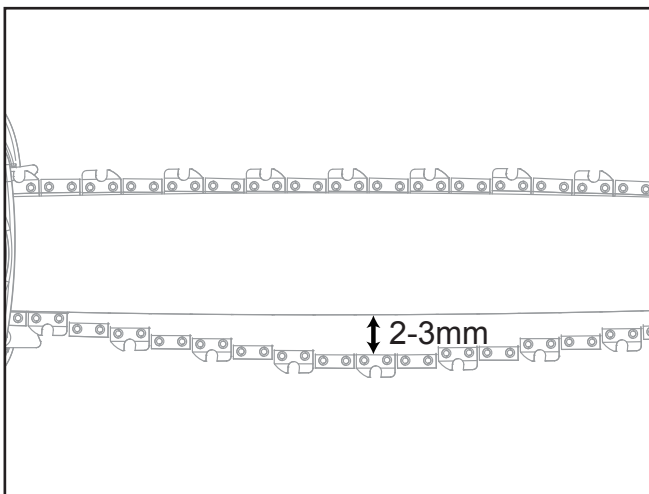
The correct chain tension is reached when the chain can be raised approx. 2-3mm from the chain bar in the center. This should be done by using one hand in a glove to raise the chain against the weight of the chain saw.

The chain tension of the chain saw can be adjusted by turning the chain tensioning knob.

Loosen the chain bar by turning the cover release knob anticlockwise until it is slightly loose (usually half or one cycle away).

Tighten the chain tensioning knob clockwise a little every time to check the chain tension until it is correct.

When the chain tension is correct, please fix the position of the chain tensioning knob with one hand while turning back the cover release knob clockwise with another hand to the end.



## OPERATING INSTRUCTIONS

**IMPORTANT:** This appliance is intended for outdoor, residential use only. Do not use it indoors or for commercial or industrial purposes.

This appliance is for household use only.

- Basic limbing, felling, woodcutting, and remove buttress roots. All of the wooden objects intended to be cut with this chain saw should be no thicker than the guide bar's maximum cutting capabilities.
- Wear safety goggles or other suitable eye protection, hearing protection, long pants, and shoes.
- Do not use it for cutting metals, plastic and other commercial use.
- In some countries regulations define at what time of the day and on what special days products are allowed to be used and what restrictions apply! Ask your community for detailed information and observe the regulations in order to preserve a peaceful neighborhood and avoid committing administrative offences.

**NOTE :** The chain saw is intended for operators near the ground and not on ladders or other unstable surfaces.

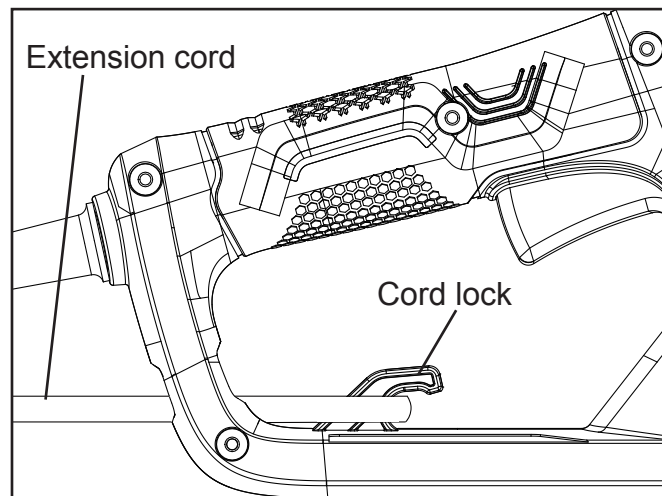
### CONNECTING TO POWER SUPPLY, CABLING, FUSING, SOCKET TYPE AND EARTHING REQUIREMENTS

Use only an extension cord recommended for outdoor use.

Insert the power plug of the chain saw into the extension cord.

Secure the extension cord to the appliance using the molded in cord-lock feature.

Plug the extension cord into the power supply.



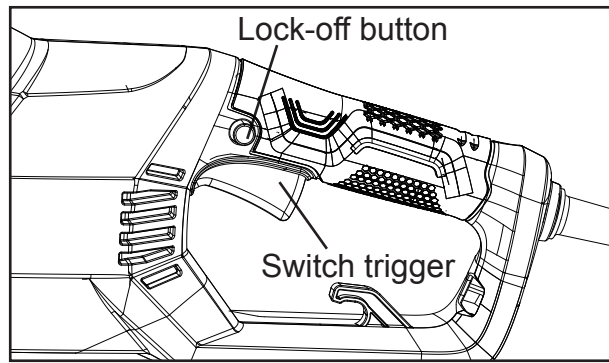
**NOTE :** If the replacement of the supply cord is necessary, this has to be done by the manufacturer or his agent in order to avoid a safety hazard.

**CAUTION:** When using an extension cord, make sure to use one heavy enough to carry the current your product will draw. For lengths less than 50 ft (15 m), a No.14 AWG (or No.12) extension cord should be used. An undersized cord will cause a drop-in line voltage resulting in loss of power and overheating.

### STARTING AND STOPPING

#### 1. STARTING/STOPPING THE CHAIN SAW

- Ensure that the chain saw is connected to the power supply.
- For switching on the chain saw, press the lock-off button, then fully press the switch trigger and hold in this position. The lock-off button can now be released.
- For switching off, release the switch trigger.
- Do not stop the chainsaw after sawing by activating the front hand guard (chain brake).



**NOTE :** To acquire a good performance of the product, please hold and grip the handle correctly before starting the chainsaw.

## SAFETY WARNINGS

1. In order to ensure safe work, DO NOT operate the saw above shoulder height.
2. Position the cord so that it will not be caught on branches and the like, during cutting.
3. Never stand below a branch that is being sawed.
4. Exercise caution when sawing both branches under tension or branches that are splintering.
5. Make sure to safe guard against the risk of injury from falling branches and flying wood projectiles.
6. If the machine is in operation, keep persons and animals away from the danger area.
7. The machine is not protected against electric shock when coming into contact with high-voltage lines. Maintain a minimum clearance of 30 feet from current-carrying power lines to avoid life-threatening electric shock.
8. When working on an incline, always stand above or to the side of the branch being sawed.
9. Allow the chain to cut for you. Keep the saw running at full speed for the entire duration of the cut. First-time user should, as a minimum practice, cutting logs on a saw-horse or cradle.

## PREVENTING KICKBACK

The term kickback refers to when the saw suddenly jumps up and back. This is usually caused by the work piece coming into contact with the chain bar tip or the clamping of the saw chain.

A kickback generates an abrupt powerful force. The saw usually reacts in an uncontrolled manner, creating the possibility of injury to the user.

The danger of a kickback is greatest when attempting to cut near or with the chain bar tip. Always apply the saw as flatly as possible in order avoid a loss of control during operation.



### WARNING

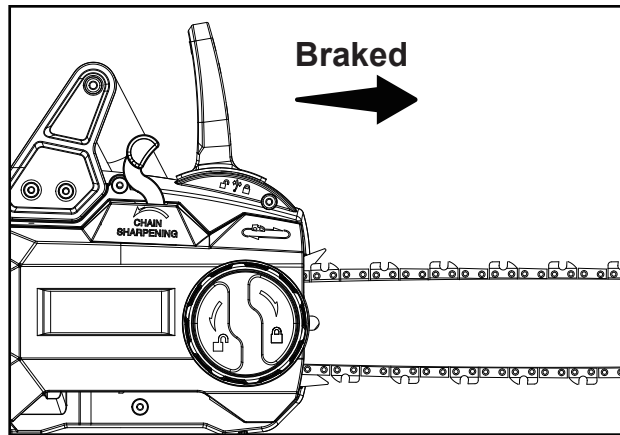
DO NOT cut down trees in high wind conditions. This can result in injury and should only be performed by a trained professional.

## KICKBACK BRAKE

The kickback brake is a safety mechanism activated by the front hand guard. When kickback occurs, the saw chain stops immediately.

The following function check should be carried out before each use. The purpose of the chain brake testing is to reduce the possibility of injury due to kickback:

1. Push front hand guard forward and try to start the chain saw. The chain must not start.
2. To deactivate the kickback brake, release switch trigger and pull hand guard backwards.



## SAWING TECHNIQUES

**IMPORTANT:** It is recommended that first-time user should, as a minimum practice, cutting logs on a saw-horse or cradle.

- Saw off the lower branches on the tree first. By doing so, it is easier for the cut branches to fall to the ground.
- At the end of the cut, the weight of the saw suddenly increases for the user since it is no longer being supported by a branch. There is a risk of losing control of the saw, so make sure to stay alert during the entire sawing operation.
- Only pull the saw out of a cut while the saw is running. By doing so, you prevent the chain from jamming in the wood.
- DO NOT saw with the tip of the chain bar. DO NOT saw into the branch formations (where the tree branches outwards). This will impede the tree's ability to heal.
- For sawing off smaller branches, place the stop face of the saw on the branch. This prevents unwanted movements of the saw at the beginning of the cut. While applying light pressure, guide the saw through the branch from top to bottom.
- For sawing off larger branches, first make a relief cut. Saw through 1/3 of the branch diameter from the bottom to top using the top side of the chain bar. Then saw from top to bottom for the other 2/3 using the bottom side of the chain bar. Saw off longer branches in sections in order to maintain control over the location of impact.

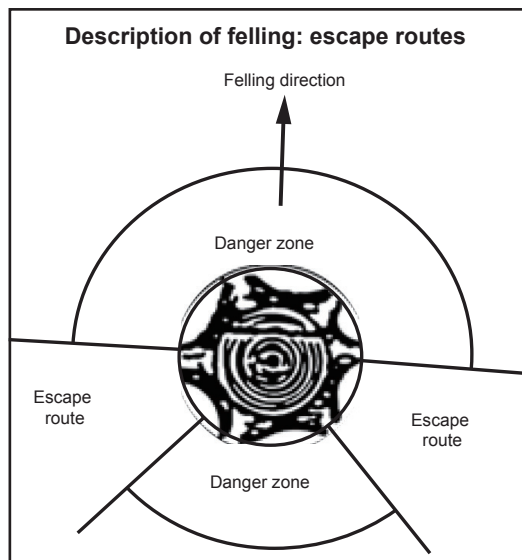
## FELLING A TREE

When bucking and felling operations are being performed by two or more persons at the same time, the felling operations should be separated from the bucking operation by a distance of at least twice the height of the tree being felled.

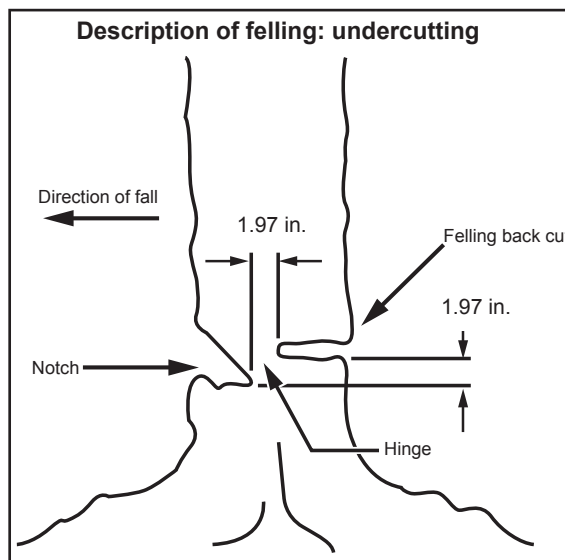
Trees should not be felled in a manner that would endanger any person, strike any utility line or cause any property damage. If the tree does make contact with any utility line, the company should be notified immediately.

The chain saw operator should keep on the uphill side of the terrain as the tree is likely to roll or slide downhill after it is felled. necessary before cuts are started.

The escape path should extend back and diagonally to the rear of the expected line of fall (Figure -Description of felling: escape routes).



Before felling is started, consider the natural lean of the tree, the location of larger branches and the wind direction to judge which way the tree will fall. Remove dirt, stones, loose bark, nails, staples and wire from the tree. Make the notch 1/3 the diameter of the tree, perpendicular to the direction of falls (Figure- Description of felling: undercutting).



Make the lower horizontal notching cut first. This will help to avoid pinching either the saw chain or the chain bar when the second notch is being made.

## FELLING BACK A CUT

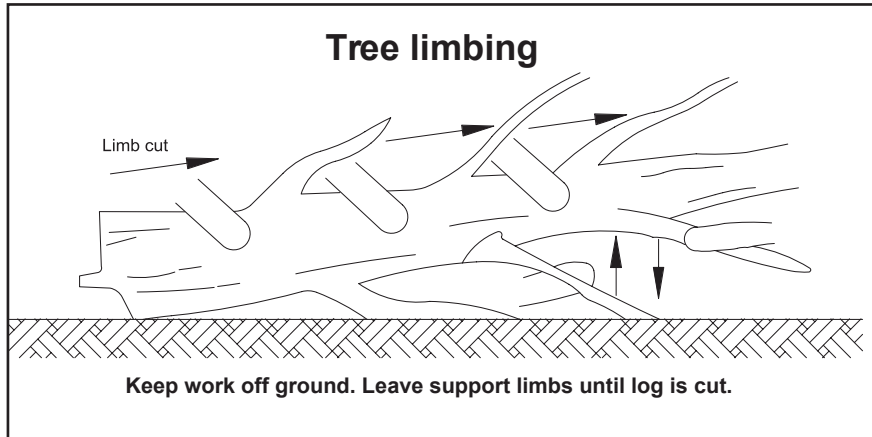
Make the felling back cut at least 1.97 in. (50 mm) higher than the horizontal notching cut (Figure- Description of felling: undercutting). Keep the felling back cut parallel to the horizontal notching cut. Make the felling back cut so enough wood is left to act as a hinge. The hinge wood keeps the tree from twisting and falling in the wrong direction. DO NOT cut through the hinge.

As the felling gets close to the hinge, the tree should begin to fall. If there is any chance that the tree may not fall in desired direction or it may rock back and bind the saw chain, stop cutting before the felling back cut is complete and use wedges of wood, plastic or aluminum to open the cut and drop the tree along the desired line of fall.

When the tree begins to fall remove the chain saw from the cut, stop the motor, put the chain saw down, then use the retreat path planned. Be alert for overhead limbs falling and watch your footing.

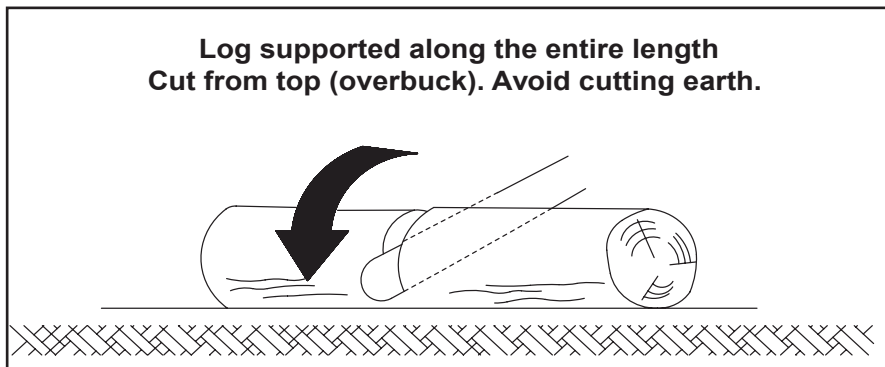
## LIMBING A TREE

Limbing is removing the branches from a fallen tree. When limbing leave larger lower limbs to support the log off the ground. Remove the small limbs in one cut (Figure-Tree limbing). Branches under tension should be cut from the bottom up to avoid binding the chain saw.

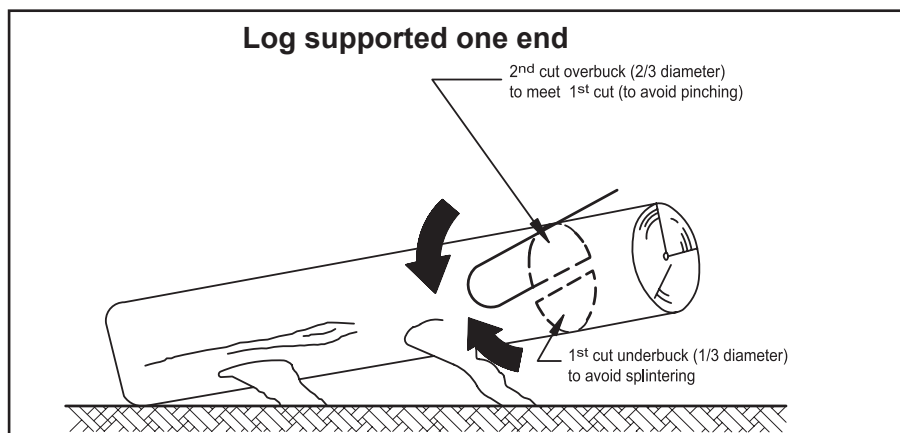


## BUCKING A LOG

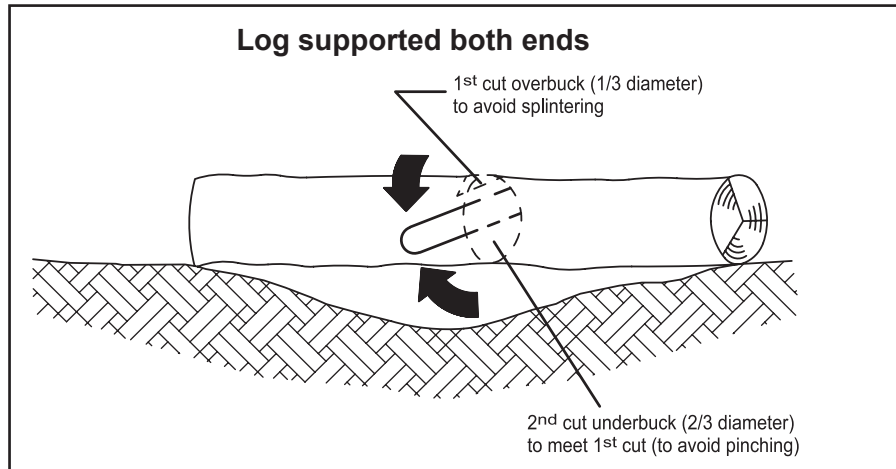
Bucking is cutting a log into lengths. It is important to make sure your footing is firm and your weight is evenly distributed on both feet. When possible, the log should be raised and supported by the use of limbs, logs or chocks. Follow the simple directions for easy cutting. When the log is supported along its entire length, it is cut from the top (overbuck) (Figure-Log supported along the entire length).



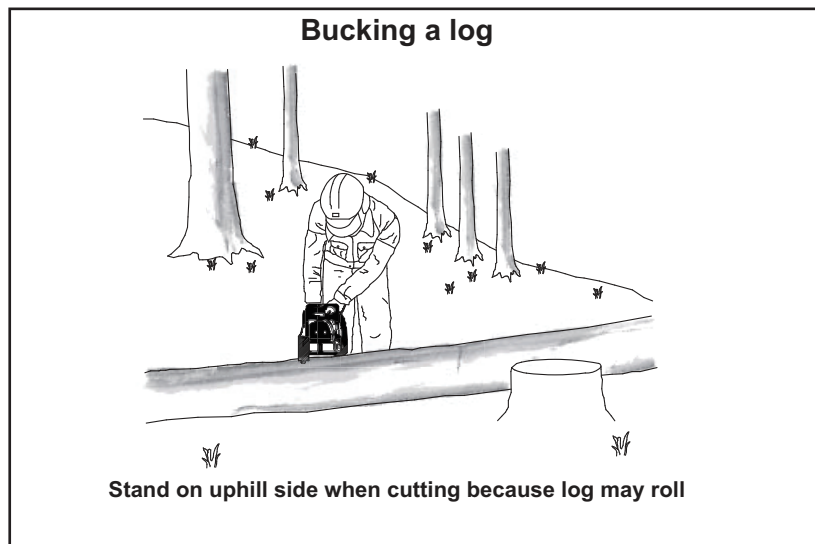
When the log is supported on one end, cut 1/3 the diameter from the underside (underbuck) (Figure-Log supported one end). Then make the finished cut by overbucking to meet the first cut.



When the log is supported on both ends, cut 1/3 the diameter from the top (overbuck) (Figure-Log supported both ends). Then make the finished cut by underbucking the lower 2/3 to meet the first cut.



When bucking on a slope always stand on the uphill side of the log (Figure-Bucking a log).



To maintain complete control when cutting through a log, release the cutting pressure near the end of the cut without relaxing your grip on the chain saw handles. Don't let the chain contact the ground. After completing the cut, wait for the saw chain to stop before you move the chain saw. Always stop the motor before moving from tree to tree.

## CARE AND MAINTENANCE

### WARNING

In order to avoid personal injury and the risk of fire and electric shock, disconnect the power supply before adjusting, inspecting, or cleaning the chain saw.

### CLEANING

- Disconnect the power supply.
- Wipe off the housing and the plastic components using a moist, soft cloth. Do not use strong solvents or detergents on the plastic housing or plastic components. Certain household cleaners may cause damage, and may cause a shock hazard.
- Clean oil outlet with a clean cloth.
- If the chain saw is to be stored for a longer period of time, clean chain and chain bar.
- DO NOT place other objects on the chain saw.
- To prevent oil leakage, ensure machine is left in a horizontal position.

### REPLACING THE SAW CHAIN AND GUIDE BAR

### WARNING

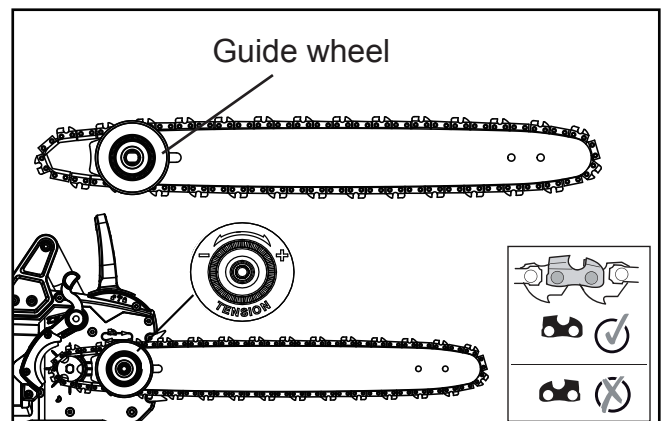
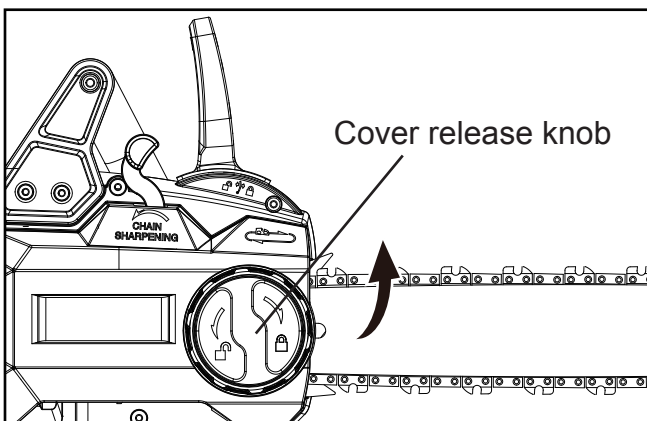
Only use replacement bar/chain in the specifications. DO NOT use any other bar/chain combination. When handling saw chains, always wear protective gloves.

Replace chain when cutters are too worn to sharpen or when chain breaks. Only use replacement chain noted in this manual. Always include new sharpening stone when replacing chain. This will maintain proper cutting speed of the chain.

1. Place the chain saw body on a firm and level surface.
2. Loosen the cover release knob to release the chain sprocket cover. Remove the chain sprocket cover.
3. Wearing protective gloves, take off the broken saw chain or the guide bar.
4. Wrap the new saw chain around the new guide bar, making sure that the teeth are aimed in the direction of rotation. The chain should be properly set in the slot running along the entire outside edge of the chain bar.
5. Place chain around drive sprocket so it fits in between the drive sprocket teeth.
6. Insert the guide bar and chain into the mount on the chain saw.
7. Turn the guide wheel to adjust the chain tension following the arrow of the guide wheel.
8. Tighten the cover release knob to secure the chain sprocket cover.

**NOTE:** The slot of the chain saw needs to be aligned with the tab on the chain sprocket cover.

9. Turn the saw chain counterclockwise to make sure it can be moved smoothly to prevent the saw chain from being pinched by the cover release knob.
10. For further use, adjust the chain tension according to the chapter "**ADJUST THE CHAIN TENSION**".



## SHARPENING THE SAW CHAIN

### WARNING


Unplug unit from power source before servicing. Severe injury or death could occur from electrical shock or body contact with moving chain. Cutting edges on chain are sharp. Use protective gloves when handling chain.


Keep chain sharp. Your saw will cut faster and more safely. A dull chain will cause undue sprocket, guide bar, chain, and motor wear. If you must force chain into wood and cutting creates only sawdust with a few large chips, then chain is dull.

The machine is equipped with the integrated sharpening system, a fast and easy way to sharpen the chain on the saw. It is time to sharpen the saw chain when cuts take longer or the wood chips become smaller, in extreme cases turning to saw dust.

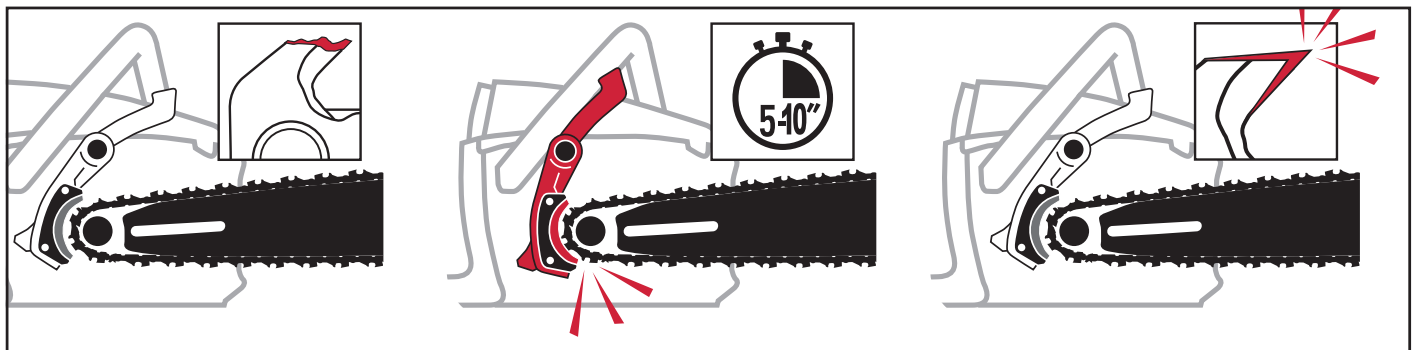
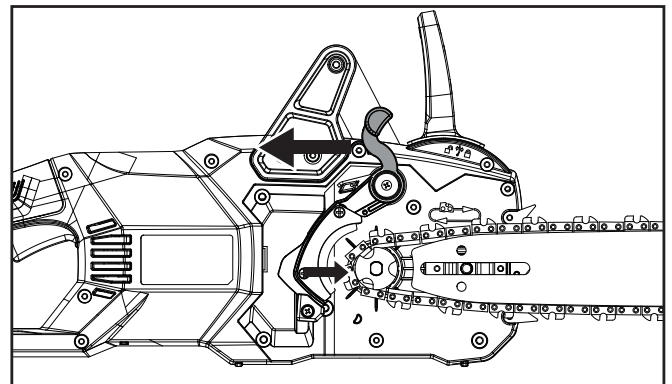
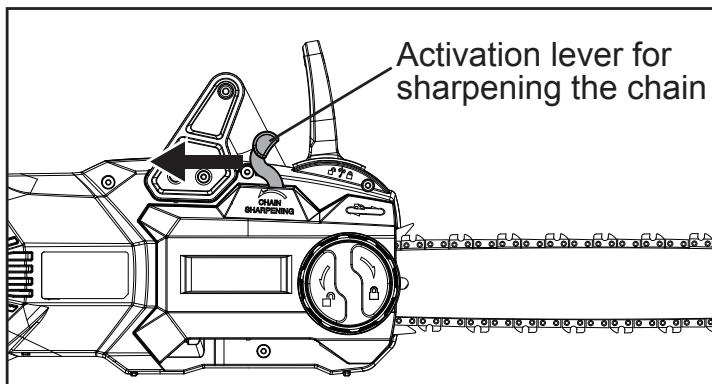
1. With the saw at full speed, lightly lift the activation lever for sharpening the chain for 5-10 seconds. Sparks will be visible when the cutters are in contact with the sharpening stone.

Make a test cut to determine if the chain has been sufficiently sharpened. If not, repeat the sharpening procedure until the chain is sufficiently sharp.

 **CAUTION:** SHARPENING WITH THE INTEGRATED SHARPENING SYSTEM PRODUCES LOW ENERGY SPARKS.

 **WARNING:** POWERSHARP SHOULD NOT BE USED IN THE PRESENCE OF EXPOSED, EXTREMELY FLAMMABLE MATERIALS, SUCH AS GASOLINE AND ACETYLENE.

**IMPORTANT:** IT IS NORMAL TO SEE A SMALL AMOUNT OF SPARKS AND SMOKE DURING SHARPENING, AS THE CUTTERS CONTACT THE STONE AND FRICTION HEATS THE CHAIN.



## REPLACING THE SHARPENING STONE

The sharpening stone is designed to wear at the same rate as the chain. Always replace the stone when replacing the chain, even if appears to have more life.



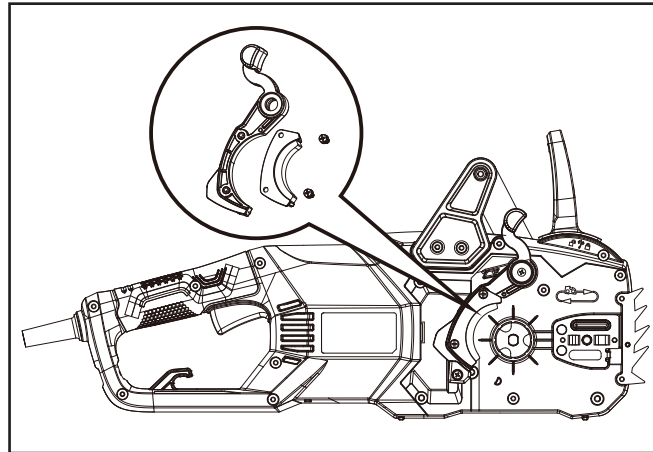
### WARNING

REPLACE SAW CHAIN AND THE SHARPENING STONE AT THE SAME TIME. FAILURE TO DO SO COULD RESULT IN DECREASED PERFORMANCE OR DAMAGE TO THE CHAIN AND/OR SHARPENING STONE.

With the chainsaw off and cool, and the power line removed from the power supply. Loosen the cover release knob to release the chain sprocket cover. Remove the chain sprocket cover.

Install the new sharpening stone as follows:

Remove the two screws holding the sharpening stone. Remove the stone. Make sure the activation lever for sharpening the chain and surrounding area are free of debris. Place the new stone in position. Replace the screws and tighten snugly. Tighten the cover release knob to secure the chain sprocket cover.



## STORAGE

Store the appliance and extension cord indoors, in a cool dry location, out of reach of children and animals.

When storing appliance in original packaging the oil tank must be completely emptied.

## TROUBLESHOOTING

If you still have questions or an unresolved issue after going through this troubleshooting guide, or just want to speak to a Kobalt product expert, please call our Kobalt customer service department at 1-888-356-2258.

PROBLEM	POSSIBLE CAUSE	CORRECTIVE ACTION
The chain saw doesn't start.	<ol style="list-style-type: none"> <li>1. Unplugged power supply.</li> <li>2. The switch is defective.</li> <li>3. The brake is engaged.</li> <li>4. The overload protection device is activated by heavy usage.</li> </ol>	<ol style="list-style-type: none"> <li>1. Plug in power supply.</li> <li>2. Have the switch replaced by an authorized service center.</li> <li>3. Move the front handle guard backward to make the brake disengaged.</li> <li>4. Wait for 1 minute to cool the device before re-starting.</li> </ol>
The chain saw does not reach full power.	<ol style="list-style-type: none"> <li>1. Extension cord not suitable for operation with this chain saw.</li> <li>2. Power source (e.g. generator) has too low voltage.</li> <li>3. Air vents are blocked.</li> </ol>	<ol style="list-style-type: none"> <li>1. Use a proper extension cord.</li> <li>2. Connect to another power source.</li> <li>3. Clean the air vents.</li> </ol>
Unsatisfactory cutting performance.	<ol style="list-style-type: none"> <li>1. Saw chain not tensioned properly.</li> <li>2. Blunt saw chain.</li> </ol>	<ol style="list-style-type: none"> <li>1. Tension properly.</li> <li>2. Sharpen or replace the saw chain.</li> </ol>
Excessive vibration/ noise.	<ol style="list-style-type: none"> <li>1. Saw chain is dull/ damaged.</li> <li>2. Bolts/nuts are loosen.</li> </ol>	<ol style="list-style-type: none"> <li>1. Replace with a new one.</li> <li>2. Tighten bolts/nuts.</li> </ol>

## **WARRANTY**

---

### **5-YEAR LIMITED WARRANTY**

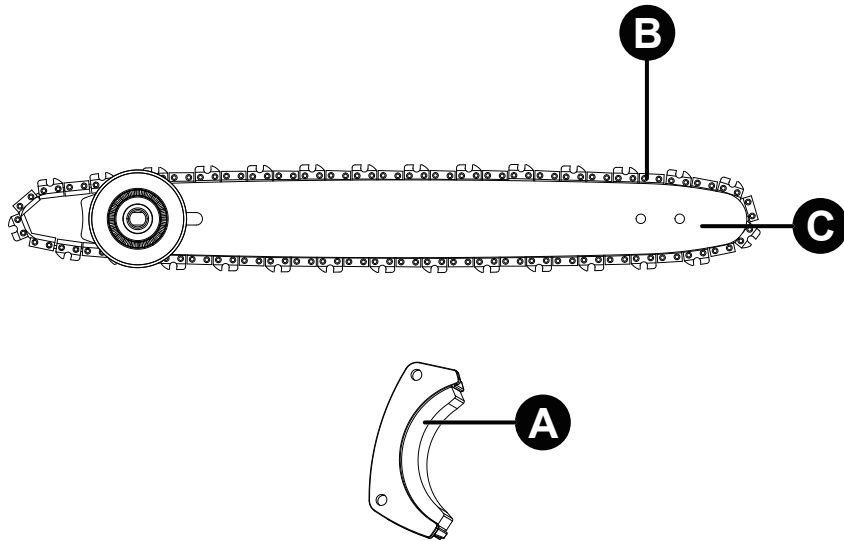
This electric chain saw is warranted to the original purchaser from the original purchase date for five (5) years subject to the warranty coverage described herein. This electric chain saw is warranted for the original user to be free from defects in material and workmanship.

If you believe that the electric chain saw is defective at any time during the specified warranty period, simply return the electric chain saw along with proof of purchase to the place of purchase for a free replacement or refund, or call 1-888-356-2258 for warranty service.

This warranty is void if: defects in materials or workmanship or damages result from repairs or alterations which have been made or attempted by others or the unauthorized use of nonconforming parts; the damage is due to normal wear, damage is due to abuse (including overloading of the tool beyond capacity), improper maintenance, neglect or accident; or the damage is due to the use of the tool after partial failure or use with improper accessories or unauthorized repair or alteration; or those replacement parts (Sharpening stone, Saw chain and Guide bar), which would become unusable after a reasonable period of use, should be bought directly from Lowe's stores or [Lowe.com](http://Lowe.com).

This warranty gives you specific legal rights, and you may also have other rights that vary from state to state.

## REPLACEMENT PARTS LIST

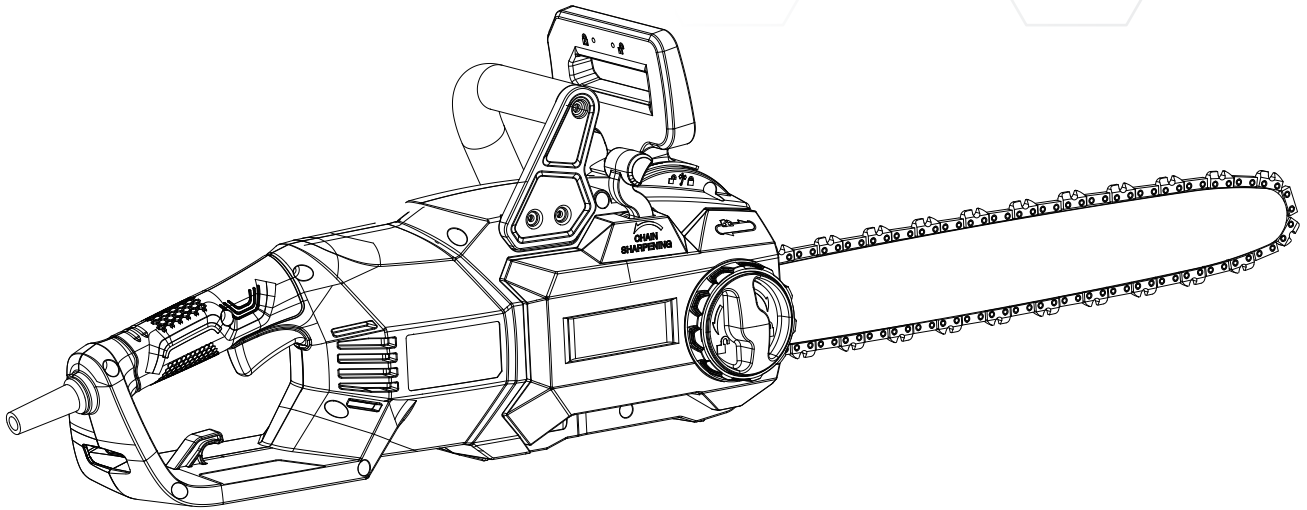


PART	DESCRIPTION	MFR. PART#	LOWES MODEL#
A	Sharpening stone	243-0177	571037(L)
B	Saw chain	243-0117	571037(L)
C	Guide bar	205001000334	180SDEA041

For replacement parts listed above, please note you can buy them from Lowe's stores or [Lowe's.com](https://www.lowes.com) directly with its item number. The saw chain and sharpening stone are packed together with the one item number. They should be purchased both and replaced at the same time on the saw to ensure the durability of saw.

For technical support, call our customer service department at 1-888-3KOBALT (1-888-356-2258), 8 a.m. - 8 p.m., EST, Monday - Sunday.

# KOBALT™



ARTÍCULO # 2493215

MODELO # A011038

## MOTOSIERRA ELÉCTRICA CON CABLE

---

**ADJUNTE SU RECIBO AQUÍ**

Número de serie \_\_\_\_\_ Fecha de compra \_\_\_\_\_



**¿Preguntas, problemas, piezas faltantes?** Antes de volver a la tienda, llame a nuestro Departamento de Servicio al Cliente al **1-888-3KOBALT (1-888-356-2258)**, de lunes a domingo de 8 a.m. a 8 p.m., hora estándar del Este.

SM20399

## ÍNDICE

Especificaciones del producto.....	27
Contenido del paquete .....	28
Símbolos .....	29
Información de seguridad .....	30
Preparación .....	38
Instrucciones de funcionamiento .....	40
Cuidado y mantenimiento.....	47
Solución de problemas .....	51
Garantía .....	52
Lista de piezas de repuesto .....	53

## ESPECIFICACIONES DEL PRODUCTO

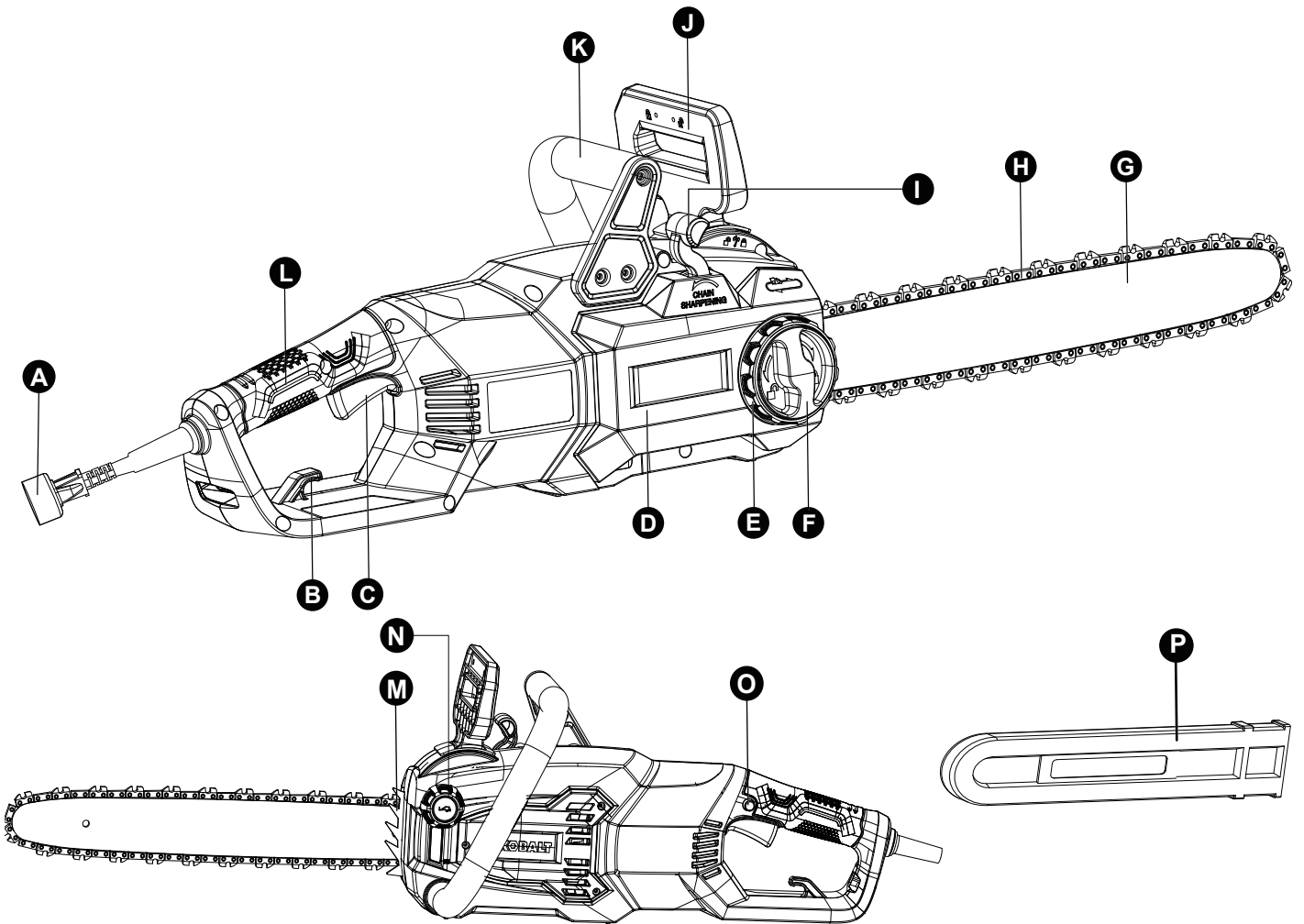
ESPECIFICACIONES	
Rango de voltaje	120 V ~ 60 Hz
Alimentación	15 A
Velocidad máxima sin carga	6400 RPM $\pm$ 10 %
Velocidad máxima de la cadena	12 m/s
Capacidad del tanque de combustible	170,05 ml (5,75 oz)
Modelo de barra de sierra	45,72 cm, 180SDEA041, Oregon
Modelo de cadena de la sierra	45,72 cm (18 pulg.), 91PS062X, Oregon
Longitud máxima de corte	40,5 cm (15.94 pulg.)
Peso (cadena de sierra y barra guía)	5,48 kg (12,1 lb)

**NOTA: utilice y mantenga únicamente el cumplimiento de las combinaciones recomendadas de barra y cadena de acuerdo con las "ESPECIFICACIONES".**

**El rango de temperatura ambiente recomendado:**

Artículo	Temperatura
Rango de temperatura de almacenamiento de la motosierra	-20 °C a 70 °C (-4 °F a 158 °F)
Rango de temperatura de funcionamiento de la motosierra	-17 °C a 40 °C (1,4 °F a 104 °F)

## CONTENIDO DEL PAQUETE



PIEZA	DESCRIPCIÓN
A	Enchufe de alimentación
B	Bloqueo de cordón
C	Interruptor de gatillo
D	Cubierta de la rueda dentada de la cadena
E	Perilla de tensado de la cadena
F	Perilla de liberación de la cubierta
G	Barra guía
H	Cadena de la sierra
I	Palanca de activación para afilar la cadena
J	Protector del mango delantero
K	Manija auxiliar
L	Mango
M	Parachoques con púas
N	Tapa del tanque de combustible
O	Botón de bloqueo
P	Cubierta





## SÍMBOLOS

Algunos de los siguientes símbolos pueden aplicarse al uso de este producto. Obsérvelos y aprenda su significado. La interpretación correcta de estos símbolos le permitirá utilizar el producto de manera eficaz y segura.

SÍMBOLOS	NOMBRE	DESIGNACIÓN/EXPLICACIÓN
V	Voltios	Voltaje
A	Amperios	Corriente
Hz	Hertz	Frecuencia (ciclos por segundo)
~	Corriente alterna	Tipo o característica de corriente
	De clase II para construcción	Fabricación de doble aislamiento
RPM	Velocidad giratoria	Revoluciones por minuto
/min	Por minuto	Revoluciones, pasadas, velocidad de superficie, órbitas, etc. por minuto
	Protección auditiva	Use siempre protección auditiva.
	Lea el manual del operador	Para reducir el riesgo de lesiones, el usuario debe leer y comprender el manual del operador antes de utilizar este producto.
	Lentes de protección	Siempre use lentes de protección lateral que cumplan con la norma ANSI Z87.1.
	Alerta de seguridad	Precauciones que involucran su seguridad.
	La punta de la barra de la cadena	Evite el contacto de la punta de la barra de la cadena con cualquier objeto.
	Contacto de la punta	El contacto de la punta puede ocasionar que la barra de la cadena se mueva repentinamente hacia delante y hacia atrás, lo cual puede producir lesiones graves.
	Dos manos	Utilice siempre ambas manos al operar la motosierra.
	La alimentación	Mantenga siempre el cable de alimentación alejado de fuentes de calor, aceites o bordes filosos. En caso de que el cable esté dañado o enredado, desenchúfelo inmediatamente de la red eléctrica.
	Alerta de condiciones de humedad	No exponga esta herramienta a la lluvia ni la utilice en áreas húmedas.

## **SÍMBOLOS**

Se usan las siguientes indicaciones y sus significados para explicar los niveles de riesgo asociados a este producto.

SÍMBOLO	INDICACIÓN	SIGNIFICADO
	PELIGRO	Indica una situación de peligro inminente que, de no evitarse, ocasionará la muerte o lesiones graves.
	ADVERTENCIA	Indica una situación potencialmente peligrosa que, de no evitarse, puede resultar en la muerte o en lesiones graves.
	PRECAUCIÓN	Indica una situación potencialmente peligrosa que, de no evitarse, puede ocasionar lesiones menores o moderadas.
	PRECAUCIÓN	(Sin símbolo de alerta de seguridad) Indica una situación que puede ocasionar daños materiales.

## **ADVERTENCIA**

- Para evitar lesiones personales graves, no intente usar este producto hasta que haya leído y comprendido completamente este manual del propietario. Si no comprende las advertencias e instrucciones de este manual del propietario, no utilice este producto.  
Llame al 1-888-356-2258 para obtener ayuda.



La operación de cualquier herramienta eléctrica puede arrojar objetos extraños a sus ojos y, de esta manera, causar graves daños oculares. Antes de operar una herramienta eléctrica, use siempre lentes o gafas de seguridad con protecciones laterales y un protector facial cuando sea necesario. Recomendamos usar una máscara de seguridad de visión amplia sobre los lentes o las gafas de seguridad estándar con protección lateral. Siempre use lentes de protección que cumplan con la norma ANSI Z87.1.

## **INFORMACIÓN DE SEGURIDAD**

### INSTRUCCIONES IMPORTANTES DE SEGURIDAD

#### LEA LAS INSTRUCCIONES ANTES DE UTILIZAR

## **ADVERTENCIA**

Lea y comprenda todas las instrucciones antes de usar este producto. Si no se siguen todas las instrucciones detalladas a continuación, existe la posibilidad de una descarga eléctrica, un incendio y/o lesiones graves a la persona.

- Lea con cuidado las instrucciones. Familiarícese con los controles y el uso adecuado de la unidad.
- **NO opere esta unidad sin leer las instrucciones.**
- Lea con cuidado las instrucciones. Familiarícese con los controles y el uso adecuado de la unidad.
- **NO use esta unidad si está cansado, enfermo, o bajo la influencia del alcohol, drogas o medicamentos.**
- **Nunca permita que los niños utilicen la unidad. Un adulto debe capacitar, acompañar y supervisar a los adolescentes. Nunca permita que adultos usen la unidad sin la instrucción apropiada.**



# INFORMACIÓN DE SEGURIDAD

---

- **Todos los protectores y accesorios de seguridad deben instalarse correctamente antes de operar la unidad.**
- **Inspeccione la unidad antes de su uso. Reemplace las piezas dañadas.** Verifique que no haya fugas. Asegúrese de que todos los sujetadores estén en su lugar y seguros. Reemplace las piezas que estén agrietadas, astilladas o dañadas de alguna manera. NO opere la unidad con piezas sueltas o dañadas.
- **Tenga en cuenta el riesgo de lesiones en la cabeza, las manos y los pies.**
- **Inspeccione cuidadosamente el área antes de encender la unidad.** Retire los objetos que puedan ser lanzados por la unidad o que puedan enredarse en esta, como rocas, vidrios rotos, clavos, alambres o cuerdas.
- **Despeje el área de niños, transeúntes y mascotas; manténgalos a un radio de 15,24 m (50 pies), como mínimo.** Incluso entonces, todavía corren el riesgo por los objetos lanzados. Pida a los transeúntes que usen lentes de protección. Si se acercan, detenga la unidad inmediatamente.
- **Esta unidad está destinada solo para uso doméstico ocasional.**

## DURANTE EL FUNCIONAMIENTO

- **Use gafas de seguridad o anteojos que cumplan con las normas ANSI/ISEA Z87.1 actuales y estén marcados como tales.** Use lentes de protección/auriculares de seguridad cuando opere esta unidad. Utilice una máscara o una mascarilla antipolvo en condiciones de polvo.
- **Use pantalones largos pesados, botas, guantes y mangas largas.** NO use ropa holgada, joyas, pantalones cortos, sandalias ni tenga los pies descalzos. Asegure el cabello por encima del nivel de los hombros.
- **Use la unidad solo durante el día o con una buena luz artificial.**
- **Evite los arranques accidentales. Esté en la posición inicial siempre que tire de la cuerda de arranque.** El operador y la unidad deben estar en una posición estable al arrancar.
- **Use la herramienta correcta.** Use esta herramienta únicamente para el fin para el cual fue concebida.
- **Siempre sostenga la unidad con ambas manos cuando la utilice.** Mantenga un agarre firme en ambos mangos o empuñaduras.
- **NO se extienda demasiado. Mantenga siempre una posición y un equilibrio adecuados.** Tenga especial cuidado al trabajar en escaleras, pendientes pronunciadas o superficies inclinadas. Para evitar lesiones graves, NO opere la unidad mientras esté en una escalera o un techo.
- **Mantenga las manos, la cara y los pies lejos de todas las piezas móviles.** NO toque ni intente detener las piezas móviles.
- **NO toque el motor ni el silenciador.** Estas piezas se calientan mucho durante el funcionamiento, incluso después de apagar la unidad.
- **NO opere la unidad más rápido que la velocidad necesaria para realizar el trabajo.** NO haga funcionar la unidad a alta velocidad cuando no esté en uso.
- **NO fuerce la unidad. Hará un trabajo mejor y más seguro si se usa a la velocidad prevista.**
- **Detenga siempre la unidad cuando el funcionamiento se retrase o cuando camine de un lugar a otro.**
- **Antes de colocar la unidad, ASEGÚRESE siempre de que el motor esté apagado y que todas las piezas móviles se hayan detenido.**
- **Si golpea o se enreda con un objeto extraño, detenga la unidad inmediatamente y compruebe si hay daños.** NO opere la unidad antes de reparar el daño. NO opere la unidad con piezas sueltas o dañadas.
- **Desenchufe la unidad para realizar tareas de mantenimiento o reparación.**



## INFORMACIÓN DE SEGURIDAD

---

- **Utilice únicamente piezas de repuesto y accesorios de fabricantes de equipos originales (OEM) para esta unidad.** El uso de cualquier otra pieza o accesorio que no sea idéntico podría provocar lesiones graves al usuario o daños a la unidad y anulará la garantía.
- **Mantenga la unidad limpia.** Retire con cuidado la vegetación y otros escombros que podrían bloquear las piezas móviles.
- **Para reducir el riesgo de incendio, mantenga las salidas de aire libres de césped, hojas o grasa excesiva.**
- **Si la unidad comienza a vibrar de forma anormal, detenga la unidad inmediatamente.** Inspeccione la unidad en busca de la causa de la vibración. Por lo general, la vibración es un indicador de problema.

### SEGURIDAD DE LOS NIÑOS

Pueden ocurrir accidentes trágicos si el operador no está atento a la presencia de niños.

- Mantenga a los niños fuera del área de trabajo y bajo estricta vigilancia de un adulto responsable.
- No permita que niños menores de 14 años usen esta motosierra. Los niños de 14 años o más deben leer y comprender las instrucciones de funcionamiento y las normas de seguridad en este manual, además de ser entrenados y supervisados por sus padres.
- Esté alerta y apague la motosierra si un niño o cualquier otra persona ingresan al área de trabajo.
- Tenga extremo cuidado cuando se acerque a esquinas ciegas, entradas de puertas, arbustos, árboles u otros objetos que puedan bloquearle la vista de un niño que pudiera correr hacia la motosierra.



## ADVERTENCIA (PROPUESTA 65)

Parte del polvo causado por el lijado eléctrico, el serruchado, la trituración, el taladrado y otras actividades de la construcción contienen sustancias químicas que causan cáncer, defectos congénitos u otros daños en el aparato reproductivo. Algunos ejemplos de estos productos químicos son:

- Plomo de pinturas a base de plomo
- Sílice cristalina de ladrillos, cemento y otros productos de mampostería
- Arsénico y cromo de madera tratada con químicos.

El riesgo que corre debido a la exposición a estos productos químicos varía según la frecuencia con que realiza este tipo de trabajo. Para reducir su exposición a estas sustancias químicas, trabaje en un área bien ventilada y utilice un equipo de seguridad aprobado, como las mascarillas antipolvo especialmente diseñadas para filtrar estas partículas microscópicas.

### SEGURIDAD ELÉCTRICA

- Los circuitos o tomacorrientes que se utilizan con la motosierra deben contar con protección de interruptores de falla de puesta a tierra (GFCI). Existen tomacorrientes con protección GFCI incorporada que se pueden utilizar para cumplir con esta medida de seguridad.
- Las líneas de suministro de energía eléctrica no deben tener una masa inferior a la de sjow, sjtw o su equivalente resistente a la lluvia y el aceite que cumplan los requisitos del reglamento eléctrico nacional ANSI / NPA 70 y el Código Eléctrico del Canadá, parte I CSA c22.1. Antes de su uso, compruebe que la extensión eléctrica está en buenas condiciones. Cuando utilice una extensión eléctrica, asegúrese de utilizar una que sea lo suficientemente pesada como para conducir la corriente que su producto necesita. Para largos menores de 15,24 m (50 pies), se debe usar una extensión eléctrica No.14 AWG (o No.12). Un cable de tamaño menor que el requerido causará una baja en el voltaje de la línea. Esto podría provocar un corte de energía y sobrecalentamiento.



# INFORMACIÓN DE SEGURIDAD



## ADVERTENCIA



Una descarga eléctrica puede causar LESIONES GRAVES o la MUERTE. Preste atención a estas advertencias:

- No permita que ninguna parte de la motosierra entre en contacto con el agua mientras esté en funcionamiento. Si el electrodoméstico se moja mientras está apagado, séquelo antes de encenderlo.
- No utilice una extensión eléctrica de más de 30,48 m (100 pies).
- No toque el electrodoméstico o su enchufe con las manos mojadas o mientras esté parado en el agua. El uso de botas de goma ofrece cierta protección.

### TABLA DE EXTENSIÓN ELÉCTRICA

Largo de la extensión eléctrica	Hasta 15,24 m (50 pies)	15,24 m a 30,48 m (50 pies a 100 pies)
Calibre del cable (A.W.G.):	14 / 12	No recomendado

- Para reducir el riesgo de descarga eléctrica, este electrodoméstico posee un enchufe polarizado (una clavija es más ancha que la otra). Utilice este electrodoméstico solo con una extensión eléctrica polarizada con clasificación UL, CSA o ETL para uso en exteriores y en todas las condiciones climáticas. El enchufe del artefacto encaja en una extensión eléctrica polarizada de una sola manera.

Si el enchufe del electrodoméstico no encaja completamente en la extensión eléctrica, inviértalo. Si el enchufe aun así no encaja, adquiera una extensión eléctrica polarizada adecuada. Una extensión eléctrica polarizada puede requerir el uso de un tomacorriente de pared polarizado. El enchufe de la extensión eléctrica solo encajará en el tomacorriente de pared polarizado de una sola manera. Si el enchufe no encaja por completo en el tomacorriente de pared, inviértalo. Si el enchufe aun así no encaja, póngase en contacto con un electricista calificado para que instale un tomacorriente de pared adecuado. No modifique el enchufe del electrodoméstico, el receptáculo de la extensión eléctrica ni el enchufe de la extensión eléctrica de ninguna manera.

Advertencia: para reducir el riesgo de lesiones personales debido a una conexión eléctrica poco firme entre el enchufe del electrodoméstico y la extensión eléctrica, conecte firme y completamente el enchufe del electrodoméstico a la extensión eléctrica. Compruebe periódicamente la conexión mientras opera el equipo para asegurarse de que está completamente conectado. No utilice una extensión eléctrica que proporcione una conexión suelta. Una conexión suelta puede provocar un sobrecalentamiento, un incendio y aumentar el riesgo de quemaduras.

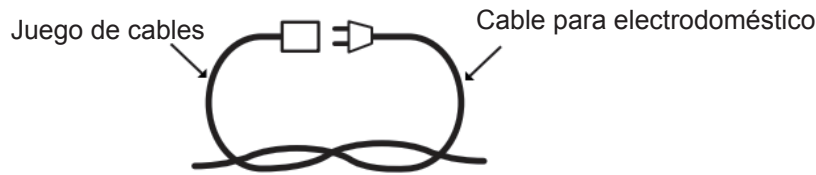
Mantenga el electrodoméstico con cuidado: inspeccione las extensiones eléctricas periódicamente y reemplácelas si están dañadas.

- Para evitar que el cable para electrodoméstico se desconecte de la extensión eléctrica durante el uso, haga un nudo con los dos cables como se muestra en la Gráficos 1.

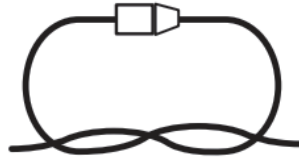


# INFORMACIÓN DE SEGURIDAD

Gráficos 1. Método para asegurar la extensión eléctrica



(A) Ate el cable como se muestra



(B) Conecte el enchufe y el tomacorriente

- No maltrate el cable. Nunca jale la motosierra por el cable ni tire del cable para desconectarlo del tomacorriente. Mantenga el cable alejado del calor, el aceite y los bordes filosos.

## ADVERTENCIAS DE SEGURIDAD GENERAL EN EL MANEJO DE HERRAMIENTAS ELÉCTRICAS



### ADVERTENCIA

Lea todas las advertencias de seguridad y todas las instrucciones. El incumplimiento de las advertencias y las instrucciones podría provocar descargas eléctricas, incendios o lesiones graves. **Guarde todas las advertencias e instrucciones para referencia futura.**

#### 1. Seguridad en el área de trabajo

- Mantenga el área de trabajo limpia y bien iluminada.** Las áreas desordenadas u oscuras aumentan las posibilidades de accidentes.
- NO utilice herramientas eléctricas en atmósferas en las que exista riesgo de explosión, como en presencia de líquidos, gases o polvo inflamables.** Las herramientas eléctricas producen chispas que podrían encender el polvo o humo.
- Mantenga a los niños y transeúntes alejados mientras opera una herramienta eléctrica.** Las distracciones pueden provocar que pierda el control.

#### 2. Seguridad eléctrica

- Los enchufes de las herramientas eléctricas deben encajar en el tomacorriente. No modifique el enchufe de ninguna manera.** NO utilice ningún enchufe adaptador con herramientas eléctricas con puesta a tierra. Los enchufes sin modificaciones y que encajan en los tomacorrientes reducen el riesgo de descarga eléctrica.
- Evite el contacto del cuerpo con superficies conectadas a tierra, como tuberías, radiadores, estufas o refrigeradores.** Si su cuerpo tiene conexión a tierra, existe un riesgo mayor de sufrir una descarga eléctrica.
- NO exponga las herramientas eléctricas a la lluvia o a condiciones de humedad.** Si ingresa agua en una herramienta eléctrica, aumentará el riesgo de descarga eléctrica.
- NO maltrate el cable.** Nunca use el cable para transportar, jalar ni desenchufar la herramienta eléctrica. Mantenga el cable alejado del calor, el aceite, los bordes filosos o las piezas en movimiento. Los cables dañados o enredados aumentan el riesgo de descarga eléctrica.
- Cuando utilice una herramienta eléctrica en exteriores, use una extensión eléctrica adecuada para uso en exteriores.** Usar un cable apto para exteriores reduce el riesgo de sufrir una descarga eléctrica.



# INFORMACIÓN DE SEGURIDAD

---

f. **Si es inevitable utilizar una herramienta eléctrica en un lugar húmedo, use un suministro protegido con un interruptor diferencial residual (RCD, por sus siglas en inglés).** El uso de un RCD disminuye el riesgo de descargas eléctricas. Recomendación para el uso de un dispositivo de corriente residual con una corriente de disparo de 30 mA o menos.

## 3. Seguridad personal

a. **Manténgase alerta, observe lo que hace y actúe con sentido común al operar una herramienta eléctrica.** NO utilice una herramienta eléctrica si está cansado o bajo los efectos de drogas, alcohol o medicamentos. Un momento de desatención mientras opera herramientas eléctricas puede provocar lesiones personales graves.

b. **Use un equipo de protección personal. Use siempre lentes de protección.** Los equipos de protección, como mascarillas antipolvo, zapatos de seguridad antideslizantes, casco protector o protección auditiva utilizados para las condiciones adecuadas disminuyen las lesiones personales.

c. **Evite que se encienda accidentalmente.** Asegúrese de que el interruptor esté en la posición de apagado antes de conectar la herramienta a la fuente de alimentación o al paquete de baterías, o antes de levantarla o transportarla. Transportar herramientas eléctricas con el dedo en el interruptor o enchufar herramientas eléctricas que tienen el interruptor encendido aumenta las posibilidades de sufrir accidentes.

d. **Retire todas las llaves de ajuste o llaves inglesas antes de encender la herramienta eléctrica.** Si se deja una llave inglesa o una llave conectada a una pieza giratoria de la herramienta eléctrica, se pueden producir lesiones personales.

e. **NO se extienda demasiado.** Mantenga una postura y un equilibrio adecuados en todo momento. Esto permite un mejor control de la herramienta eléctrica en situaciones inesperadas.

f. **Use ropa adecuada. NO use ropa holgada ni joyas.** Mantenga el cabello, la ropa y los guantes lejos de las piezas en movimiento. La ropa holgada, las joyas o el cabello largo pueden quedar atrapados en las piezas en movimiento.

g. **Si se proporcionan dispositivos para la conexión de instalaciones de extracción y recolección de polvo, asegúrese de que se conecten y se usen debidamente.** Utilizar un sistema de recolección de polvo puede disminuir los peligros relacionados con el polvo.

## 4. Uso y cuidado de las herramientas eléctricas

a. **NO fuerce la herramienta eléctrica. Use la herramienta eléctrica adecuada para la tarea.** La herramienta eléctrica adecuada realizará un trabajo más seguro y de mejor calidad al ritmo para el que se diseñó.

b. **NO utilice la herramienta eléctrica si el interruptor no la enciende o apaga.** Cualquier herramienta eléctrica que no pueda controlarse con el interruptor es peligrosa y debe repararse.

c. **Desconecte el enchufe de la fuente de alimentación o batería de la herramienta eléctrica antes de realizar cualquier ajuste, cambiar accesorios o almacenar herramientas eléctricas.** Este tipo de medidas de seguridad preventivas reduce el riesgo de arranques accidentales de la herramienta eléctrica.

d. **Guarde las herramientas eléctricas que no estén en uso fuera del alcance de los niños.** NO permita que personas que no estén familiarizadas con la herramienta eléctrica o con estas instrucciones la usen. Las herramientas eléctricas son peligrosas en manos de usuarios no calificados.

e. **Realice mantenimiento a las herramientas eléctricas.** Revise si las piezas móviles están, desalineadas, torcidas o rotas, o si existe cualquier otra condición que pueda afectar la operación de las herramientas eléctricas. Si se daña la herramienta eléctrica, hágala reparar



# INFORMACIÓN DE SEGURIDAD

antes de usarla. Muchos accidentes son producto del mantenimiento incorrecto de las herramientas eléctricas.

- f. **Mantenga las herramientas de corte afiladas y limpias.** Las herramientas de corte que se mantienen adecuadamente con sus bordes de corte afilados son menos propensas a trabarse y son más fáciles de controlar.
- g. **Use la herramienta eléctrica, los accesorios, las brocas, etc. de acuerdo con estas instrucciones, considerando las condiciones de trabajo y la tarea que desea realizar.** El uso de la herramienta eléctrica en operaciones para las que no fue diseñada podría crear una situación de peligro.

## 5. Reparación

- a. **Permita que solo una persona capacitada repare la herramienta eléctrica, utilizando solo piezas de repuesto idénticas.** De esta forma, se asegurará de mantener la seguridad de la herramienta eléctrica.

## ADVERTENCIAS DE SEGURIDAD DE LA MOTOSIERRA

- **Mantenga todas las partes del cuerpo alejadas de la cadena de la motosierra cuando la motosierra esté en funcionamiento.** Antes de arrancar la motosierra, asegúrese de que la cadena de la sierra no esté en contacto con nada. Un momento de desatención mientras opera las motosierras puede provocar el enredo de su ropa o su cuerpo con la motosierra.
- **Sostenga siempre la motosierra con la mano derecha en la manija trasera y la mano izquierda en la manija delantera.** Sostener la motosierra con una configuración de manos invertida aumenta el riesgo de lesiones personales. Esto no debe hacerse nunca.

**NOTA:** para las motosierras diseñadas con la barra de la cadena en el lado izquierdo, la referencia a la posición "mano derecha" y "mano izquierda" está invertida.

- **Sujete la herramienta eléctrica únicamente por las superficies de agarre aisladas. La cadena de la sierra puede entrar en contacto con cables ocultos o con su propio cable.** Las motosierras que entren en contacto con un cable "energizado" pueden exponer las piezas metálicas "energizadas" de la herramienta eléctrica y podrían provocarle una descarga eléctrica al operador.
- **Use gafas de seguridad y auriculares de seguridad.** Se recomienda usar equipo adicional de protección para la cabeza, las piernas y los pies. La ropa de protección adecuada reducirá las lesiones personales causadas por escombros en vuelo o contacto accidental con la motosierra.
- **NO opere la motosierra en un árbol.** La operación de una motosierra mientras se encuentra en un árbol puede provocar lesiones personales.
- **Mantenga siempre una postura adecuada y opere la motosierra solo cuando se encuentre en una superficie fija, segura y nivelada.** Las superficies resbalosas o inestables como las escaleras pueden provocar una pérdida de equilibrio o control de la motosierra.
- **Cuando corte una rama que esté bajo tensión, esté alerta por si regresa a su sitio.** Cuando la tensión de las fibras de la madera se libere, la rama accionada por resorte puede golpear al operador o poner la motosierra fuera de control.
- **Tenga mucho cuidado cuando corte maleza y árboles jóvenes.** El material más liviano puede enredarse en la motosierra y ser lanzado contra usted o hacerle perder el equilibrio.
- **Transporte la motosierra por el mango delantero con la motosierra apagada y alejada de su cuerpo.** El manejo adecuado de la motosierra reducirá la probabilidad de contacto accidental con el movimiento de la motosierra.
- **Siga las instrucciones para lubricar, tensionar la cadena y reemplazar accesorios.** Una

cadena tensionada o lubricada de manera incorrecta puede romperse o aumentar la probabilidad de contragolpe.

- **Mantenga los mangos secos, limpios y sin aceite ni grasa.** Los mandos engrasados o aceitados son resbaladizos y pueden causar la pérdida de control.
- **Corte solo madera. NO use la motosierra para fines no previstos. Por ejemplo: NO use la motosierra para cortar plástico, mampostería ni materiales de construcción que no sean de madera.** El uso de la motosierra en operaciones distintas para las que fue diseñada podría crear una situación de peligro.

#### **Causas y prevención de un contragolpe del operador:**

El contragolpe puede ocurrir cuando la punta de la barra de la cadena toca un objeto, o cuando la madera se cierra y aprieta la cadena de la sierra en el corte. El contacto con la punta en algunos casos puede causar una reacción inversa repentina, empujando la barra de la cadena hacia arriba y hacia el operador. Apretar la cadena de la sierra a lo largo de la parte superior de la barra de la cadena puede mover la barra de la cadena rápidamente hacia atrás, hacia el operador. Cualquiera de estas reacciones puede hacer que pierda el control de la sierra, lo que podría provocar lesiones personales graves. NO confíe exclusivamente en los dispositivos de seguridad incorporados en la sierra. Como usuario de motosierras, debe tomar varias medidas para mantener sus trabajos de corte libres de accidentes o lesiones. El retroceso es la consecuencia del uso inadecuado de la herramienta y/o condiciones o procedimientos de funcionamiento incorrectos, y se puede evitar al tomar precauciones adecuadas como se indica a continuación:

- **Mantenga un agarre firme, con los pulgares y los dedos rodeando los mangos de la motosierra, con ambas manos en la sierra y coloque su cuerpo y brazo de forma que le permitan resistir las fuerzas del contragolpe.** El operador puede controlar las fuerzas del contragolpe si toma las precauciones correctas. NO suelte la motosierra.
- **NO se extienda demasiado y NO corte por encima de la altura de los hombros.** Esto ayuda a evitar el contacto involuntario con la punta y permite un mejor control de la motosierra en situaciones inesperadas.
- **Utilice únicamente barras y cadenas de repuesto especificadas por el fabricante.** Las barras y cadenas de repuesto incorrectas pueden causar roturas de la cadena o contragolpe.
- **Siga las instrucciones de afilado y mantenimiento del fabricante para la motosierra.** La disminución de la altura del medidor de profundidad puede provocar un mayor contragolpe.

## **GUARDE ESTAS INSTRUCCIONES**

### **PREPARACIÓN**

---

La motosierra viene completamente ensamblada. NO deseche la caja o el material de embalaje hasta que se hayan examinado todas las piezas.

El usuario debe llenar el tanque de combustible y verificar la tensión correcta de la cadena antes de usar.

Este electrodoméstico se proporciona con doble aislamiento. Utilice solo piezas de repuesto idénticas a las de fabricación. Consulte las instrucciones para dar mantenimiento a electrodomésticos con doble aislamiento.

Los artefactos con doble aislamiento cuentan con dos sistemas de aislamiento en lugar de una conexión a tierra.

Estos artefactos no cuentan con una conexión a tierra ni se les debe agregar. El mantenimiento de un artefacto con doble aislamiento requiere extremo cuidado y amplios conocimientos del sistema, por lo que solo debe estar a cargo de personal de mantenimiento calificado.

Las piezas de repuesto para un artefacto con doble aislamiento deben ser idénticas a las piezas que reemplazan.

## PREPARACIÓN

### LUBRICACIÓN DE LA CADENA DE LA SIERRA

Nunca opere la sierra de cadena sin aceite para cadena de sierra. El uso de la motosierra sin suficiente aceite dañará la unidad.

Utilice únicamente aceite especial para cadenas de sierra. Otros aceites correrán el riesgo de dañar la unidad y anular la garantía.

Tenga en cuenta las condiciones de temperatura. El uso de la sierra a diferentes temperaturas requiere el uso de diferentes aceites. Para garantizar una capa adecuada de lubricante a temperaturas más bajas, use aceite líquido (baja viscosidad).

### LLENADO DEL TANQUE DE ACEITE

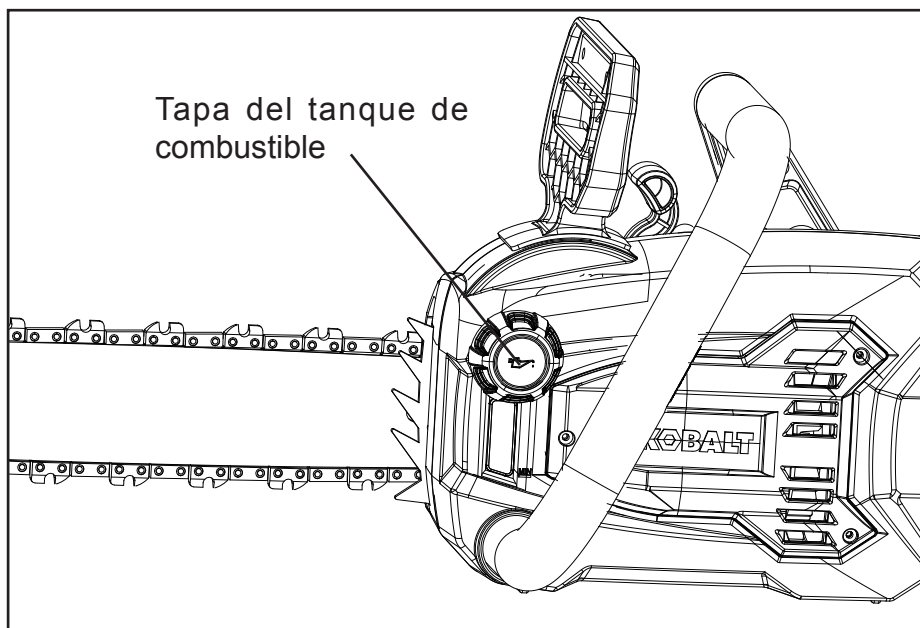


#### ADVERTENCIA

La motosierra NO se suministra llena de aceite. Es esencial llenar el tanque con aceite antes de usar el producto. Nunca opere la motosierra sin aceite de cadena o con un tanque de aceite vacío, ya que esto provocará daños importantes al producto. La vida útil y la capacidad de corte de la cadena dependen de una lubricación óptima. Por lo tanto, la cadena se lubrica automáticamente durante el funcionamiento a través de la salida de aceite.

1. Coloque la motosierra sobre una superficie nivelada. Limpie el área alrededor de la tapa del tanque de aceite y luego ábrala.
2. Llene el tanque de aceite con aceite para cadenas de sierra. Al hacerlo, asegúrese de que no entre suciedad en el tanque de aceite para que la boquilla de aceite no se obstruya.
3. Cierre la tapa del tanque de aceite.

**NOTA:** es normal que se filtre aceite de la sierra cuando esta no está en uso. Para evitar un incendio, limpie el aceite que rezuma con un paño al llenar el aceite, vacíe el tanque de aceite después de cada uso. Cuando almacene la unidad durante un período prolongado (3 meses o más), asegúrese de que la cadena esté ligeramente lubricada.



## PREPARACIÓN

### AJUSTE LA TENSIÓN DE LA CADENA

Compruebe siempre la tensión de la cadena antes de usar, después de los primeros cortes y de manera periódica durante el uso, aproximadamente cada 10 minutos. Tras la operación inicial, las cadenas nuevas pueden alargarse considerablemente.

**⚠ ADVERTENCIA:** desenchufe la motosierra de la fuente de energía antes de ajustar la tensión de la cadena de la sierra.

**⚠ ADVERTENCIA:** los bordes cortantes de la cadena están afilados. Utilice guantes protectores al manipular la cadena.

**⚠ ADVERTENCIA:** mantenga siempre la tensión adecuada de la cadena. Una cadena suelta aumentará el riesgo de contragolpe. Una cadena suelta puede salirse de la ranura de la barra guía. Esto puede lesionar al operador y dañar la cadena. Una cadena suelta hará que la cadena, la barra de la cadena y la rueda dentada se desgasten rápidamente.

La vida útil de la cadena de la sierra depende principalmente de una lubricación suficiente y de un tensado correcto.

Evite tensar la cadena si está caliente, ya que esto hará que la cadena se tense demasiado cuando se enfríe.

Compruebe la tensión de la cadena antes de usarla. Si la tensión de la cadena es incorrecta, apriete o afloje la cadena y la barra a la mejor posición. La motosierra se puede usar solo con la condición de que la tensión de la cadena sea correcta y la barra esté fija por seguridad.

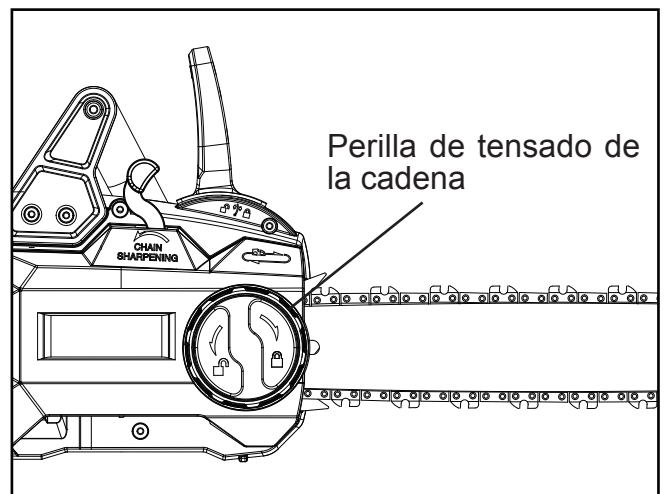
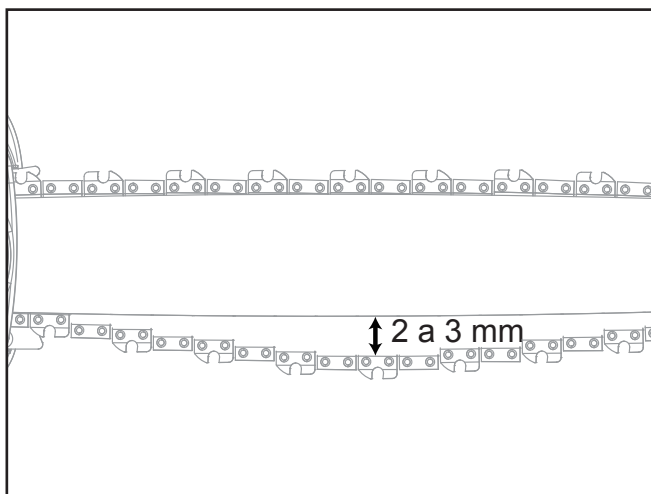
La tensión correcta de la cadena se alcanza cuando la cadena se puede levantar aprox. 2 a 3 mm desde la barra de la cadena en el centro. Esto debe hacerse usando una mano en un guante para levantar la cadena contra el peso de la motosierra.

La tensión de la cadena de la motosierra se puede ajustar girando la perilla de tensado de la cadena.

Afloje la barra de la cadena girando la perilla de liberación de la cubierta en dirección contraria a las manecillas del reloj hasta que esté ligeramente suelta (generalmente a la mitad de un ciclo o en un ciclo completo).

Apriete la perilla de tensado de la cadena en dirección de las manecillas del reloj un poco cada vez para comprobar la tensión de la cadena hasta que sea correcta.

Cuando la tensión de la cadena sea correcta, fije la posición de la perilla de tensado de la cadena con una mano mientras gira la perilla de liberación de la cubierta en dirección de las manecillas del reloj con la otra mano hasta el final.



## INSTRUCCIONES DE FUNCIONAMIENTO

**IMPORTANTE:** este electrodoméstico está diseñado solo para uso residencial en exteriores. No lo use en interiores ni para fines comerciales o industriales.

Este electrodoméstico es solo para uso doméstico.

- Desramado básico, tala, corte de madera y remoción de raíces gruesas. Todos los objetos de madera que se vayan a cortar con esta motosierra no deben ser más gruesos que la capacidad máxima de corte de la barra guía.
- Use gafas de seguridad u otra protección adecuada para los ojos, protección auditiva, pantalones largos y zapatos.
- No utilice el producto para cortar metales, plástico y otros usos comerciales.
- En algunos países, las regulaciones definen a qué hora del día y en qué días especiales se permite el uso de los productos y qué restricciones se aplican. Solicite a su comunidad información detallada y observe las regulaciones para preservar un vecindario pacífico y evitar cometer infracciones administrativas.

**NOTA:** la motosierra está diseñada para operadores cerca del suelo y no en escaleras u otras superficies inestables.

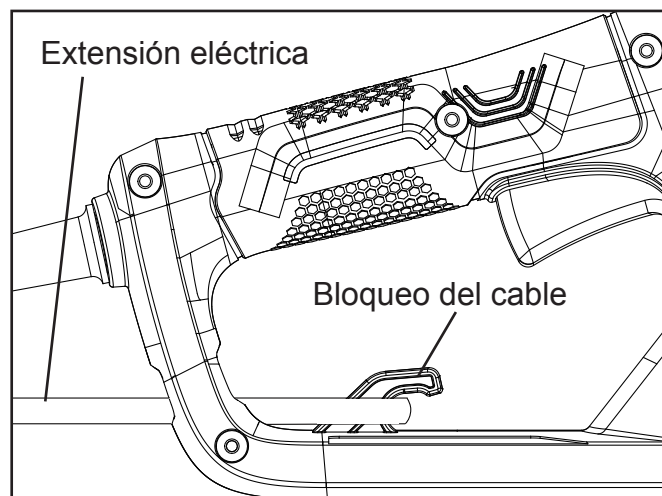
### CONEXIÓN AL SUMINISTRO DE ELECTRICIDAD, CABLEADO, FUSIBLES, TIPO DE ENCHUFE Y REQUISITOS DE CONEXIÓN A TIERRA

Utilice solo una extensión eléctrica recomendada para su uso en exteriores.

Inserte el enchufe de alimentación de la motosierra en la extensión eléctrica.

Asegure la extensión eléctrica al electrodoméstico mediante la función de bloqueo de cable moldeada.

Enchufe la extensión eléctrica al suministro de electricidad.



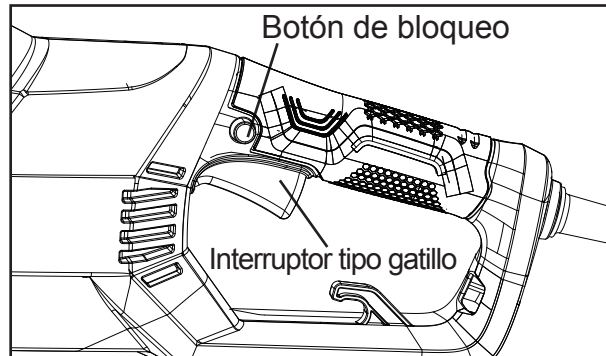
**NOTA:** si es necesario reemplazar el cable de alimentación, debe hacerlo el fabricante o su agente para evitar riesgos para la seguridad.

**PRECAUCIÓN:** cuando utilice una extensión eléctrica, asegúrese de utilizar una que sea lo suficientemente pesada como para conducir la corriente que su producto necesita. Para largos menores de 15,24 m (50 pies), se debe usar una extensión eléctrica No.14 AWG (o No.12). Un cable de tamaño menor que el requerido causará una baja en el voltaje de la línea. Esto podría provocar un corte de energía y sobrecalentamiento.

## ENCENDIDO Y DETENCIÓN

### 1. ARRANQUE/DETENCIÓN DE LA MOTOSIERRA

- Asegúrese de que la motosierra esté conectada al suministro de electricidad.
- Para encender la motosierra, presione el botón de bloqueo, luego presione completamente el interruptor tipo gatillo y manténgalo en esta posición. Ahora puede soltar el botón de bloqueo.
- Para apagar la unidad, suelte el interruptor tipo gatillo.
- No detenga la motosierra después de cortar activando el protector de mano delantero (freno de cadena).



**NOTA:** para obtener un buen rendimiento del producto, sujete el mango correctamente antes de poner en marcha la motosierra.

## ADVERTENCIAS DE SEGURIDAD

1. Para garantizar un trabajo seguro, NO opere la sierra por encima de la altura de los hombros.
2. Coloque el cable de modo que no quede atrapado en ramas y similares durante el corte.
3. Nunca se pare debajo de una rama que desea cortar.
4. Tenga cuidado al cortar ambas ramas bajo tensión o ramas que se astillen.
5. Asegúrese de protegerse contra el riesgo de lesiones por la caída de ramas y proyectiles voladores de madera.
6. Si la máquina está en funcionamiento, mantenga a las personas y los animales alejados de la zona de peligro.
7. La máquina no está protegida contra descargas eléctricas cuando entra en contacto con líneas de alto voltaje. Mantenga una distancia mínima de 9,14 m de las líneas eléctricas que transportan corriente para evitar descargas eléctricas potencialmente mortales.
8. Cuando trabaje en una pendiente, párese siempre encima o al lado de la rama que está cortando.
9. Permita que la cadena corte por usted. Mantenga la sierra funcionando a toda velocidad durante todo el corte. Un usuario nuevo debe, como práctica mínima, cortar troncos en un caballete o una base para sierra.

## PREVENCIÓN DE CONTRAGOLPES

El término contragolpe se refiere a cuando la sierra de repente salta hacia arriba y hacia atrás. Esto suele deberse a que la pieza de trabajo entra en contacto con la punta de la barra de la cadena o la sujeción de la cadena de la sierra.

Un contragolpe genera una fuerza poderosa y abrupta. La sierra generalmente reacciona de manera descontrolada, creando la posibilidad de lesiones al usuario.

El peligro de un contragolpe es mayor cuando se intenta cortar cerca o con la punta de la barra de la cadena. Utilice siempre la sierra de la forma más plana posible para evitar una pérdida de control durante el funcionamiento.

## ADVERTENCIA

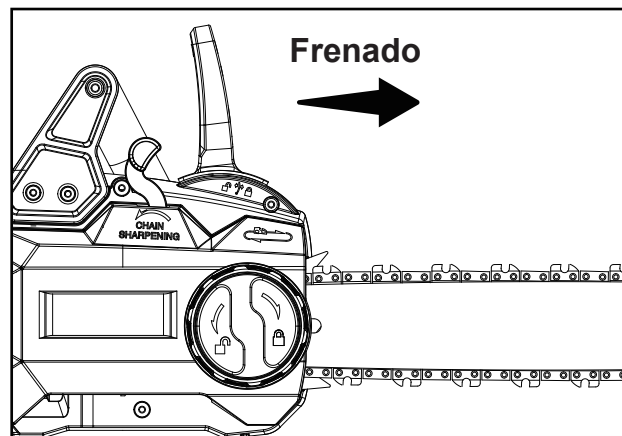
**NO** tale árboles en condiciones de viento fuerte. Esto puede provocar lesiones y solo debe realizarlo un profesional capacitado.

### FRENO DE CONTRAGOLPE

El freno de contragolpe es un mecanismo de seguridad activado por el protector de mano delantero. Cuando ocurre un contragolpe, la cadena de la sierra se detiene inmediatamente.

La siguiente verificación de funcionamiento debe realizarse antes de cada uso. El propósito de la prueba del freno de cadena es reducir la posibilidad de lesiones debido al contragolpe:

1. Empuje el protector de mano delantero hacia adelante e intente arrancar la motosierra. La cadena no debe arrancar.
2. Para desactivar el freno de contragolpe, suelte el interruptor tipo gatillo y jale del protector de mano hacia atrás.



### TÉCNICAS DE ASERRADO

**IMPORTANTE:** se recomienda que un usuario nuevo debe, como práctica mínima, cortar troncos en un caballete o una base para sierra.

- Primero corte las ramas inferiores del árbol. Al hacerlo, es más fácil que las ramas cortadas caigan al suelo.
- Al final del corte, el peso de la sierra aumenta repentinamente para el usuario, ya que ya no está sostenida por una rama. Existe el riesgo de perder el control de la sierra, así que asegúrese de permanecer alerta durante toda la operación de aserrado.
- Solo saque la sierra de un corte mientras la sierra esté en funcionamiento. Al hacerlo, evita que la cadena se atasque en la madera.
- NO corte con la punta de la barra de la cadena. NO corte las formaciones de las ramas (donde el árbol se ramifica hacia afuera). Esto impedirá la capacidad de curación del árbol.
- Para cortar ramas más pequeñas, coloque la superficie de detención de la sierra en la rama. Esto evita movimientos no deseados de la sierra al comienzo del corte. Mientras aplica una ligera presión, guíe la sierra a través de la rama de arriba a abajo.
- Para cortar ramas más grandes, primero haga un corte en relieve. Corte 1/3 del diámetro de la rama desde abajo hacia arriba usando el lado superior de la barra de la cadena. Luego corte de arriba a abajo para los otros 2/3 usando el lado inferior de la barra de la cadena. Corte las ramas más largas en secciones para mantener el control sobre la ubicación del impacto.

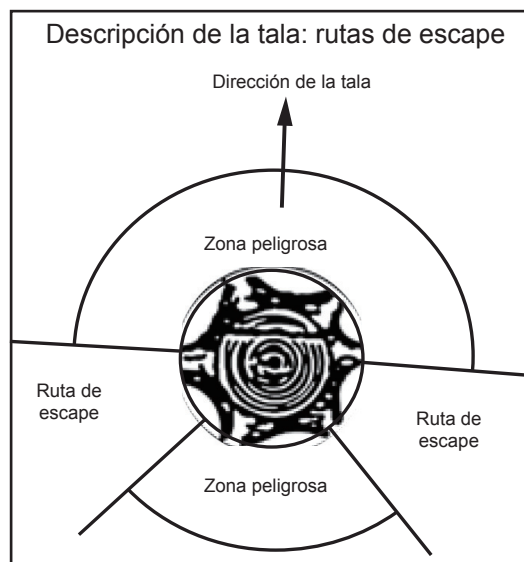
## TALA DE UN ÁRBOL

Cuando dos o más personas realicen operaciones de trozado y tala al mismo tiempo, las operaciones de tala deberían estar separadas de la operación de trozado por una distancia de al menos el doble de la altura del árbol que se va a talar.

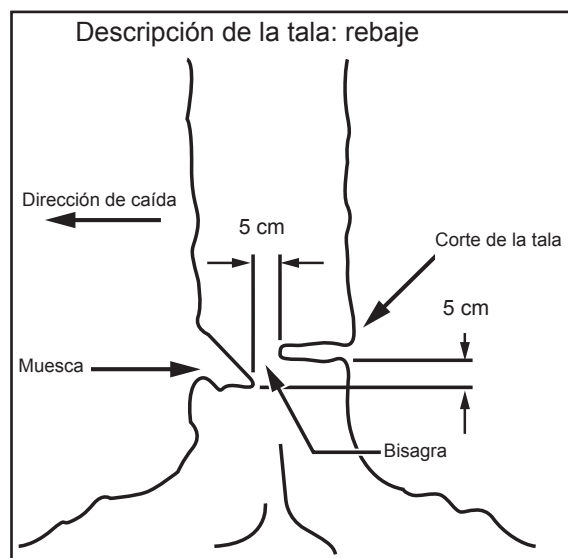
Los árboles no se deben talar de manera que pongan en peligro a ninguna persona, golpeen alguna línea de servicios públicos o causen daños materiales. Si el árbol entra en contacto con alguna línea de servicios públicos, se debe notificar inmediatamente a la compañía.

El operador de la motosierra debe mantenerse en el lado cuesta arriba del terreno, ya que es probable que el árbol ruede o se deslice cuesta abajo después de talarse. Esto es necesario antes de iniciar los cortes.

La ruta de escape debe extenderse hacia atrás y en diagonal hacia la parte posterior de la línea de caída esperada (figura: descripción de la tala: rutas de escape).



Antes de comenzar la tala, considere la inclinación natural del árbol, la ubicación de las ramas más grandes y la dirección del viento para juzgar en qué dirección caerá el árbol. Retire del árbol la suciedad, las piedras, la corteza suelta, los clavos, las grapas y el alambre. Haga la muesca 1/3 del diámetro del árbol, perpendicular a la dirección de caída (figura: descripción de la tala: rebaje).



Primero haga el corte de muesca horizontal inferior. Esto ayudará a evitar pellizcar la cadena de la sierra o la barra de la cadena cuando se haga la segunda muesca.

## CORTE DE TALA

Realice el corte de tala al menos 50,03 mm (1,97 pulg.) más arriba que el corte de muesca horizontal (figura: descripción de la tala: rebaje). Mantenga el corte de tala paralelo al corte de muesca horizontal. Haga el corte de tala de modo que quede suficiente madera para actuar como bisagra. La madera de bisagra evita que el árbol se tuerza y caiga en la dirección incorrecta. NO corte la bisagra.

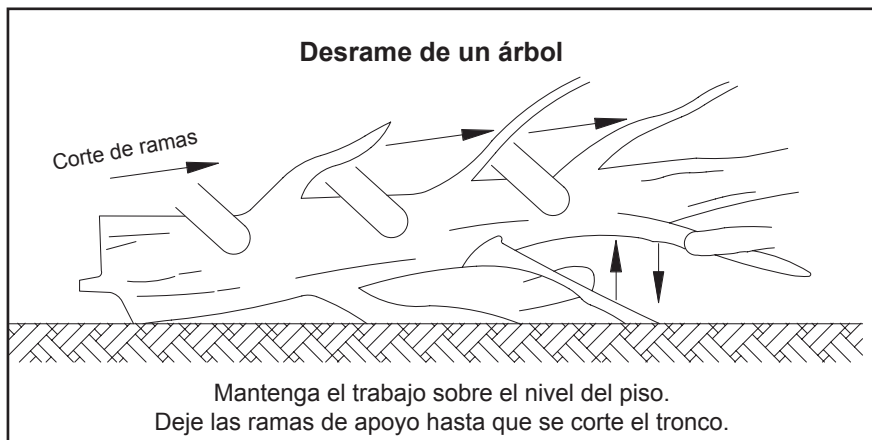
A medida que el corte de tala se acerca a la bisagra, el árbol debe comenzar a caer. Si existe la posibilidad de que el árbol no caiga en la dirección deseada o que se balancee hacia atrás y atasque la cadena de la sierra, deje de cortar antes de que se complete el corte de tala y use cuñas de madera, plástico o aluminio para abrir el corte y dejar caer el árbol a lo largo de la línea de caída deseada.

Cuando el árbol comience a caer, retire la motosierra del corte, detenga el motor, baje la motosierra y luego use el camino de retirada planificado. Esté alerta a la caída de ramas superiores y cuide sus pasos.

## DESrame DE UN ÁRBOL

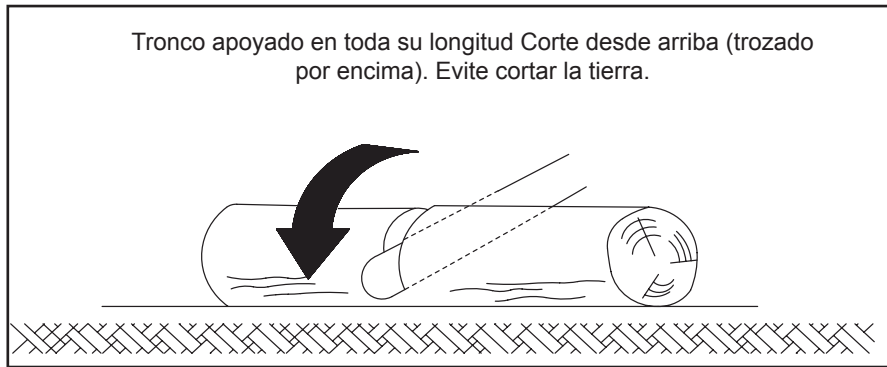
Desrame es la remoción de ramas de un árbol caído. Al cortar las ramas, deje que las ramas inferiores más grandes apoyen el tronco para levantarlo del suelo. Retire las ramas pequeñas en un corte (figura: desrame de un árbol).

Las ramas bajo tensión se deben cortar de abajo hacia arriba para evitar que se atore la motosierra.

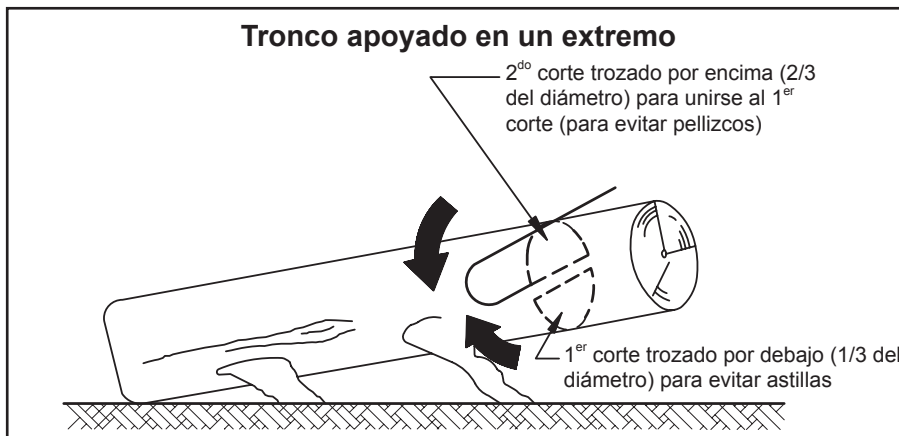


## TROZADO DE UN TRONCO

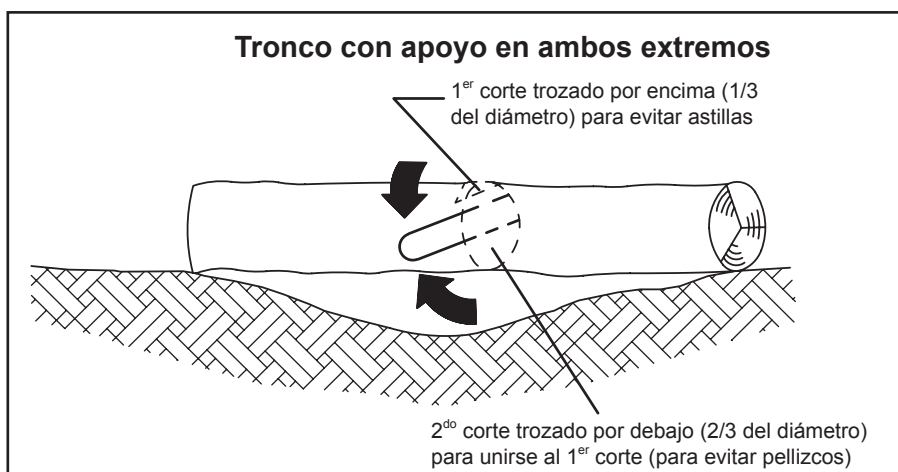
Trozar es cortar un tronco en fragmentos. Es importante asegurarse de que su pisada sea firme y que su peso esté distribuido uniformemente en ambos pies. Cuando sea posible, el tronco debe elevarse y apoyarse mediante el uso de ramas, troncos o calzos. Siga las instrucciones sencillas para cortar con facilidad. Cuando el tronco se apoya en toda su longitud, se corta desde la parte superior (trozado por encima) (figura: tronco apoyado en toda su longitud).



Cuando el tronco esté apoyado en un extremo, corte 1/3 del diámetro desde la parte inferior (trozado por debajo) (figura: tronco apoyado en un extremo). Luego, realice el corte terminado trozando por encima hasta encontrarse con el primer corte.

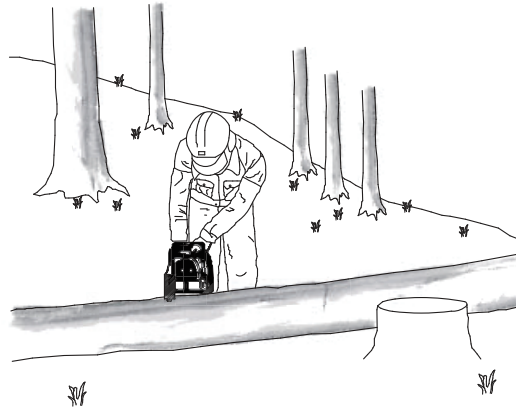


Cuando el tronco esté apoyado en ambos extremos, corte 1/3 del diámetro desde la parte superior (trozado por encima) (figura: tronco apoyado en ambos extremos). Luego, realice el corte terminado trozando por debajo los 2/3 inferiores hasta encontrarse con el primer corte.



Cuando troce en una pendiente, siempre párese en el lado cuesta arriba del tronco (figura: trozado de un tronco).

### Trozado de un tronco



Párese en la parte superior cuando corte, ya que el tronco puede rodar.

Para mantener un control completo al cortar un tronco, libere la presión de corte cerca del final del corte sin aflojar el agarre de los mangos de la motosierra. No deje que la cadena entre en contacto con el suelo. Después de finalizar el corte, espere a que la cadena de la sierra se detenga antes de mover la motosierra. Siempre detenga el motor antes de pasar de un árbol a otro.

## CUIDADO Y MANTENIMIENTO

---



### ADVERTENCIA

Para evitar lesiones personales y el riesgo de incendio y descarga eléctrica, desconecte el suministro de electricidad antes de ajustar, inspeccionar o limpiar la motosierra.

### LIMPIEZA

- Desconecte el suministro de electricidad.
- Limpie la carcasa y los componentes de plástico con un paño suave y húmedo. No utilice solventes o detergentes fuertes en el armazón de plástico o en los componentes de plástico. Algunos limpiadores domésticos pueden causar daños y descargas eléctricas.
- Limpie la salida de aceite con un paño limpio.
- Si va a almacenar la motosierra por un período más largo, limpie la cadena y la barra de la cadena.
- NO coloque otros objetos sobre la motosierra.
- Para evitar fugas de aceite, asegúrese de dejar la máquina en posición horizontal.

### REEMPLAZO DE LA CADENA DE LA SIERRA Y LA BARRA GUÍA



### ADVERTENCIA

Utilice solo una barra o cadena de repuesto que aparezca en las especificaciones. NO use ninguna otra combinación de barra y cadena.

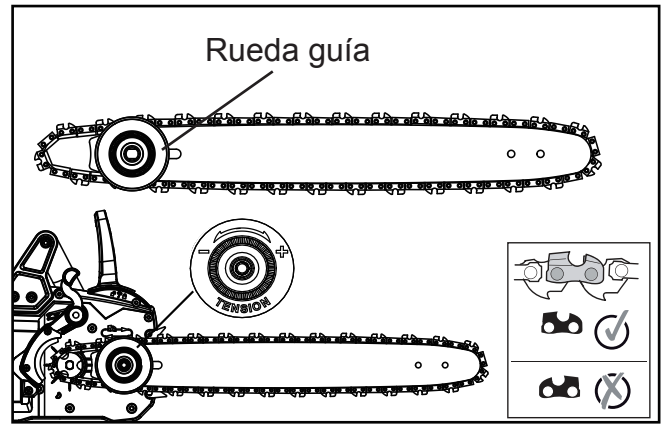
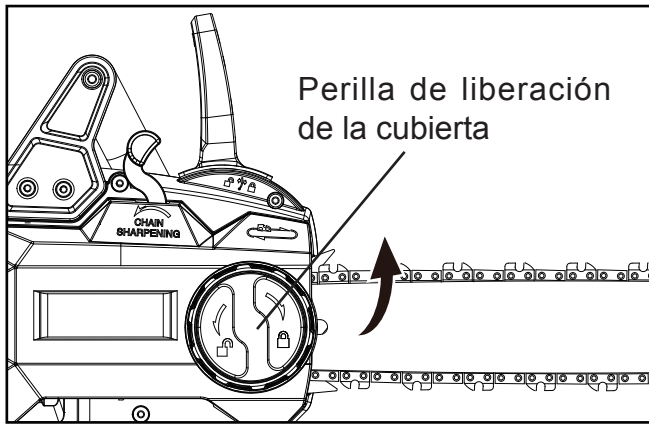
Cuando manipule cadenas de sierra, utilice siempre guantes protectores.

Reemplace la cadena cuando los cortadores estén demasiado gastados para afilarlos o cuando la cadena se rompa. Utilice solo la cadena de repuesto que se indica en este manual. Incluya siempre una piedra de afilar nueva cuando reemplace la cadena. Esto mantendrá la velocidad de corte adecuada de la cadena.

1. Coloque el cuerpo de la motosierra sobre una superficie firme y nivelada.
2. Afloje la perilla de liberación de la cubierta para liberar la cubierta de la rueda dentada de la cadena. Retire la cubierta de la rueda dentada de la cadena.
3. Con guantes de protección, retire la cadena de sierra rota o la barra guía.
4. Envuelva la nueva cadena de sierra alrededor de la nueva barra guía, asegurándose de que los dientes apunten en la dirección de rotación. La cadena debe colocarse correctamente en la ranura que recorre todo el borde exterior de la barra de la cadena.
5. Coloque la cadena alrededor de la rueda dentada de transmisión para que encaje entre los dientes de la rueda dentada de transmisión.
6. Inserte la barra guía y la cadena en el soporte de la motosierra.
7. Gire la rueda guía para ajustar la tensión de la cadena siguiendo la flecha de la rueda guía.
8. Apriete la perilla de liberación de la cubierta para asegurar la cubierta de la rueda dentada de la cadena.

NOTA: la ranura de la motosierra debe estar alineada con la pestaña de la cubierta de la rueda dentada de la cadena.

9. Gire la cadena de la sierra en dirección contraria a las manecillas del reloj para asegurarse de que se pueda mover con suavidad con el fin de evitar que la cadena de la sierra quede aprisionada por la perilla de liberación de la cubierta.
10. Para un uso posterior, ajuste la tensión de la cadena según el capítulo "**AJUSTE DE LA TENSIÓN DE LA CADENA**".



## AFILADO DE LA CADENA DE SIERRA



### ADVERTENCIA

Desenchufe la unidad de la fuente de energía antes de darle servicio. Se pueden producir lesiones graves o la muerte a causa de una descarga eléctrica o el contacto del cuerpo con la cadena en movimiento. Los bordes de corte de la cadena están afilados. Utilice guantes protectores al manipular la cadena.

Mantenga la cadena afilada. Su sierra cortará más rápido y con mayor seguridad. Una cadena desafilada provocará un desgaste indebido de la rueda dentada, la barra guía, la cadena y el motor. Si debe forzar la cadena en la madera y el corte solo crea aserrín con algunas virutas grandes, entonces la cadena está desafilada.

La máquina está equipada con el sistema de afilado integrado, una forma rápida y sencilla de afilar la cadena de la sierra. Es momento de afilar la cadena de la sierra cuando los cortes tardan más o las virutas de madera se vuelven más pequeñas, convirtiéndose en casos extremos en aserrín.

1. Con la sierra a toda velocidad, levante ligeramente la palanca de activación para afilar la cadena durante 5 a 10 segundos. Se podrán ver chispas cuando los cortadores entren en contacto con la piedra para afilar.

Haga un corte de prueba para determinar si la cadena quedó suficientemente afilada. De no ser así, repita el procedimiento hasta que la cadena quede suficientemente afilada.

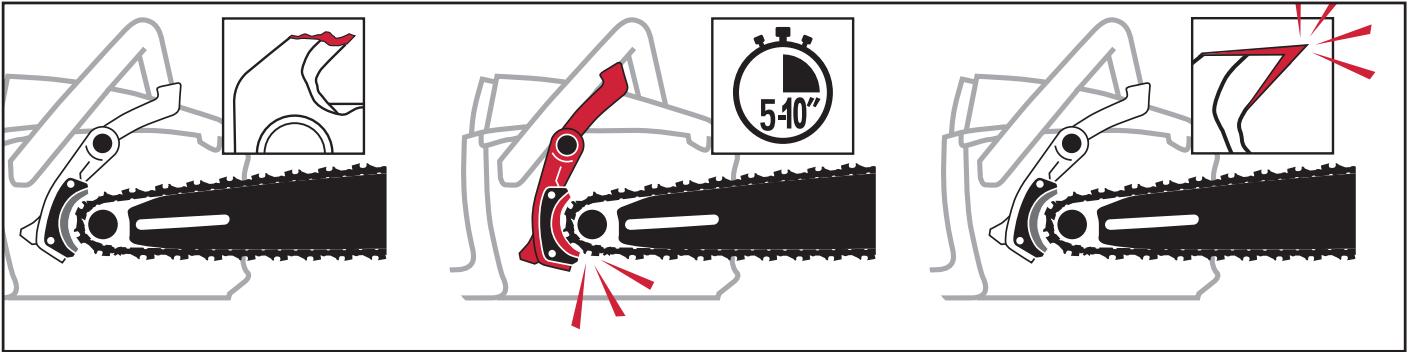
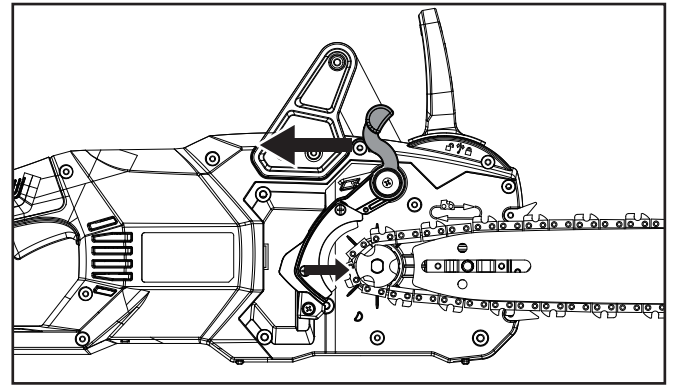
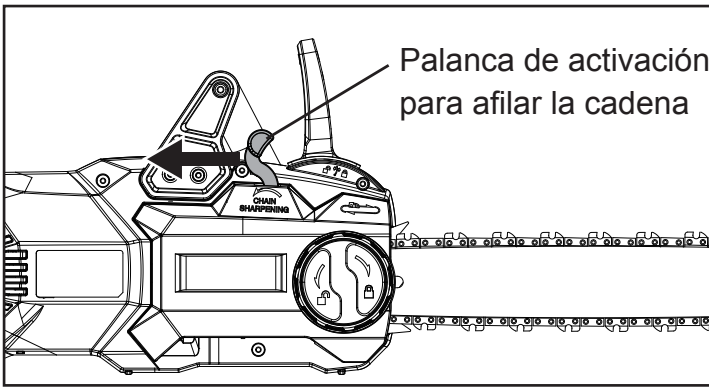


**PRECAUCIÓN:** EL AFILADO CON EL SISTEMA DE AFILADO INTEGRADO PRODUCE CHISPAS DE BAJA ENERGÍA.



**ADVERTENCIA:** POWERSHARP NO DEBE USARSE CUANDO HAY MATERIALES SUMAMENTE INFLAMABLES EXPUESTOS, COMO GASOLINA Y ACETILENO.

**IMPORTANTE:** ES NORMAL VER UNA PEQUEÑA CANTIDAD DE CHISPAS Y HUMO DURANTE EL AFILADO, YA QUE LOS CORTADORES ENTRAN EN CONTACTO CON LA PIEDRA Y LA FRICCIÓN CALIENTA LA CADENA.



## REEMPLAZO DE LA PIEDRA PARA AFILAR

La piedra para afilar está diseñada para desgastarse al mismo ritmo que la cadena. Siempre reemplace la piedra cuando reemplace la cadena, incluso si parece tener más vida útil.

### ADVERTENCIA

REEMPLACE LA CADENA DE SIERRA Y LA PIEDRA PARA AFILAR AL MISMO TIEMPO. SI NO LO HACE PODRÍA PRODUCIRSE UNA DISMINUCIÓN DEL RENDIMIENTO O DAÑOS A LA CADENA O LA PIEDRA PARA AFILAR.

Con la motosierra apagada y fría, y la conexión eléctrica desconectada del suministro de electricidad.

Afloje la perilla de liberación de la cubierta para liberar la cubierta de la rueda dentada de la cadena. Retire la cubierta de la rueda dentada de la cadena.

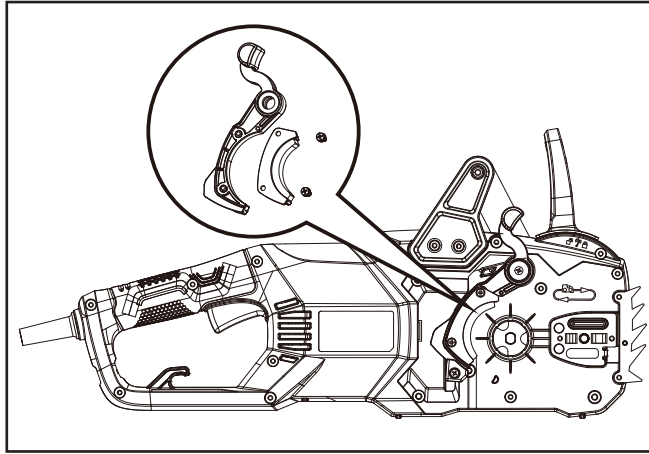
Instale la nueva piedra para afilar de la siguiente manera:

Retire los dos tornillos que sujetan la piedra para afilar. Retire la piedra.

Asegúrese de que la palanca de activación para afilar la cadena y el área circundante están libres de desechos.

Coloque la nueva piedra en su lugar. Vuelva a colocar los tornillos y apriételos bien.

Apriete la perilla de liberación de la cubierta para asegurar la cubierta de la rueda dentada de la cadena.



## ALMACENAMIENTO

Guarde el aparato y la extensión eléctrica en interiores, en un lugar fresco y seco, fuera del alcance de los niños y los animales.

Al guardar el aparato en su embalaje original, el tanque de aceite debe vaciarse por completo.

## SOLUCIÓN DE PROBLEMAS

Si todavía tiene preguntas o un problema no resuelto después de leer esta guía de solución de problemas, o si simplemente desea hablar con un experto en productos Kobalt, por favor llame a nuestro Departamento de Servicio al Cliente de Kobalt al 1-888-356-2258.

PROBLEMA	CAUSA POSIBLE	ACCIÓN CORRECTIVA
La motosierra no arranca.	<ol style="list-style-type: none"> <li>1. El suministro de electricidad está desconectado.</li> <li>2. El interruptor está defectuoso.</li> <li>3. El freno está puesto.</li> <li>4. El dispositivo de protección contra sobrecargas se activa por un uso excesivo.</li> </ol>	<ol style="list-style-type: none"> <li>1. Enchufe en el suministro de electricidad.</li> <li>2. Pida en un centro de servicio autorizado que reemplace el interruptor.</li> <li>3. Mueva el protector de la empuñadura delantera hacia atrás para desactivar el freno.</li> <li>4. Espere de 1 minuto para que se enfríe el dispositivo antes de reiniciarlo.</li> </ol>
La motosierra no alcanza su máxima potencia.	<ol style="list-style-type: none"> <li>1. La extensión eléctrica no es adecuada para su funcionamiento con esta motosierra.</li> <li>2. La fuente de alimentación (por ejemplo, un generador) tiene un voltaje demasiado bajo.</li> <li>3. Los conductos de ventilación están bloqueados.</li> </ol>	<ol style="list-style-type: none"> <li>1. Utilice una extensión eléctrica adecuada.</li> <li>2. Conecte la unidad a otra fuente de alimentación.</li> <li>3. Limpie los conductos de ventilación.</li> </ol>
El rendimiento de corte no es satisfactorio.	<ol style="list-style-type: none"> <li>1. La cadena de sierra no está tensada correctamente.</li> <li>2. La cadena de sierra está roma.</li> </ol>	<ol style="list-style-type: none"> <li>1. Tense correctamente.</li> <li>2. Afile o reemplace la cadena de la sierra.</li> </ol>
Vibración o ruido excesivos.	<ol style="list-style-type: none"> <li>1. La cadena de la sierra está desafilada o dañada.</li> <li>2. Los tornillos o las tuercas están flojas.</li> </ol>	<ol style="list-style-type: none"> <li>1. Reemplace por piezas nuevas.</li> <li>2. Apriete los pernos o las tuercas.</li> </ol>

## **GARANTÍA**

---

### **GARANTÍA LIMITADA DE 5 AÑOS**

Esta motosierra eléctrica está garantizada para el comprador original desde la fecha de compra original durante cinco (5) años y está sujeta a la cobertura de garantía que se describe en el presente. Esta motosierra eléctrica tiene una garantía para el usuario original contra defectos en los materiales y la mano de obra.

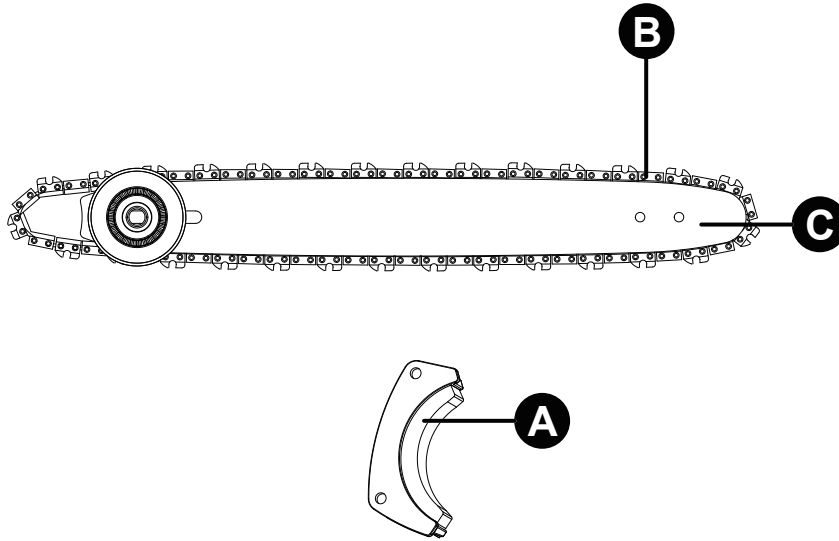
Si cree que la motosierra eléctrica presenta fallas en cualquier momento durante el período de garantía especificado, simplemente devuélvala, junto con un comprobante de compra, al lugar donde la compró para obtener un reemplazo o reembolso sin cargo, o llame al 1-888-356-2258 para obtener el servicio de garantía.

Esta garantía es nula si: los defectos en los materiales o la mano de obra o los daños han sido causados por reparaciones o modificaciones hechas o que se hayan intentado hacer por parte de terceros o el uso no autorizado de piezas incompatibles, el daño es debido al desgaste normal, el daño es debido al abuso (lo que incluye la sobrecarga de la herramienta por encima de su capacidad), mantenimiento inadecuado, negligencia o accidente o el daño es debido al uso de la herramienta después de una falla parcial, el uso con accesorios inadecuados o reparaciones o modificaciones no autorizadas; o aquellas piezas de repuesto (piedra de afilar, cadena de la sierra y barra guía), que quedarían inservibles después de un período razonable de uso, deben comprarse directamente en las tiendas Lowe's o en Lowes.com.

Esta garantía le otorga derechos legales específicos, pero podría tener también otros derechos que varían según el estado.

## LISTA DE PIEZAS DE REPUESTO

Para obtener piezas de repuesto, llame a nuestro Departamento de Servicio al Cliente al 1-888-3KOBALT (1-888-356-2258), de lunes a viernes de 8 a.m. a 8 p.m., hora estándar del Este.



PIEZA	DESCRIPCIÓN	PIEZA #	MODELO DE LOWES #
A	Piedra para afilar	243-0117	571037(L)
B	Cadena de la sierra	243-0177	571037(L)
C	Barra guía	205001000334	180SDEA041

Para obtener piezas de repuesto, tenga en cuenta que puede comprarlas en las tiendas de Lowe's o directamente en [Lowe's.com](https://www.lowes.com) con el número de artículo. La cadena de sierra y la piedra para afilar se empacan juntas con un número de artículo. Ambas se deben comprar y reemplazar al mismo tiempo en la sierra para garantizar la durabilidad de la misma.





