



READ THESE INSTRUCTIONS AND
SAVE THEM FOR FUTURE USE



Installation Guide

For Model:
CWF18BNK3

Table of Contents:

- Safety Tips. pg. 1
- Unpacking Your Fan. pg. 2
- Parts Inventory. pg. 2
- Installation Preparation. pg. 3
- Installation of Wall Bracket. pgs. 3 - 4
- Installation of Fan. pgs. 5 - 8
- Wiring. pg. 9
- Testing Your Fan. pg. 10
- Troubleshooting. pg. 10
- Warranty. pg. 10
- Parts Replacement. pg. 10



LISTED
For
Damp Location
E192641

net weight of fan: 16.39 lb (7.42 kg)

PRINTED IN CHINA

SAFETY TIPS.

WARNING: To reduce the risk of electrical shock, turn off the electricity to the fan at the main fuse box or circuit panel before you begin the fan installation or before servicing the fan or installing accessories.

1. **READ ALL INSTRUCTIONS AND SAFETY INFORMATION CAREFULLY BEFORE INSTALLING YOUR FAN AND SAVE THESE INSTRUCTIONS.**

CAUTION: To avoid personal injury, the use of gloves may be necessary while handling fan parts with sharp edges.

CAUTION: To reduce the risk of personal injury, mount the fan base to a stud, wood post or beam or structural member using the hardware provided with your fan.

2. Make sure all electrical connections comply with Local Codes or Ordinances, the National Electrical Code, and ANSI/NFPA 70-1999. If you are unfamiliar with electrical wiring, please use a qualified electrician.
3. Make sure you have a location selected for your fan that allows clear space for the fan to rotate and at least seven (7) feet (2.13 meters) of clearance between the floor and the fan.

WARNING: The stud, wood post or beam on which the fan will be installed must be securely mounted and capable of supporting at least 50 pounds (22,68 kilograms). The stud or wood beam must be supported directly by the building structure.

WARNING: Support Fan Directly from Building Structure. To avoid personal injury, damage to fan and possible electrical shock and/or fire, do NOT install fan directly to Sheetrock™ (drywall); fan must first be secured to appropriate size stud or wood beam underneath.

WARNING: If using this fan in a DAMP location, this fan must be connected to a supply circuit that is protected by a Ground Fault Circuit Interrupter (GFCI) to reduce the risk of personal injury, electrical shock or death.

4. After installation is complete, check that all connections are absolutely secure.
5. Do not insert anything between the fan blades while they are rotating.

WARNING: To reduce the risk of personal injury or electrical shock, the fan should be installed where it will be out of reach of children. The fan is **NOT** a toy--**DO NOT** play with the fan or allow anyone else to play with the fan.

WARNING: To reduce the risk of fire, avoid the use of an extension cord. **If** an extension cord is used, it **must** be UL or ETL listed. **NEVER** use more than one extension cord to operate the fan.

WARNING: To reduce the risk of personal injury or electrical shock, do not operate the fan if the cord or plug has been damaged.

WARNING: To avoid personal injury or damage to the fan and other items, be cautious when working around or cleaning the fan.

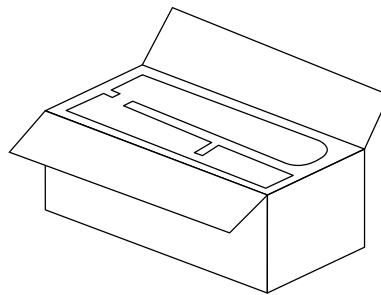
6. Do not use detergents when cleaning the fan or fan blades. A dry dust cloth or lightly dampened cloth will be suitable for most cleaning.

WARNING: To reduce the risk of personal injury, use **only** parts provided with this fan. **The use of parts OTHER than those provided with this fan will void the warranty.**

NOTE: The important safety precautions and instructions appearing in the manual are not meant to cover all possible conditions and situations that may occur. It must be understood that common sense and caution are necessary factors in the installation and operation of this fan.

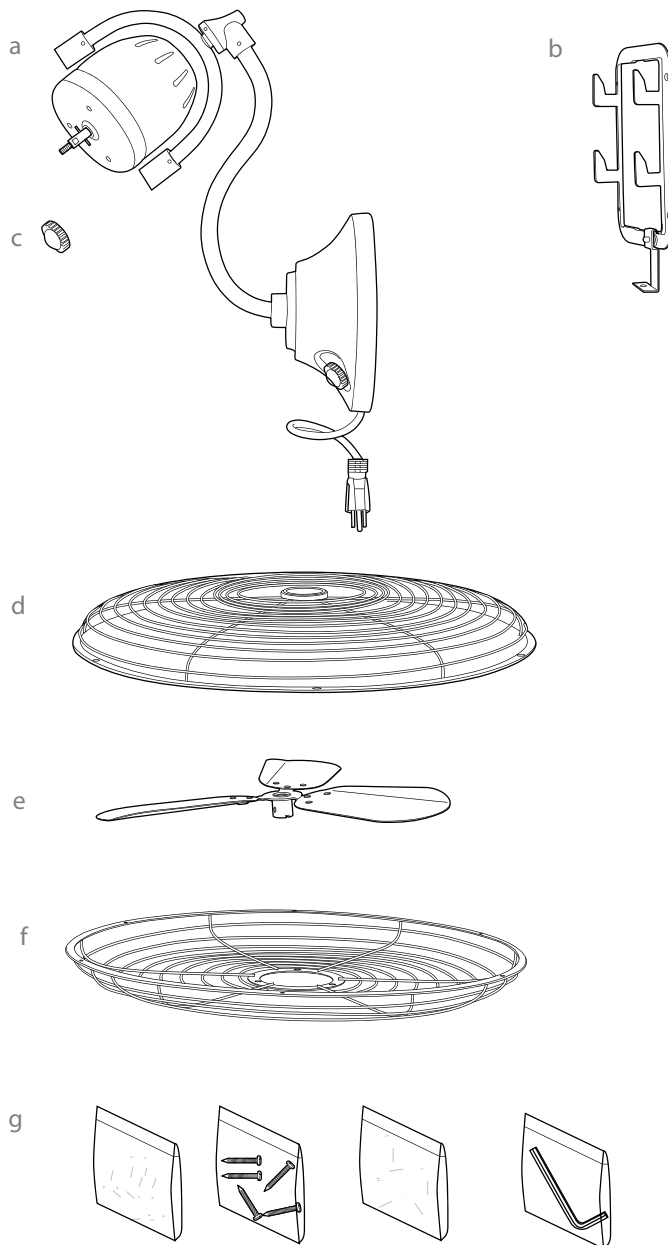
1. Unpacking Your Fan.

Carefully open the packaging. Remove items from Styrofoam inserts. Remove fan assembly and place on carpet or Styrofoam to avoid damage to finish. Do not discard fan carton or Styrofoam inserts should this fan need to be returned for repairs. Check against parts inventory that all parts have been included.



2. Parts Inventory.

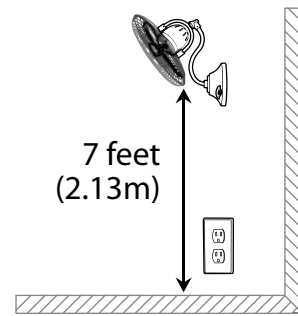
- a.** fan assembly. 1 piece
- b.** wall mounting bracket. 1 piece
- c.** blade assembly nut. 1 piece
- d.** front cage. 1 piece
- e.** blade assembly. 1 piece
- f.** back cage. 1 piece
- g.** hardware packs



⚠ IMPORTANT REMINDER: You must use the parts provided with this fan for proper installation and safety. **⚠**

3. Installation Preparation.

To prevent personal injury and damage, ensure that the hanging location allows the fan a clearance of 7 feet (2.13m) from the floor to prevent accidental contact with the fan.

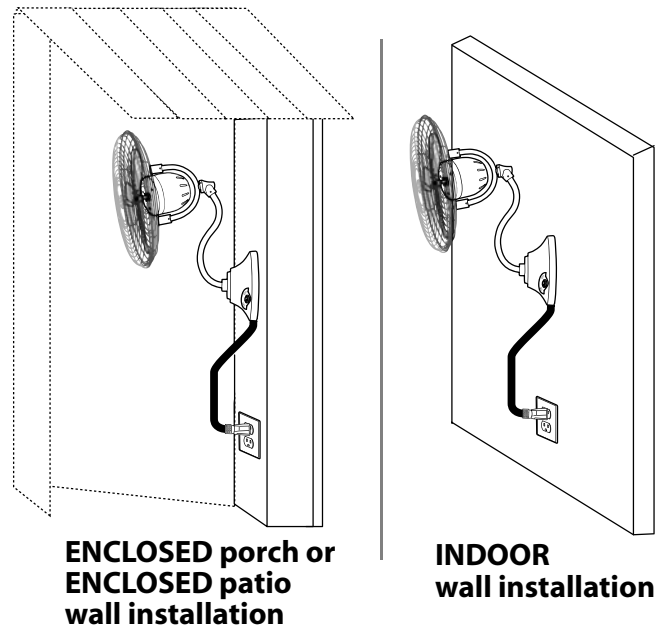


*This fan can only be mounted on an **indoor wall** or on an **enclosed porch** or **enclosed patio wall**.*

CAUTION: If you are going to attach the fan to a wood stud or wood post, the stud or wood post must be wide enough and thick enough to sustain the wall bracket and the weight of the fan.

Installation requires these tools:

Phillips screwdriver, flathead screwdriver, adjustable pliers or wrench, drill, drill bit and stepladder.

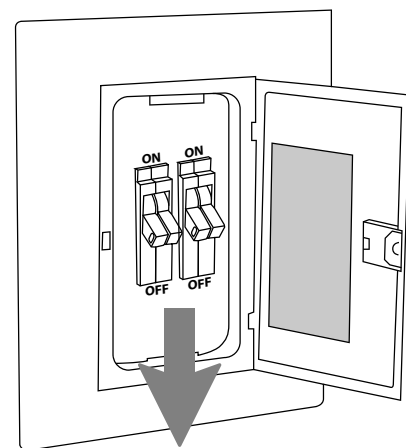


4. Installation of Wall Bracket.

Turn off circuit breakers to current fixture from breaker panel and be sure operating light switch is turned to the OFF position.

WARNING: Failure to disconnect power supply prior to installation may result in serious injury.

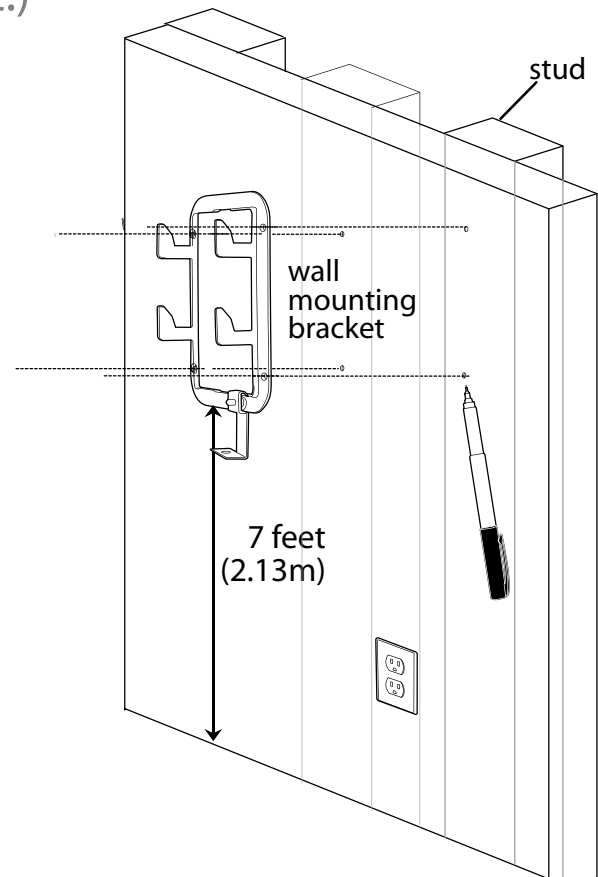
["Installation of Wall Bracket" continued on following page.]



4. Installation of Wall Bracket. (cont.)

Determine the approximate position of where you want the fan to be located on the wall. [Remember that the fan must be mounted at least 7 feet (2.13m) from the floor.] Then, locate the stud in the wall.

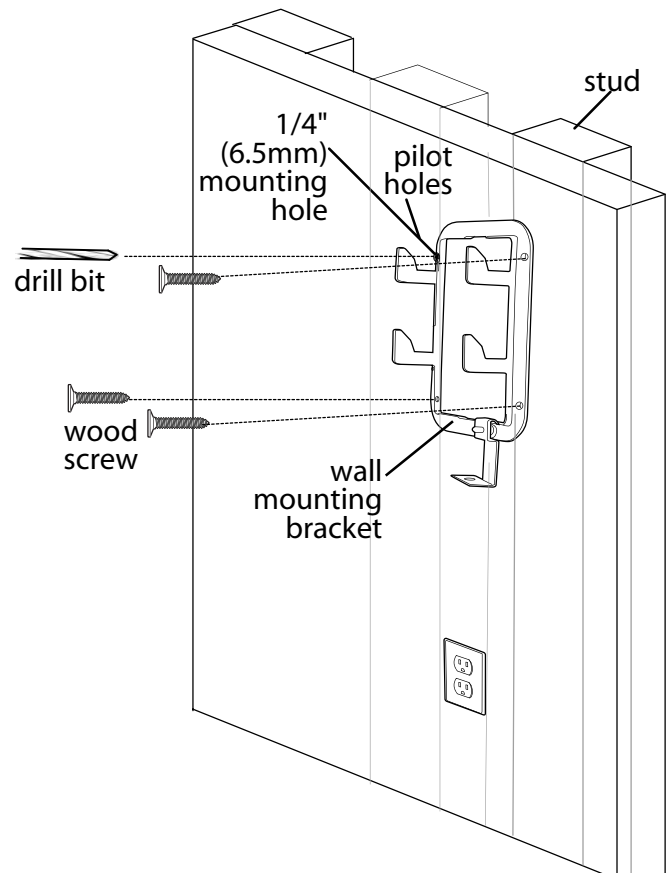
WARNING: To reduce the risk of fire, electrical shock or personal injury, use **all 4** mounting holes (2 at the top and 2 at the bottom) in wall mounting bracket when installing wall mounting bracket. Position wall mounting bracket on wood stud or wood post and mark the location of the 4 hole using a pencil or a marker.



Drill 4 **pilot holes** using drill and drill bit over holes marked into wood stud or wood post. Position wall bracket over pilot holes and install wood screw (provided in one of hardware packs) into each hole.

WARNING: It is very important that you use the proper hardware when installing the wall mounting bracket as this will support the fan assembly.

ALTERNATE CONCRETE WALL INSTALLATION: Use all 4 mounting 1/4" (6.5mm) holes when installing wall bracket on a concrete wall. The 3/16" (5mm) concrete wall anchors necessary for this type of installation are not provided and must be purchased separately. **Make sure that concrete wall anchors can support a total of 80 lbs.**



5. Installation of Fan.

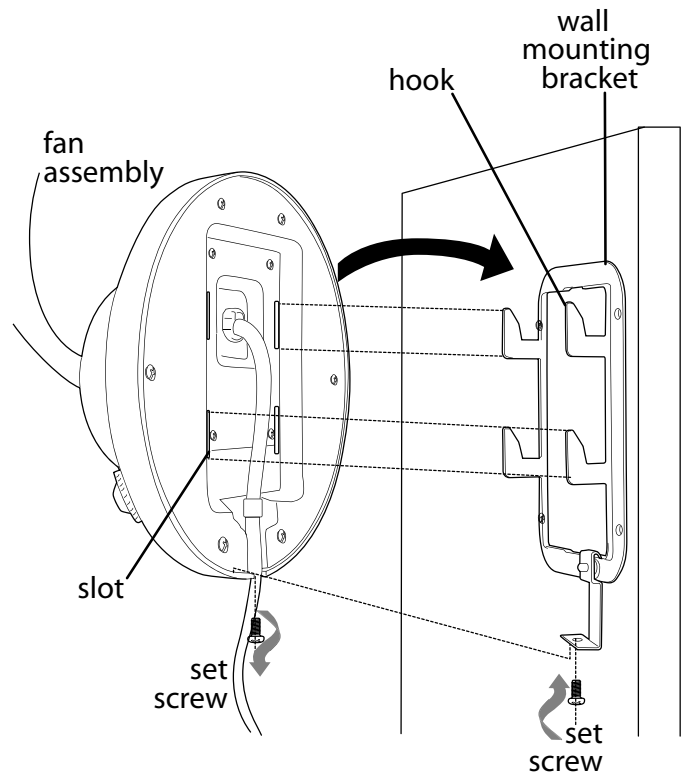
Remove set screw at bottom of fan assembly. With the wall mounting bracket secured to the wall and able to support the fan assembly, you are now ready to hang your fan.

Grab the fan assembly firmly with two hands. Align the 4 slots in the middle of the back of the fan assembly with the 4 hooks on the wall mounting bracket and then pull down firmly on fan assembly.

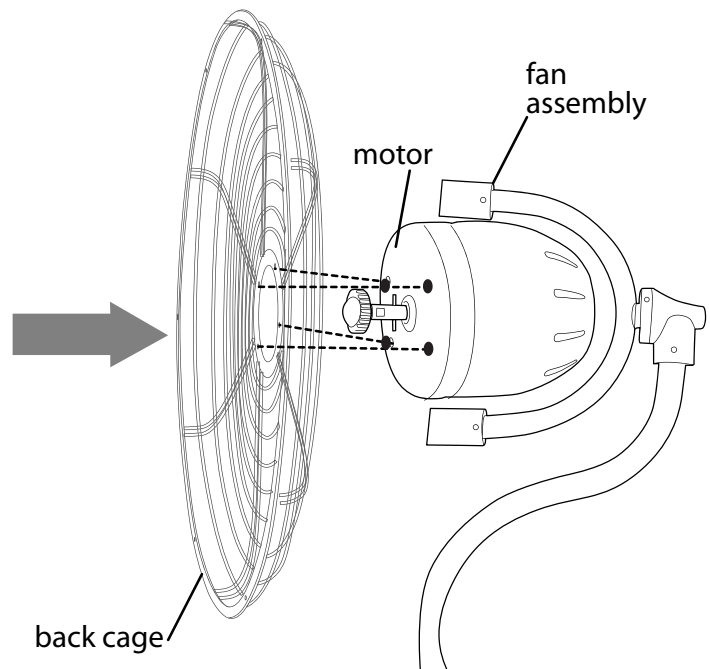
WARNING: Failure to make sure that all 4 hooks on the wall mounting bracket have engaged completely with the 4 slots in the fan assembly and ensure that the fan assembly is stable may result in serious injury or death.

Tip: Seek the help of another person to hold the stepladder in place and to help lift the fan up to you once you are set on the ladder.

Insert set screw at bottom of wall mounting bracket--*be sure to securely tighten set screw.*

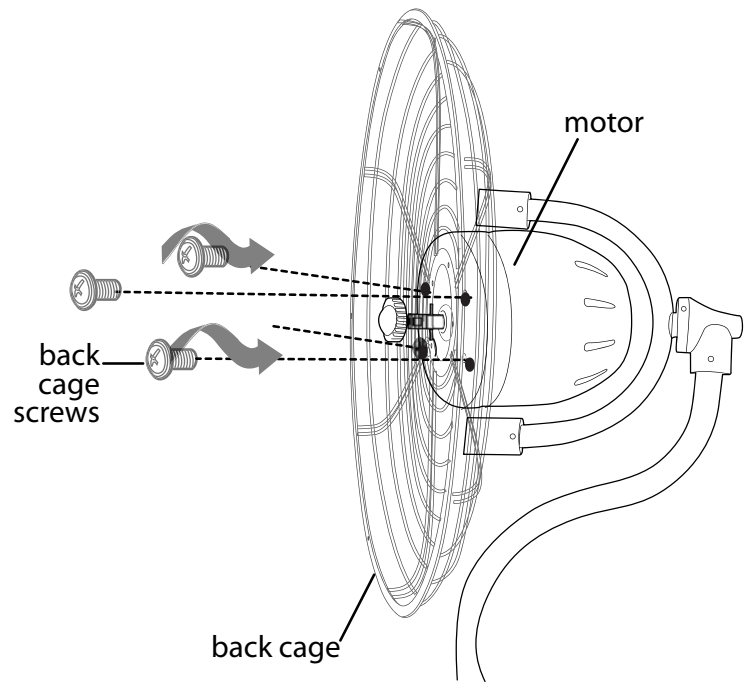


Align the 4 holes in the front of the motor on fan assembly with the 4 holes in the center of the back cage.

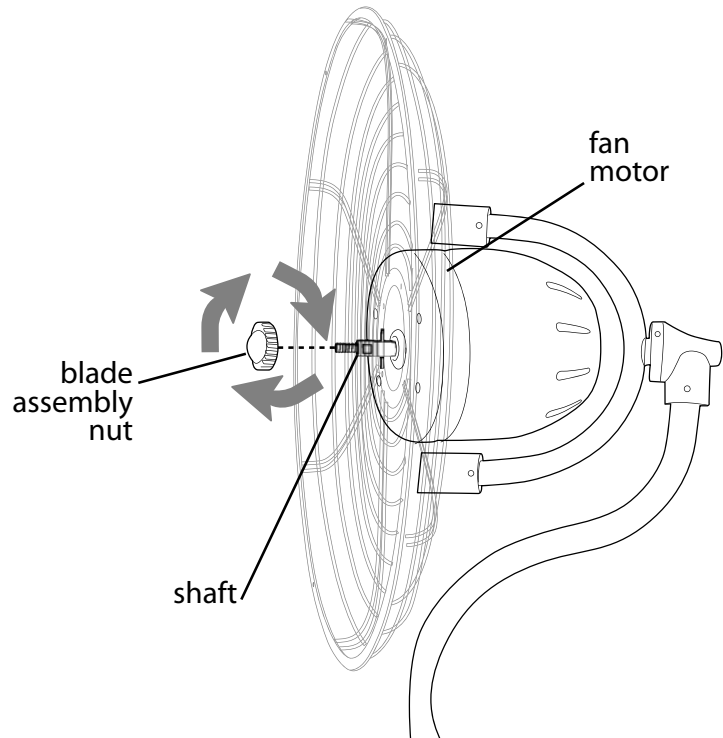


5. Installation of Fan. (cont.)

Install 4 back cage screws (provided in one of hardware packs) into each of the 4 holes in the center of the back cage to secure back cage to motor.

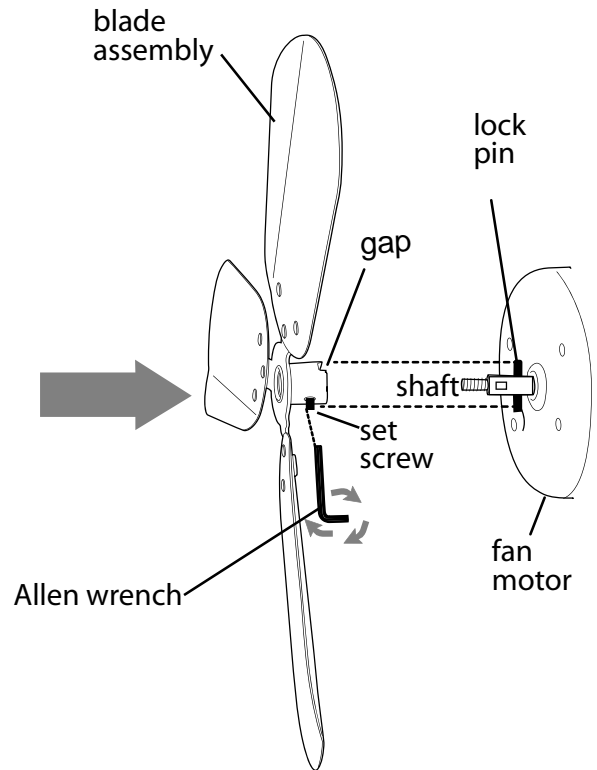


Turn blade assembly nut **clockwise** to remove from fan motor shaft.

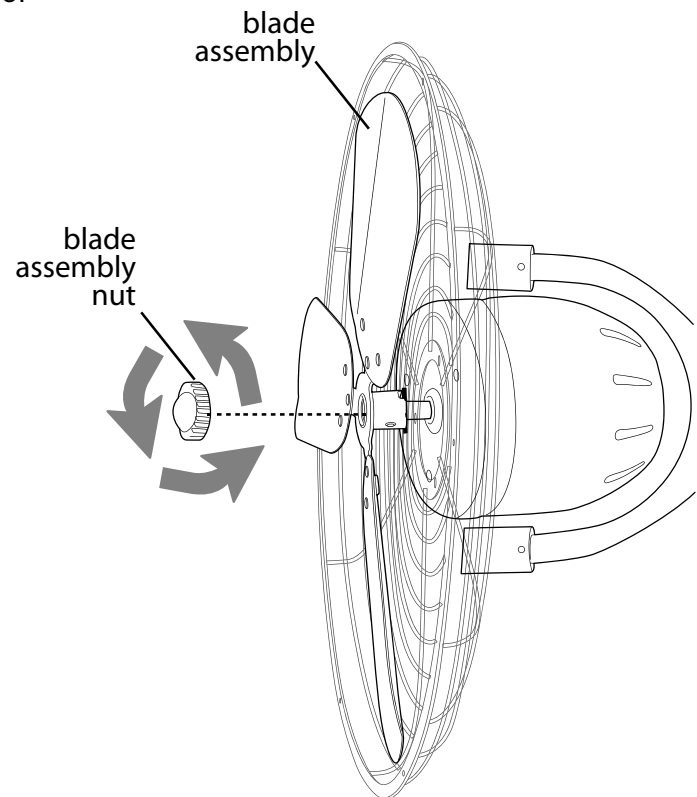


5. Installation of Fan. (cont.)

Place blade assembly over motor shaft, making sure to align gap on the blade assembly with the lock pin on the shaft. Using the Allen wrench, located in one of the hardware packs, turn preassembled set screw located on the blade assembly clockwise to secure blade assembly to fan motor.



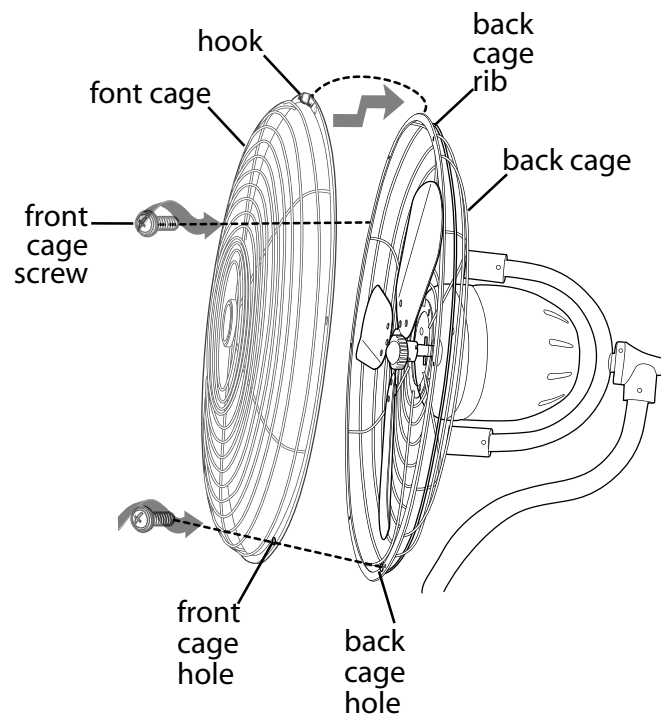
Re-attach blade assembly nut onto shaft in center of blade assembly and turn **counterclockwise** to secure.



5. Installation of Fan. (cont.)

Place hook at top of front cage over edge at top of back cage. **Note:** Make sure hook engages with vertical rib and that all front and back cage holes match up; this will allow the front cage and the back cage to hang together while inserting the front cage screws (provided in one of hardware packs) into the front and back cage holes.

Partially insert 1 front cage screw into the hole at top of front cage, then partially insert the rest of the front cage screws. Tighten front cage screws by alternating from one side of front cage to the other until all front cage screws are completely secured.



6. Wiring.

Make sure all electrical connections comply with Local Codes or Ordinances and the National Electrical Code. If you are unfamiliar with electrical wiring, please use a qualified electrician.

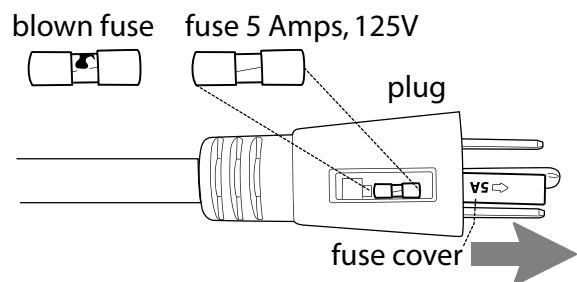
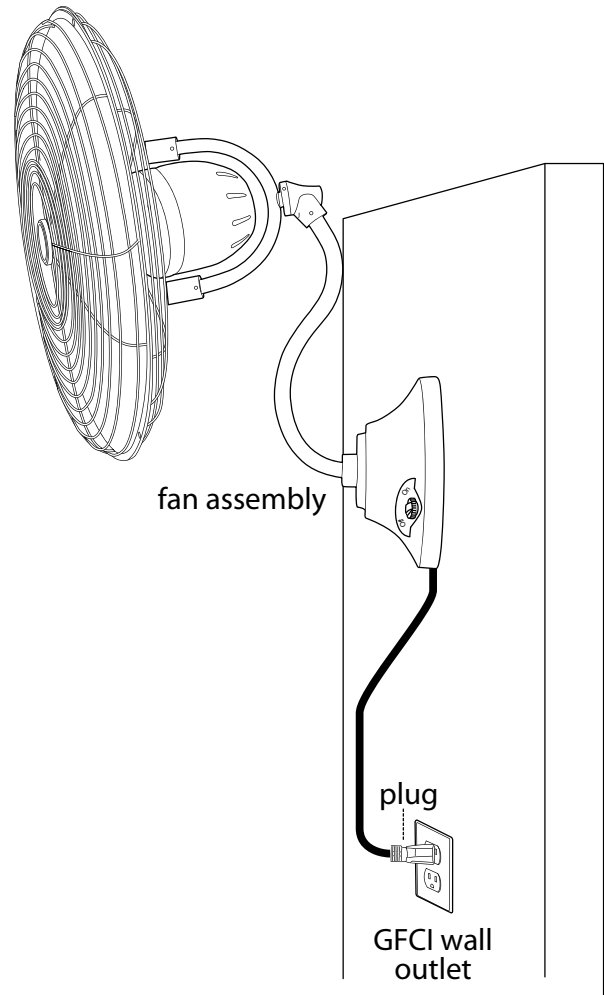
WARNING: If using this fan in a DAMP location, this fan must be connected to a supply circuit that is protected by a Ground Fault Circuit Interrupter (GFCI) to reduce the risk of personal injury, electrical shock or death.

Insert power cord securely into proper wall outlet.

WARNING: The power cord is equipped with a three-prong grounded plug that must be inserted into a matching receptacle. Under no circumstances must the grounding prong be cut off the plug. Where a two-prong wall receptacle is encountered, it must be replaced with a properly grounded **three**-prong receptacle installed in accordance with the National Electrical Code and all applicable local codes and ordinances. This work must be done only by a qualified electrician, using copper wire only.

The three-prong plug is installed with a fuse that is a vital safety device. A filament inside the fuse is designed to melt and cut the circuit if the current gets too high. This prevents damage to your fan and the person using it and stops the power cord from overheating to the point where it could catch fire.

If you should need to replace the fuse, unplug fan. Locate the fuse cover at end of the plug on the power cord. Slide fuse cover open to expose fuse. Using needle-nose pliers, remove fuse. Inspect fuse--the small, glass tube with metal on each end--to determine whether it will need to be replaced. [If the fuse is blown, it will look dark and smudged or the visible wire inside will be broken.] Use a replacement fuse with a rating of 5 amps, 125 volts only and insert fuse in between the metal brackets inside the fuse housing. Slide the fuse cover completely back on.



7. Testing Your Fan.

It is recommended that you test the fan before finalizing installation. Restore power from circuit box and light switch (if applicable). Test fan speeds with wall control. Start at the **Off** position (no blade movement). One turn of dial on fan will set fan to HIGH (**H**). Two turns will set fan to MEDIUM (**M**). Three turns will set fan to LOW (**L**). If fan does not function properly, please refer to "Troubleshooting" section to solve any issues before contacting Customer Service.

Troubleshooting.

WARNING: Failure to disconnect power supply prior to troubleshooting any wiring issues may result in serious injury.

Problem: Fan fails to operate.

Solutions:

1. Check power to wall switch.
2. Verify that dial on fan is set on High (H), Medium (M), or Low (L) speed.
3. Check to be sure that the 3-prong plug is plugged in properly and into the correct type of outlet.
4. Check to be sure the fuse located in the 3-prong plug is still good. [**Note:** Check to be sure which appliance blew the fuse before replacing fuse.]
5. Check GFCI outlet and check to see if it needs to be re-set.

Problem: Fan wobbles.

Solutions:

1. Check that wall mounting bracket is secure.
2. Check to be sure that fan is securely mounted on wall mounting bar.
3. Check to be sure that Allen screw is securely tightened.

Problem: Fan makes grinding noise as blades rotate.

Solutions:

1. Check to be sure that blade assembly is attached correctly and tightened securely.
2. Check to be sure that Allen screw is securely tightened.

Warranty.

LITEX LIFETIME LIMITED WARRANTY:

LITEX INDUSTRIES, LTD. warrants this fan to the original household purchaser for indoor use under the following provisions:

1-YEAR WARRANTY: LITEX INDUSTRIES, LTD. will replace or repair any fan which has faulty performance due to a defect in material or workmanship. Contact Litex Customer Service at **1-800-527-1292** to arrange for return of fan.

Return fan, shipping prepaid, to Litex Industries, Ltd. We will repair or ship you a replacement fan, and we will pay the return shipping cost.

5-YEAR WARRANTY: LITEX INDUSTRIES, LTD. will repair or replace, at no charge to the original purchaser, any fan motor that fails to operate satisfactorily when failure results from normal use.

RETURN FAN MOTOR ONLY, shipping prepaid, to Litex Industries. We will repair or ship purchaser a replacement motor and Litex will pay the return shipping cost.

6-YEAR to LIFETIME LIMITED WARRANTY: LITEX INDUSTRIES, LTD. will repair the fan, at no charge for labor only to the original purchaser, if the fan motor fails to operate satisfactorily when failure results from normal use. Parts used in the repair will be billed to the purchaser at prevailing prices at time of repair.

The purchaser shall be responsible for all costs incurred in the removal, reinstallation and shipping of the product for repairs.

This warranty does not apply when damage from mechanical, physical, electrical or water abuse results in causing the malfunction. Deterioration of finishes or other parts due to time or exposure to salt air is specifically exempted under this warranty.

Neither Litex Industries nor the manufacturer will assume any liability resulting from improper installation or use of this product. In no case shall the company be liable for any consequential damages for breach of this, or any other warranty expressed or implied whatsoever. This limitation as to consequential damages shall not apply in states where prohibited.

Parts Replacement.

For parts and information, please refer to "Parts Inventory" on page 2.

Customer Support:

1-800-527-1292

