



Dryer

User manual

DVE(G)45R6300*/DVE(G)45R6100*

SAMSUNG

Contents

Safety information	4
What you need to know about the safety instructions	4
Important safety symbols	4
CALIFORNIA PROPOSITION 65 WARNING	5
Important safety precautions	5
Warnings	8
Cautions	8
Regulatory notice	10
FCC Notice	10
IC Notice	11
Open Source Announcement	12
Installation requirements	13
Key installation requirements	13
Location considerations	13
Ducting requirements	18
Exhausting requirements	19
Gas requirements	20
Electrical requirements	21
Installation	24
What's included	24
Step-by-step installation	26
Vent blockage test	33
Exhaust ducting guide	34
Door reversal	35
Before you start	38
Sort and load	38
Functional prerequisite	38

Operations	39
Control panel	39
Simple steps to start	43
Cycle overview	44
Cycle chart	46
Drying guide	48
Special features	49
Bixby (DVE(G)45R6300* models only)	51
SmartThings (DVE(G)45R6300* models only)	52
Maintenance	53
Cleaning	53
Troubleshooting	54
Checkpoints	54
Information codes	57
Specifications	58
Fabric care chart	58
Protecting the environment	59
Specification sheet	60



Safety information

Congratulations on your new Samsung dryer. This manual contains important information on the installation, use and care of your appliance. Please take some time to read this manual to take full advantage of your dryer's many benefits and features.

What you need to know about the safety instructions

Please read this manual thoroughly to ensure that you know how to safely and efficiently operate the extensive features and functions of your new appliance. Please store the manual in a safe location close to the appliance for future reference. Use this appliance only for its intended purpose as described in this instruction manual.

Warnings and Important Safety Instructions in this manual do not cover all possible conditions and situations that may occur. It is your responsibility to use common sense, caution and care when installing, maintaining and operating your dryer.

Because the following operating instructions cover various models, the characteristics of your dryer may differ slightly from those described in this manual and not all warning signs may be applicable. If you have any questions or concerns, contact your nearest service center or find help and information online at www.samsung.com.

Important safety symbols

What the icons and signs in this user manual mean:

 **WARNING**

Hazards or unsafe practices that may result in severe personal injury, death and/or property damage.

 **CAUTION**

Hazards or unsafe practices that may result in personal injury and/or property damage.

 **NOTE**

Indicates that a risk of personal injury or material damage exists.

SAVE THESE INSTRUCTIONS



These warning signs are here to prevent injury to yourself and others.
Please follow them explicitly.

After reading this manual, store it in a safe place for future reference.

Read all instructions before using the appliance.

As with any equipment that uses electricity and moving parts, potential hazards exist.
To safely operate this appliance, familiarize yourself with its operation and exercise care when using it.

WARNING - Risk of Fire

- Clothes dryer installation must be performed by a qualified installer.
- Install the clothes dryer according to the manufacturer's instructions and local codes.
- Do not install a clothes dryer with flexible plastic venting materials. If flexible metal (foil type) duct is installed, it must be of a specific type identified by the appliance manufacturer as suitable for use with clothes dryers. Flexible venting materials are known to collapse, be easily crushed, and trap lint. These conditions will obstruct clothes dryer airflow and increase the risk of fire.
- To reduce the risk of severe injury or death, follow all installation instructions.
- Save these instructions.

CALIFORNIA PROPOSITION 65 WARNING

WARNING

Cancer and Reproductive Harm - www.P65Warnings.ca.gov.

Important safety precautions

WARNING

To reduce the risk of fire, electric shock, or injury to persons when using your appliance, follow basic precautions, including the following:

1. Read all instructions before using this appliance.
2. Do not dry articles that have been previously cleaned in, washed in, soaked in, or spotted with gasoline, dry-cleaning solvents, or other flammable or explosive substances, as they give off vapors that could ignite or explode.

SAVE THESE INSTRUCTIONS



Safety information

3. Do not use the dryer to dry clothes which have traces of any flammable substance, such as vegetable oil, cooking oil, machine oil, flammable chemicals, paint thinner, etc., or anything containing wax or chemicals, such as mops and cleaning cloths. Flammable substances may cause the fabric to catch fire by itself.
4. Do not store or use gasoline or other flammable vapors and liquids near this or any other appliance.
5. Do not allow children to play on or in the appliance. Close supervision of children is necessary when the appliance is used near children.
6. Before the appliance is removed from service or discarded, remove the door to the drying compartment.
7. Do not reach into the appliance if the drum is moving.
8. Do not install or store this appliance where it will be exposed to the weather.
9. Do not tamper with internal controls.
10. Do not repair or replace any part of the appliance or attempt any service unless specifically recommended in the user-maintenance instructions or in published user-repair instructions that you understand and have the skills to carry out.
11. Do not use fabric softeners or products to eliminate static unless recommended by the manufacturer of the fabric softener or product.
12. Clean the lint screen before or after each load.
13. Do not use heat to dry articles containing foam rubber or similarly textured rubber-like materials.
14. Keep area around the exhaust opening and adjacent surrounding areas free from the accumulation of lint, dust, and dirt.
15. The interior of the appliance and exhaust duct should be cleaned periodically by qualified service personnel.
16. Do not place items exposed to cooking oils in your dryer. Items contaminated with cooking oils may contribute to a chemical reaction that could cause a load to catch fire. To reduce the risk of fire due to contaminated loads, the final part of a tumble dryer cycle occurs without heat (cool down period). Avoid stopping a tumble dryer before the end of the drying cycle unless all items are quickly removed and spread out so that the heat is dissipated.
17. This appliance must be grounded. See “**Electrical requirements**” and “**Grounding**” in “**Installation**” section.
18. Do not allow children to play on or in the appliance. Close supervision of children is necessary when the appliance is used near children.

SAVE THESE INSTRUCTIONS



-
19. Do not insert your hand under the dryer.
- This may result in injury.
20. Take care that children's fingers are not caught in the door when closing it.
- This may result in injury.
21. The control board and inlet valve are intentionally not grounded and may present a risk of electric shock only during servicing.
- Do not contact these parts while the appliance is energized.

 **WARNING - To reduce the risk of fire or explosion:**

- Do not dry items that have been previously cleaned, washed, soaked, or spotted with gasoline, dry cleaning solvents, or other flammable or explosive substances. They emit vapors that could ignite or explode. Any material that has been in contact with a cleaning solvent or flammable liquids or solids should not be placed in the dryer until all traces of these flammable liquids or solids and their fumes have been removed. There are many highly flammable items used in homes, such as acetone, denatured alcohol, gasoline, kerosene, some liquid household cleaners, some spot removers, turpentine, waxes, and wax removers.
- Items containing foam rubber (which may be labeled latex foam) or similarly textured rubberlike materials must not be dried on a heat setting. Heated foam rubber materials can, under certain circumstances, ignite spontaneously.

 **WARNING - What to do if you smell gas:**

- Do not try to light any appliance.
- Do not turn on the appliance.
- Do not touch any electrical switch.
- Do not use any phone in your building.
- Clear the room, building or area of all occupants.
- Immediately call your gas supplier from a neighbor's phone. Follow the gas supplier's instructions.
- If you cannot reach your gas supplier, call the fire department.
- Installation and service must be performed by a qualified installer, service agency, or the gas supplier.

SAVE THESE INSTRUCTIONS



Safety information

Warnings

WARNING

- Ensure pockets are free of small, irregularly shaped hard objects and foreign material, i.e. coins, knives, pins, etc. These objects could damage your dryer.
- Gas leaks may occur in your system, resulting in a dangerous situation.

Cautions

CAUTION

- Do not allow children or pets to play on, in, or in front of the appliance. Close supervision is necessary when the appliance is used near children and pets.
- Before discarding or removing your dryer from service, remove the door to the drying compartment to prevent children or animals from becoming trapped inside.
- Do not reach into the appliance when the drum is moving.
- Do not install or store this appliance where it will be exposed to the weather.
- Do not tamper with the controls.
- Do not repair, replace, or attempt to service any part of the appliance unless specifically instructed to in the user-repair instructions and you have the understanding and skills to carry out the procedure.
- Do not use fabric softeners or products to eliminate static unless the softener or product is recommended for dryer use by the manufacturer of the fabric softener or product.
- Clean the lint screen before or after each load.
- Keep the area around the exhaust opening and surrounding areas free from lint, dust, and dirt.
- The interior of the dryer and exhaust duct should be cleaned periodically by qualified service personnel.
- This appliance must be properly grounded. Never plug the power cord into a receptacle that is not grounded adequately or not in accordance with local and national codes. See the installation instructions for information about grounding this appliance.
- Do not sit on top of the dryer.
- Do not dry clothing with large buckles, buttons, or other heavy metal or solid objects.
- Gas leaks may not be detected by smell alone.
- Gas suppliers recommend you purchase and install a UL-approved gas detector.
- Install and use in accordance with the manufacturer's instructions.

SAVE THESE INSTRUCTIONS



- Do not place items in your dryer that have been spotted or soaked with vegetable oil or cooking oil. Even after being washed, these items may contain significant amounts of these oils.
- Residual oil on clothing can ignite spontaneously. The potential for spontaneous combustion increases when items containing vegetable oil or cooking oil are exposed to heat. Heat sources such as your dryer can warm these items, allowing an oxidation reaction in the oil to occur. Oxidation creates heat. If this heat cannot escape, the items can become hot enough to catch fire. Piling, stacking, or storing these kinds of items may prevent heat from escaping and can create a fire hazard.
- All washed and unwashed fabrics that contain vegetable oil or cooking oil can be dangerous.

Washing these items in hot water with extra detergent will reduce, but not eliminate, the hazard. Always use the Cool Down cycle for these items to reduce their temperature. Never remove these items from the dryer hot or interrupt the drying cycle until the items have run through the Cool Down cycle. Never pile or stack these items when they are hot.

SAVE THESE INSTRUCTIONS

Regulatory notice

FCC Notice

CAUTION

Any changes or modifications not expressly approved by the party responsible for compliance could void the user's authority to operate the equipment.

This device complies with Part 15 of FCC Rules. Operation is Subject to following two conditions:

1. This device may not cause harmful interference, and
2. This device must accept any interference received including interference that cause undesired operation.

For products sold in the US and Canadian markets, only channels 1-11 are available. You cannot select any other channels.

FCC STATEMENT:

This equipment has been tested and found to comply within the limits for a Class B digital device, pursuant to part 15 of the FCC Rules. These limits are designed to provide reasonable protection against harmful interference in a residential installation.

This equipment generates, uses, and can radiate radio frequency energy and, if not installed and used in accordance with the instructions, may cause harmful interference to radio communications. However, there is no guarantee that interference will not occur in a particular installation. If this equipment does cause harmful interference to radio or television reception, which can be determined by turning the equipment off and on, the user is encouraged to try to correct the interference by one or more of the following measures:

- Reorienting or relocating the receiving antenna
- Increasing the separation between the equipment and receiver
- Connecting the equipment to an outlet that is on a different circuit than the radio or TV.
- Consulting the dealer or an experienced radio/TV technician for help.

FCC RADIATION EXPOSURE STATEMENT:

This equipment complies with FCC radiation exposure limits set forth for an uncontrolled environment. This equipment should be installed and operated so there is at least 8 inches (20 cm) between the radiator and your body. This device and its antenna(s) must not be colocated or operated in conjunction with any other antenna or transmitter.

SAVE THESE INSTRUCTIONS

Unintentional emitter per FCC Part 15
Product type : Clothes Dryers
Model : DVE(G)45R6300*
Responsible Party - U.S. Contact Information
Samsung Electronics America, Inc.
QA Lab America
19 Chapin Rd. Building D Pine Brook NJ 07058
Tel: 1-973-808-6375 Fax: 1-973-808-63

IC Notice

The term "IC" before the radio certification number only signifies that Industry Canada technical specifications were met. Operation is subject to the following two conditions:

1. This device may not cause interference, and
2. This device must accept any interference, including interference that may cause undesired operation of the device.

This Class B digital apparatus complies with Canadian ICES-003.

Cet appareil numérique de la classe B est conforme à la norme NMB-003 du Canada.

For products sold in the US and Canadian markets, only channels 1-11 are available. You cannot select any other channels.

IC RADIATION EXPOSURE STATEMENT:

This equipment complies with IC RSS-102 radiation exposure limits set forth for an uncontrolled environment. This equipment should be installed and operated so there is at least 8 inches (20 cm) between the radiator and your body. This device and its antenna(s) must not be colocated or operated in conjunction with any other antenna or transmitter.

SAVE THESE INSTRUCTIONS

Regulatory notice

Open Source Announcement

The software included in this product contains open source software. You may obtain the complete corresponding source code for a period of three years after the last shipment of this product by sending an email to <mailto:oss.request@samsung.com>.

It is also possible to obtain the complete corresponding source code in a physical medium such as a CD-ROM; a minimal charge will be required.

The following URL http://opensource.samsung.com/opensource/SMART_AT_051/seq/0 leads to the download page of the source code made available and open source license information as related to this product. This offer is valid to anyone in receipt of this information.



NOTE

Hereby, Samsung Electronics, declares that the radio equipment type appliance is in compliance with Directive 2014/53/EU. The full text of the EU declaration of conformity is available at the following internet address: The official Declaration of conformity may be found at <http://www.samsung.com>, go to Support > Search Product Support and enter the model name.

Wi-Fi max transmitter power : 20 dBm at 2.412 GHz - 2.472 GHz

SAVE THESE INSTRUCTIONS

Installation requirements

Read through the following instructions before installing the dryer and keep this manual for future reference.

WARNING

Certain internal parts are intentionally not grounded and may present a risk of electric shock only during servicing.

Service Personnel - Do not contact the following parts while the appliance is energized: Control board and inlet valve.

Key installation requirements

- A grounded electrical outlet.
- A power cord for electric dryers (except in Canada).
- Gas lines (for gas models) that must meet national and local regulations.
- An exhaust system made of rigid metal or flexible stiff-walled metal exhaust ducting.

WARNING

Remove the door from all discarded appliances to prevent a child from suffocating.

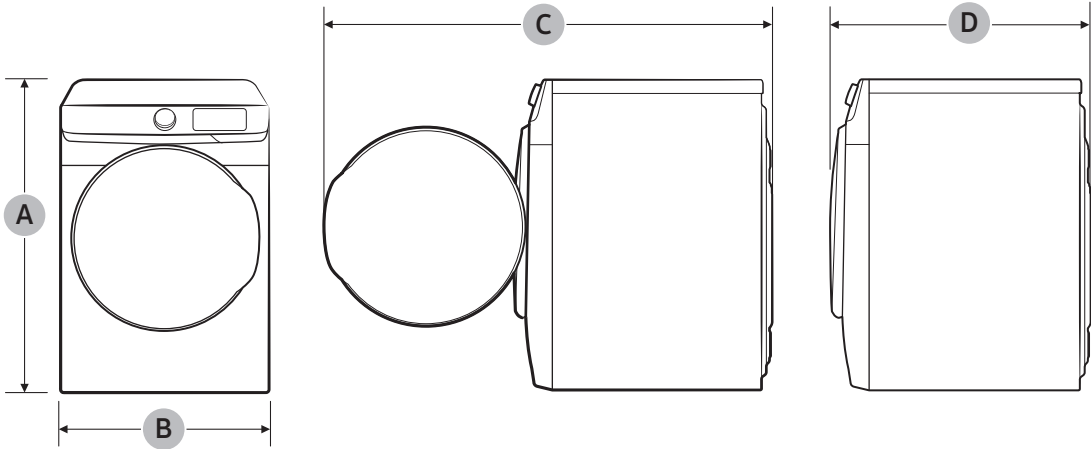
Location considerations

The dryer should be located where there is enough space at the front for loading the dryer, and enough space behind for the exhaust system. This dryer is factory-ready for the rear exhaust option. To exhaust out the bottom, right or the left, use the accessory exhaust kit. Instructions are included with the kit. Make sure the room in which the dryer is located has enough fresh air. The dryer must be located where there are no air-flow obstructions. For gas dryers, adequate clearance must be maintained as noted on the data plate to ensure adequate air for combustion and the proper dryer operation.

The dryer must not be installed or stored in an area where it will be exposed to water and/or weather. The dryer area must be kept clear of combustible materials, gasoline, and other flammable vapors and liquids. A dryer produces combustible lint. The area around the dryer should be kept lint-free.

Installation requirements

Dimensions



Type		Front loading dryer
Dimensions (in. (mm))	A. Overall height	38.7 (984)
	B. Width	27.0 (686)
	C. Depth with door open	52.6 (1335)
	D. Depth	31.5 (800)

Installation requirements

Clearance requirement

This clearance requirement is applicable for dryers only.

NOTE

- For washer's clearance requirement, see the washer's user manual.
- If the washer and dryer have different clearance requirements, use the one with the larger value.

Alcove or closet installations

WARNING

- The dryer must be exhausted to the outside to reduce the risk of fire when installed in an alcove or closet.
- No other fuel-burning appliance should be installed in the same closet as the dryer.
- Place the dryer at least 18 in. (460 mm) above the floor for garage installation.

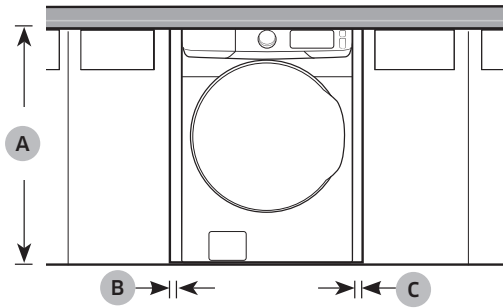
Minimum clearance for stable operation:

Sides	Top	Rear	Front
1 in. (25 mm)	1 in. (25 mm)	5.9 in. (150 mm)	1 in. (25 mm)

If both the washer and a dryer are installed in the same location, the front of the alcove or closet must have two unobstructed air openings for a combined minimum total area of 72 in.² (465 cm²).

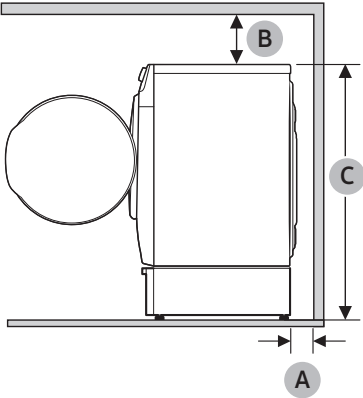
Installation requirements

Undercounter installation



A	39.6 in. (1006 mm)
B	1 in. (25 mm)
C	1 in. (25 mm)

Pedestal installation

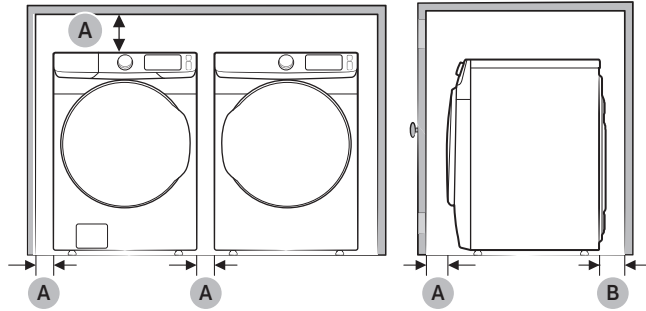


A	5.9 in. (150 mm)
B	6 in. (152 mm)
C	52.0 in. (1320 mm)

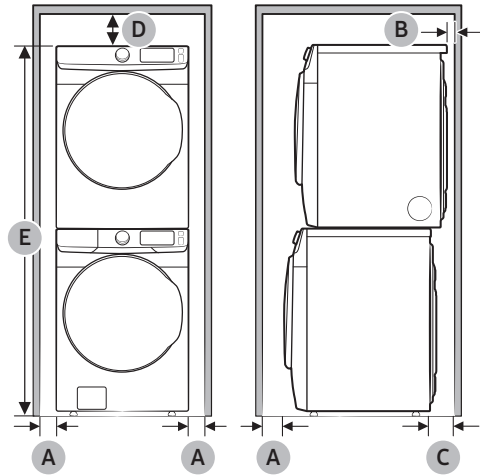
Installation requirements

This clearance requirement is applicable for washer and dryer pair installation.

Side by side installation



Stacked installation (Model: SKK-8K)



A	1 in. (25 mm)
B	5.9 in. (150 mm)
C	7.1 in. (180 mm)
D	6 in. (152 mm)
E	78.5 in. (1994 mm)

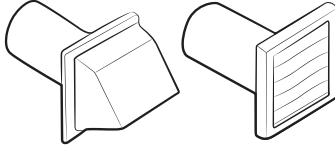
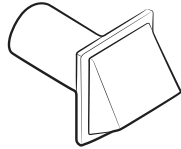
NOTE

Stacking (MODEL NO: SKK-8K)

Many of Samsung's washers and dryers can be stacked to maximize usable space. You can purchase an optional stacking kit from your Samsung retailer. For details about stacking and compatible models, refer to the user manual included in the stacking kit you purchase.

Installation requirements

Ducting requirements

Weather hood type	Recommended	Use only for short-run installation
	 <p>4" (10.2 cm)</p>	 <p>2.5" (6.4 cm)</p>
No. of 90° elbows	Rigid	Rigid
0	80 ft. (24.4 m)	74 ft. (22.6 m)
1	68 ft. (20.7 m)	62 ft. (18.9 m)
2	57 ft. (17.4 m)	51 ft. (15.5 m)
3	47 ft. (14.3 m)	41 ft. (12.5 m)

NOTE

* Use a 4-inch (10.2 cm) diameter rigid aluminum or galvanized steel duct.

If you integrate the dryer's vent system with an existing exhaust system:

- Make sure the exhaust system meets all applicable local, state, and national regulations.
- Verify you are not using flexible plastic duct.
- Make sure to check for and remove all lint buildup from inside the existing ducts.
- Confirm the duct is not kinked or crushed.
- Make sure the exhaust hood damper opens and closes freely.

Manometer measurements

The static pressure in any exhaust system must not exceed 0.83 inches of water column or be less than 0. Note that these values are measured with the dryer running with a manometer presented to the exhaust duct that connects to the dryer. The dryer tumbler must be empty and lint filter clean.

Exhausting requirements

The dryer must not be exhausted into a chimney, a wall, a ceiling, an attic, a crawl space, or a concealed space of a building. Exhausting the dryer to the outside will prevent large amounts of lint and moisture from being blown into the room.

In the United States and Canada

- All dryers must be exhausted to the outside.
- The required exhaust duct is 4 inches (10.2 cm) in diameter.
- See “**Ducting requirements**” in the “**Installation**” section for the maximum duct length and number of bends that can be used.
- The total length of flexible metal duct must not exceed 7’ 10 1/2” (2.4 m).
- Do not assemble the duct with screws or other fasteners that extend into the duct and catch lint.
- **For the United States only:** Use only those foil-type flexible ducts, if any, specifically identified for use with the appliance by the manufacturer and that comply with the Outline for Clothes Dryer Transition Duct. Use Subject 2158A.

Outside the United States and Canada

- Refer to the local codes.

WARNING

- You must exhaust the dryer to the outside to reduce the risk of fire when you install the dryer in an alcove or closet.
- Do not use a plastic or non-metal flexible duct.
- If your existing ductwork is plastic, non-metal, or combustible, replace it with metal.
- Use only a metal exhaust duct that is non-flammable to ensure containment of exhaust air, heat, and lint.



Installation requirements

Gas requirements

WARNING

- Use only natural or LP (liquid propane) gases.
- The installation must be conformed with local codes, or in the absence of local codes, with the national fuel gas code, ANSI Z223.1/NFPA 54, latest revision (for the UNITED STATES), or with the natural gas and propane installation code, CSA B149.1 (for Canada).
- Gas dryers are equipped with a burner vent for use with natural gas. If you plan to use your dryer with LP (liquid propane) gas, it must be converted for safe and proper performance by a qualified service technician. **(LNG models only)**

You must check the burner of your model and use the proper LP Kit accordingly. To check the detail information of the burner, open the door and check the rating label location on the door frame.

- 20,000 BTU: LPKIT-4/XAA (DC98-04114A)
- 22,000 BTU: LPKIT-3/XAA (DC99-00792A)
- A 1/2" (1.27 cm) gas supply line is recommended and must be reduced to connect to the 3/8" (1 cm) gas line on your dryer. The National Fuel Gas Code requires that an accessible, approved manual gas shut-off valve be installed within 6" of your dryer.
- Gas dryers installed in residential garages must be raised 18 inches (46 cm) above the floor.
- Additionally, a 1/8" (0.3 cm) N.P.T. (National Pipe Thread) plugged tapping, accessible for test gauge connection, must be installed immediately upstream of your dryer's gas supply connection.
- Your dryer must be disconnected from the gas supply pipe system during any pressure testing of the system.
- Do not reuse old flexible metal gas lines. Flexible gas lines must be designed and certified by the standard for connectors for Gas Appliances, ANSI Z21.24 • CSA 6.10.

NOTE

- Your dryer uses an automatic ignition system to ignite the burner. There is no constant burning pilot.
- Any pipe joint compound used must be resistant to the action of any liquefied petroleum gas.
- As a courtesy, most local gas utilities will inspect a gas appliance installation.



Commonwealth of Massachusetts installation instructions

Your dryer must be installed by a licensed plumber or gas fitter. A “T” handle manual gas valve must be installed in the gas supply line to your dryer. If a flexible gas connector is used to install your dryer, the connector can be no longer than 3’ (36”).

WARNING

- Gas leaks may occur in your system, creating a dangerous situation.
- Gas leaks may not be detected by smell alone.
- Gas suppliers recommend you purchase and install a UL-approved gas detector.
- Install and use in accordance with the manufacturer’s instructions.

Electrical requirements

The wiring diagram is located on the plate under the control panel or rear frame.

WARNING

- Improperly connecting the equipment grounding conductor can result in a risk of electric shock. Check with a qualified electrician or serviceman if you are in doubt as to whether your dryer is properly grounded. Do not modify the plug provided with your dryer – if it doesn’t fit the outlet, have a proper outlet installed by a qualified electrician.
- To prevent unnecessary risk of fire, electrical shock, or personal injury, all wiring and grounding must be done in accordance with local codes, or in the absence of local codes, in accordance with the National Electrical Code, ANSI/NFPA No. 70-Latest Revision (for the U.S.) or the Canadian Electrical Code CSA C22.1 – Latest Revisions and local codes and ordinances. It is your responsibility to provide adequate electrical service for your dryer.
- All gas installations must be done in accordance with the national Fuel Code ANSI/Z2231 – Latest Revision (for the U.S.) or CAN/CGA – B149 Installation Codes – Latest Revision (for Canada) and local codes and ordinances.



Installation requirements

Grounding

This dryer must be grounded. In the event of a malfunction or breakdown, the ground will reduce the risk of electrical shock by providing a path of least resistance for the electrical current.

Gas models

WARNING

- Your dryer has a cord with an equipment-grounding conductor and a grounding plug. The plug must be plugged into an appropriate outlet that is properly installed and grounded in accordance with all local codes and ordinances.
- Do not modify the plug provided with your dryer - if it doesn't fit the outlet, have a proper outlet installed by a qualified electrician.
- Do not connect the ground wire to plastic plumbing lines, gas lines, or hot water pipes.

Electric models

WARNING

- Your dryer has an optional cord with an equipment-grounding conductor and a grounding plug. This cord is sold separately.
- The plug must be plugged into an appropriate outlet that is properly installed and grounded in accordance with all local codes and ordinances.
- Do not modify the plug provided with your dryer - if it doesn't fit the outlet, have a proper outlet installed by a qualified electrician.
- If a power cord is not used and the electric dryer is to be permanently wired, the dryer must be connected to a permanently grounded metal wiring system, or an equipment grounding conductor must be run with the circuit conductors and connected to the equipment grounding terminal or lead on the dryer.



Electrical connections

Before operating or testing, follow all grounding instructions in the “**Grounding**” section. An individual branch (or separate) circuit serving only your dryer is recommended.

Do not use an extension cord.

Gas models – U.S. and Canada

A 120 volt, 60 Hz AC approved electrical service with a 15-ampere fuse or circuit breaker is required.

Electric models – U.S. only

Most U.S. dryers require a 120 / 240 volt, 60 Hz AC approved electrical service. Some require 120 / 208 volt, 60 Hz approved electrical service. The electric service requirements can be found on the data label located behind the door. A 30-ampere fuse or circuit breaker on both sides of the line is required.

- If a power cord is used, the cord should be plugged into a 30-ampere receptacle.
- The power cord is not provided with U.S. electric model dryers. This cord is sold separately.

Risk of Electric Shock

WARNING

When local codes allow, you can connect the dryer’s electrical supply with a new power supply cord kit, marked for use with a dryer, that is U.L. listed and rated at a minimum of 120 / 240 volts, 30-amperes with three No. 10 copper wire conductors terminated with closed loop terminals, open-end spade lugs with turned up ends, or with tinned leads.

- Do not reuse a power supply cord from an old dryer. The power cord electric supply wiring must be supported at the dryer cabinet by a suitable UL-listed strain relief.
- Grounding through the neutral conductor is prohibited for (1) new branch-circuit installations, (2) mobile homes, (3) recreational vehicles, and (4) areas where local codes prohibit grounding through the neutral conductor. (Use a 4-prong plug for a 4 wire receptacle, NEMA type 14-30R.)

Electric models – Canada Only

A 120 / 240 volt, 60 Hz AC approved electrical service fused through a 30-ampere fuse or circuit breaker on both sides of the line is required.

NOTE

All Canadian models are shipped with the power cord attached. The power cord should be plugged into a 30-ampere receptacle. In Canada, you may convert a dryer to 120 / 208 volts.

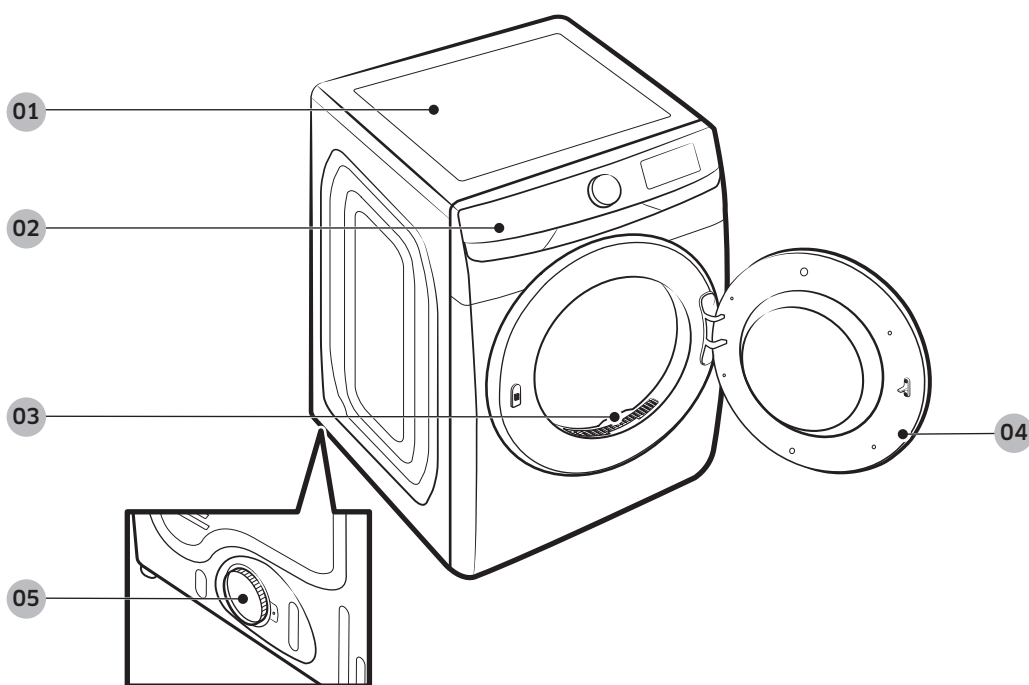
Installation

This dryer must be installed by a qualified technician. The installer is responsible for connecting the dryer to the main power while observing the relevant safety regulations of your area.

What's included

Make sure all the parts are included in the product package. If you have a problem with the dryer or the parts, contact a local Samsung customer center or the retailer.

Installation



01 Worktop

02 Control panel

03 Lint filter

04 Door

05 Exhaust duct

Parts supplied



Y-connector

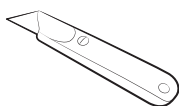


Short water hose

Tools needed for installation



Pliers



Cutting knife



Pipe wrench
(gas models only)



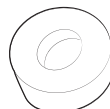
Nut screwdriver



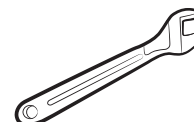
Level



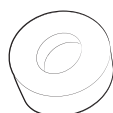
Phillips screwdriver



Duct tape



Wrench



LPG-safe compound
or Teflon Tape (for
gas installation)

WARNING

Packing materials can be dangerous to children. Keep all packing materials (plastic bags, polystyrene, etc.) out of children's reach.

Installation

Step-by-step installation

Make sure you have a qualified technician install the dryer. Step by step installation instructions start below.

- Do not remove the protective film on the door before completing the product installation. If you remove the protective film before the installation is complete, the door may get scratched or damaged during installation.
- Make sure the installation location allows enough space for the dryer door to be fully open.

STEP 1 Install the exhaust system

1. Select a location and move the dryer to the site. For easy access, we recommend you install the dryer in the same location as your washer.
2. To change the door direction, see “Door reversal” on page 35.
3. Install the exhaust system as instructed in the “Exhaust ducting guide” section.

CAUTION

Before installing your dryer, remove the packing in the duct.

NOTE

- To move the dryer easily, lay two of the carton cushions from the packaging on the floor. Tip the dryer on its side so it lies across both cushion-tops. Push the dryer so that it is near its final location, and then set the dryer upright.
- Secure room around the dryer to facilitate ducting and wiring.

STEP 2 Connect the gas line (for gas models)

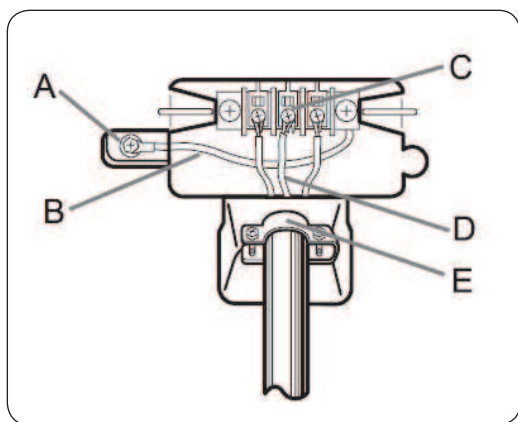
Before connecting the gas line, make sure you have read the “Gas requirements” section on page 20.

1. Remove the protective cap from the gas pipe.
2. Apply an LPG (Liquefied Petroleum Gas)-safe compound or 1.5 wraps of Teflon tape to all threaded connections.
3. Connect the gas supply to the dryer. An additional fitting is required to connect the 3/4” (1.9 cm) female thread end of a flexible connector to the 3/8” (1 cm) male threaded end on the dryer. Tighten up the fitting over all threads.
4. Turn on the gas supply, and check for any leaks using a soap solution. If a leak is found, tighten the connections and try again. Do not use an open flame to check for gas leaks.

STEP 3 Connect the electrical wiring (for electric models)

Before connecting the electrical wiring, make sure you have read the “**Electrical requirements**” section on page 21.

3-wire system



- A. External ground connector
- B. Neutral grounding wire (white)
- C. Center silver-colored terminal block screw
- D. Neutral wire (white or center wire)
- E. 3/4" (1.9 cm) UL-listed strain relief

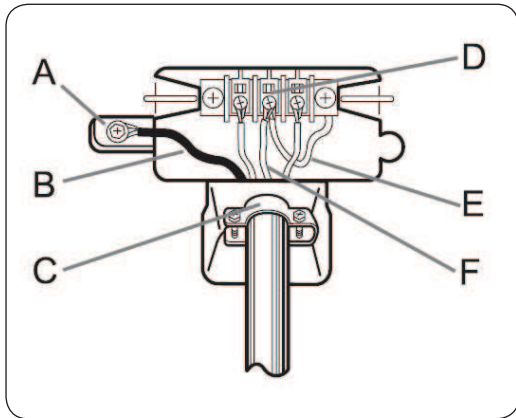
1. Loosen or remove the center terminal block.
2. Connect the neutral wire (white or center wire) of the power cable to the center, silver-colored terminal screw of the terminal block. Tighten the screws.
3. Connect the other wires to outer terminal block screws. Tighten the screws.
4. Tighten the strain relief screws.
5. Insert the terminal block cover into the rear panel of the dryer. Then, secure the cover with a hold-down screw.

CAUTION

- To convert from the 4-wire system to 3-wire system, connect the ground strap to the terminal block support to ground the dryer frame to the neutral conductor.
- Ring-type terminals are recommended. If using strap terminals, make sure they are tightened.

Installation

4-wire system



- A. External ground connector
- B. Green or bare copper wire of power cord
- C. 3/4" (1.9 cm) UL-listed strain relief
- D. Center silver-colored terminal block screw
- E. Neutral grounding wire (white)
- F. Neutral wire (white or center wire)

1. Remove the external ground connector's screw and connect the ground wire (green or unwrapped) of the power cable to the screw.

⚠ CAUTION

- To connect the ground wire to the neutral position without through contact A (cabinet ground), contact a technician. This is not user serviceable.
 - Ring-type terminals are recommended. If using strap terminals, make sure they are tightened.
2. Loosen or remove the screws from the center terminal block.
 3. Connect the neutral wire (white or center wire) and ground wire (white) to the center screw of the terminal block. Tighten the screw.
 4. Connect the other wires to the outer terminal block screws. Tighten the screws.
 5. Tighten the strain relief screws.
 6. Insert the tab of the terminal block cover into the rear slot of the dryer. Secure the cover with a hold-down screw.

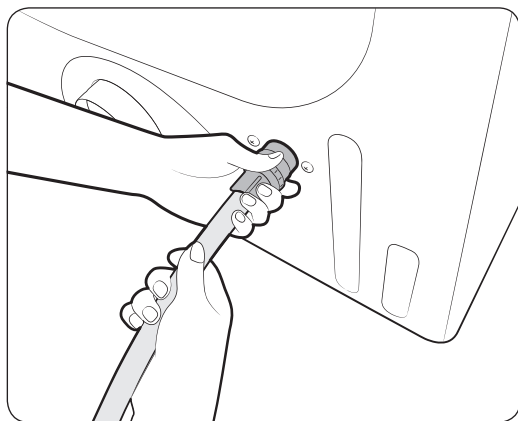
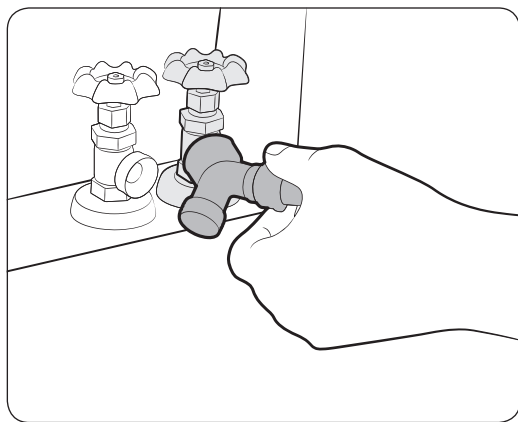
⚠ WARNING

- All U.S. models are designed for a 3-wire system connection. The dryer frame is grounded to the neutral conductor at the terminal block. A 4-wire system connection is required for new or remodeled construction, mobile homes, or if local codes do not permit grounding through neutral. If you use the 4-wire system, you cannot ground the dryer frame to the neutral conductor at the terminal block.
- Remove the terminal block cover plate. Insert the power cord with a UL-listed strain relief through the hole provided in the cabinet near the terminal block.

- A strain relief must be used. Do not loosen the nuts already installed on the terminal block. Be sure they are tight. Use a 3/8" (1 cm) deep well socket.

STEP 4 Connect the water hose

The dryer must be connected to a cold water tap using the provided water hoses.

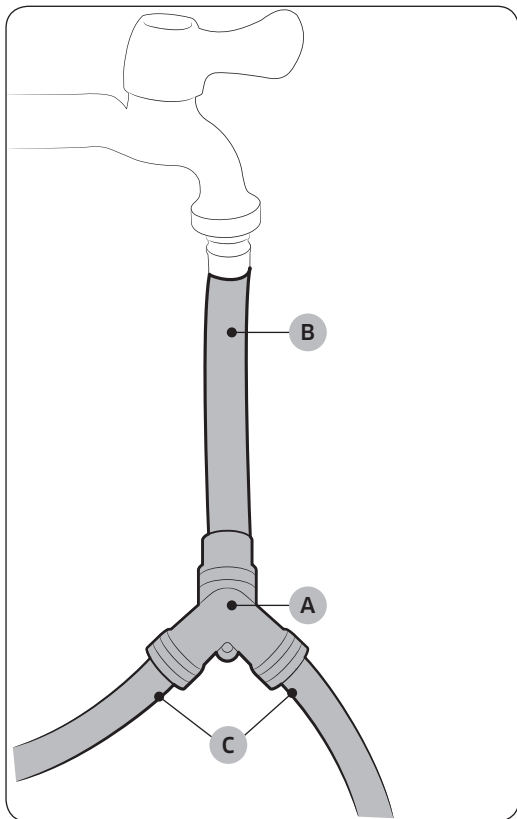


1. Close the cold water tap. If you have a washer's cold water hose attached to the cold water tap, unscrew and remove the hose. Then, connect the female end of the Y-connector to the cold water tap.
2. Connect the straight end of the water hose to the Y-connector. Tighten the hose coupling by hand.
3. Using pliers, tighten the coupling an additional two-thirds turn. Do not overtighten. You can damage the coupling.
4. Connect the angled end of the water hose to the filling valve at the bottom rear of the dryer. Turn the coupling by hand until it is tight.
5. Using pliers, tighten the coupling an additional two-thirds turn. Do not overtighten. You can damage the coupling.
6. If you detached the cold water hose from your washer, attach the hose to the open end of the Y-connector, tighten the coupling by hand until it is tight, and then, using a pliers, tighten an additional two-thirds turn.
7. Open the cold water tap, and then check for any leaks.

If the Y-connector cannot be directly connected to the cold water tap, use the short hose. See the "Using the short hose as an extension" section on page 30.

Installation

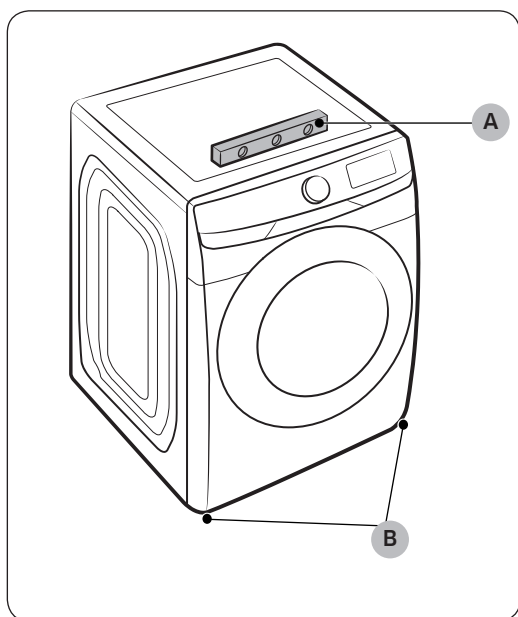
Using the short hose as an extension



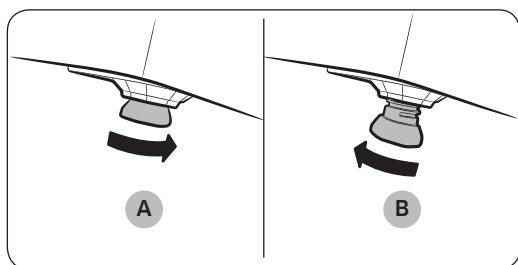
1. Close the cold water tap. If you have a washer's cold water hose attached to the cold water tap, unscrew and remove the hose. Then, connect the **short hose (B)** to the cold water tap. Turn the coupling by hand until it is tight.
2. Using pliers, tighten the coupling an additional two-thirds turn. Do not overtighten. You can damage the coupling.
3. Connect the **Y-connector (A)** to the brass male end of the short hose. Turn the coupling by hand until it is tight.
4. Using pliers, tighten the coupling an additional two-thirds turn. Do not overtighten. You can damage the coupling.
5. Connect the angled end of the **water hoses (C)** to the filling valve at the bottom rear of the dryer. Turn the coupling by hand until it is tight.
6. Using pliers, tighten the coupling an additional two-thirds turn. Do not overtighten. You can damage the coupling.
7. If you detached the cold water hose from your washer, attach the hose to the free end of the Y-connector, tighten the coupling by hand until it is tight, and then, using a pliers, tighten an additional two-thirds turn.
8. Open the cold water tap, and then check for any leaks.

STEP 5 Level the dryer

To ensure optimal performance, the dryer must be level.



Using a **level (A)**, check if the dryer is level side to side and then front to back. If the dryer is not level, turn the **leveling feet (B)** clockwise to lower the dryer or counterclockwise to raise the dryer.



NOTE

- To set the dryer to the same height as your washer, fully **retract (A)** the leveling feet by turning them counterclockwise, then **loosen (B)** the feet by turning them clockwise. Once the dryer is the same height as the washer, follow the directions above to level the dryer.
- Adjust the leveling feet only as much as necessary to level the dryer. Extending the leveling feet more than necessary can cause the dryer to vibrate.

Installation

STEP 6 Power on (for gas models)

Make sure all gas connections, the exhaust line, and all wiring is connected correctly. Then, plug the power cord into a power source and check the dryer's installation and operation using the final checklist in Step 7 below.

STEP 7 Final Check

When installation is complete, confirm that:

- The dryer is plugged into an electrical outlet and grounded properly.
- The exhaust ductwork is connected, and the joints are taped.
- You have used rigid or stiff-walled flexible metal duct material, not plastic flexible duct.
- The dryer is level and is sitting firmly on the floor.
- The dryer starts, runs, heats, and shuts off properly.
- The gas is supplied properly with no leaks (For gas models only).

CAUTION

The burner may not ignite initially due to air in the gas line. Allowing your dryer to operate on a heat setting will purge the line. If the gas does not ignite within 5 minutes, turn your dryer off and wait 5 minutes. Be sure the gas supply to your dryer has been turned on. To confirm gas ignition, check the exhaust for heat.

Vent blockage test

After the dryer is installed, start the Vent Blockage Test to check if the duct system is properly installed. The Vent Blockage Test automatically detects the status of the ducts and reports any blockage or problems. Proper ducting can reduce drying time and save energy.

NOTE

The Vent Blockage Test must run when the dryer is cool. If the dryer warms up after the installation check, run the **AIR FLUFF** cycle for several minutes to reduce its internal temperature.

Running the vent blockage test

1. Make sure the drum is empty, and then close the door. (If there are any clothes or other items in the drum, the test will not give accurate results.)
2. Press the **Power** button to turn the dryer on, then simultaneously press and hold the **Adjust Time** ^ and **Dryness** buttons for 3 seconds. “**InS**” appears in the dryer’s display. (If you have started other procedures before the Vent Blockage Test, the dryer will not enter the Vent Blockage Test mode.)
3. Press the **Start/Pause (Hold to Start)** button. The Vent Blockage Test starts immediately. During the test, the number indicator makes a circle in 6 clockwise steps. The test takes about 2 minutes. Do not open the door during the test.
4. After 2 minutes, when the test is complete, the results are displayed and the dryer sounds a tone. If status of the duct system is normal, “**0**” appears and the dryer sounds a completion tone. If the duct system can not exhaust properly, “**CLg**” appears and the dryer sounds an alarm tone. If there are any other problems, an information code appears in the display. For information about the code, see the “**Information codes**” section on page 57.
 - To stop or cancel the Vent Blockage Test, press the **Power** button to turn off your dryer.
 - During the test, if “**dc**” appears in the display, make sure the door is closed. If “**C1**” is displayed, see if there is laundry inside drum. If there is, stop the test and remove it. Then, start the test again.
 - The results remain on the display for about 5 minutes and then automatically turn off. You can turn the results off immediately by pressing the **Power** button.

Installation

NOTE

- During or after the test, the internal drum is hot. Use caution to prevent burns. The Vent Blockage Test is used to check for problems in the current duct system when the dryer is installed for the first time.
- If the test result displays “CLg” (the duct system is blocked), refer to the “**Ducting requirements**” section on page 18 and the “**Exhaust ducting guide**” section below, and then take proper measures to correct any problems. If the test is suspended, it could result in incorrect results. Follow the proper procedures when testing the dryer.
- Even if the test result is normal (“O”), the duct system could be blocked slightly. Properly install all duct work according to the installation instructions in this manual.

Exhaust ducting guide

Ducting

1. Make sure the dryer is installed properly so the air exhausts freely.
2. Use 4-inch rigid metal ducts. Tape all joints including the dryer connection. Never use lint-trapping screws.
3. To facilitate the exhaust, keep the ducts as straight as possible.

Cleaning

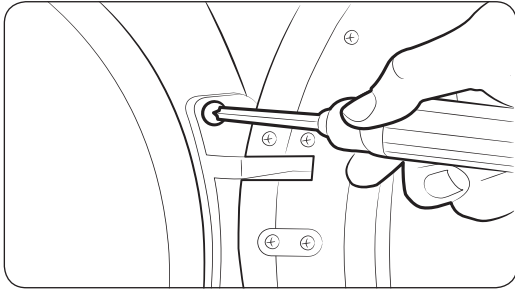
Clean all old ducts before installing the dryer, and make sure the vent flap opens and closes freely. We recommend that you clean the exhaust system annually or on a regular basis.

WARNING

- To prevent fire, do not use plastic, thin-foil, or non-metal flexible ducts of any kind.
- Do not use a poor exhaust system because it slows down the dryer’s performance.
- Do not use excessively long ducts that have multiple elbows.
- Do not use crushed or clogged venting or ducts.

Door reversal

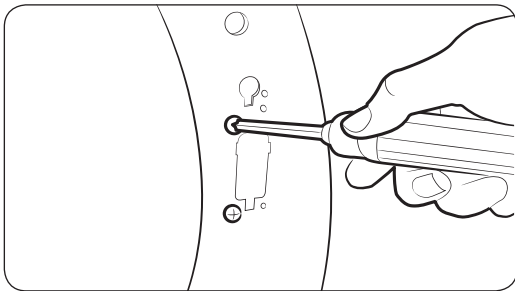
Type 1



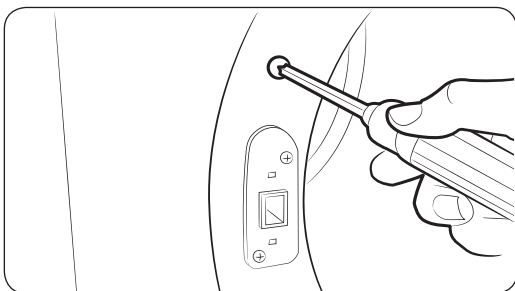
1. Put a soft rug on the floor to rest the door on after you have removed it. This will prevent the door from being scratched.
2. Unplug the power cord.
3. Remove two door hinge screws.
4. Lift the door and remove it.

 **NOTE**

There is a screw on the back side of the hinge that will support the door as you unscrew the hinge screws.

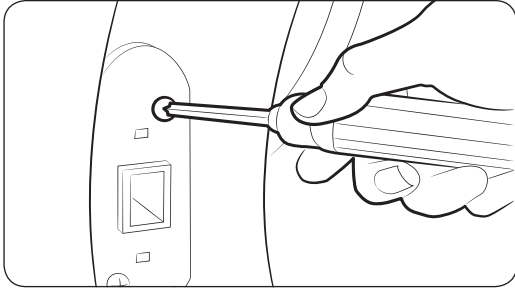


5. Remove the two screws that are above and below the cut-out in the frame front.

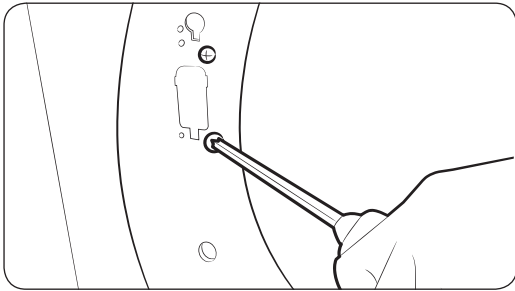


6. Remove the two screws above and below the lever holder on the opposite side of the door opening.

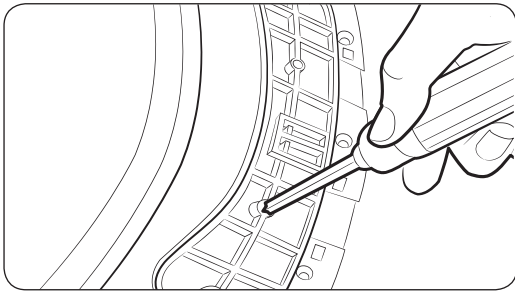
Installation



7. Remove the two screws that hold the lever holder in place, and then remove the lever holder.



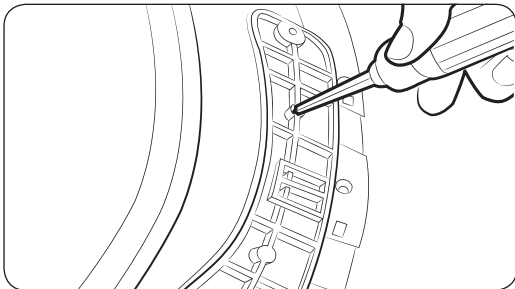
8. Re-insert the two screws that held the lever holder into the same screw holes, and then tighten.



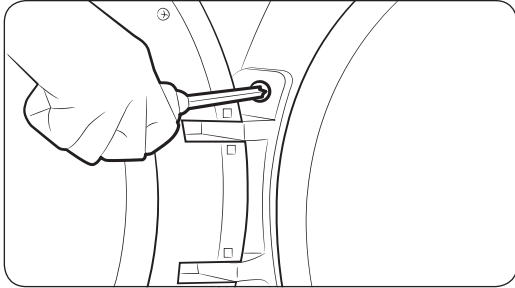
9. Remove the single screw from the back of the door hinge.

NOTE

This is the screw that supports the door against the frame so you can unscrew or screw in the hinge without needing to support the door yourself.



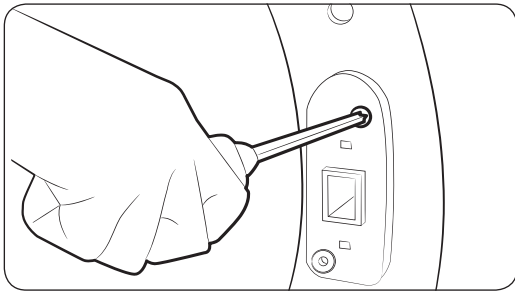
10. Insert the screw you just removed into the other screw hole on the back of the door hinge, and then tighten.



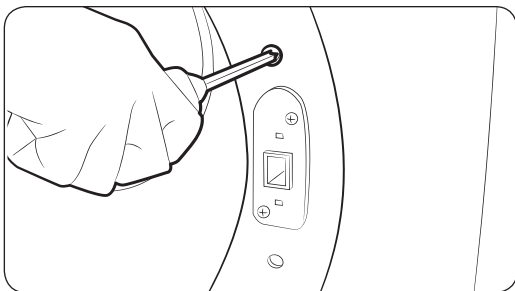
11. Place the door on the other side, and then reattach it to the dryer.

NOTE

Insert the head of the screw on the back of the hinge into the hole above the cut out in the frame, and then slide the door hinge down until it stops. Make sure the protrusion on the back of the hinge is pressed into the cut out before you tighten the hinge screws.



12. Push the lever holder into the cut out on the other side of the door opening. Insert screws, and then tighten as shown.



13. Re-attach the remaining screws to the remaining holes above and below the lever holder, and then tighten.

Before you start

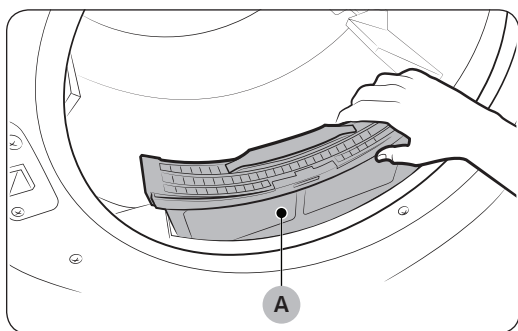
Here are a few things you should know before starting your dryer.

Sort and load

- Put one wash load in the dryer at a time.
- Do not mix heavy and lightweight items together.
- To improve drying efficiency for one or two items, add a dry towel to the load.
- For best results, untangle items before inserting them into the dryer. Tangled items may degrade the drying efficiency or cause the door to open.
- Overloading reduces the tumbling action, resulting in uneven drying and wrinkling.
- Unless recommended on the care label, do not dry woolens or fiberglass items.
- Avoid drying unwashed items.
- Do not dry items soiled with oil, alcohol, gasoline, etc.

Functional prerequisite

Lint filter



To prevent a risk of fire, make sure to clean the lint filter before or after every load.

1. Turn off the dryer.
2. Open the door and pull out the lint filter (A) from inside the drum.
3. Open the lint filter by separating it at the top. Remove the lint, and then clean the lint filter.
4. Close the lint filter, reinsert the lint filter into the dryer, and then close the dryer door.

⚠ CAUTION

- Do not operate the dryer without the lint filter in place.
- Do not use a damaged or broken lint filter. This may reduce performance and/or cause fire.

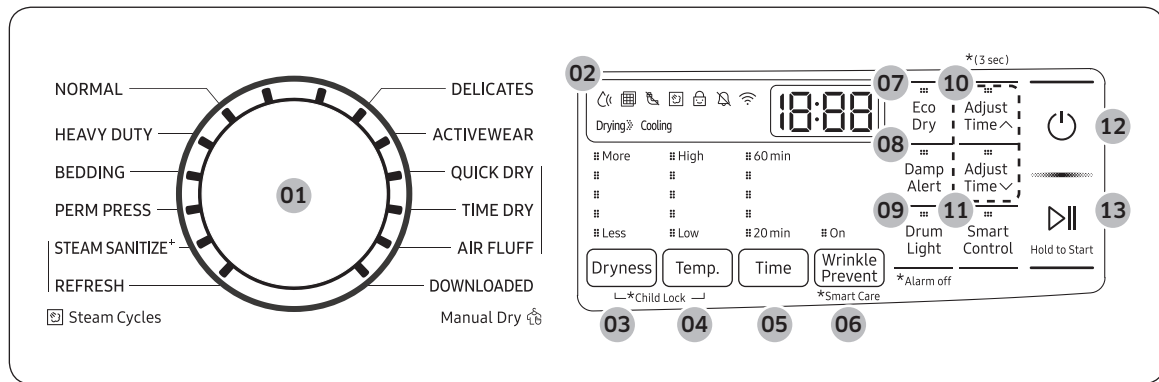
Operations

⚠ WARNING

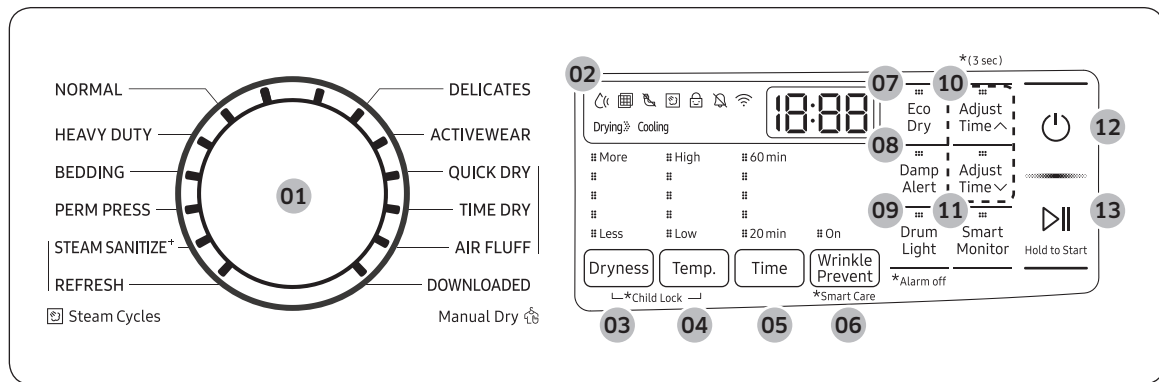
To reduce the risk of fire, electric shock, or injury, read the “Safety information” before operating this appliance.

Control panel

DVE45R6300*

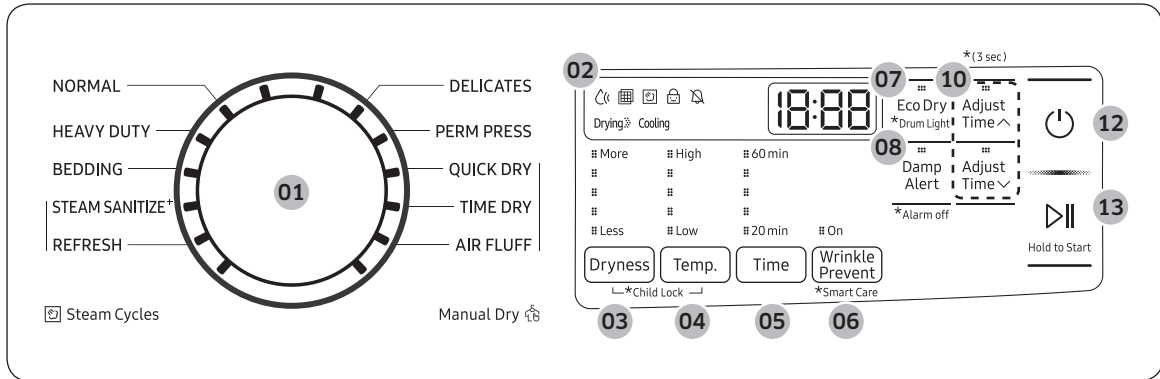


DVG45R6300*



Operations

DVE(G)45R6 100*



<p>01 Cycle Selector</p>	<p>Turn the Cycle Selector to select the desired cycle. The indicator by the cycle name lights up.</p> <ul style="list-style-type: none"> • Steam Cycles: The dryer sprays water into the drum to deodorize clothes and reduce static electricity and wrinkles. • Manual Dry: The drying time is fixed.
<p>02 Digital Graphic Display</p>	<p>Displays all cycle information, including the cycle time, information code, and operating status.</p>
<p>03 Dryness</p>	<p>Press to select a dry level. You can select from 5 different options (Less to More). Please refer to following recommendations to select the appropriate dryness.</p> <ul style="list-style-type: none"> • For larger or bulkier loads, select More for complete dryness. • For items that needs to lay flat or hang to dry, use Less to partially dry items. <p>NOTE This option is not available with REFRESH, STEAM SANITIZE+, ACTIVEWEAR, TIME DRY, QUICK DRY, and AIR FLUFF.</p>
<p>04 Temp.</p>	<p>Temperature can only be adjusted in TIME DRY cycle. Press to change the temperature of the current cycle. You can select from 5 different options (Low to High). Please select the appropriate temperature depending on the items in the load.</p> <ul style="list-style-type: none"> • High: For sturdy cottons or those labeled Tumble Dry. • Medium: For permanent press, synthetics, lightweight cottons, or items labeled Tumble Dry Medium. • Low: For heat sensitive items labeled Tumble Dry Low or Tumble Dry Warm. Provides the lowest heated drying temperature possible.

05 Time	Press Time to select a drying time for the selected cycle. This is available only with TIME DRY , QUICK DRY , and AIR FLUFF . This button is not available for Sensor Dry cycles because exact drying times are determined by fluctuating humidity levels.
06 Wrinkle Prevent	Wrinkle Prevent provides approximately 180 minutes of intermittent tumbling in unheated air at the end of the cycle to reduce wrinkling. Press Wrinkle Prevent to activate this feature. The load is dry and can be removed at any time during the Wrinkle Prevent cycle.
07 Eco Dry	This function is available with NORMAL and TIME DRY . With the Eco Dry activated, drying takes a longer time but power consumption is reduced. The drying time can be extended by up to 3 times normal depending on the temperature and load. The Eco Dry function is enabled by default.
08 Damp Alert	This alert is available for all Sensor Dry cycles except for ACTIVEWEAR . Available dry levels are Normal , More , and Extra . If a load contains mixed fabrics, the Damp Alert indicator blinks when average dryness of the items in the load is 80 % dry. This lets you take items that you don't want fully dried or that dry quickly out of the dryer early while letting others continue to dry.
09 Drum Light (DVE(G)45R6300* models only)	Press to turn the interior lamp on or off. The lamp stays lit for 2 minutes after it has turned on, regardless of whether the power is on or off or the door is open or closed, and then turns off automatically.
10 Adjust Time	You can change the set time for the selected cycle. This is available only with TIME DRY , QUICK DRY , and AIR FLUFF . To change the cycle time, press Adjust Time ^ or Adjust Time v until the desired time is displayed.
11 Smart Control (DVE45R6300* models only) / Smart Monitor (DVG45R6300* models only)	After connecting the Tumble Dryer to your home network using the SmartThings app, you can control or monitor the dryer remotely. When started, the Smart Control (Smart Monitor) indicator blinks. The dryer enters waiting mode and waits for remote commands.
12 Power	Press to turn on/turn off the dryer.

Operations

13 Start/Pause (Hold to Start)

Press and hold to start operation or press to stop operation.









NOTE

Do not take extremely tangled items from your washer and put them into the dryer. They can degrade the drying efficiency of the dryer or cause the door to open. We recommend that you untangle the items before putting them into the dryer. Also, do not put objects on the dryer, especially on the control panel.

CAUTION

Do not spray water directly onto the control panel. This may cause a system failure.

Icon description

	Sensor Dry	This icon appears when the dryer operates the cycle which senses the internal humidity to determine the drying time.
	Filter Check	This icon displays after every load as a reminder to clean the lint filter. Clean the lint filter before every cycle and make sure the filter is properly inserted before starting a cycle.
	Vent Sensor (DVE(G)45R6300* models only)	The dryer features a vent sensor that detects and notifies you when it is time to clean the ductwork. The  indicator lets you know the status of the duct.
	Steam	This icon appears when the dryer is in steam process. The dryer sprays water into the drum to deodorize clothes and reduce static electricity and wrinkles.
	Child Lock	This icon indicates that Child Lock is on. For more information on Child Lock, see page 49.
	Alarm Off	This icon indicates that the alarm is off. For more information on Alarm Off, see page 51.
	Wi-Fi (DVE(G)45R6300* models only)	This icon indicates that the dryer is connected to Wi-Fi.

Simple steps to start

1. Press **Power** to turn the dryer on.
2. Turn the **Cycle Selector** to select a cycle.
3. Change the cycle settings (**Dryness**, **Temp.**, and **Time**) as necessary.
4. Select desired options as necessary.
5. Press and hold **Start/Pause (Hold to Start)**.

To change the cycle during operation

1. Press **Start/Pause (Hold to Start)** to stop operation.
2. Select a different cycle, and repeat steps 2-4 above if necessary.
3. Press and hold **Start/Pause (Hold to Start)** again to start the new cycle.

Operations

Cycle overview

Standard Cycles

Cycle	Description
NORMAL	For most fabrics including cottons and linens. If Normal is selected, the Eco Dry function is enabled by default. For more information, see Eco Dry in the “ Control panel ” section.
HEAVY DUTY	For drying items made out of heavy fabrics, such as jeans, corduroys, or work clothes, with high temperature heat.
BEDDING	For bulky items such as blankets, sheets, and comforters.
PERM PRESS	For drying wrinkle-free cottons, synthetic fabrics, knits, and permanent press fabrics automatically.
STEAM SANITIZE⁺	Use to sanitize items by applying steam and high-temperature heat to the fabric. This cycle can make items soft and reduce smells. Confirm that the laundry load is wet or partially wet before starting this cycle.
REFRESH	Use to smooth out wrinkles and reduce odors in loads of one to four items. With this cycle selected, a small amount of water is sprayed into the dryer drum after several minutes of tumbling with heat. Before removing the laundry, confirm that the laundry load is dry.
DELICATES	For heat-sensitive items at a low drying temperature.
ACTIVEWEAR (DVE(G)45R6300* models only)	For exercise wear and outdoor wear such as sports jerseys, training pants, water-repellent jackets, and other performance clothing. Thick fabrics like a zipper or velcro closure of a jacket, or training socks may not be completely dried.
DOWNLOADED (DVE(G)45R6300* models only)	<ul style="list-style-type: none"> Select to choose from more cycles available on the SmartThings app on your smartphone. Available cycles: TOWELS, SANITIZE, SHIRTS, JEANS, WOOL, ECO NORMAL, SMALL LOAD, LOW TEMP., RACK DRY, WRINKLE AWAY Factory setting: WRINKLE AWAY

Manual Dry

You can change the drying settings manually to your preference.

Cycle	Description
QUICK DRY	A quick drying cycle that runs for 30 minutes.
TIME DRY	You can specify a cycle time in minutes. If TIME DRY is selected, the Eco Dry function is enabled by default. For more information, see Eco Dry in the “Control panel” section.
AIR FLUFF	Tumbles the load in room temperature air.

Operations

Cycle chart

NOTE

For best results, follow the load size recommendations for each dry cycle.

- Large load: Fill the drum to about 3/4 full. Do not add items over this level as they need to tumble freely.
- ◐ Medium load : Fill the drum to about 1/2 full.
- Small load : Fill the drum with 3-5 items, not more than 1/4 full.

Cycle	Recommended items	Load size	Dry level
NORMAL	Cottons, work clothes, linens, mixed loads	●	Normal dry (Adjustable)
HEAVY DUTY	Heavy fabrics such as jeans, corduroys, heavy work clothes	●	Normal dry (Adjustable)
BEDDING	Bulky items such as blankets, sheets, comforters, pillows	●	Normal dry (Adjustable)
PERM PRESS	Shirts, synthetic fabrics, knits, wrinkle-free cottons, permanent press	◐	Normal dry (Adjustable)
STEAM SANITIZE ⁺	Bedding, curtains, children's clothing	◐	Very dry (Not adjustable)
REFRESH	Shirts, trousers, comforters, pillows	○	-
DELICATES	Underwear, blouses, lingerie	◐	Normal dry (Adjustable)
ACTIVEWEAR (DVE(G)45R6300* models only)	Water-repellent wear, performance clothes, sports wear (Maximum : 4 lbs)	◐	Normal dry (Not adjustable)
QUICK DRY	Small loads	○	-
TIME DRY	Any load	●	-
AIR FLUFF	Foam,rubber, plastic	◐	-

NOTE

● : factory setting, ○ : can be selected

Cycle	Functions (Temp. Control)					Time
	High	⋮	⋮	⋮	Low	
NORMAL		●				
HEAVY DUTY	●					
BEDDING	●					
PERM PRESS			●			
STEAM SANITIZE ⁺	●					
REFRESH	●					
DELICATES					●	
ACTIVEWEAR (DVE(G)45R6300* models only)		●				
QUICK DRY	●					○
TIME DRY	●	○	○	○	○	○
AIR FLUFF						○

Cycle	Options				
	Adjust Time	Damp Alert	Eco Dry	Anti-Static	Wrinkle Prevent
NORMAL		○	○	○	○
HEAVY DUTY		○		○	○
BEDDING		○			○
PERM PRESS		○		○	○
STEAM SANITIZE ⁺					○
REFRESH					○
DELICATES		○		○	○
ACTIVEWEAR (DVE(G)45R6300* models only)					○
QUICK DRY	○				○
TIME DRY	○		○	○	○
AIR FLUFF	○				○

Operations

Drying guide

The best way to dry items is to follow the instructions on the care label. If no drying instructions are provided, see the following table for reference.

Items	Description
Bedspreads & Comforters	Follow the care label instructions or dry using Bedding. <ul style="list-style-type: none">• Make sure the item is thoroughly dry before using or storing.• May require repositioning in the drum to ensure even drying.
Blankets	Use Normal and dry only one blanket at a time for best tumbling action. <ul style="list-style-type: none">• Make sure blankets are thoroughly dry before using or storing.
Curtains & Draperies	Use PERM PRESS and the Medium temperature setting to help minimize wrinkling. <ul style="list-style-type: none">• Dry curtains and draperies in small loads for best results and remove as soon as possible after the cycle is complete.
Cloth Diapers	Use Normal and the Medium temperature setting for soft, fluffy diapers.
Down-filled Items (jackets, sleeping bags, comforters, etc.)	Use Normal and the Medium temperature setting. <ul style="list-style-type: none">• Add a couple of dry towels to absorb moisture and shorten drying time.
Foam Rubber (rug backs, stuffed toys, shoulder pads, etc.)	Do not dry on a heat setting. ⚠ WARNING Drying a rubber item with heat may damage it or cause a fire.
Pillows	Use Normal. <ul style="list-style-type: none">• Add a couple of dry towels and a pair of clean sneakers to help the tumbling action and to fluff the pillows.• Do not dry kapok or foam pillows using a heated drying cycle.
Plastics (shower curtains, outdoor furniture covers, etc.)	Use TIME DRY and the Low temperature settings depending on the care label instructions.

 **WARNING**

Do not dry:

- Fiberglass items (curtains, draperies, etc.)
- Woolens, unless recommended on the label
- Items spotted or soaked with vegetable or cooking oils

Special features

Child Lock

Child Lock prevents children from playing with the dryer. When Child Lock is activated, all buttons except for the **Power** button are disabled.

To activate/deactivate Child Lock, simultaneously press and hold **Dryness** and **Temp.** for 3 seconds.

NOTE

Once Child Lock is activated, it will remain active even after you restart the dryer. If other buttons, except for the **Power** button, do not respond, check the Child Lock indicator. If the indicator is on, follow the instructions above to turn Child Lock off.

Operations

Smart Care

To enable this function, you must first download the SmartThings app at the Play Store or the App Store and install it on a mobile device featuring a camera function. The Smart Care function has been optimized for Galaxy & iPhone series (applicable models only).

1. When the dryer detects an issue to check, an information code appears on the display. To enter Smart Care mode, press and hold **Wrinkle Prevent** for 3 seconds.
2. The dryer starts the self-diagnosis procedure and displays an information code if a problem is detected.
3. Run the SmartThings app on your mobile device, and then tap **Smart Care**.
4. Put the mobile device close to the dryer's display so that the smartphone camera and the dryer face each other. The app automatically recognizes the information code.
5. When the information code is recognized correctly, the app provides detailed information about the problem with applicable solutions.

NOTE

- The function name, Smart Care, may differ depending on the language.
- If light is reflected off the dryer's display, the app may fail to recognize the information code.
- If the app fails to recognize the information code, you can enter the code manually in the app.



Alarm off

You can turn the alarm on or off. When the alarm is off, the melody of cycle completion and the power-off beep will not sound. However, the other sounds stay active.

- For the DVE(G)45R6300* model, press and hold **Drum Light** for 3 seconds.
- For the DVE(G)45R6100* model, press and hold **Damp Alert** for 3 seconds.
- Your setting will be retained even after you turn off the dryer. You can turn the alarm back on by pressing and holding the same button for 3 seconds.

Drum Light (DVE(G)45R6100* models only)

Press and hold **Eco Dry** for 3 seconds to turn the drum light on or off.

NOTE

The lamp stays lit for 2 minutes after it has turned on, regardless of whether the power is on or off or the door is open or closed, and then turns off automatically.

DOWNLOADED cycle (DVE(G)45R6300* models only)

You can choose from more cycles available on the SmartThings app on your smartphone.

1. On your smartphone, select the **DOWNLOADED** cycle.
You can choose from TOWELS, SANITIZE, SHIRTS, JEANS, WOOL, ECO NORMAL, SMALL LOAD, LOW TEMP., RACK DRY, and WRINKLE AWAY.
2. Press **Power** on your dryer.
3. Turn the **Cycle Selector** to **DOWNLOADED**.
4. Press and hold **Start/Pause (Hold to Start)**.

Bixby (DVE(G)45R6300* models only)

With Bixby, you can easily enjoy variety of services and contents, and experience intelligent customization services. (Voice command function is supported on applicable products only. For the products that do not support the voice command, you can download and connect to the SmartThings app on any Samsung mobile devices that support voice command to use some of the products' functions through voice command.)



Operations

SmartThings (DVE(G)45R6300* models only)

Wi-Fi connection

On your smartphone, go to **Settings**, turn on the wireless connection, and then select your AP (Access Point).

- This appliance supports the Wi-Fi 2.4 GHz protocols.

Download

On an app market (Google Play Store, Apple App Store, Samsung Galaxy Apps), find the SmartThings app using the search term “SmartThings”. Download and install the app on your device.

NOTE

The app is subject to change without notice for improved performance.

Log in

You must first log into SmartThings with your Samsung account. To create a new Samsung account, follow the instructions in the app. You don't need a separate app to create your account.

NOTE

If you have a Samsung account, use the account to log in. A registered Samsung smartphone user automatically logs in.

To register your appliance to SmartThings

1. Make sure your smartphone is connected to a wireless network. If not, go to **Settings** and turn on the wireless connection, and then select your AP (Access Point).
2. Open **SmartThings** on your smartphone.
3. If the “A new device is found.” message appears, select **Add**.
4. If no message appears, select **+** and then select your appliance from the list of devices available. If your appliance is not listed, select **Device Type > Specific Device Model**, and then add your appliance manually.
5. Register your appliance to the SmartThings app.
 - a. Add your appliance to SmartThings. Make sure your appliance is connected to SmartThings.
 - b. When registration is complete, then name of your appliance appears on your smartphone.

Maintenance

Keep the dryer clean for best performance and to lengthen its life cycle.

WARNING

Certain internal parts are intentionally not grounded and may present a risk of electric shock only during servicing.

Service Personnel - Do not contact the following parts while the appliance is energized: Control board and inlet valve.

Cleaning

Control panel

- Clean with a soft, damp cloth. Do not use abrasive substances.
- Do not spray liquid cleaning agents directly onto the dryer display.
- Some laundry pre-treatment soil and stain removers may damage the control panel.
- When using liquid cleaning agents, apply them to the cleaning cloth. Do not apply them directly to the dryer. Wipe up any spills or overspray immediately.

Drum

- Remove any stains from the drum with an all-purpose cleaner.
- Tumble old towels or rags to remove any remaining stains or cleaning substances. Stains may still be visible, but will not affect subsequent loads.

Powder coated drum

To clean the powder coated drum, use a damp cloth with a mild, non-abrasive cleaner suitable for easily marred surfaces. Remove cleaner residue and dry with a clean cloth.

Dryer exterior

- Clean with a soft, damp cloth. Do not use abrasive substances.
- Protect the surface from sharp objects.
- Do not place any heavy or sharp objects or a detergent container on the dryer. They can scratch or damage the top cover of the dryer.
- The dryer has a high-gloss finish on the entire surface. Be careful not to scratch or damage the surface.

Exhaust system

- Check and clean the exhaust system on a regular basis to maintain optimum performance.
- The external exhaust hood must be cleaned frequently to ensure proper air flow.

Troubleshooting

Checkpoints

If the dryer operates abnormally, first check the list of problems in the table below and try the suggested actions.

Problem	Action
Does not run.	<ul style="list-style-type: none">• Make sure the door is latched shut.• Make sure the power cord is plugged into a live electrical outlet.• Check your home's circuit breakers or fuses.• Press or tap Start/Pause (Hold to Start) again if the door was opened during a cycle.• Clean the lint filter.
Does not heat.	<ul style="list-style-type: none">• Check your home's circuit breakers or fuses.• Some cycles do not require heat. Check the selected cycle again.• For a gas dryer, make sure the gas supply is on.• Clean the lint filter and exhaust duct.• The dryer may have moved into the cool-down phase of the cycle.• Turn off the Eco Dry option for the NORMAL or TIME DRY cycles. When the Eco Dry option is on, the dryer performs an air dry process in the beginning of the cycle to reduce energy consumption. The air dry process does not use heated air, so you may feel that the dryer is not being heated, but this is normal.

Problem	Action
Does not dry.	<ul style="list-style-type: none"> • Check all of the above, plus... • Make sure the exhaust hood outside your home can open and close freely. • Check the exhaust system for lint buildup. Ducting should be inspected and cleaned annually. • Use a 4" rigid metal exhaust duct. • Do not overload. 1 wash load = 1 dryer load. • Dry heavy items and light weight items separately. • Large, bulky items, such as blankets or comforters, may require repositioning to ensure even drying. • Make sure that your washer is draining properly and extracting adequate water from the load. • The load may be too small to tumble properly. Add a few towels and restart the dryer. • The load may be too large to tumble properly. Remove some items and restart the dryer. • Clean the lint filter.
Is noisy.	<ul style="list-style-type: none"> • Check the load for objects such as coins, loose buttons, nails, etc. Remove promptly. • It is normal to hear the dryer gas valve or heating element cycle on and off during the drying cycle. • Make sure the dryer is leveled properly as outlined in the installation instructions. • It is normal for the dryer to hum due to the high velocity of air moving through the dryer drum, fan, or exhaust system.
Dries unevenly.	<ul style="list-style-type: none"> • Seams, pockets, and other similarly heavy areas may not be completely dry when the rest of the load has reached the selected dryness level. This is normal. You can choose a higher dryness level or a cycle that involves a higher dryness level. • If one heavy item is dried with a light weight load, such as one towel with sheets, it is possible that the heavy item will not be completely dry when the rest of the load has reached the selected dryness level. • For the best drying results, dry heavy items and light weight items separately.

Troubleshooting

Problem	Action
Has odors.	<ul style="list-style-type: none"> Household odors from paint, varnish, strong cleaners, etc. may enter the dryer with the surrounding room air. This is normal as the dryer draws the air from the room, heats it, pulls it through the tumbler, and exhausts it outside. When these odors linger in the air, completely ventilate the room before using the dryer. Use the REFRESH cycle. If odors persist, wash and dry the items again.
Lint on clothes.	<ul style="list-style-type: none"> Make sure the lint filter is cleaned before every load. For clothes that naturally build up lint, clean the filter during the cycle. Some fabrics are lint producers (for example, a fuzzy white cotton towel) and they must be dried separately from clothes that are lint trappers (for example, a pair of black linen pants). Divide larger loads into smaller loads for drying. Check pockets thoroughly before drying, then dry clothes. Remove lint inside the drum before drying a load.
Items still wrinkled after Wrinkle Prevent (Wrinkle Away, Wrinkle Release).	<ul style="list-style-type: none"> Small loads of 1 to 4 items work best. Load fewer items. Load similar-type items. Take out the items immediately after drying is complete.
Water drips from the nozzle when the Steam cycles starts.	<ul style="list-style-type: none"> This is steam condensation. The dripping water will stop after a short time.
Sprayed water is not visible during Steam cycles.	<ul style="list-style-type: none"> Sprayed water is difficult to see when the door is closed.
Extended time.	<ul style="list-style-type: none"> Sensor Dry automatically senses the moisture in the load and shuts the dryer off when the selected dryness level is reached. The drying time can change according to the type and amount of laundry. See the cycle chart for reference.

If a problem persists, contact a local Samsung service center.

Information codes

If the dryer fails to operate, you may see an information code on the display panel. To determine what you should do, check the list of codes in the table below, and then try the suggested actions.

Code	Action
dC	Operating the dryer with the door open. <ul style="list-style-type: none">• Make sure the door is properly closed.• Make sure laundry is not caught in the door.
FC	Invalid power source frequency. <ul style="list-style-type: none">• Try restarting the cycle.• If this information code remains, contact a Samsung service center.
AC	Electronic control problem (Invalid Communication). <ul style="list-style-type: none">• Contact a Samsung service center.
HC	High temperature heating check. <ul style="list-style-type: none">• Clean the lint filter.• If this information code remains, contact a Samsung service center.
9C1	The electronic control needs to be checked. <ul style="list-style-type: none">• Check if power is supplied properly.• If the information code remains, contact a Samsung service center.
tC	The Thermistor1 resistance is very low or high. <ul style="list-style-type: none">• Check for a clogged lint screen.• Check if the vent system is restricted.• If this information code remains, contact a Samsung service center.
tC5	The Thermistor2 resistance is very low or high. <ul style="list-style-type: none">• Check for a clogged lint screen.• Check if the vent system is restricted.• If this information code remains, contact a Samsung service center.
dF	Incorrect door switch. <ul style="list-style-type: none">• Contact a Samsung service center.

If any information code keeps appearing on the display, contact a Samsung service center.

Specifications

Fabric care chart

The following symbols provide garment care direction. The clothing care labels include symbols for drying, bleaching, ironing, and dry cleaning. The use of symbols ensures consistency among garment manufacturers of domestic and imported items. Follow care label directions to optimize garment life and reduce laundering problems.

Wash cycle

	Normal
	Permanent press/Wrinkle resistant/Wrinkle control
	Gentle/Delicates
	Hand wash

Water temperature

...	Hot
..	Warm
.	Cold

NOTE

The Water Temperature table lists appropriate wash water temperatures for various items. The temperature range is 106-126 °F (41-52 °C) for Hot, 84-106 °F (29-41 °C) for Warm, and 61-84 °F (16-29 °C) for Cold. (Wash water temperature must be a minimum of 61 °F (16 °C) for detergent activation and effective cleaning.)

Bleach

	Any bleach (when needed)
	Only non-chlorine (color-safe) bleach (when needed)
	Tumble dry

Normal

	Permanent press/Wrinkle resistant/Wrinkle control
	Gentle/Delicates

Special instructions

	Line dry/Hang to dry
	Drip dry
	Dry flat







Heat setting

	High
	Medium
	Low
	Any heat
	No heat / Air






Iron dry or steam temperatures

	High
	Medium
	Low

Warning symbols for laundering

	Do not wash
	Do not wring
	Do not bleach
	Do not tumble dry
	No steam (added to iron)
	Do not iron

Dry-clean

	Dry-clean
	Do not dry-clean
	Line dry / Hang to dry
	Drip dry
	Dry flat

Protecting the environment

This appliance is manufactured from recyclable materials. If you decide to dispose of this appliance, please observe local waste disposal regulations. Cut off the power cord so that the appliance cannot be connected to a power source. Remove the door so that animals and small children cannot get trapped inside the appliance.

Specifications

Specification sheet

Type		Front loading dryer
Capacity (Cu.ft)		7.5
Water pressure (psi (kPa))		20-116 (137-800)
Weight	lb (kg)	123.5 (56.0)
Heater rating	Electric (W)	5300
	Gas (BTU/hr)	20000
Power consumption (W)		5400

LIMITED WARRANTY (U.S.A.)

SAMSUNG DRYER

LIMITED WARRANTY TO ORIGINAL CONSUMER PURCHASER WITH PROOF OF PURCHASE

This SAMSUNG brand product, as supplied and distributed by SAMSUNG ELECTRONICS AMERICA, INC. (SAMSUNG) and delivered new, in the original carton to the original consumer purchaser, is warranted by SAMSUNG against manufacturing defects in materials or workmanship for the limited warranty period, starting from the date of original purchase, of:

One (1) Year All Parts and Labor

This limited warranty is valid only on products purchased and used in the United States that have been installed, operated, and maintained according to the instructions attached to or furnished with the product. To receive warranty service, the purchaser must contact SAMSUNG at the address or phone number provided below for problem determination and service procedures. Warranty service can only be performed by a SAMSUNG authorized service center. The original dated bill of sale must be presented upon request as proof of purchase to SAMSUNG or SAMSUNG's authorized service center to receive warranty service.

SAMSUNG will provide in-home service within the contiguous United States during the warranty period at no charge, subject to availability of SAMSUNG authorized servicers within the customer's geographic area. If in-home service is not available, SAMSUNG may elect, at its option, to provide transportation of the product to and from an authorized service center. If the product is located in an area where service by a SAMSUNG authorized servicer is not available, you may be responsible for a trip charge or required to bring the product to a SAMSUNG authorized service center for service.

To receive in-home service, product must be unobstructed and accessible to the service agent.

During the applicable warranty period, a product will be repaired, replaced, or the purchase price refunded, at the sole option of SAMSUNG. SAMSUNG may use new or reconditioned parts in repairing a product, or replace the product with a new or reconditioned product. Replacement parts and products are warranted for the remaining portion of the original product's warranty or ninety (90) days, whichever is longer. All replaced parts and products are the property of SAMSUNG and you must return them to SAMSUNG.

LIMITED WARRANTY (U.S.A.)

This limited warranty covers manufacturing defects in materials or workmanship encountered in normal household, noncommercial use of this product and shall not cover the following: damage that occurs in shipment, delivery, installation, and uses for which this product was not intended; damage caused by unauthorized modification or alteration of the product; product where the original factory serial numbers have been removed, defaced, changed in any way, or cannot be readily determined; cosmetic damage including scratches, dents, chips, and other damage to the product's finishes; damage caused by abuse, misuse, pest infestations, accident, fire, floods, or other acts of nature or God; damage caused by use of equipment, utilities, services, parts, supplies, accessories, applications, installations, repairs, external wiring or connectors not supplied or authorized by SAMSUNG; damage caused by incorrect electrical line current, voltage, fluctuations and surges; damage caused by failure to operate and maintain the product according to instructions; in-home instruction on how to use your product; and service to correct installation not in accordance with electrical or plumbing codes or correction of household electrical or plumbing (i.e., house wiring, fuses, or water inlet hoses). The cost of repair or replacement under these excluded circumstances shall be the customer's responsibility.

Visits by an authorized servicer to explain product functions, maintenance or installation are not covered by this limited warranty. Please contact SAMSUNG at the number below for assistance with any of these issues.

EXCLUSION OF IMPLIED WARRANTIES

IMPLIED WARRANTIES, INCLUDING THE IMPLIED WARRANTIES OF MERCHANTABILITY OR FITNESS FOR A PARTICULAR PURPOSE, ARE LIMITED TO ONE YEAR OR THE SHORTEST PERIOD ALLOWED BY LAW. Some states do not allow limitations on how long an implied warranty lasts, so the above limitations or exclusions may not apply to you. This warranty gives you specific rights, and you may also have other rights, which vary from state to state.

LIMITATION OF REMEDIES

YOUR SOLE AND EXCLUSIVE REMEDY IS PRODUCT REPAIR, PRODUCT REPLACEMENT, OR REFUND OF THE PURCHASE PRICE AT SAMSUNG'S OPTION, AS PROVIDED IN THIS LIMITED WARRANTY. SAMSUNG SHALL NOT BE LIABLE FOR SPECIAL, INCIDENTAL OR CONSEQUENTIAL DAMAGES, INCLUDING BUT NOT LIMITED TO TIME AWAY FROM WORK, HOTELS AND/OR RESTAURANT MEALS, REMODELING EXPENSES, LOSS OF REVENUE OR PROFITS, FAILURE TO REALIZE SAVINGS OR OTHER BENEFITS REGARDLESS OF THE LEGAL THEORY ON WHICH THE CLAIM IS BASED, AND EVEN IF SAMSUNG HAS BEEN ADVISED OF THE POSSIBILITY OF SUCH DAMAGES. Some states do not allow exclusion or limitation of incidental or consequential damages, so the above limitations or exclusions may not apply to you. This warranty gives you specific rights, and you may also have other rights, which vary from state to state.

SAMSUNG does not warrant uninterrupted or error-free operation of the product. No warranty or guarantee given by any other person, firm, or corporation with respect to this product shall be binding on SAMSUNG.

To obtain warranty service, please contact SAMSUNG at:

Samsung Electronics America, Inc.

85 Challenger Road

Ridgefield Park, NJ 07660

1-800-SAMSUNG (726-7864)

www.samsung.com/us/support

Warranty (CANADA)

SAMSUNG DRYER

LIMITED WARRANTY TO ORIGINAL PURCHASER

This SAMSUNG brand product, as supplied and distributed by SAMSUNG ELECTRONICS CANADA, INC. (SAMSUNG) and delivered new, in the original carton to the original consumer purchaser, is warranted by SAMSUNG against manufacturing defects in materials and workmanship for a limited warranty period of:

- One (1) year part and labor

This limited warranty begins on the original date of purchase, and is valid only on products purchased and used in the Canada.

To receive warranty service, the purchaser must contact SAMSUNG for problem determination and service procedures.

Warranty service can only be performed by a SAMSUNG authorized service center.

The original dated bill of sale must be presented upon request as proof of purchase to SAMSUNG or SAMSUNG's authorized service center.

SAMSUNG will provide in-home service during the warranty period at no charge, subject to availability within the Canada.

In-home service is not available in all areas.

To receive in-home service, product must be unobstructed and accessible to the service agent.

If service is not available, SAMSUNG may elect to provide transportation of the product to and from an authorized service center.

SAMSUNG will repair, replace, or refund this product at our option and at no charge as stipulated herein, with new or reconditioned parts or products if found to be defective during the limited warranty period specified above.

All replaced parts and products become the property of SAMSUNG and must be returned to SAMSUNG.

Replacement parts and products assume the remaining original warranty, or ninety (90) days, whichever is longer.

This limited warranty covers manufacturing defects in materials and workmanship encountered in normal, noncommercial use of this product and shall not apply to the following: damage that occurs in shipment; delivery and installation; applications and uses for which this product was not intended; altered product or serial numbers; cosmetic damage or exterior finish; accidents, abuse, neglect, fire, water, lightning, or other acts of nature or God; use of products, equipment, systems, utilities, services, parts, supplies, accessories, applications, installations, repairs, external wiring or connectors not supplied or authorized by SAMSUNG that damage this product or result in service problems; incorrect electrical line voltage, fluctuations and surges; customer adjustments and failure to follow operating instructions, maintenance and environmental instructions that are covered and prescribed in the instruction book; product removal and reinstallation; problems caused by pest infestations.

This limited warranty does not cover problems resulting from incorrect electric current, voltage or supply, light bulbs, house fuses, house wiring, cost of a service call for instructions, or fixing installation errors.

SAMSUNG does not warrant uninterrupted or error-free operation of the product.

EXCEPT AS SET FORTH HEREIN, THERE ARE NO WARRANTIES ON THIS PRODUCT EITHER EXPRESS OR IMPLIED, AND SAMSUNG DISCLAIMS ALL WARRANTIES INCLUDING, BUT NOT LIMITED TO, ANY IMPLIED WARRANTIES OF MERCHANTABILITY, INFRINGEMENT OR FITNESS FOR A PARTICULAR PURPOSE.

NO WARRANTY OR GUARANTEE GIVEN BY ANY PERSON, FIRM, OR CORPORATION WITH RESPECT TO THIS PRODUCT SHALL BE BINDING ON SAMSUNG.

SAMSUNG SHALL NOT BE LIABLE FOR LOSS OF REVENUE OR PROFITS, FAILURE TO REALIZE SAVINGS OR OTHER BENEFITS, OR ANY OTHER SPECIAL, INCIDENTAL OR CONSEQUENTIAL DAMAGES CAUSED BY THE USE, MISUSE, OR INABILITY TO USE THIS PRODUCT, REGARDLESS OF THE LEGAL THEORY ON WHICH THE CLAIM IS BASED, AND EVEN IF SAMSUNG HAS BEEN ADVISED OF THE POSSIBILITY OF SUCH DAMAGES.

NOR SHALL RECOVERY OF ANY KIND AGAINST SAMSUNG BE GREATER IN AMOUNT THAN THE PURCHASE PRICE OF THE PRODUCT SOLD BY SAMSUNG AND CAUSING THE ALLEGED DAMAGE.

WITHOUT LIMITING THE FOREGOING, PURCHASER ASSUMES ALL RISK AND LIABILITY FOR LOSS, DAMAGE, OR INJURY TO PURCHASER AND PURCHASER'S PROPERTY AND TO OTHERS AND THEIR PROPERTY ARISING OUT OF THE USE, MISUSE, OR INABILITY TO USE THIS PRODUCT.

THIS LIMITED WARRANTY SHALL NOT EXTEND TO ANYONE OTHER THAN THE ORIGINAL PURCHASER OF THIS PRODUCT, IS NONTRANSFERABLE AND STATES YOUR EXCLUSIVE REMEDY.

Warranty (CANADA)

Some provinces do not allow limitations on how long an implied warranty lasts, or the exclusion or limitation of incidental or consequential damages, so the above limitations or exclusions may not apply to you.

This warranty gives you specific rights, and you may also have other rights, which vary from province to province.

To obtain warranty service, please contact SAMSUNG at:

Samsung Electronics Canada Inc.

2050 Derry Road West,

Mississauga, Ontario L5N 0B9 Canada

1-800-SAMSUNG (726-7864)

www.samsung.com/ca/support (English)

www.samsung.com/ca_fr/support (French)

Visits by a Service Engineer to explain functions, maintenance, or installation is not covered by warranty.

Please contact the Samsung call center at the number above for help with any of these issues.

Memo





Scan the QR code* or visit
www.samsung.com/spsn
to view our helpful
How-to Videos and Live Shows

*Requires reader to be installed on your smartphone

Scan this with your smartphone

QUESTIONS OR COMMENTS?

COUNTRY	CALL	OR VISIT US ONLINE AT
U.S.A	1-800-SAMSUNG (726-7864)	www.samsung.com/us/support
CANADA	1-800-SAMSUNG(726-7864)	www.samsung.com/ca/support (English) www.samsung.com/ca_fr/support (French)

Energy Star only applies to DVE(G)45R6300* model.



DC68-03381T-06



Sèche-linge

Manuel d'utilisation

DVE(G)45R6300*/DVE(G)45R6100*

SAMSUNG

Sommaire

Consignes de sécurité	4
Remarques importantes sur les consignes de sécurité	4
Symboles de sécurité importants	4
AVERTISSEMENT RELATIF À LA PROPOSITION 65 DE LA CALIFORNIE	5
Consignes de sécurité importantes	5
Avertissements	8
Mises en garde	8
Notification de réglementation	10
Avis concernant la FCC	10
Notification IC	11
Déclaration de logiciel open source	12
Conditions d'installation	13
Conditions d'installation principales	13
Choix de l'emplacement d'installation	13
Conditions requises en matière de conduits	18
Conditions requises en matière d'évacuation	19
Systèmes fonctionnant au gaz	20
Normes électriques	21
Installation	24
Ce qui est inclus	24
Installation étape par étape	26
Test de blocage de l'aération	33
Guide d'installation du conduit d'évacuation	34
Inversion du hublot	35
Avant de démarrer	38
Tri et charge	38
Conditions de fonctionnement préalables	38

Opérations	39
Panneau de commande	39
Étapes simples pour commencer	44
Présentation des cycles	45
Tableau des cycles	47
Guide de séchage	49
Fonctions spéciales	50
Bixby (modèles DVE(G)45R6300* uniquement)	52
SmartThings (modèles DVE(G)45R6300* uniquement)	53
Maintenance	54
Nettoyage	54
Dépannage	55
Contrôles à effectuer	55
Codes d'erreur	59
Caractéristiques techniques	60
Tableau des symboles textiles	60
Protection de l'environnement	61
Fiche de spécifications	62



Consignes de sécurité

Félicitations pour l'achat de votre nouveau sèche-linge Samsung. Ce manuel contient de précieuses informations concernant l'installation, l'utilisation et l'entretien de votre appareil. Prenez le temps de le lire pour tirer pleinement profit de tous les avantages et de toutes les fonctionnalités de votre sèche-linge.

Remarques importantes sur les consignes de sécurité

Veuillez lire attentivement ce manuel afin d'utiliser cet appareil en toute sécurité et de profiter pleinement de toutes ses fonctionnalités. Conservez ce manuel dans un endroit sûr situé à proximité de l'appareil afin de pouvoir facilement vous y reporter en cas de besoin. N'utilisez pas cet appareil autrement que pour l'usage auquel il est destiné, conformément aux consignes du manuel.

Les consignes de sécurité et les avertissements décrits dans ce manuel ne sont pas exhaustifs. Il est de votre responsabilité de faire preuve de bon sens, de prudence et de discernement lors de l'installation, de l'entretien ou de l'utilisation de votre sèche-linge.

Ces consignes d'utilisation couvrant plusieurs modèles, il se peut que les caractéristiques de votre sèche-linge diffèrent légèrement de celles décrites dans ce manuel ; ainsi, certaines icônes d'avertissement peuvent ne pas s'appliquer à votre machine. Pour toute question, contactez votre centre de réparation le plus proche ou connectez-vous sur www.samsung.com.

Symboles de sécurité importants

Signification des icônes et signes repris dans ce manuel d'utilisation :

AVERTISSEMENT

Risques ou pratiques inadaptées susceptibles de causer des blessures graves, la mort et/ou des dommages matériels.

ATTENTION

Risques ou pratiques inadaptées susceptibles de causer des blessures et/ou des dommages matériels.

REMARQUE

Indique qu'il existe un risque de blessures ou de dommages matériels.

CONSERVEZ SOIGNEUSEMENT CES CONSIGNES



Ces symboles d'avertissement ont pour but d'éviter tout risque de blessure corporelle.

Respectez-les en toutes circonstances.

Lisez attentivement ce manuel et conservez-le en lieu sûr afin de pouvoir le consulter ultérieurement.

Lisez attentivement toutes les consignes avant d'utiliser l'appareil.

Comme avec tout équipement électrique ou comportant des parties mobiles, il existe un certain nombre de dangers potentiels. Pour utiliser cet appareil en toute sécurité, familiarisez-vous avec son fonctionnement et restez prudent lorsque vous l'employez.

AVERTISSEMENT - Risque d'incendie

- L'installation du sèche-linge doit être effectuée par un technicien qualifié.
- L'installation du sèche-linge doit se faire conformément aux instructions du fabricant et aux réglementations locales.
- N'équipez jamais un sèche-linge de conduits de ventilation en plastique flexible. Si vous utilisez un conduit en métal flexible (de type aluminium), celui-ci doit être conforme aux spécifications du fabricant et adapté à une utilisation sur sèche-linge. Les matériaux flexibles utilisés dans les systèmes d'évacuation de l'air ont tendance à se plier, à s'écraser et à retenir les peluches de tissu. Ces conditions empêchent une évacuation adéquate de l'air et augmentent les risques d'incendie.
- Pour réduire les risques de blessure grave ou de décès, observez attentivement les consignes d'installation.
- Conservez soigneusement ces instructions.

AVERTISSEMENT RELATIF À LA PROPOSITION 65 DE LA CALIFORNIE

AVERTISSEMENT

Cancer et effets nocifs sur la reproduction - www.P65Warnings.ca.gov.

Consignes de sécurité importantes

AVERTISSEMENT

Afin de réduire les risques d'incendie, d'électrocution ou de blessures physiques lors de l'utilisation de l'appareil, des précautions de base doivent être prises :

1. Lisez toutes les consignes de sécurité avant d'utiliser l'appareil.
2. Ne faites pas sécher de linge ayant été en contact par nettoyage, lavage ou trempage avec de l'essence, des solvants de nettoyage à sec ou tout autre substance inflammable ou explosive ; ces produits dégagent en effet des vapeurs qui risqueraient de s'enflammer ou d'exploser.

CONSERVEZ SOIGNEUSEMENT CES CONSIGNES



Consignes de sécurité

3. N'utilisez pas le sèche-linge pour faire sécher des vêtements comportant des traces de substances inflammables telles que de l'huile végétale, de l'huile de cuisson, de l'huile de machine, des produits chimiques inflammables, des diluants, etc. ou des objets comportant des traces de cire ou de produits chimiques. Ils risqueraient de prendre feu.
4. N'entreposez ni n'utilisez jamais d'essence ou d'autres produits inflammables à proximité de cet appareil ou de tout autre appareil.
5. Ne laissez pas les enfants jouer sur ou dans l'appareil. Une surveillance attentive s'impose lorsque l'appareil est utilisé à proximité d'enfants.
6. Avant la mise hors service ou au rebut de l'appareil, retirez le hublot du tambour.
7. Ne tentez pas d'ouvrir l'appareil lorsque le tambour est en mouvement.
8. N'installez et n'entreposez jamais cet appareil dans un endroit exposé aux intempéries.
9. N'utilisez pas les commandes internes du sèche-linge inutilement.
10. Ne procédez pas à la réparation ou au remplacement des pièces de l'appareil et ne tentez pas non plus de le réparer vous-même, sauf si le manuel d'entretien ou de réparation contient des recommandations spécifiques en la matière que vous comprenez et êtes en mesure d'exécuter.
11. N'utilisez aucun adoucissant ou produit anti-statique autre que ceux recommandés par le fabricant du produit ou de l'appareil.
12. Nettoyez le filtre avant ou après chaque utilisation.
13. Ne sélectionnez pas une température élevée pour faire sécher des articles contenant du caoutchouc mousse ou des matériaux dont la texture est similaire à celle du caoutchouc.
14. Évitez toute accumulation de peluches, poussières et saletés à proximité de l'orifice d'évacuation.
15. L'intérieur de l'appareil et du conduit d'évacuation doit être nettoyé régulièrement, par un technicien de maintenance qualifié.
16. Ne faites pas sécher du linge ayant été en contact avec de l'huile de cuisson. Il risquerait de s'enflammer. Pour réduire le risque d'incendie dû à du linge contaminé, la phase finale d'un cycle du sèche-linge se fait sans chaleur (période de refroidissement). Évitez d'arrêter un sèche-linge avant la fin de son cycle de séchage, sauf si vous sortez et étendez immédiatement le linge afin que la chaleur se dissipe.
17. Cet appareil doit être mis à la terre. Reportez-vous aux chapitres « Normes électriques » et « Mise à la terre » dans la section « Installation ».
18. Ne laissez pas les enfants jouer sur ou dans l'appareil. Une surveillance attentive s'impose lorsque l'appareil est utilisé à proximité d'enfants.
19. N'insérez pas votre main sous le sèche-linge.
 - Cela pourrait entraîner des blessures.
20. Veillez à ce que les doigts des enfants ne soient pas pris dans le hublot en le fermant.
 - Cela pourrait entraîner des blessures.

CONSERVEZ SOIGNEUSEMENT CES CONSIGNES



21. La mise à la terre du panneau de commande et de la vanne d'arrivée d'eau n'a volontairement pas été effectuée ; ces éléments peuvent donc présenter un risque d'électrocution (lors de l'entretien uniquement).
- Ne touchez pas ces pièces lorsque l'appareil est sous tension.

⚠ AVERTISSEMENT - Pour réduire le risque d'incendie ou d'explosion :

- Ne faites sécher aucun article ayant été précédemment en contact par nettoyage, lavage ou trempage avec de l'essence, des solvants de nettoyage à sec ou toute autre substance inflammable ou explosive. En effet, ceux-ci diffusent des vapeurs pouvant s'enflammer ou exploser. Ne placez aucun article entré en contact avec un solvant ou des matières solides ou liquides inflammables dans le sèche-linge, tant que toute trace de ces produits n'a pas été éliminée. De nombreux produits inflammables sont utilisés dans l'environnement domestique comme l'acétone, l'alcool dénaturé, l'essence, le kérosène, certains nettoyants ménagers sous forme liquide, certains détachants, la térébenthine, les cires et les produits décapants.
- Ne faites jamais sécher à chaud les articles à base de caoutchouc mousse (également appelé mousse de latex) ou de matériaux dont la texture ressemble à celle du caoutchouc. En effet, les matières en caoutchouc mousse peuvent, dans certaines circonstances, s'enflammer spontanément.

⚠ AVERTISSEMENT - Que faire en cas d'émanation de gaz :

- Ne tentez pas d'allumer un appareil électrique.
- Ne mettez pas l'appareil sous tension.
- Ne touchez à aucun interrupteur électrique.
- N'utilisez aucun téléphone dans le bâtiment.
- Faites évacuer tous les occupants de la pièce, du bâtiment ou du secteur.
- Appelez immédiatement votre fournisseur de gaz depuis le téléphone d'un voisin. Suivez les consignes que vous recevrez.
- Si vous ne pouvez pas joindre votre fournisseur de gaz, appelez les pompiers.
- L'installation et l'entretien doivent être effectués par un installateur qualifié, un réparateur agréé ou votre fournisseur de gaz.

CONSERVEZ SOIGNEUSEMENT CES CONSIGNES

Consignes de sécurité

Avertissements

AVERTISSEMENT

- Vérifiez que les poches sont vides. Les petits objets aux bords irréguliers (pièces de monnaie, canifs, épingles, etc.) risquent en effet d'endommager votre sèche-linge.
- Des fuites de gaz dangereuses pourraient survenir dans votre système.

Mises en garde

ATTENTION

- Ne laissez ni les enfants ni les animaux domestiques jouer sur, dans ou devant l'appareil. Une surveillance attentive s'impose lorsque l'appareil est utilisé à proximité d'enfants ou d'animaux domestiques.
- Avant de mettre au rebut ou hors service votre sèche-linge, retirez le hublot du compartiment de séchage pour éviter que des enfants ou des animaux ne se trouvent piégés à l'intérieur de l'appareil.
- N'ouvrez pas le sèche-linge lorsque le tambour est en mouvement.
- N'installez et n'entrez jamais cet appareil dans un endroit exposé aux intempéries.
- N'utilisez pas les commandes du sèche-linge inutilement.
- Ne procédez pas à la réparation, au remplacement ou à l'entretien des pièces de l'appareil sauf si le manuel d'entretien contient des recommandations spécifiques en la matière, si vous comprenez ces recommandations et si vous disposez des compétences requises pour réaliser l'opération.
- N'utilisez aucun adoucissant ou produit anti-statique autre que ceux recommandés par le fabricant.
- Nettoyez le filtre avant ou après chaque utilisation.
- Évitez toute accumulation de peluches, poussières et saletés à proximité de l'orifice d'évacuation.
- L'intérieur du sèche-linge et du conduit d'évacuation doit être nettoyé régulièrement, par un technicien de maintenance qualifié.
- Cet appareil doit être correctement mis à la terre. Ne branchez jamais le cordon d'alimentation sur une prise qui n'est pas correctement reliée à la terre ou qui n'est pas conforme aux réglementations locales et nationales en vigueur. Consultez les consignes d'installation pour relier cet appareil à la terre.
- Ne vous asseyez pas sur le sèche-linge.
- Évitez de faire sécher des vêtements comportant de grandes boucles, des boutons ou d'autres accessoires en métal lourd.
- Une fuite de gaz n'est pas toujours détectable à l'odeur.
- C'est pourquoi les fournisseurs de gaz vous recommandent d'acheter et d'installer un détecteur de gaz conforme à la réglementation UL.
- Installez-le et utilisez-le conformément aux consignes du fabricant.
- N'introduisez aucun article imprégné ou taché d'huile végétale ou alimentaire dans votre sèche-linge. Même une fois lavés, ces articles peuvent encore contenir une quantité non négligeable d'huile.

CONSERVEZ SOIGNEUSEMENT CES CONSIGNES

- Toute huile résiduelle sur les vêtements risque de s'enflammer spontanément. Le potentiel de combustion spontanée augmente lorsque les articles imbibés d'huile végétale ou alimentaire sont exposés à la chaleur. Les sources de chaleur comme votre sèche-linge peuvent chauffer ces articles, engendrant une oxydation de l'huile. Cette oxydation crée elle-même de la chaleur. Si cette chaleur ne se dissipe pas, les articles deviennent suffisamment brûlants pour s'enflammer. Entasser, empiler ou stocker ce type d'articles peut empêcher la dissipation de la chaleur et être à l'origine d'un risque d'incendie.
- Tout le linge imbibé d'huile végétale ou alimentaire, qu'il soit lavé ou non, peut s'avérer dangereux. Le fait de laver ces articles à l'eau chaude avec une dose supplémentaire de lessive réduit ce risque, sans pour autant le supprimer. Utilisez toujours le cycle Cool Down (Refroidissement), afin de réduire leur température. Ne retirez jamais ces articles du sèche-linge lorsqu'ils sont chauds ; de même, n'interrompez pas le cycle de séchage tant que le cycle Cool Down (Refroidissement) n'est pas terminé. N'entassez et n'empilez pas ces articles lorsqu'ils sont chauds.

CONSERVEZ SOIGNEUSEMENT CES CONSIGNES



Notification de réglementation

Avis concernant la FCC

ATTENTION

Tous les changements ou modifications non expressément approuvé(e)s par l'autorité responsable de la conformité à la réglementation peut annuler le droit de l'utilisateur à utiliser cet appareil.

Cet appareil est conforme aux dispositions de la section 15 du règlement de la FCC. Le fonctionnement est soumis aux deux conditions suivantes :

1. Cet appareil ne doit pas causer d'interférences nuisibles ; et
2. Cet appareil doit accepter toute autre interférence reçue, y compris les interférences pouvant entraîner un fonctionnement non désiré.

Pour les produits vendus aux États-Unis et au Canada, seuls les canaux 1 à 11 sont disponibles. Vous ne pouvez pas sélectionner d'autres canaux.

DÉCLARATION DE LA FCC :

Cet équipement a été testé et s'est avéré conforme aux limites d'un dispositif numérique de classe B, conformément à la section 15 du règlement de la FCC. Ces limites sont conçues pour assurer la protection raisonnable contre des interférences nuisibles dans une installation résidentielle.

Cet appareil génère, utilise et peut émettre de l'énergie radio électrique et, s'il n'est pas installé et utilisé conformément aux instructions, peut provoquer des interférences nuisibles aux communications par signal radio. Cependant, il n'y a aucune garantie que des interférences ne se produiront pas dans une installation particulière. Si cet appareil cause des interférences nuisibles à la réception des signaux de radio ou de télévision, ce qui peut être déterminé en allumant et en éteignant l'appareil, l'utilisateur est encouragé à essayer de corriger l'interférence par une ou plusieurs des mesures suivantes :

- Réorienter ou déplacer l'antenne de réception
- Espacer davantage l'appareil du récepteur
- Brancher l'équipement sur la prise d'un circuit différent de celui de la radio ou de la télévision.
- Consulter le revendeur ou un technicien expérimenté en radio/télévision pour obtenir de l'aide.

DÉCLARATION DE LA FCC SUR L'EXPOSITION AUX RADIATIONS :

Cet appareil est conforme aux limitations prévues par la FCC pour l'exposition aux radiations dans le cadre d'un environnement d'accès libre. Cet appareil doit être installé et utilisé avec une distance minimale de 8 pouces (20 cm) entre le radiateur et votre corps. Ce dispositif et son(s) antenne(s) ne doivent pas être co-implantés ni utilisés à proximité d'une autre antenne ou émetteur.

CONSERVEZ SOIGNEUSEMENT CES CONSIGNES



Producteur non intentionnel d'émissions selon la Partie 15 du règlement de la FCC

Type de produit : Sèche-linge

Modèle : DVE(G)45R6300*

Partie responsable - Coordonnées de contact aux États-Unis

Samsung Electronics America, Inc.

QA Lab America

19 Chapin Rd. Building D Pine Brook NJ 07058

Tél : 1-973-808-6375 Fax : 1-973-808-63

Notification IC

Le terme « IC » précédant le numéro d'homologation radio signifie uniquement que les spécifications techniques d'Industry Canada ont été atteintes. Le fonctionnement est soumis aux deux conditions suivantes :

1. Cet appareil ne doit pas causer d'interférences ; et
2. Cet appareil doit accepter toute autre interférence, y compris les interférences pouvant entraîner un fonctionnement non désiré de l'appareil.

Cet appareil numérique de classe B est conforme à la norme ICES-003 canadienne.

Cet appareil numérique de classe B est conforme à la norme NMB-003 du Canada.

Pour les produits vendus aux États-Unis et au Canada, seuls les canaux 1 à 11 sont disponibles. Vous ne pouvez pas sélectionner d'autres canaux.

DÉCLARATION IC SUR L'EXPOSITION AUX RADIATIONS :

Cet appareil est conforme aux limitations prévues par la norme IC RSS-102 pour l'exposition aux radiations dans le cadre d'un environnement d'accès libre. Cet appareil doit être installé et utilisé avec une distance minimale de 8 pouces (20 cm) entre le radiateur et votre corps. Ce dispositif et son(s) antenne(s) ne doivent pas être co-implantés ni utilisés à proximité d'une autre antenne ou émetteur.

CONSERVEZ SOIGNEUSEMENT CES CONSIGNES



Notification de réglementation

Déclaration de logiciel open source

Le logiciel inclus dans cet appareil contient un logiciel de source libre (open source). Vous pouvez vous procurer le code source complet correspondant pendant une période de trois ans après la dernière expédition de cet appareil, en envoyant un e-mail à l'adresse <mailto:oss.request@samsung.com>.

Il est également possible d'obtenir le code source complet correspondant sur un support physique, tel qu'un CD-ROM ; des frais minimum seront facturés.

L'URL suivante http://opensource.samsung.com/opensource/SMART_AT_051/seq/0 vous donne accès à la page de téléchargement du code source mis à votre disposition, ainsi qu'aux informations sur la licence de source libre (open source) relative à cet appareil. Cette offre est valable pour toute personne ayant reçu ces informations.



REMARQUE

Par la présente, Samsung Electronics déclare que cet appareil de type équipement radio est conforme à la directive 2014/53/EU. Le texte complet de la déclaration de conformité EU est disponible à l'adresse Internet suivante : <http://www.samsung.com> (la déclaration de conformité officielle est disponible à cette adresse). Allez à Support (Assistance) > Search Product Support (Rechercher une assistance produit) et saisissez le nom de modèle. Puissance max. de l'émetteur Wi-Fi : 20 dBm à 2,412 GHz - 2,472 GHz.

CONSERVEZ SOIGNEUSEMENT CES CONSIGNES



Conditions d'installation

Lisez attentivement les instructions suivantes avant d'installer le sèche-linge et conservez ce manuel pour vous y reporter ultérieurement.

AVERTISSEMENT

La mise à la terre de certaines pièces internes n'a volontairement pas été effectuée ; ces éléments peuvent donc présenter un risque d'électrocution (lors de l'entretien uniquement).

Technicien de maintenance - Ne touchez pas les pièces suivantes lorsque l'appareil est sous tension : Panneau de commande et vanne d'arrivée d'eau.

Conditions d'installation principales

- Une prise électrique avec mise à la terre.
- Un cordon d'alimentation pour sèche-linge électrique (à l'exception du Canada).
- Des conduits de gaz (pour les modèles à gaz) qui doivent respecter les réglementations nationales et locales.
- Un système d'évacuation, réalisé en métal rigide ou en métal flexible avec parois rigides.

AVERTISSEMENT

Retirez le hublot des appareils mis au rebut pour éviter qu'un enfant ne s'étouffe à l'intérieur.

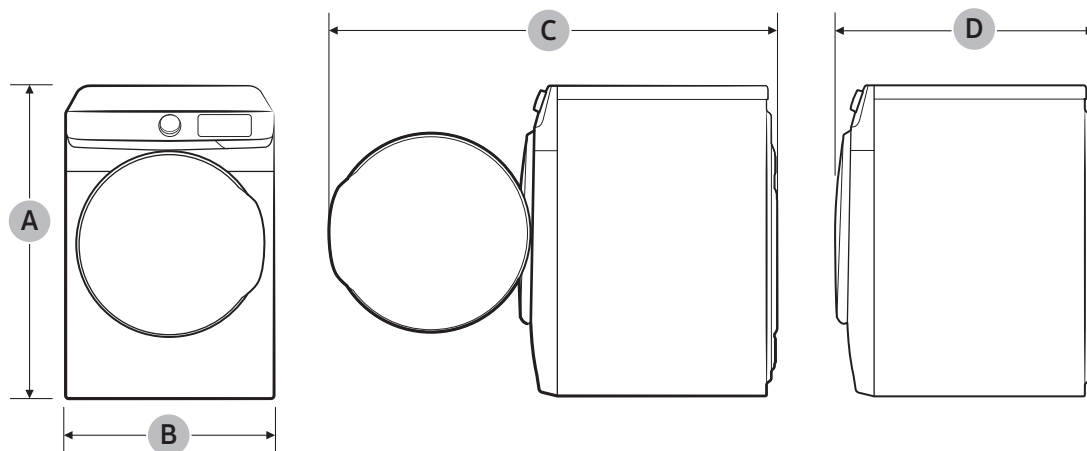
Choix de l'emplacement d'installation

Le sèche-linge doit être installé dans un endroit suffisamment spacieux, tant à l'avant pour permettre de charger l'appareil, qu'à l'arrière pour le système d'évacuation. Ce sèche-linge est équipé en usine pour une évacuation arrière en option. Si vous préférez l'évacuation par le bas, la droite ou la gauche, utilisez le kit d'évacuation auxiliaire. Les instructions sont fournies avec le kit. Veillez à ce que la pièce dans laquelle se trouve le sèche-linge soit suffisamment aérée. Vous devez donc installer le sèche-linge dans une pièce correctement ventilée. Pour les sèche-linge à gaz, respectez un dégagement adéquat (comme indiqué sur la plaque signalétique) afin de garantir une aération appropriée pour la combustion et le bon fonctionnement du sèche-linge.

Vous ne devez ni installer ni stocker le sèche-linge dans un endroit où il pourrait être en contact avec de l'eau et/ou exposé aux intempéries. Vous devez maintenir le sèche-linge à l'écart de tous matériaux combustibles, essence et autres vapeurs et liquides inflammables. Un sèche-linge produit des peluches combustibles. Évitez donc que des peluches ne s'accumulent autour.

Conditions d'installation

Dimensions



Type		Sèche-linge à chargement frontal
Dimensions (pouces (mm))	A. Hauteur totale	38,7 (984)
	B. Largeur	27,0 (686)
	C. Profondeur avec hublot ouvert	52,6 (1335)
	D. Profondeur	31,5 (800)

Dégagement requis

Ce dégagement requis concerne uniquement les sèche-linge.

REMARQUE

- Pour connaître le dégagement requis pour le lave-linge, reportez-vous au manuel d'utilisation du lave-linge.
- Si les dégagements requis pour le lave-linge et le sèche-linge sont différents, respectez celui dont la valeur est la plus élevée.

Encastrement dans une niche ou installation dans un placard

AVERTISSEMENT

- L'évacuation du sèche-linge doit se faire vers l'extérieur afin de réduire les risques d'incendie si l'appareil est installé dans une niche ou un placard.
- Vous ne devez installer aucun autre appareil fonctionnant au fuel dans le même placard que le sèche-linge.
- Placez le sèche-linge à 18 pouces (460 mm) minimum au-dessus du sol pour une installation dans un garage.

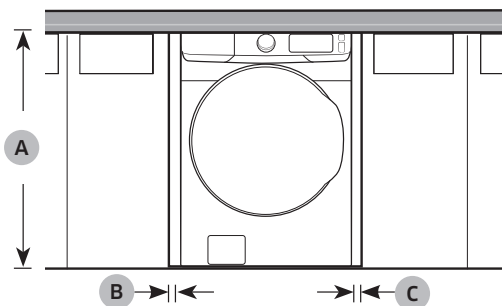
Dégagement minimal pour une stabilité optimale :

Côtés	Haut	Arrière	Avant
1 po (25 mm)	1 po (25 mm)	5,9 po (150 mm)	1 po (25 mm)

Si le lave-linge et un sèche-linge sont tous deux installés au même endroit, le panneau avant de la niche ou du placard doit être doté de deux ouvertures non obstruées ; assurez-vous d'avoir une surface totale combinée d'au moins 72 po² (465 cm²).

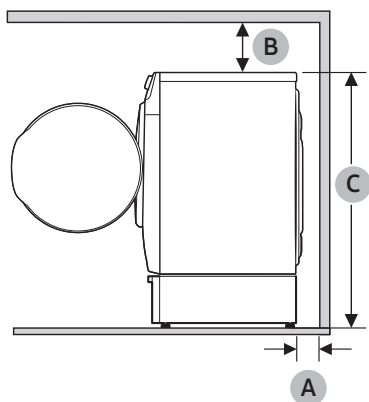
Conditions d'installation

Installation sous plan



A	39,6 po (1006 mm)
B	1 po (25 mm)
C	1 po (25 mm)

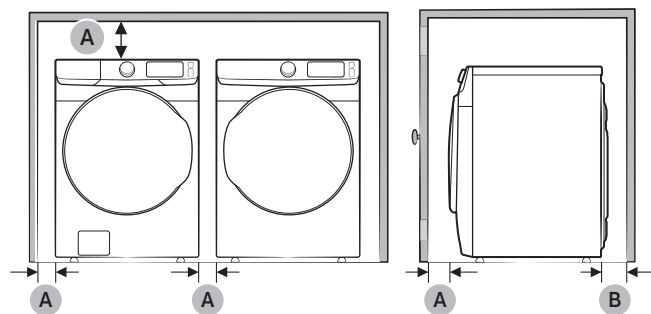
Installation du socle



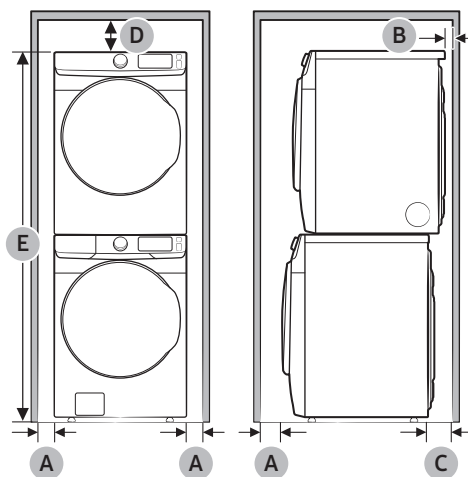
A	5,9 po (150 mm)
B	6 po (152 mm)
C	52,0 po (1320 mm)

Ce dégagement requis concerne l'installation d'une paire lave-linge/sèche-linge.

Installation côte à côte



Installation empilée (Modèle : SKK-8K)



A	1 po (25 mm)
B	5,9 po (150 mm)
C	7,1 po (180 mm)
D	6 po (152 mm)
E	78,5 po (1994 mm)

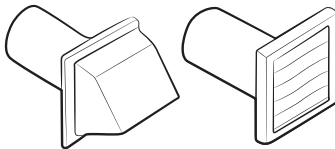
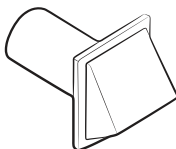
REMARQUE

Superposition (N° DE MODÈLE : SKK-8K)

De nombreux lave-linge et sèche-linge Samsung peuvent être superposés pour optimiser l'espace utile. Les kits de superposition sont en vente chez votre revendeur Samsung. Pour plus détails concernant la superposition et les modèles compatibles, reportez-vous au manuel d'utilisation inclus dans le kit de superposition que vous avez acheté.

Conditions d'installation

Conditions requises en matière de conduits

Type de bouche d'évacuation	Recommandé	À n'utiliser que pour les installations temporaires
	 4" (10,2 cm)	 2,5" (6,4 cm)
N° de coudes à 90°	Rigide	Rigide
0	80 pieds (24,4 m)	74 pieds (22,6 m)
1	68 pieds (20,7 m)	62 pieds (18,9 m)
2	57 pieds (17,4 m)	51 pieds (15,5 m)
3	47 pieds (14,3 m)	41 pieds (12,5 m)

REMARQUE

* Utilisez un conduit rigide en aluminium ou en acier galvanisé d'un diamètre de 4 pouces (10,2 cm).

Si vous intégrez le système d'aération du sèche-linge à un système d'évacuation existant :

- Assurez-vous que le système d'évacuation soit conforme à toutes les réglementations locales, régionales et nationales applicables.
- Vérifiez que vous n'utilisez pas un conduit en plastique flexible.
- Assurez-vous de vérifier l'absence de peluches accumulées à l'intérieur des conduits existants et de les retirer s'il y en a.
- Confirmez que le conduit n'est pas entortillé ou écrasé.
- Assurez-vous que le registre de la hotte s'ouvre et se ferme sans problème.

Utilisation du manomètre

La pression statique dans un système d'évacuation doit être inférieure à 0 ou ne doit pas dépasser 0,83 pouce. Notez que ces valeurs ont été mesurées sèche-linge en marche, à l'aide d'un manomètre placé au niveau du point de connexion entre le conduit d'évacuation et le sèche-linge. Le tambour du sèche-linge doit être vide et le filtre à peluches propre.

Conditions requises en matière d'évacuation

L'évacuation du sèche-linge ne doit pas être reliée à un conduit de cheminée, un mur, un plafond, un grenier, un espace mansardé ou exigü d'un bâtiment. L'évacuation du sèche-linge vers l'extérieur évite le refoulement d'air humide et de peluches dans la pièce.

Aux États-Unis et au Canada :

- Tous les sèche-linge doivent être dotés d'une évacuation vers l'extérieur.
- Le diamètre du conduit d'évacuation doit être de 4 pouces (10,2 cm).
- Consultez le chapitre « **Conditions requises en matière de conduits** » dans la section « **Installation** » pour connaître la longueur maximale de conduit et le nombre de courbures pouvant être utilisées.
- La longueur totale du conduit en métal flexible ne doit pas dépasser 7 pieds et 10 1/2" (2,4 m).
- Le conduit ne doit pas être assemblé à l'aide de vis ou autres attaches pénétrant à l'intérieur du conduit et entraînant l'accumulation de peluches.
- **Aux États-Unis uniquement** : Utilisez uniquement des conduits flexibles de type aluminium, tels que spécifiés par le fabricant, le cas échéant, et conformes à la norme Outline for Clothes Dryer Transition Duct (norme relative aux conduits d'évacuation des sèche-linge). Reportez-vous au sujet 2158A.

En dehors des États-Unis et du Canada :

- Référez-vous aux réglementations locales.

AVERTISSEMENT

- L'évacuation du sèche-linge doit se faire vers l'extérieur pour réduire les risques d'incendie lors de l'installation de l'appareil dans une niche ou une armoire.
- N'utilisez jamais de conduit flexible en plastique ou non métallique.
- Si les conduits existants sont en plastique, non métalliques ou combustibles, remplacez-les par du matériel métallique.
- Utilisez uniquement des conduits d'évacuation métalliques et non inflammables pour assurer le confinement de l'air d'évacuation, de la chaleur et des peluches.

Conditions d'installation

Systèmes fonctionnant au gaz

AVERTISSEMENT

- Utilisez uniquement du gaz naturel ou du propane liquide (PL).
- L'installation doit être conforme aux réglementations locales en vigueur ou, en l'absence de dispositions spécifiques, à la réglementation nationale sur le gaz combustible ANSI/Z223.1 (National Fuel Gas Code) ou NFPA 54, dernière révision (pour les États-Unis) ou aux dispositions d'installation relatives au gaz naturel et propane CSA B149.1 (pour le Canada).
- Les sèche-linge à gaz sont équipés d'un système de ventilation des brûleurs à utiliser avec le gaz naturel. Si vous envisagez d'utiliser votre sèche-linge avec du propane liquide, un technicien de maintenance qualifié doit le convertir pour garantir la fiabilité et la sécurité des performances. **(Modèles au gaz naturel liquide uniquement)**

Vous devez vérifier le brûleur de votre modèle et utiliser en conséquence le kit approprié pour le propane liquide. Pour consulter les informations détaillées du brûleur, ouvrez le hublot et recherchez l'étiquette signalétique sur le cadre du hublot.

- 20000 BTU : LPKIT-4/XAA (DC98-04114A)
- 22000 BTU : LPKIT-3/XAA (DC99-00792A)
- Une conduite d'alimentation en gaz de 1/2" (1,27 cm) est recommandée. Elle doit être réduite pour la connexion à la conduite de gaz de 3/8" (1 cm) de votre sèche-linge. La réglementation nationale sur le gaz combustible impose qu'un robinet de fermeture manuelle du gaz, accessible et agréé, soit installé à moins de 6 pouces (15 cm) du sèche-linge.
- Les sèche-linge à gaz installés dans des garages résidentiels doivent être surélevés à 18 pouces (46 cm) au-dessus du sol.
- En outre, une prise enfichée N.P.T. (National Pipe Thread) de 1/8 pouce (0,3 cm), permettant le branchement d'une jauge de test, doit être installée immédiatement en amont de la connexion d'alimentation en gaz du sèche-linge.
- Votre sèche-linge doit être déconnecté du circuit d'alimentation en gaz à chaque test de pression du système.
- Ne réutilisez jamais d'anciens conduits de gaz métalliques flexibles. Tout conduit de gaz flexible doit être conçu et certifié par la norme pour les raccords d'appareils à gaz, ANSI Z21.24 • CSA 6.10.

REMARQUE

- Votre sèche-linge utilise un système d'allumage automatique pour allumer le brûleur. Il n'existe pas de pilote de combustion constante.
- Les raccords de conduit utilisés doivent être résistants à l'action de tout gaz de pétrole liquéfié.
- La plupart des sociétés de gaz locales inspecteront gratuitement votre installation, sur demande.

Instructions d'installation - Commonwealth du Massachusetts

Votre sèche-linge doit être installé par un plombier ou un installateur de gaz agréé. Un robinet de gaz manuel à poignée, dit en « T », doit être installé sur la conduite d'alimentation en gaz de votre sèche-linge. Si vous utilisez un connecteur de gaz flexible pour installer votre sèche-linge, celui-ci doit mesurer au moins 3 pieds (36 pouces) de long.

AVERTISSEMENT

- Des fuites de gaz peuvent survenir dans votre système, créant une situation dangereuse.
- Une fuite de gaz n'est pas toujours détectable à l'odeur.
- C'est pourquoi les fournisseurs de gaz vous recommandent d'acheter et d'installer un détecteur de gaz conforme à la réglementation UL.
- Installez-le et utilisez-le conformément aux consignes du fabricant.

Normes électriques

Le schéma de câblage figure sur une plaque située sous le panneau de commande ou le panneau arrière.

AVERTISSEMENT

- Un branchement incorrect du conducteur de mise à la terre peut créer un risque d'électrocution. Demandez conseil à un électricien ou un réparateur agréé si vous avez des doutes quant à la mise à la terre correcte de votre sèche-linge. Ne modifiez pas la prise fournie avec le sèche-linge ; si celle-ci ne correspond pas à la prise secteur, demandez à un électricien qualifié d'installer une prise adéquate.
- Pour prévenir tout risque d'incendie, d'électrocution ou de blessure, l'intégralité du câblage et des mises à la terre doit être réalisée conformément aux réglementations locales ou, en l'absence de ces dernières, au code électrique national (National Electrical Code) ANSI/NFPA dernière révision n°70 (pour les États-Unis) ou aux dispositions canadiennes sur l'électricité CSA C22.1 (dernières révisions) et aux réglementations locales. Il relève de votre responsabilité de fournir des services électriques adaptés à votre sèche-linge.
- Toutes les installations au gaz doivent être conformes aux dispositions nationales sur le gaz ANSI/Z2231 - dernière révision (pour les États-Unis), ou aux dispositions d'installation CAN/CGA - B149 dernière révision (pour le Canada), ainsi qu'aux réglementations et ordonnances locales en vigueur.

Conditions d'installation

Mise à la terre

Ce sèche-linge doit être mis à la terre. En cas de panne ou de défaillance, la mise à la terre réduira le risque de surtension électrique en fournissant un circuit de fuite au courant électrique.

Modèles au gaz

AVERTISSEMENT

- Votre sèche-linge est doté d'un cordon équipé d'un conducteur de mise à la terre et d'une prise de terre. La prise doit être branchée sur une prise secteur appropriée, correctement installée et mise à la terre conformément aux dispositions et aux réglementations en vigueur.
- Ne modifiez pas la prise fournie avec le sèche-linge ; si celle-ci ne correspond pas à la prise secteur, demandez à un électricien qualifié d'installer une prise adéquate.
- Ne reliez pas un conducteur de terre à une canalisation de plomberie en plastique, un conduit de gaz ou une canalisation d'eau chaude.

Modèles électriques

AVERTISSEMENT

- Votre sèche-linge est doté d'un cordon en option équipé d'un conducteur de mise à la terre et d'une prise de terre. Ce cordon est vendu séparément.
- La prise doit être branchée sur une prise secteur appropriée, correctement installée et mise à la terre conformément aux dispositions et aux réglementations en vigueur.
- Ne modifiez pas la prise fournie avec le sèche-linge ; si celle-ci ne correspond pas à la prise secteur, demandez à un électricien qualifié d'installer une prise adéquate.
- Si vous n'utilisez pas de cordon d'alimentation et que le sèche-linge électrique doit être branché en permanence, reliez-le à une prise de terre métallique permanente ou connectez un conducteur de mise à la terre aux conducteurs du circuit et à la borne ou au fil de terre de l'appareil.

Raccordement électrique

Avant toute mise en marche ou test, suivez toutes les consignes de mise à la terre présentées dans la section « Mise à la terre ». Nous vous recommandons de relier votre sèche-linge à une dérivation individuelle ou à un circuit distinct.

N'utilisez pas de rallonge avec cet appareil.

Modèles au gaz - États-Unis et Canada

Vous devez utiliser une alimentation électrique de 120 V c.a., 60 Hz et un disjoncteur ou fusible de 15 A.

Modèles électriques - États-Unis uniquement

Aux États-Unis, la plupart des sèche-linge requièrent une alimentation en 120 / 240 V c.a., 60 Hz, tandis que d'autres requièrent une alimentation en 120/208 V c.a., 60 Hz. Vous trouverez les spécifications électriques sur l'étiquette située derrière le hublot. Un disjoncteur ou un fusible de 30 A est requis de chaque côté de la ligne.

- Si vous utilisez un cordon d'alimentation, branchez ce dernier sur une prise 30 A.
- Le cordon d'alimentation n'est pas fourni avec les sèche-linge version électrique aux États-Unis. Ce cordon est vendu séparément.

Risque d'électrocution

AVERTISSEMENT

Lorsque les dispositions locales le permettent, vous pouvez brancher l'alimentation électrique du sèche-linge à l'aide d'un nouveau kit de cordon d'alimentation, portant une mention de compatibilité avec les sèche-linge et homologué UL. Ce cordon doit supporter une alimentation nominale d'au moins 120 / 240 V, 30 ampères à partir d'un cordon doté de trois conducteurs en cuivre N°10 et terminé par des bornes en boucle fermée, des cosses à fourches ouvertes aux extrémités relevées ou des conducteurs étamés.

- Ne réutilisez pas le cordon d'alimentation d'un sèche-linge usagé. Le câblage électrique du cordon d'alimentation doit être raccordé au niveau du boîtier électrique du sèche-linge au moyen d'un réducteur de tension homologué UL.
- La mise à la terre via le conducteur neutre est interdite pour (1) les nouvelles installations de circuit, (2) les mobil homes, (3) les véhicules de camping et (4) les zones où les réglementations locales interdisent ce type de mise à la terre. (Dans ces cas-là, utilisez une fiche quadripolaire pour une prise 4 fils, de type NEMA 14-30R.)

Modèles électriques - Canada uniquement

Vous devez utiliser une alimentation électrique de 120/240 V c.a., 60 Hz, et un disjoncteur ou fusible de 30 A aux deux extrémités de la ligne.

REMARQUE

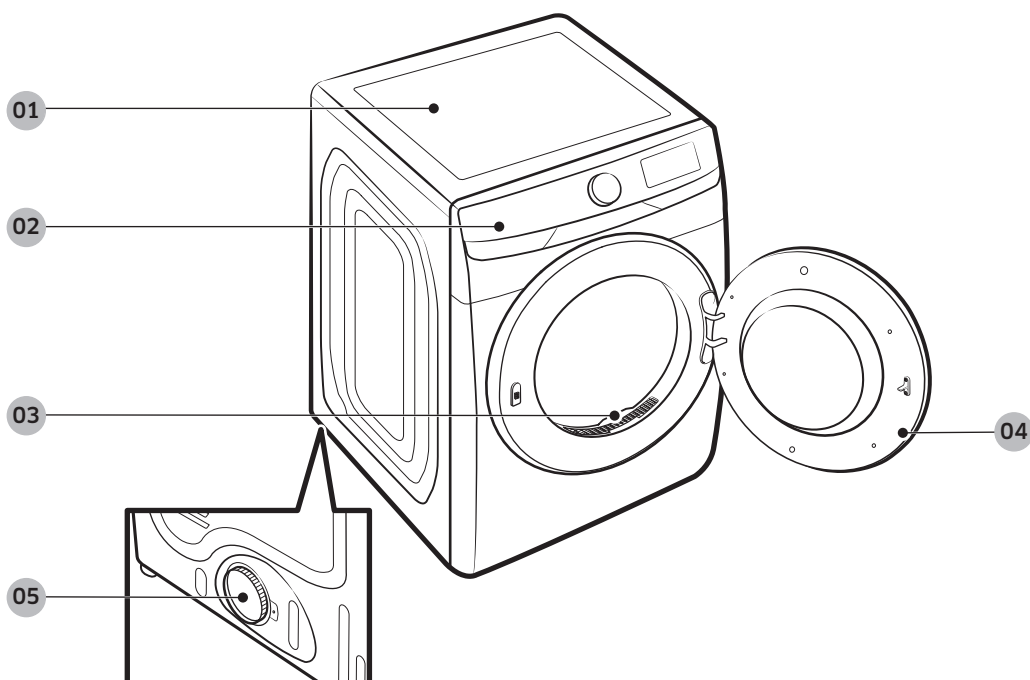
Tous les modèles canadiens sont livrés avec un cordon d'alimentation intégré. Vous devez brancher le cordon d'alimentation sur une prise 30 A. Au Canada, il est possible que vous puissiez pas convertir un sèche-linge en 120/208 V.

Installation

L'installation du sèche-linge doit être effectuée par un technicien qualifié. L'installateur doit connecter le sèche-linge au secteur en respectant les consignes de sécurité en vigueur dans votre zone.

Ce qui est inclus

Assurez-vous que toutes les pièces sont incluses dans l'emballage de l'appareil. Si vous rencontrez un problème avec le sèche-linge ou les pièces, contactez un centre d'assistance clientèle Samsung local ou le magasin.



01 Dessus du sèche-linge

02 Panneau de commande

03 Filtre à peluches

04 Hublot

05 Conduit d'évacuation

Pièces fournies



Raccord en Y

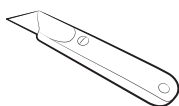


Tuyau d'eau court

Outils requis pour l'installation



Pince



Cutter



Pince serre-tube
(modèles au gaz
uniquement)



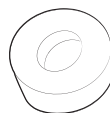
Tournevis pour écrous



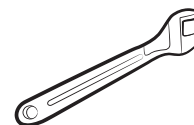
Niveau



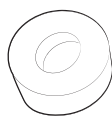
Tournevis cruciforme



Ruban adhésif



Clé



Matériau de protection
contre le GPL ou bande
de Téflon (pour une
installation au gaz)

⚠ AVERTISSEMENT

Les matériaux d'emballage peuvent être dangereux pour les enfants. Tenez tous les emballages (sacs en plastique, polystyrène, etc.) hors de portée des enfants.



Installation

Installation étape par étape

Assurez-vous que l'installation du sèche-linge est effectuée par un technicien qualifié. Les instructions d'installation étape par étape commencent ci-dessous.

- Ne retirez pas le film protecteur du hublot avant d'avoir terminé l'installation de l'appareil. Si vous retirez le film de protection avant la fin de l'installation, vous risquez de rayer ou d'endommager le hublot pendant l'installation.
- Assurez-vous que le lieu d'installation dispose d'un espace suffisant pour permettre l'ouverture complète du hublot du sèche-linge.

ÉTAPE 1 Installer le système d'évacuation

1. Sélectionnez un emplacement et placez le sèche-linge sur le site. Afin de faciliter l'accès, nous vous conseillons d'installer le sèche-linge au même endroit que votre lave-linge.
2. Pour changer le sens d'ouverture du hublot, reportez-vous au chapitre « **Inversion du hublot** » en page 35.
3. Installez le système d'évacuation comme indiqué dans la section « **Guide d'installation du conduit d'évacuation** ».

ATTENTION

Avant d'installer votre sèche-linge, retirez le joint dans le conduit.

REMARQUE

- Posez deux des plateaux en carton de l'emballage sur le sol pour déplacer le sèche-linge plus facilement. Inclinez le sèche-linge sur le côté pour le poser sur les deux plateaux. Faites glisser le sèche-linge jusqu'à l'endroit où vous voulez l'installer et remplacez le sèche-linge à la verticale.
- Veillez à laisser un espace suffisant autour de l'appareil afin de faciliter le raccordement des conduits et le câblage.

ÉTAPE 2 Raccordement de la conduite de gaz (modèles au gaz)

Avant de raccorder la conduite de gaz, assurez-vous d'avoir lu le chapitre « **Systèmes fonctionnant au gaz** » à la page 20.

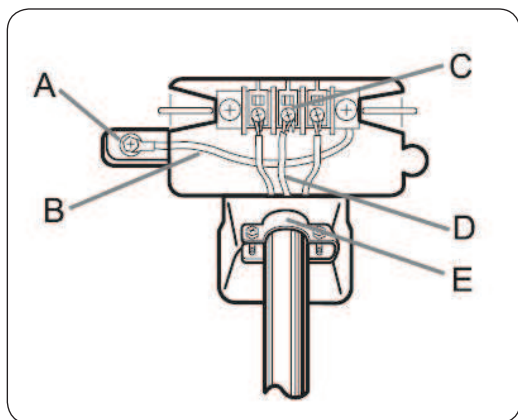
1. Retirez le bouchon de protection au niveau du conduit de gaz.
2. Appliquez un matériau de protection contre le gaz de pétrole liquéfié ou une bande de Téflon sur un tour et demi sur tous les raccords filetés.
3. Branchez l'alimentation en gaz sur le sèche-linge. Un raccord supplémentaire est requis pour relier l'extrémité filetée femelle 3/4" (1,9 cm) du raccord flexible à l'extrémité filetée mâle de 3/8" (1 cm) du sèche-linge. Serrez le raccord par-dessus tous les filetages.
4. Ouvrez l'alimentation en gaz et vérifiez l'absence de fuites à l'aide d'une solution savonneuse. Si vous trouvez une fuite, serrez les raccords et réessayez. N'utilisez jamais de flamme nue pour rechercher les fuites de gaz.



ÉTAPE 3 Câblage électrique (modèles électriques)

Avant d'effectuer le câblage électrique, assurez-vous d'avoir lu le chapitre « Normes électriques » à la page 21.

Système à 3 fils



- A. Connecteur de terre externe
- B. Fil de terre neutre (blanc)
- C. Vis centrale argentée du bornier
- D. Fil neutre (blanc ou central)
- E. Réducteur de tension 3/4" (1,9 cm) homologué UL

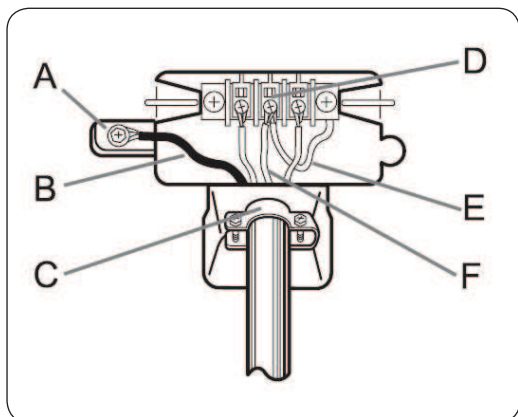
1. Desserrez ou retirez le bornier central.
2. Reliez le fil neutre (blanc ou central) du câble d'alimentation au centre, la vis argentée centrale du bornier. Serrez les vis.
3. Reliez les autres fils aux bornes à vis extérieures. Serrez les vis.
4. Serrez les vis de libération de tension.
5. Insérez le cache du bornier dans le panneau arrière du sèche-linge. Fixez ensuite le cache à l'aide d'une vis.

ATTENTION

- Lors de la conversion d'un système à 4 fils en système à 3 fils, le conducteur de terre doit être rebranché sur le support du bornier, afin de mettre le châssis du sèche-linge à la terre sur le conducteur neutre.
- Il est recommandé d'utiliser des borniers à anneau. Si vous utilisez des cosses à barrette, veillez à ce qu'elles soient parfaitement mises en place.

Installation

Branchements à 4 fils



- A. Connecteur de terre externe
- B. Fil vert ou en cuivre nu du cordon d'alimentation
- C. Réducteur de tension 3/4" (1,9 cm) homologué UL
- D. Vis centrale argentée du bornier
- E. Fil de terre neutre (blanc)
- F. Fil neutre (blanc ou central)

1. Retirez la vis du connecteur de terre externe, puis reliez le fil de terre (vert ou dénudé) du câble d'alimentation à la vis.

⚠ ATTENTION

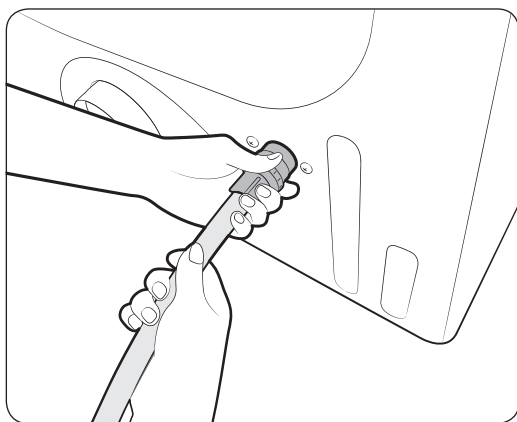
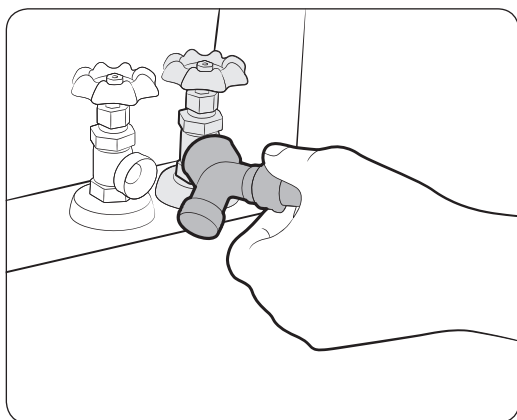
- Pour relier le fil de terre à la position neutre sans utiliser le contact A (mise à la terre du châssis), contactez un technicien. Aucune pièce ne doit être réparée par l'utilisateur.
 - Il est recommandé d'utiliser des borniers à anneau. Si vous utilisez des cosses à barrette, veillez à ce qu'elles soient parfaitement mises en place.
2. Desserrez ou retirez les vis du bornier central.
 3. Reliez le fil neutre (blanc ou central) et le fil de terre (blanc) à la vis centrale du bornier. Serrez la vis.
 4. Reliez les autres fils aux bornes à vis extérieures. Serrez les vis.
 5. Serrez les vis de libération de tension.
 6. Insérez la languette du cache du bornier dans l'encoche arrière du sèche-linge. Fixez le cache à l'aide d'une vis.

⚠ AVERTISSEMENT

- Tous les modèles destinés aux États-Unis sont conçus pour un branchement à 3 fils. Le châssis du sèche-linge est relié à la terre par un conducteur neutre au niveau du bornier. Un branchement à 4 fils est requis dans les cas suivants : nouvelles constructions, habitations rénovées, mobil-homes, réglementations locales n'autorisant pas la mise à la terre via le conducteur neutre. Si vous utilisez un système à 4 fils, vous ne pouvez pas mettre le châssis du sèche-linge à la terre via le conducteur neutre au niveau du bornier.
- Retirez le cache du bornier. Introduisez le cordon d'alimentation équipé d'un réducteur de tension homologué UL par l'orifice découpé dans le panneau à proximité du bornier.
- Vous devez impérativement utiliser un réducteur de tension. Ne desserrez pas les écrous déjà fixés au bornier. Assurez-vous qu'ils sont bien serrés. Utilisez une douille longue de 3/8" (1 cm).

ÉTAPE 4 Raccordement du tuyau d'eau

Le sèche-linge doit être raccordé au robinet d'eau froide à l'aide des tuyaux d'eau fournis.

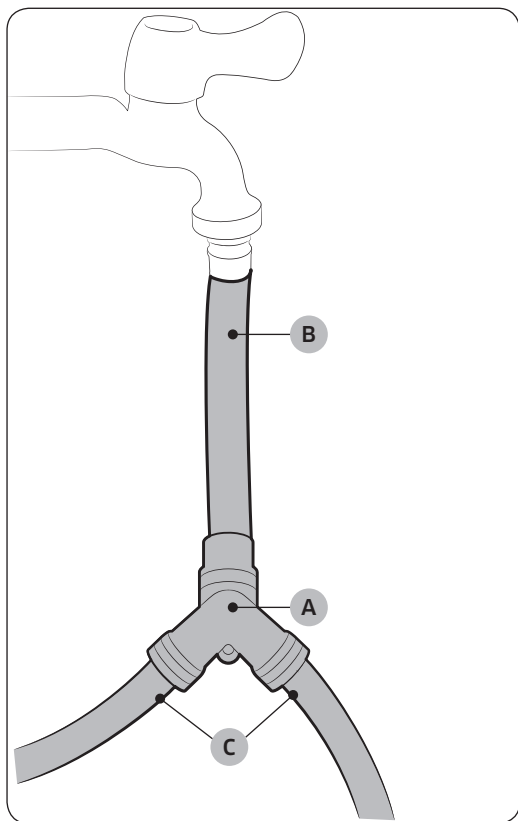


1. Fermez le robinet d'eau froide. Si le tuyau d'eau froide du lave-linge est raccordé au robinet d'eau froide, dévissez-le et débranchez-le. Branchez ensuite l'extrémité femelle du raccord en Y au robinet d'eau froide.
2. Branchez la partie droite du tuyau d'eau sur le raccord en Y. Serrez le raccord du tuyau à la main.
3. À l'aide d'une pince, serrez le raccord de deux tiers de tour supplémentaires. Ne serrez pas à l'excès ; vous risqueriez d'endommager le raccord.
4. Branchez la partie coudée du tuyau d'eau au robinet de remplissage situé à l'arrière, en bas du sèche-linge. Tournez le raccord à la main jusqu'à ce qu'il soit bien serré.
5. À l'aide d'une pince, serrez le raccord de deux tiers de tour supplémentaires. Ne serrez pas à l'excès ; vous risqueriez d'endommager le raccord.
6. Si vous avez détaché le tuyau d'eau froide au niveau de votre lave-linge, raccordez le tuyau sur l'extrémité ouverte du raccord en Y, serrez le raccord à la main jusqu'à ce qu'il soit serré puis, à l'aide d'une pince, serrez-le de deux tiers de tour supplémentaires.
7. Ouvrez le robinet d'eau froide, puis confirmez l'absence de fuite.

Si le raccord en Y ne peut pas être connecté directement au robinet d'eau froide, utilisez le tuyau court. Reportez-vous à la section « Utilisation du tuyau court comme rallonge » à la page 30.

Installation

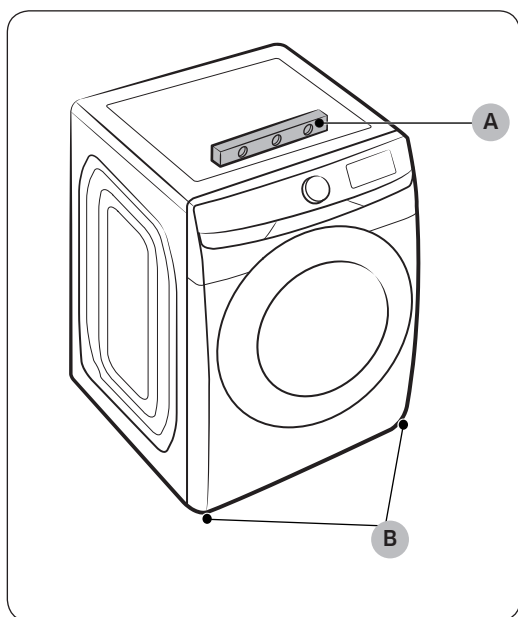
Utilisation du tuyau court comme rallonge



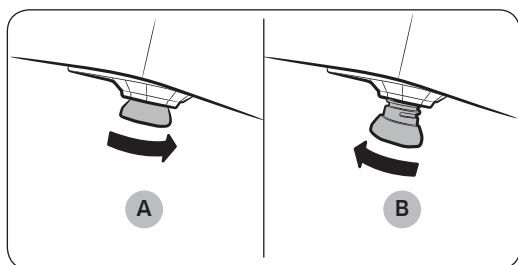
1. Fermez le robinet d'eau froide. Si le tuyau d'eau froide du lave-linge est raccordé au robinet d'eau froide, dévissez-le et débranchez-le. Ensuite, raccordez le **tuyau court (B)** au robinet d'eau froide. Tournez le raccord à la main jusqu'à ce qu'il soit bien serré.
2. À l'aide d'une pince, serrez le raccord de deux tiers de tour supplémentaires. Ne serrez pas à l'excès ; vous risqueriez d'endommager le raccord.
3. Branchez le **raccord en Y (A)** à l'extrémité mâle en laiton du tuyau court. Tournez le raccord à la main jusqu'à ce qu'il soit bien serré.
4. À l'aide d'une pince, serrez le raccord de deux tiers de tour supplémentaires. Ne serrez pas à l'excès ; vous risqueriez d'endommager le raccord.
5. Branchez la partie coudée des **tuyaux d'eau (C)** au robinet de remplissage situé à l'arrière, en bas du sèche-linge. Tournez le raccord à la main jusqu'à ce qu'il soit bien serré.
6. À l'aide d'une pince, serrez le raccord de deux tiers de tour supplémentaires. Ne serrez pas à l'excès ; vous risqueriez d'endommager le raccord.
7. Si vous avez détaché le tuyau d'eau froide au niveau de votre lave-linge, raccordez le tuyau sur l'extrémité libre du raccord en Y, serrez le raccord à la main jusqu'à ce qu'il soit serré puis, à l'aide d'une pince, serrez-le de deux tiers de tour supplémentaires.
8. Ouvrez le robinet d'eau froide, puis confirmez l'absence de fuite.

ÉTAPE 5 Mise à niveau du sèche-linge

Pour pouvoir offrir des performances optimales, le sèche-linge doit être de niveau.



Assurez-vous que le sèche-linge est à niveau de droite à gauche et de l'avant à l'arrière à l'aide d'un **niveau (A)**. Si le sèche-linge n'est pas de niveau, tournez les **pieds réglables (B)** dans le sens horaire pour abaisser le sèche-linge ou dans le sens antihoraire pour soulever le sèche-linge.



REMARQUE

- Pour positionner le sèche-linge à la même hauteur que votre lave-linge, **rétractez (A)** entièrement les pieds en les faisant tourner dans le sens antihoraire, puis **desserrez-les (B)** en les tournant dans le sens horaire. Une fois que le sèche-linge est au même niveau que le lave-linge, suivez les consignes ci-dessus pour mettre à niveau le sèche-linge.
- Ajustez les pieds uniquement pour atteindre le niveau requis. Si vous étendez les pieds plus que nécessaire, les vibrations seront plus importantes.

Installation

ÉTAPE 6 Mise sous tension (modèles à gaz)

Assurez-vous que tous les branchements en gaz, le conduit d'évacuation et tout le câblage sont raccordés correctement. Ensuite, branchez le cordon d'alimentation sur une source d'alimentation, et vérifiez l'installation et le bon fonctionnement du sèche-linge à l'aide de la liste de contrôle final de l'étape 7 ci-dessous.

ÉTAPE 7 Dernière vérification

Lorsque l'installation est terminée, confirmez que :

- Le sèche-linge est branché sur une prise électrique et correctement relié à la terre.
- Les conduits d'évacuation sont raccordés et les joints maintenus par du ruban adhésif.
- Nous avons choisi un système d'évacuation en métal rigide ou flexible et non des flexibles en plastique.
- Le sèche-linge est de niveau et ses pieds sont posés au sol de manière stable.
- Le sèche-linge démarre, fonctionne, chauffe et s'éteint correctement.
- Le gaz est alimenté de façon appropriée sans fuites (pour les modèles au gaz uniquement).

ATTENTION

Le brûleur peut ne pas s'allumer si de l'air est présent dans le conduit de gaz. Lancez un cycle de séchage à chaud pour purger le conduit. Si le gaz ne s'allume pas dans un délai de 5 minutes, éteignez le sèche-linge et attendez pendant 5 minutes. Assurez-vous que le robinet d'alimentation en gaz du sèche-linge est ouvert. Pour vérifier l'allumage du gaz, contrôlez l'émission de chaleur au niveau de l'évacuation.



Test de blocage de l'aération

Une fois le sèche-linge installé, lancez le test de blocage de l'aération afin de vérifier si le système de conduits est correctement installé. Le test de blocage de l'aération détecte automatiquement l'état des conduits et signale tout blocage ou problème. Le bon raccordement des conduits peut réduire le temps de séchage et économiser de l'énergie.

REMARQUE

Le test de blocage de l'aération doit être effectué lorsque le sèche-linge est froid. Si le sèche-linge chauffe après la vérification de l'installation, exécutez un cycle **AIR FLUFF (AIR FROID)** pendant plusieurs minutes, afin de réduire sa température interne.

Exécution du test de blocage de l'aération

1. Assurez-vous que le tambour est vide, puis fermez le hublot. (Si des vêtements ou d'autres articles se trouvent dans le tambour, les résultats du test ne seront pas précis.)
2. Appuyez sur le bouton **Marche/Arrêt** pour allumer le sèche-linge, puis maintenez simultanément enfoncés les boutons **Adjust Time (Réglage du temps)** ^ et **Dryness (Séchage)** pendant 3 secondes. Le message « **InS** » apparaît sur l'écran du sèche-linge. (Si vous avez commencé d'autres procédures avant de lancer le test de blocage de l'aération, le sèche-linge n'entre pas en mode Test de blocage de l'aération.)
3. Appuyez sur le bouton **Départ/Pause (Hold to Start (maintenir enfoncé pour commencer))**. Le test de blocage de l'aération commence immédiatement. Pendant le test, le voyant numérique dessine un cercle en 6 étapes dans le sens horaire. Le test dure environ 2 minutes. N'ouvrez pas le hublot pendant le test.
4. Au bout de 2 minutes, une fois le test terminé, les résultats s'affichent et le sèche-linge émet une mélodie. Si l'état du système de conduits est normal, « **0** » apparaît et le sèche-linge émet un signal de fin. Si l'évacuation du système de conduits ne peut pas se faire correctement, « **CLg** » apparaît et le sèche-linge émet un signal d'alarme. Si d'autres problèmes sont détectés, un code d'information apparaît à l'écran. Pour obtenir des informations sur le code, reportez-vous à la section « **Codes d'erreur** » en page 59.
 - Pour arrêter ou annuler le test de blocage de l'aération, appuyez sur le bouton **Marche/Arrêt** pour éteindre le sèche-linge.
 - Pendant le test, si le message « **dc** » apparaît à l'écran, assurez-vous que le hublot est fermé. Si le message « **C1** » s'affiche, regardez s'il ne reste pas du linge dans le tambour. S'il y en a, arrêtez le test et retirez-le. Ensuite, relancez le test.
 - Le résultat reste affiché à l'écran pendant environ 5 minutes, puis s'efface automatiquement. Vous pouvez effacer les résultats immédiatement en appuyant sur le bouton **Marche/Arrêt**.



Installation

REMARQUE

- Pendant ou après le test, le tambour interne est chaud. Faites attention à ne pas vous brûler. Le test de blocage de l'aération est utilisé pour vérifier l'absence de problèmes dans le système de conduits actuel lorsque le sèche-linge est installé pour la première fois.
- Si le résultat du test affiche « **CLg** » (le système de conduits est obstrué), reportez-vous à la section « **Conditions requises en matière de conduits** » en page 18 et à la section « **Guide d'installation du conduit d'évacuation** » ci-dessous. Prenez ensuite les mesures appropriées pour corriger tout problème. Si le test est interrompu, il pourrait fournir des résultats incorrects. Suivez les procédures appropriées lorsque vous testez le sèche-linge.
- Même si le résultat du test est normal (« **0** »), le système de conduits pourrait être légèrement bloqué. Installez correctement tous les conduits conformément aux instructions d'installation indiquées dans ce manuel.

Guide d'installation du conduit d'évacuation

Connexion des conduites

1. Assurez-vous que le sèche-linge est installé de façon appropriée pour laisser l'air s'échapper librement.
2. Utilisez des conduites d'évacuation métalliques rigides de 4 pouces. Scellez tous les joints à l'aide d'un ruban adhésif, y compris le raccordement du sèche-linge. N'utilisez jamais de vis qui piègent les peluches.
3. Pour faciliter l'évacuation, gardez les conduites aussi droites que possible.

Nettoyage

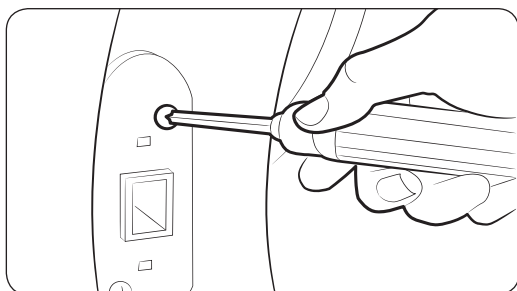
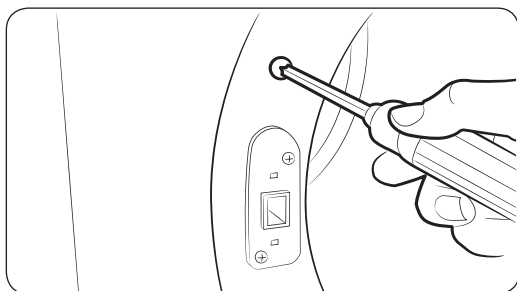
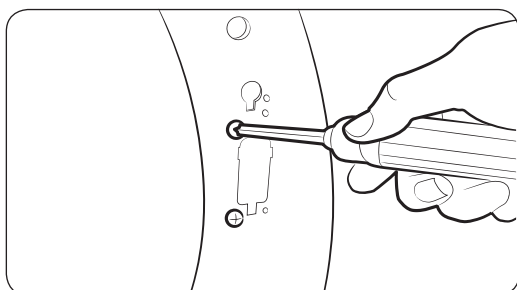
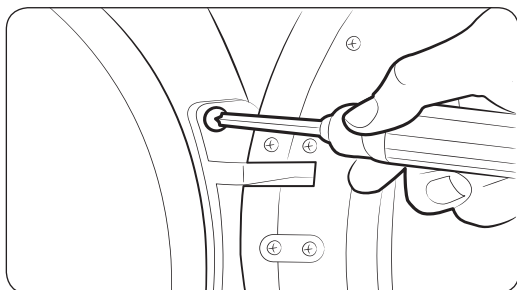
Nettoyez toutes les anciennes conduites avant l'installation du sèche-linge et assurez-vous que le clapet d'air s'ouvre et se ferme librement. Nous vous recommandons de nettoyer le système d'évacuation chaque année ou régulièrement.

AVERTISSEMENT

- Afin d'éviter un incendie, n'utilisez pas de conduites en plastique, en aluminium fin ou non métalliques quel qu'en soit le type.
- N'utilisez pas un mauvais système d'évacuation car il ralentit les performances du sèche-linge.
- N'utilisez pas de conduites excessivement longues et qui ont plusieurs coudes.
- N'utilisez pas de conduites et d'évents bouchés ou écrasés.

Inversion du hublot

Type 1



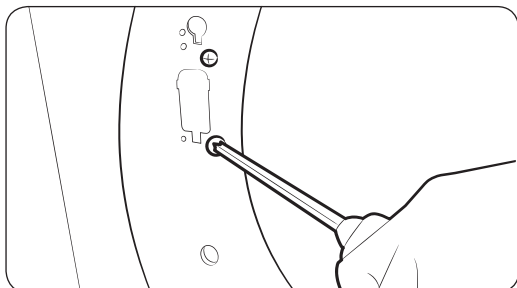
1. Placez un chiffon doux sur le sol pour pouvoir y poser le hublot une fois que vous l'aurez retiré. Cela évitera de rayer le hublot.
2. Débranchez le cordon d'alimentation.
3. Retirez les deux vis de la charnière du hublot.
4. Soulevez le hublot et retirez-le du sèche-linge.

REMARQUE

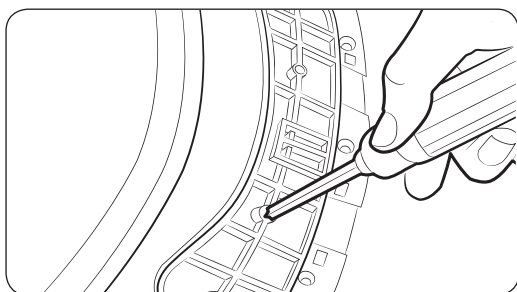
Il y a une vis à l'arrière de la charnière qui soutiendra le hublot lorsque vous dévisserez les vis de la charnière.

5. Retirez les deux vis qui se trouvent au-dessus et en dessous du découpage à l'avant du châssis.
6. Retirez les deux vis qui se trouvent au-dessus et en dessous du support du dispositif de fermeture, sur le côté opposé de l'ouverture du hublot.
7. Retirez les deux vis qui tiennent le support du dispositif de fermeture en place, puis enlevez le support du dispositif de fermeture.

Installation



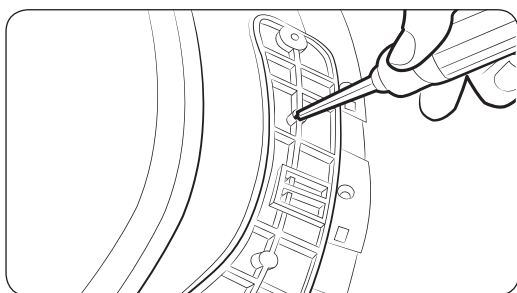
8. Réinsérez les deux vis qui fixaient le support du dispositif de fermeture dans les mêmes trous de vis, puis serrez-les.



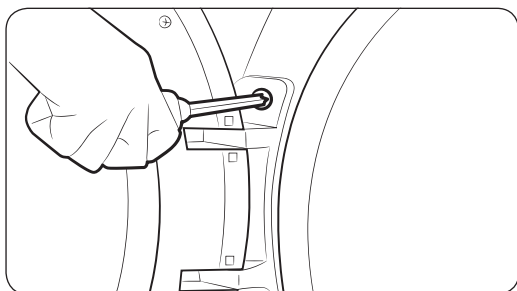
9. Retirez la vis unique à l'arrière de la charnière du hublot.

REMARQUE

Il s'agit de la vis qui fixe le hublot contre le châssis, afin que vous puissiez dévisser ou visser les vis de la charnière sans avoir besoin de soutenir vous-même le hublot.



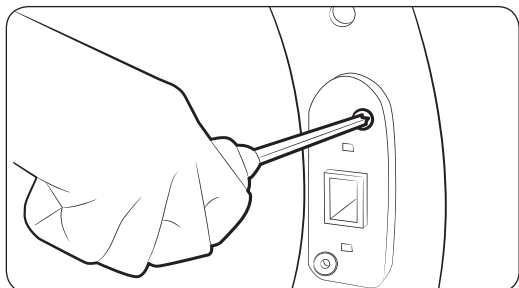
10. Insérez la vis que vous venez de retirer dans l'autre trou de vis, à l'arrière de la charnière du hublot, puis serrez-la.



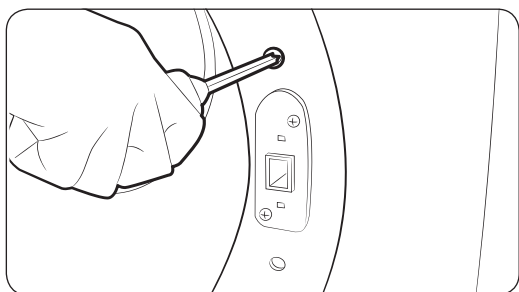
11. Placez le hublot de l'autre côté, puis fixez-le à nouveau sur le sèche-linge.

REMARQUE

Insérez la tête de la vis à l'arrière de la charnière dans le trou situé au-dessus du découpage dans le châssis, puis faites glisser la charnière du hublot vers le bas jusqu'à ce qu'elle s'arrête. Avant de serrer les vis de la charnière, assurez-vous que le dépassement à l'arrière de la charnière soit poussé dans le découpage.



- 12.** Poussez le support du dispositif de fermeture dans le découpage, de l'autre côté de l'ouverture du hublot. Insérez les vis, puis serrez-les comme indiqué.



- 13.** Réinstallez les vis restantes dans les trous restants situés au-dessus et en dessous du support du dispositif de fermeture, puis serrez-les.

Avant de démarrer

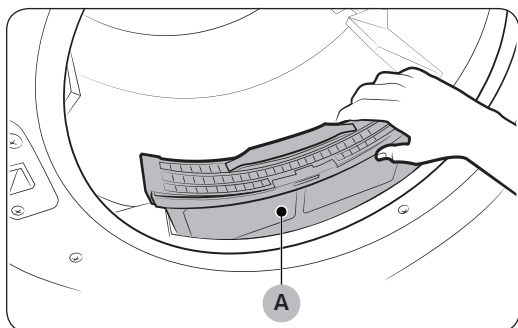
Il y a un certain nombre de choses que vous devez savoir avant de démarrer votre sèche-linge.

Tri et charge

- Mettez une seule charge de linge à la fois dans le sèche-linge.
- Ne mélangez pas du linge lourd et du linge léger.
- Pour augmenter l'efficacité de séchage pour un ou deux vêtements, ajoutez une serviette sèche à la charge.
- Pour obtenir des résultats optimaux, démêlez le linge avant de l'introduire dans le sèche-linge. Les articles emmêlés peuvent dégrader l'efficacité de séchage ou entraîner l'ouverture du hublot.
- Une surcharge peut réduire l'action du tambour et ainsi entraîner un séchage inégal et altérer l'effet anti-froissage.
- Sauf indication contraire sur l'étiquette d'entretien, ne faites pas sécher des vêtements en laine ou en fibre de verre au sèche-linge.
- Évitez de faire sécher au sèche-linge des vêtements qui n'ont pas été lavés.
- Ne faites pas sécher des vêtements salis avec de l'huile, de l'alcool, de l'essence, etc.

Conditions de fonctionnement préalables

Filtre à peluches



Pour éviter tout risque d'incendie, assurez-vous de nettoyer le filtre à peluches avant ou après chaque charge.

1. Éteignez le sèche-linge.
2. Ouvrez le hublot et retirez le **filtre à peluches (A)** de l'intérieur du tambour.
3. Ouvrez le filtre à peluches en le détachant par le haut. Retirez les peluches, puis nettoyez le filtre à peluches.
4. Fermez le filtre à peluches, réinsérez le filtre à peluches dans le sèche-linge, puis fermez le hublot du sèche-linge.

⚠ ATTENTION

- Ne faites pas fonctionner le sèche-linge si le filtre à peluches n'est pas remis en place.
- N'utilisez pas un filtre à peluches endommagé ou cassé. Cela peut réduire les performances et/ou entraîner un incendie.

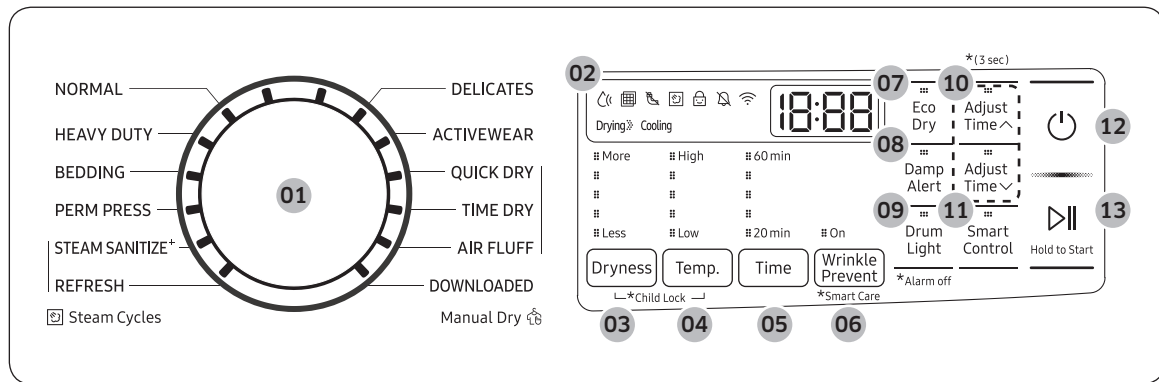
Opérations

⚠ AVERTISSEMENT

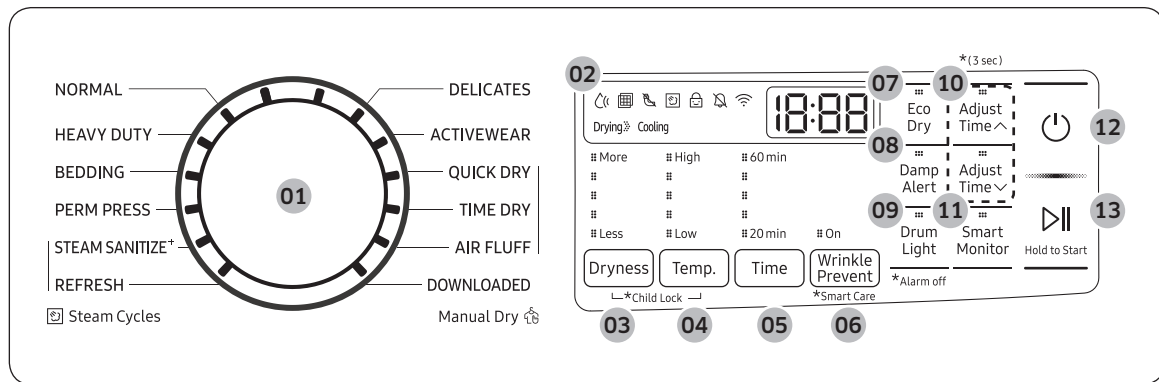
Pour réduire le risque d'incendie, d'électrocution ou de blessures, lisez la section « Consignes de sécurité » avant d'utiliser cet appareil.

Panneau de commande

DVE45R6300*

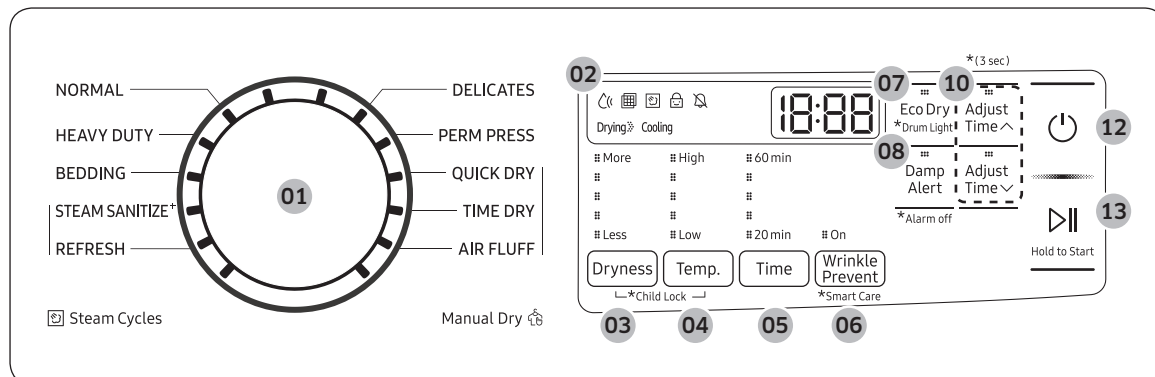


DVG45R6300*



Opérations

DVE(G)45R6100*



<p>01 Sélecteur de programme</p>	<p>Faites tourner le sélecteur de programme pour sélectionner le cycle souhaité. Le voyant s'allume en regard du nom du cycle correspondant.</p> <ul style="list-style-type: none"> • Steam Cycles (Cycles Vapeur) : Le sèche-linge pulvérise de l'eau dans le tambour pour désodoriser les vêtements et pour réduire l'électricité statique et l'effet de froissage. • Manual Dry (Séchage manuel) : Le temps de séchage est fixe.
<p>02 Affichage graphique numérique</p>	<p>Affiche toutes les informations du cycle, notamment sa durée, son code d'information et son état de fonctionnement.</p>
<p>03 Dryness (Séchage)</p>	<p>Appuyez sur ce bouton pour sélectionner un niveau de séchage. Vous avez le choix entre 5 options différentes (Faible à Fort). Veuillez vous référer aux recommandations suivantes afin de sélectionner le niveau de séchage approprié.</p> <ul style="list-style-type: none"> • Pour obtenir un séchage parfait sur des volumes de linge plus importants, sélectionnez Fort. • Pour les articles qui doivent finir de sécher à plat ou en suspension, sélectionnez Faible pour un séchage partiel. <p>REMARQUE</p> <p>Cette option n'est pas disponible avec REFRESH (RAFRÂCHIR), STEAM SANITIZE (STÉRILISATION VAPEUR)+, ACTIVEWEAR (VÊTEMENTS QUOTIDIENS), TIME DRY (TEMPS DE SÉCHAGE), QUICK DRY (SÉCHAGE RAPIDE) et AIR FLUFF (AIR FROID).</p>

04 Temp.	<p>La température ne peut être ajustée qu'avec le cycle TIME DRY (TEMPS DE SÉCHAGE).</p> <p>Appuyez pour modifier la température du cycle actuel. Vous avez le choix entre 5 options différentes (Faible à Élevée). Veuillez sélectionner la température appropriée en fonction du linge.</p> <ul style="list-style-type: none"> • High (Élevée) : Pour le linge en coton résistant ou portant l'étiquette Séchage en machine autorisé. • Medium (Moyenne) : Pour les tissus infroissables, le synthétique, les cotons légers et le linge portant l'étiquette Séchage en machine à température moyenne. • Low (Basse) : Pour les articles sensibles à la chaleur, dont l'étiquette indique Séchage en machine à froid ou tiède. Séchage à la plus basse température possible.
05 Time (Durée)	<p>Appuyez sur Time (Durée) pour sélectionner une durée de séchage pour le cycle sélectionné. Cette fonction est disponible uniquement avec TIME DRY (TEMPS DE SÉCHAGE), QUICK DRY (SÉCHAGE RAPIDE) et AIR FLUFF (AIR FROID). Cette fonction n'est pas disponible avec les cycles Sensor Dry (Séchage par capteur) car le temps de séchage réel est déterminé en détectant le niveau d'humidité actuel.</p>
06 Wrinkle Prevent (Anti-froissage)	<p>La fonction Anti-froissage assure environ 180 minutes de rotation à froid par intermittence à la fin du cycle pour éviter de froisser le linge. Appuyez sur Wrinkle Prevent (Anti-froissage) pour activer cette fonction. Le linge est sec et vous pouvez le retirer à tout moment pendant le cycle Anti-froissage.</p>
07 Eco Dry (Séchage Éco)	<p>Cette fonction est disponible avec NORMAL et TIME DRY (TEMPS DE SÉCHAGE). Avec la fonction Séchage Éco activée, le séchage dure plus longtemps mais la consommation d'énergie est réduite.</p> <p>Le temps de séchage peut être allongé jusqu'à 3 fois par rapport à la normale, en fonction de la température et de la charge. La fonction Séchage Éco est activée par défaut.</p>
08 Damp Alert (Alerte d'humidité)	<p>Cette alerte est disponible pour tous les cycles Sensor Dry (Séchage par capteur) sauf pour ACTIVEWEAR (VÊTEMENTS QUOTIDIENS). Les niveaux de séchage disponibles sont Normal, More (Fort) et Extra (Très fort).</p> <p>Si le linge contient différents tissus, le témoin de la fonction Damp Alert (Alerte d'humidité) clignote lorsque le niveau de séchage moyen du linge est de 80 %. Cela vous permet de prendre les vêtements que vous ne souhaitez pas entièrement secs ou qui sèchent rapidement hors du sèche-linge tout en permettant aux autres de continuer à sécher.</p>

Opérations

09 Drum Light (Éclairage du tambour) (pour les modèles DVE(G)45R6300* uniquement)	Appuyez dessus pour éteindre et allumer l'éclairage intérieur. L'éclairage reste allumé pendant 2 minutes après s'être allumé, que l'appareil soit sous ou hors tension ou que le hublot soit fermé ou ouvert, puis il s'éteint automatiquement.
10 Adjust Time (Réglage du temps)	Vous pouvez modifier la durée réglée pour le cycle sélectionné. Cette fonction est disponible uniquement avec TIME DRY (TEMPS DE SÉCHAGE) , QUICK DRY (SÉCHAGE RAPIDE) et AIR FLUFF (AIR FROID) . Pour modifier la durée du cycle, appuyez sur Adjust Time (Réglage du temps) ^ ou sur Adjust Time (Réglage du temps) v, jusqu'à ce que la durée souhaitée s'affiche.
11 Smart Control (modèles DVE45R6300* uniquement) / Smart Monitor (modèles DVG45R6300* uniquement)	Après avoir raccordé le sèche-linge à tambour à votre réseau domestique à l'aide de l'application SmartThings, vous pouvez contrôler ou surveiller le sèche-linge à distance. Une fois la fonction activée, le témoin de la fonction Smart Control (Smart Monitor) clignote. Le sèche-linge passe en mode d'attente et est prêt à recevoir les commandes à distance.
12 Marche/Arrêt	Appuyez pour allumer/éteindre le sèche-linge.
13 Départ/Pause (Hold to Start (maintenir enfoncé pour commencer))	Maintenez ce bouton enfoncé pour démarrer le fonctionnement, ou appuyez sur ce bouton pour arrêter l'opération.









REMARQUE

Si des articles sont très emmêlés à la sortie du lave-linge, ne les mettez pas au sèche-linge. Ils peuvent réduire l'efficacité de séchage du sèche-linge ou provoquer l'ouverture du hublot. Nous vous recommandons de les démêler avant de les mettre dans le sèche-linge. De même, ne mettez pas d'objets sur le sèche-linge, en particulier sur le panneau de commande.

ATTENTION

Ne vaporisez pas d'eau directement sur le panneau de commande. Cela pourrait entraîner une défaillance du système.

Description des icônes

	Séchage par capteur	Cette icône apparaît lorsque le sèche-linge utilise le cycle qui détecte le taux d'humidité interne afin de déterminer le temps de séchage.
	Vérification du filtre	Cette icône s'affiche après chaque utilisation afin de vous rappeler de nettoyer le filtre à peluches. Nettoyez le filtre à peluches avant chaque cycle et assurez-vous que le filtre est correctement inséré avant de lancer un cycle.
	Capteur de ventilation (modèles DVE(G)45R6300* uniquement)	Le sèche-linge est équipé d'un capteur de ventilation qui détecte et vous prévient lorsque les conduits doivent être nettoyés. Le voyant  vous indique l'état du conduit.
	Vapeur	Cette icône apparaît lorsque le sèche-linge effectue un processus à la vapeur. Le sèche-linge vaporise de l'eau dans le tambour pour désodoriser les vêtements et réduire l'électricité statique et les faux plis.
	Sécurité enfant	Cette icône indique que la fonction Sécurité enfant est activée. Pour plus d'informations sur la fonction Sécurité enfant, reportez-vous en page 50.
	Désactivation de l'alarme	Cette icône indique que l'alarme est désactivée. Pour plus d'informations sur la fonction Désactivation de l'alarme, reportez-vous en page 52.
	Wi-Fi (modèles DVE(G)45R6300* uniquement)	Cette icône indique que le sèche-linge est connecté au réseau Wi-Fi.

Opérations

Étapes simples pour commencer

1. Appuyez sur le bouton **Marche/Arrêt** pour allumer le sèche-linge.
2. Faites tourner le **sélecteur de cycle** pour sélectionner un cycle.
3. Modifiez les paramètres du cycle (**Dryness (Séchage)**, **Temp.** et **Time (Durée)**) selon les besoins.
4. Sélectionnez les options souhaitées selon ce dont vous avez besoin.
5. Maintenez appuyé **Départ/Pause (Hold to Start (maintenir enfoncé pour commencer))**.

Pour changer de cycle pendant l'utilisation

1. Appuyez sur **Départ/Pause (Hold to Start (maintenir enfoncé pour commencer))** pour interrompre le fonctionnement.
2. Sélectionnez un autre cycle et répétez les étapes 2 à 4 ci-dessus, le cas échéant.
3. Maintenez appuyé **Départ/Pause (Hold to Start (maintenir enfoncé pour commencer))** pour démarrer le nouveau cycle.

Présentation des cycles

Cycles standards

Cycle	Description
NORMAL	Pour la plupart des tissus y compris le coton et le lin. Si le cycle Normal est sélectionné, la fonction Séchage Éco est activée par défaut. Pour en savoir plus, reportez-vous au chapitre Séchage Éco de la section « Panneau de commande ».
HEAVY DUTY (GRAND RENDEMENT)	Pour le séchage du linge composé de tissus épais, tels que les jeans, le velours côtelé ou les vêtements de travail avec un chauffage à haute température.
BEDDING (DRAPS)	Pour les objets volumineux, comme les couvertures, les draps et les couettes.
PERM PRESS (INFROISSABLES)	Pour le séchage automatique des tissus infroissables en coton, synthétiques, en laine et faciles à repasser.
STEAM SANITIZE (STÉRILISATION VAPEUR)⁺	Utilisez ce cycle pour stériliser le linge en appliquant de la vapeur et une température élevée sur le tissu. Ce cycle peut assouplir les vêtements et réduire les odeurs. Vérifiez que la charge de linge est humide ou partiellement humide avant de lancer ce cycle.
REFRESH (RAFRAÎCHIR)	Utilisez ce cycle pour éliminer les faux-plis et réduire les odeurs pour des charges de un à quatre articles. Lorsque ce cycle est sélectionné, une faible quantité d'eau est vaporisée dans le tambour du sèche-linge, quelques minutes après le début du cycle de séchage à chaud. Avant de retirer le linge, assurez-vous que la charge de linge est sèche.
DELICATES (DÉLICAT)	Pour les vêtements sensibles à la chaleur à une faible température de séchage.
ACTIVEWEAR (VÊTEMENTS QUOTIDIENS) (modèles DVE(G)45R6300* uniquement)	Pour laver les vêtements de sports et d'extérieur tels que les maillots, les shorts, les vestes imperméables et autres. Les tissus épais comme une fermeture éclair ou le Velcro d'une veste, ou des chaussettes de sport peuvent ne pas être complètement séchés.
DOWNLOADED (TÉLÉCHARGÉ) (modèles DVE(G)45R6300* uniquement)	<ul style="list-style-type: none">• Sélectionnez cette option pour choisir parmi d'autres cycles dans l'application SmartThings sur votre smartphone.• Cycles disponibles : TOWELS (SERVIETTES), SANITIZE (STÉRILISATION), SHIRTS (CHEMISES), JEANS, WOOL (LAINE), ECO NORMAL (ÉCO-NORMAL), SMALL LOAD (FAIBLE CHARGE), LOW TEMP. (BASSE TEMPÉRATURE), RACK DRY (GRILLE DE SÉCHAGE), WRINKLE AWAY (ANTI-FROISSAGE)• Réglage d'usine : WRINKLE AWAY (ANTI-FROISSAGE)

Opérations

Séchage manuel

Vous pouvez modifier les paramètres de séchage manuellement selon vos préférences.

Cycle	Description
QUICK DRY (SÉCHAGE RAPIDE)	Un cycle de séchage rapide qui dure 30 minutes.
TIME DRY (TEMPS DE SÉCHAGE)	Vous pouvez spécifier une durée de cycle en minutes. Si TEMPS DE SÉCHAGE est sélectionné, la fonction Séchage Éco est activée par défaut. Pour en savoir plus, reportez-vous au chapitre Séchage Éco de la section « Panneau de commande ».
AIR FLUFF (AIR FROID)	Fait tourner le linge avec de l'air à température ambiante.

Tableau des cycles

REMARQUE

Pour un résultat optimal, respectez ces recommandations de volume de charge pour chaque cycle de séchage.

- Charge importante : Remplissez le tambour aux 3/4 environ. Au-delà de cette limite, n'ajoutez pas d'articles supplémentaires afin que le linge tourne librement.
- ◐ Charge moyenne : Remplissez le tambour à 1/2 environ.
- Petite charge : Remplissez le tambour de 3 à 5 articles (pas plus du 1/4).

Cycle	Articles recommandés	Volume de charge	Niveau de séchage
NORMAL	Coton, vêtements de travail, lin, charges mixtes	●	Séchage normal (réglable)
HEAVY DUTY (GRAND RENDEMENT)	Tissus lourds, tels que les jeans, les velours côtelés ou les vêtements de travail lourds	●	Séchage normal (réglable)
BEDDING (DRAPS)	Objets volumineux, tels que les couvertures, les draps, les couettes, les oreillers	●	Séchage normal (réglable)
PERM PRESS (INFROISSABLES)	Chemises, tissus synthétiques, lainages, tissus infroissables en coton, tissus infroissables	◐	Séchage normal (réglable)
STEAM SANITIZE (STÉRILISATION VAPEUR) [†]	Literie, rideaux, vêtements d'enfant	◐	Séchage très fort (non réglable)
REFRESH (RAFRAÎCHIR)	Chemises, pantalons, couettes, oreillers	○	-
DELICATES (DÉLICAT)	Sous-vêtements, chemisiers, lingerie	◐	Séchage normal (réglable)
ACTIVEWEAR (VÊTEMENTS QUOTIDIENS) (modèles DVE(G)45R6300* uniquement)	Vêtements imperméables, habits de scène, de sport (maximum : 4 lb)	◐	Séchage normal (non réglable)
QUICK DRY (SÉCHAGE RAPIDE)	Petites charges	◐	-
TIME DRY (TEMPS DE SÉCHAGE)	Toute charge	●	-
AIR FLUFF (AIR FROID)	Mousse, caoutchouc, matières plastiques	○	-

Opérations

REMARQUE

● : réglage par défaut, ○ : peut être sélectionné

Cycle	Fonctions (contrôle de la température)					Time (Durée)
	High (Élevée)	⋮	⋮	⋮	Low (Basse)	
NORMAL		●				
HEAVY DUTY (GRAND RENDEMENT)	●					
BEDDING (DRAPS)	●					
PERM PRESS (INFROISSABLES)			●			
STEAM SANITIZE (STÉRILISATION VAPEUR) ⁺	●					
REFRESH (RAFRAÎCHIR)	●					
DELICATES (DÉLICAT)					●	
ACTIVEWEAR (VÊTEMENTS QUOTIDIENS) (modèles DVE(G)45R6300* uniquement)		●				
QUICK DRY (SÉCHAGE RAPIDE)	●					○
TIME DRY (TEMPS DE SÉCHAGE)	●	○	○	○	○	○
AIR FLUFF (AIR FROID)						○

Cycle	Options				
	Adjust Time (Réglage du temps)	Damp Alert (Alerte d'humidité)	Eco Dry (Séchage Éco)	Anti Static (Anti-statique)	Wrinkle Prevent (Anti-froissage)
NORMAL		○	○	○	○
HEAVY DUTY (GRAND RENDEMENT)		○		○	○
BEDDING (DRAPS)		○			○
PERM PRESS (INFROISSABLES)		○		○	○
STEAM SANITIZE (STÉRILISATION VAPEUR) ⁺					○
REFRESH (RAFRAÎCHIR)					○
DELICATES (DÉLICAT)		○		○	○
ACTIVEWEAR (VÊTEMENTS QUOTIDIENS) (modèles DVE(G)45R6300* uniquement)					○
QUICK DRY (SÉCHAGE RAPIDE)	○				○
TIME DRY (TEMPS DE SÉCHAGE)	○		○	○	○
AIR FLUFF (AIR FROID)	○				○

Guide de séchage

La meilleure méthode pour faire sécher du linge est de suivre les instructions indiquées sur l'étiquette d'entretien. Si aucune instruction de séchage n'est fournie, reportez-vous au tableau suivant pour référence.

Articles	Description
Couvre-lits et couettes	Suivez les instructions figurant sur l'étiquette d'entretien ou séchez à l'aide du cycle Draps. <ul style="list-style-type: none">Assurez-vous que l'article est complètement sec avant de l'utiliser ou de le ranger.Il est parfois nécessaire de repositionner l'article dans le tambour pour assurer un séchage homogène.
Blankets (Couvertures)	Utilisez le cycle Normal et ne séchez qu'une seule couverture à la fois pour optimiser l'action du tambour. <ul style="list-style-type: none">Assurez-vous que les couvertures sont complètement sèches avant de les utiliser ou de les ranger.
Rideaux et tentures	Utilisez INFROISSABLES et le paramètre de température Medium (Moyenne) pour réduire le froissage. <ul style="list-style-type: none">Faites sécher vos rideaux et tentures par petites charges pour des résultats optimaux et retirez-les du sèche-linge dès que possible après la fin du cycle.
Couches en tissu	Utilisez le cycle Normal et le réglage de température Medium (Moyenne) pour les couches ouatées et duveteuses.
Articles garnis de duvet (vestes, sacs de couchage, couettes, etc.)	Utilisez le cycle Normal et le réglage de température Medium (Moyenne). <ul style="list-style-type: none">Ajoutez quelques serviettes sèches pour absorber l'humidité et réduire le temps de séchage.
Caoutchouc mousse (tapis, peluches, épaulettes, etc.)	Ne faites pas sécher ces articles à chaud. ⚠ AVERTISSEMENT Sécher un article à base de caoutchouc à chaud risque de l'endommager ou de provoquer un incendie.
Oreillers	Utilisez le cycle Normal. <ul style="list-style-type: none">Ajoutez quelques serviettes sèches et une paire de baskets propres pour favoriser l'action du tambour et dépelucher les oreillers.Ne faites pas sécher des oreillers à base de capoc ou de mousse avec un cycle de séchage à chaud.
Plastiques (rideaux de douche, bâches, etc.)	Utilisez le cycle TEMPS DE SÉCHAGE et le réglage de température Low (Basse) en fonction des symboles figurant sur l'étiquette d'entretien.

Opérations

AVERTISSEMENT

Ne faites pas sécher :

- des articles en fibre de verre (rideaux, tentures, etc.)
- des lainages, sauf indication contraire sur l'étiquette
- des articles imprégnés d'huile végétale ou alimentaire

Fonctions spéciales

Sécurité enfant

La fonction Sécurité enfant empêche les enfants de jouer avec le sèche-linge. Lorsque la fonction Sécurité enfant est activée, seul le bouton **Marche/Arrêt** est opérationnel.

Pour activer/désactiver la fonction Sécurité enfant, maintenez les boutons **Dryness (Séchage)** et **Temp.** simultanément enfoncés pendant 3 secondes.

REMARQUE

Une fois la fonction Sécurité enfant activée, elle reste active même après le redémarrage du sèche-linge. Si les boutons, à l'exception du bouton **Marche/Arrêt**, ne répondent pas, vérifiez le voyant Sécurité enfant. Si le voyant est allumé, suivez les consignes ci-dessus pour désactiver la fonction Sécurité enfant.

Smart Care

Pour activer cette fonction, vous devez d'abord télécharger l'application SmartThings sur Play Store ou sur App Store et l'installer sur un appareil mobile disposant d'une fonction appareil photo. La fonction Smart Care a été optimisée pour les appareils des séries Galaxy et iPhone (modèles applicables uniquement).

1. Lorsque le sèche-linge détecte un problème à vérifier, un code d'information apparaît à l'écran. Pour passer en mode Smart Care, appuyez sur le bouton **Wrinkle Prevent (Anti-froissage)** et maintenez-le enfoncé pendant 3 secondes.
2. Le sèche-linge démarre la procédure d'auto-diagnostic et affiche un code d'information si un problème est détecté.
3. Exécutez l'application SmartThings sur votre appareil mobile, puis appuyez légèrement sur **Smart Care**.
4. Placez l'appareil mobile à proximité du sèche-linge de sorte que l'appareil photo du smartphone et le sèche-linge soient face à face. L'application reconnaît automatiquement le code d'information.
5. Une fois le code d'information correctement reconnu, l'application fournit des informations détaillées concernant le problème ainsi que les solutions applicables.

REMARQUE

- Le nom de la fonction, Smart Care, peut varier selon la langue.
- Si de la lumière est réfléchi sur l'écran du sèche-linge, l'application peut ne pas reconnaître le code d'information.
- Si l'application ne reconnaît pas le code d'information, vous pouvez le saisir manuellement sur l'application.

Opérations

Désactivation de l'alarme

Vous pouvez activer ou désactiver l'alarme. Lorsque l'alarme est désactivée, la mélodie de fin de cycle et le signal sonore d'arrêt ne sont pas émis. Cependant, les autres sons restent actifs.

- Pour le modèle DVE(G)45R6300*, maintenez le bouton **Drum Light (Éclairage du tambour)** enfoncé pendant 3 secondes.
- Pour le modèle DVE(G)45R6100*, appuyez sur le bouton **Damp Alert (Alerte d'humidité)** et maintenez-le enfoncé pendant 3 secondes.
- Votre réglage sera maintenu même après l'arrêt du sèche-linge. Vous pouvez réactiver l'alarme en maintenant le même bouton enfoncé pendant 3 secondes.

Éclairage du tambour (pour les modèles DVE(G)45R6100* uniquement)

Maintenez le bouton **Eco Dry (Séchage Éco)** enfoncé pendant 3 secondes pour allumer ou éteindre l'éclairage du tambour.

REMARQUE

L'éclairage reste allumé pendant 2 minutes après s'être allumé, que l'appareil soit sous ou hors tension ou que le hublot soit fermé ou ouvert, puis il s'éteint automatiquement.

Cycle TÉLÉCHARGÉ (modèles DVE(G)45R6300* uniquement)

Vous pouvez choisir parmi d'autres cycles dans l'application SmartThings sur votre smartphone.

1. Sur votre smartphone, sélectionnez le cycle **DOWNLOADED (TÉLÉCHARGÉ)**.
Vous pouvez choisir parmi TOWELS (SERVIETTES), SANITIZE (STÉRILISATION), SHIRTS (CHEMISES), JEANS, WOOL (LAINE), ECO NORMAL (ÉCO-NORMAL), SMALL LOAD (FAIBLE CHARGE), LOW TEMP. (BASSE TEMPÉRATURE), RACK DRY (GRILLE DE SÉCHAGE) et WRINKLE AWAY (ANTI-FROISSAGE).
2. Appuyez sur le bouton **Marche/Arrêt** de votre sèche-linge.
3. Faites tourner le **sélecteur de cycle** pour sélectionner le cycle **DOWNLOADED (TÉLÉCHARGÉ)**.
4. Maintenez appuyé **Départ/Pause (Hold to Start (maintenir enfoncé pour commencer))**.

Bixby (modèles DVE(G)45R6300* uniquement)

Avec Bixby, vous pouvez facilement profiter d'une grande variété de services et contenus, mais aussi bénéficier de services de personnalisation intelligents. (La fonction de commande vocale n'est prise en charge que sur certains appareils. Pour les appareils ne prenant pas en charge la commande vocale, vous pouvez télécharger et vous connectez à l'application SmartThings sur n'importe quel appareil mobile Samsung prenant en charge la commande vocale, afin d'utiliser certaines des fonctions de l'appareil via la commande vocale.)



SmartThings (modèles DVE(G)45R6300* uniquement)

Connexion Wi-Fi

Sur votre smartphone, allez dans **Settings (Réglages)**, activez la connexion sans fil, puis sélectionnez votre point d'accès.

- L'appareil prend en charge les protocoles Wi-Fi 2,4 GHz.

Télécharger

Sur un marché d'applications (Google Play Store, Apple App Store, Samsung Galaxy Apps), trouvez l'application SmartThings en saisissant « SmartThings » comme terme de recherche. Téléchargez et installez l'application sur votre appareil.

REMARQUE

L'application est susceptible d'être modifiée sans préavis en vue d'améliorer sa performance.

Connexion

Vous devez tout d'abord vous connecter à SmartThings à l'aide de votre compte Samsung. Pour créer un nouveau compte Samsung, suivez les instructions affichées sur l'application. Vous n'avez pas besoin d'une application distincte pour créer votre compte.

REMARQUE

Si vous disposez déjà d'un compte Samsung, utilisez-le pour vous connecter. Un utilisateur de smartphone Samsung enregistré se connecte automatiquement.

Pour enregistrer votre appareil sur SmartThings

1. Vérifiez que votre smartphone est connecté à un réseau sans fil. Si ce n'est pas le cas, allez dans **Settings (Réglages)**, activez la connexion sans fil, puis sélectionnez votre point d'accès.
2. Ouvrez **SmartThings** sur votre smartphone.
3. Si le message « A new device is found » (Nouvel appareil détecté) s'affiche, sélectionnez **Add (Ajouter)**.
4. Si aucun message n'apparaît, sélectionnez **+** puis votre appareil dans la liste des appareils disponibles. Si votre appareil ne figure pas dans la liste, sélectionnez **Device Type (Type d'appareil) > Specific Device Model (Modèle d'appareil spécifique)**, puis ajoutez votre appareil manuellement.
5. Enregistrez votre appareil sur l'application SmartThings.
 - a. Ajoutez votre appareil à SmartThings Vérifiez que votre appareil est connecté à SmartThings.
 - b. Une fois l'enregistrement terminé, le nom de votre appareil apparaît sur votre smartphone.



Maintenance

Gardez le sèche-linge propre afin de garantir les meilleures performances et de rallonger sa durée de vie.

AVERTISSEMENT

La mise à la terre de certaines pièces internes n'a volontairement pas été effectuée ; ces éléments peuvent donc présenter un risque d'électrocution (lors de l'entretien uniquement).

Technicien de maintenance - Ne touchez pas les pièces suivantes lorsque l'appareil est sous tension : Panneau de commande et vanne d'arrivée d'eau.

Nettoyage

Panneau de commande

- Nettoyez-le avec un chiffon doux et humide. N'utilisez pas de produits abrasifs.
- Ne vaporisez pas de produits de nettoyage liquides directement sur l'écran du sèche-linge.
- Certains détachants pour tissu peuvent endommager le panneau de commande.
- Lors de l'utilisation d'agents de nettoyage liquides, appliquez-les sur le chiffon de nettoyage. Ne les appliquez pas directement sur le sèche-linge. Essuyez immédiatement toute éclaboussure ou vaporisation en excès.

Tambour

- Éliminez toute tache présente sur le tambour à l'aide d'un détachant universel.
- Frottez ensuite avec une vieille serviette ou un chiffon, pour retirer toute tâche restante ou substance de nettoyage. Les taches peuvent être encore visibles, mais n'affecteront pas les charges suivantes.

Tambour à revêtement par pulvérisation

Pour nettoyer le tambour à revêtement par pulvérisation, utilisez un chiffon humide imprégné d'un nettoyant doux et non abrasif adapté aux surfaces aisément altérées.

Retirez les résidus de détergent et essuyez avec un chiffon propre.

Extérieur du sèche-linge

- Nettoyez-le avec un chiffon doux et humide. N'utilisez pas de produits abrasifs.
- Protégez la surface des objets pointus.
- N'entrez pas d'objets lourds (ex. : baril de lessive) ou à arêtes tranchantes sur le sèche-linge. Ceci risquerait de rayer ou d'endommager le capot supérieur du sèche-linge.
- L'habillage de l'ensemble du sèche-linge est lisse et brillant. Faites attention à ne pas rayer ou endommager la surface.

Système d'évacuation

- Vérifiez et nettoyez le système d'évacuation de façon régulière afin de maintenir des performances optimales.
- La hotte externe doit être nettoyée fréquemment pour garantir une bonne circulation de l'air.

Dépannage

Contrôles à effectuer

Si le sèche-linge ne fonctionne pas normalement, vérifiez tout d'abord la liste des problèmes dans le tableau ci-dessous et essayez les solutions proposées.

Problème	Action
Ne fonctionne pas.	<ul style="list-style-type: none">• Assurez-vous que le hublot est bien fermé.• Vérifiez que le cordon d'alimentation est branché sur une prise électrique opérationnelle.• Vérifiez le disjoncteur et les fusibles de votre domicile.• Maintenez à nouveau enfoncé le bouton Départ/Pause (Hold to Start (maintenir enfoncé pour commencer)) en cas d'ouverture du hublot en cours de cycle.• Nettoyez le filtre à peluches.
Ne chauffe pas.	<ul style="list-style-type: none">• Vérifiez le disjoncteur et les fusibles de votre domicile.• Certains cycles ne nécessitent pas de chaleur. Vérifiez à nouveau le cycle sélectionné.• Pour un sèche-linge à gaz, assurez-vous que l'alimentation en gaz est ouverte.• Nettoyez le filtre à peluches et le conduit d'évacuation.• Le sèche-linge est peut-être en phase de refroidissement du cycle.• Désactivez l'option Séchage Éco des cycles NORMAL ou TIME DRY (TEMPS DE SÉCHAGE). Lorsque l'option Séchage Éco est activée, le sèche-linge effectue un processus de séchage à froid en début de cycle afin de réduire la consommation d'énergie. Le processus de séchage à froid n'utilise pas d'air chauffé. Vous aurez donc peut-être l'impression que le sèche-linge ne chauffe pas, mais c'est tout à fait normal.

Dépannage

Problème	Action
Ne sèche pas.	<ul style="list-style-type: none">• Vérifiez tous les points mentionnés ci-dessus, plus...• Vérifiez que la hotte extérieure s'ouvre et se ferme sans problème.• Vérifiez que des peluches ne se sont pas accumulées dans le système d'évacuation. Le conduit doit être inspecté et nettoyé une fois par an.• Utilisez un conduit d'évacuation métallique rigide de 4 pouces.• Évitez de surcharger le tambour 1 charge de linge lavée = 1 charge de linge à sécher.• Séchez le linge épais et le linge léger séparément.• Il est parfois nécessaire de repositionner dans le sèche-linge les articles volumineux, comme les couvertures ou les couettes, pour assurer un séchage homogène.• Vérifiez que votre sèche-linge essore correctement le linge et évacue la quantité d'eau adéquate.• La charge de linge est peut-être insuffisante pour que l'action du tambour soit efficace. • Ajoutez quelques serviettes et relancez le cycle.• La charge de linge est peut-être trop importante pour que l'action du tambour soit efficace. Retirez du linge et relancez le sèche-linge.• Nettoyez le filtre à peluches.
Fait du bruit.	<ul style="list-style-type: none">• Vérifiez le linge à la recherche de pièces de monnaie, de boutons dé cousus, de clous, etc. Retirez aussitôt ces objets.• Il est normal d'entendre la mise en marche et l'arrêt du robinet de gaz du sèche-linge (le cas échéant) ou du système de chauffage, tout au long du cycle de séchage.• Vérifiez que le sèche-linge est correctement mis à niveau, comme indiqué dans les consignes d'installation.• Il est normal que le sèche-linge émette un « bourdonnement », du fait de la grande vitesse de déplacement de l'air à travers le tambour du sèche-linge, le ventilateur et le système d'évacuation.

Problème	Action
Ne sèche pas le linge uniformément.	<ul style="list-style-type: none"> • Les coutures, les poches et les autres zones épaisses peuvent ne pas sécher complètement alors que le reste du linge a atteint le niveau de séchage sélectionné. Ceci est tout à fait normal. Vous pouvez choisir un niveau de séchage plus haut ou un cycle impliquant un plus haut niveau de séchage. • Si vous faites sécher un article épais avec une charge légère, par exemple une serviette de toilette avec des draps, il est possible que l'article le plus lourd ne soit pas complètement sec quand le reste du linge atteindra le niveau de séchage sélectionné. • Pour de meilleurs résultats de séchage, séchez le linge épais et le linge léger séparément.
Présence d'odeurs.	<ul style="list-style-type: none"> • Les odeurs ménagères (peinture, vernis, détachant, etc.) peuvent entrer dans le sèche-linge via l'air ambiant. Cette situation est normale puisque le sèche-linge aspire l'air de la pièce, le chauffe, l'introduit dans le tambour, puis l'éjecte à l'extérieur. • Lorsque ces odeurs persistent dans l'air, aérez longuement la pièce avant d'utiliser le sèche-linge. • Sélectionnez le cycle REFRESH (RAFRAÎCHIR). Si les odeurs persistent, lavez et séchez de nouveau les articles.
Les vêtements sont pelucheux.	<ul style="list-style-type: none"> • Assurez-vous que le filtre est propre avant chaque cycle. Pour les vêtements accumulant naturellement des peluches, nettoyez le filtre durant le cycle. • Certains textiles produisent une grande quantité de peluches (ex. : serviettes en coton). C'est pourquoi ces articles doivent être séchés séparément des textiles qui attirent les peluches (ex. : pantalon en velours). • Si la quantité de linge est trop importante, répartissez la charge en plusieurs lots pour le séchage. • Vérifiez soigneusement les poches des vêtements avant de les sécher. • Retirez les peluches présentes à l'intérieur du tambour avant de faire sécher le linge.
Le linge est quand-même froissé après un cycle Wrinkle Prevent (Wrinkle Away, Wrinkle Release) (Anti-froissage).	<ul style="list-style-type: none"> • Chargez entre 1 et 4 articles pour plus d'efficacité. • Allégez la charge. Faites sécher des articles similaires. • Retirez les articles immédiatement après la fin du cycle de séchage.

Dépannage

Problème	Action
De l'eau s'écoule par la buse au démarrage d'un cycle Vapeur.	<ul style="list-style-type: none">Il s'agit de la condensation de la vapeur. Ce phénomène s'arrête tout seul en peu de temps.
L'eau vaporisée est invisible lors des cycles Vapeur.	<ul style="list-style-type: none">Il est difficile de voir les minuscules gouttes d'eau vaporisées lorsque le hublot est fermé.
Durée prolongée.	<ul style="list-style-type: none">La fonction Sensor Dry (Séchage par capteur) calcule automatiquement le taux d'humidité du linge et arrête le sèche-linge une fois le degré souhaité de séchage (Séchage fort à Légèrement humide) atteint. La durée de séchage peut varier en fonction du type et de la quantité de linge. Consultez le tableau des cycles pour référence.

Si un problème persiste, prenez contact avec un centre de réparation Samsung local.

Codes d'erreur

Si le sèche-linge ne parvient pas à fonctionner, vous pouvez voir un code d'information affiché à l'écran d'affichage. Pour déterminer ce que vous devez faire, vérifiez la liste de codes figurant dans le tableau ci-dessous, puis essayez les actions suggérées.

Code	Action
dC	Faire fonctionner le sèche-linge lorsque le hublot est ouvert. <ul style="list-style-type: none">Assurez-vous que le hublot est correctement fermé.Assurez-vous que le linge n'est pas pris dans le hublot.
FC	Fréquence de source d'alimentation non valide. <ul style="list-style-type: none">Essayez de relancer le cycle.Si ce code d'information subsiste, prenez contact avec un centre de réparation Samsung.
AC	Problème de commande électronique (Communication non valide) <ul style="list-style-type: none">Prenez contact avec un centre de réparation Samsung.
HC	Contrôle du chauffage à haute température. <ul style="list-style-type: none">Nettoyez le filtre à peluches.Si ce code d'information subsiste, prenez contact avec un centre de réparation Samsung.
9C1	Le contrôle électronique doit être vérifié. <ul style="list-style-type: none">Vérifiez que l'alimentation est correcte.Si le code d'information subsiste, prenez contact avec un centre de réparation Samsung.
tC	La résistance de la thermistance1 est très faible ou très élevée. <ul style="list-style-type: none">Vérifiez si le filtre à peluches est bloqué.Vérifiez si le système d'aération est limité.Si ce code d'information subsiste, prenez contact avec un centre de réparation Samsung.
tC5	La résistance de la thermistance2 est très faible ou très élevée. <ul style="list-style-type: none">Vérifiez si le filtre à peluches est bloqué.Vérifiez si le système d'aération est limité.Si ce code d'information subsiste, prenez contact avec un centre de réparation Samsung.
dF	Interrupteur du hublot incorrect. <ul style="list-style-type: none">Prenez contact avec un centre de réparation Samsung.





Si un code d'information demeure affiché sur l'écran, communiquez avec un centre de réparation Samsung.

Caractéristiques techniques

Tableau des symboles textiles

Les symboles suivants fournissent des conseils d'entretien des vêtements. Les étiquettes d'entretien des vêtements incluent des symboles relatifs au séchage, au blanchiment, au repassage et au nettoyage à sec. L'utilisation de ces symboles garantit la cohérence des informations entre les fabricants de vêtements (articles domestiques ou importés). Suivez les instructions sur l'étiquette d'entretien afin d'optimiser la durée de vie de votre linge et d'éviter des problèmes au lavage.

Cycle de lavage

	Normal
	Infroissable / Anti-froissage
	Délicat
	Lavage main




Température de l'eau

...	Chaud
..	Tiède
.	Froide

REMARQUE

Le tableau Température de l'eau répertorie les températures appropriées de l'eau de lavage pour divers articles. La plage de températures est comprise entre 106 et 126 °F (41 et 52 °C) pour Hot (Chaude), entre 84 et 106 °F (29 et 41 °C) pour Warm (Tiède) et entre 61 et 84 °F (16 et 29 °C) pour Cold (Froide). (La température de l'eau de lavage doit être d'au moins 61 °F (16 °C) pour activer les agents nettoyants et obtenir un lavage efficace.)




Agent de blanchiment

	Tout type (si nécessaire)
	Agent de blanchiment non chloré (non décolorant) uniquement (si nécessaire)
	Séchage en machine

Normal

	Infroissable / Anti-froissage
	Délicat


Consignes spéciales

	Séchage sur corde/en suspension
	Séchage sans essorage
	Séchage à plat

Température






	Élevée
	Moyenne
	Basse
	Toutes températures
	Sans chaleur/À l'air libre

Températures de repassage facile ou vapeur






	Élevée
	Moyenne
	Basse

Symboles d'avertissement pour le lavage

	Ne pas laver
---	--------------

	Ne pas tordre
	Pas de chlorage
	Séchage en machine interdit
	Pas de vapeur (ajoutée au fer à repasser)
	Pas de repassage

Nettoyage à sec

	Nettoyage à sec
	Pas de nettoyage à sec
	Séchage sur corde/en suspension
	Séchage sans essorage
	Séchage à plat

Protection de l'environnement

Cet appareil a été fabriqué à partir de matériaux recyclables. Si vous décidez de le jeter, veuillez respecter les normes locales en matière d'évacuation des déchets. Coupez le cordon d'alimentation de façon à ce que l'appareil ne puisse pas être raccordé à une source électrique. Enlevez le hublot pour que des animaux et des jeunes enfants ne se retrouvent pas piégés à l'intérieur de l'appareil.

Caractéristiques techniques

Fiche de spécifications

Type		Sèche-linge à chargement frontal
Capacité (pi ³)		7,5
Pression d'eau (psi (kPa))		20 à 116 (137 à 800)
Poids	lb (kg)	123,5 (56,0)
Puissance de chauffe	Électrique (W)	5300
	À gaz (BTU/h)	20000
Consommation (W)		5400

GARANTIE LIMITÉE (ÉTATS-UNIS)

SÈCHE-LINGE SAMSUNG

GARANTIE LIMITÉE POUR L'ACHETEUR-CONSOUMMATEUR INITIAL AVEC PREUVE D'ACHAT

Cet appareil de la marque SAMSUNG, fourni, distribué par SAMSUNG ELECTRONICS AMERICA, INC. (SAMSUNG) et livré neuf, dans son emballage d'origine à l'acheteur initial, est garanti par SAMSUNG contre tout défaut de fabrication relatif aux matériaux et à la qualité d'exécution, pour une période de garantie limitée, commençant à la date d'achat initial, de :

Un (1) an (pièces et main d'œuvre)

Cette garantie limitée ne s'applique qu'aux appareils achetés et utilisés aux États-Unis et qui ont été installés, utilisés et entretenus conformément aux instructions jointes ou fournies avec l'appareil. Pour bénéficier d'une intervention dans le cadre de la présente garantie, l'acheteur doit contacter la société SAMSUNG à l'adresse ou au numéro de téléphone indiqués ci-dessous, afin qu'elle détermine l'origine du problème et une procédure de réparation. Les interventions dans le cadre de la présente garantie peuvent être effectuées uniquement par un centre de réparation agréé SAMSUNG. Lors de la remise d'un appareil défectueux à SAMSUNG ou à un centre de réparation agréé SAMSUNG, l'acheteur est tenu de présenter la facture d'achat datée originale sur demande, à titre de preuve d'achat, pour pouvoir bénéficier d'une intervention dans le cadre de la présente garantie.

SAMSUNG assurera gratuitement une intervention à domicile au sein des États-Unis contigus durant la période de garantie, sous réserve de disponibilité des techniciens agréés SAMSUNG au sein de la zone géographique du client. Si l'intervention à domicile n'est pas possible, SAMSUNG peut, à sa propre discrétion, choisir de prendre à sa charge le transport aller/retour de l'appareil vers un centre de réparation agréé. Si l'appareil se trouve dans une zone où l'intervention par un technicien agréé SAMSUNG n'est pas possible, il se peut que vous deviez prendre en charge des frais de transport ou transporter l'appareil vers un centre de réparation agréé SAMSUNG pour le faire réparer.

Pour bénéficier du service à domicile, l'appareil doit être situé dans un emplacement accessible à notre personnel.

Durant la période de garantie applicable, un appareil sera réparé, remplacé ou remboursé à hauteur de son prix d'achat, à la seule discrétion de SAMSUNG. Il se peut que SAMSUNG utilise des pièces neuves ou reconditionnées pour réparer un appareil, ou remplace l'appareil par un appareil neuf ou reconditionné. Les pièces et appareils de rechange sont garantis pendant la partie restante de la période de garantie initiale de l'appareil, ou bien durant quatre-vingt-dix (90) jours, selon la période qui est la plus longue. Toutes les pièces et tous les appareils remplacés sont la propriété de SAMSUNG et vous devez les retourner à SAMSUNG.

GARANTIE LIMITÉE (ÉTATS-UNIS)

La présente garantie limitée couvre les vices de fabrication relatifs aux matériaux ou à la qualité d'exécution survenant dans le cadre d'une utilisation domestique normale et non commerciale de cet appareil et ne s'applique pas dans les cas suivants : dommages survenant lors du transport, de la livraison, de l'installation et de toute utilisation non conforme de l'appareil ; dommages causés par une modification ou altération non autorisée de l'appareil ; appareil dont le numéro de série d'origine a été effacé, dégradé, modifié d'une quelconque façon ou rendu difficile à lire ; dommages de nature esthétique notamment les rayures, bosses, éclats et autres dommages infligés à la finition de l'appareil ; dommages causés par une utilisation abusive ou inappropriée, par la prolifération d'insectes nuisibles, un accident, un incendie, une inondation ou d'autres catastrophes naturelles ; dommages causés par l'utilisation d'équipements, de systèmes, de services, de pièces, de fournitures, d'accessoires, d'applications, d'installations, de réparations, de câblages externes ou de connecteurs non fournis ou autorisés par SAMSUNG ; dommages causés par toute surtension, fluctuation ou courant/tension de ligne électrique incorrect(e) ; dommages causés par le non-respect des instructions d'utilisation et d'entretien de l'appareil ; intervention à domicile pour expliquer comment utiliser l'appareil ; et intervention visant à corriger une installation non conforme aux codes électriques ou de plomberie ou correction de l'installation électrique ou de plomberie du domicile (c.-à-d. câblage électrique du domicile, fusibles ou tuyaux d'arrivée d'eau). Le coût des réparations ou du remplacement dans ces circonstances faisant l'objet d'une exclusion sera à la charge du client.

Les interventions par un technicien agréé destinées à expliquer les fonctions, la maintenance ou l'installation de l'appareil ne sont pas couvertes par la présente garantie limitée. Veuillez prendre contact avec SAMSUNG au numéro figurant ci-dessous pour obtenir de l'aide sur l'une de ces questions.

EXCLUSION DES GARANTIES IMPLICITES

LES GARANTIES IMPLICITES, Y COMPRIS LES GARANTIES IMPLICITES DE QUALITÉ MARCHANDE OU D'ADÉQUATION À UN USAGE PARTICULIER, SONT LIMITÉES À UN AN OU À LA PLUS COURTE PÉRIODE AUTORISÉE PAR LA LOI. Certains États n'autorisent pas les limitations de durée d'une garantie implicite ; il se peut donc que les limitations ou exclusions spécifiées ci-dessus ne s'appliquent pas à votre cas. La présente garantie vous octroie des droits spécifiques, ainsi que d'autres variant d'un État à un autre.

LIMITE DE RECOURS

VOTRE SEUL RECOURS EXCLUSIF EST UNE RÉPARATION DE L'APPAREIL, UN REMPLACEMENT DE L'APPAREIL OU UN REMBOURSEMENT DU PRIX D'ACHAT, À LA DISCRÉTION DE SAMSUNG, COMME ACCORDÉ DANS LE CADRE DE LA PRÉSENTE GARANTIE LIMITÉE. SAMSUNG NE POURRA ÊTRE TENU RESPONSABLE DES DOMMAGES PARTICULIERS, ACCESSOIRES OU IMMATÉRIELS, NOTAMMENT MAIS SANS POUR AUTANT S'Y LIMITER LES TEMPS DE TRAJET DEPUIS LE LIEU DE TRAVAIL, LES FRAIS D'HÔTEL ET/OU REPAS EN RESTAURANT, LES DÉPENSES DE RÉNOVATION, LES PERTES DE REVENUS OU DE BÉNÉFICES, L'IMPOSSIBILITÉ DE RÉALISER DES ÉCONOMIES OU AUTRES BÉNÉFICES QUELLE QUE SOIT LA THÉORIE JURIDIQUE SUR LAQUELLE LA RÉCLAMATION EST FONDÉE, ET CE MÊME SI SAMSUNG A ÉTÉ AVERTI DE LA POSSIBILITÉ DE TELS DOMMAGES. Certains États n'autorisent pas les exclusions ou limitations relatives aux dommages accessoires ou immatériels ; il se peut donc que les limitations ou exclusions spécifiées ci-dessus ne s'appliquent pas à votre cas. La présente garantie vous octroie des droits spécifiques, ainsi que d'autres variant d'un État à un autre.

SAMSUNG ne garantit pas que l'appareil sera exempt de tout problème ou qu'il fonctionnera sans interruption. Aucune garantie, qu'elle soit donnée par un autre tiers, une autre entreprise ou une autre personne morale, ne pourra être considérée comme un engagement vis-à-vis de SAMSUNG.

Pour bénéficier d'un service d'assistance couvert par votre garantie, contactez SAMSUNG à l'adresse suivante :

Samsung Electronics America, Inc.

85 Challenger Road

Ridgefield Park, NJ 07660

1-800-SAMSUNG (726-7864)

www.samsung.com/us/support

Garantie (CANADA)

SÈCHE-LINGE SAMSUNG

GARANTIE LIMITÉE À L'ACHETEUR INITIAL

Ce produit de la marque SAMSUNG, tel que fourni et distribué par SAMSUNG ELECTRONICS CANADA, INC. (SAMSUNG) et livré neuf, s'accompagne d'une garantie de SAMSUNG contre tout vice de fabrication au niveau des pièces et de la main d'œuvre pendant une période limitée de :

- Un (1) an (pièces et main d'œuvre)

Cette limite de garantie s'applique à compter de la date d'acquisition et couvre uniquement les produits achetés et utilisés au Canada.

Pour bénéficier de réparations dans le cadre de la présente garantie, l'acheteur doit contacter la société SAMSUNG afin qu'elle détermine l'origine du problème et une procédure de réparation.

Les services de garantie peuvent être pris en charge uniquement par un centre de service agréé SAMSUNG.

Lors de la remise d'un produit défectueux à SAMSUNG ou à un centre de service agréé SAMSUNG, l'acheteur est tenu de présenter le coupon d'achat d'origine à la demande des intéressés à titre de preuve d'achat.

SAMSUNG assurera un service de réparation gratuit à domicile pendant la période de garantie sujet à la disponibilité au Canada.

Le service à domicile n'est pas disponible pour toutes les zones.

Pour bénéficier du service à domicile, l'appareil doit être situé dans un emplacement accessible à notre personnel.

Si ce service n'est pas disponible, SAMSUNG peut choisir de prendre à sa charge le transport aller/retour du produit vers un centre de service agréé.

La société SAMSUNG prendra en charge, à sa convenance, la réparation, le remplacement ou le remboursement du produit tel que stipulé dans les présentes conditions et procédera au remplacement ou au reconditionnement des pièces ou des produits si ces derniers s'avèrent défectueux dans la limite de la période de garantie mentionnée précédemment.

Toutes les pièces et tous les produits remplacés deviennent la propriété de SAMSUNG et doivent être retournés à SAMSUNG.

La période de garantie qui s'applique aux pièces et produits remplacés est la période restante de la garantie initiale ou une période de quatre-vingt-dix (90) jours ; dans tous les cas, la période la plus longue des deux périodes susmentionnées s'applique.

La garantie limitée couvre les vices de fabrication relatifs aux matériaux et à la qualité d'exécution survenus dans le cadre d'une utilisation normale et non commerciale du produit et ne s'applique pas aux causes suivantes, comprenant, mais ne se limitant pas à : tout dommage survenant au cours de l'expédition, de la livraison et de l'installation ; toute utilisation de l'appareil contraire au but auquel il était destiné ; tout numéro de produit ou de série effacé ; tout dommage du revêtement extérieur ou de l'aspect du produit ; tout dommage causé par un accident, une utilisation non conforme, une négligence, un incendie ou une inondation, la foudre ou une autre catastrophe naturelle ; toute utilisation de produits, d'équipements, de systèmes, d'appareils, de services, de pièces, de fournitures, d'accessoires, d'applications, d'installations, de réparations, de câblages externes ou de connecteurs non fournis ou autorisés par SAMSUNG et susceptibles d'endommager ledit appareil ou de nuire à son fonctionnement ; toute surtension, fluctuation ou tension de ligne électrique incorrecte ; tout réglage effectué par l'acheteur et tout non-respect des consignes d'utilisation, d'entretien et de respect de l'environnement couvertes ou prescrites dans le présent carnet d'entretien ; tout démontage ou toute réinstallation de l'appareil ; tout problème résultant d'une prolifération d'insectes nuisibles.

Cette garantie limitée ne couvre pas les problèmes résultant d'un courant, d'une tension ou d'une alimentation électrique incorrects, ainsi que d'ampoules électriques, de fusibles ou de câblage domestiques inappropriés. Elle ne couvre pas non plus le coût des appels au service d'assistance pour obtenir des instructions ou la réparation des erreurs d'installation.

SAMSUNG ne garantit pas que l'appareil sera exempt de tout problème ou qu'il fonctionnera sans interruption.

SAUF EXCEPTION MENTIONNÉE DANS LE PRÉSENT DOCUMENT, SAMSUNG NE FOURNIT AUCUNE GARANTIE EXPRESSE OU IMPLICITE QUANT À CET APPAREIL, Y COMPRIS, MAIS SANS S'Y LIMITER, LES GARANTIES IMPLICITES DE QUALITÉ MARCHANDE, DE CONTREFAÇON OU D'APTITUDE À UN USAGE PARTICULIER.

AUCUNE GARANTIE, QU'ELLE SOIT DONNÉE PAR UN TIERS, UNE ENTREPRISE OU UNE PERSONNE MORALE, NE POURRA ÊTRE CONSIDÉRÉE COMME UN ENGAGEMENT VIS-À-VIS DE SAMSUNG.

SAMSUNG NE SERA AUCUNEMENT RESPONSABLE EN CAS DE PERTE DE BÉNÉFICES, DE MANQUE À GAGNER, D'INCAPACITÉ À RÉALISER DES ÉCONOMIES OU TOUT AUTRE AVANTAGE FINANCIER OU D'AUTRES DOMMAGES SPÉCIAUX, ACCESSOIRES OU INDIRECTS RÉSULTANT DE L'UTILISATION OU D'UNE MAUVAISE UTILISATION DE CET APPAREIL OU D'UNE INCAPACITÉ À UTILISER CET APPAREIL, QUELLE QUE SOIT LA BASE JURIDIQUE INVOQUÉE POUR JUSTIFIER L'ASSERTION ET MÊME SI SAMSUNG A ÉTÉ AVISÉ DE L'ÉVENTUALITÉ DE TELS DOMMAGES.

LES INDEMNITÉS FINANCIÈRES EXIGÉES AUPRÈS DE SAMSUNG NE POURRONT EN AUCUN CAS EXCÉDER LE PRIX D'ACHAT DE L'APPAREIL VENDU PAR SAMSUNG ET À L'ORIGINE DES DOMMAGES INVOQUÉS.

SANS LIMITATION AUX DISPOSITIONS SUSDITES, L'ACHETEUR ASSUME TOUS LES RISQUES ET TOUTES LES RESPONSABILITÉS EN CAS DE PERTE, DE DOMMAGES OU DE BLESSURES ÉVENTUELLES INFLIGÉS À L'ACHETEUR ET AUX BIENS DE CELUI-CI ET À TOUTE AUTRE PERSONNE ET AUX BIENS DE CELLE-CI RÉSULTANT DE L'UTILISATION OU DE LA MAUVAISE UTILISATION DE L'APPAREIL OU DE L'INCAPACITÉ À L'UTILISER.

CETTE GARANTIE LIMITÉE N'EST VALABLE POUR PERSONNE D'AUTRE QUE L'ACHETEUR INITIAL DU PRODUIT, N'EST PAS TRANSFÉRABLE ET ÉNONCE VOTRE RECOURS EXCLUSIF.

Garantie (CANADA)

Certaines provinces n'autorisent pas de limitations quant à la durée des garanties implicites ni l'exclusion ou la limitation de dommages accessoires ou indirects ; il se peut par conséquent que les limitations et exclusions énoncées ci-dessus ne s'appliquent pas à votre cas.

La présente garantie vous octroie des droits spécifiques, ainsi que d'autres variant d'une province à une autre.

Pour bénéficier d'un service d'assistance couvert par votre garantie, contactez SAMSUNG à l'adresse suivante :

Samsung Electronics Canada Inc.

2050 Derry Road West,

Mississauga, Ontario L5N 0B9 Canada

1-800-SAMSUNG (726-7864)

www.samsung.com/ca/support (English)

www.samsung.com/ca_fr/support (French)

Les visites des techniciens de maintenance destinées à expliquer les fonctions, la maintenance ou l'installation ne sont pas couvertes par la garantie.

Veillez prendre contact avec votre centre d'appels Samsung, au numéro indiqué ci-dessus, pour obtenir de l'aide sur l'un de ces problèmes.

Mémo

Mémo

Mémo



Scan the QR code* or visit
www.samsung.com/spsn
to view our helpful
How-to Videos and Live Shows

*Requires reader to be installed on your smartphone

Scan this with your smartphone

DES QUESTIONS OU DES COMMENTAIRES ?

PAYS	APPELEZ LE	OU RENDEZ-VOUS SUR LE SITE
U.S.A	1-800-SAMSUNG (726-7864)	www.samsung.com/us/support
CANADA	1-800-SAMSUNG(726-7864)	www.samsung.com/ca/support (English) www.samsung.com/ca_fr/support (French)

Le symbole Energy Star s'applique uniquement au modèle DVE(G)45R6300*.



DC68-03381T-06



Secadora

Manual del usuario

DVE(G)45R6300*/DVE(G)45R6100*

SAMSUNG

Contenido

Información sobre seguridad	4
Lo que necesita saber sobre las instrucciones de seguridad	4
Símbolos de seguridad importantes	4
PROPOSICIÓN 65 DE CALIFORNIA: ADVERTENCIA	5
Precauciones de seguridad importantes	5
Advertencias	8
Precauciones	8
Aviso regulatorio	10
Aviso para FCC	10
Aviso IC	11
Anuncio sobre código abierto	12
Requisitos de instalación	13
Requisitos de instalación importantes	13
Consideraciones acerca de la ubicación	13
Requisitos para el tendido de conductos	18
Requisitos de drenaje	19
Requisitos en cuanto al gas	20
Requisitos eléctricos	21
Instalación	24
Componentes	24
Instalación paso a paso	26
Prueba de bloqueo de la ventilación	33
Guía de los conductos de drenaje	34
Inversión de la puerta	35
Antes de comenzar	38
Clasificación y carga	38
Requisito de funcionamiento	38

Funcionamiento	39
Panel de control	39
Sencillos pasos para comenzar	43
Descripción del ciclo	44
Tabla de ciclos	46
Guía de secado	49
Funciones especiales	50
Bixby (Únicamente para modelos DVE(G)45R6300*)	52
SmartThings (Únicamente para modelos DVE(G)45R6300*)	53
Mantenimiento	54
Limpieza	54
Solución de problemas	55
Verificaciones	55
Códigos de información	59
Especificaciones	60
Tabla de indicaciones sobre telas	60
Protección del medio ambiente	61
Hoja de especificaciones	62



Información sobre seguridad

Felicidades por la compra de la nueva secadora Samsung. Este manual contiene información importante acerca de la instalación, el uso y el cuidado del electrodoméstico. Lea detenidamente estas instrucciones a fin de aprovechar al máximo los múltiples beneficios y funciones de la secadora.

Lo que necesita saber sobre las instrucciones de seguridad

Lea este manual detenidamente para aprender a utilizar con seguridad y eficacia todas las características y funciones de su nuevo electrodoméstico. Conserve el manual en un lugar seguro cerca del electrodoméstico para consultas futuras. Utilice este electrodoméstico solo para el propósito para el que fue destinado como se describe en este manual.

Las advertencias y las instrucciones de seguridad importantes de este manual no cubren todas las posibles condiciones y situaciones que pueden ocurrir. Es su responsabilidad actuar con sentido común, precaución y cuidado cuando instale, realice el mantenimiento y ponga en funcionamiento la secadora.

Puesto que las siguientes instrucciones de funcionamiento sirven para varios modelos, las características de su secadora pueden diferir ligeramente de las que se describen en este manual y es posible que no todos los signos de advertencia sean aplicables. Si tiene alguna consulta o duda, comuníquese con el centro de servicio más cercano o busque ayuda e información en línea en www.samsung.com.

Símbolos de seguridad importantes

Los íconos y las señales incluidas en este manual del usuario significan lo siguiente:

ADVERTENCIA

Peligros o prácticas inseguras que podrían causar lesiones físicas graves o la muerte y/o daños materiales.

PRECAUCIÓN

Peligros o prácticas inseguras que podrían causar lesiones físicas y/o daños materiales.

NOTA

Indica que existe el riesgo de lesiones físicas o daños materiales.

CONSERVE ESTAS INSTRUCCIONES



Estas señales de advertencia están aquí para evitar que usted u otras personas sufran lesiones.

Siga las instrucciones completamente.

Después de leer este manual, guárdelo en un lugar seguro para consultas futuras.

Lea todas las instrucciones antes de usar el electrodoméstico.

Al igual que con cualquier equipo que usa electricidad y piezas móviles, existen riesgos potenciales. Para usar este electrodoméstico en forma segura, familiarícese con su funcionamiento y manéjelo con cuidado cuando lo use.

ADVERTENCIA - Riesgo de incendio

- La instalación de la secadora de ropa debe estar a cargo de un instalador calificado.
- Instale la secadora de ropa según las instrucciones del fabricante y los códigos locales.
- No instale una secadora de ropa con materiales para ventilación de plástico flexible. Si se instala un conducto de metal flexible (tipo lámina metálica), debe ser de un tipo específico identificado por el fabricante del electrodoméstico como adecuado para utilizar con secadoras de ropa. Los materiales para ventilación flexibles suelen hundirse, aplastarse fácilmente y atrapar pelusa. Estas condiciones obstruirán el flujo de aire de la secadora de ropa y aumentarán el riesgo de incendio.
- Para reducir el riesgo de lesiones graves o muerte, siga todas las instrucciones de instalación.
- Guarde estas instrucciones.

PROPOSICIÓN 65 DE CALIFORNIA: ADVERTENCIA

ADVERTENCIA

Cáncer y afecciones reproductivas - www.P65Warnings.ca.gov.

Precauciones de seguridad importantes

ADVERTENCIA

Para reducir el riesgo de incendio, descarga eléctrica o lesiones físicas cuando usa este electrodoméstico, siga las instrucciones de seguridad básicas que figuran a continuación:

1. Lea todas las instrucciones antes de usar este electrodoméstico.
2. No seque prendas que han sido previamente limpiadas, lavadas, remojadas o salpicadas con gasolina, solventes de limpieza en seco u otras sustancias inflamables o explosivas, ya que emiten vapores que pueden incendiarse o explotar.

CONSERVE ESTAS INSTRUCCIONES



Información sobre seguridad

3. No utilice la secadora para secar ropa que tenga restos de sustancias inflamables, como aceites vegetales, de cocción o de máquina, productos químicos inflamables, disolventes de pinturas, etc., o que contengan cera o productos químicos, como trapeadores y paños de limpieza. Las sustancias inflamables pueden ocasionar que la tela se incendie.
4. No almacene ni utilice gasolina u otros vapores o líquidos inflamables cerca de este o cualquier otro aparato eléctrico.
5. No permita que los niños jueguen sobre el electrodoméstico ni dentro de él. Se requiere de supervisión cuando el electrodoméstico es utilizado cerca de los niños.
6. Antes de descartar el electrodoméstico o de retirarlo de servicio, extraiga la puerta del compartimento de secado.
7. No introduzca la mano en el electrodoméstico si el tambor está en movimiento.
8. No instale ni almacene este electrodoméstico donde quede expuesto a los factores climáticos.
9. No modifique los controles internos.
10. No repare, reemplace ni intente realizar el mantenimiento de cualquier pieza del electrodoméstico salvo que esté recomendado específicamente en las instrucciones de mantenimiento del usuario o en las instrucciones de reparación para el usuario publicadas y que, a su juicio, usted tenga la habilidad para llevarlas a cabo.
11. No utilice suavizante de telas o productos para eliminar la estática a menos que el fabricante del suavizante o del producto lo recomiende.
12. Limpie el filtro para pelusas antes o después de cada carga.
13. No aplique calor para secar prendas que contengan goma espuma o materiales semejantes a la goma con textura similar.
14. Mantenga el área alrededor de la salida del drenaje y las áreas adyacentes libres de la acumulación de pelusa, polvo y suciedad.
15. El personal técnico calificado debe efectuar una limpieza periódica del interior del electrodoméstico y del conducto de drenaje.
16. No coloque elementos expuestos a aceites de cocina en la secadora. Los elementos contaminados con aceites de cocina pueden contribuir a que se produzca una reacción química que ocasione que la carga de ropa se incendie. Para reducir el riesgo de incendio debido a cargas de ropa contaminada, la parte final del ciclo de la secadora se realiza sin calor (período de enfriamiento). No detenga la secadora antes de terminar el ciclo de secado, pero si lo hace, retire rápidamente la ropa y espárzala para que se disipe el calor.
17. Este electrodoméstico debe conectarse a tierra. Consulte "Requisitos eléctricos" y "Conexión a tierra" en la sección "Instalación".
18. No permita que los niños jueguen sobre el electrodoméstico ni dentro de él. Se requiere de supervisión cuando el electrodoméstico es utilizado cerca de los niños.

CONSERVE ESTAS INSTRUCCIONES



19. No introduzca las manos bajo la secadora.
 - Puede provocar lesiones físicas.
20. Al cerrar la puerta tenga cuidado de no atrapar los dedos de los niños.
 - Puede provocar lesiones físicas.
21. El panel de control y la válvula de entrada no están conectados a tierra intencionalmente y pueden presentar riesgo de descarga eléctrica únicamente durante el servicio técnico.
 - No toque estas partes mientras el electrodoméstico está recibiendo electricidad.

⚠ ADVERTENCIA - Para reducir el riesgo de incendio o explosión:

- No seque prendas que hayan sido previamente limpiadas, lavadas, remojadas o salpicadas con gasolina, solventes de limpieza en seco u otras sustancias inflamables o explosivas. Emiten vapores que pueden incendiarse o explotar. No se debe colocar en la secadora ningún material que haya estado en contacto con un solvente de limpieza o con líquidos o sólidos inflamables hasta que se haya eliminado todo vestigio de tales líquidos o sólidos inflamables y sus vapores. Existen muchos artículos altamente inflamables en los hogares, tales como acetona, alcohol desnaturalizado, gasolina, kerosene, algunos limpiadores líquidos de uso doméstico, algunos quitamanchas, aguarrás, ceras y removedores de cera.
- No se deben secar artículos que contengan goma espuma (que puede estar catalogada como espuma de látex) o materiales semejantes a la goma y con textura similar en la opción de secado con calor. Los materiales de goma espuma que reciben calor pueden, en ciertas circunstancias, encenderse en forma espontánea.

⚠ ADVERTENCIA - Qué hacer si percibe olor a gas:

- No intente encender ningún electrodoméstico.
- No encienda el electrodoméstico.
- No toque ningún interruptor eléctrico.
- No utilice ningún teléfono de su edificio.
- Haga que todos los ocupantes se retiren del cuarto, edificio o área.
- Comuníquese inmediatamente con el proveedor de gas desde el teléfono de un vecino. Siga las instrucciones del proveedor de gas.
- Si no se puede comunicar con el proveedor de gas, llame al departamento de bomberos.
- La instalación y el servicio técnico deberán estar a cargo de un instalador calificado, una agencia de reparaciones o el proveedor de gas.

CONSERVE ESTAS INSTRUCCIONES



Información sobre seguridad

Advertencias

ADVERTENCIA

- Asegúrese de que los bolsillos no contengan objetos pequeños, sólidos y de forma irregular, material extraño, etc., por ejemplo: monedas, cuchillos, alfileres, etc. Tales objetos podrían dañar la secadora.
- Se pueden producir pérdidas de gas en su sistema que generen una situación peligrosa.

Precauciones

PRECAUCIÓN

- No permita que los niños o las mascotas jueguen sobre el electrodoméstico, dentro de él o frente a él. Se requiere de supervisión cuando el electrodoméstico es utilizado cerca de niños y mascotas.
- Antes de eliminar la secadora o de retirarla de servicio, quite la puerta del compartimiento de secado para evitar que los niños o las mascotas queden atrapados dentro de la secadora.
- No introduzca la mano en el electrodoméstico cuando el tambor esté en movimiento.
- No instale ni almacene este electrodoméstico donde quede expuesto a los factores climáticos.
- No modifique los controles.
- No repare ni reemplace ni intente realizar el mantenimiento de ninguna pieza del electrodoméstico salvo que esté indicado específicamente en las instrucciones de reparación para el usuario y que comprenda y tenga la habilidad para llevar a cabo el procedimiento.
- No utilice suavizante de telas o productos para eliminar la estática a menos que el suavizante o producto esté recomendado para uso con la secadora por el fabricante del mismo.
- Limpie el filtro para pelusas antes o después de cada carga.
- Mantenga el área alrededor de la salida del drenaje y las áreas circundantes libres de pelusa, polvo y suciedad.
- El personal técnico calificado debe efectuar una limpieza periódica del interior de la secadora y del conducto de drenaje.
- Este electrodoméstico debe conectarse a tierra correctamente. Nunca enchufe el cable de alimentación a un receptáculo que no esté conectado a tierra correctamente y que no guarde conformidad con los códigos locales y nacionales. Consulte las instrucciones de instalación para obtener información sobre cómo conectar este electrodoméstico a tierra.
- No se sienta encima de la secadora.
- No seque ropa que contenga hebillas grandes, botones u otros objetos de metal pesado o sólido.
- Las pérdidas de gas pueden no ser detectadas únicamente por el olor.
- Los proveedores de gas recomiendan que compre e instale un detector de gas aprobado por UL.
- Instale y utilice de acuerdo con las instrucciones del fabricante.

CONSERVE ESTAS INSTRUCCIONES



- No coloque prendas en la secadora que hayan sido salpicadas o remojadas con aceite vegetal o aceite de cocina. Incluso después del lavado, estas prendas pueden contener una cantidad importante de dichos aceites.
- El aceite residual en las prendas puede incendiarse en forma espontánea. La posibilidad de combustión espontánea aumenta cuando las prendas que contienen aceite vegetal o aceite de cocina son expuestas al calor. Las fuentes de calor, tales como la secadora, pueden calentar estas prendas y permitir que se produzca la oxidación del aceite a modo de reacción. La oxidación genera calor. Si dicho calor no tiene forma de salir, las prendas pueden calentarse lo suficiente como para incendiarse. Amontonar, apilar o guardar este tipo de prendas puede impedir que el calor escape y puede generar un peligro de incendio.
- Todas las prendas limpias y sucias que contengan aceite vegetal o aceite de cocina pueden resultar peligrosas.

Lavar dichas prendas en agua caliente con una dosis adicional de detergente reducirá el peligro, aunque no lo eliminará. Siempre use el ciclo Cool Down (Enfriamiento) para estas prendas a fin de reducir la temperatura. Nunca retire estas prendas cuando la secadora esté caliente ni interrumpa el ciclo de secado hasta que las prendas hayan pasado por el ciclo Cool Down (Enfriamiento). Nunca amontone o apile estas prendas cuando estén calientes.

CONSERVE ESTAS INSTRUCCIONES



Aviso regulatorio

Aviso para FCC

PRECAUCIÓN

Todos los cambios y modificaciones que no cuenten con la aprobación expresa de la parte responsable del cumplimiento invalidará la autoridad del usuario para operar el equipo.

Este dispositivo cumple con el Apartado 15 de las Normas de la FCC. El funcionamiento se encuentra sujeto a las siguientes dos condiciones:

1. Este electrodoméstico no puede causar interferencia dañina, y
2. Este electrodoméstico debe aceptar la recepción de cualquier interferencia, incluidas aquellas que puedan causar un funcionamiento indeseado.

En los productos vendidos en los mercados de Estados Unidos y Canadá, solo están disponibles los canales 1-11. No es posible seleccionar otros canales.

DECLARACIÓN DE LA FCC:

Este equipo ha sido sometido a pruebas y se ha determinado que se encuentra dentro de los límites para los dispositivos digitales clase B, de acuerdo con el apartado 15 de las Normas de la FCC. Dichos límites han sido diseñados para proporcionar una protección razonable contra la interferencia dañina en una instalación residencial.

Este equipo genera, utiliza y puede irradiar energía de frecuencias de radio y, si no se lo instala y utiliza de acuerdo con las instrucciones, puede provocar interferencia dañina a las comunicaciones de radio. Sin embargo, no existe garantía alguna de que no habrá interferencia en una instalación determinada. Si el equipo provoca interferencia dañina a la recepción de radio o televisión, que puede determinarse al encender y apagar el equipo, se sugiere que el usuario trate de corregir la interferencia mediante una o más de las siguientes medidas:

- Reorientar o reubicar la antena receptora
- Aumentar la distancia entre el equipo y el receptor
- Conectar el equipo a un tomacorriente que esté en un circuito diferente al de la radio o el televisor.
- Consultar al distribuidor o a un técnico experimentado en radio/TV para obtener ayuda.

DECLARACIÓN DE LA FCC SOBRE LA EXPOSICIÓN A LA RADIACIÓN:

Este equipo cumple con los límites de exposición a la radiación establecidos por la FCC para un entorno no controlado. Este equipo debe instalarse y utilizarse con una distancia mínima de 8 pulgadas (20 cm) entre el radiador y su cuerpo. Este electrodoméstico y su/s antena/s no deben ubicarse ni utilizarse junto con ninguna otra antena o transmisor.

CONSERVE ESTAS INSTRUCCIONES

Emisor involuntario según el apartado 15 de las Normas de la FCC
Tipo de producto: Secadora de ropa
Modelo: DVE(G)45R6300*
Parte responsable: Información de contacto en EE. UU.
Samsung Electronics America, Inc.
QA Lab America
19 Chapin Rd. Building D Pine Brook NJ 07058
Tel: 1-973-808-6375 Fax: 1-973-808-63

Aviso IC

El término "IC" antes del número de certificación de radio significa únicamente que se han cumplido las especificaciones técnicas del Ministerio de Industria del Canadá. El funcionamiento se encuentra sujeto a las siguientes dos condiciones:

1. Este electrodoméstico no puede causar interferencia, y
2. Este electrodoméstico debe aceptar cualquier interferencia, incluidas aquellas que puedan causar un funcionamiento indeseado del dispositivo.

Este aparato digital Clase B cumple con la norma canadiense ICES-003.

Cet appareil numérique de la classe B est conforme à la norme NMB-003 du Canada.

En los productos vendidos en los mercados de Estados Unidos y Canadá, solo están disponibles los canales 1-11. No es posible seleccionar otros canales.

DECLARACIÓN DE LA IC SOBRE LA EXPOSICIÓN A LA RADIACIÓN:

Este equipo cumple con los límites de exposición a la radiación RSS-102 establecidos por la IC para un entorno no controlado. Este equipo debe instalarse y utilizarse con una distancia mínima de 8 pulgadas (20 cm) entre el radiador y su cuerpo. Este electrodoméstico y su/s antena/s no deben ubicarse ni utilizarse junto con ninguna otra antena o transmisor.

CONSERVE ESTAS INSTRUCCIONES

Aviso regulatorio

Anuncio sobre código abierto

El software incluido en este producto contiene software de código abierto. Puede obtener el correspondiente código fuente completo por un período de tres años a partir del último envío de este producto enviando un correo electrónico a <mailto:oss.request@samsung.com>.

Asimismo es posible obtener el correspondiente código fuente completo en un soporte físico como un CD-ROM; se le cobrará una tasa mínima.

La siguiente URL http://opensource.samsung.com/opensource/SMART_AT_051/seq/0 lleva a la página de descarga del código fuente disponible y a la información de licencia de código abierto relacionada con este producto. Esta oferta es válida para quienes reciban esta información.



NOTA

Por la presente, Samsung Electronics declara que el artefacto del tipo de equipo radioeléctrico se ajusta a lo dispuesto en la Directiva 2014/53/EU. El texto completo de la declaración de conformidad de la UE está disponible en la siguiente dirección de internet: La declaración oficial de conformidad puede encontrarse en <http://www.samsung.com>, vaya a Soporte > busque Conoce tu producto e ingrese el nombre del modelo.

Potencia máxima de transmisor Wi-Fi: 20 dBm a 2.412 GHz - 2.472 GHz

CONSERVE ESTAS INSTRUCCIONES

Requisitos de instalación

Lea atentamente las siguientes instrucciones antes de instalar la secadora y conserve este manual para futuras consultas.

ADVERTENCIA

Algunas piezas internas no están conectadas a tierra intencionalmente y pueden presentar riesgo de descarga eléctrica únicamente durante el servicio técnico.

Personal del servicio técnico: No toque las siguientes piezas mientras el electrodoméstico está recibiendo electricidad: Panel de control y válvula de entrada.

Requisitos de instalación importantes

- Un tomacorriente con conexión a tierra.
- Un cable de alimentación para las secadoras eléctricas (excepto en Canadá).
- Conductos de gas (para modelos a gas) que deben cumplir con la normativa local y nacional.
- Un sistema de drenaje de metal rígido o flexible con un recubrimiento de metal resistente.

ADVERTENCIA

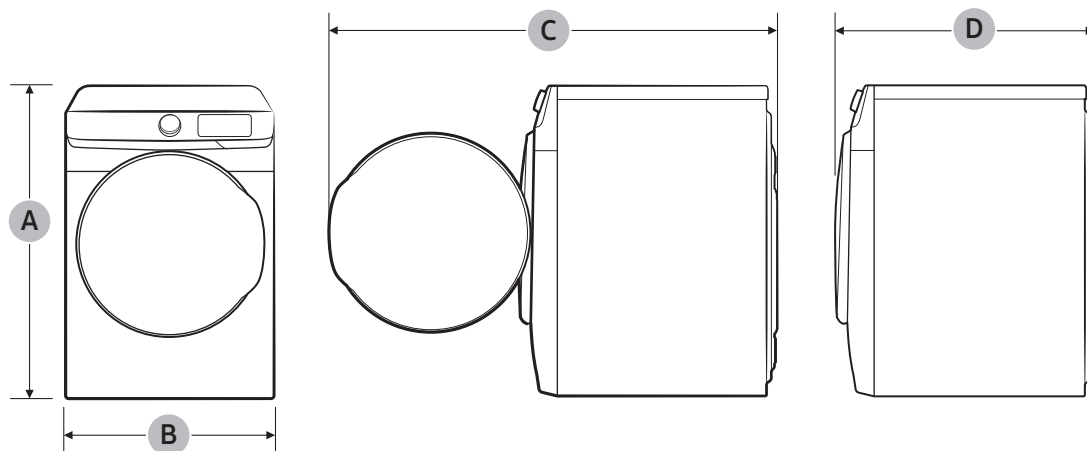
Retire la puerta de todos los electrodomésticos desechados para evitar que un niño se asfixie.

Consideraciones acerca de la ubicación

La secadora debe estar ubicada donde haya suficiente espacio adelante para cargarla y suficiente espacio atrás para el sistema de drenaje. Esta secadora viene preparada de fábrica con la opción de drenaje posterior. Para que drene por la parte inferior, hacia la derecha o izquierda, utilice el kit de drenaje accesorio. El kit viene acompañado de instrucciones. Asegúrese de que en el cuarto circule suficiente aire fresco. La secadora debe estar ubicada donde el aire pueda fluir sin obstrucciones. Para las secadoras a gas, se debe mantener el espacio libre suficiente tal como figura en la placa de información para garantizar que haya aire suficiente para la combustión y el funcionamiento adecuado de la secadora. No se debe instalar o guardar la secadora en un área donde quede expuesta al agua y/o a los factores climáticos. El área de la secadora debe mantenerse libre de materiales combustibles, gasolina y otros vapores y líquidos inflamables. Una secadora produce pelusa combustible. No debe haber pelusas en el área circundante de la secadora.

Requisitos de instalación

Dimensiones



Tipo		Secadora de carga frontal
Dimensiones (in (mm))	A. Altura total	38.7 (984)
	B. Ancho	27.0 (686)
	C. Profundidad con la puerta abierta	52.6 (1335)
	D. Profundidad	31.5 (800)

Requisito de espacio libre

Este requisito de espacio libre solo se aplica a las secadoras.

NOTA

- Para el requisito de espacio libre para lavadoras, consulte el manual del usuario de la lavadora.
- Si la lavadora y la secadora tienen distintos requisitos de espacio libre, utilice el valor mayor.

Instalaciones del electrodoméstico en un gabinete o en un hueco

ADVERTENCIA

- La secadora debe tener un drenaje con salida hacia el exterior para reducir el riesgo de incendio cuando se instala en un gabinete o en un hueco.
- No se debe instalar ningún otro electrodoméstico que queme combustible en el mismo gabinete de la secadora.
- Coloque la secadora al menos a 18 pulgadas (460 mm) sobre el suelo en una instalación en un garaje.

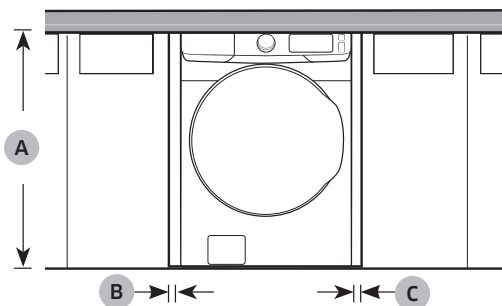
Espacio libre mínimo para un funcionamiento estable:

Laterales	Arriba	Posterior	Frente
1 in (25 mm)	1 in (25 mm)	5.9 in (150 mm)	1 in (25 mm)

Si se instalan una lavadora y una secadora en la misma ubicación, el frente del gabinete o hueco debe tener dos aberturas de aire sin obstrucciones que combinadas sean de al menos 72 in² (465 cm²).

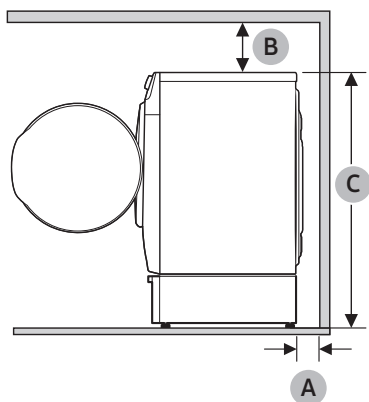
Requisitos de instalación

Instalación debajo de mostrador



A	39.6 in (1006 mm)
B	1 in (25 mm)
C	1 in (25 mm)

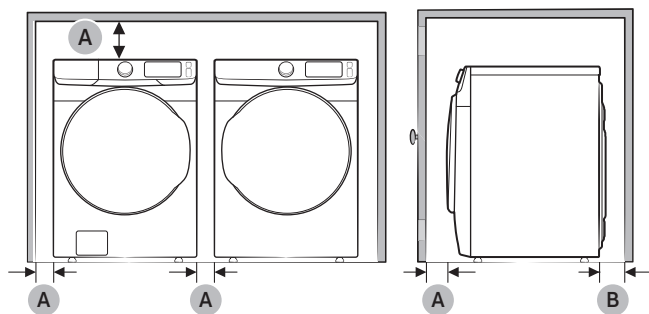
Instalación en pedestal



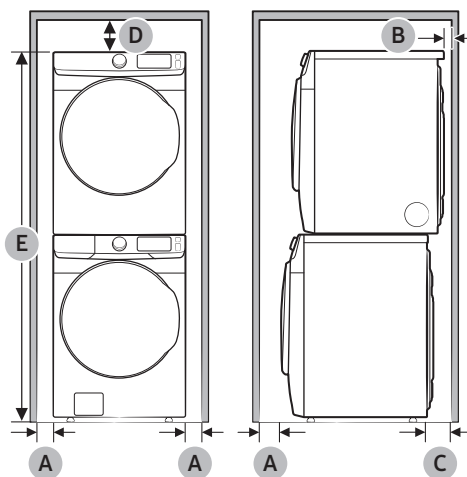
A	5.9 in (150 mm)
B	6 in (152 mm)
C	52.0 in (1320 mm)

Este requisito de espacio libre se aplica a la instalación de lavadora y secadora juntas.

Instalación lado a lado



Instalación apilada (Modelo: SKK-8K)



A	1 in (25 mm)
B	5.9 in (150 mm)
C	7.1 in (180 mm)
D	6 in (152 mm)
E	78.5 in (1994 mm)

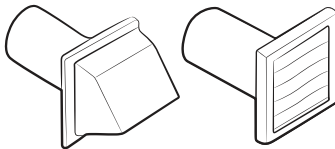
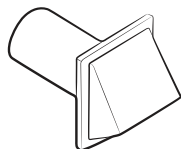
NOTA

Apilamiento (MODELO N.º: SKK-8K)

Muchas de las lavadoras y las secadoras de Samsung pueden apilarse para maximizar el espacio aprovechable. Puede adquirir un kit de apilamiento opcional en su comercio minorista de productos Samsung. Para conocer más detalles acerca del apilamiento y los modelos compatibles, consulte el manual del usuario incluido en el kit de apilamiento que ha comprado.

Requisitos de instalación

Requisitos para el tendido de conductos

Tipo tapa para intemperie	Recomendado	Utilice solo para instalación de distancia corta
	 <p>4" (10.2 cm)</p>	 <p>2.5" (6.4 cm)</p>
N.º de codos de 90°	Rígido	Rígido
0	80 ft (24.4 m)	74 ft (22.6 m)
1	68 ft (20.7 m)	62 ft (18.9 m)
2	57 ft (17.4 m)	51 ft (15.5 m)
3	47 ft (14.3 m)	41 ft (12.5 m)

NOTA

* Utilice un conducto de acero galvanizado o de aluminio, de 4 pulgadas (10.2 cm) de diámetro.

Si integrará el sistema de ventilación de la secadora con un sistema de drenaje existente:

- Asegúrese de que el sistema de drenaje cumpla con todas las normativas locales, estatales y nacionales.
- Verifique que no esté usando un conducto flexible de plástico.
- Asegúrese de controlar y eliminar toda la pelusa acumulada del interior de los conductos existentes.
- Confirme que el conducto no esté enroscado o aplastado.
- Asegúrese de que el regulador de tiro de la tapa del drenaje se abra y se cierre sin inconvenientes.

Mediciones del manómetro

La presión estática de cualquier sistema de drenaje no debe superar las 0,83 pulgadas de la columna de agua ni ser inferior a 0. Tenga en cuenta que estos valores se miden con la secadora en funcionamiento con un manómetro en el conducto que conecta al drenaje de la secadora. El tambor de la secadora debe estar vacío y el filtro para pelusas limpio.

Requisitos de drenaje

La secadora no debe drenarse hacia una chimenea, pared, techo, altillo, sótano de pequeña altura o espacio oculto de un edificio. Si la secadora tiene un drenaje con salida hacia el exterior se evitará que ingrese una gran cantidad de pelusa y humedad a la habitación.

En Estados Unidos y Canadá

- Todas las secadoras deben tener un drenaje con salida hacia el exterior.
- El conducto de drenaje requerido tiene 4 pulgadas (10.2 cm) de diámetro.
- Consulte "Requisitos para el tendido de conductos" en la sección "Instalación" para conocer la longitud máxima del conducto y el número de codos que pueden utilizarse.
- La longitud total del conducto flexible metálico no debe superar los 7' 10 1/2" (2.4 m).
- No fije el conducto con tornillos u otros medios de sujeción que se extiendan dentro del conducto y atrapen pelusa.
- **Únicamente para Estados Unidos:** Utilice solo los conductos flexibles tipo lámina metálica, si los hubiera, identificados específicamente para su utilización con el electrodoméstico por el fabricante y que cumplan con el Esquema para conductos de transición de secadora de ropa. Use el Tema 2158A.

Fuera de Estados Unidos y Canadá

- Remítase a los códigos locales.

ADVERTENCIA

- Debe colocar en la secadora un drenaje con salida hacia el exterior para reducir el riesgo de incendio cuando instala la secadora en un gabinete o en un hueco.
- No utilice conductos flexibles de plástico o de un material que no sea el metal.
- Si su red de conductos existente es de plástico, de un material no metálico o que sea inflamable, reemplácela por una que sea de metal.
- Utilice únicamente un conducto de drenaje de metal que no sea inflamable para asegurar la contención del aire expulsado, el calor y la pelusa.

Requisitos de instalación

Requisitos en cuanto al gas

ADVERTENCIA

- Utilice únicamente gas natural o gas LP (gas licuado de propano).
- La instalación debe realizarse en conformidad con los códigos locales, o en ausencia de ellos, con el Código Nacional para Gas y Combustibles ANSI/Z223.1/NFPA 54, la revisión más reciente (para los Estados Unidos), o con el Código de Instalación de Gas Natural y Propano CSA B149.1 (para Canadá).
- Las secadoras a gas están equipadas con un orificio para el quemador de modo que puedan ser utilizadas con gas natural. Si tiene pensado utilizar su secadora con gas LP (gas licuado de propano), deberá efectuarse la conversión para lograr un funcionamiento adecuado y seguro, tarea que deberá estar a cargo de un técnico calificado. **(Sólo modelos LNG)**
Debe revisar el quemador de su modelo y usar el kit de propano licuado (LP) correspondiente. Para consultar la información detallada del quemador, abra la puerta y vea la etiqueta de voltaje en el marco de la puerta.
 - 20,000 BTU: LPKIT-4/XAA (DC98-04114A)
 - 22,000 BTU: LPKIT-3/XAA (DC99-00792A)
- Se recomienda usar un conducto de suministro de gas de 1/2" (1.27 cm) y el mismo debe reducirse para la conexión con el conducto de gas de 3/8" (1 cm) de su secadora. El Código Nacional para Gas y Combustibles exige que se instale una válvula manual de cierre del gas, aprobada y de fácil acceso, dentro de las 6" de distancia de la secadora.
- Las secadoras a gas instaladas en garajes residenciales deben estar elevadas a 18 pulgadas (46 cm) del piso.
- Además, se debe instalar una conexión roscada macho de 1/8" (0.3 cm) N.P.T. (rosca nacional para tubos), accesible para la conexión del medidor de prueba, inmediatamente contra corriente de la conexión del suministro de gas de la secadora.
- Su secadora debe estar desconectada del sistema de suministro de gas durante las pruebas de presión del sistema.
- No vuelva a utilizar los viejos conductos de gas de metal flexible. El diseño del conducto de gas flexible debe estar certificado por el estándar utilizado para aparatos a gas ANSI Z21.24 • CSA 6.10.

NOTA

- La secadora utiliza un sistema de encendido automático para encender el quemador. No existe un piloto que permanezca constantemente encendido.
- Todo compuesto de unión de tuberías utilizado debe ser resistente a la acción del gas licuado de petróleo.
- A modo de cortesía, la mayoría de las empresas locales de gas inspeccionarán la instalación del artefacto a gas.

Instrucciones de instalación de la comunidad de Massachusetts

La instalación de la secadora deberá estar a cargo de un plomero o un instalador de gas calificado. Se deberá instalar una válvula de gas manual con una manija en forma de "T" en el conducto de suministro de gas de la secadora. Si se utiliza un conector de gas flexible para instalar la secadora, el conector debe tener una longitud máxima de 3' (36").

ADVERTENCIA

- Se pueden producir pérdidas de gas en su sistema y ocasionar una situación peligrosa.
- Las pérdidas de gas pueden no ser detectadas únicamente por el olor.
- Los proveedores de gas recomiendan que compre e instale un detector de gas aprobado por UL.
- Instale y utilice de acuerdo con las instrucciones del fabricante.

Requisitos eléctricos

El diagrama del cableado se encuentra en la placa debajo del panel de control o en el armazón posterior.

ADVERTENCIA

- La conexión inadecuada del conductor de conexión a tierra del equipo puede generar el riesgo de descarga eléctrica. Consulte a un electricista o técnico calificado si le surgen dudas acerca de si la conexión a tierra de su secadora es correcta. No modifique el enchufe provisto con la secadora; si no entra en el tomacorriente, solicite a un electricista calificado que instale el tomacorriente adecuado.
- Para evitar el riesgo innecesario de incendio, descarga eléctrica o lesiones físicas, todo el cableado y la conexión a tierra deben realizarse de conformidad con los códigos locales o, en ausencia de ellos, de conformidad con el Código Eléctrico Nacional, ANSI/NFPA Nro. 70, su última revisión (para EE.UU.) o el Código Eléctrico Canadiense CSA C22.1, sus últimas revisiones y los códigos y ordenanzas locales. Es su responsabilidad proveer el servicio eléctrico adecuado para su secadora.
- Todas las instalaciones de gas deberán realizarse de conformidad con el Código Nacional para Combustibles ANSI/Z2231, su última revisión (para EE.UU.) o con los Códigos de Instalación CAN/CGA - B149, su última revisión (para Canadá) y los códigos y ordenanzas locales.



Requisitos de instalación

Conexión a tierra

Esta secadora debe conectarse a tierra. En caso de que el electrodoméstico funcione mal o se descomponga, la conexión a tierra reducirá el riesgo de descarga eléctrica al ofrecer una vía de menor resistencia a la corriente eléctrica.

Modelos a gas

ADVERTENCIA

- Su secadora tiene un cable con un conductor de conexión a tierra del equipo y un enchufe de conexión a tierra. El enchufe debe conectarse a un tomacorriente adecuado que esté correctamente instalado y conectado a tierra en conformidad con todos los códigos y ordenanzas locales.
- No modifique el enchufe provisto con la secadora; si no entra en el tomacorriente, solicite a un electricista calificado que instale el tomacorriente adecuado.
- No conecte el cable a tierra a las tuberías de plástico, las tuberías de gas o a las cañerías de agua caliente.

Modelos eléctricos

ADVERTENCIA

- Su secadora tiene un cable opcional con un conductor de conexión a tierra del equipo y un enchufe de conexión a tierra. El cable se vende por separado.
- El enchufe debe conectarse a un tomacorriente adecuado que esté correctamente instalado y conectado a tierra en conformidad con todos los códigos y ordenanzas locales.
- No modifique el enchufe provisto con la secadora; si no entra en el tomacorriente, solicite a un electricista calificado que instale el tomacorriente adecuado.
- Si no se utiliza un cable de alimentación y la secadora eléctrica debe estar permanentemente conectada, se la debe conectar a un sistema de cableado de metal con conexión a tierra permanente, o se debe conectar un conductor con conexión a tierra del equipo a los conductores del circuito y a la terminal con conexión a tierra del equipo o al cable de la secadora.



Conexiones eléctricas

Antes de poner el electrodoméstico en funcionamiento o realizar pruebas, siga las instrucciones de conexión a tierra de la sección “Conexión a tierra”. Se recomienda que se destine un circuito derivado individual (o separado) solo para la secadora.

No utilice un cable prolongador.

Modelos a gas – EE.UU. y Canadá

Se requiere un servicio eléctrico aprobado de CA de 120 voltios, 60 Hz, con un fusible o interruptor de 15 A.

Modelos eléctricos – Solo EE.UU.

La mayoría de las secadoras estadounidenses requieren un servicio eléctrico aprobado de CA de 120/240 voltios, 60 Hz. Algunas requieren un servicio eléctrico aprobado de 120/208 voltios, 60 Hz. Los requisitos del servicio eléctrico pueden encontrarse en la etiqueta con información ubicada detrás de la puerta. Se requiere un fusible o interruptor de 30 A a ambos lados del conducto.

- Si se utiliza un cable de alimentación, el cable debe enchufarse a un tomacorriente de 30 A.
- No se provee el cable de alimentación con los modelos eléctricos de secadoras estadounidenses. El cable se vende por separado.

Riesgo de descarga eléctrica

ADVERTENCIA

Si lo permiten los códigos locales, se puede conectar el suministro eléctrico de la secadora por medio de un nuevo kit de cable de alimentación eléctrica, rotulado para que se lo utilice con una secadora, es decir que cuente con certificación U.L. y categorizado en un mínimo de 120/240 voltios, 30 amperes con tres conductores de cobre Nro. 10 que finalicen en terminales de bucle cerrado, pernos de pala de tipo abierto con extremos rebatidos o con conductores de estaño.

- No vuelva a utilizar un cable de alimentación eléctrica de una secadora vieja. El cable de alimentación eléctrica debe asegurarse en el gabinete de la secadora con una protección contra los tirones adecuada con certificación UL.
- La conexión a tierra a través del conductor neutro está prohibida para (1) instalaciones nuevas con circuito derivado, (2) casas rodantes, (3) vehículos de recreo y (4) áreas en las que los códigos locales prohíban la conexión a tierra a través de un conductor neutro. (Utilice un enchufe de 4 pines para un tomacorriente de 4 ranuras, tipo NEMA 14-30R.)

Modelos eléctricos – Solo Canadá

Se requiere un servicio eléctrico aprobado de CA de 120/240 voltios, 60 Hz, equipado con un fusible o interruptor de 30 A a ambos lados del conducto.

NOTA

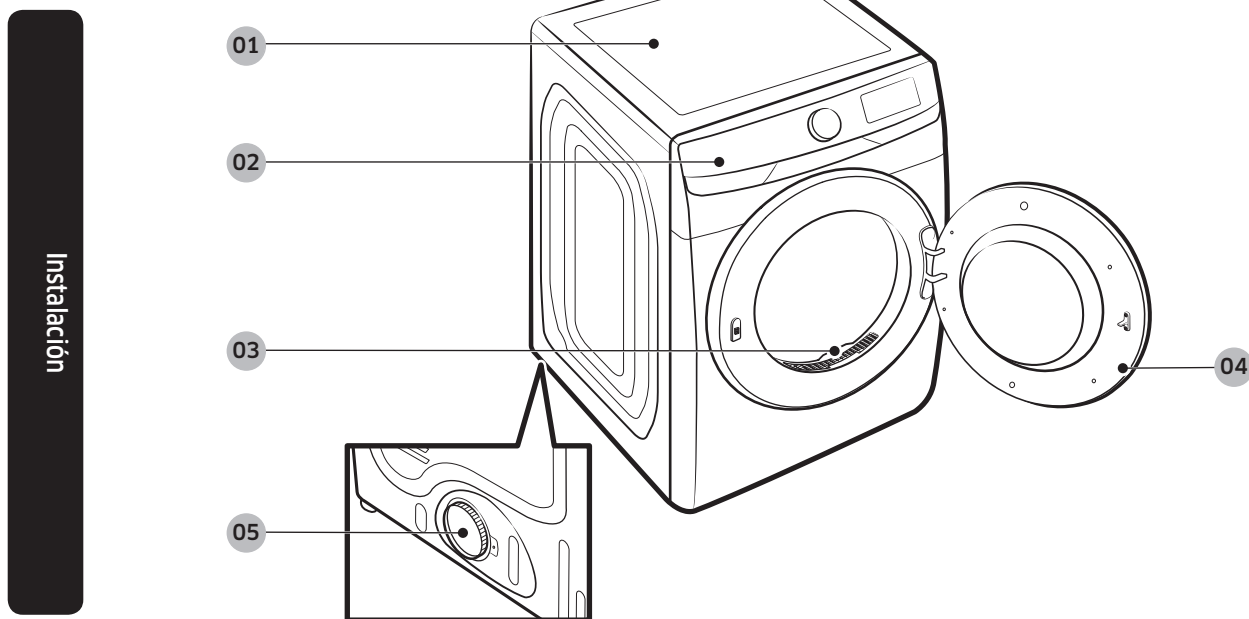
Todos los modelos canadienses se envían con el cable de alimentación adjunto. El cable de alimentación debe conectarse a un tomacorriente de 30 A. En Canadá está permitido convertir una secadora a 120/208 voltios.

Instalación

La instalación de la secadora debe estar a cargo de un técnico calificado. El instalador será responsable de conectar la secadora a la fuente de alimentación principal y a la vez de cumplir con las normas de seguridad correspondientes de su zona.

Componentes

Asegúrese de que todos los componentes estén incluidos en el paquete. Si tiene algún problema con la secadora o las piezas, comuníquese con un centro de atención al cliente de Samsung o con el vendedor.



01 Encimera

02 Panel de control

03 Filtro para pelusas

04 Puerta

05 Conducto de drenaje

Partes suministradas



Conector en forma de "Y"

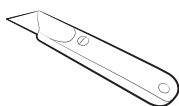


Manguera de agua corta

Herramientas necesarias para la instalación



Pinzas



Cúter



Llave inglesa para tuberías (solo para modelos a gas)



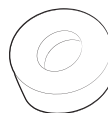
Llave para tuercas



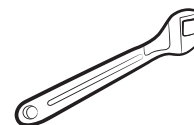
Nivelador



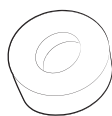
Destornillador Phillips



Cinta para conductos



Llave inglesa



Compuesto GLP (gas licuado de petróleo) o cinta de teflón (para la instalación del gas)

⚠ ADVERTENCIA

Los materiales de empaque pueden ser peligrosos para los niños. Mantenga todos los materiales de empaque (bolsas de plástico, poliestireno, etc.) lejos del alcance de los niños.



Instalación

Instalación paso a paso

Asegúrese de que un técnico calificado instale la secadora. A continuación aparecen unas instrucciones paso a paso de la instalación.

- No retire la película protectora de la puerta antes de finalizar la instalación del producto. Si retira la película protectora antes de finalizar la instalación, la puerta puede rayarse o dañarse durante la instalación.
- Asegúrese de que el lugar de instalación cuente con espacio suficiente para abrir la puerta de la secadora por completo.

PASO 1 Instale el sistema de drenaje

1. Seleccione un lugar y coloque allí la secadora. Para facilitar el acceso, le recomendamos que instale la secadora en la misma ubicación que la lavadora.
2. Para modificar la dirección de la puerta, consulte “Inversión de la puerta” en la página 35.
3. Instale el sistema de drenaje como se indica en la sección “Guía de los conductos de drenaje”.

PRECAUCIÓN

Antes de instalar la secadora, quite el empaque del conducto.

NOTA

- Para mover la secadora con facilidad, coloque dos de las protecciones de cartón del empaque en el piso. Inclíne la secadora hacia uno de los laterales, de modo tal que quede apoyada sobre ambas protecciones. Empuje la secadora hasta que se encuentre cerca de su ubicación final y colóquela en posición vertical.
- Asegúrese de que haya espacio suficiente alrededor de la secadora para facilitar la instalación de conductos y el cableado.

PASO 2 Conecte el conducto de gas (para modelos a gas)

Antes de conectar el conducto de gas, asegúrese de haber leído la sección “Requisitos en cuanto al gas” en la página 20.

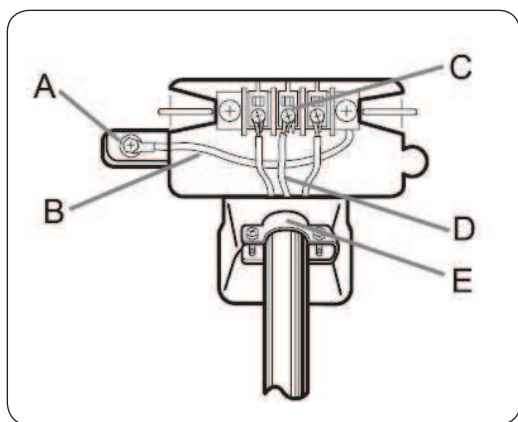
1. Retire la tapa protectora del tubo de gas.
2. Aplique un compuesto GLP (Gas licuado de petróleo) o 1.5 vueltas de cinta de teflón en todas las conexiones roscadas.
3. Conecte el suministro de gas a la secadora. Se requiere un accesorio adicional para conectar el extremo de la rosca hembra de 3/4” (1.9 cm) de un conector flexible al extremo de la rosca macho de 3/8” (1 cm) de la secadora. Ajuste los accesorios que cubren todas las roscas.
4. Abra el suministro de gas y verifique que no haya pérdidas con una solución jabonosa. Si encuentra alguna pérdida, ajuste las conexiones e inténtelo nuevamente. No use una llama abierta para verificar si hay pérdidas de gas.



PASO 3 Conecte el cableado eléctrico (para los modelos eléctricos)

Antes de conectar el cableado eléctrico, asegúrese de haber leído la sección “Requisitos eléctricos” en la página 21.

Sistema de 3 cables



- A. Conector a tierra externo
- B. Cable a tierra neutro (blanco)
- C. Tornillo central de color plateado del bloque de terminales
- D. Cable neutro (cable blanco o central)
- E. Dispositivo de alivio de tensión con certificación UL de 3/4" (1,9 cm)

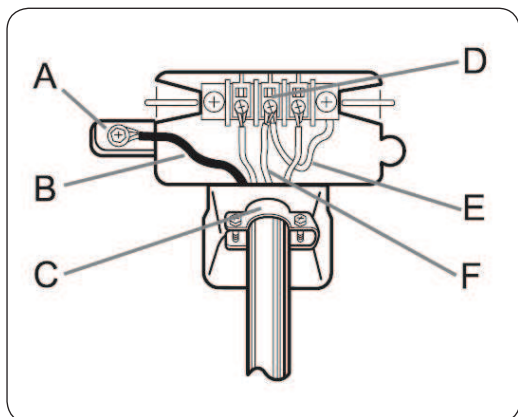
1. Afloje o retire el bloque central de terminales.
2. Conecte el cable neutro (cable blanco o central) del cable de alimentación a la terminal de tornillo central de color plateado del bloque de terminales. Ajuste los tornillos.
3. Conecte los demás cables a los tornillos externos del bloque de terminales. Ajuste los tornillos.
4. Ajuste los tornillos de alivio de tensión.
5. Inserte la cubierta del bloque de terminales en el panel trasero de la secadora. Luego, asegure la cubierta con un tornillo de sujeción.

PRECAUCIÓN

- Para realizar la conversión del sistema de 4 cables a 3 cables, conecte la cinta de conexión a tierra al soporte del bloque de terminales para conectar a tierra el armazón de la secadora al conductor neutro.
- Se recomienda utilizar terminales de tipo anillo. Si utiliza terminales de correa, asegúrese de que estén ajustados.

Instalación

Sistema de 4 cables



- A. Conector a tierra externo
- B. Cable verde o de cobre desnudo del cable de alimentación
- C. Dispositivo de alivio de tensión con certificación UL de 3/4" (1,9 cm)
- D. Tornillo central de color plateado del bloque de terminales
- E. Cable a tierra neutro (blanco)
- F. Cable neutro (cable blanco o central)

1. Retire el tornillo del conector externo a tierra y conecte el cable de conexión a tierra (verde o sin cubierta) del cable de alimentación al tornillo.

⚠ PRECAUCIÓN

- Para conectar el cable de conexión a tierra a la posición neutra sin atravesar el contacto A (conexión a tierra del gabinete), comuníquese con un técnico. No se trata de una operación que pueda realizar el usuario.
 - Se recomienda utilizar terminales de tipo anillo. Si utiliza terminales de correa, asegúrese de que estén ajustados.
2. Afloje o retire los tornillos del bloque central de terminales.
 3. Conecte el cable neutro (cable blanco o central) y el cable de conexión a tierra (blanco) al tornillo central del bloque de terminales. Ajuste el tornillo.
 4. Conecte los demás cables a los tornillos externos del bloque de terminales. Ajuste los tornillos.
 5. Ajuste los tornillos de alivio de tensión.
 6. Inserte la lengüeta de la cubierta del bloque de terminales en la ranura trasera de la secadora. Asegure la cubierta con un tornillo de sujeción.

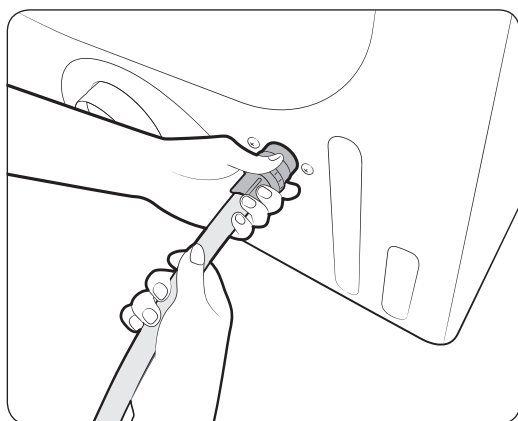
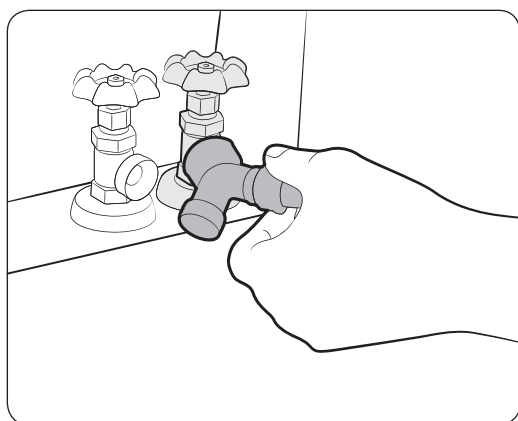
⚠ ADVERTENCIA

- Todos los modelos estadounidenses están fabricados para una conexión de sistemas de 3 cables. El armazón de la secadora está conectado a tierra al conductor neutro del bloque de terminales. Se requiere una conexión de sistemas de 4 cables para las construcciones nuevas o remodeladas, las casas rodantes o si los códigos locales no permiten la conexión a tierra a través del neutro. Si utiliza un sistema de 4 cables, no puede conectar a tierra el armazón de la secadora al conductor neutro del bloque de terminales.
- Retire la tapa del bloque de terminales. Inserte el cable de alimentación con un dispositivo de alivio de tensión con certificación UL a través del orificio provisto en el gabinete cerca del bloque de terminales.

- Se debe utilizar un dispositivo de alivio de tensión. No afloje las tuercas ya instaladas en el bloque de terminales. Asegúrese de que estén ajustadas. Utilice un tomacorriente para huecos profundos de 3/8" (1 cm).

PASO 4 Conectar la manguera de agua

La secadora debe conectarse a una llave de agua fría mediante las mangueras de agua provistas.

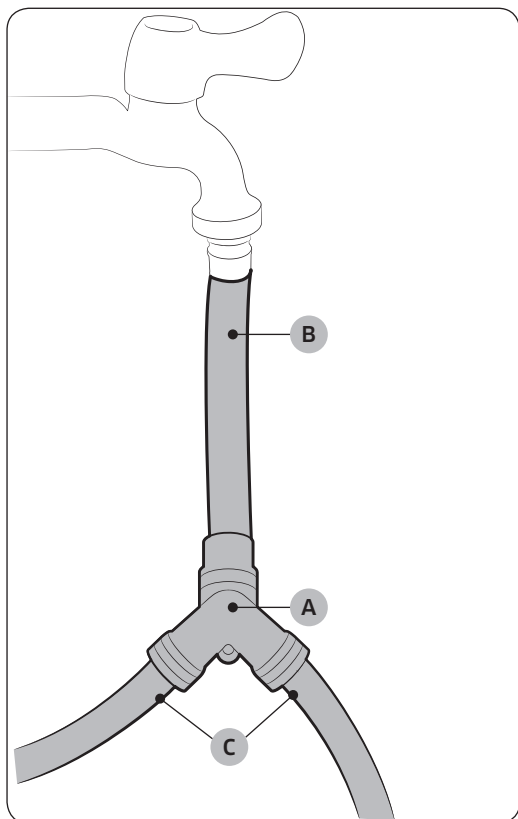


1. Cierre la llave de agua fría. Si tiene una manguera de agua fría de la lavadora conectada a la llave de agua fría, desatornille y quite la manguera. Luego, conecte el extremo hembra del conector en forma de Y a la llave de agua fría.
2. Conecte el extremo recto de la manguera de agua al conector en forma de "Y". Ajuste la unión de la manguera a mano.
3. Ajuste la unión con otros dos tercios de giro adicionales utilizando la pinza. No la ajuste en exceso. Puede dañar la unión.
4. Conecte el extremo angular de la manguera de agua a la válvula de carga en la parte inferior trasera de la secadora. Gire la unión manualmente hasta que esté ajustada.
5. Ajuste la unión con otros dos tercios de giro adicionales utilizando la pinza. No la ajuste en exceso. Puede dañar la unión.
6. Si ha desconectado la manguera de agua fría de la lavadora, una la manguera al extremo abierto del conector en forma de Y, ajuste bien la unión a mano y, luego, ajuste con otros dos tercios de giro adicionales utilizando la pinza.
7. Abra la llave de agua fría y verifique que no haya pérdidas.

Si el conector en forma de "Y" no puede conectarse directamente a la llave de agua fría, use una manguera corta. Consulte la sección "Uso de una manguera corta como prolongación" en la página 30.

Instalación

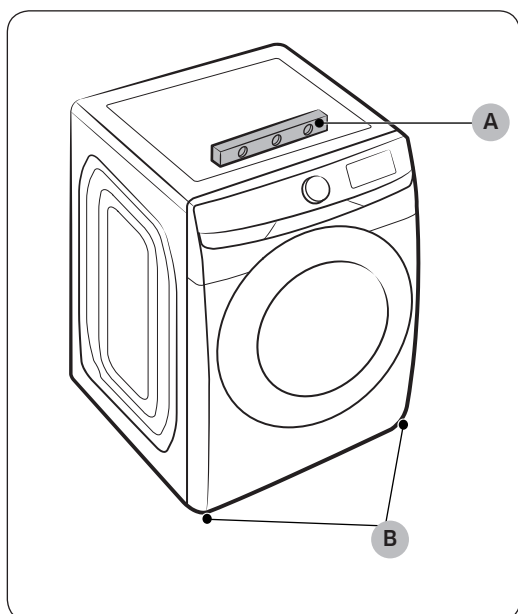
Uso de una manguera corta como prolongación



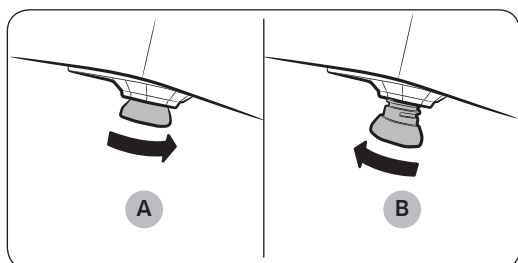
1. Cierre la llave de agua fría. Si tiene una manguera de agua fría de la lavadora conectada a la llave de agua fría, desatornille y quite la manguera. Luego, conecte la **manguera corta (B)** a la llave de agua fría. Gire la unión manualmente hasta que esté ajustada.
2. Ajuste la unión con otros dos tercios de giro adicionales utilizando la pinza. No la ajuste en exceso. Puede dañar la unión.
3. Una el **conector en forma de Y (A)** al extremo macho de bronce de la manguera corta. Gire la unión manualmente hasta que esté ajustada.
4. Ajuste la unión con otros dos tercios de giro adicionales utilizando la pinza. No la ajuste en exceso. Puede dañar la unión.
5. Conecte el extremo angular de las **mangueras de agua (C)** a la válvula de carga en la parte inferior trasera de la secadora. Gire la unión manualmente hasta que esté ajustada.
6. Ajuste la unión con otros dos tercios de giro adicionales utilizando la pinza. No la ajuste en exceso. Puede dañar la unión.
7. Si ha desconectado la manguera de agua fría de la lavadora, una la manguera al extremo libre del conector en forma de Y, ajuste bien la unión a mano y, luego, ajuste con otros dos tercios de giro adicionales utilizando la pinza.
8. Abra la llave de agua fría y verifique que no haya pérdidas.

PASO 5 Nivele la secadora

Para garantizar un desempeño óptimo, la secadora debe estar nivelada.



Con un **nivel (A)**, verifique si la secadora está nivelada de lado a lado y de adelante hacia atrás. Si la lavadora no está nivelada, gire la **pata niveladora (B)** hacia la derecha para bajar la lavadora y hacia la izquierda para elevarla.



NOTA

- Para colocar la secadora a la misma altura que la lavadora, **retraiga (A)** completamente las patas niveladoras girándolas en sentido contrario al de las agujas del reloj, luego **afloje (B)** las patas girándolas en el sentido de las agujas del reloj. Una vez que la secadora está a la misma altura que la lavadora, siga las instrucciones precedentes para nivelar la secadora.
- Ajuste las patas niveladoras solo lo necesario para nivelar la secadora. Extender las patas niveladoras más de lo necesario puede hacer que la secadora vibre.

Instalación

PASO 6 Encendido (para modelos a gas)

Asegúrese de que todas las conexiones de gas, el conducto de drenaje y el cableado se realicen correctamente. Luego, enchufe el cable de alimentación a una fuente de alimentación y verifique la instalación y el funcionamiento de la secadora con la lista final de verificación del paso 7.

PASO 7 Verificación final

Una vez finalizada la instalación, confirme que:

- La secadora está enchufada a un tomacorriente y está conectada a tierra correctamente.
- Los conductos de drenaje están conectados y se colocó cinta a las uniones.
- Usted usó conducto rígido o flexible con un recubrimiento de metal resistente, no conducto flexible de plástico.
- La secadora está nivelada y apoyada firmemente sobre el piso.
- La secadora se pone en funcionamiento, funciona, calienta y se apaga correctamente.
- El gas se proporciona correctamente, sin pérdidas (Solo para modelos a gas).

⚠ PRECAUCIÓN

Es posible que al principio el quemador no se encienda debido a la presencia de aire en el conducto de gas. Permitir que la secadora funcione con la opción de calor purgará el conducto. Si en el lapso de 5 minutos el gas no se enciende, apague la secadora y espere 5 minutos. Asegúrese de que el suministro de gas hacia su secadora esté abierto. Para confirmar que el gas está encendido, controle que se sienta calor en el drenaje.

Prueba de bloqueo de la ventilación

Una vez instalada la secadora, inicie la prueba de bloqueo de la ventilación para verificar si el sistema de conductos está instalado correctamente. La prueba de bloqueo de la ventilación detecta automáticamente el estado de los conductos e informa de cualquier bloqueo o problema. Una instalación correcta de los conductos puede reducir el tiempo de secado y ahorrar energía.

NOTA

La prueba de bloqueo de la ventilación debe realizarse cuando la secadora está fría. Si la secadora se calienta luego de la verificación de la instalación, ejecute el ciclo **AIR FLUFF (TEMPERATURA AMBIENTE)** durante algunos minutos para reducir su temperatura interna.

Ejecución de la prueba de bloqueo de la ventilación

1. Asegúrese de que el tambor esté vacío y luego cierre la puerta. (Si hay ropa u otros productos en el tambor, los resultados de la prueba no serán precisos.)
2. Presione el botón **Encender/Apagar** para encender la secadora, luego mantenga presionados simultáneamente los botones **Adjust Time (Ajustar tiempo)** ^ y **Dryness (Nivel de secado)** durante 3 segundos. “InS” aparece en la pantalla de la secadora. (Si ha iniciado otros procedimientos antes de la prueba de bloqueo de la ventilación, la secadora no accede al modo de prueba de bloqueo de la ventilación.)
3. Presione el botón **Inicio/Pausa (Hold to Start (Mantenga presionado para iniciar))** para comenzar el secado. La prueba de bloqueo de la ventilación se inicia inmediatamente. Durante la prueba, el indicador numérico gira en 6 pasos en el sentido de las agujas del reloj. La prueba dura aproximadamente 2 minutos. No abra la puerta durante la prueba.
4. Luego de 2 minutos, cuando la prueba se ha completado, se muestra el resultado y la secadora emite una señal. Si el estado del sistema de conductos es normal, se muestra “0” y la secadora emite una señal de finalización. Si el sistema de conductos no drena correctamente, se muestra “CLg” y la secadora emite una señal de alarma. Si hay otros problemas, aparece un código de información en la pantalla. Para obtener información del código, consulte la sección “Códigos de información” en la página 59.
 - Para detener o cancelar la prueba de bloqueo de la ventilación, presione el botón **Encender/Apagar** para apagar la secadora.
 - Durante la prueba, si aparece “dc” en la pantalla, asegúrese de que la puerta esté cerrada. Si aparece “C1”, vea si hay prendas dentro del tambor. En caso afirmativo, pare la prueba y retírelas. Luego vuelva a iniciar la prueba.
 - Los resultados se muestran en la pantalla durante aproximadamente 5 minutos y luego ésta se apaga en forma automática. Puede apagar el resultado inmediatamente presionando el botón **Encender/Apagar**.

Instalación

NOTA

- Durante y luego de la prueba, el interior del tambor está caliente. Tenga cuidado para evitar quemaduras. La prueba de bloqueo de la ventilación se usa para detectar problemas en el sistema de conductos actual cuando la secadora se instala por primera vez.
- Si el resultado de la prueba muestra “CLg” (el sistema de conductos está bloqueado), consulte la sección “Requisitos para el tendido de conductos” en la página 18 y la sección “Guía de los conductos de drenaje” siguiente, y tome las medidas adecuadas para corregir los problemas. Si la prueba se suspende, puede dar resultados incorrectos. Siga los procedimientos adecuados para realizar la prueba de la secadora.
- Aunque el resultado sea normal (“0”), el sistema de conductos puede estar ligeramente bloqueado. Instale correctamente los conductos de acuerdo con las instrucciones de instalación de este instructivo.

Guía de los conductos de drenaje

Conductos

1. Asegúrese de que la secadora esté instalada correctamente para que drene fácilmente.
2. Utilice conductos de metal rígido, de 4 pulgadas. Coloque cinta en todas las uniones, incluso en la conexión de la secadora. Nunca use tornillos que atrapen pelusa.
3. Para facilitar el drenaje, mantenga los conductos tan rectos como sea posible.

Limpieza

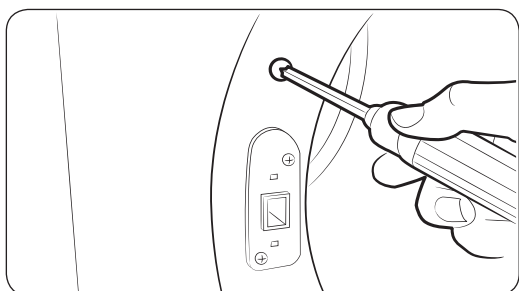
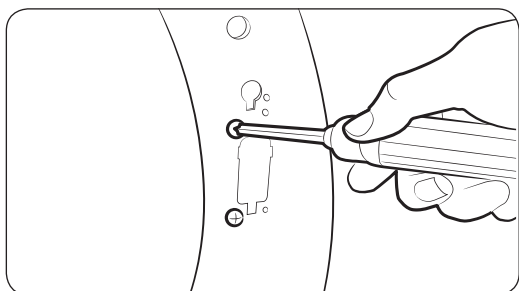
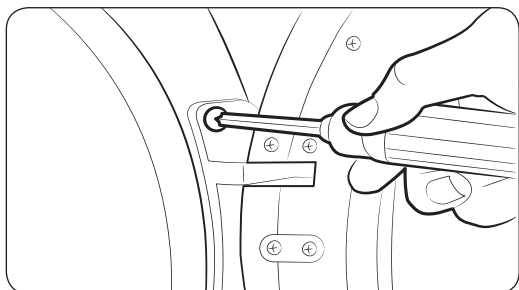
Limpie los conductos viejos antes de instalar la secadora y asegúrese de que la ventilación se abra y se cierre sin inconvenientes. Le recomendamos que limpie el sistema de drenaje anualmente o en forma regular.

ADVERTENCIA

- A fin de evitar incendios, no use ningún tipo de conducto plástico, con un recubrimiento delgado o de un material que no sea el metal.
- No use un mal sistema de drenaje dado que demora el desempeño de la secadora.
- No use conductos excesivamente largos con muchos codos.
- No use conductos o tubos de ventilación aplastados u obstruidos.

Inversión de la puerta

Tipo 1



1. Coloque una paño suave sobre el piso para apoyar la puerta después de retirarla. Esto impedirá que se raye la puerta.
2. Desconecte el cable de alimentación.
3. Retire los dos tornillos de la bisagra de la puerta.
4. Levante la puerta y retírela.

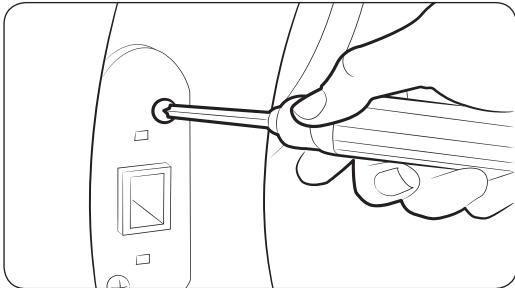
NOTA

Hay un tornillo en la parte trasera de la bisagra que apoyará la puerta mientras usted afloja los tornillos de la bisagra.

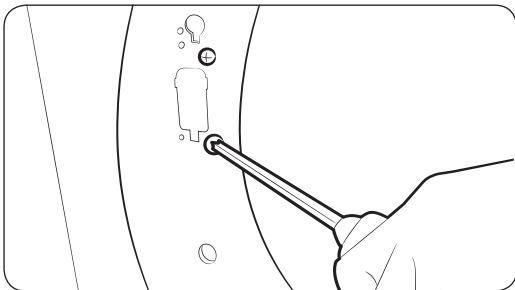
5. Retire los dos tornillos ubicados arriba y abajo del recorte del marco delantero.

6. Retire los dos tornillos ubicados arriba y abajo de la placa de apoyo del lado opuesto de la apertura de la puerta.

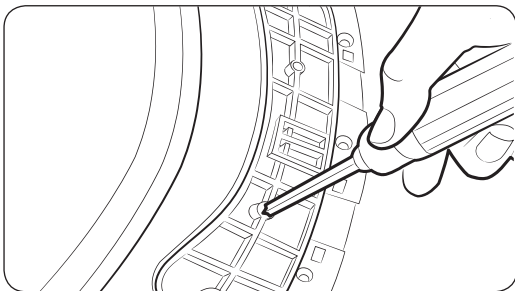
Instalación



7. Retire los dos tornillos que sostienen la placa de apoyo en su lugar y, luego, retire ésta.



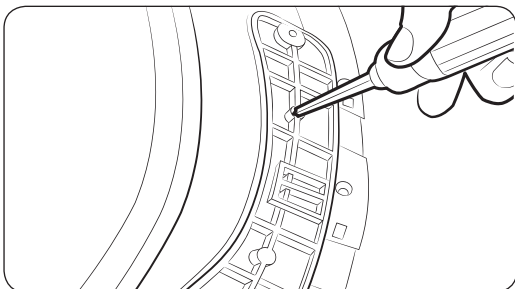
8. Vuelva a insertar los dos tornillos que sostenían la placa de apoyo en los mismos orificios de los tornillos y ajústelos.



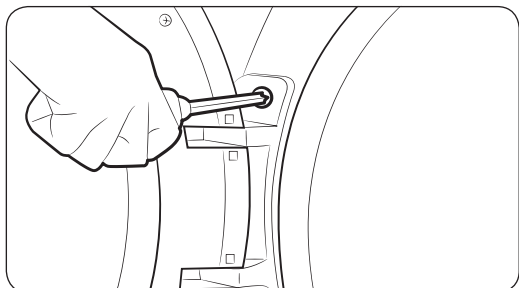
9. Retire el tornillo de la parte trasera de la bisagra de la puerta.

 **NOTA**

Hay un tornillo que apoya la puerta en el marco para que usted pueda aflojar o ajustar los tornillos de la bisagra sin necesidad de cargar la puerta.



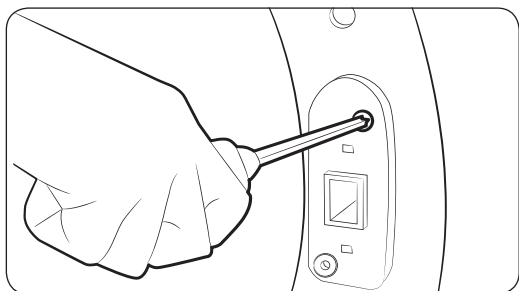
10. Inserte el tornillo recién retirado en el orificio del otro tornillo en la parte trasera de la bisagra de la puerta y ajústelo.



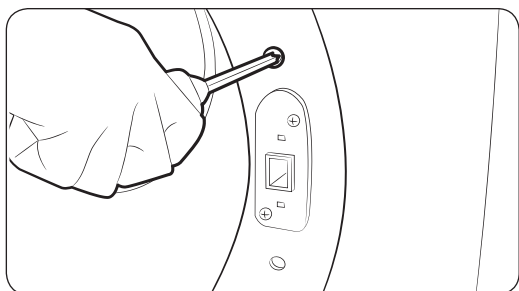
11. Coloque la puerta sobre el lado contrario y vuelva a fijarla a la secadora.

NOTA

Inserte la cabeza del tornillo de la parte trasera de la bisagra en el orificio ubicado sobre el recorte en el marco y luego deslice hacia abajo la bisagra de la puerta hasta que se detenga. Antes de ajustar los tornillos de la bisagra, asegúrese de que el saliente de la parte trasera de ésta encaja en el recorte.



12. Empuje la placa de apoyo en el recorte del lado contrario de la apertura de la puerta. Inserte los tornillos y ajústelos como se muestra.



13. Vuelva a insertar los tornillos restantes en los orificios restantes ubicados arriba y abajo de la placa de apoyo y ajústelos.

Antes de comenzar

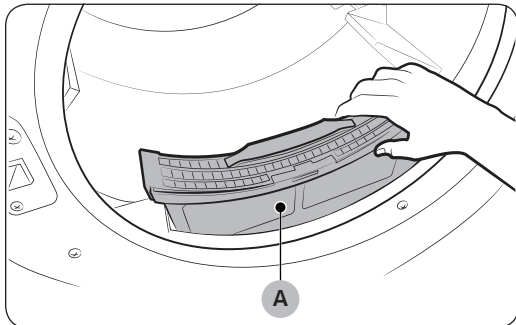
Antes de encender la secadora, debe saber algunas cosas.

Clasificación y carga

- Coloque una carga de ropa en la secadora por vez.
- No mezcle prendas pesadas y livianas.
- Para mejorar la eficiencia de secado al secar una o dos prendas, agregue una toalla seca a la carga.
- Para obtener mejores resultados, desenrede las prendas antes de colocarlas en la secadora. Las prendas enredadas pueden disminuir la eficacia del secado o hacer que se abra la puerta.
- La sobrecarga limita el funcionamiento y ocasiona un secado irregular, así como la formación de arrugas.
- A menos que se recomiende en la etiqueta, no seque prendas de lana o fibra de vidrio.
- Evite secar artículos sin lavar.
- No seque artículos muy sucios con aceite, alcohol, gasolina, etc.

Requisito de funcionamiento

Filtro para pelusas



Para evitar el riesgo de incendios, asegúrese de limpiar el filtro de pelusa antes o después de cada carga.

1. Apague la secadora.
2. Abra la puerta y retire el **filtro de pelusa (A)** del tambor.
3. Separe la parte superior del filtro de pelusa para abrirlo. Retire la pelusa y luego limpie el filtro.
4. Cierre el filtro de pelusa, vuelva a insertarlo en la secadora y cierre la puerta de la secadora.

⚠ PRECAUCIÓN

- No haga funcionar la secadora sin el filtro para pelusas insertado.
- No utilice un filtro de pelusa dañado o roto. Esto podría reducir el desempeño y/o provocar un incendio.

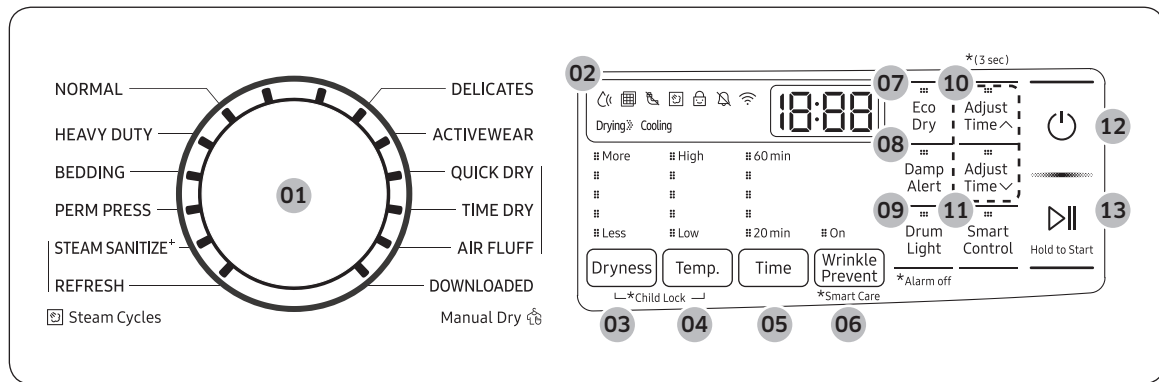
Funcionamiento

⚠ ADVERTENCIA

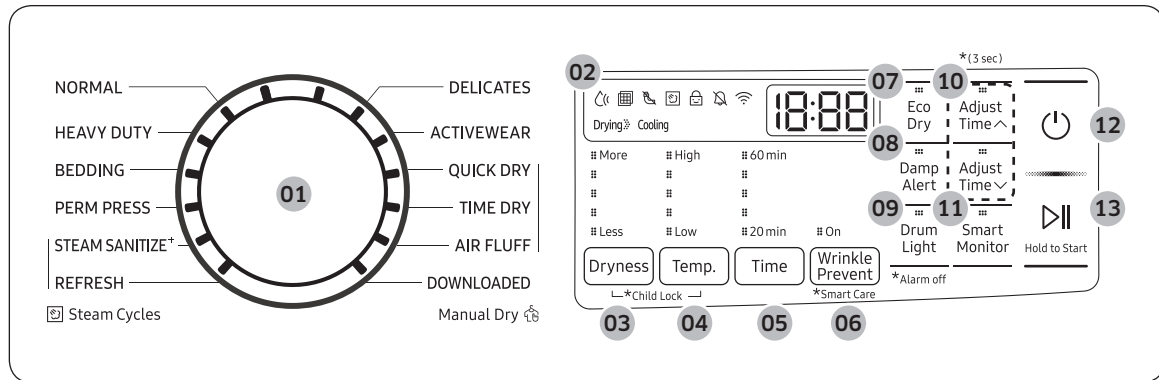
Para reducir el riesgo de incendio, descarga eléctrica o lesiones, lea “Información sobre seguridad” antes de poner en funcionamiento el electrodoméstico.

Panel de control

DVE45R6300*

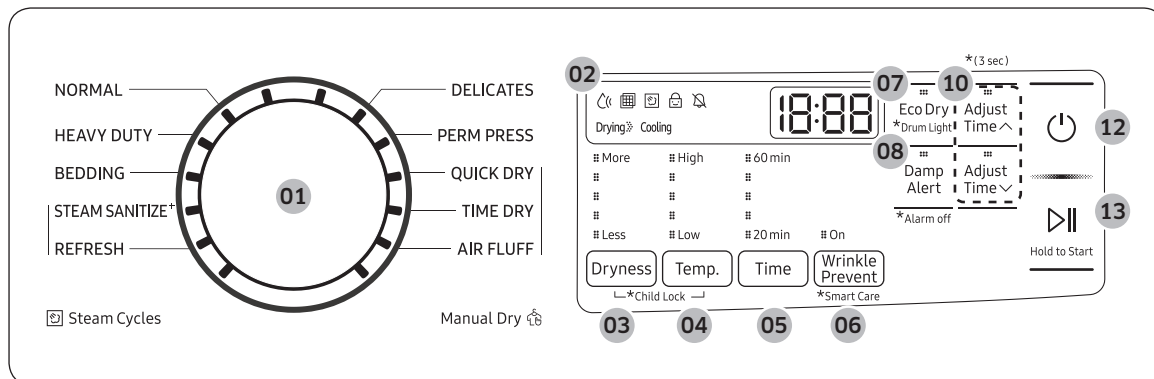


DVG45R6300*



Funcionamiento

DVE(G)45R6100*



<p>01 Selector de ciclos</p>	<p>Gire el selector de ciclos para seleccionar el ciclo deseado. La luz del indicador junto al nombre del ciclo se enciende.</p> <ul style="list-style-type: none"> • Steam Cycles (Ciclos de vapor): La secadora rocía agua sobre el tambor para desodorizar la ropa y reducir la electricidad estática y las arrugas. • Manual Dry (Secado manual): El tiempo de secado se fija.
<p>02 Pantalla gráfica digital</p>	<p>Muestra toda la información del ciclo, incluyendo el tiempo del ciclo, el código de información y el estado de funcionamiento de la secadora.</p>
<p>03 Dryness (Nivel de secado)</p>	<p>Presione para seleccionar el nivel de secado. Puede seleccionar entre 5 opciones diferentes (Menos a Más). Consulte las siguientes recomendaciones para seleccionar el nivel de secado adecuado.</p> <ul style="list-style-type: none"> • Para cargas más grandes o voluminosas, seleccione Más para un nivel de secado completo. • Para prendas que deben secarse en posición horizontal o colgadas, utilice Menos para secarlas parcialmente. <p>NOTA</p> <p>Esta opción se encuentra disponible únicamente con REFRESH (REFRESCAR), STEAM SANITIZE (DESINFECCIÓN CON VAPOR)+, ACTIVEWEAR (ROPA DEPORTIVA), TIME DRY (SECADO CON TEMPORIZADOR), QUICK DRY (SECADO RÁPIDO) y AIR FLUFF (TEMPERATURA AMBIENTE).</p>

04 Temp. (Temperatura)	<p>La temperatura solo se puede ajustar en el ciclo TIME DRY (SECADO CON TEMPORIZADOR).</p> <p>Presione para cambiar la temperatura del ciclo actual. Puede seleccionar entre 5 opciones diferentes (Baja a Alta). Seleccione la temperatura adecuada dependiendo de las prendas de la carga.</p> <ul style="list-style-type: none"> • High (Alta): Para los algodones resistentes o aquellos con el rótulo Secar en secadora. • Medium (Media): Para prendas de plancha permanente, telas sintéticas, algodones livianos u otras prendas con el rótulo Secar en secadora a temperatura media. • Low (Baja): Para prendas sensibles al calor con el rótulo Secar en secadora a temperatura baja o Secar en secadora a temperatura cálida. Ofrece la menor temperatura de secado con calor posible.
05 Time (Tiempo)	<p>Presione Time (Tiempo) para seleccionar el tiempo de secado para el ciclo seleccionado. Solo está disponible con TIME DRY (SECADO CON TEMPORIZADOR), QUICK DRY (SECADO RÁPIDO) y AIR FLUFF (TEMPERATURA AMBIENTE). Este botón no está disponible para los ciclos de secado con sensor ya que se determinan tiempos de secado exactos para los niveles de humedad fluctuantes.</p>
06 Wrinkle Prevent (Prevención de arrugas)	<p>Prevención de arrugas ofrece aproximadamente 180 minutos de secado intermitente con aire fresco al final del ciclo para reducir la formación de arrugas. Presione Wrinkle Prevent (Prevención de arrugas) para activar dicha función. La carga está seca y puede ser retirada en cualquier momento durante el ciclo de Prevención de arrugas.</p>
07 Eco Dry (Secado eco)	<p>Esta función está disponible en los ciclos NORMAL y TIME DRY (SECADO CON TEMPORIZADOR). Con la función Secado eco activada, el secado requiere más tiempo pero el consumo de energía se reduce.</p> <p>El tiempo de secado puede prolongarse hasta 3 veces más de lo normal, dependiendo de la temperatura y la carga. La función Secado eco está activada de manera predeterminada.</p>
08 Damp Alert (Prendas Secas)	<p>Esta alerta está disponible para todos los ciclos de Secado con sensor con excepción de ACTIVEWEAR (ROPA DEPORTIVA). Los niveles de secado disponibles son Normal, More (Más) y Extra (Extra Seco).</p> <p>Si una carga contiene prendas mixtas, el indicador de Damp Alert (Prendas Secas) parpadea cuando el promedio de secado de las prendas de la carga es de 80 %. Esto le permite retirar las prendas que no desea que se sequen completamente o que se secan rápidamente fuera de la secadora mientras deja que otras prendas sigan secándose.</p>

Funcionamiento

09 Drum Light (Luz Interior) (solo para modelos DVE(G)45R6300*)	Presione para encender o apagar la luz interior. La luz permanece encendida durante 2 minutos después de que se enciende, independientemente de si está encendida o apagada o de si la puerta está abierta o cerrada, y luego se apaga automáticamente.
10 Adjust Time (Ajustar tiempo)	Puede cambiar el tiempo ajustado para el ciclo seleccionado. Solo está disponible con TIME DRY (SECADO CON TEMPORIZADOR) , QUICK DRY (SECADO RÁPIDO) y AIR FLUFF (TEMPERATURA AMBIENTE) . Para cambiar la duración del ciclo, presione Adjust Time (Ajustar tiempo) ^ o Adjust Time (Ajustar tiempo) v hasta que aparezca el tiempo deseado.
11 Smart Control (para modelos DVE45R6300* únicamente) / Smart Monitor (para modelos DVG45R6300* únicamente)	Después de conectar la Secadora a la red doméstica mediante la aplicación SmartThings, puede controlar o supervisar la secadora de forma remota. Cuando se activa, el indicador de Smart Control (Smart Monitor) parpadea. La secadora entra en modo de espera para los comandos remotos.
12 Encender/Apagar	Presione para encender y apagar la secadora.
13 Inicio/Pausa (Hold to Start (Mantenga presionado para iniciar))	Mantenga presionado para iniciar el funcionamiento, o presione para detenerlo.


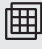
NOTA







No tome prendas extremadamente enredadas de su lavadora y las coloque en la secadora. Pueden disminuir la eficacia de la secadora o hacer que se abra la puerta. Recomendamos desenredar las prendas antes de colocarlas en la secadora. Tampoco coloque objetos sobre la secadora, en especial sobre el panel de control.

PRECAUCIÓN

No rocíe agua directamente sobre el panel de control. Puede producirse una falla de sistema.

Descripción de íconos

	Secado con sensor	Este ícono aparece cuando la secadora ejecuta el ciclo que detecta la humedad interna para determinar el tiempo de secado.
	Control del filtro	Este ícono aparece luego de cada carga para recordar que se debe limpiar el filtro para pelusas. Limpie el filtro para pelusas antes de cada ciclo y asegúrese de que el filtro esté bien colocado antes de iniciar un ciclo.

	Sensor de ventilación (Solo para modelos DVE(G)45R6300*)	La secadora está equipada con un sensor de ventilación que detecta y le informa cuándo es momento de limpiar los conductos. El indicador  le informa del estado del conducto.
	Vapor	Este ícono aparece cuando la secadora está ejecutando el proceso de vaporización. La secadora rocía agua sobre el tambor para desodorizar la ropa y reducir la electricidad estática y las arrugas.
	Seguro para niños	Este ícono indica que la función Seguro para niños está activada. Para obtener más información sobre la función Seguro para niños, consulte la página 50.
	Alarma apagada	Este ícono indica que la alarma está apagada. Para obtener más información sobre la función Alarma apagada, consulte la página 52.
	Wi-Fi (Solo para modelos DVE(G)45R6300*)	Este ícono indica que la secadora está conectada a una Wi-Fi.

Sencillos pasos para comenzar

1. Presione **Encender/Apagar** para poner en funcionamiento la secadora.
2. Gire el **selector de ciclos** para seleccionar el ciclo deseado.
3. Cambie las configuraciones de ciclo (**Dryness (Nivel de secado)**, **Temp. (Temperatura)** y **Time (Tiempo)**) según sea necesario.
4. Seleccione las opciones deseadas según sea necesario.
5. Mantenga presionado **Inicio/Pausa (Hold to Start (Mantenga presionado para iniciar))**.

Para cambiar el ciclo durante el funcionamiento

1. Presione **Inicio/Pausa (Hold to Start (Mantenga presionado para iniciar))** para detener el funcionamiento.
2. Seleccione un ciclo diferente y repita los pasos 2 y 4 de arriba si es necesario.
3. Mantenga presionado **Inicio/Pausa (Hold to Start (Mantenga presionado para iniciar))** nuevamente para iniciar el nuevo ciclo.

Funcionamiento

Descripción del ciclo

Ciclos normales

Ciclo	Descripción
NORMAL	Para la mayoría de las telas, incluido algodón y lino. Si está seleccionado el ciclo Normal, la función Secado eco está activada de manera predeterminada. Para obtener más información, consulte Secado eco en la sección "Panel de control".
HEAVY DUTY (CARGA PESADA)	Para secar prendas de tela resistente, tales como los jeans, la pana y la ropa de trabajo con calor a alta temperatura.
BEDDING (ROPA DE CAMA)	Para prendas voluminosas, como cobijas, sábanas y edredones.
PERM PRESS (PLANCHA PERMANENTE)	Para secar automáticamente prendas de algodón sin arrugas, también telas sintéticas, tejidos y telas antiarrugas.
STEAM SANITIZE (DESINFECCIÓN CON VAPOR) ⁺	Úselo para desinfectar prendas mediante la aplicación de vapor y calor a alta temperatura a las telas. Este ciclo puede suavizar las prendas y reducir los olores. Verifique que la carga de ropa esté mojada o parcialmente mojada antes de iniciar este ciclo.
REFRESH (REFRESCAR)	Úselo para alisar arrugas y reducir olores en cargas de una a cuatro prendas. Cuando se selecciona este ciclo, se rocía una pequeña cantidad de agua en el tambor de la secadora después de varios minutos de secado con calor. Antes de retirar la ropa, verifique que esté seca.
DELICATES (DELICADOS)	Para secar prendas sensibles al calor a baja temperatura de secado.
ACTIVEWEAR (ROPA DEPORTIVA) (Únicamente para modelos DVE(G)45R6300*)	Para prendas para hacer ejercicio y actividades al aire libre tales como jerseys de deporte, pantalones deportivos, chaquetas impermeables u otras prendas de entrenamiento. Es posible que las telas gruesas como los cierres relámpago o de velcro de una chaqueta o las medias de entrenamiento no queden totalmente secas.
DOWNLOADED (DESCARGADO) (Únicamente para modelos DVE(G)45R6300*)	<ul style="list-style-type: none">• Seleccione para elegir más ciclos disponibles en la aplicación SmartThings desde su teléfono inteligente.• Ciclos disponibles: TOWELS (TOALLAS), SANITIZE (DESINFECCIÓN), SHIRTS (CAMISAS), JEANS, WOOL (LANA), ECO NORMAL (NORMAL ECO), SMALL LOAD (CARGA PEQUEÑA), LOW TEMP. (BAJA TEMPERATURA), RACK DRY (ESTANTE DE SECADO), WRINKLE AWAY (ANTIARRUGAS)• Configuración de fábrica: WRINKLE AWAY (ANTIARRUGAS)

Secado manual

Puede cambiar los ajustes de secado en forma manual según su preferencia.

Ciclo	Descripción
QUICK DRY (SECADO RÁPIDO)	Un ciclo de secado rápido que dura 30 minutos.
TIME DRY (SECADO CON TEMPORIZADOR)	Permite seleccionar el tiempo del ciclo en minutos. Si SECADO CON TEMPORIZADOR está seleccionado, la función Secado eco está activada de manera predeterminada. Para obtener más información, consulte Secado eco en la sección "Panel de control".
AIR FLUFF (TEMPERATURA AMBIENTE)	Seca la carga con aire a temperatura ambiente.

Funcionamiento

Tabla de ciclos

NOTA

Para obtener los mejores resultados, siga las recomendaciones sobre el tamaño de la carga para cada ciclo de secado.

- Carga grande: Llène aproximadamente 3/4 del tambor. No agregue prendas por encima de este nivel para que puedan dar vueltas con libertad.
- ◐ Carga media : Llène aproximadamente 1/2 del tambor.
- Carga pequeña : Coloque de 3 a 5 prendas y no llene más de 1/4 del tambor.

Ciclo	Prendas recomendadas	Tamaño de la carga	Nivel de secado
NORMAL	Algodón, ropa de trabajo, ropa de cama y de mesa, cargas mixtas	●	Secado normal (Ajustable)
HEAVY DUTY (CARGA PESADA)	Telas resistentes, tales como jeans, pana y ropa de trabajo pesado	●	Secado normal (Ajustable)
BEDDING (ROPA DE CAMA)	Prendas voluminosas, tales como cobijas, sábanas, edredones y almohadas	●	Secado normal (Ajustable)
PERM PRESS (PLANCHA PERMANENTE)	Camisas, telas sintéticas, tejidos, prendas de algodón sin arrugas y telas con planchado	◐	Secado normal (Ajustable)
STEAM SANITIZE (DESINFECCIÓN CON VAPOR) ⁺	Ropa de cama, cortinas, prendas para niños	◐	Muy seco (No ajustable)
REFRESH (REFRESCAR)	Camisas, pantalones, edredones, almohadas	○	-
DELICATES (DELICADOS)	Ropa interior, blusas, lencería	◐	Secado normal (Ajustable)
ACTIVEWEAR (ROPA DEPORTIVA) (Únicamente para modelos DVE(G)45R6300*)	Prendas impermeables, prendas de entrenamiento, ropa deportiva (Máximo: 4 lbs)	◐	Secado normal (No ajustable)
QUICK DRY (SECADO RÁPIDO)	Cargas pequeñas	○	-
TIME DRY (SECADO CON TEMPORIZADOR)	Cualquier carga	●	-
AIR FLUFF (TEMPERATURA AMBIENTE)	Goma espuma, plástico	○	-

NOTA

● : configurado de fábrica, ○ : se puede seleccionar

Ciclo	Funciones (Control de temperatura)					Time (Tiempo)
	High (Alta)	⋮	⋮	⋮	Low (Baja)	
NORMAL		●				
HEAVY DUTY (CARGA PESADA)	●					
BEDDING (ROPA DE CAMA)	●					
PERM PRESS (PLANCHA PERMANENTE)			●			
STEAM SANITIZE (DESINFECCIÓN CON VAPOR) ⁺	●					
REFRESH (REFRESCAR)	●					
DELICATES (DELICADOS)					●	
ACTIVEWEAR (ROPA DEPORTIVA) (Únicamente para modelos DVE(G)45R6300*)		●				
QUICK DRY (SECADO RÁPIDO)	●					○
TIME DRY (SECADO CON TEMPORIZADOR)	●	○	○	○	○	○
AIR FLUFF (TEMPERATURA AMBIENTE)						○

Funcionamiento

Ciclo	Opciones				
	Adjust Time (Ajustar tiempo)	Damp Alert (Prendas Secas)	Eco Dry (Secado eco)	Anti Static (Antiestática)	Wrinkle Prevent (Prevención de arrugas)
NORMAL		<input type="radio"/>	<input type="radio"/>	<input type="radio"/>	<input type="radio"/>
HEAVY DUTY (CARGA PESADA)		<input type="radio"/>		<input type="radio"/>	<input type="radio"/>
BEDDING (ROPA DE CAMA)		<input type="radio"/>			<input type="radio"/>
PERM PRESS (PLANCHA PERMANENTE)		<input type="radio"/>		<input type="radio"/>	<input type="radio"/>
STEAM SANITIZE (DESINFECCIÓN CON VAPOR) [†]					<input type="radio"/>
REFRESH (REFRESCAR)					<input type="radio"/>
DELICATES (DELICADOS)		<input type="radio"/>		<input type="radio"/>	<input type="radio"/>
ACTIVEWEAR (ROPA DEPORTIVA) (Únicamente para modelos DVE(G)45R6300*)					<input type="radio"/>
QUICK DRY (SECADO RÁPIDO)	<input type="radio"/>				<input type="radio"/>
TIME DRY (SECADO CON TEMPORIZADOR)	<input type="radio"/>		<input type="radio"/>	<input type="radio"/>	<input type="radio"/>
AIR FLUFF (TEMPERATURA AMBIENTE)	<input type="radio"/>				<input type="radio"/>

Guía de secado

La mejor manera de secar las prendas es seguir las instrucciones de la etiqueta. Si no se brindan instrucciones de secado, consulte la siguiente tabla a modo de referencia.

Prenda	Descripción
Cubrecamas y edredones	Siga las instrucciones de la etiqueta con indicaciones o seque en el ciclo ROPA DE CAMA. <ul style="list-style-type: none">Asegúrese de que la prenda esté completamente seca antes de usarla o guardarla.Tal vez deba volver a colocarla en el tambor para garantizar un secado uniforme.
Cobijas	Use el ciclo Normal y seque de a una sola cobija por vez para lograr un mejor funcionamiento de la secadora. <ul style="list-style-type: none">Asegúrese de que las cobijas estén completamente secas antes de usarlas o guardarlas.
Cortinas y paños de tela	Utilice PLANCHA PERMANENTE y la temperatura Medium (Media) para minimizar la formación de arrugas. <ul style="list-style-type: none">Seque cortinas y paños de tela en tandas pequeñas para obtener mejores resultados y retírelos lo antes posible una vez finalizado el ciclo.
Pañales de tela	Utilice NORMAL y el ajuste de temperatura Medium (Medio) para pañales suaves y mullidos.
Prendas con relleno de plumas (chaquetas, bolsas de dormir, edredones, etc.)	Utilice NORMAL y el ajuste de temperatura Medium (Medio). <ul style="list-style-type: none">Agregue un par de toallas secas para absorber la humedad y acortar el tiempo de secado.
Goma espuma (reverso de alfombras, muñecos de peluche, hombreras, etc.)	No seque con el ciclo de secado con calor. ⚠ ADVERTENCIA Secar un artículo de goma con calor puede dañarlo o causar un incendio.
Almohadas	Utilice NORMAL. <ul style="list-style-type: none">Agregue un par de toallas secas y un par de zapatillas limpias para mejorar el funcionamiento de la secadora y ahuecar las almohadas.No seque almohadas de capoc o de goma espuma utilizando un ciclo de secado con calor.
Plásticos (cortinas de baño, cubiertas de muebles para exteriores, etc.)	Utilice SECADO CON TEMPORIZADOR o el ajuste de temperatura (Bajo) de acuerdo con las instrucciones de la etiqueta.

Funcionamiento

ADVERTENCIA

No seque:

- Artículos de fibra de vidrio (cortinas, paños de tela, etc.)
- Lanas, salvo que se recomiende en la etiqueta
- Artículos manchados o embebidos en aceite vegetal o de cocina

Funciones especiales

Seguro para niños

La función Seguro para niños evita que los niños jueguen con la secadora. Cuando el Seguro para niños está activado, todos los botones excepto **Encender/Apagar** se desactivan.

Para activar/desactivar el Seguro para niños, mantenga presionados simultáneamente **Dryness (Nivel de secado)** y **Temp. (Temperatura)** durante 3 segundos.

NOTA

Una vez activado el Seguro para niños permanecerá activo incluso después que encienda la secadora nuevamente. Si otros botones, salvo el botón **Encender/Apagar**, no responden, verifique el indicador de Seguro para niños. Si el indicador está encendido, siga las instrucciones precedentes para desactivar el Seguro para niños.

Smart Care

Para activar esta función, primero se debe descargar la aplicación SmartThings en Play Store o en App Store e instalarla en un dispositivo móvil con la función de cámara. La función Smart Care se ha optimizado para las series Galaxy e iPhone (únicamente para los modelos aplicables).

1. Cuando la secadora detecta un problema que requiere revisión, aparece un código de información en el display. Para seleccionar el modo Smart Care, mantenga presionado **Wrinkle Prevent (Prevención de arrugas)** durante 3 segundos.
2. La secadora inicia el proceso de autodiagnóstico y muestra un código de información en caso de que detecte algún problema.
3. Ejecute la aplicación SmartThings en su dispositivo móvil y, luego, toque **Smart Care**.
4. Coloque el dispositivo móvil cerca de la pantalla de la secadora de manera que la cámara del teléfono inteligente quede frente a la secadora. La aplicación reconoce el código de información automáticamente.
5. Cuando el código de información se reconoce correctamente, la aplicación proporciona información detallada sobre el problema y las soluciones aplicables.

NOTA

- El nombre de la función, Smart Care, puede variar según el idioma.
- Si se refleja una luz en la pantalla de la secadora, es posible que la aplicación no reconozca el código de información.
- Si la aplicación no reconoce el código de información, puede ingresarlo manualmente en la aplicación.

Funcionamiento

Alarma Apagada

Puede encender o apagar la alarma. Cuando la alarma está apagada, la melodía de finalización de ciclo y el pitido de apagado no suenan. Sin embargo, los demás sonidos permanecen activos.

- Para el modelo DVE(G)45R6300*, presione y mantenga presionado el botón **Drum Light (Luz Interior)** durante 3 segundos.
- Para el modelo DVE(G)45R6100*, presione y mantenga presionado el botón **Damp Alert (Prendas Secas)** durante 3 segundos.
- La configuración se conservará incluso una vez que apague la secadora. Puede encender la alarma nuevamente manteniendo presionado el mismo botón durante 3 segundos.

Luz interior (solo para modelos DVE(G)45R6100*)

Mantenga presionada la tecla **Eco Dry (Secado eco)** durante 3 segundos para encender o apagar la luz del tambor.

NOTA

La luz permanece encendida durante 2 minutos después de que se enciende, independientemente de si está encendida o apagada o de si la puerta está abierta o cerrada, y luego se apaga automáticamente.

Ciclo DESCARGADO (Únicamente para modelos DVE(G)45R6300*)

Puede seleccionar más ciclos disponibles en la aplicación SmartThings de su teléfono inteligente.

1. Seleccione el ciclo **DOWNLOADED (DESCARGADO)** en su teléfono inteligente.
Puede seleccionar entre TOWELS (TOALLAS), SANITIZE (DESINFECCIÓN), SHIRTS (CAMISAS), JEANS, WOOL (LANA), ECO NORMAL (NORMAL ECO), SMALL LOAD (CARGA PEQUEÑA), LOW TEMP. (BAJA TEMPERATURA), RACK DRY (ESTANTE DE SECADO), y WRINKLE AWAY (ANTIARRUGAS).
2. Presione **Encender/Apagar** en la secadora.
3. Gire el **selector de ciclos** para seleccionar **DOWNLOADED (DESCARGADO)**.
4. Mantenga presionado **Inicio/Pausa (Hold to Start (Mantenga presionado para iniciar))**.

Bixby (Únicamente para modelos DVE(G)45R6300*)

Bixby le permite disfrutar fácilmente de una amplia variedad de servicios y contenidos, y aprovechar los servicios de personalización inteligente. (Solo los productos aplicables admiten la función de comando de voz. Para los productos que no son compatibles con el comando de voz, puede descargar la aplicación SmartThings y conectarse desde cualquier dispositivo móvil Samsung que admita el comando de voz para utilizar algunas de las funciones del producto mediante el comando de voz).



SmartThings (Únicamente para modelos DVE(G)45R6300*)

Conexión Wi-Fi

En su teléfono inteligente, vaya a **Settings (Ajustes)**, active la conexión inalámbrica y seleccione un AP (Punto de acceso).

- Este electrodoméstico admite los protocolos Wi-Fi 2.4 GHz.

Descargas

En una tienda de aplicaciones (Google Play Store, Apple App Store, Samsung Galaxy Apps), busque la aplicación SmartThings con el término de búsqueda "SmartThings". Descargue e instale la aplicación en su dispositivo.

NOTA

La aplicación está sujeta a cambios sin previo aviso para mejorar el producto.

Inicio de sesión

En primer lugar, debe iniciar sesión en SmartThings con su cuenta Samsung. Para crear una nueva cuenta Samsung, siga las instrucciones de la aplicación. No necesita otra aplicación para crear su cuenta.

NOTA

Si tiene una cuenta Samsung, utilícela para iniciar sesión. Un usuario de teléfono inteligente Samsung registrado inicia sesión de manera automática.

Para registrar su electrodoméstico en SmartThings

1. Asegúrese de que su teléfono inteligente esté conectado a una red inalámbrica. De lo contrario, vaya a **Settings (Ajustes)**, active la conexión inalámbrica y seleccione un AP (Punto de acceso).
2. Abra **SmartThings** en su teléfono inteligente.
3. Si aparece un mensaje que reza "A new device is found (Se ha encontrado un nuevo dispositivo)", seleccione **Add (Agregar)**.
4. Si no aparece ningún mensaje, seleccione **+** y elija su electrodoméstico de una lista de dispositivos disponibles. Si su electrodoméstico no figura, seleccione **Device Type (Tipo de dispositivo) > Specific Device Model (Modelo de dispositivo específico)**, y luego agregue su electrodoméstico manualmente.
5. Registre su electrodoméstico en la aplicación SmartThings .
 - a. Agregue su electrodoméstico en SmartThings. Asegúrese de que su electrodoméstico esté conectado a SmartThings.
 - b. Al completar el registro, aparecerá el nombre de su electrodoméstico en su teléfono inteligente.



Mantenimiento

Mantenga la secadora limpia para lograr un mejor rendimiento y prolongar su vida útil.

ADVERTENCIA

Algunas piezas internas no están conectadas a tierra intencionalmente y pueden presentar riesgo de descarga eléctrica únicamente durante el servicio técnico.

Personal del servicio técnico: No toque las siguientes piezas mientras el electrodoméstico está recibiendo electricidad: Panel de control y válvula de entrada.

Limpieza

Panel de control

- Limpie con un paño suave y húmedo. No utilice sustancias abrasivas.
- No rocíe productos de limpieza líquidos directamente en la pantalla de la secadora.
- Algunos productos removedores de suciedad y manchas de tratamiento previo pueden dañar el panel de control.
- Al usar productos de limpieza líquidos, aplíquelos a la ropa. No los aplique directamente en la secadora. Limpie el líquido derramado o rociado inmediatamente.

Tambor

- Elimina las manchas del tambor con un limpiador multiuso.
- Seque toallas o trapos para eliminar restos de manchas o productos de limpieza. Las manchas pueden ser aún visibles, pero no afectarán las cargas posteriores.

Tambor acabado con pintura en polvo

Para limpiar el tambor acabado con pintura en polvo, use un paño humedecido con un limpiador suave, no abrasivo, adecuado para superficies que se deterioran fácilmente.

Elimine los residuos del limpiador y seque con un paño limpio.

Exterior de la secadora

- Limpie con un paño suave y húmedo. No utilice sustancias abrasivas.
- Proteja la superficie de objetos afilados.
- No coloque objetos pesados ni afilados ni tampoco un envase de detergente sobre la secadora. Pueden rayar o dañar la cubierta superior de la secadora.
- La secadora tiene un acabado brillante en toda su superficie. Tenga cuidado de no rayar ni dañar la superficie.

Sistema de drenaje

- Controle y limpie el sistema de drenaje regularmente para mantener un desempeño óptimo.
- La tapa de drenaje externa debe limpiarse con frecuencia para garantizar un flujo de aire adecuado.

Solución de problemas

Verificaciones

Si la secadora funciona en forma anormal, primero consulte la lista de problemas en la tabla siguiente y pruebe las sugerencias.

Problema	Acción
No funciona.	<ul style="list-style-type: none">• Asegúrese de que la puerta esté cerrada.• Asegúrese de que el cable de alimentación esté conectado a un tomacorriente que funcione.• Controle los disyuntores o fusibles de su casa.• Presione o toque Inicio/Pausa (Hold to Start (Mantenga presionado para iniciar)) nuevamente si la puerta se abrió durante un ciclo.• Limpie el filtro para pelusas.
No calienta.	<ul style="list-style-type: none">• Controle los disyuntores o fusibles de su casa.• Algunos ciclos no requieren calor. Verifique nuevamente el ciclo seleccionado.• En una secadora a gas, asegúrese de que el suministro de gas esté abierto.• Limpie el filtro para pelusas y el conducto de drenaje.• La secadora puede haberse desplazado a la fase de enfriamiento del ciclo.• Encienda la opción Secado eco para los ciclos NORMAL o TIME DRY (SECADO CON TEMPORIZADOR) . Cuando se activa la opción Secado eco, la secadora realiza un proceso de secado con aire al inicio del ciclo para reducir el consumo de energía. El proceso de secado por aire no utiliza aire caliente, por lo que puede sentir que la secadora no se caliente, pero es normal.

Solución de problemas

Problema	Acción
No seca.	<ul style="list-style-type: none">• Verifique todos los ítem anteriores y, además...• Asegúrese de que la tapa de drenaje hacia el exterior de su casa se pueda abrir y cerrar sin inconvenientes.• Verifique que el sistema de drenaje no presente obstrucciones. Los conductos deben inspeccionarse y limpiarse todos los años.• Utilice un conducto de drenaje de metal rígido, de 4".• No la sobrecargue. 1 carga de lavado = 1 carga de secado.• Seque los artículos pesados y los livianos por separado.• Es posible que sea necesario volver a colocar los artículos grandes y voluminosos, como las cobijas o los edredones, para garantizar un secado uniforme.• Asegúrese de que la lavadora esté drenando en forma correcta y extrayendo el agua de la carga adecuadamente.• Es posible que la carga sea demasiado pequeña como para secarse correctamente. Agregue algunas toallas y reinicie la secadora.• Es posible que la carga sea demasiado grande como para secarse correctamente. Retire algunas prendas y vuelva poner en funcionamiento la secadora.• Limpie el filtro para pelusas.
Hace ruido.	<ul style="list-style-type: none">• Verifique si en la carga hay objetos tales como monedas, botones flojos, clavos, etc. Retírelos de inmediato.• Es normal escuchar el ruido de la válvula de gas de la secadora o que el ciclo del dispositivo de calor se enciende o se apaga durante el ciclo de secado.• Asegúrese de que la secadora esté correctamente nivelada tal como se describe en las instrucciones de instalación.• Es normal que la secadora emita un zumbido debido a la alta velocidad del aire que se mueve por el tambor de la secadora, el ventilador y el sistema de drenaje.

Problema	Acción
No seca de manera uniforme.	<ul style="list-style-type: none"> • Es posible que las costuras, los bolsillos y otras áreas resistentes similares no se sequen por completo cuando el resto de la carga ha llegado al nivel de secado seleccionado. Esto es normal. Puede elegir un nivel de secado más alto o un ciclo que incluya un nivel de secado más alto. • Si se seca un artículo pesado con una carga liviana, por ejemplo una toalla con sábanas, es posible que el artículo pesado no esté completamente seco cuando el resto de la carga alcance el nivel de secado seleccionado. • Para obtener mejores resultados, seque los artículos pesados y los livianos por separado.
Tiene olor.	<ul style="list-style-type: none"> • Los olores del hogar, ya sea que provengan de la pintura, el barniz, los limpiadores potentes, etc., pueden ingresar en la secadora con el aire del ambiente. Esto es normal puesto que la secadora extrae el aire de la habitación, lo calienta y lo hace circular por el tambor y lo expulsa a través del drenaje hacia el exterior. • Si estos olores permanecen en el aire, ventile bien la habitación antes de usar la secadora. • Utilice el ciclo REFRESH (REFRESCAR). Si los olores persisten, vuelva a lavar y secar los artículos.
Pelusa en las prendas.	<ul style="list-style-type: none"> • Limpie el filtro para pelusas antes de cada carga. Para la ropa que naturalmente acumula pelusas, limpie el filtro durante el ciclo. • Algunas telas producen pelusa (por ejemplo, una toalla de algodón blanco con mucho pelo) y deben secarse por separado de las prendas que atrapan pelusa (por ejemplo, un par de pantalones de lino negro). • Divida las cargas grandes en cargas más pequeñas para el secado. • Revise bien los bolsillos antes de secar las prendas, luego séquelas. • Quite las pelusas de adentro del tambor antes del secado.
Prendas arrugadas después de la prevención de arrugas (Wrinkle Away (Antiarrugas), Wrinkle Release (Desarrugar)).	<ul style="list-style-type: none"> • Funciona mejor con cargas pequeñas de 1 a 4 prendas. • Cargue menos prendas. Cargue prendas similares. • Retire las prendas de inmediato una vez finalizado el secado.
Gotea agua de la boquilla cuando comienzan los ciclos de vapor.	<ul style="list-style-type: none"> • Esto se debe a la condensación del vapor. El goteo de agua se detendrá en unos minutos.

Solución de problemas

Problema	Acción
No se ve el agua rociada durante los ciclos de vapor.	<ul style="list-style-type: none">El agua rociada es difícil de ver cuando la puerta está cerrada.
Tiempo prolongado.	<ul style="list-style-type: none">Sensor Dry (Secado con sensor) detecta automáticamente la humedad de la carga y apaga la secadora cuando alcanza el nivel de secado seleccionado. El tiempo de secado puede variar de acuerdo con el tipo y la cantidad de prendas. Consulte la tabla de ciclos para obtener referencias.

Si el problema persiste, comuníquese con un centro de servicio local de Samsung.

Códigos de información

Si la secadora no funciona bien, puede ver un código de información en el panel de la pantalla. Para determinar qué debe hacer, consulte la lista de códigos en la tabla siguiente y pruebe las sugerencias.

Código	Acción
dC	La secadora funciona con la puerta abierta. <ul style="list-style-type: none">• Asegúrese de que la puerta esté perfectamente cerrada.• Asegúrese de que no quede ropa trabada en la puerta.
FC	Frecuencia de fuente de alimentación no válida. <ul style="list-style-type: none">• Intente reiniciar el ciclo.• Si este código de información permanece, comuníquese con un centro de servicio de Samsung.
AC	Problema con el control electrónico (Comunicación no válida). <ul style="list-style-type: none">• Comuníquese con un centro de servicio de Samsung.
HC	Verificación de temperatura alta. <ul style="list-style-type: none">• Limpie el filtro para pelusas.• Si este código de información permanece, comuníquese con un centro de servicio de Samsung.
9C1	Se debe revisar el control electrónico. <ul style="list-style-type: none">• Revise si la alimentación se suministra normalmente.• Si el código de información permanece, comuníquese con un centro de servicio de Samsung.
tC	La resistencia del termistor 1 es muy baja o muy alta. <ul style="list-style-type: none">• Revise si el filtro para pelusas está obstruido.• Revise si el sistema de ventilación está restringido.• Si este código de información permanece, comuníquese con un centro de servicio de Samsung.
tC5	La resistencia del termistor 2 es muy baja o muy alta. <ul style="list-style-type: none">• Revise si el filtro para pelusas está obstruido.• Revise si el sistema de ventilación está restringido.• Si este código de información permanece, comuníquese con un centro de servicio de Samsung.
dF	Interruptor de la puerta incorrecto. <ul style="list-style-type: none">• Comuníquese con un centro de servicio de Samsung.





Si un código de información sigue apareciendo en la pantalla, comuníquese con un centro de servicio de Samsung.

Especificaciones

Tabla de indicaciones sobre telas

Los siguientes símbolos ofrecen indicaciones acerca de las prendas. La etiqueta de indicaciones de la prenda incluye símbolos para secado, blanqueado, planchado y limpieza en seco. El uso de símbolos garantiza la consistencia entre los fabricantes textiles de artículos nacionales e importados. Siga las indicaciones de la etiqueta para optimizar la vida útil de la prenda y reducir los problemas del lavado.

Ciclo de lavado

	Normal
	Plancha permanente/Antiarrugas/ Control de arrugas
	Prendas suaves/delicadas
	Lavado a mano




Temperatura del agua

...	Caliente
..	Tibia
.	Fría



NOTA

La tabla de la temperatura del agua presenta las temperaturas del agua del lavado apropiadas para diversas prendas. El rango de temperatura es de 106-126 °F (41-52 °C) para Caliente, 84-106 °F (29-41 °C) para Tibia y 61-84 °F (16-29 °C) para Fría. (La temperatura del agua del lavado debe alcanzar un mínimo de 61 °F (16 °C) para que se active el detergente y se logre un lavado eficaz.)




Blanqueador

	Cualquier blanqueador (cuando sea necesario)
	Solo blanqueador sin cloro (protección del color) (si es necesario)
	Secar en secadora

Normal

	Plancha permanente/Antiarrugas/ Control de arrugas
	Prendas suaves/delicadas




Instrucciones especiales

	Secar colgado/tender
	Colgar para que escurra
	Secar en posición horizontal







Secado con calor

	Alta
	Media
	Baja
	Cualquier calor
	Sin calor/aire






Temperaturas de secado con plancha o vapor

	Alta
	Media
	Baja

Símbolos de advertencia para el lavado

	No lavar
	No retorcer
	No usar blanqueador
	No secar en secadora
	Sin vapor (agregado a la plancha)
	No planchar

Limpiar en seco

	Limpiar en seco
	No limpiar en seco
	Secar colgado/tender
	Colgar para que escurra
	Secar en posición horizontal

Protección del medio ambiente

Este electrodoméstico se fabrica con materiales reciclables. Si decide desechar este electrodoméstico, siga la normativa local relacionada con la eliminación de desechos. Corte el cable de alimentación para que el electrodoméstico no pueda conectarse a una fuente de alimentación. Retire la puerta para que los animales y los niños pequeños no puedan quedar atrapados dentro del electrodoméstico.

Especificaciones

Hoja de especificaciones

Tipo		Secadora de carga frontal
Capacidad (pies cúb.)		7.5
Presión de agua (psi (kPa))		20-116 (137-800)
Peso	lb (kg)	123.5 (56.0)
Potencia del calentador	Eléctrico (W)	5300
	A gas (BTU/h)	20000
Consumo de potencia (W)		5400

Garantía limitada (Estados Unidos)

SECADORA SAMSUNG

GARANTÍA LIMITADA AL COMPRADOR CONSUMIDOR ORIGINAL CON PRUEBA DE COMPRA

El presente producto de la marca SAMSUNG, tal como lo provee y distribuye SAMSUNG ELECTRONICS AMERICA, INC. (SAMSUNG) y lo entrega como nuevo, en su caja de cartón original al comprador consumidor original, está garantizado por SAMSUNG contra defectos de fabricación de los materiales o la mano de obra durante el período limitado de la garantía, a partir de la fecha original de compra, de:

Un (1) año para todas las piezas y la mano de obra

La presente garantía limitada es válida únicamente para productos comprados y usados en Estados Unidos que fueron instalados, operados y mantenidos de acuerdo con las instrucciones adjuntas o provistas con el producto. Para recibir el servicio técnico en garantía, el comprador debe comunicarse con SAMSUNG en la dirección o el teléfono que figuran más abajo con el fin de que se determine el problema y los procedimientos del servicio. El servicio técnico de la garantía solo puede ser prestado por un centro de servicio técnico autorizado de SAMSUNG. Para recibir el servicio técnico en garantía debe presentarse la factura original de compra fechada cuando así lo solicite SAMSUNG o el Centro de Servicio autorizado Samsung como prueba de compra.

Samsung brindará servicio técnico a domicilio dentro del territorio contiguo de Estados Unidos durante el período de garantía sin cargo, sujeto a la disponibilidad de los centros de servicio autorizados por SAMSUNG dentro de la zona geográfica del cliente. Si el servicio técnico a domicilio no está disponible, SAMSUNG puede, a su elección, optar por transportar el producto hasta y desde un centro de servicio técnico autorizado. Si el producto está ubicado en una zona en la que no se encuentra disponible ningún centro de servicio autorizado por SAMSUNG, usted podrá ser responsable del cargo por transporte o se le podrá requerir que transporte el producto a un centro de servicio autorizado por SAMSUNG para recibir asistencia técnica.

Para recibir el servicio técnico a domicilio, el producto no debe presentar obstrucciones y debe ser accesible para el agente del servicio técnico.

Durante el periodo de garantía aplicable, el producto se reparará o se reemplazará, o se devolverá el importe de compra, a la entera discreción de SAMSUNG. SAMSUNG podrá usar piezas nuevas o reacondicionadas para la reparación del producto, o reemplazar el producto por un producto nuevo o reacondicionado. La vigencia de la garantía de las piezas y los productos reemplazados será por el período restante de la garantía original del producto o por un período de noventa (90) días, el que sea el más largo. Todas las piezas y los productos reemplazados son propiedad de SAMSUNG y deben ser devueltos a SAMSUNG.

Garantía limitada (Estados Unidos)

La presente garantía limitada cubre defectos de fabricación de los materiales o la mano de obra que ocurran durante el uso normal y doméstico de este producto y no cubrirá lo siguiente: daños que ocurran durante el envío, entrega e instalación y usos para los cuales el presente producto no fue destinado; daños causados por modificación o alteración no autorizada del producto; producto cuyos números de serie originales de fábrica fueron eliminados, desfigurados, alterados en algún modo o que no se puedan determinar fácilmente; daños cosméticos incluyendo rayones, hendiduras, abolladuras y otros daños al acabado del producto; daño causado por abuso o mal uso, plagas, accidente, incendio, inundación u otros casos fortuitos o de fuerza mayor; daño causado por el uso de equipo, utilidades, servicios, piezas, suministros, accesorios, aplicaciones, instalaciones, reparaciones, cableado externo o conectores no provistos ni autorizados por SAMSUNG; daño causado por línea eléctrica o voltaje incorrecto, fluctuaciones y sobretensión; daño causado por no operar y mantener el producto de acuerdo con las instrucciones; instrucción a domicilio acerca de cómo usar el producto; y servicio técnico para corregir una instalación que no cumpla con los códigos eléctricos o de plomería o corrección de cableado eléctrico o tuberías (es decir, cableado doméstico, fusibles o mangueras de entrada de agua). El costo de reparación o reemplazo bajo estas circunstancias excluidas será responsabilidad del cliente.

Las visitas de un proveedor de servicio técnico autorizado para explicar funciones, mantenimiento o instalación del producto no se cubren bajo esta garantía limitada. Comuníquese con Samsung al número que figura abajo para obtener ayuda con cualquiera de estos problemas.

EXCLUSIÓN DE GARANTÍAS IMPLÍCITAS

LAS GARANTÍAS IMPLÍCITAS, INCLUYENDO GARANTÍAS IMPLÍCITAS DE COMERCIABILIDAD O APTITUD PARA UN PROPÓSITO EN PARTICULAR, ESTÁN LIMITADAS A UN AÑO O AL PERIODO MÁS CORTO PERMITIDO POR LA LEY. Algunos estados no permiten limitaciones en cuanto al periodo de vigencia de una garantía implícita, de tal forma que las limitaciones o exclusiones mencionadas tal vez no se apliquen a usted en particular. Esta garantía le otorga derechos específicos, e incluso usted también puede tener otros derechos que varían de un estado a otro.

LIMITACIÓN DE RECURSOS

EL ÚNICO Y EXCLUSIVO RECURSO ES LA REPARACIÓN DEL PRODUCTO, EL REEMPLAZO DEL PRODUCTO O LA DEVOLUCIÓN DEL IMPORTE DE COMPRA, A DISCRECIÓN DE SAMSUNG, CONFORME A ESTA GARANTÍA LIMITADA. SAMSUNG NO SERÁ RESPONSABLE POR DAÑOS ESPECIALES, IMPREVISTOS O DERIVADOS, INCLUYENDO ENTRE OTROS, TIEMPO FUERA DEL TRABAJO, HOTELES Y/O COMIDAS EN RESTAURANTES, GASTOS DE REMODELACIÓN, PÉRDIDAS DE INGRESOS O GANANCIAS, INCAPACIDAD DE GENERAR AHORROS U OTROS BENEFICIOS INDEPENDIEMENTE DE LA TEORÍA LEGAL EN LA QUE SE BASE EL RECLAMO, E INCLUSO SI SAMSUNG HA SIDO ADVERTIDA DE LA POSIBILIDAD DE DICHOS DAÑOS. Algunos estados no permiten la exclusión o la limitación de daños imprevistos o derivados, por lo que las limitaciones o exclusiones mencionadas tal vez no se apliquen a usted en particular. Esta garantía le otorga derechos específicos, e incluso usted también puede tener otros derechos que varían de un estado a otro.

SAMSUNG no garantiza el funcionamiento ininterrumpido o sin errores del producto. Ningún aval o garantía otorgados por otra persona, compañía o corporación con respecto al presente producto revestirá carácter vinculante para SAMSUNG.

Para obtener el servicio de garantía, comuníquese con SAMSUNG en:

Samsung Electronics America, Inc.

85 Challenger Road

Ridgefield Park, NJ 07660

1-800-SAMSUNG (726-7864)

www.samsung.com/us/support

Garantía (CANADÁ)

SECADORA SAMSUNG

GARANTÍA LIMITADA PARA EL COMPRADOR ORIGINAL

El presente producto de la marca SAMSUNG, tal como lo provee y distribuye SAMSUNG ELECTRONICS CANADA, INC. (SAMSUNG) y lo entrega como nuevo, en su caja de cartón original al comprador o consumidor original, está garantizado por SAMSUNG contra defectos de fabricación de los materiales y la mano de obra durante el período limitado de la garantía de:

- un (1) año para las piezas y la mano de obra

La presente garantía limitada comienza en la fecha original de compra y es válida únicamente para productos comprados y usados en Canadá.

Para recibir el servicio técnico de la garantía, el comprador debe comunicarse con SAMSUNG con el fin de que se determine el problema y los procedimientos del servicio.

El servicio técnico de la garantía solo puede ser prestado por un centro de servicio técnico autorizado de SAMSUNG.

Se debe presentar la factura de compra original como prueba de compra a SAMSUNG o al servicio técnico autorizado de SAMSUNG.

SAMSUNG prestará servicio técnico a domicilio durante el período de la garantía sin costo, sujeto a la disponibilidad dentro de Canadá.

El servicio técnico a domicilio no está disponible en todas las áreas.

Para recibir el servicio técnico a domicilio, el producto no debe presentar obstrucciones y debe ser accesible para el agente del servicio técnico.

Si el servicio técnico no está disponible, SAMSUNG puede optar por transportar el producto hasta y desde el servicio técnico autorizado.

SAMSUNG reparará, reemplazará el producto u ofrecerá un reembolso a su criterio y sin cargo adicional, tal como se establece en la presente garantía, con piezas o productos nuevos o reacondicionados si se verifica que es defectuoso durante el período limitado de la garantía especificado anteriormente.

Todas las piezas y los productos reemplazados pasan a ser propiedad de SAMSUNG y deben ser devueltos a SAMSUNG.

Las piezas y los productos reemplazados asumen la garantía original que resta, o noventa (90) días, el período que sea el más prolongado.

La presente garantía limitada cubre defectos de fabricación de los materiales y la mano de obra encontrados durante el uso normal y doméstico de este producto y no será válida para lo siguiente: daños que ocurran durante el envío; entrega e instalación; aplicaciones y usos para los cuales el presente producto no fue destinado; números de serie o de producto alterados; daño cosmético o acabado exterior; accidentes, abuso, descuido, incendio, inundación, caída de rayos, u otros casos fortuitos o de fuerza mayor; uso de productos, equipos, sistemas, utilidades, servicios, piezas, suministros, accesorios, aplicaciones, instalaciones, reparaciones, cableado externo o conectores no provistos ni autorizados por SAMSUNG que dañen este producto o que acarreen problemas en el servicio; voltaje de la línea eléctrica incorrecto, fluctuaciones y sobretensión; ajustes del cliente e incumplimiento de lo establecido en el manual de instrucciones, instrucciones de mantenimiento y ambientales que están cubiertas y recomendadas en el manual de instrucciones; traslado y reinstalación del producto; problemas causados por plagas.

La presente garantía limitada no cubre problemas derivados de la corriente, el voltaje o el suministro eléctrico incorrectos, las bombillas de luz, los fusibles de la casa, el cableado de la casa, el costo del servicio técnico para recibir instrucciones o corregir errores en la instalación.

SAMSUNG no garantiza el funcionamiento ininterrumpido o sin errores del producto.

SALVO LO ESTABLECIDO EN LA PRESENTE GARANTÍA, NO EXISTEN GARANTÍAS SOBRE EL PRESENTE PRODUCTO, YA SEAN EXPRESAS O TÁCITAS, Y SAMSUNG DESCONOCE TODAS LAS GARANTÍAS QUE INCLUYEN, AUNQUE NO EN CARÁCTER TAXATIVO, CUALQUIER GARANTÍA TÁCITA DE QUE EL PRODUCTO SE ENCUENTRA EN CONDICIONES APTAS PARA LA VENTA, DE DEFRAUDACIÓN DE DERECHOS O DE QUE EL PRODUCTO SE ADECUA A LOS FINES ESPECÍFICOS PARA LOS CUALES SE ADQUIERE.

NINGÚN AVAL O GARANTÍA OTORGADOS POR PERSONA, COMPAÑÍA O CORPORACIÓN ALGUNA CON RESPECTO AL PRESENTE PRODUCTO REVESTIRÁ CARÁCTER VINCULANTE PARA SAMSUNG.

SAMSUNG NO SERÁ RESPONSABLE POR PÉRDIDAS DE INGRESOS O LUCRO CESANTE, IMPOSIBILIDAD DE GENERAR AHORROS U OBTENER OTROS BENEFICIOS, O CUALQUIER DAÑO DERIVADO DE CIRCUNSTANCIAS ESPECIALES, DAÑO IMPREVISTO O DERIVADO CAUSADO POR EL USO, USO INCORRECTO, O INCAPACIDAD PARA USAR EL PRESENTE PRODUCTO, INDEPENDIEMENTE DE LA TEORÍA LEGAL EN QUE SE FUNDE EL RECLAMO Y AUN CUANDO SE LE HAYA NOTIFICADO A SAMSUNG DE LA POSIBILIDAD DE TALES DAÑOS. NINGÚN RESARCIMIENTO DE NINGUNA ÍNDOLE CONTRA SAMSUNG SUPERARÁ EL MONTO DE COMPRA DEL PRODUCTO VENDIDO POR SAMSUNG Y CAUSANTE DEL PRESUNTO DAÑO.

SIN LIMITAR LO PRECEDENTE, EL COMPRADOR ASUME TODO EL RIESGO Y LA RESPONSABILIDAD POR PÉRDIDA, DAÑO O LESIÓN AL COMPRADOR Y A LOS BIENES DEL COMPRADOR Y A TERCEROS Y A SUS BIENES DERIVADOS DEL USO, USO INCORRECTO O INCAPACIDAD PARA USAR EL PRESENTE PRODUCTO. LA PRESENTE GARANTÍA LIMITADA NO SE EXTENDERÁ A NINGUNA PERSONA DISTINTA DEL COMPRADOR ORIGINAL DEL PRESENTE PRODUCTO, ES INTRANSFERIBLE Y ESTABLECE SU EXCLUSIVA REPARACIÓN.

Algunas provincias no permiten limitaciones en cuanto al plazo de una garantía implícita, o la exclusión o limitación de daños imprevistos o derivados, por lo que las limitaciones o exclusiones antedichas pueden no aplicarse en su caso.

Garantía (CANADÁ)

Esta garantía le otorga derechos específicos, y además puede tener otros derechos que varían según la provincia en la que se encuentre.

Para recibir servicio técnico de garantía, comuníquese con SAMSUNG a:

Samsung Electronics Canada Inc.

2050 Derry Road West,

Mississauga, Ontario L5N 0B9 Canada

1-800-SAMSUNG (726-7864)

www.samsung.com/ca/support (English)

www.samsung.com/ca_fr/support (French)

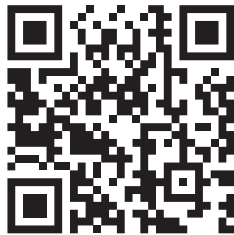
Las visitas del personal de servicio técnico para explicar funciones, mantenimiento o instalación no están cubiertas por la garantía.

Póngase en contacto con el centro de llamadas Samsung al número anterior para que le asesoren.

Notas

Notas

Notas



Scan the QR code* or visit
www.samsung.com/spsn
to view our helpful
How-to Videos and Live Shows

*Requires reader to be installed on your smartphone

Scan this with your smartphone

¿TIENE PREGUNTAS O COMENTARIOS?

PAÍS	LLAME AL	O VISÍTENOS EN LÍNEA EN
U.S.A	1-800-SAMSUNG (726-7864)	www.samsung.com/us/support
CANADA	1-800-SAMSUNG(726-7864)	www.samsung.com/ca/support (English) www.samsung.com/ca_fr/support (French)

Energy Star corresponde únicamente al modelo DVE(G)45R6300*.



DC68-03381T-06