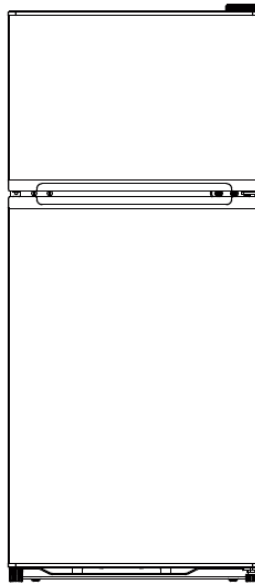




## FROST-FREE TOP MOUNT FREEZER REFRIGERATOR

User Manual



### Models:

FF712W	LRF712W
FF713B	LRF713B
FF714SS	LRF714SS

**BEFORE USE, PLEASE READ AND FOLLOW ALL SAFETY RULES AND OPERATING INSTRUCTIONS.**

<b>Models:</b>	<b>Serial Number:</b>
----------------	-----------------------

### Felix Storch, Inc.

An ISO 9001:2015 registered company  
770 Garrison Avenue  
Bronx, NY 10474  
[www.summitappliance.com](http://www.summitappliance.com)

# Table of Contents

Important Safety Instructions	1
Technical Information & Circuit Diagram	3
Names of Parts	4
Installation	5
Operation and Maintenance	6
Cleaning the Appliance	7
Troubleshooting	8
Disposal	8
Limited Warranty	10

# Important Safety Instructions



To reduce the risk of fire, electrical shock, or injury follow these basic precautions when using your refrigerator.

1. **WARNING** - Keep ventilation openings in the appliance enclosure or in the built-in structure clear of obstruction.
2. **WARNING** - Do not touch the interior of the chiller compartment with wet hands. This could result in frost bite.
3. **WARNING** - Do not use mechanical devices or other means to accelerate the defrosting process, other than those recommended by the manufacturer.
4. **WARNING** - Do not damage the refrigerant circuit when handling, moving, or using the refrigerator.
5. **WARNING** - Do not use electrical appliances inside the food storage compartment of the refrigerator, unless they are of the type recommended by the manufacturer.
6. **WARNING – DANGER** Never allow children to play with, operate, or crawl inside the refrigerator.  

Risk of child entrapment. Before you throw away your old refrigerator:

  - a. Take off the doors
  - b. Leave the shelves in place so that children may not easily climb inside
7. Unplug the refrigerator before carrying out user maintenance on it.
8. This appliance is not intended for use by persons (including children) with reduced physical, sensory or mental capabilities, or lack of experience and knowledge, unless they have been given supervision or instruction concerning use of the appliance by a person responsible for their safety. Children should be supervised to ensure that they do not play with the appliance.
9. If a component part is damaged, it must be replaced by the manufacturer, its service agent, or similar qualified persons in order to avoid a hazard.
10. Please dispose of the refrigerator according to local regulations as the refrigerator contains flammable gas and refrigerant.
11. Follow local regulations regarding disposal of the refrigerator due to flammable refrigerant and gas. All refrigeration products contain refrigerants, which under the guidelines of federal law must be removed before disposal. It is the consumer's responsibility to comply with federal and local regulations when disposing of this product.
12. This appliance is intended to be used in households and similar applications such as:
  - Staff kitchen areas in shops, offices, and other working environments
  - Farmhouses and by clients in hotels, motels, and other residential type environments
  - Bed and breakfast type environments
  - Catering and similar non-retail applications.
13. Do not store or use gasoline or any flammable liquids inside or in the vicinity of this refrigerator.
14. Do not use extension cords or ungrounded (two prong) adapters with this refrigerator. If the power cord is too short, have a qualified electrician install an outlet near the refrigerator. Use of an extension cord can negatively affect the refrigerator's performance.
15. If the supply cord is damaged, it must be replaced by the manufacturer, its service agent or similarly qualified person in order to avoid a hazard.
16. Do not store explosive substances, such as aerosol cans with a flammable propellant, in this appliance.
17. Lamp replacement by professionals.

## REFRIGERANT

The refrigerant circuit of the appliance contains isobutene (R600a), a natural gas with a high level of environmental compatibility, which is nevertheless flammable. During transportation and installation of the appliance, ensure that none of the components of the refrigerant circuit become damaged.

**WARNING:** Risk of fire/flammable materials.

If the refrigerant circuits become damaged:

- Avoid open flames and sources of ignition.
- Ventilate the room in which the appliance is located.

## BEFORE USE

- Before connecting the appliance to the power supply, let it stand for about 2 hours, which will reduce the possibility of malfunctions in the cooling system due to transport handling.
- Clean the appliance, and be thorough, especially in the interior (See Cleaning the Appliance).
- In case the interior accessories are not correctly placed, rearrange them as described (See Name of Parts).

## INSTRUCTIONS FOR USE

These instructions are intended for the user. They contain the correct and safe use of the appliance. They were prepared for various models, therefore the description of some functions and accessories may vary by model.

## ENERGY SAVING TIPS

- Try not to open the door frequently, especially when the weather is humid and hot. Once you open the door, ensure it is closed as soon as possible.
- Check the appliance is sufficiently ventilated (adequate air circulation around the appliance).
- Set the thermostat from higher to lower settings as soon as possible (depending on how loaded the appliance is ambient temperature etc.).

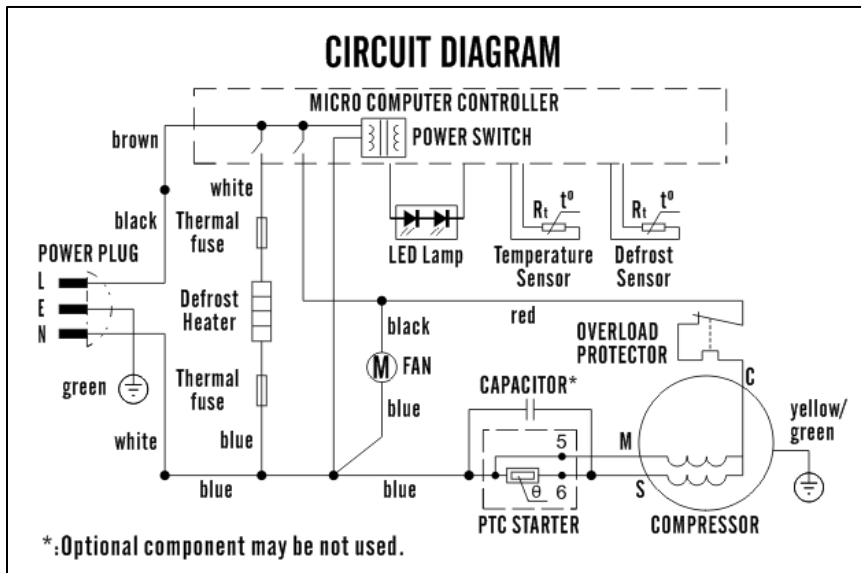
- Before loading the appliance with packages of fresh foods, ensure they are cooled to ambient temperature.
- Ice and frost layer increase energy consumption, defrost the appliance when the layer is 1/8" thick.

## IMPORTANT

- **DANGER:** Risk of child entrapment. Before discarding your old refrigerator:
  - Remove the doors.
  - Leave the shelves in place so that children may not easily climb inside.
- The appliance must be correctly connected to the power supply. (See: HOW TO INSTALL).
- Do not use an extension cord or ungrounded (two prong) adapters.
- Do not touch the cooled surfaces while the appliance operates, especially not with wet hands, to prevent it from sticking to the cold surface.
- Do not freeze bottles containing liquid, especially soft drinks, such as mineral water, sparkling wine, beer, or sodas. Liquid expands during freezing and the glass bottles are likely to break.
- Do not eat frozen foods (bread, fruit, vegetables), which can cause frostbite.
- If the food has a strange odor or color, throw it away, it is very likely that it is spoiled and therefore dangerous to eat.
- Disconnect the appliance from the power supply before repairing it (only a qualified technician should repair it), before cleaning.
- Do not defrost the appliance with other electric devices (hair dryer etc.) or scrape ice or frost layers with sharp tools.
- Locate the rating plate is inside the appliance or outside on the rear wall.

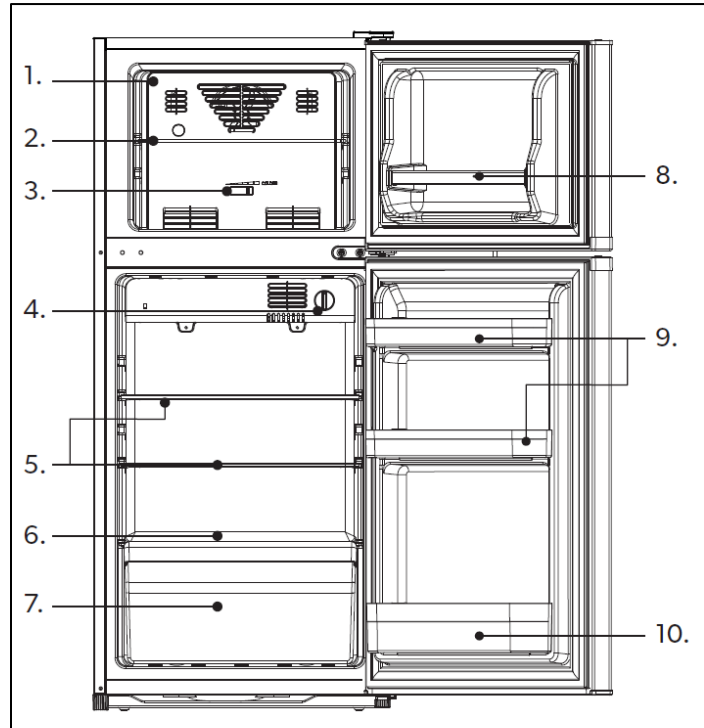
# Technical Information & Circuit Diagram

Technical Information	
High Side	300 PSI
Low Side	120 PSI
Refrigerant	R600a
Amount	1.02oz
Rated Voltage	115V
Rated Frequency	60Hz
Rated Current	1.5A
LED Lamp Power	2W
Defrost Power	120W
Net Weight	71lbs
Blowing Gas	Cyclopentane



# Names of Parts

1. Freezer Baffle
2. Freezer Shelf
3. Freezer Thermostat
4. Refrigerator Thermostat
5. Refrigerator Shelf
6. Crisper Cover
7. Crisper Drawer
8. Freezer Door Shelf Rail
9. Refrigerator Door Bin (Upper)
10. Refrigerator Door Bin (Lower)



# Installation

## POSITIONING

Position the appliance away from heat sources such as stoves, radiators, direct sunlight etc.

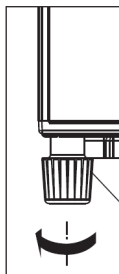
Before connecting the power supply, remove the foam base and screw down the front foot of appliance ensuring it is properly leveled.

Appliances must not be exposed to rain. Sufficient air must be allowed to circulate in the lower rear section of appliances, as poor air circulation can affect performance. Built-in appliances should be positioned away from heat sources such as heaters and radiators and out of direct sunlight. There should be a clearance of at least **3 inches** behind and **4 inches** between both sides of the appliance. Kitchen units (e.g. cupboards) should be at least **2 inches** away from the appliance to ensure adequate ventilation.

## ADJUST THE FOOT

Before connecting the power supply, make sure the refrigerator is stable.

To adjust the feet, rotate them. Adjust until the refrigerator stands evenly and does not wobble.



## ELECTRICAL CONNECTION

- Before connecting the appliance to the power supply, ensure that the voltage and frequency as indicated on the data plate correspond to those of the electrical mains.
- A deviation of -6% to +6% is admissible with respect to the rated voltage. For operation with other voltage supplies, an adequately powered autotransformer is required.
- Always connect the appliance to an efficient grounding system.
- Place the appliance in an upright position for at least 2 hours before switching it on.

## REVERSING THE DOOR

The door may be reversed to allow for more convenient installation. This procedure requires tipping the appliance.

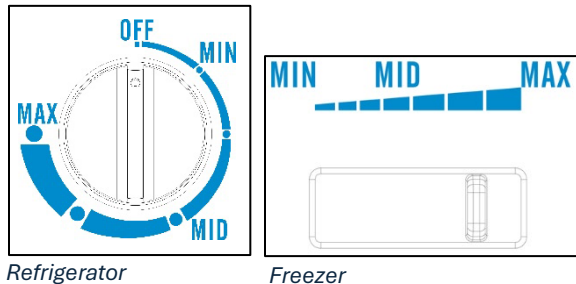
### IMPORTANT:

We recommend that two people perform the reversal. Support the appliance securely and take care when fitting and tightening screws.

1. Remove the hinge cover and the top hinge.
2. Lift the freezer door upward to disengage it from the middle hinge. Place the door carefully on a padded surface.
3. Using a screwdriver, remove the middle hinge. Lift the refrigerator door upward to disengage it from the lower hinge. Place the door carefully on a padded surface.
4. Swap the lower hinge and adjustable leg to the opposite side of the unit.
5. Remove the hinge pins located on the top of the refrigerator door and the bottom of the freezer door. Insert the replacement hinge pin (provided) on the opposite side of each door.
6. Place the refrigerator door on the lower hinge, ensure that the hinge pin is inserted into the hole in the bottom of the unit. Reattach the middle hinge on the opposite side of the unit.
7. Place the freezer door on the middle hinge, ensure that the hinge pin is inserted into the hole in the bottom of the door. Close the door and then attach the top hinge. Ensure that the top hinge pin is inserted in the hole at the top of the freezer door. Replace the hinge covers.

# Operation and Maintenance

## TEMPERATURE CONTROL PANELS



## SETTING THE TEMPERATURE CONTROL

To control the internal temperature, adjust the control dials according to the ambient temperature or your intended use.

The first time you turn the unit on, set the temperature control for the refrigerator and the freezer:

- Refrigerator - **MAX**
- Freezer - **MID**

The range of temperature control:

- Refrigerator: **MIN** (warmest) to **MAX** (coldest)
- Freezer: **MIN** (warmest) to **MAX** (coldest)

After 24 to 48 hours, adjust the temperature control to the setting that best suits your needs. Setting both the refrigerator and freezer sections to **MID** is usually sufficient for home or office refrigerator use.

### NOTE:

If the unit is unplugged, lost power, or is turned off, allow 3 to 5 minutes before restarting it. If you attempt to restart before this time delay, the refrigerator-freezer will not start.

## STORING FOOD AND DRINK

For optimal performance of the refrigerator compartment, follow these guidelines:

1. Do not place hot liquids or food in the refrigerator.
2. Cover or wrap food prior to storage.
3. Arrange food so that air can circulate freely inside the compartment.

- **Meat (all types):** Wrap in protective material. Storage time should not exceed 2 days.
- **Cooked food & cold meals:** Cover and store them on the appropriate shelves.
- **Fruit and vegetables:** Wash and store them in the crisper drawer.
- **Bananas, potatoes, onions and garlic:** Avoid storing them in the refrigerator unless properly wrapped.

## STORING FROZEN FOOD/FREEZING FRESH FOOD

Frozen food should be stored in the freezer compartment for a maximum of one month.

- Place food in the freezer as soon as possible after purchase.
- Never exceed the storage period indicated on the food packaging.
- Only open the freezer door when necessary and keep it open for the shortest time possible.

### IMPORTANT:

If food stored in the freezer is defrosted, e.g. due to a power failure, it should be consumed within a short time, even if not completely thawed.

When restarting the appliance after being unused, switch it on without food for 2–3 hours with the thermostat set to the highest setting. Once cooled, load food into the freezer as needed and then adjust the thermostat to a normal operating setting.

### CARE FOR BEST PERFORMANCE

1. Do not exceed the storage capacity of the appliance. If the unit has been out of operation for an extended time (due to power outage or system failure), dispose of any stored food as needed.
2. Arrange food properly in the compartments to avoid cross-contamination.
3. Some fresh vegetables and fruits are sensitive to cold and are not suitable for storage in the chill compartment.

### LAMP REPLACEMENT

The LED lamp cannot be replaced by the user. It must be replaced by a service technician or similarly qualified person.

For assistance, call our Customer Service facility at **800-932-4267** (Ext. **513**) between 9:00 AM and 5:00 PM ET or visit our website [summitappliance.com/support](http://summitappliance.com/support) at any time.

To order replacement parts, visit our website: [summitapplianceparts.com](http://summitapplianceparts.com)

### DEFROSTING FOOD

For best cooking results, defrost frozen food in the refrigerator or at room temperature. Defrosting at room temperature is faster.

- Small items can be cooked directly from frozen by slightly extending the cooking time.
- For larger items, use a microwave oven to shorten defrosting time.

### DEFROSTING THE APPLIANCE

During normal operation, moisture from food and air entering the refrigerator can cause frost to form on the evaporator. Excessive frost reduces cooling efficiency and increases energy consumption.

- This appliance features an auto-defrost function, so manual defrosting is not required.
- Water from melted frost is drained into the drip tray at the lower rear of the unit and evaporates naturally.

### PROLONGED PERIODS OF DISUSE

If the appliance is not used for an extended period:

1. Set the thermostat knob to the **OFF** or **0** position and disconnect the power supply.
2. Remove all food, defrost, and clean the appliance.
3. Leave the door slightly open to prevent odors and mold.

## Cleaning the Appliance

- Disconnect the power supply before cleaning the appliance.
- Do not use coarse or aggressive cleaning agents as you may damage the surface.
- Clean the exterior with cloth.
- Remove the detachable accessories and clean them with water and liquid detergent. **Plastic parts are not dishwasher safe.**
- Wash the interior of the appliance with wet cloth, adding one or two spoonfuls of vinegar.
- After cleaning, connect the appliance to power supply and reload it.

# Troubleshooting

Defective operation of the appliance is not always due to a technical fault but is often caused by incorrect installation or use. To avoid unnecessary technical assistance and related expenses we recommend the following procedures.

Issue	Check
Internal temperature is not cool enough	- Door closes properly. - Thermostat setting is correct. - Appliance is not near heat sources. - Air circulation at rear is unobstructed. - Condenser is not blocked.
Internal temperature is too low	- Thermostat setting is correct.
Excessive noise level	- Appliance is leveled correctly.
Appliance does not operate	- Thermostat is not set to "OFF" or "0". - Power supply is connected. - Plug is inserted correctly into the mains socket. - Circuit breaker has not tripped, fuse is intact. - Power cable is not faulty.

**NOTE:**

If the power cable needs replacement, disconnect the appliance from the mains. A new cable must be requested from the Technical Service and installed by a qualified technician. Ensure it is properly connected and secured.

If you have checked the information above and you still need help with your appliance, call our Customer Service facility at **800-932-4267** (Ext. **513**) between 9:00 AM and 5:00 PM ET or visit our website **summitappliance.com/support** at any time. We will do our best to answer your questions.

To order replacement parts, visit our website: **summitapplianceparts.com**

## Disposal

The packing materials are recyclable. Please follow these recommendations:

- Dispose paper, cardboard, and cartons in the appropriate recycling containers.
- Dispose of plastics in the designated recycling containers.
- If recycling bins are not available in your area, place materials in general waste bins or take them to an appropriate collection center.





**WARNING:** This product can expose you to chemicals including Nickel (Metallic) which is known to the State of California to cause cancer.

For more information go to [www.P65Warnings.ca.gov](http://www.P65Warnings.ca.gov)

Note: Nickel is a component in all stainless steel and some other metallic compositions.



**AVERTISSEMENT :** Ce produit peut vous exposer à des produits chimiques, y compris le Nickel (Métallique) qui est connu dans l'état de Californie pour provoquer le cancer.

Pour plus d'informations, rendez-vous sur [www.P65Warnings.ca.gov](http://www.P65Warnings.ca.gov)

Remarque: Le Nickel est un composant de tout l'acier inoxydable et de certaines autres compositions métalliques.

#### **CALIFORNIA CARB/SNAP DISCLOSURE**

**This product uses eco-friendly hydrocarbon refrigerant and fully complies with California CARB regulations.**

However, we are required by California Law to provide the following disclosure statement in every product sold in California.

*"This equipment is prohibited from use in California with any refrigerants on the 'List of Prohibited Substances' for that specific end-use, in accordance with California Code of Regulations, title 17, section 95374. This disclosure statement has been reviewed and approved by Felix Storch, Inc. and Felix Storch, Inc. attests, under penalty of perjury, that these statements are true and accurate."*

This product does **not** use any refrigerants on the "List of Prohibited Substances"

#### **DIVULGATION CARB/SNAP DE CALIFORNIE**

**Ce produit utilise un réfrigérant hydrocarboné respectueux de l'environnement et est entièrement conforme à la réglementation California CARB.**

Cependant, la loi californienne nous oblige à fournir la déclaration de divulgation suivante dans chaque produit vendu en Californie.

*"Il est interdit d'utiliser cet équipement en Californie avec des réfrigérants figurant sur la 'Liste des substances interdites' pour cette utilisation finale spécifique, conformément au California Code of Regulations, titre 17, section 95374. Cette déclaration de divulgation a été examinée et approuvée par Felix Storch, Inc. et Felix Storch, Inc. atteste, sous peine de parjure, que ces déclarations sont vraies et exactes."*

Ce produit n'utilise **aucun** réfrigérant figurant sur la "Liste des Substances Interdites"

# LIMITED WARRANTY

## ONE-YEAR LIMITED WARRANTY

Warranty coverage is available within the 48 contiguous United States, along with select areas of Alaska, Hawaii, and Canada. For locations not covered, consumers can either contact a local provider or coordinate with Felix Storch, Inc. to find nearby service options, which may qualify for partial reimbursement.

The warranty for this appliance is valid for one year from the date of purchase, provided the appliance is operated and maintained according to the instructions included with the product. The warrantor will cover the cost of factory-specified parts and repair labor needed to correct defects in materials or workmanship. Service must be performed by a designated service company.

All parts, except the compressor, are warranted for one year against manufacturing defects. Plastic parts, shelves, and cabinets are produced to commercially acceptable standards but are not covered for damages incurred during handling or for breakage.

## 5-YEAR COMPRESSOR WARRANTY

1. The compressor is covered for 5 years.
2. Replacement does not include labor.

## ITEMS WARRANTOR WILL NOT PAY FOR:

1. Service calls to correct the installation of your appliance, to instruct you how to use your appliance, to replace or repair fuses or to correct wiring or plumbing.
2. Service calls to repair or replace appliance light bulbs or broken shelves. Consumable parts (such as filters) are excluded from warranty coverage.
3. Damage resulting from accident, alteration, misuse, abuse, fire, flood, acts of God, improper installation, installation not in accordance with electrical or plumbing codes, or use of products not approved by warrantor.
4. Replacement parts or repair labor costs for units operated outside the 48 contiguous United States, along with select areas of Alaska, Hawaii, and Canada.
5. Repairs to parts or systems resulting from unauthorized modifications made to the appliance.
6. Expenses for travel and transportation for product service in remote locations.
7. The removal and reinstallation of your appliance if it is installed in an inaccessible location or is not installed in accordance with published installation instructions.

## DISCLAIMER OF IMPLIED WARRANTIES; LIMITATION OF REMEDIES

CUSTOMER'S SOLE AND EXCLUSIVE REMEDY UNDER THIS LIMITED WARRANTY SHALL BE PRODUCT REPAIR AS PROVIDED HEREIN. IMPLIED WARRANTIES, INCLUDING WARRANTIES OF MERCHANTABILITY OR FITNESS FOR A PARTICULAR PURPOSE, ARE LIMITED TO ONE YEAR. WARRANTOR SHALL NOT BE LIABLE FOR INCIDENTAL OR CONSEQUENTIAL DAMAGES. SOME STATES DO NOT ALLOW THE EXCLUSION OR LIMITATION OF INCIDENTAL OR CONSEQUENTIAL DAMAGES, OR LIMITATIONS ON THE DURATION OF IMPLIED WARRANTIES OF MERCHANTABILITY OR FITNESS, SO THESE EXCLUSIONS OR LIMITATIONS MAY NOT APPLY TO YOU. THIS WARRANTY GIVES YOU SPECIFIC LEGAL RIGHTS AND YOU MAY ALSO HAVE OTHER RIGHTS, WHICH VARY FROM STATE TO STATE.

Felix Storch, Inc.  
An ISO 9001:2015 registered company  
770 Garrison Ave  
Bronx, New York 10474  
[www.summitappliance.com](http://www.summitappliance.com)

The logo for Summit Appliance, featuring the word "SUMMIT" in a bold, black, sans-serif font. The letters are slightly shadowed to give a 3D effect.

For parts and accessory ordering,  
troubleshooting and helpful hints, visit:  
[www.summitappliance.com/support](http://www.summitappliance.com/support)