

Save This Manual
for Future Reference

SEARS

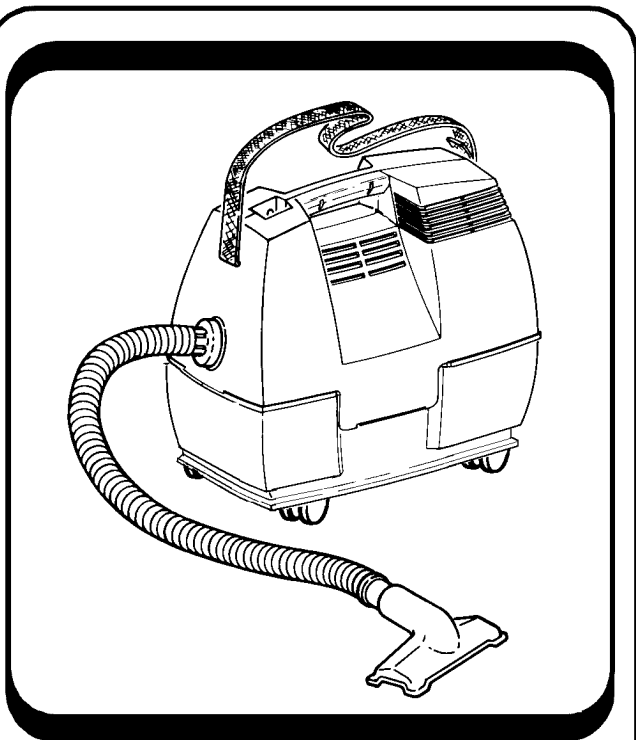
**owner's
manual**

MODEL NO.
113.177571

Serial
Number _____
Model and serial
numbers may be found
on the handle. You
should record both
model and serial
numbers in a safe
place for future use.

**FOR YOUR
SAFETY**

**READ ALL
INSTRUCTIONS
CAREFULLY**



SEARS/CRAFTSMAN
**PORTABLE
WET/DRY VAC**

- **assembly**
- **operating**
- **repair parts**

Sold by SEARS, ROEBUCK AND CO., Hoffman Estates, IL. 60179 U.S.A.

Part No. SP5704

Printed in U.S.A.

FULL ONE YEAR WARRANTY ON CRAFTSMAN WET/DRY VACS

If within one year from the date of purchase, this Craftsman Wet/Dry Vac fails due to a defect in material or workmanship, Sears will repair it, free of charge.

If this Craftsman Wet/Dry Vac is used for commercial or rental purposes, this warranty coverage applies for only 90 days from date of purchase.

WARRANTY SERVICE IS AVAILABLE BY SIMPLY CONTACTING THE NEAREST SEARS SERVICE CENTER/DEPARTMENT THROUGHOUT THE UNITED STATES.

This warranty applied only while this product is used in the United States.

This warranty gives you specific legal rights, and you may also have other rights which vary from state to state.

SEARS, ROEBUCK AND CO., D817 WA,
Hoffman Estates, IL 60179

IMPORTANT SAFETY INSTRUCTIONS

When using your Wet/Dry Vac, follow basic safety precautions including the following.

WARNING - To reduce the risk of fire, electric shock, or injury:

Read and understand this owner's manual and all labels on the Wet/Dry Vac before operating. Use only as described in this manual. To avoid personal injury or damage to Wet/Dry Vac, use only Sears Craftsman recommended accessories.

Sparks inside the motor can ignite flammable vapors or dust. To avoid fire or explosion:

- Do not vacuum, or use this Wet/Dry Vac near, flammable or combustible liquids, gases, or explosive dusts like gasoline or other fuels, lighter fluid, cleaners, oil-based paints, natural gas, hydrogen, coal dust, magnesium dust, grain dust, or gun powder.
- Do not use vac as a sprayer for any flammable or combustible liquid.

Do not vacuum anything that is burning or smoking, such as cigarettes, matches, or hot ashes.

To avoid health hazards from vapors or dusts, do not vacuum toxic materials.

Do not use or store near hazardous materials.

To avoid electric shock, do not expose to rain. Store indoors.

Do not allow to be used as a toy. Close attention is necessary when used by or near children.

Do not use this Wet/Dry Vac with a torn filter or without the filter installed.

Do not leave Wet/Dry Vac when plugged in. Unplug from outlet when not in use and before servicing. Turn off Wet/Dry Vac before unplugging.

To avoid injury from accidental starting, unplug power cord before changing or cleaning filter.

Do not unplug by pulling on cord. To unplug, grasp the plug, not the cord.

Do not use with damaged cord, plug or other parts. If your Wet/Dry Vac is not working as it should, has missing parts, has been dropped, damaged, left outdoors, or dropped into water, return it to a Sears Service Center.

Do not pull or carry by cord, use cord as handle, close a door on cord, or pull cord around sharp edges or corners. Do not run Wet/Dry Vac over cord. Keep cord away from heated surfaces.

Do not handle plug or the Wet/Dry Vac with wet hands.

Do not put any object into ventilation openings. Do not vacuum with any ventilation openings blocked; keep free of dust, lint, hair or anything that may reduce air flow.

Keep hair, loose clothing, fingers, and all parts of body away from openings and moving parts.

To avoid falls, use extra care when cleaning on stairs.

This Wet/Dry Vac is double-insulated, eliminating the need for a separate grounding system. Use only identical replacement parts. Read the instructions for Servicing Double-Insulated Wet/Dry Vacs before servicing.

Extension cords in poor condition or that are too small can pose fire and shock hazards. When using an extension cord, be sure it is in good condition. Using any extension cord will cause some loss of power. To keep the loss to a minimum, use the following table to choose the minimum wire size extension cord.

Extension Cord Length	Wire Size
-----------------------	-----------

0-50 feet	No. 14
-----------	--------

50-100 feet	No. 12
-------------	--------

Observe the following warnings that appear on the motor housing of your Wet/Dry Vac.



DOUBLE INSULATED, GROUNDING NOT REQUIRED. WHEN SERVICING USE ONLY IDENTICAL REPLACEMENT PARTS.

WARNING: To avoid electric shock- do not expose to rain-store indoors.

WARNING: For your own safety, read and understand owner's manual. Do not pick up hot ashes, coals, toxic, flammable or other hazardous materials. Do not use around explosive liquids or vapors.

Safety Signal Words

DANGER: means if the safety information is not followed someone **will** be seriously injured or killed.

WARNING: means if the safety information is not followed someone **could** be seriously injured or killed.

CAUTION: means if the safety information is not followed someone **might** be injured.

SAVE THESE INSTRUCTIONS

The operation of any utility vac can result in foreign objects being blown into the eyes, which can result in severe eye damage. Always wear safety goggles complying with ANSI Z87.1 (shown on package) before commencing operation. Safety Goggles are available at Sears retail stores.

To avoid hearing damage, wear ear protectors when using the vac for extended hours or when, using it in a noisy area.



Introduction

This Wet/Dry Vac is intended for household use only.

IMPORTANT NOTE Please Read Carefully

Static Shocks Are Common - In dry areas or when the relative humidity of the air is low. To reduce the frequency of static shocks in your home the best remedy is to add moisture to the air with a console humidifier.

Owner's Manual Contents

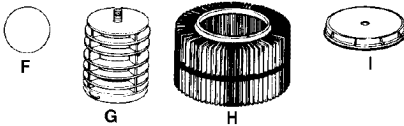
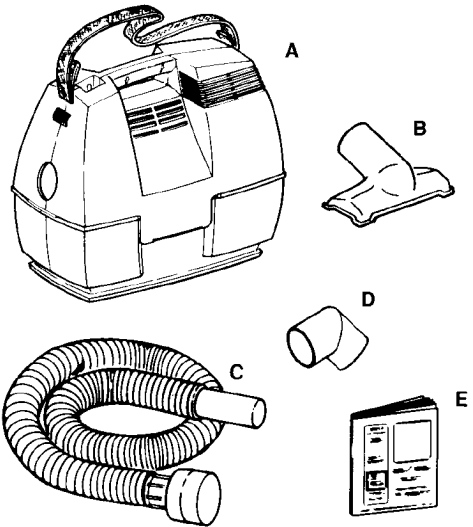
Item	Page
Warranty Information	2
Safety Instructions	2
Introduction	4
Unpacking and Checking Carton Contents	4
Assembly	4
Filter Assembly	6
Operation	8
Maintenance	10
Repair Parts	10

Unpacking and Checking Carton Contents

Remove entire contents of carton. Check each item against the Carton Contents List. Notify your Sears Store immediately if any parts are damaged or missing.

Carton Contents List

Key	Description	Qty
A	Wet/Dry Vac	1
B	Utility Nozzle	1
C	Hose	1
D	Air Deflector	1
E	Owners Manual	1
F	Float	1
G	Filter Cage	1
H	Filter (Purple Stripe)	1
I	Filter Plate	1
J	Filter Nut	1
K	Extension Wands	2
L	Caster	4



Float/Cage Assembly

WARNING: For your own safety, never connect plug to power source outlet until all assembly steps are complete and you have read and understood the safety and operation instructions. Do not operate vac with any parts damaged or missing.

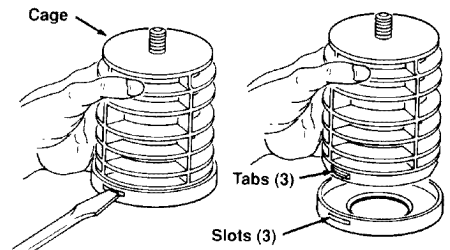
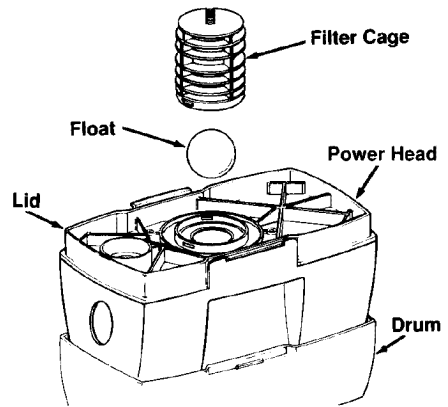
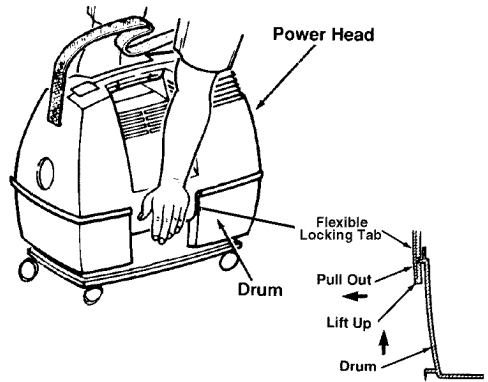
NOTE: Your Wet/Dry Vac is shipped unassembled. Read the following assembly instructions carefully.

1. Grasp tabs on both the right and left side of the power head. Slowly pull tabs away from drum and lift the power head off the drum. Flip the power head and place it in the drum.
2. Locate the float. Place the float over the opening in the center of the lid.

WARNING: To avoid personal injury or damage to vac be sure to keep hands, fingers, or any other foreign objects out of the center opening when assembling the float.

3. Line up filter cage tabs with the slots in the center ring of the lid.
4. Push on the filter cage until the tabs snap into the slots for a secure fit. (One tab at a time)

NOTE: If the filter cage needs to be removed, use a slotted screwdriver and insert the blade near one of the tabs between the filter cage and the center ring of the lid. Pry the tab out of the slot. Tilt the filter cage and lift slightly away from the lid. To replace, follow float/cage assembly instructions.



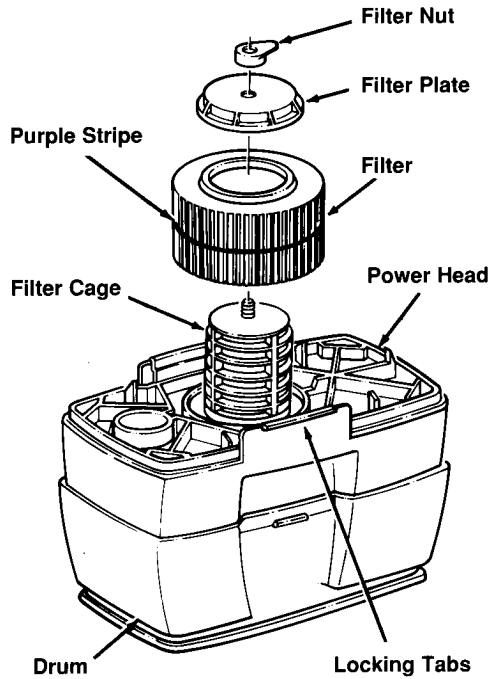
Filter Assembly

1. Carefully slide the filter onto the filter cage, sliding it over the center ring covering the 3 slots until the filter stops against the lid.
2. Place the hole in the filter plate over threaded screw of the filter cage.
3. Gently push on the filter plate to seat the rubber ring of the filter inside the circular channel of the filter plate.
4. Place filter nut onto threaded screw and tighten it. Finger tighten only.

NOTE: Lever of filter nut should be away from plate as shown.

IMPORTANT: Do not overtighten as this may deform or crack the filter plate or filter cage.

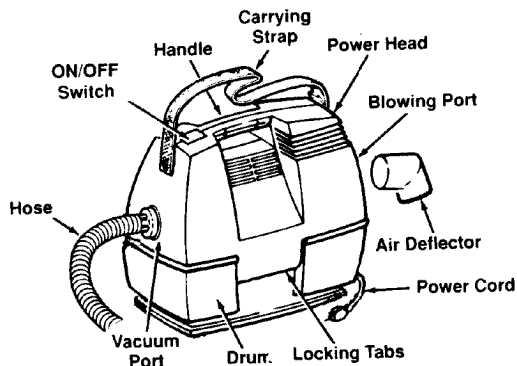
5. To assemble the power head to the drum, position power head over drum, with flexible tabs lined up with recess in drum. (The power head will only fit on the drum one way).
6. Push down on the power head and listen for the locking tabs to “snap” in place.
7. Your Wet/Dry Vac is now ready to use. Read the instructions on the following pages to operate your Portable Vac safely.



NOTE: Your filter has a purple stripe that matches an in-store displayer. When you visit your local Sears store, just remember the color of your stripe for the correct size filter.

Getting to Know Your Wet/Dry Vac

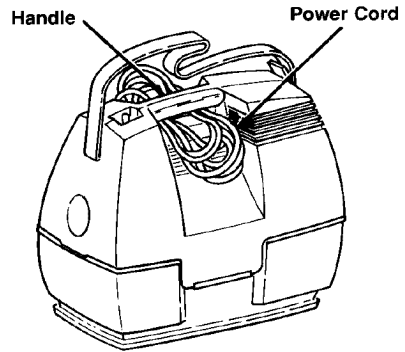
1. Familiarize yourself with the controls and features of your Wet/Dry Vac before operating.
- Flip switch forward to turn “ON”.
 - Flip switch to the rear to turn “OFF”.



Cord Storage

1. Your Wet/Dry Vac has a convenient area to store your power cord.
2. Coil the power cord neatly and store it below the handle, when not in use, in the opening above the warning label and model number label.

CAUTION: A partially unwrapped cord may fall in coils near your feet. You could trip. To avoid this, always fully unwrap the cord before plugging it in.



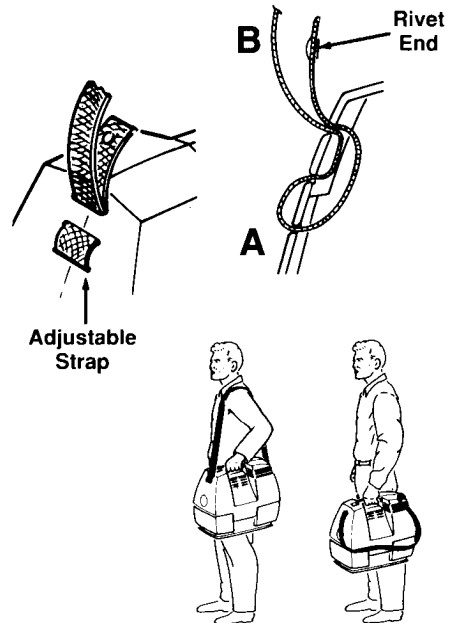
Carrying Your Vac

Your Wet/Dry Vac is supplied with an easily adjustable shoulder strap. Adjust the strap so that the Wet/Dry Vac rests comfortably on your hip.

To Lengthen The Strap: Pull on strap at "A", the length you would like to lengthen the strap. Then pull on strap at "B" until tight.

To Shorten The Strap: Pull on strap in a downward position at "A", the length you would like to shorten strap. Then pull on rivet end of strap until the strap becomes tight.

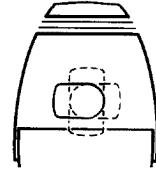
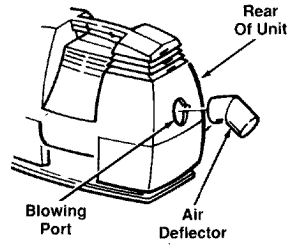
To Carry Your Wet/Dry Vac: Place strap on your shoulder as pictured. The other method of carrying is to use the handle that is built into the power head. To avoid tripping on the strap, drape it on the outside as pictured.



Install/Adjust Air Deflector

An air deflector is supplied with your Wet/Dry Vac. This allows you to direct the powerful flow of air that is exhausted from the blowing port of your Wet/Dry Vac.

1. Insert one end of the deflector in the blower port located in the rear of the unit.
2. The air deflector can be set at any position to accommodate your needs by simply rotating it to the desired position.



WARNING: To avoid eye injury, install and turn the air deflector away from operator's or bystanders' eye level.

Operation

WARNING

To avoid fire or explosion, do not operate this vac in areas with flammable gases or flammable vapors such as lighter fluid, cleaners, oil-base paints, gasoline, alcohol or explosive dust such as coal, magnesium, grain or gun powder in the air. Do not vacuum explosive dust, flammable or combustible liquids or hot ashes. Do not use this vac as a sprayer for any flammable or combustible liquid. To avoid health hazards from vapors or dusts, do not vacuum toxic materials. To avoid electrical shock do not expose to rain. Store vac indoors. Unplug power cord before changing or cleaning filter or emptying the dust drum.

CAUTION: To avoid hearing damage wear ear protectors when using the vac for extended hours or when using it in a noisy area.

The operation of any utility vac can result in foreign objects being blown into the eyes, which can result in severe eye damage. Always wear safety goggles complying with ANSI Z87.1 (shown on package) before commencing operation. Safety Goggles are available at Sears retail stores.

To reduce the risk of electric shock, this appliance has a polarized plug (one blade is wider than the other). This plug will fit in a polarized outlet only one way. If the plug does not fit fully in the outlet, reverse the plug. If it still does not fit, contact a qualified electrician to install the proper outlet. Do not change the plug in any way.

Vacuuming Dry Materials

1. The filter must be in correct position at all times to avoid leaks and possible damage to vac.
2. When using your vac to pick up very fine dust, it will be necessary for you to empty the drum and clean the filter at more frequent intervals to maintain peak performance.

NOTE: A dry filter is necessary to pick up dry material. If you use your vac to pick up dust when the filter is wet, the filter will clog quickly and be very difficult to clean.

3. If your filter is wet but you need to use the vac to pick up dry material, you can quickly dry the filter by running the vac without hose attached for about 10 minutes. The clean air rushing through the vac will dry the filter enough for dry pick up.

Vacuumping Liquids

1. When vacuumping liquids the filter should be left in place at all times.
2. Misting may appear from the blowing port, this is normal.
3. This Wet/Dry Vac is equipped with a float mechanism which will rise automatically to cut off the air flow when the liquid in the drum reaches a predetermined level. When this happens, turn off the vac, unplug the power cord, and empty the drum. You will know that the float has risen because airflow ceases and the motor noise becomes higher in pitch, due to increased motor speed. The liquid capacity may vary with rate of pickup.

IMPORTANT: To avoid damage to the vac do not run motor with float in raised position.

4. After using the vac to pick up liquids, the filter must be dried to avoid possible mildew and damage to the filter.

Emptying the Drum

WARNING: To avoid injury from accidental starting, unplug power cord before emptying the drum.

Filter Maintenance

WARNING: Do not remove the filter cage. It is there to help prevent your fingers from getting into the blower wheel.

Cleaning

Your filter should be cleaned often to maintain peak vac performance. Be sure to dry the filter before storing or picking up dry debris.

NOTE: This filter is made of high quality paper designed to stop very small particles of dust. The filter can be used for wet or dry pick up. Handle the filter carefully when removing to clean or installing it. Creases in the filter pleats may occur from installation but creases will not affect the performance of the filter.

1. You may remove the top section of the Wet/Dry Vac as described in Float/Cage assembly section and dump the contents into a proper waste disposal container.

Blowing Feature

Your vac features "Full Blowing". It has the capability to blow sawdust and other debris. Follow the steps below to use your vac as a blower.

WARNING: Always wear safety goggles complying with ANSI Z87.1 (shown on Package) before commencing operation. Safety Goggles are available at Sears stores.

WARNING: To avoid injury to bystanders, keep them clear of blowing debris.

1. Locate blowing port of your vac.
2. Insert soft end of your hose into blowing port.
3. (Optional) Attach extension wand to swivel end of hose, then place a blower nozzle on the wand.
4. Turn vac on and you are ready to use your vac as a blower.

Sears recommended accessories are available at Sears retail stores. The Sears Blower Nozzle Stock No. 9-16933 and extension handles Stock No. 9-16964 are recommended for blowing debris.

Removal

To remove the filter for cleaning or replacement, remove filter nut from the screw on the filter cage, remove filter plate and lift off filter.

IMPORTANT: To avoid damage to the blower wheel and motor, always reinstall the filter before using the vac for dry material pick-up.

IMPORTANT: After cleaning, check the filter for tears or small holes. Do not use a filter with holes or tears in it. Even a small hole can cause a lot of dust to come out of your vac. Replace it immediately.

Filter Maintenance (continued)

Dry Filter

NOTE: For best results of cleaning due to accumulated dust, clean the filter in an open area. Cleaning SHOULD be done outdoors and not in the living quarters.

1. Some removal of dry debris can be accomplished without removing the filter from the vac by slapping your hand on top of the lid while the vac is turned off.
2. After filter removal from vac, remove the dry debris by gently tapping the filter against the inside wall of your dust drum and the debris will loosen and fall.
3. For thorough cleaning of dry filter with fine

dust (no debris) you may run water through it as described under "Wet Filter".

Wet Filter

After filter is removed, a wet filter should be cleaned by running water through it from a hose or spigot. Take care that water pressure from the hose is not strong enough to damage filter.

Installation

To ensure a proper seal, clean the lid area where the filter will seat. Slide the new filter over the filter cage. Replace filter plate then run filter nut down threads, finger tight only. Do not overtighten as this will cause deformation or cracks in the filter.

Refer to page 6, "Filter Assembly".

Wet/Dry Vac Maintenance

To keep your Wet/Dry Vac looking its best, clean the outside with a cloth dampened with warm water and mild soap, to clean the drum:

1. Dump debris out.
2. Wash drum thoroughly.
3. Wipe out with dry cloth.

WARNING: To assure product SAFETY and RELIABILITY, repairs and adjustment should be performed by Sears Service Centers, always using Sears replacement parts.

NOTE: If your casters are noisy, you may put a drop of oil on the roller shaft to make them quieter.

Repair Parts

**3-GALLON PORTABLE WET/DRY VAC
Model Number 113.177571
Always order by Part Number - Not by Key Number**

Key No.	Part No.	Description
1	818982	Air Deflector
2	9-16921	†Utility Nozzle
3	9-17866	†Hose
4	9-17861	†Wands
5	817254	Float
6	818977	Filter Cage
7	9-17810	†Filter (Purple stripe)
8	818978	Filter Plate
9	73316	Filter Nut
10	818989-1	Drum
11	9-16936	†Casters (4)
12	STD611010	*Scr. Pn Hd Type "AB" 10 x 1
13	821814	Lid


Key No.	Part No.	Description
14	821818	Collector
15	73352	Nut Hx Flange 1/4-20
16	15534-1	Washer
17	818413-3	Blower Wheel
18	818961	Spacer
19	821815	Motor Includes Key #15 thru 18
20	STD611007	*Scr Pn Hd Type "AB" 10 x 3/4
21	818980-1	Handle
22	819314-1	Cover Motor
23	73180	Toggle Switch
24	820506	Gasket Motor
-	SP5704	Owner's Manual

†Stock Item - May Be Seured Through The Hardware Department Of Most Sears Retail Stores

*Standard Hardware Item - May Be Purchased Locally.

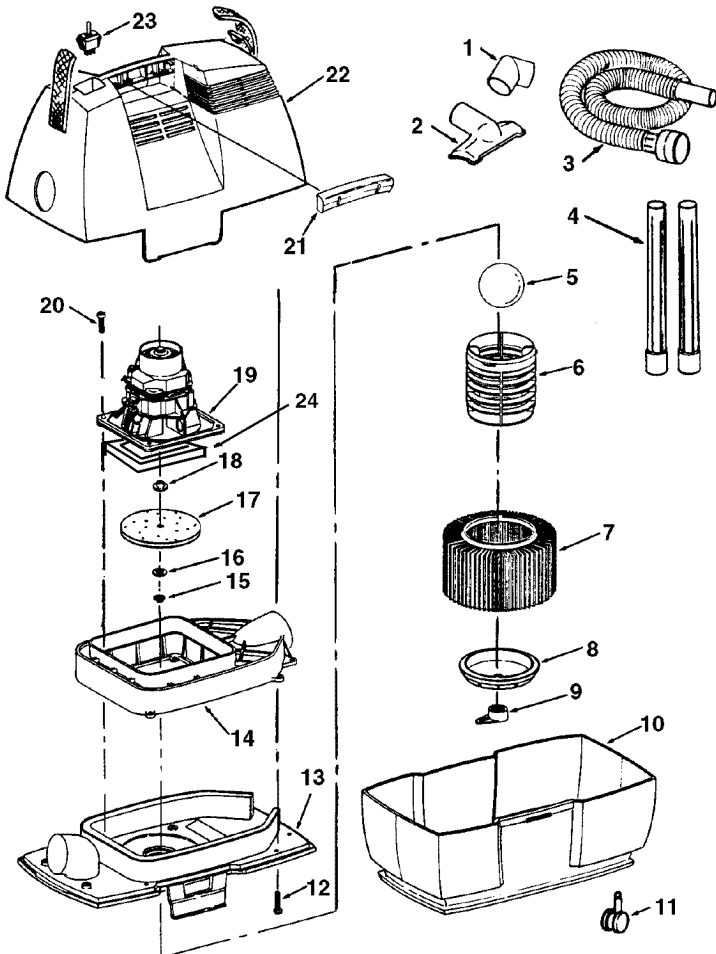
WARNING

SERVICING OF DOUBLE-INSULATED WET/DRY VAC

In a double-insulated Wet/Dry Vac, two systems of insulation are provided instead of grounding. No grounding means is provided on a double-insulated appliance, nor should a means for grounding be added. Servicing a double-insulated Wet/Dry Vac requires extreme care and knowledge of the system, and should be done only by qualified service personnel. Replacement parts for a double-insulated Wet/Dry Vac must be identical to the parts they replace. Your double-insulated Wet/Dry Vac is marked with the words "DOUBLE INSULATED" and the symbol  (square within a square) may also be marked on the appliances.

Repair Parts

3-GALLON PORTABLE WET/DRY VAC Model Number 113.177571



SEARS owner's manual

SERVICE

MODEL NOS.
113.177571

IF YOU NEED REPAIR SERVICE OR PARTS:

For Repair Service, Call
this Toll Free Number:

1-800-4-REPAIR
(1-800-473-7247)

For replacement parts
information and order-
ing, call this toll free
number:

1-800-FON-PART
(1-800-366-7278)

PORTABLE WET/DRY VAC

Service is available by returning this Vac to the nearest
Sears Service Center/Department throughout the
United States.

Model and serial numbers may be found on the handle.

When ordering repair parts, always give the following
information:

PART NUMBER	PART DESCRIPTION
MODEL NUMBER 113.177571	NAME OF ITEM Wet/Dry Vac

All parts listed may be ordered from any Sears Service
Center and most Sears stores. If the parts you need are
not stocked locally, your order will be electronically
transmitted to a Sears Repair Parts Distribution Center
for handling.

Sold by SEARS, ROEBUCK AND CO., Hoffman Estates, IL. 60179 U.S.A.