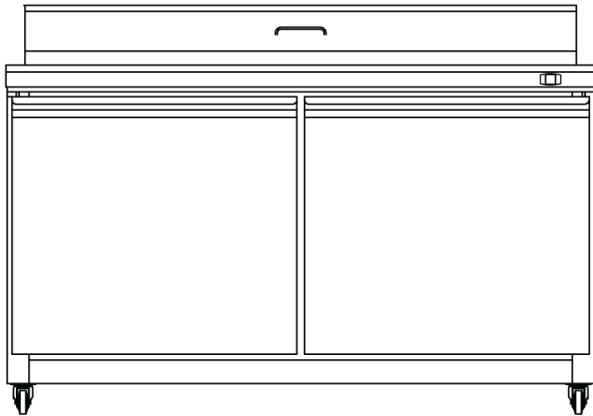
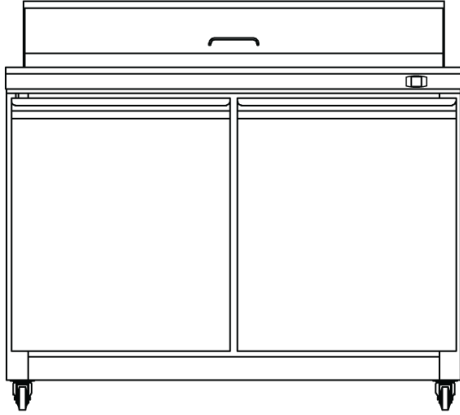
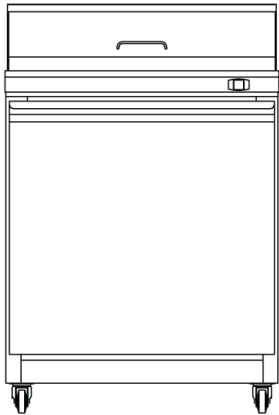


MAXX COLD V-Series

SERVICE, INSTALLATION AND OPERATION MANUAL



For **AUTHORIZED PARTS** or **TECHNICAL SERVICE**, please contact:
1-877-368-2797 Service@MaxxHelp.com

3355 Enterprise Avenue, Suite 160, Fort Lauderdale, FL 33331 USA
Phone: (954) 202-7419
Website: MaximumFoodService.com

MVR29SHC MVR29MHC w/1 DOOR
MVR48SHC MVR48MHC w/2 DOORS
MVR60SHC MVR60MHC w/2 DOORS

SELECT SERIES SANDWICH/SALAD PREPARATION TABLES
PLEASE READ CAREFULLY

TABLE of CONTENTS

| | |
|---|----|
| SERIAL NUMBER INFORMATION | 3 |
| APPLIANCE SAFETY | 4 |
| IMPORTANT SAFEGUARDS..... | 5 |
| DIMENSIONS..... | 7 |
| TECHNICAL INFORMATION..... | 8 |
| RECEIVING AND INSPECTING THE EQUIPMENT | 9 |
| INTRODUCTION..... | 9 |
| COMPONENT INFORMATION..... | 10 |
| APPLIANCE INSTALLATION | 11 |
| Remove Packaging Materials | 11 |
| Location Requirements | 11 |
| Inside cabinet:..... | 11 |
| Outside cabinet: | 11 |
| Installation Clearance | 12 |
| Stabilizing..... | 12 |
| Electrical Connection..... | 12 |
| OPERATION..... | 13 |
| Refrigerated cycle..... | 13 |
| Power Switch:..... | 13 |
| SOLID-STATE THERMOSTAT DESCRIPTIONS..... | 13 |
| 1.FRONT PANEL COMMANDS..... | 13 |
| 2.MAIN FUNCTIONS | 14 |
| 3.ALARM SIGNALLING..... | 15 |
| CLEANING AND MAINTENANCE..... | 16 |
| Exterior and Interior Cleaning of Appliances..... | 16 |
| Cleaning the Condenser Coil..... | 16 |
| Stainless Steel Care and Cleaning | 17 |
| Gasket Maintenance..... | 17 |
| Doors/Hinges | 17 |
| Drain Maintenance..... | 17 |
| TROUBLESHOOTING GUIDE | 18 |
| WIRING DIAGRAMS | 19 |



VISIT OUR WEBSITE for the MOST UP-TO-DATE VERSION of this MANUAL.

<http://www.maxximumfoodservice.com/>

Fill out and return the enclosed warranty postcard or visit our website/warranty registration.
Keep the dated proof of purchase invoice which establishes the appliance's warranty period.

SERIAL #: _____

MODEL #: _____ **DATE OF PURCHASE:** _____

SERIAL NUMBER INFORMATION

- The serial number of all self-contained refrigerators is located inside the unit on the left hand side near the top on the wall.
- Always have the serial number of your unit available when calling for parts or service.
- This manual covers standard units only. If you have a custom unit, consult customer service department at the number listed on cover page.

**READ THIS MANUAL IN ITS ENTIRETY
TO HELP FAMILIARIZE YOURSELF WITH YOUR NEW EQUIPMENT BEFORE PROCEEDING.**
We have provided many important safety messages in this manual.
Always read and obey all safety messages.
Understanding of safety messages will assist in alerting you to potential hazards, as well as tell you
how to reduce the chance of injury. Follow the instructions as outlined in this manual.

Due to periodic changes in designs, methods, procedures, policies and regulations, the contents of this manual are subject to change without notice. While we exercise good faith efforts to provide information that is accurate, we are not responsible for errors or omissions in information provided or conclusions reached as a result of using this reference manual. By using the information provided, the user assumes all risks in connection with such use.

APPLIANCE SAFETY

Always read and obey all safety messages.



This is the Safety Alert Symbol. This symbol alerts you to potential hazards that can injure or kill you and others. All safety messages will follow the Safety Alert Symbol and either the words “**DANGER**”, “**WARNING**” OR “**CAUTION**”.

DANGER

DANGER means that failure to heed this safety statement may result in Death or Severe Personnel Injury.

WARNING

WARNING means that failure to heed this safety statement may result in extensive product damage, serious personal injury, or death.

CAUTION

CAUTION means that failure to heed this safety statement may result in minor or moderate personal injury, or property or equipment damage.

All safety messages will alert you to what the potential hazard is, tell you how to reduce the chance of injury, and let you know what can happen if the instructions are not followed.



NOTE: IMPORTANT SAFETY INSTRUCTIONS

WARNING

To reduce the risk of fire, electric shock or injury, when using your appliance, follow these basic precautions:

- Plug into grounded 3-prong outlet.
- Do not remove grounding prong.
- Do not use an adapter.
- Do not use an extension cord.
- Disconnect power before cleaning.
- Disconnect power before servicing.
- Use 2 or more people to safely move and install appliance.

SAVE THESE INSTRUCTIONS

IMPORTANT SAFEGUARDS



Before the appliance is used, it must be properly positioned and installed as described in this manual, so read the manual carefully. We strongly recommend that you have a professional install your new machine. The warranty may be affected or voided by an incorrect installation. To reduce the risk of fire, electrical shock or injury when using the appliance, follow basic precautions, including the following:

DANGER

- It is recommended that a separate circuit, serving only your appliance, be provided. Use receptacles that cannot be turned off by a switch or pull chain.
- Please ensure that the required voltage is being supplied at all times.
- The unit should be plugged into a grounded and properly-sized electrical outlet with appropriate over-current protection.
- Ensure unit is not resting on, pinching or against the electrical cord.
- Do not connect or disconnect the electric plug when your hands are wet.
- Never unplug the appliance by pulling on the power cord. Always grip the plug firmly and pull straight out from the outlet.
- Never clean appliance parts with flammable fluids. Do not store or use gasoline or other flammable vapors and liquids in the vicinity of this or any other appliance. The fumes can create a fire hazard or explosion.
- Before proceeding with cleaning and maintenance operations, make sure the power line of the unit is disconnected.
- Unplug the appliance or disconnect power before cleaning or servicing. Failure to do so can result in electrical shock or death.
- If the unit is not in use for a long period of time, best to unplug the unit from the outlet.
- After unplugging the unit, wait at least 8 minutes before plugging it back in. Failure to do so could cause damage to the compressor.
- If the power cuts off, wait at least 8 minutes before turning the unit on to avoid damage to the compressor.
- Do not attempt to repair or replace any part of your appliance unless it is specifically recommended in this manual. A qualified technician should do all other servicing or repairs.

WARNING

- Use two or more people to move and install appliance. Failure to do so can result in back or other injury.
- This appliance must be properly installed and located in accordance with the Installation Instructions before it is used.
- Do not touch the cold surfaces in the cold compartment when hands are damp or wet. Skin may stick to these extremely cold surfaces.
- Setting temperature controls to the ZERO (0) position does not remove power to the light circuit, perimeter heaters, or evaporator fans.
- To ensure proper ventilation for your appliance, choose a well-ventilated area with temperatures above 50°F (10°C) and below 100°F (38°C). This unit **MUST** be installed in an area protected from the elements, such as wind, rain, water spray or drips.
- The appliance should not be located next to ovens, grills or other sources of high heat.
- It is important for the appliance to be level for proper operation. You may need to make adjustments to level it.
- Remove the packing materials and clean the appliance before using.
- Do not use this apparatus for other than its intended purpose.

IMPORTANT SAFEGUARDS (cont.)

Electrical Connection

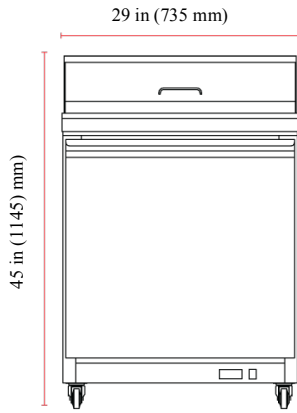
Do not, under any circumstances, cut or remove the third (ground) prong from the power cord. For personal safety, this appliance must be properly grounded. The power cord of this appliance is equipped with a 3-prong grounding plug that mates with a standard 3-prong grounding wall outlet to minimize the possibility of electric shock hazard from the appliance. Have the wall outlet and circuit checked by a qualified electrician to make sure the outlet is properly grounded. The appliance should always be plugged into its own individual electrical outlet which has a voltage rating that matches the rating label on the appliance. This provides the best performance and also prevents overloading house wiring circuits which could cause a fire hazard from overheated wires. Repair or replace immediately all power cords that have become frayed or otherwise damaged. Do not use a cord that shows cracks or abrasion damage along its length or at either end. When moving the appliance, be careful not to damage the power cord.

Refrigerant Disposal

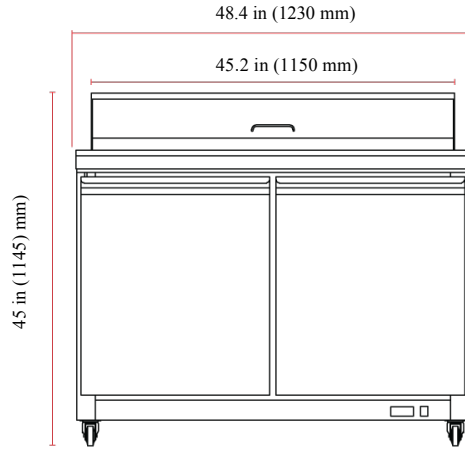
If you are throwing away your old appliance it may have a cooling system that uses "Ozone Depleting" chemicals. Make sure the refrigerant is removed for proper legal disposal by a qualified service technician.

DIMENSIONS

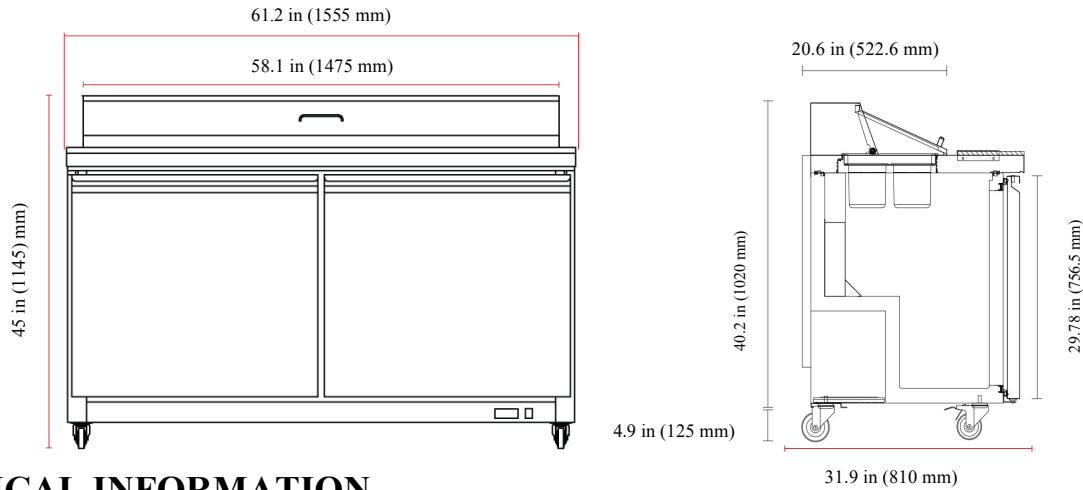
MVR29SHC



MVR48SHC



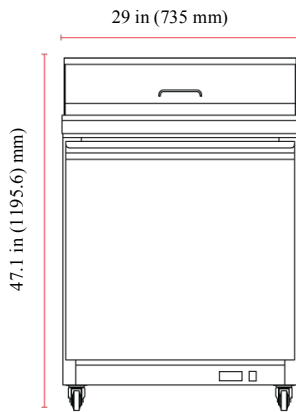
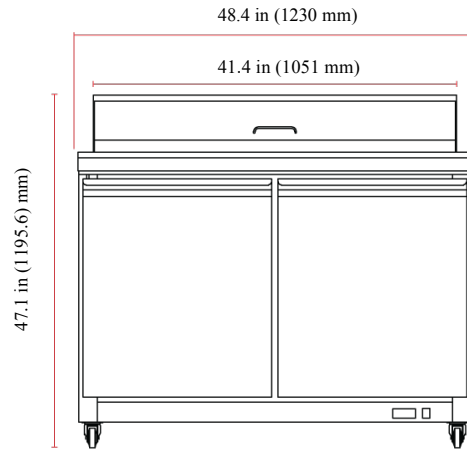
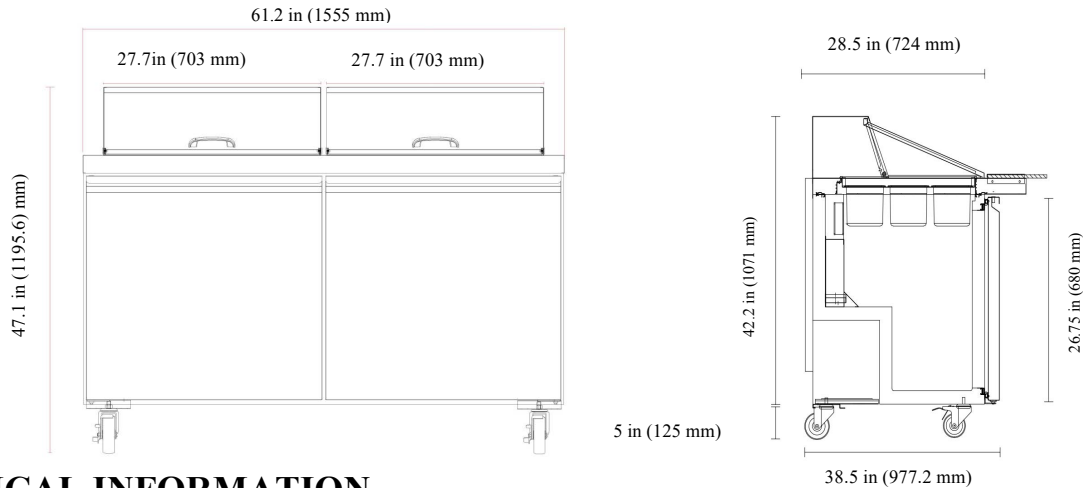
MVR60SHC



TECHNICAL INFORMATION

| Model | MVR29SHC | MVR48SHC | MVR60SHC |
|-------------------------------|--------------------|--------------------|----------------------|
| in: Exterior Dimension W*D*H | 29 x 31.9 x 45 | 48.4 x 31.9 x 45 | 61.2 x 31.9 x 45 |
| mm: Exterior Dimension W*D*H | 735 x 810 x 1145 | 1230 x 810 x 1145 | 1555 x 810 x 1145 |
| in: Depth With Door(s) Open | 57.8 | 53.2 | 59.6 |
| mm: Depth With Door(s) Open | 1467.5 | 1352.5 | 1514.5 |
| in: Interior Dimensions W*D*H | 24.8 x 22 x 28.8 | 44.3 x 22 x 28.8 | 57.1 x 22 x 28.8 |
| mm: Interior Dimensions W*D*H | 630 x 558.5 x 731 | 1125 x 558.5 x 731 | 1450.5 x 558.5 x 731 |
| Nominal Capacity | 7.74 Cu Ft / 219 L | 14.1 Cu Ft / 399 L | 18.5 Cu Ft / 524 L |
| Unit Weight | 150 lb / 68 kg | 194 lb / 88 kg | 220.5 lb / 100 kg |
| Hinged Doors | 1 | 2 | 2 |
| Shelves | 1 | 2 | 2 |
| Electrical Service | 115V/60Hz/1Ph | 115V/60Hz/1Ph | 115V/60Hz/1Ph |
| Refrigerant | R290 | R290 | R290 |
| Provided 6' NEMA Cord Set | 5-15 | 5-15 | 5-15 |



MVR29MHC**MVR48MHC****MVR60MHC****TECHNICAL INFORMATION**

| Model | MVR29SHC | MVR48SHC | MVR60SHC |
|-------------------------------|---------------------|-----------------------|-----------------------|
| in: Exterior Dimension W*D*H | 29 x 38.5 x 47.1 | 48.4 x 38.5 x 47.1 | 61.2x 38.5 x 47.1 |
| mm: Exterior Dimension W*D*H | 735 x 977.2x 1195.6 | 1230 x 977.2 x 1195.6 | 1555 x 977.2 x 1195.6 |
| in: Depth With Door(s) Open | 57.9 | 53.3 | 59.6 |
| mm: Depth With Door(s) Open | 1470 | 1353.6 | 1515.1 |
| in: Interior Dimensions W*D*H | 24.8 x 22 x 28.8 | 44.3 x 22 x 28.8 | 57.1 x 22 x 28.8 |
| mm: Interior Dimensions W*D*H | 630 x 558.5 x 731 | 1125 x 558.5 x 731 | 1450.5 x 558.5 x 731 |
| Nominal Capacity | 7.74 Cu Ft / 219 L | 14.1 Cu Ft / 399 L | 18.5 Cu Ft / 524 L |
| Unit Weight | 159 lb / 72 kg | 203 lb / 92 kg | 242.5 lb / 110 kg |
| Hinged Doors | 1 | 2 | 2 |
| Shelves | 1 | 2 | 2 |
| Electrical Service | 115V/60Hz/1Ph | 115V/60Hz/1Ph | 115V/60Hz/1Ph |
| Refrigerant | R290 | R290 | R290 |
| Provided 6' NEMA Cord Set | 5-15 | 5-15 | 5-15 |

RECEIVING AND INSPECTING THE EQUIPMENT

Even though most equipment is shipped crated, care should be taken during unloading so the equipment is not damaged while being moved into the building.

1. Visually inspect the exterior of the package and skid or container. Any damage should be noted and formally reported to the delivering carrier as soon as possible within 10 days.
2. If damaged, open and inspect the contents with the carrier.
3. In the event that the exterior is not damaged, yet upon opening, there is concealed damage to the equipment, notify the carrier. Notification should be made verbally as well as in written form.
4. Request an inspection by the shipping company of the damaged equipment. This should be done within 10 days from receipt of the equipment.
5. Be certain to check the compressor compartment housing and visually inspect the refrigeration package. Be sure lines are secure and base is still intact.
6. Freight carriers can supply the necessary damage forms upon request.
7. Retain all crating material until an inspection has been made or waived.

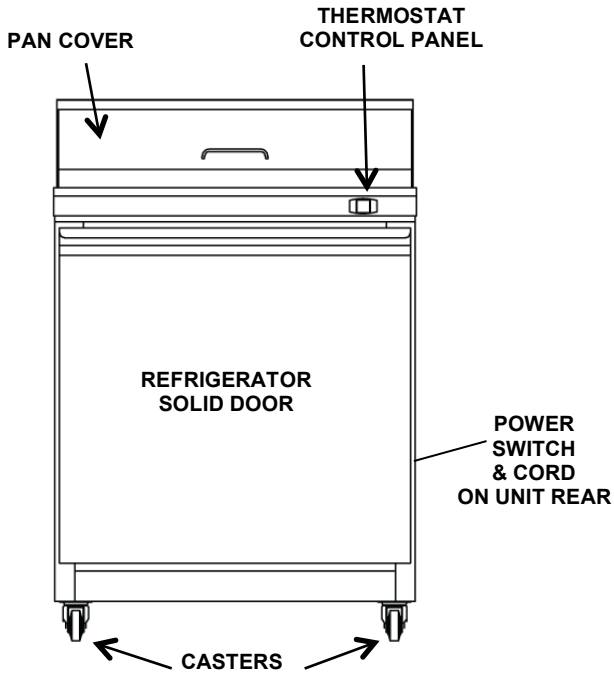
INTRODUCTION

This user's manual is intended for installing, using and servicing your Maxx Cold Select Series Appliance. It is recommended that this manual be kept in an accessible place. Every Maxx Cold machine is designed and manufactured according to the highest standards of safety and performance. It meets or exceeds the safety standard of UL 471 and sanitation standard NSF 7.

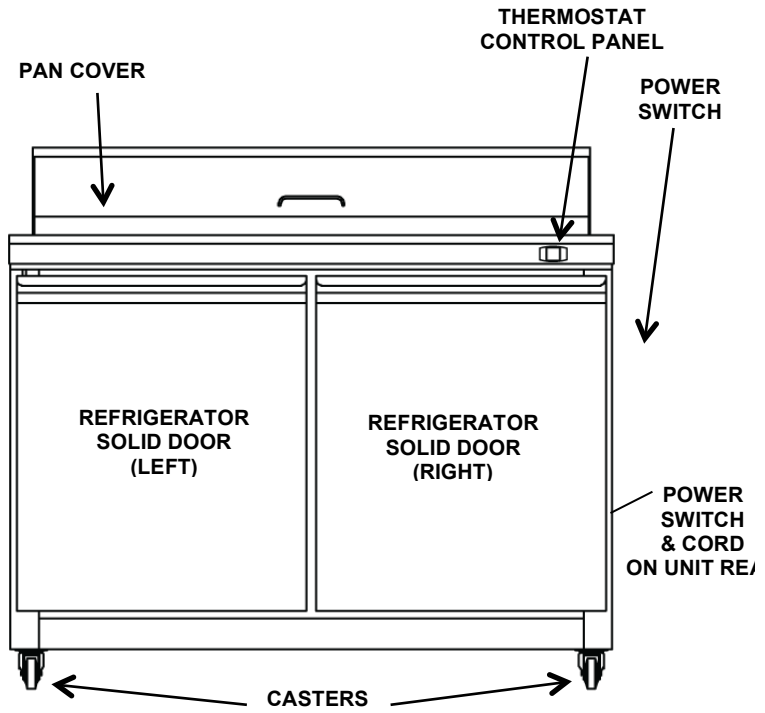
The Legacy Companies assumes no liability or responsibility of any kind for products manufactured by Maxx Cold, that have been altered in any way, including the use of any parts and/or other components not specifically approved by The Legacy Companies. Maxx Cold reserves the right to make design changes and/or improvements at any time. Specifications and designs are subject to change without notice.

COMPONENT INFORMATION

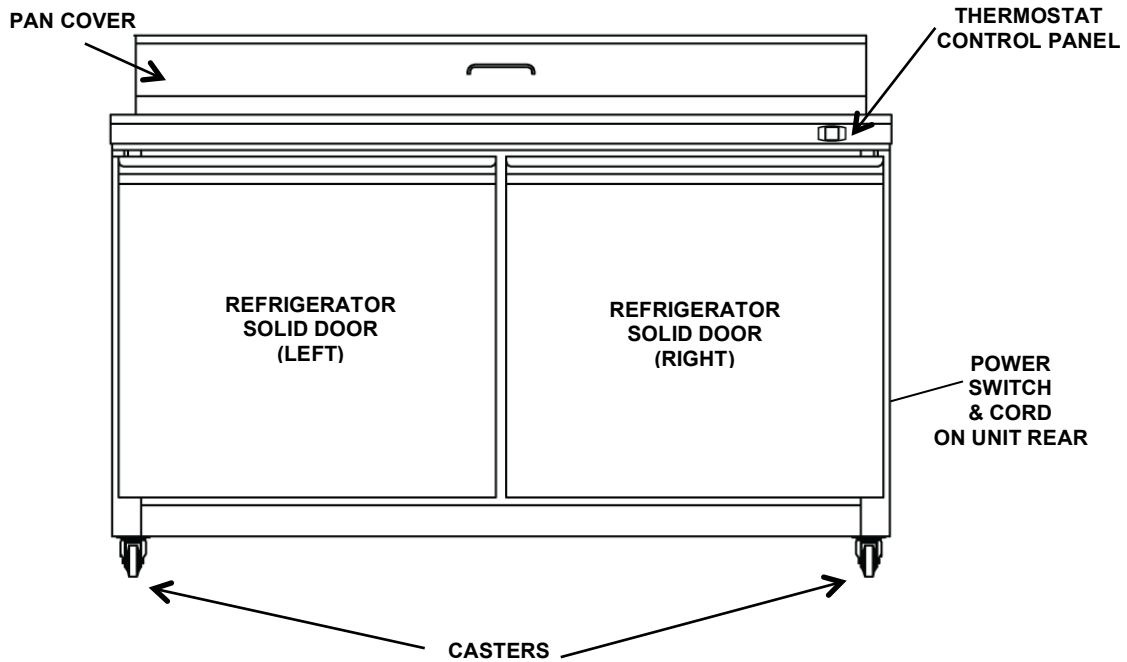
MVR29SHC/ MVR29MHC



MVR48SHC/MVR48MHC



MVR60SHC/MVR60MHC



APPLIANCE INSTALLATION

WARNING

Excessive Weight Hazard

Use two or more persons to move and install appliances.
Failure to do so may result in back or other injury.

Remove Packaging Materials

IMPORTANT:

Do not remove any permanent instruction labels or the data label on your appliance.

- Remove tape and glue from your appliance before using.
- To remove any remaining tape or glue, rub the area briskly with your thumb. Tape or glue residue can also be easily removed by rubbing a small amount of liquid dish soap over the adhesive with your fingers. Wipe with warm water and dry with a soft cloth.
- Do not use sharp instruments, rubbing alcohol, flammable fluids, or abrasive cleaners to remove tape or glue. These products can damage the surface of your appliance.

NOTICE:

LOSS OR SPOILAGE OF PRODUCTS IN YOUR APPLIANCE IS NOT COVERED BY WARRANTY. IN ADDITION TO FOLLOWING RECOMMENDED INSTALLATION PROCEDURES. PLEASE RUN THE APPLIANCE 24 HOURS PRIOR TO USAGE.

Location Requirements

- Appliances represented in this manual are intended for indoor use only.
- Be sure the location chosen has a floor strong enough to support the total weight of the cabinet and contents as a fully loaded unit can weigh as much as 800 pounds.
- Reinforce the floor as necessary to provide for maximum loading.
- For the most efficient refrigeration, be sure to provide good air circulation inside and out.

Inside cabinet:

Do not pack the units so full that air cannot circulate. The refrigerated air is discharged at the top rear of the unit. It is important to allow for proper air flow from the top rear to the bottom of the unit. Obstructions to this air flow can cause evaporator coil freeze ups and loss of temperature or overflow of water from the evaporator drain pan. The shelves have a rear turn up on them to prevent this. However, bags and other items can still be located to the far rear of the cabinet. Air is brought into the evaporator coil with fans mounted to the front of the coil.

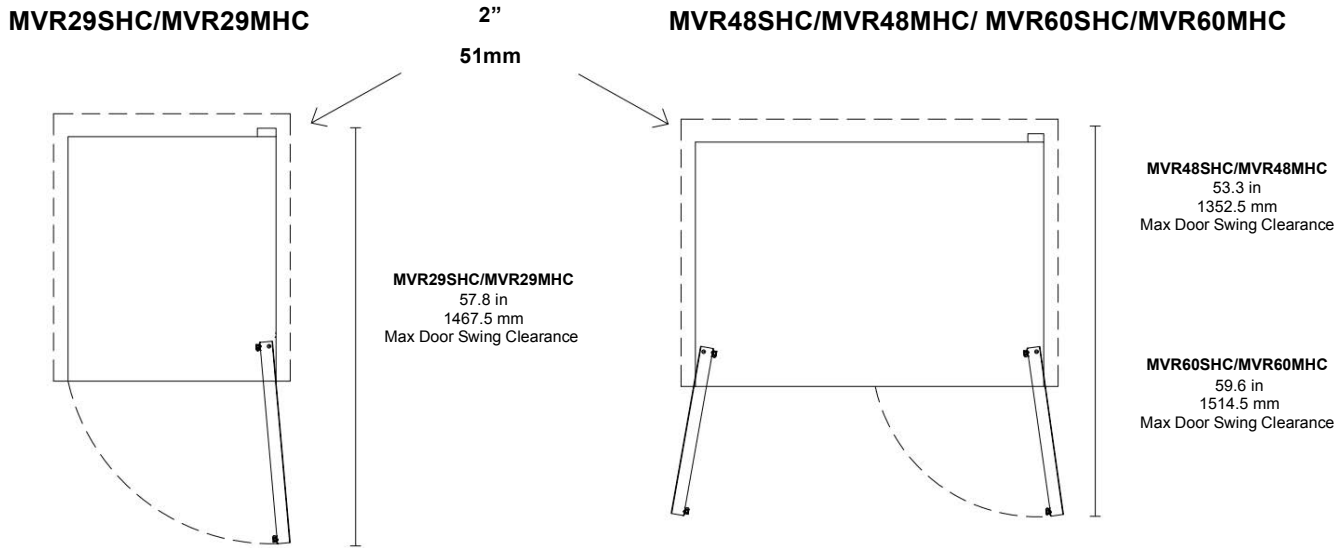
Outside cabinet:

Be sure that the unit has access to ample air. Avoid hot corners and locations near stoves and ovens.

It is recommended that the unit be installed no closer than 2" (51mm) from any wall, and a max door swing clearance of 60.5 in (1537mm).

APPLIANCE INSTALLATION (cont.)

Installation Clearance



Leveling

Ensure the floor where the unit is to be located is level, or shim the unit to level.

Stabilizing

All models are supplied with casters for your convenience. It is very important, however, that the cabinet be installed in a stable condition with the front wheels locked while in use. Should it become necessary to lay the unit on its side or back for any reason, allow at least 24 hours before start-up to allow compressor oil to flow back into place. Failure to meet this requirement can cause compressor failure and unit damage, which would not be covered by your warranty.

NOTICE:

Unit repairs will not be subject to standard unit warranties if due to improper installation procedures.

Electrical Connection

Refer to the amperage data on the Technical Information table, the serial tag, your local code or the National Electrical Code to be sure that unit is connected to the proper power source.



DANGER

The unit must be turned OFF and disconnected from the power source whenever performing service, maintenance functions or cleaning the refrigerated area. Failure to comply may result in Death or Severe Personnel Injury.

OPERATION

Refrigerated cycle

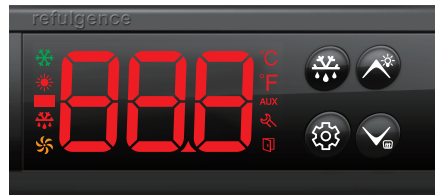
1. Every 6 hours, the unit will turn off and to allow the evaporator coil to air defrost. The controller now displays defrost symbol. When the coil temperature reaches 53°F (12°C) or after 30 minutes of defrost, the unit will turn on again.
2. Anti-condensation heaters on door frames work in conjunction with the compressor.
3. Recommended holding temperature range: 34° to 40°F (2° to 5°C).
4. Comes factory set to 39°F (4°C).

Power Switch:

The power switch is located on the front of the bottom panel. When the unit is on, the switch will glow green.

SOLID-STATE THERMOSTAT DESCRIPTIONS

1. FRONT PANEL COMMANDS










2.3 Specification size

Mounting size: 71 * 29mm

Product size: 78.5 * 34.5 * 74mm

2.4 Indicator symbol and status description

| Indicator light | Symbol | Status | Meaning |
|-------------------|---|--------|---|
| Setting |  | ON | Parameter setting |
| | | OFF | Status of temperature measuring and controlling |
| Refrigeration |  | ON | Refrigeration work |
| | | OFF | Refrigeration stop |
| | | FLASH | Refrigeration time delay |
| Defrost |  | ON | Defrost work |
| | | OFF | Defrost stop |
| | | FLASH | Defrost delay/defrost drip |
| Fan |  | ON | Fan work |
| | | OFF | Fan stop |
| Heating indicator |  | ON | Heating work |
| | | OFF | Heating stop |
| | | FLASH | Heating delay |
| Door switch |  | ON | Cabinet door open |
| | | OFF | Cabinet door close |
| Power |  | ON | External power supply |
| | | OFF | AC power supply |

OPERATION



2. MAIN FUNCTIONS

| Keys | Function | Button action |
|------|--|--|
| | The real-time display interface is continuously pressed to enter the parameter setting state | Pressing the keys for 3s |
| | View and modify the cabinet temperature setting | Press the response |
| | Switch between menu and parameter | Press the response |
| | The real-time display interface is pressed to view the temperature value of the evaporator sensor | Press the response |
| | Press the parameter setting interface to exit the parameter setting state | Press the response |
| | The real-time display interface continuously switches between refrigeration, defrost/defrost delay, and defrost drip for 3 seconds | Pressing the keys for 3s |
| | Press the parameter setting interface to adjust the menu and parameters | Press the response |
| | Live display interface pressed to turn lights on/off (only valid for models with light control) | Press the response |
| | Press the parameter setting interface to adjust the menu and parameters | Press the response |
| | Controller on/off | Combine the keys and press 3S continuously |
| | View the interface and press and hold 3S to enter maintenance mode | Combine the keys and press 3S continuously |
| | Force start refrigeration | Combine the keys and press 3S continuously |

1) View and modify cabinet temperature set-point

- Under temperature measuring and controlling status, press and release key, the set indicator will light and the panel will display cabinet temperature set-point. Users may view and modify the cabinet temperature set-point.
- Press key or keep the controller inactive for 30 seconds, the controller will exit cabinet temperature viewing/modifying status with the current temperature set-point automatically saved.

2) Set parameters

- Under temperature measuring and controlling status, press the key for 3 seconds, display password "00" (After pressing the key continuously for 2S, the "Po" code 1S will be displayed, and after the "Po" display disappears, you can release the key), set indicator setting key on, display password "00" (Administrator menu password, you need to enter the correct password to enter the administrator menu).
- Press key, the panel will display 00. Users can enter the controller's admin menu password by pressing or key. After the password entered (please make sure the password is fully entered), press key, the controller will automatically verify the password. Once the password has been verified (entering admin menu), the panel will display c1. Press or key to select parameter c1, c2.....Po, i.e.(Menu items cycle through) ; If the password is entered incorrectly, the controller displays "Er" and returns to the measurement and control status.
- After a parameter is selected, press key to set its value. Use or key to adjust the value, then press key again to return to menu option status.
- Under parameter setting status, press key or keep the controller inactive for 30 seconds to exit settings with the parameter set-point saved automatically.

Note: ① Admin menu password can be set via parameter Po.

② If Po is set to 0, i.e. no password is required when entering admin menu. Under temperature measuring and controlling status, press key for 3S, the panel will display c1 directly.

③ Users may use universal password 125 to enter admin menu if Po value is forgotten.

④ The admin menu password is valid for once. After exiting parameter settings by pressing or keeping the controller inactive for 30S, correct password is required again before adjusting parameters.

3) View the value read by the defrost sensor

Under temperature measuring and controlling status, press key to view the measured temperature by the defrost sensor.

4) Manual force operation

- Under temperature measuring and controlling status, press and hold key for 3S to switch the status between cooling, defrost/defrost delay and dripping.
- Under temperature measuring and controlling status, press key to turn on or off the light(Valid only for models with light control).

5) Power on/off

- Under temperature measuring and controlling status, press and hold + key for 3S, the controller will be turned off and shut down all the outputs and the panel will display ---.
- When the controller is off, press and hold + key for 3S, the controller will be powered on.
- When the controller is off, press key, the light can be turned on or off and other keys are disabled at this time.

6) One-click production test function

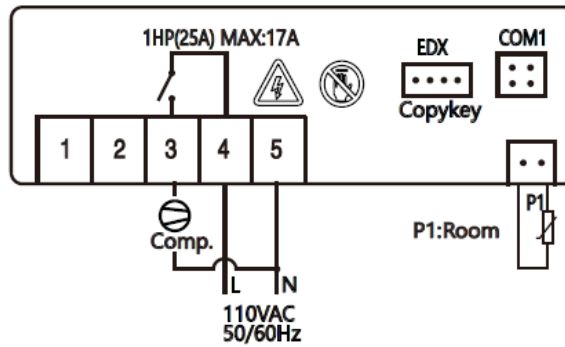
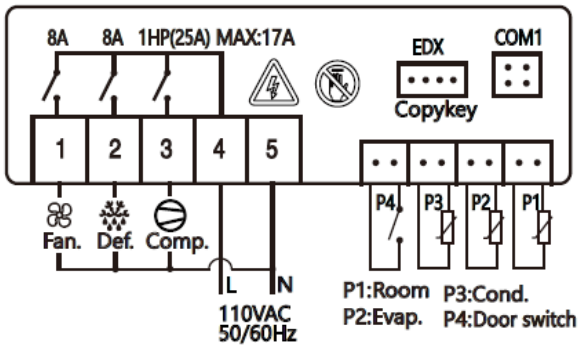
Under the measurement and control state, when the compressor is powered on for the first time, the compressor's first power-on delay C3 is non-0, and the compressor's first power-on compressor power-on delay C3 is not running, press and release, the compressor's first power-on delay is reduced to 0, and the compressor starts immediately when the compressor starting conditions are met.

Note: This function is only valid until the end of the compressor's first start-up delay C3 operation, and only once.

3. ALARM SIGNALLING

| Prompt code | Code explanation | Prompt code | Code explanation |
|-------------|------------------------------------|-------------|--|
| E1 | Cabinet temperature sensor failure | Er | Copy card programming failure/password input error |
| E2 | Evaporator sensor failure | EP | Inconsistent data between copy card and controller, programming failure |
| E3 | Condenser sensor failure | dEF | Defrosting |
| rH | Cabinet high temperature alarm | dor | The door opens on cue |
| rL | Cabinet low temperature alarm | --- | The controller press the power key to turn off the display code |
| Ch | Condenser high temperature alarm | Err | Parameter error, press any key to eliminate and restore the default parameters |
| CC | Condenser cleaning reminder | | |

Refer to the actual product.



CLEANING AND MAINTENANCE



DANGER

The unit must be turned off and disconnected from the power source whenever performing service, maintenance functions or cleaning the refrigerated area. Failure to comply may result in death or severe personnel injury.

Exterior and Interior Cleaning of Appliances

Clean using soap and warm water. If this isn't sufficient, try ammonia and water or a nonabrasive liquid cleaner. When cleaning the exterior, always rub with the "grain" of the stainless steel to avoid marring the finish.

- Do not use an abrasive cleaner because it will scratch the stainless steel and plastic and can damage the breaker strips and gaskets.

Cleaning the Condenser Coil

Regular cleaning is recommended every 90 days. In some instances, you may find that there is a large amount of debris and dust or grease accumulated prior to the 90 day time frame. In these cases the condenser coil should be cleaned every 30 days.

If the buildup on the coil consists of only light dust and debris, the condenser coil can be cleaned with a simple brush. Heavier dust build-up may require a vacuum or even compressed air to blow through the condenser coil.

If heavy grease is present, there are de-greasing agents available for refrigeration use and specifically for the condenser coils. The condenser coil may require cleaning with the de-greasing agent and then blown through with compressed air.

Failure to maintain a clean condenser coil can initially cause high temperatures and excessive run times. Continuous operation with dirty or clogged condenser coils can result in compressor failures. Neglecting the condenser coil cleaning procedures will void any warranties associated with the compressor or cost to replace the compressor.

- For efficient operation, keep the condenser surface free of dust, dirt, and lint.
- We recommend cleaning the condenser coil at least once per month.
- Clean the condenser with a commercial condenser coil cleaner and a soft brush, available from any commercial refrigeration equipment retailer, or vacuuming the condenser with a shop vac or use CO₂.



CAUTION

Never use a high pressure water wash for this cleaning procedure as water can damage the electrical components located near or at the condenser coil.

In order to maintain proper refrigeration performance, the condenser fins must be cleaned of dust, dirt and grease regularly. It is recommended that this be done at least every three months. If conditions are such that the condenser is totally blocked in three months, the frequency of cleaning should be increased. Clean the condenser with a vacuum cleaner or stiff brush. If extremely dirty, a commercial-grade condenser cleaner may be required.

CLEANING AND MAINTENANCE (cont.)

Stainless Steel Care and Cleaning

To prevent rust or discoloration on stainless steel several important steps need to be taken. First, we need to understand the properties of stainless steel. Stainless steel contains 70-80% iron which will rust. It also contains 12-20% chromium which forms an invisible passive film over the steel's surface which acts as a shield against corrosion. As long as the protective layer is intact, the metal still resists oxidation. If the film is broken or contaminated, outside elements can begin to breakdown the steel and begin to form rust or discoloration.



CAUTION

Proper cleaning of stainless steel requires soft cloths or plastic scouring pads, never use steel pads, wire brushes or scrapers!

Cleaning solutions need to be alkaline based or non-chloride based. Any cleaner containing chlorides will damage the protective film of the stainless steel. If cleaners containing chlorides are used, be sure to rinse and dry thoroughly.

Routine cleaning of stainless steel can be done with soap and water. Extreme stains or grease should be cleaned with a non-abrasive cleaner and plastic scrub pad. It is always good to rub with the grain of the steel. There are also stainless steel cleaners available which can restore and preserve the finish of the steel's protective layer.

Early signs of stainless steel breakdown can consist of small pits and cracks. If this has begun, clean thoroughly and start to apply stainless steel cleaners in attempt to restore the passivity of the steel.



CAUTION

Never use an acid based cleaning solution! Many food products have an acidic content which can deteriorate the finish. Be sure to clean the stainless steel surfaces of all food products.

Gasket Maintenance

Gaskets require regular cleaning to prevent mold and mildew build up and also to keep the elasticity of the gasket. Gasket cleaning can be done with the use of warm soapy water. Avoid full strength cleaning products on gaskets. Do not use sharp tools or knives to scrape or clean the gasket.

Gaskets can easily be replaced and don't require the use of tools or authorized service technicians. The gaskets are "Dart" style and can be pulled out of the groove in the door and replaced by pressing the new one back into place.

Doors/Hinges

If the door is beginning to sag, tighten the screws that mount the hinge brackets to the frame of the unit. If the doors are loose or sagging, this can cause the hinge to pull out of the frame which may damage both doors and door hinges.

Drain Maintenance

Each unit has a drain located inside the unit which removes the condensation from the evaporator coil and evaporates it into an external condensate evaporator pan. The drain can become loose or disconnected. If you notice excessive water accumulation on the inside of the unit, be sure the drain tube is connected from the evaporator housing to the condensate evaporator drain pan.

If water starts to collect underneath the unit, check the condensate evaporator drain tube to be sure it is still located inside the drain pan.

If your floor is not level, this can also cause drain problems. Be sure all drain lines are free of obstructions because this may cause water to back up and overflow the drain pans.

TROUBLESHOOTING GUIDE

BEFORE CALLING FOR SERVICE

If the unit appears to be malfunctioning, read through the OPERATION section of this manual first. If the problem persists, see Troubleshooting below. The problem may be something very simple that can be solved without a service call.

TROUBLESHOOTING

| Fault | Probable Cause | Action |
|--|---------------------------------------|---|
| Compressor is Not Running | Fuse blown or circuit breaker tripped | Replace fuse or reset circuit breaker. If replacement of fuse or reset of circuit breaker doesn't correct the problem contact a qualified service technician. |
| | Power cord unplugged | Plug in power cord |
| | Thermostat set too high | Set thermostat to lower temperature |
| Cabinet Temperature is too Warm | Thermostat is set too high | Set thermostat to lower temperature. |
| | Airflow is blocked | Re-arrange products to allow for proper air flow. Make sure there is at least four inches of clearance from the fan |
| | Low refrigerant levels | Contact a qualified service technician to check refrigerant levels |
| | Door is slightly ajar | Make sure door is completely closed. |
| Interior Light is Not Working | Poor switch connection | Turn off light switch and turn it back on. |
| | Bulb is not connected | Make sure the bulb is correctly inserted in the socket. |
| | Bulb has burned out | Replace the bulb. If replacement of bulb doesn't correct the problem contact a qualified service technician. |
| Condensation is Collecting on the Cabinet and/or Floor | Gasket is not sealing properly | Clean, repair, or replace the gasket as necessary |



WIRING DIAGRAMS

MVR29SHC/MVR48SHC/MVR60SHC/ MVR29MHC/MVR48MHC/MVR60MHC

