

Save This Manual
for Future Reference

SEARS

**owner's
manual**

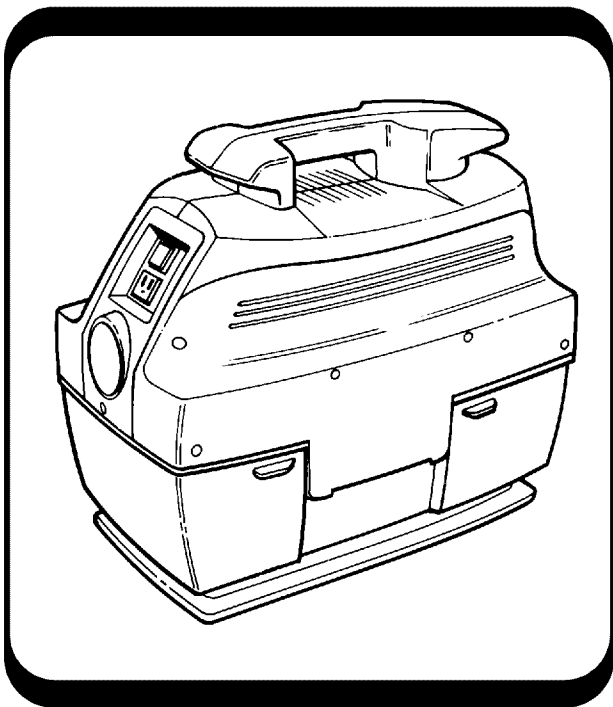
MODEL NO.
113.177260

Serial
Number _____

Model and serial numbers may be found on the handle. You should record both model and serial numbers in a safe place for future use.

**FOR YOUR
SAFETY**

**READ ALL
INSTRUCTIONS
CAREFULLY**



CRAFTSMAN®

TOOL VAC

- **assembly**
- **operating**
- **repair parts**

Sears, Roebuck and Co., Hoffman Estates, IL. 60179 U.S.A.

Part No. SP5929

Printed in U.S.A.

FULL ONE YEAR WARRANTY ON CRAFTSMAN TOOL VAC

If within one year from the date of purchase, this Craftsman Vac fails due to a defect in material or workmanship, Sears will repair it, free of charge.

If this Craftsman Vac is used for commercial or rental purposes, this warranty coverage applies for only 90 days from date of purchase.

Warranty Service Is Available By Simply Contacting The Nearest Sears Service Center/department Throughout The United States.

This warranty applied only while this product is used in the United States.

This warranty gives you specific legal rights, and you may also have other rights which vary from state to state.

Sears, Roebuck and Co., D817 WA, Hoffman Estates, IL 60179

IMPORTANT SAFETY INSTRUCTIONS

Safety is a combination of common sense, staying alert and knowing how your Tool Vac works. Read this manual to understand the Tool Vac.

Safety Signal Words

DANGER: means if the safety information is not followed someone **will** be seriously injured or killed.

WARNING: means if the safety information is not followed someone **could** be seriously injured or killed.

CAUTION: means if the safety information is not followed someone **might** be injured.

When using your vac, follow basic safety precautions including the following.

WARNING - To reduce the risk of fire, electric shock, or injury:

Read and understand this owner's manual and all labels on the vac before operating. Use only as described in this manual. To avoid personal injury or damage to vac, use only Sears Craftsman recommended accessories.

Sparks inside the motor can ignite flammable vapors or dust. To reduce the risk of fire or explosion:

- Do not vacuum, or use this vac near, flam-

mable or combustible liquids, gases, or explosive dusts such as gasoline or other fuels, lighter fluid, cleaners, oil-based paints, natural gas, hydrogen, coal dust, magnesium dust, grain dust, or gun powder.

- Do not use this vac to pick up liquids. This unit should be used to pick up dry debris only.

Do not vacuum anything that is burning or smoking, such as cigarettes, matches, or hot ashes.

Do not vacuum fireplace soot or ash, this is a very fine dust which will not be captured by the filter and may cause damage.

To reduce the risk of health hazards from vapors or dusts, do not vacuum toxic materials.

Do not use or store near hazardous materials.

Do not use outdoors or on wet surfaces.

Do not allow to be used as a toy. Close attention is necessary when used by or near children.

Do not use this vac with a torn filter or without the filter installed.

Do not leave vac when plugged in. Unplug from outlet when not in use and before servicing. Turn off vac before unplugging.

To avoid injury from accidental starting, unplug power cord before changing or cleaning filter.

Connect to a properly grounded outlet only. See grounding instructions.

Do not unplug by pulling on cord. To unplug, grasp the plug, not the cord.

Do not use with damaged cord, plug or other parts. If your vac is not working as it should, has missing parts, has been dropped, damaged, left out- doors, or dropped into water, return it to a Sears Service Center.

Do not pull or carry by cord, use cord as handle, close a door on cord, or pull cord around sharp edges or corners. Do not run vac over cord. Keep cord away from heated surfaces.

Do not use the tool outlet as an extension cord. **Only use with portable electric tools with a 6 amp rating or less.**

Do not handle plug or the vac with wet hands.

Do not put any object into ventilation openings. Do not vacuum with any venti-

lation openings blocked; keep free of dust, lint, hair or anything that may reduce air flow.

Keep hair, loose clothing, fingers, and all parts of body away from openings and moving parts.

To reduce the risk of falls, use extra care when cleaning on stairs.

Observe the following warnings that appear on the motor housing of your vac.

⚠ WARNING

- **TO REDUCE THE RISK OF INJURY, MAKE SURE TOOL IS TURNED OFF BEFORE PLACING SWITCH IN AUTO POSITION.**
- **TO REDUCE THE RISK OF FIRE, DO NOT CONNECT A TOOL RATED MORE THAN 6 AMPS TO THIS RECEPTACLE.**

824407

⚠ WARNING

- **For your own safety, read and understand owner's manual.**
- **Do not pick up hot ashes, coals, toxic, flammable or hazardous materials.**
- **Do not use around explosive liquids or vapors.**
- **To reduce the risk of electric shock, do not use outdoors or on wet surfaces and do not pick up liquids.**

824408

SAVE THESE INSTRUCTIONS

The operation of any utility vac can result in foreign objects being blown into the eyes, which can result in severe eye damage. Always wear safety goggles complying with ANSI Z87.1 (shown on package) before commencing operation. Safety Goggles are available at Sears retail stores.

To avoid hearing damage, wear ear protectors when using the vac for extended

hours or when, using it in a noisy area.

For dust operations, wear dust mask.



Introduction

This vac is intended for household use with small hand held power tools with current rating 6 amperes or less. It may also be used for dedicated dry vacuuming jobs needed in the household.

IMPORTANT NOTE Please Read Carefully

Static Shocks Are Common - In dry areas or when the relative humidity of the air is low. To reduce the frequency of static shocks in your home the best remedy is to add moisture to the air with a console humidifier.

Owner's Manual Contents

Item	Page
Warranty.....	2
Safety Instructions.....	2
Safety Signal Words.....	2
Introduction.....	4
Owner's Manual Contents.....	4
Unpacking and Checking Carton	
Contents	4
Carton Contents List	4
Cage Assembly	5
Filter Assembly.....	6
Getting to Know Your Vac.....	6

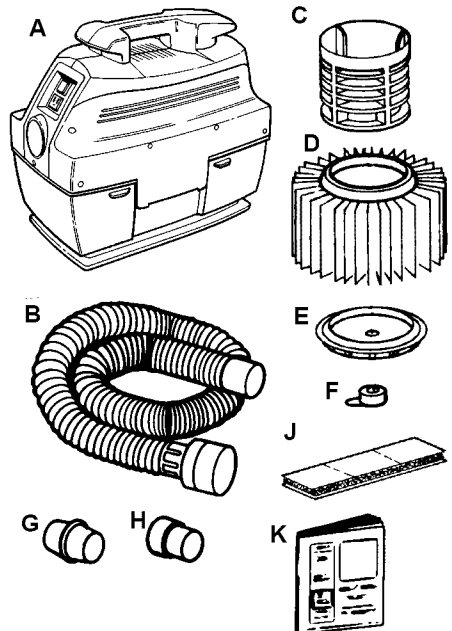
Item	Page
Cord Storage.....	7
Operation	7
Emptying the Drum	8
Filter Maintenance	9
Cleaning.....	9
Removal.....	9
Dry Filter	9
Installation.....	9
Vac Maintenance	9
Grounding Instructions.....	10
Repair Parts	12

Unpacking and Checking Carton Contents

Remove entire contents of carton. Check each item against the Carton Contents List. Notify your Sears Store immediately if any parts are damaged or missing.

Carton Contents List

Key	Description.....	Qty
A	Vac.....	1
B	Hose	1
C	Filter Cage	1
D	Filter.....	1
E	Filter Plate.....	1
F	Filter Nut	1
G	Adapter Hose #0.....	1
H	Adapter Hose #1	1
J	Strip Velcro	1 Strip of 3 pcs.
K	Owners Manual.....	1

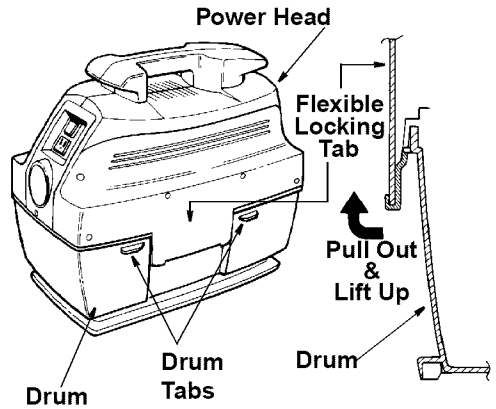


Cage Assembly

WARNING: For your own safety, never connect plug to power source outlet until all assembly steps are complete and you have read and understood the safety and operation instructions. Do not operate vac with any parts damaged or missing.

NOTE: Your vac is shipped unassembled. Read the following assembly instructions carefully.

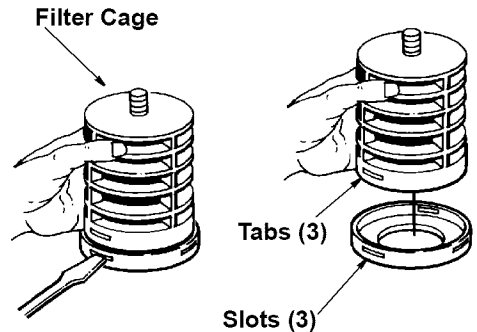
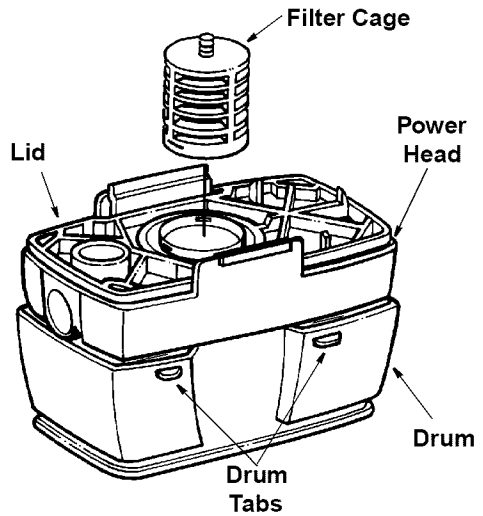
1. Grasp flexible locking tabs on both the right and left side of the power head. Place your thumbs on the drum tabs. Slowly pull locking tabs away from drum and press down on the drum tabs. Lift the power head off the drum. Flip the power head and place it in the drum.



WARNING: To avoid personal injury or damage to vac be sure to keep hands, fingers, or any other foreign objects out of the center opening when assembling the filter cage.

2. Line up filter cage tabs with the slots in the center ring of the lid.
3. Push on the filter cage until the tabs snap into the slots for a secure fit. (One tab at a time)

NOTE: If the filter cage needs to be removed, use a slotted screwdriver and insert the blade near one of the tabs between the filter cage and the center ring of the lid. Pry the tab out of the slot. Tilt the filter cage and lift slightly away from the lid. To replace, follow cage assembly instructions.



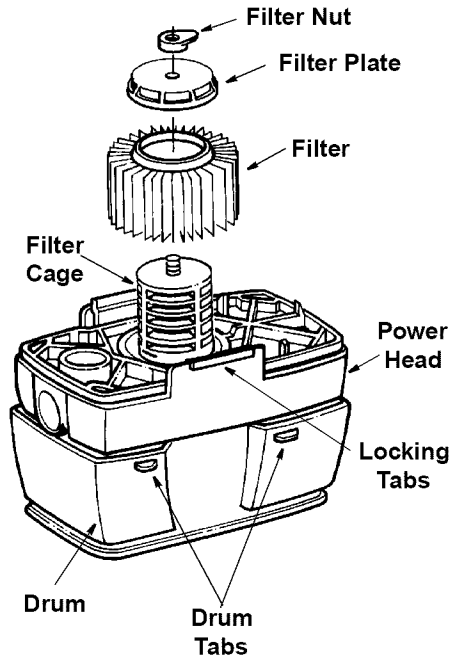
Filter Assembly

1. Carefully slide the filter onto the filter cage, sliding it over the center ring covering the 3 slots until the filter stops against the lid.
2. Place the hole in the filter plate over threaded screw of the filter cage.
3. Gently push on the filter plate to seat the rubber ring of the filter inside the circular channel of the filter plate.
4. Place filter nut onto threaded screw and tighten it. Finger tighten only.

NOTE: Lever of filter nut should be away from plate as shown.

IMPORTANT: Do not overtighten as this may deform or crack the filter plate or filter cage.

5. To assemble the power head to the drum, position power head over drum, with flexible locking tabs lined up with recess in drum. (The power head will only fit on the drum one way).
6. Push down on the power head and listen for the locking tabs to “snap” in place.
7. Your vac is now ready to use. Read the instructions on the following pages to operate your vac safely.



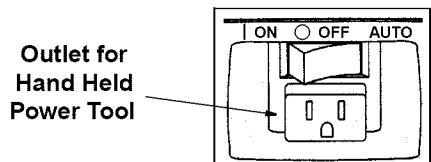
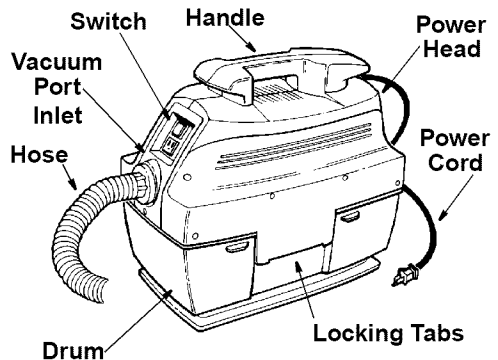
Getting to Know Your Vac

1. Familiarize yourself with the controls and features of your vac before operating.

Push or press rocker switch to “AUTO” for automatic vac use, controlled by the hand held power tool being used. The vac will not energize until the tool connected to the vac is energized. The center position of the switch is the “OFF” position.

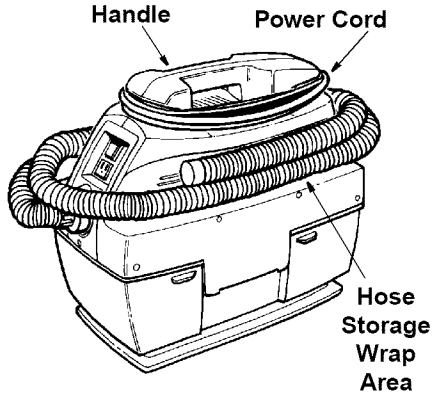
Push or press rocker switch to “ON” to energize the vac for continuous run. The vac will energize immediately when the switch is in this position. Outlet is disabled.

NOTE: This vac is intended for use with hand held power tools with amp ratings of 6 amps or less.



Cord and Hose Storage

1. Your vac has a convenient area to store your power cord and vac hose.
2. Wrap the power cord around the top of the handle on the vac and attach the end of the plug to the cord.
3. Wrap the hose around the vac as shown and group the hose together as shown in the diagram.



CAUTION: A partially unwrapped cord may fall in coils near your feet. You could trip. To avoid this, always fully unwrap the cord before plugging it in.

Operation

WARNING

To reduce the risk of fire or explosion, do not operate this vac in areas with flammable gases or flammable vapors such as lighter fluid, cleaners, oil-base paints, gasoline, alcohol or explosive dust such as coal, magnesium, grain or gun powder in the air. Do not vacuum explosive dust, flammable or combustible liquids or hot ashes. To reduce the risk of health hazards from vapors or dusts, do not vacuum toxic materials. Do not use outdoors or on wet surfaces. Unplug power cord before changing or cleaning filter or emptying the dust drum.

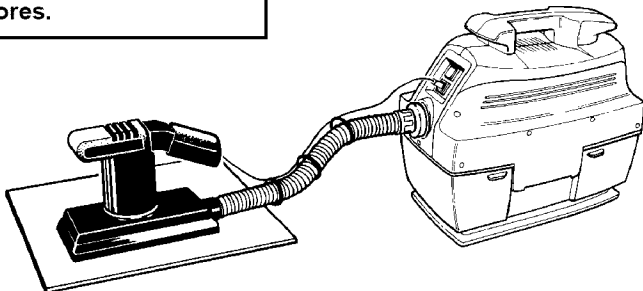
CAUTION: To reduce the risk of hearing damage wear ear protectors when using the vac for extended hours or when using it in a noisy area.

The operation of any utility vac can result in foreign objects being blown into the eyes, which can result in severe eye damage. Always wear safety goggles complying with ANSI Z87.1 (shown on package) before commencing operation. Safety Goggles are available at Sears retail stores.

CAUTION: Use of this vac is intended for general household dry debris cleaning and dedicated use with small portable electric tools having a current rating of 6 amperes or less.

This Tool Vac is designed primarily for fine dust sanders (hand held power tools used for wood finishing or drywall sanding projects).

1. Connect the large end of the vac hose to the inlet of the Tool Vac.



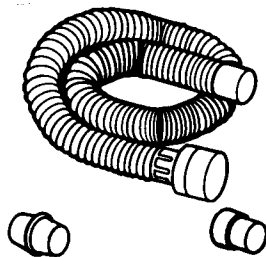
2. Plug the cord of the hand held power tool into the Tool Vac outlet (located below the switch). Use the 3 Velcro strips supplied with the Tool Vac to hold the power cord to the vacuum hose. Wrap the Velcro strips around the hose and cord for safe and convenient tool usage. Then connect the hand held power tool to the vac hose supplied, by using one of the adapters supplied, or by purchasing the adapter that may be suggested for use in the owner's manual of your hand held power tool. (Most hand held power tools will have adapters available for purchasing through service parts in their owner's manuals.) The large variety of hand held power tool exhaust ports makes it very difficult to supply attachments for each portable electric tool in the market place.

3. Plug the power cord of the tool vac into your wall outlet.
4. Push or press the switch to the "AUTO" position (the vac will not energize).
5. Switch your hand held power tool "ON". The Tool Vac will turn on automatically.
6. Begin using the hand held power tool on your project. After completing the job, turn the hand held power tool "Off".

The Tool Vac will continue to run for approximately 5 seconds. It runs longer to clear the debris in the hose. The Tool Vac will automatically shut off.

Use of Hose Adapters

The flexible vinyl adapters supplied with your Tool Vac provide connection between the hand held power tool and the 1-1/4" x 11' Tool Vac hose. The adapters may be used in various combinations to make these connections. The inside diameter of the swivel hose end is for 1 inch outside diameter connections. The outside diameter of the swivel hose end may be used with Craftsman 1-1/4" wet/dry vac accessories.



Adapter #0

Adapter #1

Suggested Wet/Dry Vac accessories for dry vacuuming:

- 9-17862 Dusting Brush
- 9-17863 Crevice Tool
- 9-17868 Car Nozzle
- 9-17825 Dry Nozzle
- 9-17861 (2) Extension Handles

The adapters are numbered (#0 and #1) Adapter #0 connects to the swivel end of the hose and to hand held power tools with dust port connections approximately 1.3 inches outside diameter. This adapter will also couple with attachments in the 9-11766 "Dust Pick Up Attachment Kit" available at Sears.

Adapter #1 connects to the swivel end of the hose and to hand held power tools with dust port connections approximately 1.2 inches outside diameter. This adapter will also couple with part number 9-16909, 1-1/2 inch diameter ten foot hose (if a larger diameter hose is preferred).

Emptying the Drum

WARNING: To avoid injury from accidental starting, unplug power cord before emptying the drum.

1. Remove the power head as described in step 1 of the "Cage Assembly" section, set the power head to the side and dump the contents into a proper waste disposal container.

WARNING: Always wear safety goggles complying with ANSI Z87.1 (shown on Package) before commencing operation. Safety Goggles are available at Sears stores.

Filter Maintenance

WARNING: Do not remove the filter cage. It is there to help prevent your fingers from getting into the blower wheel.

Cleaning

Your filter should be cleaned often to maintain peak vac performance.

NOTE: This filter is a two stage filter made of high quality paper designed to stop very small particles of dust. Handle the filter carefully when removing to clean or installing it. Creases in the filter pleats may occur from installation but creases will not affect the performance of the filter.

Removal

To remove the filter for cleaning or replacement, remove filter nut from the screw on the filter cage, remove filter plate and lift off filter.

IMPORTANT: To avoid damage to the blower wheel and motor, always reinstall the filter before using the vac for pick-up.

IMPORTANT: After cleaning, check the filter for tears or small holes. Do not use a filter with holes or tears in it. Even a small hole can cause a lot of dust to come out of

Tool Vac Maintenance

To keep your vac looking its best, clean the outside with a cloth dampened with warm water and mild soap.

To clean the drum:

1. Dump debris out.
2. Wash drum thoroughly.
3. Wipe out with dry cloth.

your vac. Replace it immediately.

Dry Filter

NOTE: For best results of cleaning due to accumulated dust, clean the filter in an open area. Cleaning SHOULD be done outdoors and not in the living quarters.

1. Some removal of dry debris can be accomplished without removing the filter from the vac by slapping your hand on top of the lid while the vac is turned off.
2. After filter removal from vac, remove the dry debris by gently tapping the filter against the inside wall of your dust drum and the debris will loosen and fall.

Installation

To ensure a proper seal, clean the lid area where the filter will seat. Slide the new filter over the filter cage. Replace filter plate then run filter nut down threads, finger tight only. Do not overtighten as this will cause deformation or cracks in the filter. Refer to "Filter Assembly" section of this owner's manual.

WARNING: To assure product SAFETY and RELIABILITY, repairs and adjustment should be performed by Sears Service Centers, always using Sears replacement parts.

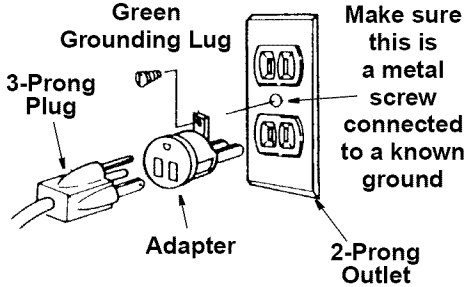
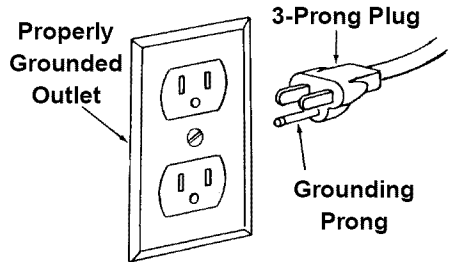
Grounding Instructions

This appliance must be grounded. If it should malfunction or breakdown, grounding provides a path of least resistance for electric current to reduce the risk of electric shock. This appliance is equipped with a cord having an equipment-grounding conductor and grounding plug. The plug must be inserted into an appropriate outlet that is properly installed and grounded in accordance with all local codes and ordinances.

WARNING: Improper connection of the equipment-grounding conductor can result in a risk of electric shock. Check with a qualified electrician or service person if you are in doubt as to whether the outlet is properly grounded. Do not modify the plug provided with the appliance - if it will not fit the outlet, have a proper outlet installed by a qualified electrician.

This appliance is for use on a nominal 120 volt circuit, and has a grounded plug that looks like the plug shown. A temporary adaptor that looks like the adaptor shown may be used to connect this plug to a 2-pole receptacle as shown if a properly grounded outlet is not available. The temporary adaptor should be used only until a properly grounded outlet can be installed by a qualified electrician. The green colored rigid ear, lug or the like extending from the adaptor must be connected to a permanent ground such as a properly grounded outlet box cover. Whenever the adaptor is used, it must be held in place by a metal screw.

NOTE: In Canada, the use of a temporary adaptor is not permitted by the Canadian Electrical Code.



Repair Parts

Craftsman Tool Vac Model Number 113.177260

Always order by Part Number - Not by Key Number

Key No.	Part No.	Description
1	824275	Cord w/Plug
2	820563-7	Screw, Pan Hd 10-32 x 3/4
3	824259	Board, Control
4	824660	Hose, 1-1/4" x 11 Ft.
5	824257-1	Cover, Motor Left
6	818977	Cage, Filter
7	824280	Filter, 2 Stage
8	818978	Plate, Filter Top
9	73316	Nut, Filter
10	818989-3	Drum, Dust
11	821814-2	Lid
12	STD610805	*Screw, Pan Hd Ty AB #8 x 1/2
13	824278-1	Outlet
14	824264-1	Switch
15	824256-1	Plate, Switch/Inlet
16	824273-1	Gasket, Lid Left

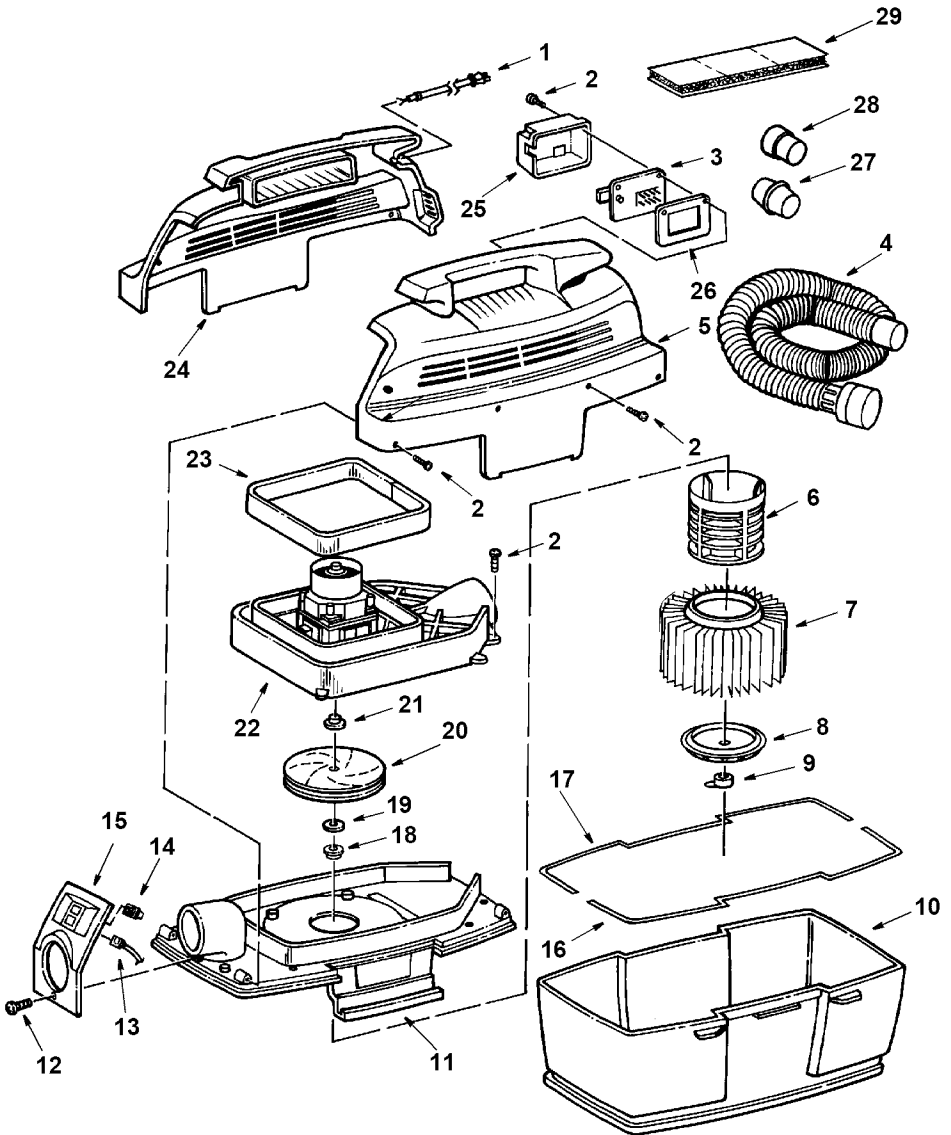
Key No.	Part No.	Description
17	824273	Gasket, Lid Right
18	816345-1	Nut Hex Flange 1/4-20
19	15534-1	Washer
20	818413-5	Wheel, Blower
21	818961	Spacer
22	824268	Motor & Collector
23	824262	Foam-Noise Reduction
24	824258-1	Cover, Motor-Right
25	824261	Cover, Board Back
26	824260	Cover, Board Front
27	824661	Adaptor, Hose #0
28	824661-1	Adaptor, Hose #1
29	824940	Strip, Velcro
—	SP5929	Owners Manual (Not Illustrated)

† Stock Item - may be secured through the hardware department of most sears retail stores

*Standard Hardware Item - may be purchased locally.

Repair Parts

Craftsman Tool Vac Model Number 113.177260

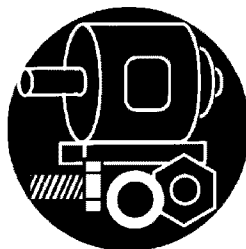


For the repair or replacement parts you need

Call 7 am - 7 pm, 7 days a week

1-800-366-PART

(1-800-366-7278)



For in-home major brand repair service

Call 24 hours a day, 7 days a week

1-800-4-REPAIR

(1-800-473-7247)



**For the location of a
Sears Repair Service Center in your area**

Call 24 hours a day, 7 days a week

1-800-488-1222



**For information on purchasing a Sears
Maintenance Agreement or to inquire
about an existing Agreement**

Call 9 am - 5 pm, Monday-Saturday

1-800-827-6655



SEARS
REPAIR SERVICES

America's Repair Specialists

The model and serial numbers will be found on the handle.

When requesting service or ordering parts, always provide the following information:

- Product Type
- Part Number
- Part Number
- Part Description

Sears, Roebuck and Co., Hoffman Estates, IL. 60179 U.S.A.

Part No. SP5929

Form No. SP5929

Printed in U.S.A. 7/96