

Performance Series



Thank you for purchasing a NavePoint product. NavePoint intends this manual to guide you through a smooth installation of the product. NavePoint assumes that you are qualified in the servicing of computer equipment and trained in recognizing any hazards that may occur in the installation of this product. If you have any questions regarding the installation or use of your product, please call us at 888.505.1363.

www.NavePoint.com
customerservice@navepoint.com
© 2018 NavePoint, LLC
Rev. 20180327



Examine the package for any damaged or loose parts. If anything is damaged or missing, contact NavePoint for assistance. Do not attempt to install or use cabinet if it has been damaged.

The information contained in this document is subject to change without notice.

NavePoint makes no warranty of any kind with regard to this material, including, but not limited to the implied warranties of merchantability and fitness for a particular purpose.

NavePoint shall not be liable for errors contained herein or for incidental or consequential damages in connection with the furnishing, performance, or use of this material.

NavePoint assumes no responsibility for the use, application, or reliability of the software or hardware that you install into the product. Always install the heaviest equipment in the bottom.

It is highly recommended that installation of this product be performed by a qualified and experienced installer. Improper installation of this product could result in damage to the product, other equipment, or personal injury. NavePoint cannot be held responsible for damage to equipment or personal injury resulting from improper use, installation or the misuse of information presented in this document.

Important information

Keep this information for further reference.

WARNING

Different wall materials require different type of anchoring devices. Use anchoring devices suitable for the walls which you are using in your application. For advice on suitable anchoring systems, contact your local specialist.

Limitations of Liability: In no event will NavePoint, LLC. (or its officers, directors, employees or agents) be liable for any damages, whether direct or indirect, special, punitive, incidental or consequential damages (including, but not limited to, lost profits or revenue, loss of use, lost business opportunities or loss of goodwill) or for the costs of procuring substitute products, arising out of or in connection with the use of the product, whether such liability arises from any claim based upon contract, warranty, tort (including negligence), product liability or otherwise, whether or not seller has been advised of the possibility of such loss or damage. In no event will seller's total cumulative liability, from all causes of action and all theories of liability, exceed the total amounts actually paid to seller by customer under the order that gives rise to any liability hereunder.



6U

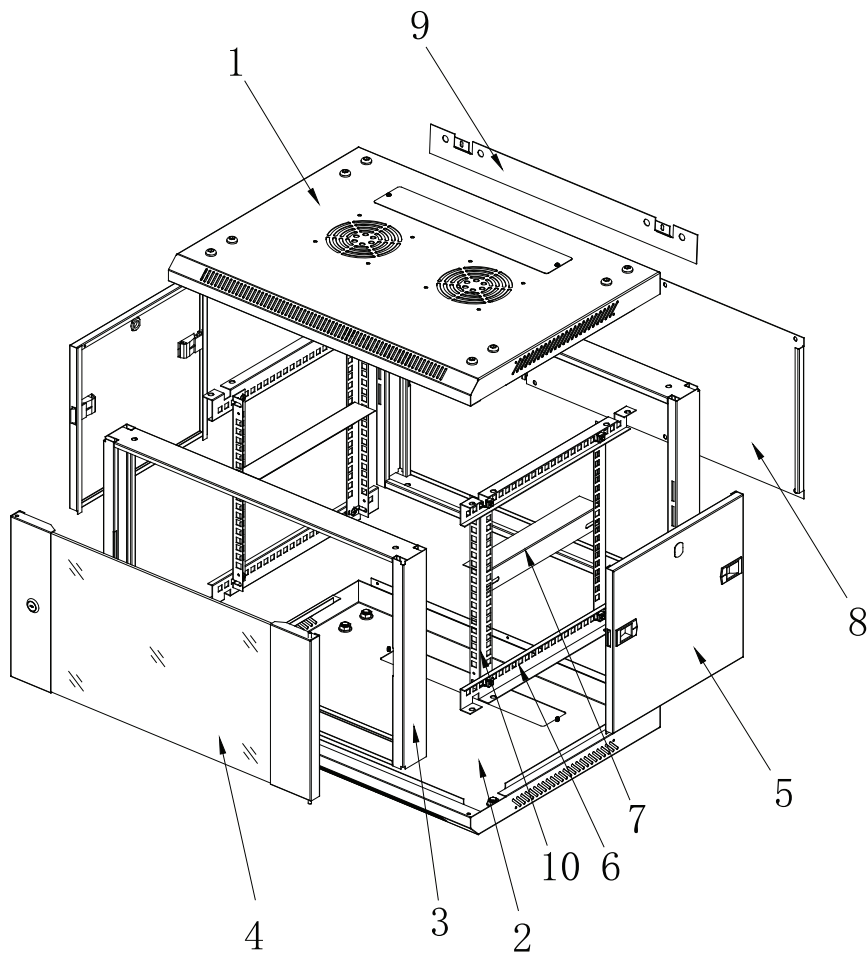
9U

12U

15U

18U

22U



Packaging List

1. Top Panel	1pc	6. Horizontal Beams	1pc
2. Bottom Panel	1pc	7. L Type Mounting Brackets	1pc
3. Frames	2pcs	8. Back Panel	2pcs
4. Front Door	1pc	9. Mounting Bracket	1pc
5. Side Panels	2pcs	10. Vertical Mounting Rails	2pcs

Item List Accessories Packaging

Assembly Hardwares:

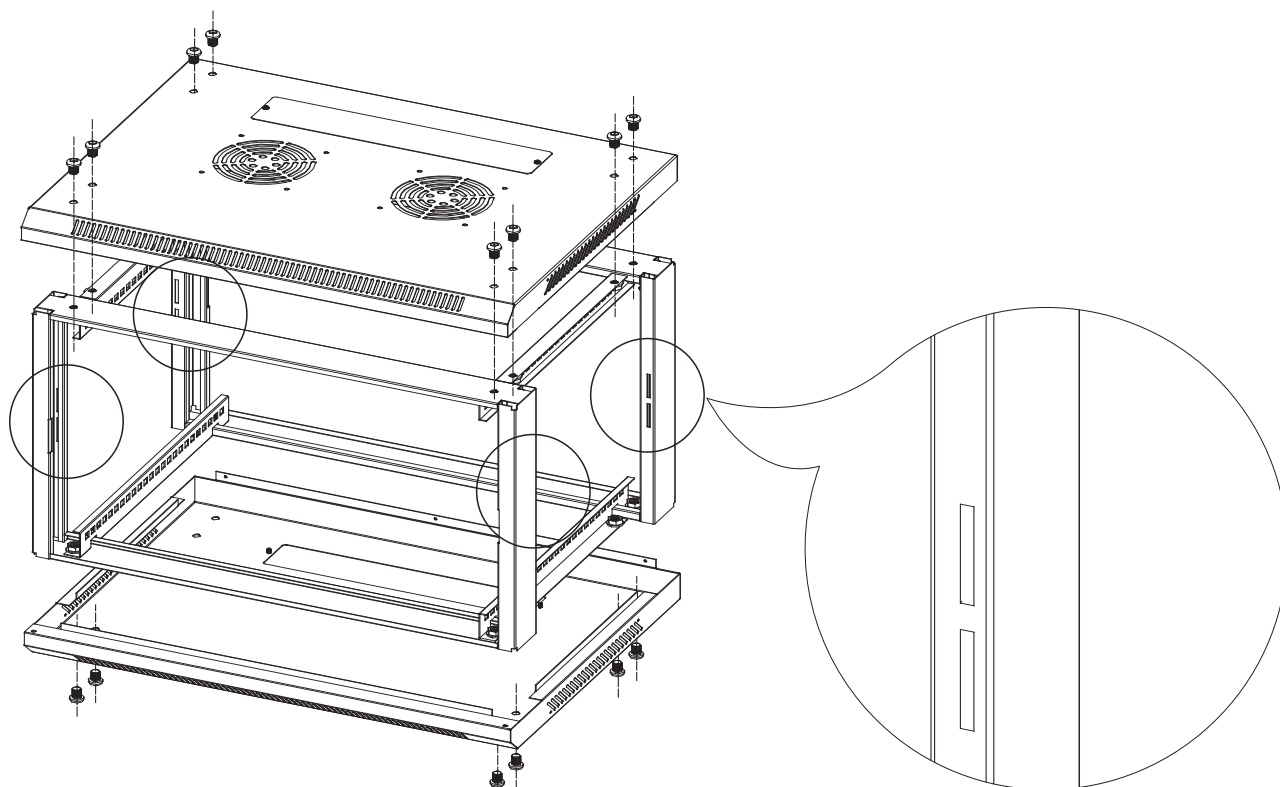
A. M6*12 Screw	12PCS	C. M4*8 Self-tapping Screw	12PCS
M6 Cage Nut	12PCS	White Plastic Washer	1PCS
B. M6*12 Screw	12PCS(6U~12U) 24PCS(15U~22U)	D. M8*12 Inner Hexagon Screw	16PCS
M6 Cage Nut	12PCS(6U~12U) 24PCS(15U~22U)	E. M8 Flange Nut	16PCS
M6 Plastic Washer	12PCS(6U~12U) 24PCS(15U~22U)	F. Casters(Optional)	4PCS(15U~22U)
		G. M6*12 Self-tapping Screw	16PCS(For Casters)
		H. Lock Kit	1PCS
		I. Expansion Screw	4PCS
		J. Ground Wire Kit	1PCS

Tools Needed

Allen Wrench(included),Phillips screwdriver and Pliers

Step 1 – Attach Bottom Panel to Front and Rear Frames

- Lay Bottom Panel (#2) on a hard surface. Be sure to protect it from scratching with cardboard or cloth.
- Insert Front and Rear Frames (#3) with large flange oriented to the inside. Be sure that the slots in the center of the frames are facing inward as shown below.
- Overlay the Horizontal Beams so that the notches interlay with the large flanges on the Front and Rear Frames. The holes for the hex nut and screw should align properly. Be sure to orient the Horizontal Beams so that the flat, cagenut surface is facing inward.
- Attach with (Bag D) M8 Hexagon Screws (8 pcs) and (Bag E) M8 Flange Nuts (8 pcs)

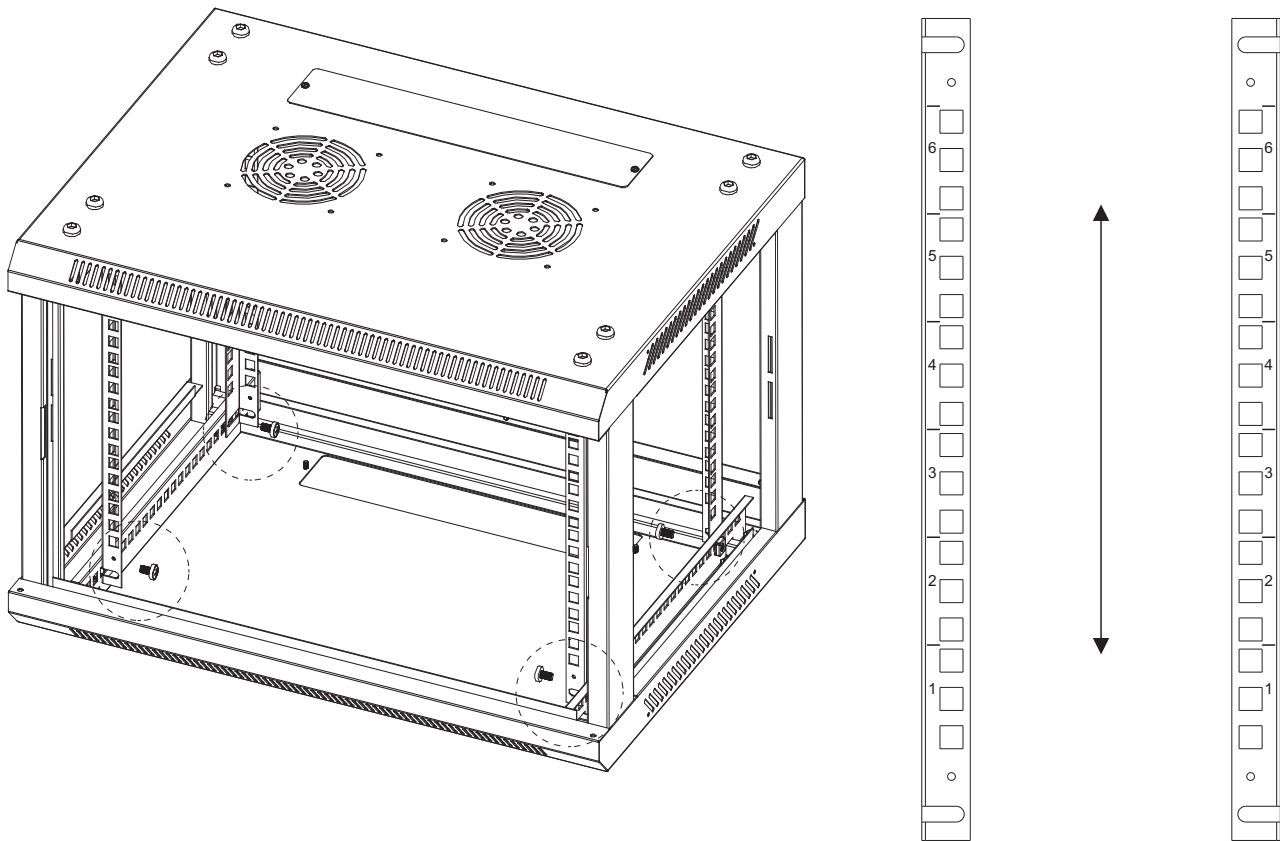


Step 2 – Attach Top Panel

- Place the Top Panel (#1) on the hard surface. Be sure to protect it from scratching with cardboard or cloth. Turn the assembly over and insert it into the top panel. Be sure that the top and bottom Panels (#1 and #2) are oriented in the same direction (front matches front, back matches back).
- Overlay the Horizontal Beams (#6) so that the notches interlay with the large flanges on the Front and Rear Frames. The holes for the hex nut and screw should align properly. Be sure to orient the Horizontal Beams so that the flat, cagenut surface is facing inward.
- Attach with (Bag D) M8 Hexagon Screws (8 pcs) and (Bag E) M8 Flange Nuts (8 pcs)

Step 3 – Install the Vertical Mounting Rails (#10)

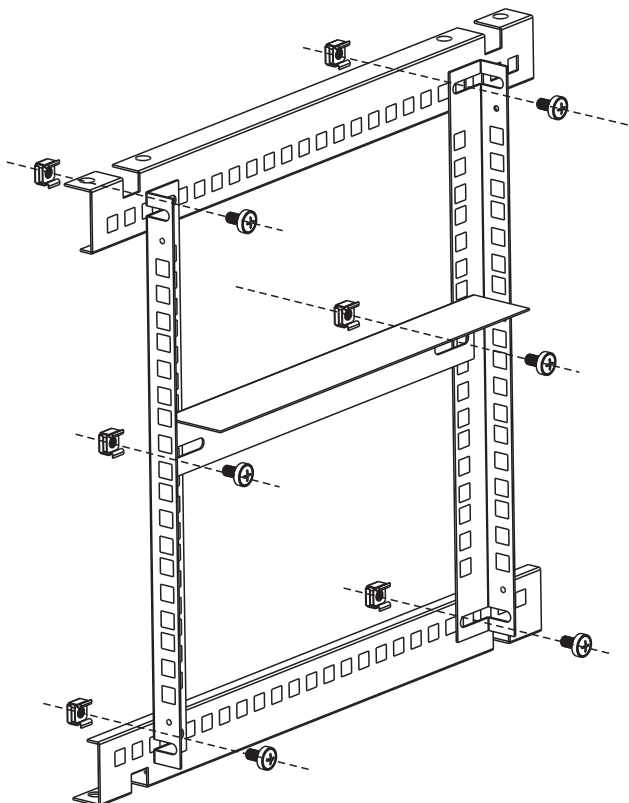
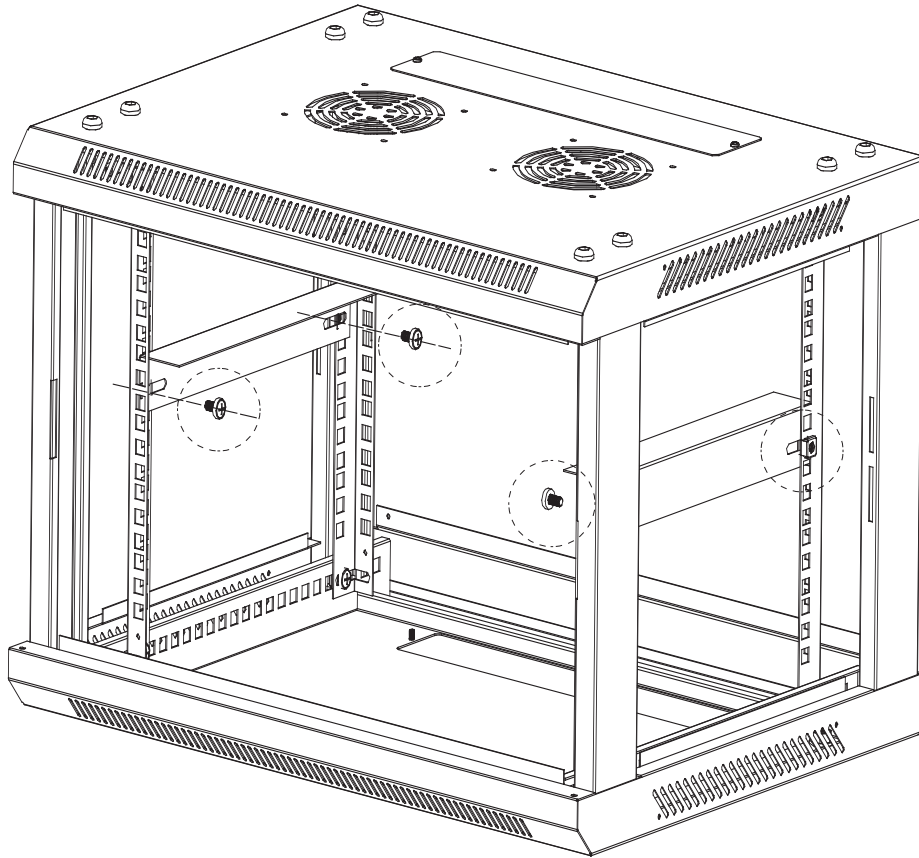
- Install the Vertical Mounting Rails (#10) to the Horizontal Beams at the desired depth using the Cage Nut Kit provided (Bag A). When determining the appropriate depth, be sure to consider the equipment that you plan to mount inside the enclosure. (This may include the provided L Brackets).



Note: Be sure that the rail depth is the same on both sides of the cabinet. Pay attention to the numerical unit markings on the rails to be sure they are right side up.

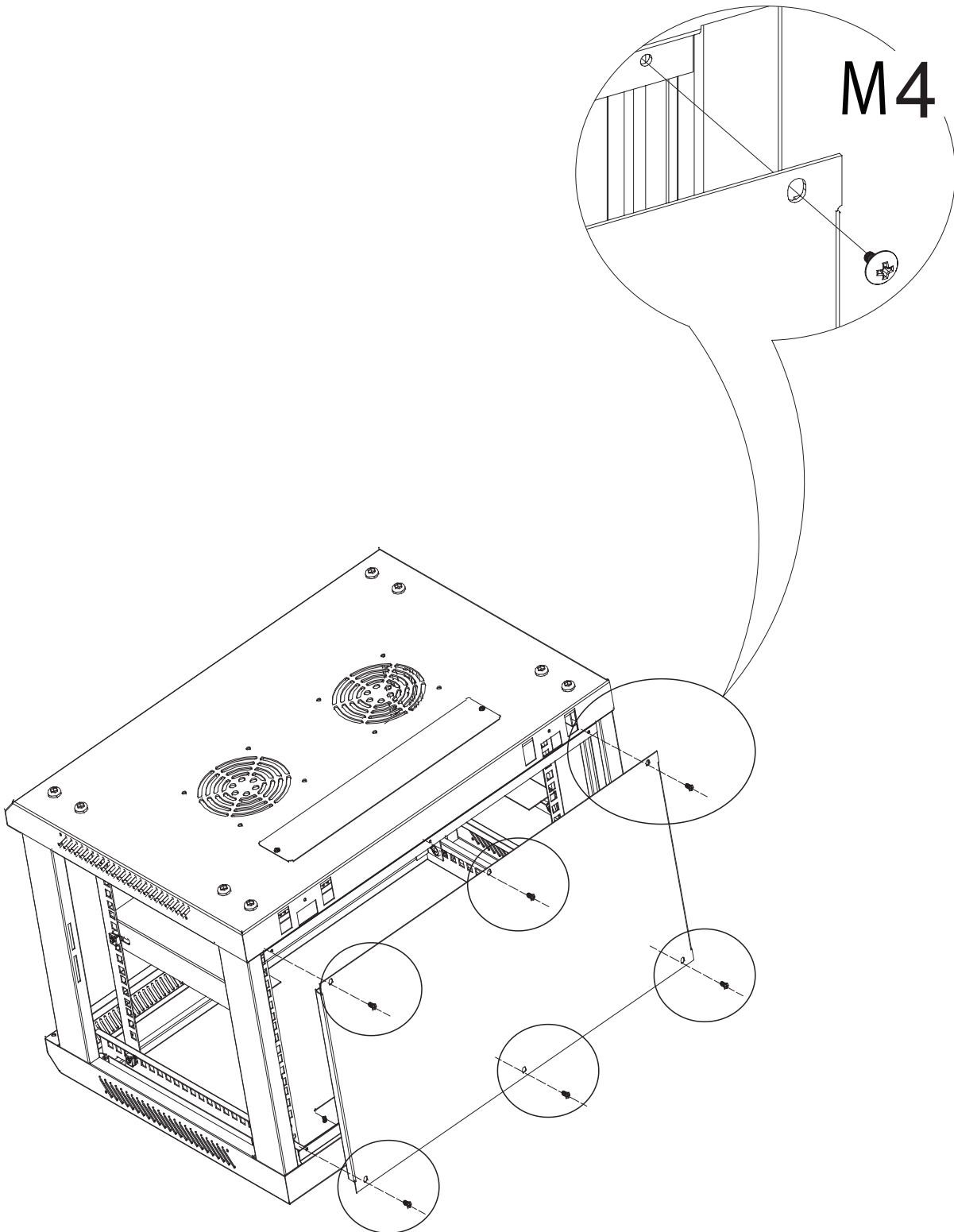
Step 4 – Install L Type Mounting Brackets (Optional)

- Mount the provided L Type Mounting Brackets (#7) to the Vertical Mounting Rails on each side of the cabinet using the cage nut kits provided (Bag A)



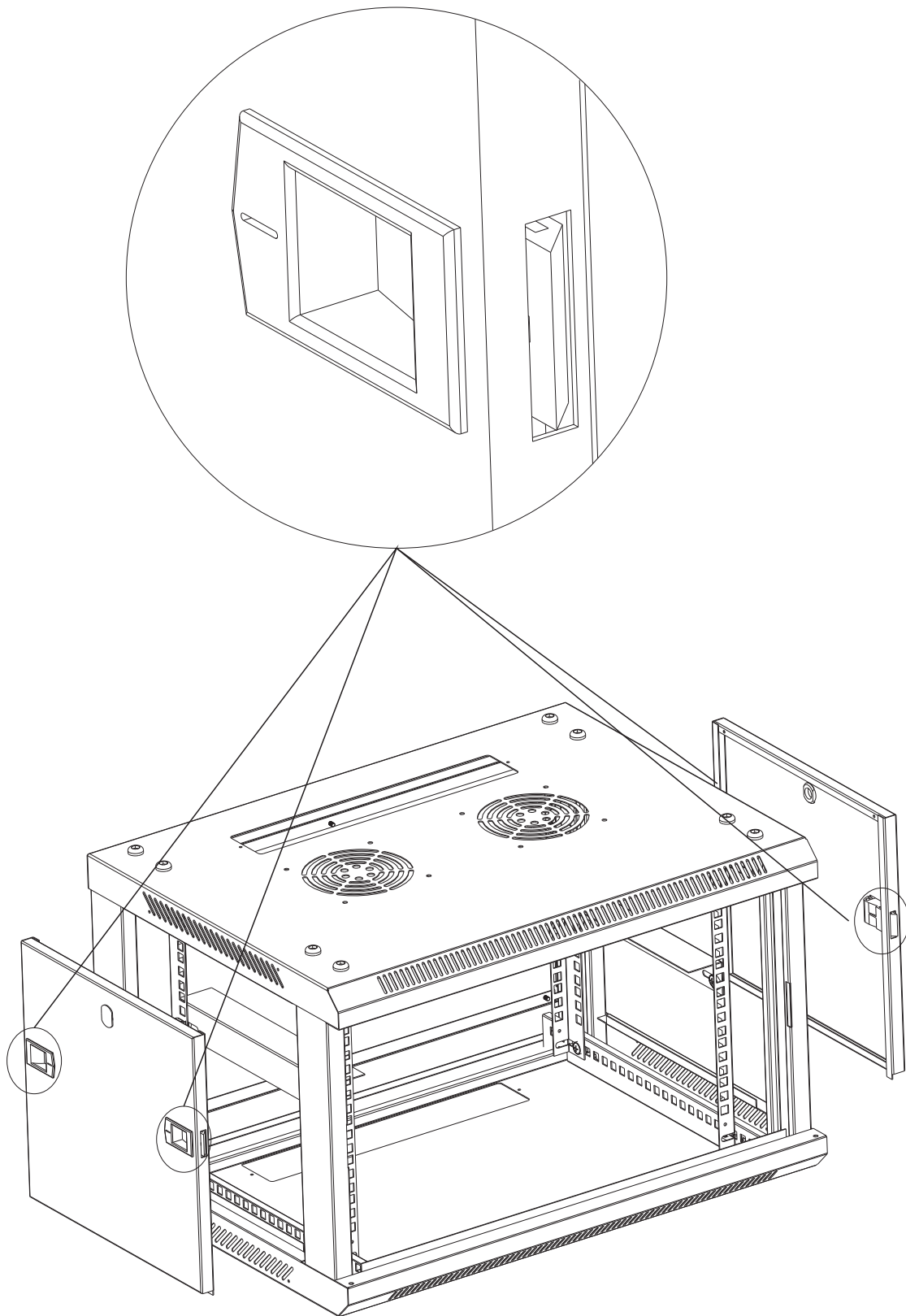
Step 5 – Attach the Back Panel

- Attach the Back Panel (#8) to the assembly using the M4 Screws (Bag C) (6 pcs) provided.



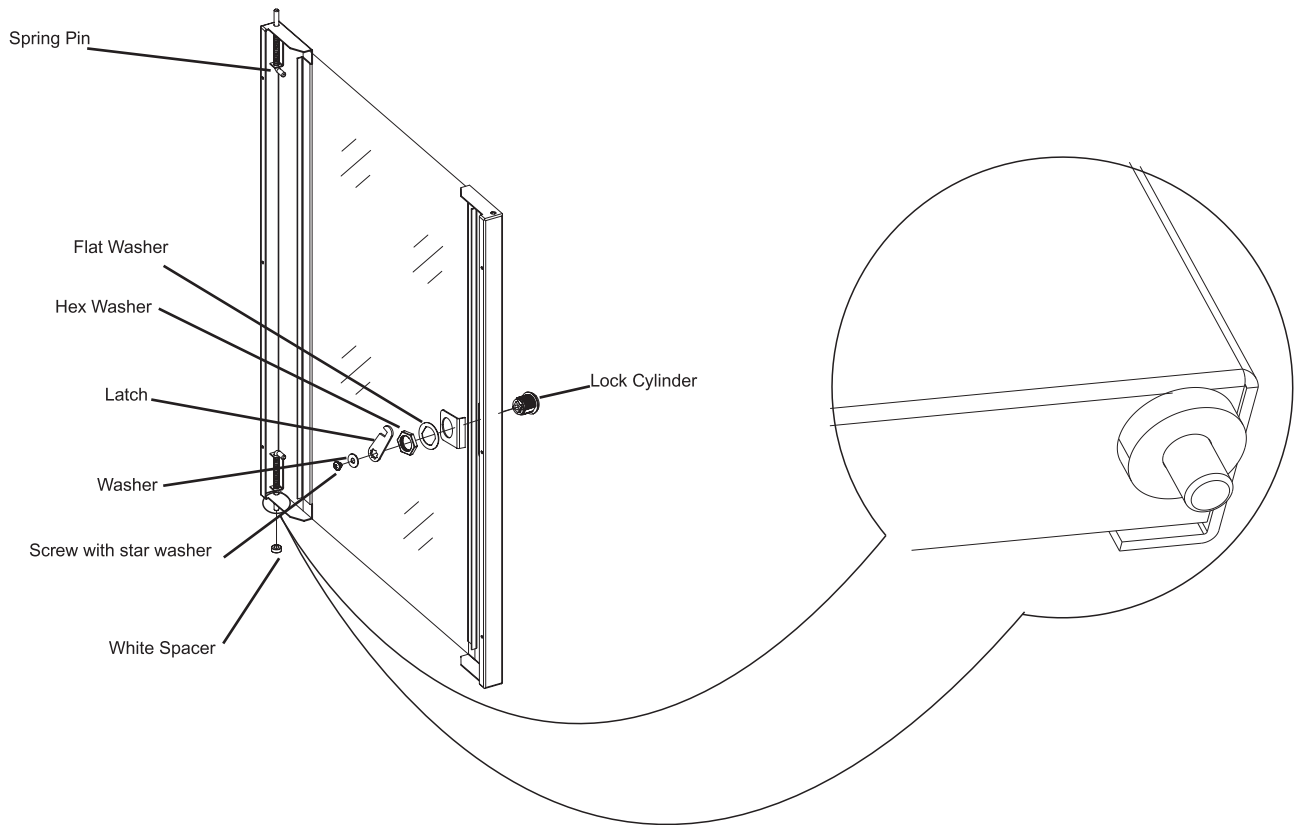
Step 6 – Side Panels

- Click the Side Panels (#5) into place using the plastic tabs on either side.

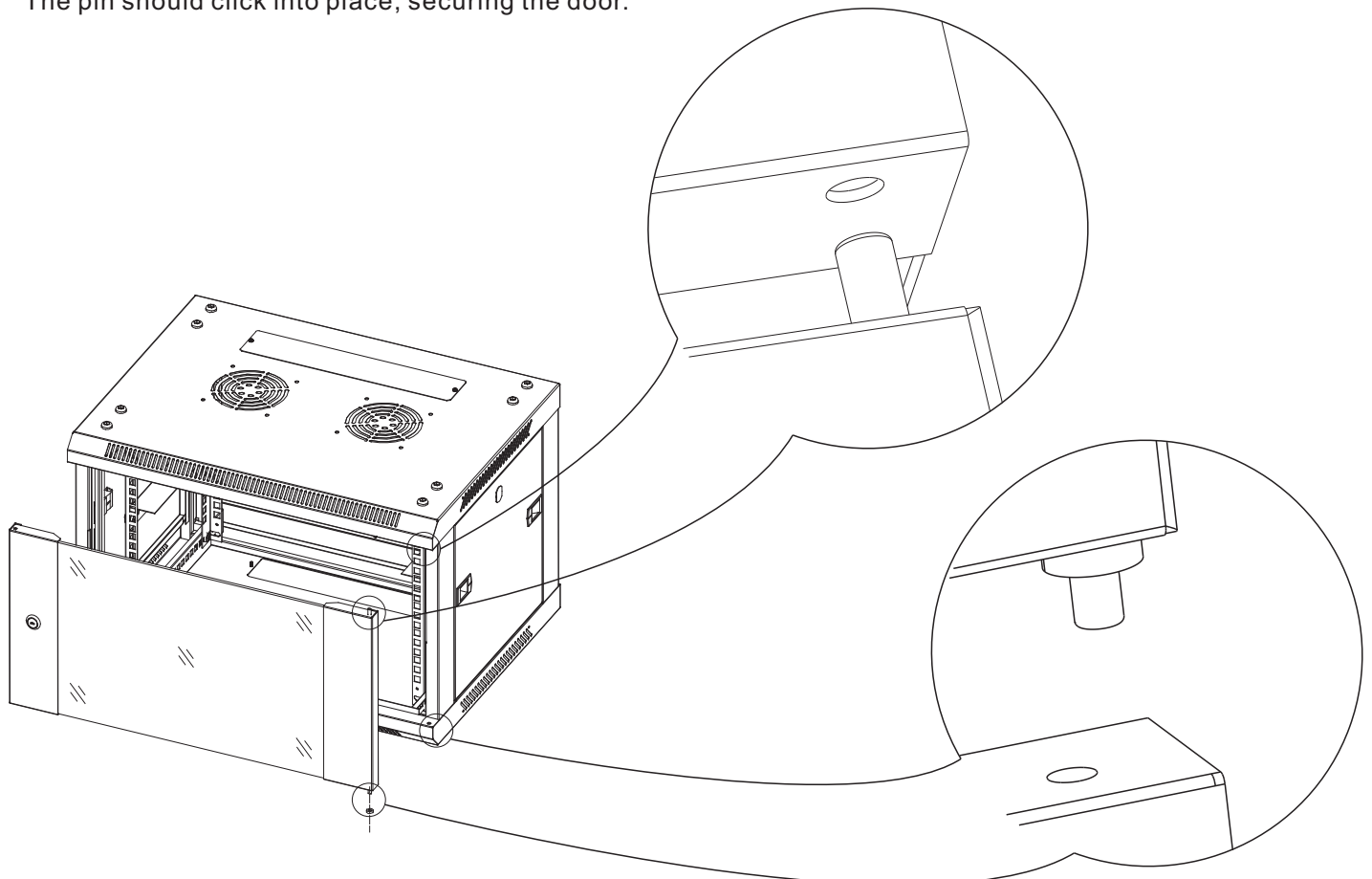


Step 7 – Assemble the front lock and attach the Door

- Assemble the front door lock as shown in the picture below:



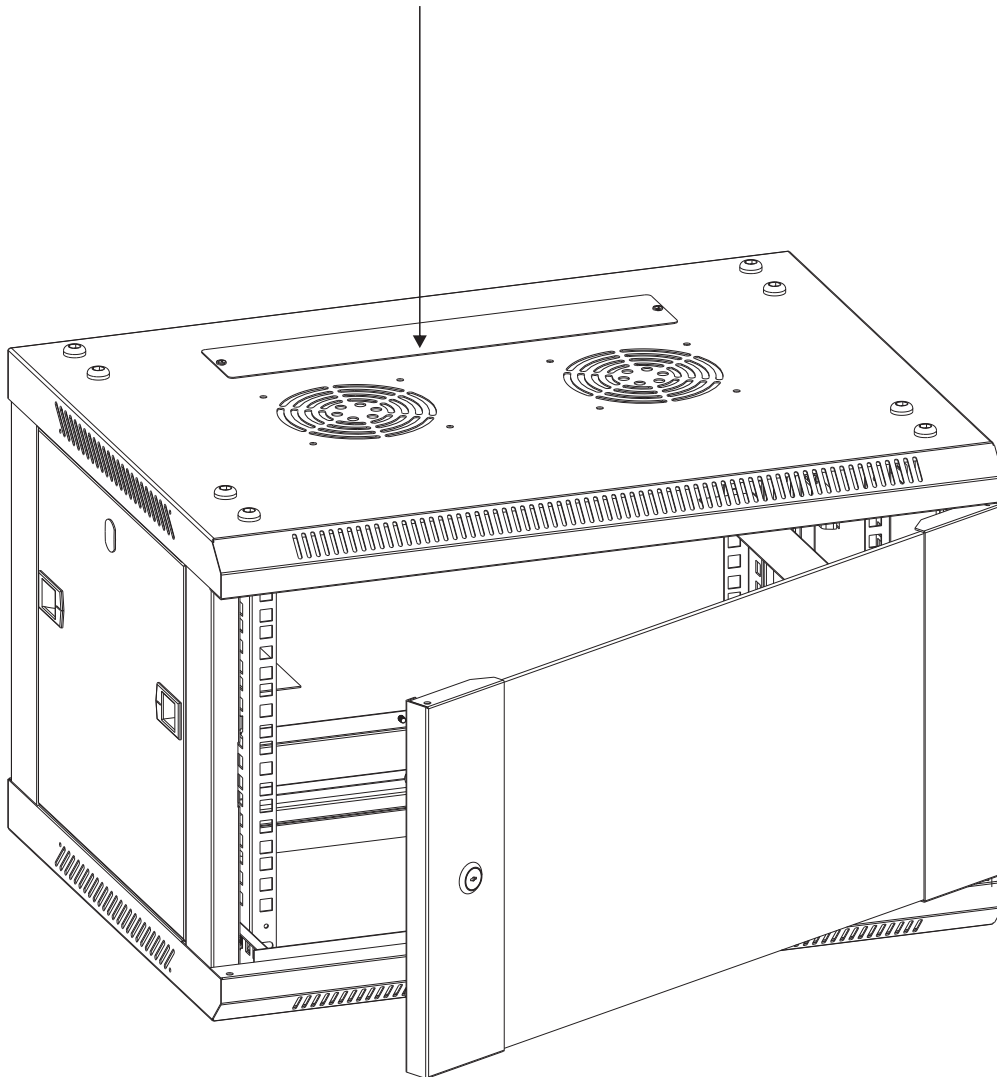
To install the Tempered Glass Door (#4), locate the side with two pins. Insert the fixed pin into door hinge hole. With your thumb, pull down on the spring pin and slide it into place over second door hinge hole and release. The pin should click into place, securing the door.



Step 8 – Install Cable Management Covers (optional)

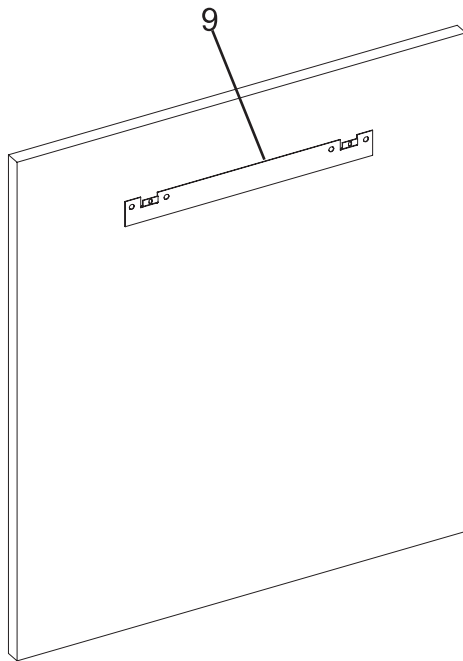
- Attach the top and Bottom Cable Management Panels using the M4 Screws (BagC 2 pcs each) provided.

Cable Management Covers

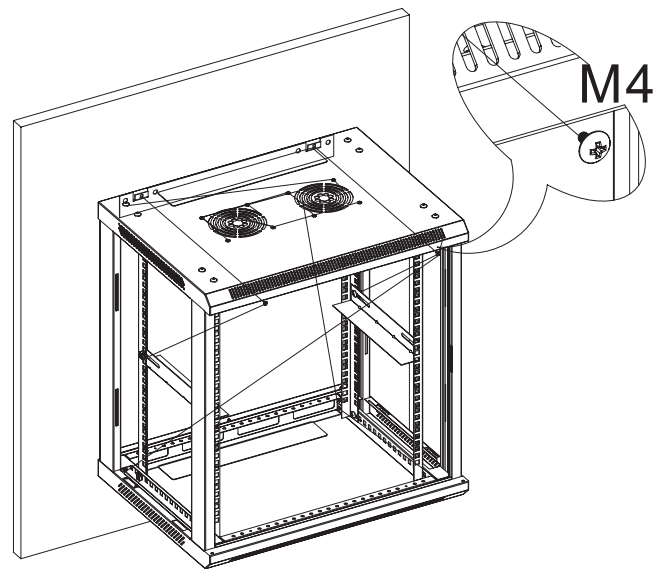


Step 9 – Mounting Bracket

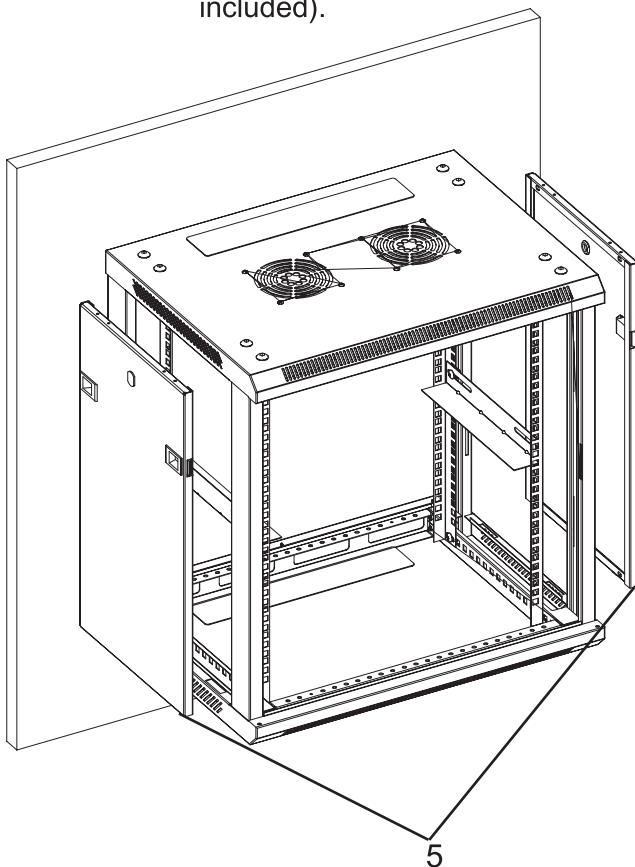
Mounting Instructions



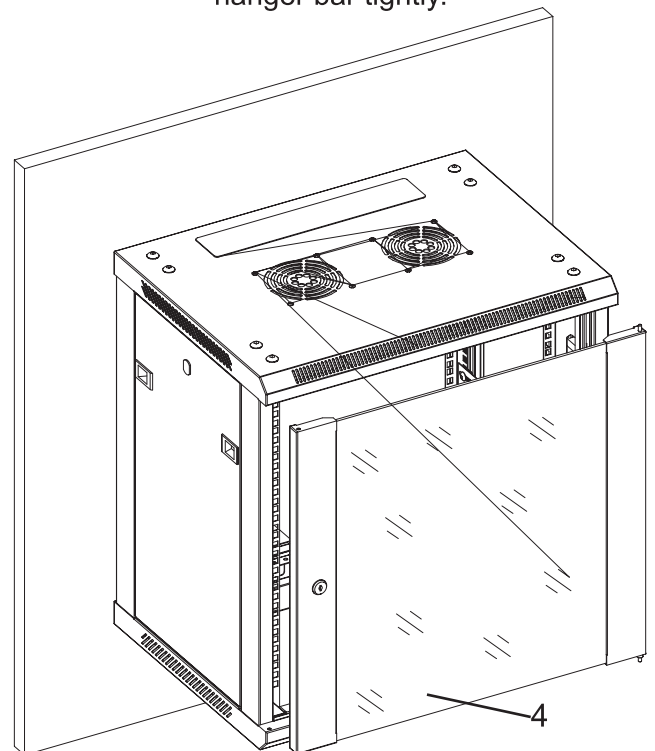
- 1** Secure Hanger Bar (9) to wall with anchors and screws (not included).



- 2** Lift the cabinet up and slide onto Hanger Bar (9) hooks. Take two M4 screws (Bag C) and secure the cabinet to the hanger bar tightly.



- 3** Click Side Panels (5) into



- 4** To install the Tempered Glass Door (4), locate the side with two pins. Insert the fixed pin into door hinge hole. With your thumb, pull down on the spring pin and slide it into place over second door hinge hole and release. The pin should click into place, securing the door.

Step 10 – Install Casters - (Optional and only compatible and included with 15, 18 and 22U versions of the Performance Series Cabinets)

- Attach Casters (Bag F) with M6 screws (Bag G) to bottom of the cabinet.

