



IMPORTANT FOR FUTURE REFERENCE	
Please complete this information and retain this manual for the life of the equipment:	
Model #:	_____
Serial #:	_____
Date Purchased:	_____

Installation & Operation Manual

Direct Steam Counter Tilting Kettles KDCT-6, KDCT-10, KDCT-12 and KDCT-20



Model KDCT-6

WARNING

Improper installation, adjustment, alteration, service or maintenance can cause property damage, injury or death. Read the installation, operating and maintenance instructions thoroughly before installing or servicing this equipment.

SOUTHBEND STEAM

 **MIDDLEBY** A Middleby Company

1100 Old Honeycutt Road Fuquay-Varina, North Carolina 27526 USA

www.southbendnc.com



SAFETY PRECAUTIONS

Before installing and operating this equipment, be sure everyone involved in its operation is fully trained and aware of precautions. Accidents and problems can be caused by failure to follow fundamental rules and precautions.

The following symbols, found throughout this manual, alert you to potentially dangerous conditions to the operator, service personnel, or to the equipment.

 **DANGER**

This symbol warns of immediate hazards that will result in severe injury or death.

 **WARNING**

This symbol refers to a potential hazard or unsafe practice that could result in injury or death.

 **CAUTION**

This symbol refers to a potential hazard or unsafe practice that could result in injury, product damage, or property damage.

NOTICE

This symbol refers to information that needs special attention or must be fully understood, even though not dangerous.

IMPORTANT NOTES FOR INSTALLATION AND OPERATION

 **WARNING**

This is the safety alert symbol. It is used to alert you to potential personal injury hazards. Obey all safety messages that follow this symbol to avoid possible injury or death.

 **WARNING**

Improper installation, operation, adjustment, alteration, service or maintenance can cause property damage, injury or death. Read the installation, operating and maintenance instructions thoroughly before installing, operating or servicing this equipment.

 **WARNING**

FOR YOUR SAFETY:

Do not store or use gasoline or other flammable vapors or liquids in the vicinity of this or any other appliance.

NOTICE

Keep the appliance area free and clear from combustibles.
Do not obstruct the flow of combustion and ventilation air.
Adequate clearances must be maintained for servicing and proper operation.

NOTICE

Do not attempt to operate this unit in the event of a power failure.

NOTICE

Contact the factory, the factory representative or local service company to perform maintenance and repairs.

NOTICE

This product is intended for commercial use only. NOT FOR HOUSEHOLD USE.

NOTICE

This manual should be retained for future reference.

It is recommended that this manual be read thoroughly and that all instructions be followed carefully.

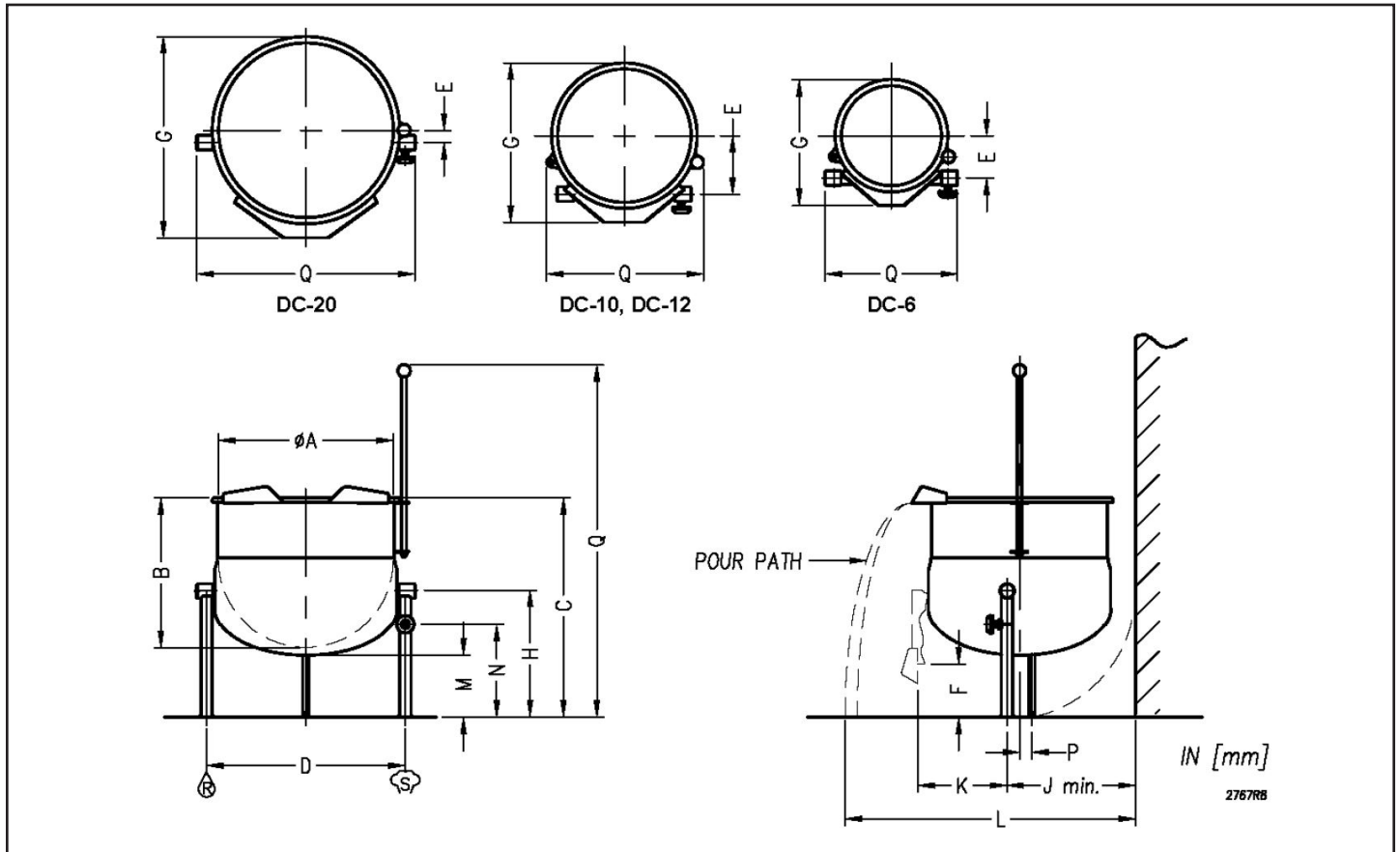
Copyright © 2022 by Southbend Steam. All rights reserved. Published in the United States of America.

RETAIN THIS MANUAL FOR FUTURE REFERENCE.

Table of Contents

Safety.....	2
Service Connections	4
Introduction	5
Installation.....	6
Operation	7
Cleaning.....	8
Preventive Maintenance	9

SERVICE CONNECTIONS



SERVICE CONNECTIONS

– STEAM SUPPLY: 1/2" IPS (13 mm) 5-45 PSI (34-310 kPa) [Pressure reducing valve is required if incoming pressure exceeds 50 PSI (345 kPa)]

- CONDENSATE RETURN: 1/2" IPS (13 mm)

DIMENSIONS

MODEL	CAPACITY	A	B	C	D	E	F	G	H	J	K	L	M	N	O	P	Q
KDCT-6	6 gallons (23 liters)	12" (305)	14.5" (368)	19.5" (495)	13.75" (349)	5" (127)	7.5" (191)	15.12" (384)	8.5" (216)	12.25" (311)	10.38" (264)	30.25" (768)	4" (102)	4.38" (111)	34.12" (867)	0" 0 mm	16" (406)
KDCT-10	10 gallons (38 liters)	16" (406)	15" (381)	18.5" (470)	13.75" (349)	7" (178)	7.75" (197)	19.12" (486)	9" (229)	16.25" (413)	8.88" (225)	32.25" (819)	2.38" (60)	4.88" (124)	33.12" (841)	0" 0 mm	19.25" (489)
KDCT-12	12 gallons (46 liters)	16" (406)	17" (432)	20.5" (521)	13.75" (349)	7" (178)	7.75" (197)	19.12" (486)	9" (229)	16.25" (413)	10.88" (276)	39.5" (1003)	2.38" (60)	4.88" (124)	35.12" (892)	0" 0 mm	19.25" (489)
KDCT-20	20 gallons (76 liters)	21" (533)	18" (457)	24.0" (673)	23.5" (597)	1.5" (38)	3.75" (95.5)	24.12" (613)	12.75" (324)	15.75" (400)	10.5" (267)	40.5" (1029)	5.0" (127)	4.88" (124)	39.88" (1013)	1.5" (38)	23.5" (597)

SPECIFICATIONS

MODEL	SHIPPING WEIGHT	MINIMUM CLEARANCE	
KDCT-6	44 lbs. [20 kg]	SIDES BACK	1" [25mm] 3" [76mm]
KDCT-10	61 lbs. [28 kg]		
KDCT-12	70 lbs. [32 kg]		
KDCT-20	95 lbs. [43 kg]		

As continued product improvement is a policy of Southbend Steam, specifications are subject to change without notice.

INTRODUCTION

DESCRIPTION

All direct connected steam jacketed kettles pertaining to this manual are direct steam operated pressure vessels of a double-wall stainless steel construction forming a steam chamber (jacket) enveloping the lower two thirds of the kettle bowl surface. All kettles are tilting and counter top mounted in fixed positions on legs.

CAPACITIES

All models are suffixed with either -6, -10, 12 or -20 to indicate the capacity of that kettle in US gallons.

FUNCTIONING MODE

Direct connected steam jacketed kettles consist of a stainless steel bowl and a stainless steel jacket which envelopes two thirds of the lower surface of the bowl thus forming a sealed pressure vessel (chamber) into which steam is introduced by means of a manual control valve located in the right leg.

The kettle bowl is the container for the food product which ideally should be of a liquid or semi-liquid consistency to achieve complete contact with the bowl surface and thus fully absorb the heat transmitted through that surface.

The temperatures required for the cooking process to function adequately must be greater than the boiling point of the liquid food product, viz. water. Further, the greater the steam pressure used, the higher the temperature and consequently the quicker the cooking process. For example, steam pressurized at 30 psi attains a temperature of 274 degrees Fahrenheit (135 degrees Celsius).

In the initial stages of the cooking process when the steam comes in contact with the cold kettle bowl surface it condenses and forms considerable amounts of water. A thermostatic steam trap should be plumbed to the exit end of the kettle jacket. This trap is a mechanical device that closes on high temperatures and opens when the temperature drops thus allowing the water formed from condensate to exhaust but retain steam under pressure.

INSTALLATION

UNPACKING

IMMEDIATELY INSPECT FOR SHIPPING DAMAGE

Immediately after unpacking the steamer, check for possible shipping damage. If the steamer is found to be damaged, save the packaging material and contact the carrier within 15 days of delivery.

INSTALLATION INSTRUCTIONS

1. These kettles must be installed on a suitable table or counter top.
2. On counter top make 7/8" holes at 13 - 3/4" centers for kettle legs on models KDCT-6, KDCT-10, and KDCT-12, 23-1/2" centers on Model KDCT-20. Provide sufficient space from rear wall to allow for tilting of kettle.
3. From bottom of leg remove mounting lockouts and washers. Apply Silastic to flared edge of leg. Insert threaded portion of legs through holes. Replace washers and locknuts and tighten. Wipe off excess sealant.
4. Install a safety relief valve in the steam line set at the maximum operating pressure of the kettle.

NOTICE

One valve will handle a series of kettles.

5. Connect steam supply line (1/2" pipe size) to steam inlet fitting on right leg.
6. Install a steam shutoff valve in steam supply line, preferably near the kettle for convenience.
7. A pressure reducing valve will be required if the steam supply pressure is greater than the maximum kettle working pressure.
8. If large amounts of water are in the steam line it will be necessary to install one or more ball float traps in the line to eliminate the water.
9. A steam line pressure gauge is also recommended to determine the actual amount of steam coming to the kettle.
10. Install a suitable steam trap in condensate line (left leg) near the kettle and run condensate return line to drain. If the condensate return line will be directed to the boiler, then it must have a check valve and gate shutoff valve near the kettle.

OPERATION

WARNING

The kettle and its parts are hot.
Use care when operating, cleaning and servicing the appliance.

OPERATING INSTRUCTIONS

1. Fill kettle with product to desired level.
2. Slowly turn the steam control valve ON to full open position.
3. The water or food should boil 3 - 4 minutes per gallon. If it does not, then incoming pressure should be checked to determine that it is adequate to operate the kettle efficiently.
4. Regulate steam control valve depending on type of food being prepared.
5. When food is cooked, turn off steam, remove food and clean kettle immediately to prevent residue from drying on kettle bowl surface.

CLEANING

 **WARNING**

Disconnect the power supply to the appliance before cleaning or servicing.

 **WARNING**

Never spray water into electric controls or components!

 **CAUTION**

The equipment and its parts are hot. Use care when operating, cleaning and servicing.

 **CAUTION**

Do not use cleaning agents that are corrosive.

CLEANING PROCEDURES

Your kettle should be cleaned immediately after each use.

1. Ensure that steam supply is OFF.
2. Pre-rinse inside of kettle thoroughly and tilt to remove any food particles.
3. Using a nylon brush, clean kettle with a mild detergent and warm water rinse. Never use steel wool or scouring powder as it will scratch stainless steel.
4. Tilt kettle and rinse thoroughly draining out detergent solution.

Use of cleaning agents that contain chloride, acids or salts are corrosive and may cause pitting and corrosion when used over a period of time; this will reduce the life of the appliance.

Should pitting or corrosion occur this is not covered by warranty.

Follow the recommended cleaning instructions. Use a mild detergent, warm water and rinse thoroughly.

PREVENTIVE MAINTENANCE

GENERAL MAINTENANCE

No general maintenance is required other than adhering to the Cleaning Procedure Instructions.

SAFETY VALVE MAINTENANCE AND TESTING

CAUTION

Under normal operating conditions a “try lever test” should be performed every two months. Under severe service conditions, or if corrosion and/or deposits are noticed within the valve body, testing must be performed more often. A “try lever test” should also be performed at the end of any non-service period.

CAUTION

Hot, high pressure fluid may be discharged from body drain and vent during “try lever” test. Care must be taken to avoid any bodily contact.

CAUTION

High sound levels may be experienced during “try lever” test. Wear proper safety equipment and exercise extreme care! Test at, or near, half of the operating pressure by holding the test lever fully open for at least two seconds to flush the valve seat free of sediment and debris. Then release lever and permit the valve to snap shut.

If lift lever does not activate, or there is no evidence of discharge, turn off equipment immediately and contact a licensed contractor or qualified service personnel.

NOTES

NOTES


KDCT-6, KDCT-10, KDCT-12 and KDCT-20

DIRECT STEAM COUNTER TILTING KETTLES



A product with the Southbend Steam name incorporates the best in durability and low maintenance. We all recognize, however, that replacement parts and occasional professional service may be necessary to extend the useful life of this appliance. When service is needed, contact a Southbend Steam Authorized Service Agency, or your dealer. To avoid confusion, always refer to the model number, serial number, and type of your appliance.



SOUTHBEND STEAM
 **MIDDLEBY** A Middleby Company
1100 Old Honeycutt Road Fuquay-Varina, North Carolina 27526 USA
www.southbendnc.com