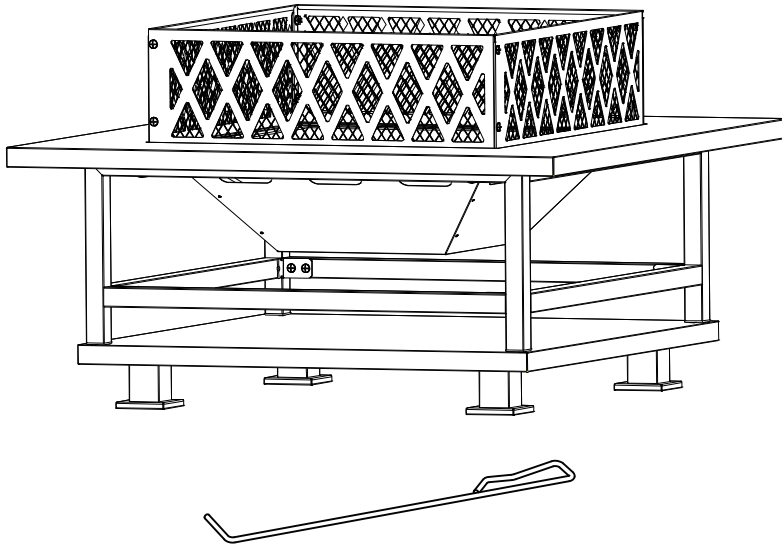


36" Wood Fire Pit With Storage

Sku# 2595244

Item# 52286



! WARNING

Do not store or use gasoline or other flammable vapors and liquids in the vicinity of this or any other appliance.

! WARNING

For outdoor use only.

! WARNING

Improper installation, adjustment, alteration, service or maintenance can cause property damage, personal injury or loss of life. Refer to the owner's information manual provided with this appliance. Installation and service must be performed by a qualified installer, service agency, or the gas supplier.

INSTALLER: Leave this manual with the appliance.

CONSUMER: Retain this manual for future reference.

! DANGER



CARBON MONOXIDE HAZARD


This appliance can produce carbon monoxide which has no odor. Using it in an enclosed space can kill you. Never use this appliance in an enclosed space such as a camper, tent, car or home.

SAFETY INFORMATION

Before you assemble or operate this unit, please carefully read this entire manual. Failure to do so may result in a fire, explosion, injury or death.

WARNING

- FOR OUTDOOR USE ONLY! This fire pit shall be used only outdoors in a well-ventilated space and shall not be used in a building, garage, or any other enclosed area.
- DO NOT add gasoline, kerosene, diesel fuel, lighter fluid or alcohol to relight or enhance flame. Excessive heat may damage the integrity of the structure. The ONLY method of lighting used should be a match or lighter. Do not use any flammable fuels.
- Never use charcoal or any other solid fuel in the fire pit.
- DO NOT use the unit indoors due to hazard of carbon monoxide fumes. Lack of ventilation can cause death.
- This fire pit was designed for burning untreated wood ONLY. Do not use with chemically treated fire logs.
- DO NOT pour water into fire pit when it is burning; this will cause rusting.
- Check the local bylaws before using the fire pit.
- Never leave a lighted fire pit unattended.
- DO NOT use under any unprotected combustible structure. Keep combustible surfaces at least 48 inches away from all sides of the fire pit.
- Protective gloves and long-handled tools are recommended for use with this fire pit.
- Dispose of packing materials properly.
- DO NOT use fire pit on wooden decks or on other combustible surface.
- Keep children away from hot fire pit.
- Fire pit will remain very hot for a period of time after using.
- Be sure fire pit is cooled before moving.
- Use with extreme care and at your own risk.
- This fire pit must be attended at all times!
- Do not operate fire pit unless it is completely assembled and all parts are in place.
- Pay attention when operating the fire pit. It is hot when in use and should never be left unattended. Do not move it while in operation.
- Do not use this fire pit for cooking.
- Do not put any other fire pit cover or anything flammable on, beneath or around the fire pit.
- Never place clothing or other flammable materials on or near the fire pit.
- Users should be alerted to the hazards of high surface temperatures and keep a safe distance to avoid burning or clothing ignition.
- Never lean over the open fire pit or place hands or fingers on the upper portion of an operational unit.

 **WARNING** : This product can expose you to carbon monoxide, which is a combustion by product known to the State of California to cause birth defects and other reproductive harm. For more information go to www.P65Warnings.ca.gov.

SAFETY INFORMATION

- Combustible materials should never be within 48 inches of the top, back or sides of the fire pit.
- Do not handle the fire pit until it is completely cooled.
- This heating appliance should not be used on plastic or artificial wood decks.
- **Children should never operate this unit. Children must be supervised while near this unit.**
- **Children and adults should be alerted to the hazards of high surface temperatures and should stay away to avoid burns or clothing ignition.**
- **Young children should be carefully supervised when they are in the area of the fire pit.**
- **Clothing or other flammable materials should not be hung from the fire pit or placed on or near the fire pit.**
- **Any guard or other protective device removed for servicing the fire pit shall be replaced prior to operating the fire pit.**
- Maximum safe fuel capacity: 10 lbs.

HARDWARE



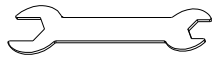
AA



BB



CC



DD

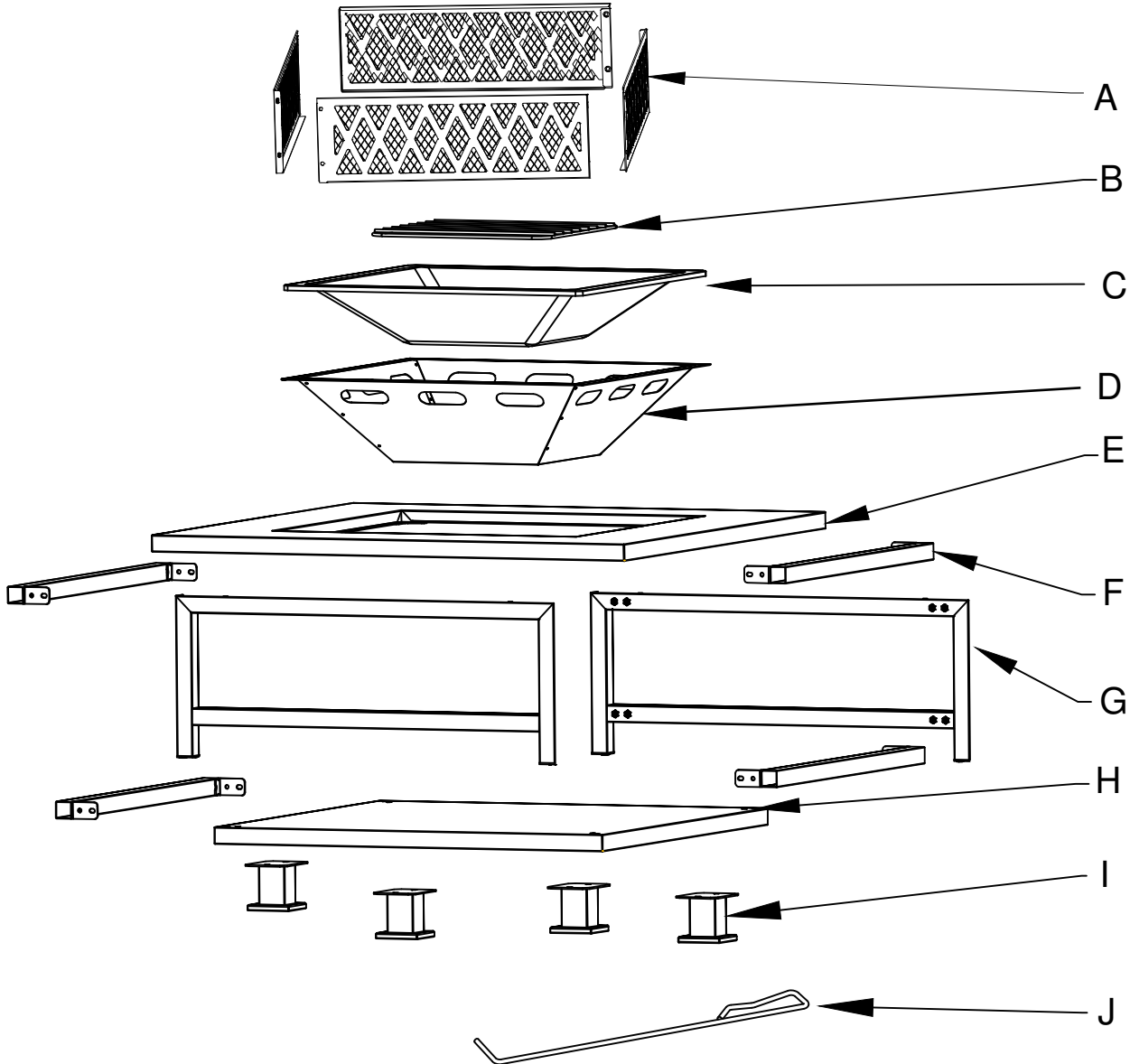
Item	Description	Qty
AA	M6x12 Screw	40
BB	M6x40 Screw	4
CC	M6 Nut	8
DD	Wrench	1

Before beginning assembly of product, make sure all parts are present. Compare parts with package contents list and hardware contents list. If any part appears missing or damaged, don't use this product and call customer service immediately.

Estimated assembly time: 20 minutes

Tools Required for Assembly: Wrench (included) and Phillips Screwdriver (Not Included)

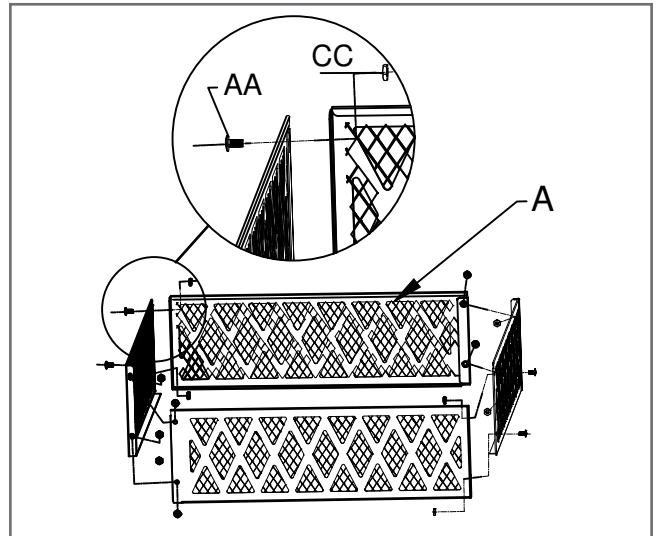
CONTENTS



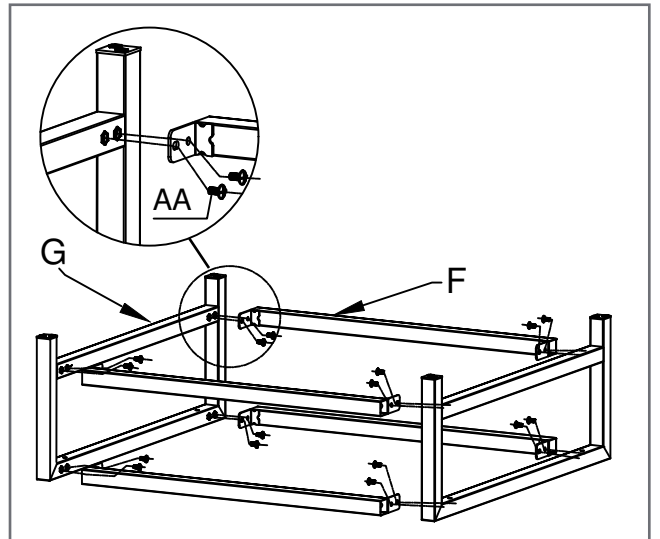
Item	Description	Qty
A	Mesh Panel	4
B	Log Rack	1
C	Fire Bowl	1
D	Heat Shield	1
E	Table Top	1
F	Connecting Rod	4
G	Support Frame	2
H	Bottom Panel	1
I	Feet	4
J	Fire Poker	1

ASSEMBLY INSTRUCTIONS

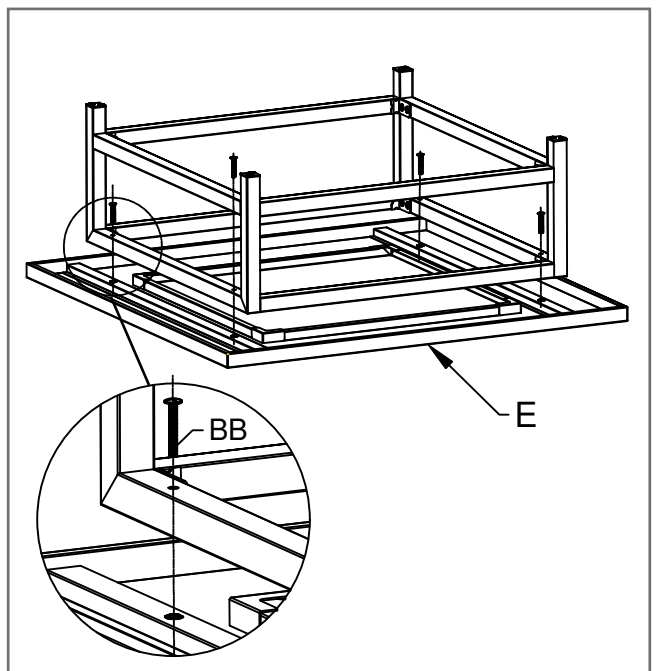
1. Attach 4 pcs mesh panels (A) together using 8 pcs M6x12 screws (AA) and 8 pcs M6 nuts (CC).



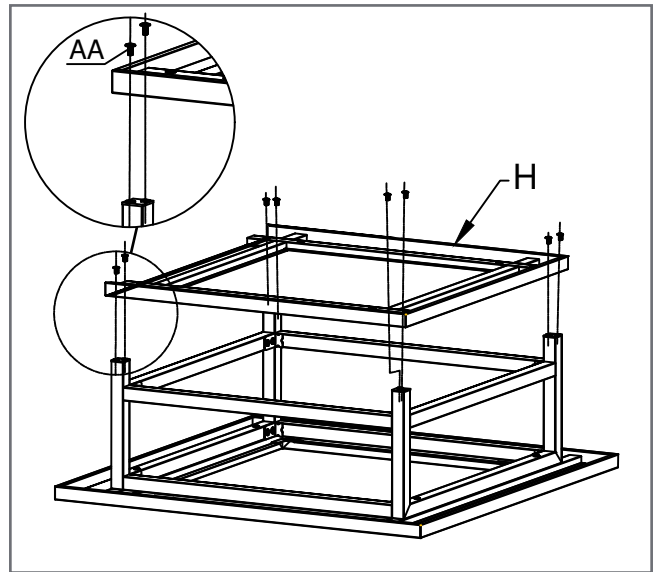
2. Attach 4 pcs connecting rods (F) to 2 pcs support frames (G) using 16 pcs M6x12 screws (AA).



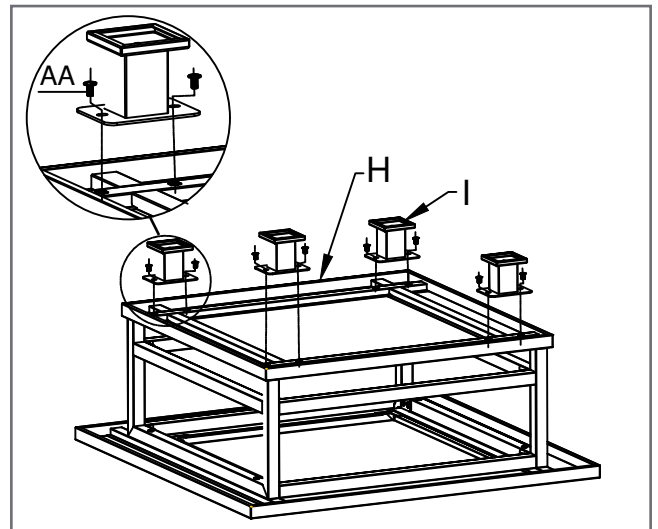
3. Attach support frame assembly to table top (E) using 4 pcs M6 x 40 screws (BB).



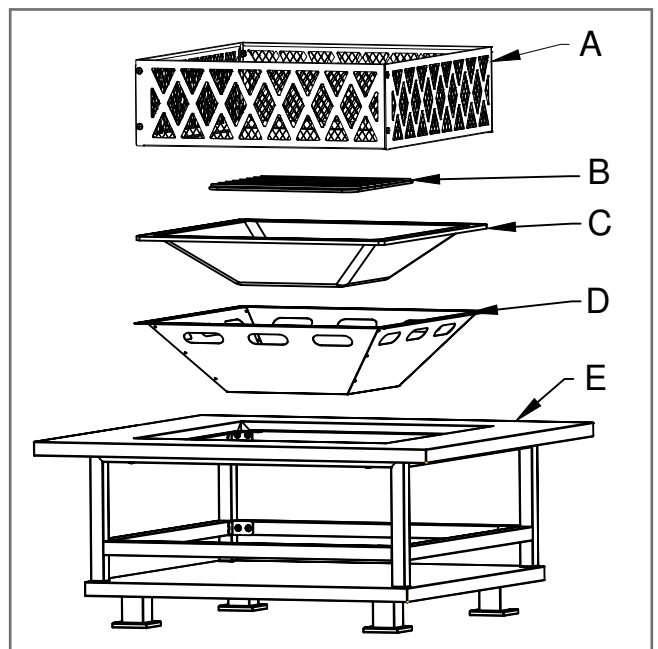
4. Attach bottom panel (H) to support frame assembly using 8 pcs M6x12 screws (AA).



5. Attach 4 pcs feet (I) to bottom panel (H) using 8 pcs M6 x12 screws (AA).



6. Place heat shield (D) into table top (E) and place fire bowl (C) onto heat shield (D) and place log rack (B) into fire bowl (C), then place mesh panel assembly (A) on table top (E).



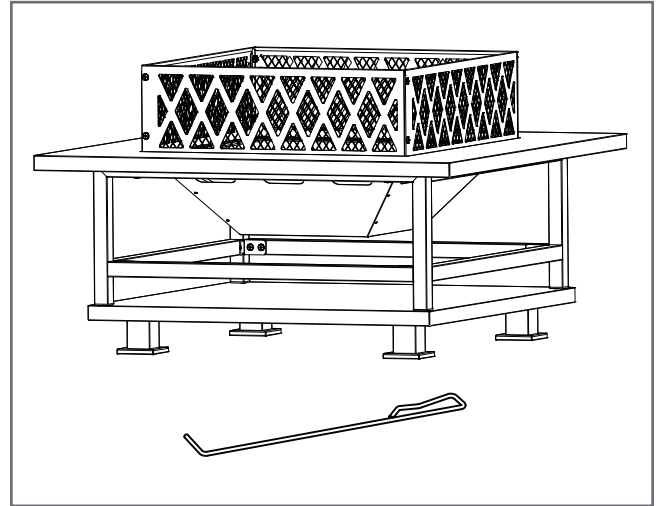
7. Your fire pit is now ready for use. Keep poker near the fire pit for use anytime.

Important Notice:

Please purchase a protective cover or use a waterproof tarp to keep unit covered when cooled, and not in use.

To avoid rainwater collecting in the fire bowl, please wipe out the fire bowl and store it upside down when not in use.

This will extend the longevity of your fire pit, and retard rusting.



OPERATION

To Light

1. Make sure all debris is removed from the fire pit.
2. Place dry logs that are no longer than 3/4 the width of the fire bowl into the center of the fire bowl.
Add dry kindling of your choice to the base of your wood stack.
3. Use a long match to light the kindling.

Tending The Fire

1. Use the fire poker to shift embers/wood logs to allow for additional airflow.
2. Wait until the fire is going strong to add any additional wood. While adding wood, be careful not to smother the fire and leave plenty of room for oxygen between the logs.

To Extinguish

1. Allow fire to burn itself out.
2. Do not use water to put out your fire, it will cause damage to your fire pit.

MAINTENANCE

- This outdoor fire pit should be inspected on a regular basis to ensure product safety and long product life.
- Check handles to make sure they are secure.
- Check components for any signs of damage.
- Wipe exterior surfaces with a mild cleaning product and water.
- For stubborn surfaces use a citrus based degreaser and soft cloth.
- Rinse surfaces clean of any cleaning product with water after cleaning is complete.
- Remove built-up creosote from components with a chimney cleaning product.
- Store fire pit in a cool dry place.
- Use manufacturer-approved or supplied replacement parts and accessories only. Otherwise it may void the warranty of this product and result in a hazardous condition.
- Keep the fire pit free and clear from combustible materials and debris.

WARRANTY

This product has a one-year warranty against manufacturing defects in workmanship, or materials.

The manufacturer warranty will be voided by, and manufacturer disclaims any responsibility for, the following actions:

- Modification of the unit and/or components.
- Use of any component part not manufactured or approved by manufacturer.
- Use and installation other than what is listed in this manual.

Please contact the manufacturer for replacement parts.

CONTACT

If you have any questions or concerns, please contact manufacturer at the below resources:

Toll free phone	1-877-447-4768 Monday - Friday, 8:00 am - 4: 30 pm CST
Email	customerservice@ghpgroupinc.com
Website	www.ghpgroupinc.com

