



RANGE HOOD
MODEL NUMBER SERIES

FRHWM5503-30 | FRHWM5503-30BLK | FRHWM5503-30WHT
FRHWM5503-36 | FRHWM5503-36BLK | FRHWM5503-36WHT



CONFORMS TO UL STD.507
CERTIFIED TO CSA STD.C22.2 NO.60335-1 & 60335-2-31

INSTRUCTION MANUAL

Read these instructions carefully before using your appliance, and keep it carefully.
If you follow the instructions, your appliance will provide you with many years of good service.

Customer Care

Thank you for purchasing a Forno product. Please read the entire instruction manual before operating your new appliance for the first time. Whether you are an occasional user or an expert, it will be beneficial to familiarize yourself with the safety practices, features, operation and care recommendations of your appliance.

Both the model and serial number are listed inside the product. For warranty purposes, you will also need the date of purchase .

Record this information below for future reference.

Product Information

Model Number : _____

Serial Number :

Date of Purchase : _____

Purchase Address And Phone : _____

Service Information

Use these numbers in any correspondence or services calls concerning your product.

If you received a damaged product, immediately contact Forno.

To save time and money, before you call for serviced, check the troubleshooting guide. It listed the causes of minor operation problems that you can correct yourself.



“Need some quick help? Simply scan the qr code and get access to our fast support form. We’re always here to assist you with any questions or concerns you may have. So, don’t hesitate to reach out!”

Services in Canada and Untied States

Keep the instruction manual handy to answer your questions. If you don’t understand something or need more assistance, please visit our website for fast support. Please provide us your name, number, address,serial number of the product that troubleshooting, proof of purchase, and a short description of the issue. A customer service representative will contact you as soon as possible. All warranty work needs to be authorized by FORNO customer service. All our authorized service

providers are carefully selected and rigorously trained by us.

Before You Begin

INSTALLERS - Start Here

Safety Instructions are on pages 4 and 5 and Installation Instructions are on pages 9 to 16.

Please perform these steps:

1. Read the safety instructions.
2. Read all instructions in the Installation section of this manual BEFORE installing the range hood.
3. Remove all packing materials.
4. When finished, make sure to leave these instructions with the consumer.
5. Installation is to be done by a qualified technician only. However, the ultimate responsibility for proper installation falls to the owner.
6. Product failure due to improper installation is not covered under the Warranty.



CONSUMERS - Start Here

Safety Instructions are on pages 4 and 5 and Operating Instructions are on pages 17 and 18.

Please perform these steps:

1. Read the safety instructions.
2. Read all instructions in the manual BEFORE operating the range hood.
3. Remove all packing materials.
4. Installation is to be done by a qualified technician only. However, the ultimate responsibility for proper installation falls to the owner.
5. Product failure due to improper installation is not covered under the Warranty.

Table of Contents

Before You Begin.....	2
Table of Contents	3
Important Safety Information	4
Included Parts.....	6
Range Hood Dimensions	7
Specifications.....	7
Mounting Brackets.....	8
Installation.....	9
Step 1 - Read the Safety Instructions.....	9
Step 2 - Unpack Range Hood and Prepare Tools.....	9
Step 3 - Plan Desired Location	9
Step 4 - Test Unit Functions	9
Step 5 - Venting Installation Guidelines	10
Step 6 - Preparations	12
Step 7 - Installation Process.....	12
Step 8 - Plug-in.....	15
Step 9 - Install Oil Cup.....	16
Step 10 - Install Filters	16
Operation	17
Carbon Filter Life time Suggestion & Installation	19
Maintenance.....	20
Cleaning Filters	20
Cleaning Oil Cup.....	20
Replacing the Light	20
Troubleshooting.....	21
Use and Care Information	22



Important Safety Information

READ ALL INSTRUCTIONS BEFORE USE

Read and follow all instructions before using the range hood to prevent the risk of fire, electric shock, personal injury, or damage when using the range hood or appliances with the range hood. This guide does not cover all possible conditions that may occur. Always contact your service technician or manufacturer about problems that you do not understand.

- The installation in this manual is intended for qualified installers, service technicians or persons with a similar qualified background. Installation must be done by qualified professionals and in accordance with all applicable codes and standards, including fire-rated construction.
- The range hood may have very sharp edges; please wear protective gloves if it is necessary to remove any parts for installing, cleaning or servicing.
- Activating any switch to ON position before completing installation may cause damage or electric shock.
- Due to the size of this range hood, a two-person installation is recommended.

To reduce the risk of fire, electric shock, or injury to persons:

- For general ventilating use only. **DO NOT** use to exhaust hazardous or explosive materials and vapours.
- **WARNING:** To Reduce The Risk Of Fire Or Electric Shock, Do Not Use This Fan With Any Solid-State Speed Control Device.
- The combustion air flow needed for safe operation of fuel-burning equipment may be affected by this unit's operation. Follow the heating equipment manufacturer's guideline and safety standards such as those published by the National Fire Protection Association (NFPA), and the American Society of Heating, Refrigeration and Air Conditioning Engineers (ASHRAE), and other local code authorities.
- Before servicing or cleaning the unit, switch power off at service panel and lock the service

disconnecting means to prevent power from being switched on accidentally. When the service disconnecting means cannot be locked, securely fasten a prominent warning device, such as a tag, to the service panel.

- Clean grease-laden surfaces frequently. To optimize performance and to disperse air properly, make sure to vent air outside. **DO NOT** vent exhaust into spaces between walls, crawl spaces, ceilings, attics or garages.
- Ducted fans **MUST** always be vented to the outdoors.
- This unit **MUST** be grounded and used with metal ductwork only.
- Sufficient air is needed for proper combustion and exhausting of gases through the duct to prevent back drafting.
- When cutting or drilling into wall or ceiling, be careful not to damage electrical wiring or other hidden utilities.
- All electrical wiring must be properly installed, insulated and grounded.
- Old ductwork should be cleaned or replaced if necessary to avoid the possibility of a grease fire.
- Check all joints on ductwork to ensure proper connection; all joints should be properly taped using a certified aluminum or foil tape.
- Use this unit only in the manner intended by the manufacturer. If you have questions, contact the vendor.

READ AND SAVE THESE INSTRUCTIONS

Important Safety Information

WARNING: TO REDUCE RISK OF A RANGE TOP GREASE FIRE:

- a) Never leave surface units unattended at high settings. Boilovers cause smoking and greasy spillovers that may ignite. Heat oils slowly on low or medium settings.
- b) Always turn range hood ON when cooking at high heat or when flambéing food (i.e. Crepes Suzette, Cherries Jubilee, etc.).
- c) Clean ventilating fans frequently. Grease should not be allowed to accumulate on fan or filter. Before servicing or cleaning unit, unplug and disconnect the hood from the power supply.
- d) Use proper pan size. Always use cookware appropriate for the size of the surface element.

READ AND SAVE THESE INSTRUCTIONS

WARNING: TO REDUCE RISK OF INJURY TO PERSONS IN THE EVENT OF A RANGE TOP GREASE FIRE, OBSERVE THE FOLLOWING *

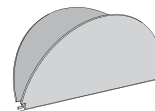
- a) SMOTHER FLAMES with a close-fitting lid, cookie sheet, or metal tray, then turn off the burner. BE CAREFUL TO PREVENT BURNS. If the flames do not go out immediately, EVACUATE AND CALL THE FIRE DEPARTMENT.
- b) NEVER PICK UP A FLAMING PAN - You may be burned.
- c) DO NOT USE WATER, including wet dishcloths or towels - a violent steam explosion will result.
- d) Use an extinguisher ONLY if:
 - 1) You know you have a Class A, B, C extinguisher, and you already know how to operate it.
 - 2) The fire is small and contained in the area where it is started.
 - 3) The fire department is being called.
 - 4) You can fight the fire with your back to an exit.

* Based on "Kitchen Fire Safety Tips" published by NFPA

Included Parts



Main Unit



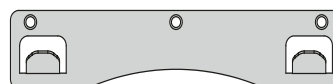
Damper flap (1 set)



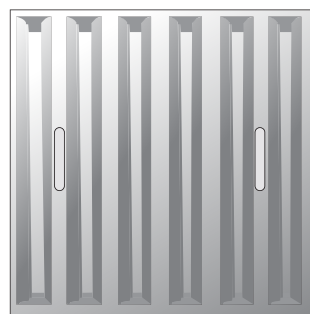
Upper Chimney Bracket (1 pc)



Lower Chimney Bracket (1 pc)

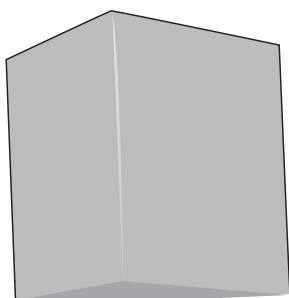


Hood Mounting Bracket (1pc)

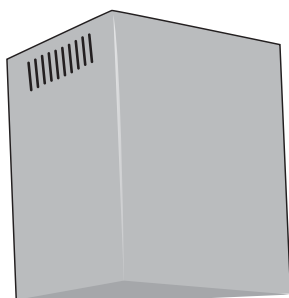


Filters

30" Range Hood with 2 pcs Baffle filters
36" Range Hood with 3 pcs Baffle filters



Lower Chimney (1 pc)



Upper Chimney (1 pc)



St4x30 (9 pcs)



φ 8x35 (9 pcs)



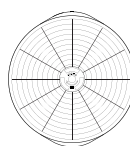
St3x10 (2 pcs)



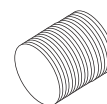
"S"shape hook (8 pcs)



Oil Cup (1 pc)

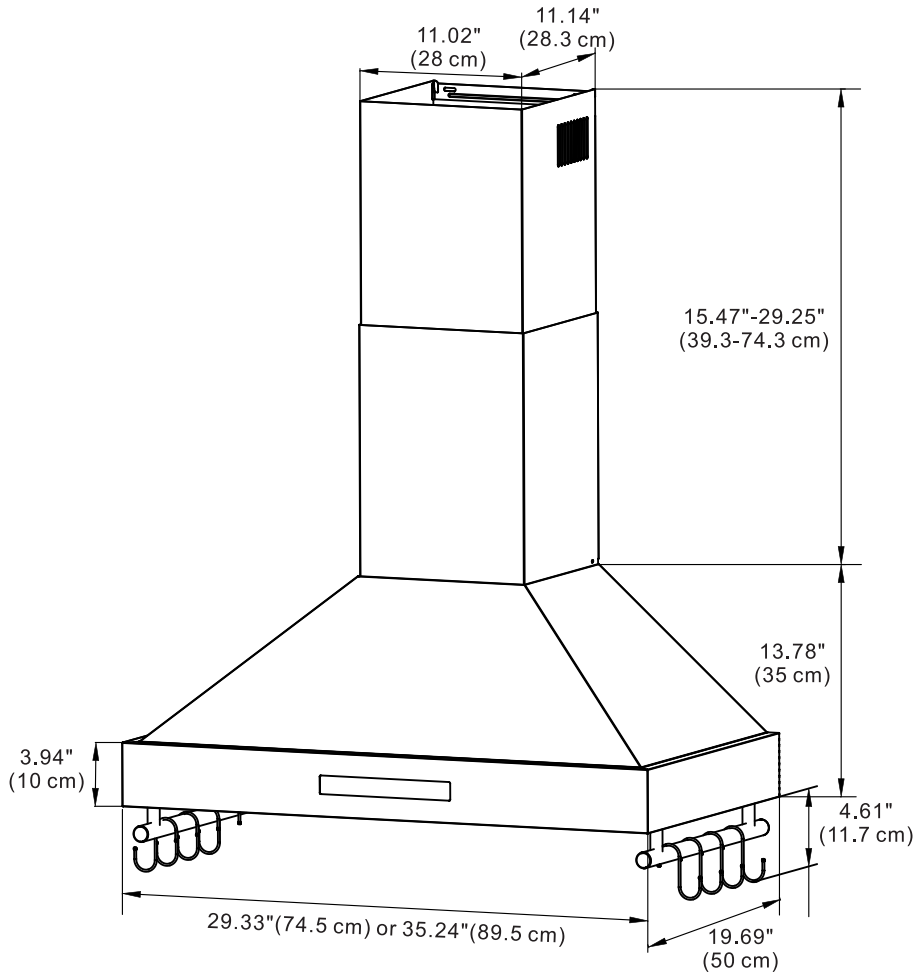


Carbon filter (2 pcs)



Flexible Pipe (1 pc)

Range Hood Dimensions

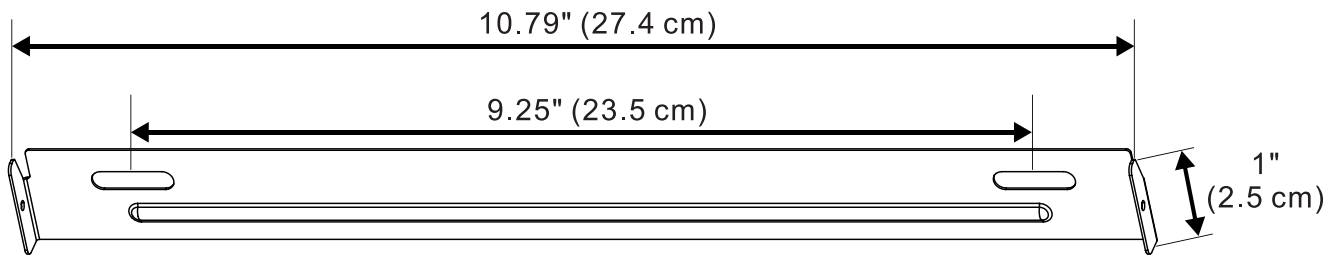


Specifications

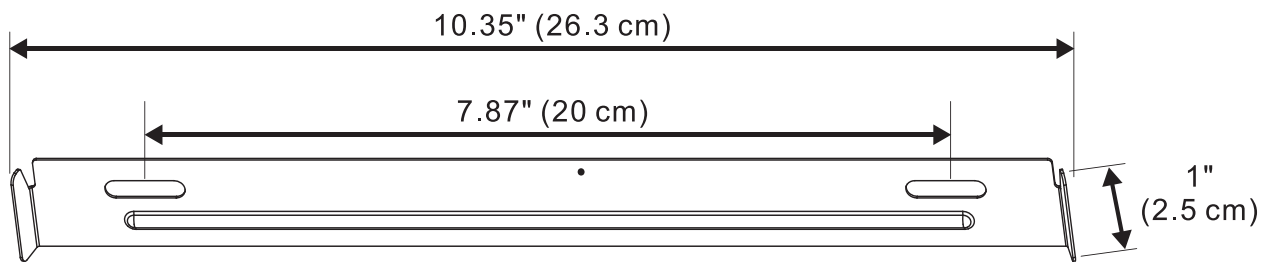
Body Design	Wall Mount
Power Rating	110-120V/60Hz
Total Input Power	193 W (190 W + 2 × 1.5 W)
Motor Input Power	190 W
Input Current	1.75 A
Speed Control Levels	3 speeds
Motors	Single Motor
Controls	Touch control panel with gesture control
Filtration	Stainless Steel Baffle Filter
Lighting	2 × 1.5 W LED
Light Intensity Levels	1
Venting Size	Top, 6 inches (153 mm) round

Mounting Brackets

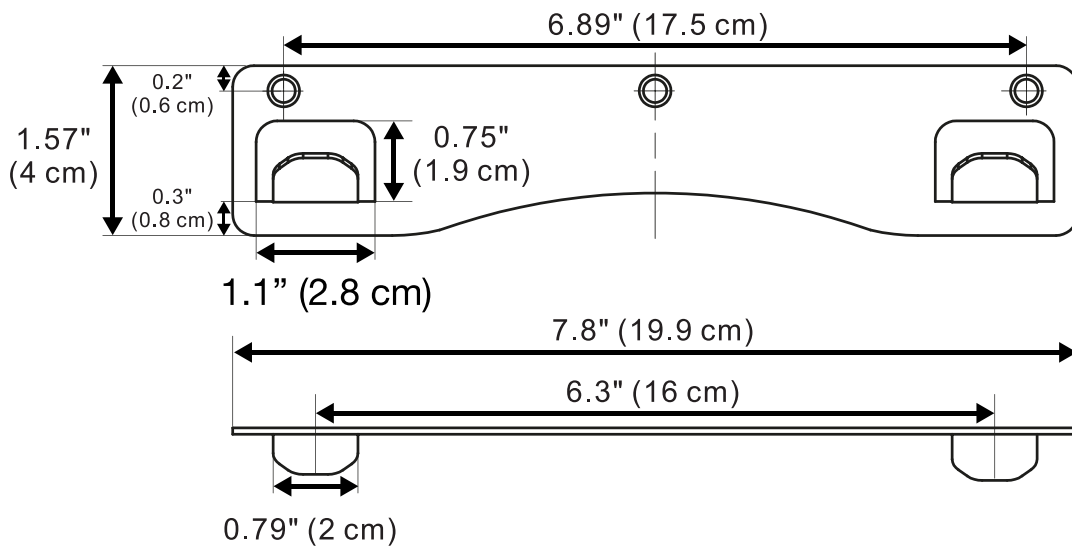
Upper Chimney Bracket



Lower Chimney Bracket



Mounting Bracket Hook



Installation

STEP 1

Read the Safety Instructions

- It is very important to read the safety instructions on pages 4 and 5.

IMPORTANT: It is the installer's responsibility to comply with installation clearances.

STEP 2

Unpack Range Hood and Prepare Tools

- Carefully unpack the range hood and parts. Make sure all parts are included as shown on page 6.
- Consult a qualified and trained installer or check local codes for makeup air requirement, if any.

STEP 3

Plan Desired Location

- Plan a desirable location that fits all requirements in the Safety and Installation sections of this manual. Plan where and how the ductwork will be installed.
- A straight or short duct run will allow the unit to perform most efficiently. Long duct runs, elbows and transitions will reduce the performance of the unit. Each elbow is equivalent to 5 to 10 feet (1.5 m to 3 m) of straight run. Proper size duct work should be 6 in. (15.3 cm) in diameter.

STEP 4

Test Unit Functions

- Plug the unit in and test all of the functions before installing.
- Place the range hood on a flat, stable surface. Connect the range hood to a designated standard outlet (120-Volt, 60Hz, AC only) and turn on the range hood. Verify all operations of the range hood by referring to *Range Hood Operations*.
- Turn power On in control panel.
- Check all lights and fan operations.

WARNINGS:

- Please make sure to read ALL safety instructions on pages 4 and 5.
- Use two or more people to move and install range hood.
- Failure to follow these instructions can result in serious injury.

Installation

STEP 5

Venting Installation Guidelines

- The following steps are for exterior ventilation.

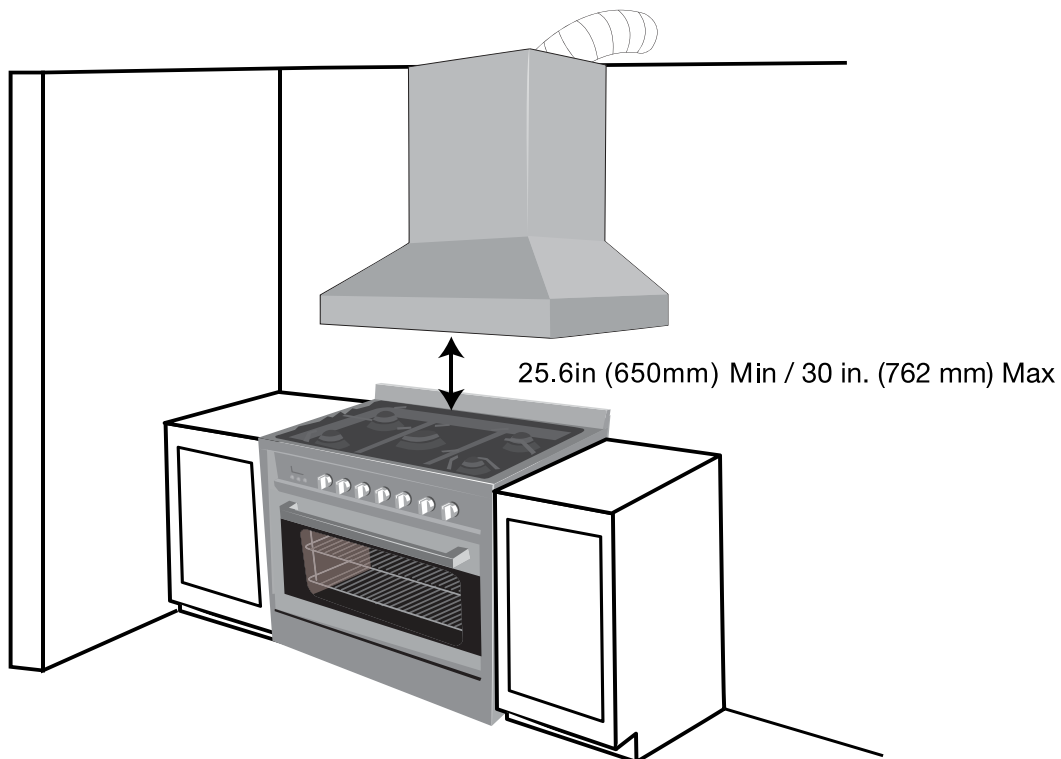
IMPORTANT:

- Vent system must terminate to the outside (roof or side wall).
- DO NOT terminate the vent system in an attic or other enclosed area.
- DO NOT use 4 in (10.2 cm) laundry-type wall caps.
- Use metal/aluminum vent only. A rigid metal/aluminum vent is recommended.
- DO NOT use a plastic vent.
- Always keep the duct clean to ensure proper airflow.
- Calculate the following figures before installation:
 1. Distance from the floor to the ceiling
 2. Distance between the floor and the countertop/stove
 3. A distance of 25.6 in to 30 in (65 cm to 76.2 cm) is recommended between stove top and the bottom of range hood. 30 in (76.2 cm) minimum is required for gas stove tops.
 4. Height of hood and duct cover.

For the most efficient and quiet operation:

- It is recommended that the range hood be vented vertically through the roof through 6 in. (15.3 cm) round, or through the roof or wall 3.15 × 9.92 in. (8 cm × 25.2 cm) rectangular duct or bigger metal/aluminum vent work.
- The size of the vent should be uniform.
- Use no more than three 90° elbows.
- Make sure there is a minimum of 25.6 in. (65 cm) of straight vent between the elbows if more than one elbow is used.
- DO NOT install two elbows together.
- The length of vent system and number of elbows should be kept to a minimum to provide efficient performance.
- The vent system must have a damper. If roof or wall cap has a damper, you may remove damper flaps from damper to increase air flow.
- Only one flange is needed in the air duct system, either on top of the motor or outside.
- Use silver tape or duct tape to seal all joints in the vent system.
- Use caulking to seal exterior wall or roof opening around the cap.

Height and Clearance





Installation

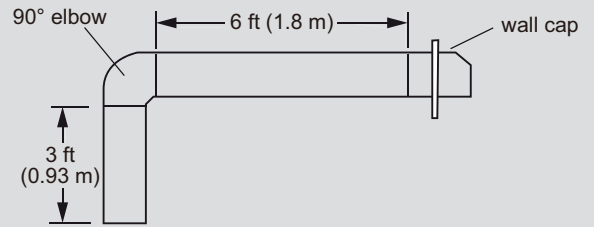
IMPORTANT:

Calculating Duct System Length

- The recommended duct system is 6" (15.2 cm) round duct with a maximum length of 35 ft (10.7 m). For the best performance, use no more than three 90° elbows.
- To calculate the length of the system you need, add the equivalent feet (meters) for each duct piece used in the system.

Duct Piece	6" (15.2 cm) Round	
90° elbow	2.5 ft (0.8 m)	
90° elbow	5.0 ft (1.5 m)	
Maximum equivalent duct length is 35 ft (10.7 m).		

Example Duct System - 6" (15.2 cm)



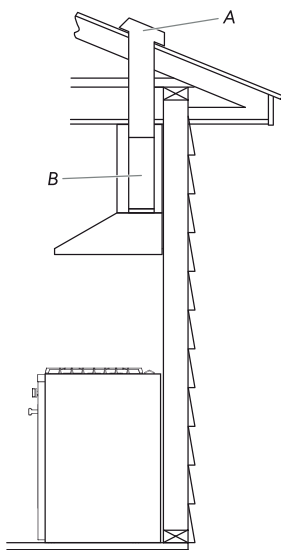
Maximum length	= 35 ft (10.7 m)
1 - 90° elbow	= 5.0 ft (1.5 m)
1 - wall cap	= 0.0 ft (0.0 m)
6 ft (1.8 m) straight	= 6.0 ft (1.8 m)
3 ft (0.9 m) straight	= 3.0 ft (0.9 m)
System length	= 14.0 ft (4.3 m)

- Vent work can terminate either through the roof or wall. To vent through a wall, a 90° elbow is needed.

Venting Methods

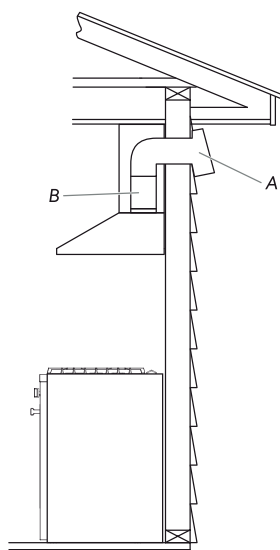
- This range hood is factory set for venting through the roof or through the wall. The exhaust opening is 6" (15.2 cm) round. A 6" (15.2 cm) round duct system is recommended. The duct system needed for installation is not included.
- If it is not possible to vent cooking fumes and vapors to the outside, the range hood can be used in the ductless (recirculating) version, using a charcoal filter kit. To order, see "Optional Parts" in the "Tools and Parts" section.

Roof Venting



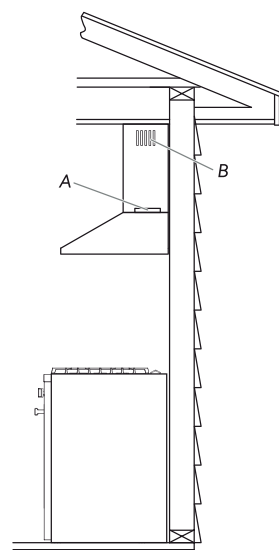
A. Roof cap
B. 6" (15.2 cm) round duct

Wall Venting



A. Wall cap
B. 6" (15.2 cm) round duct

Ductless (Non-Vented)



A. Duct opening
B. Chimney venting holes

Installation

STEP 6 Preparations

NOTE: To avoid damage to your hood, prevent debris from entering the vent opening.

- Determine and mark the center line on the ceiling or wall where the range hood will be installed.
- Make sure there is proper clearance within the ceiling or wall for exhaust vent.
- Due to the weight and size of this unit, please make sure that the support system or framework being used is stable and secure in the ceiling or wall.
- Put a thick, protective covering over countertop, cooktop or range to protect from damage or dirt.
- Remove any hazardous objects around the area when installing.



CAUTION

If moving the cooking range is necessary to install the hood, turn **OFF** the power on an electric range at the main electrical box. **SHUT OFF THE GAS BEFORE MOVING A GAS RANGE.**

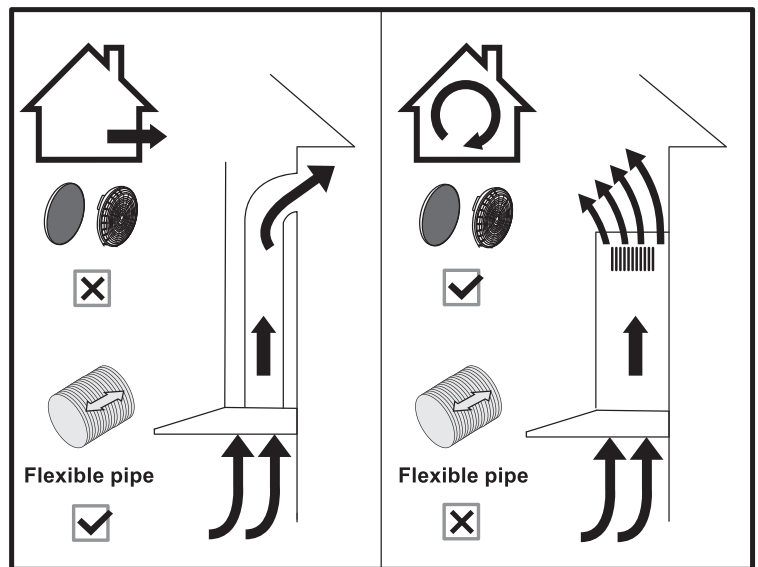
STEP 7 Installation Process

- You can choose two types of installation:
 - Ducted option
 - Recirculation option



Warning

Beware of any sharp edge of metal plates, wear suitable protective gloves when handling the product.

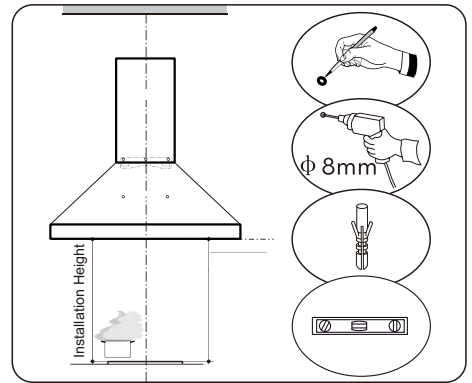


DUCTED OPTION

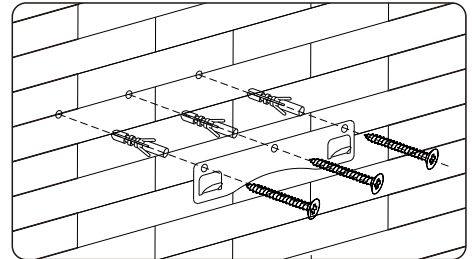
RECIRCULATION OPTION

Installation

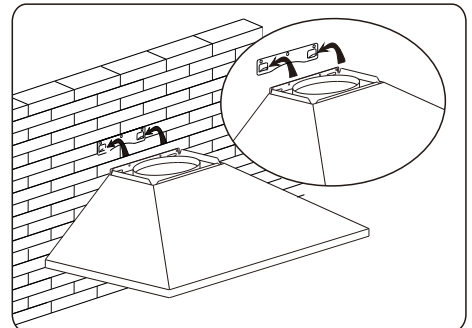
- Prepare pencil, electric drill, plastic wall anchors and level before installation.
Recommended installation height: 30 in.(762mm)
Required minimum installation height: 25.6in. (650mm)



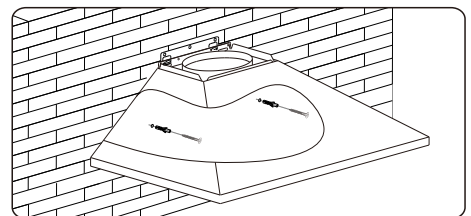
- Drill 3 x 8mm holes to accommodate the bracket.
Screw and tighten the hook onto the wall with the screws & plastic wall anchors provided.



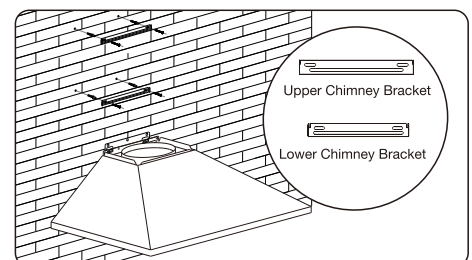
- Lift the range hood and hang onto the wall hook.



- Need to drill 2x8mm extra holes & fixing screws & plastic wall anchors before installation.

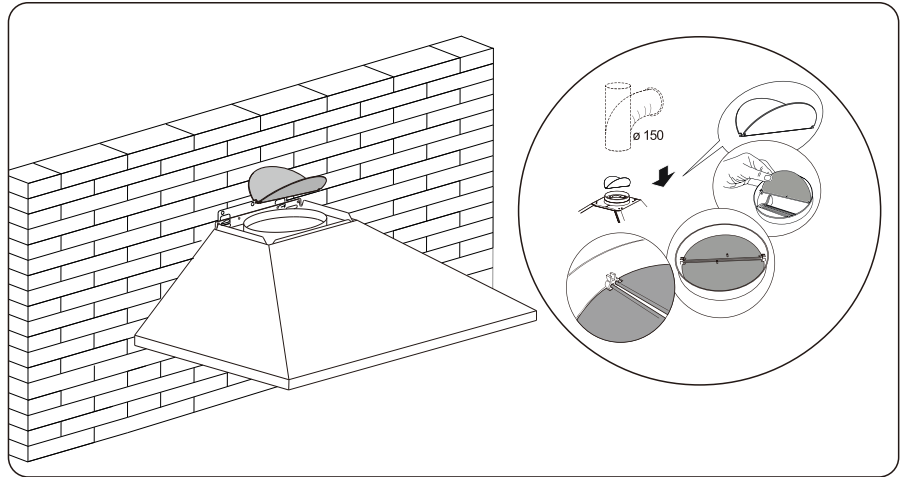


- Mark the position and drill 2 holes for each chimney bracket and tighten the bracket with screws.

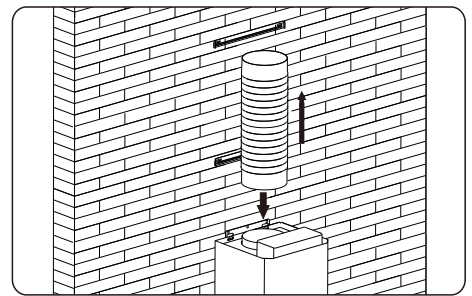


The longer bracket is upper chimney bracket

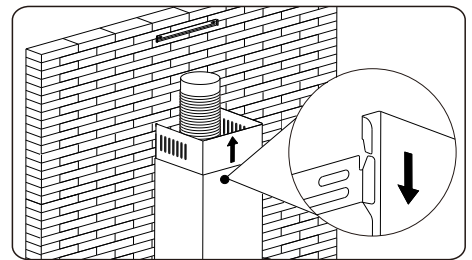
Installation



- Install the damper flag to the air outlet of the range hood, and then attached the pipe onto the air outlet as picture. Tape all joints with foil tape if necessary.(Ventilation)



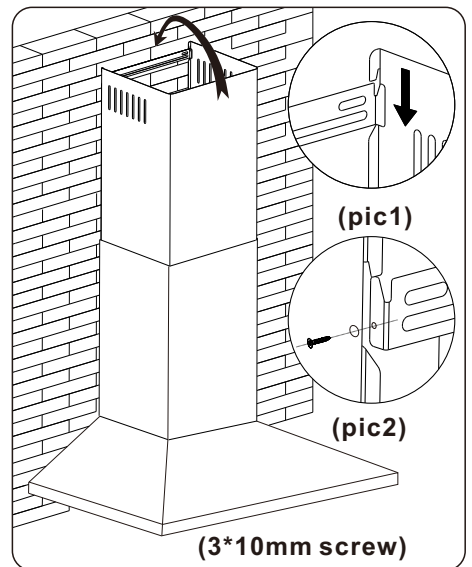
- Put the upper chimney into lower chimney . Then pulling out the upper chimney upwards. Adjust to reach the height required.



- There are 2 methods for installing the chimney cover. Please check the below pic for reference.

1.After drilling the 2 holes and fixing the bracket, hang the chimney cover by matching the both side lock.(Pic1)

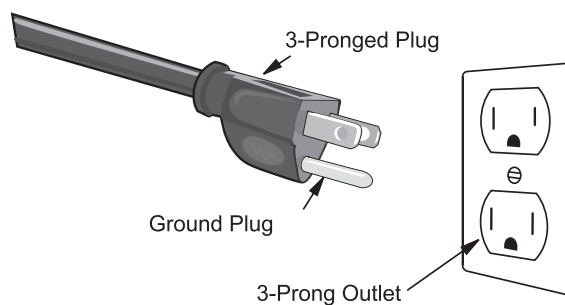
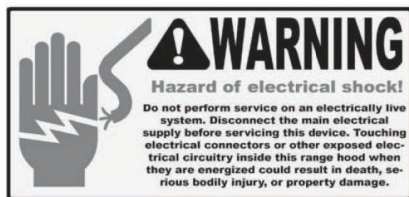
2.After drilling the 2 holes and fixing the bracket, install the chimney cover by locking with 2 screws in both side holes.(Pic2)



Installation

STEP 8 Plug-in

- Connect 3-prong grounded plug into a 3-prong grounded outlet (120V, 60Hz).
- SEE IMPORTANT INSTRUCTIONS.



IMPORTANT:

- Observe all governing codes and ordinances.
- **It is the customer's responsibility to contact a qualified electrical installer.**
- If codes permit and a separate ground wire is used, it is recommended that a qualified electrician determine that the ground path is adequate. A 120-Volt, 60 Hz, AC-only, fused electrical supply is required on a separate 15-amp circuit, fused on both sides of the line.
- DO NOT ground to a gas pipe.
- Check with a qualified electrician if you are not sure that the range hood is properly grounded.
- DO NOT have a fuse in the neutral or ground circuit.

IMPORTANT: Save this Installation Guide for electrical inspector's use.

GROUNDING INSTRUCTIONS:

- This appliance must be grounded. In the event of an electrical short-circuit, grounding reduces the risk of electric shock by providing an escape wire for the electric current.
- This appliance is equipped with a cord having a grounding wire with a grounding plug. The plug must be plugged into an outlet that is properly installed and grounded.

WARNING: Improper grounding can result in a risk of electric shock.

- Consult a qualified electrician if the grounding instructions are not completely understood, or if doubt exists as to whether the appliance is properly grounded. DO NOT use an extension cord. If the power supply cord is too short, have a qualified electrician install an outlet near the appliance.

Installation

STEP 9

Install Oil Cup

Your range hood includes a unique oil cup which collects the oil that is deposited on the grease filters. **When the oil cup is about 1/3 full, the oil cup needs to be cleaned.**

- Discard the oil before cleaning/washing the cup.
- Ensure the cup has been cleaned and dried before reattaching to the hood.
- Angle and insert the oil cup on the rear end of the unit, and push into place (see Figure 7).

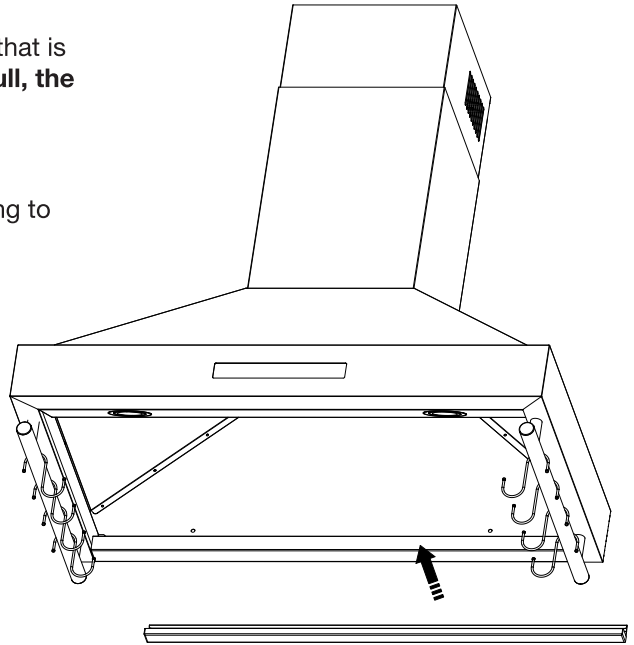


Figure 7

STEP 10

Install Filters

- Angle and insert one end of the filter into the upper channel of the range hood (Figure 8).
- Raise the other end towards the inside of range hood, rotate and insert in the bottom end of opening (Figure 9 and 10).
- Release the handle once the filter fits into a resting position.
- Repeat to install all filters.



Figure 8

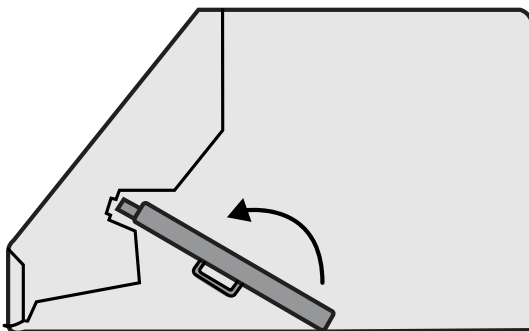


Figure 9

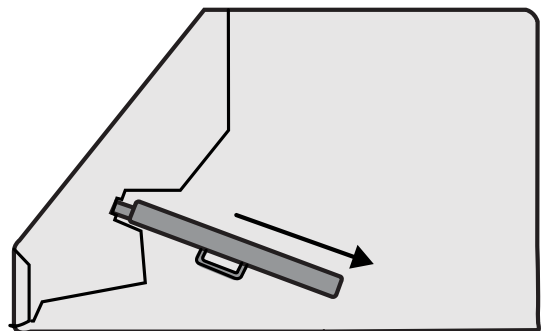
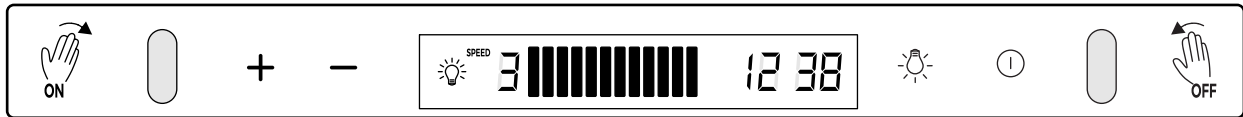


Figure 10

Operation



ON/OFF Button

- To turn the range hood on, press the ON/OFF button. The range hood will enter standby mode. If after 1 minute an operation is not selected, the range hood will automatically turn off.
 - To turn the range hood off, press the ON/OFF button.
- When the range hood is operational, pressing the ON/OFF button once, **default delays the turn-off time is 5 minutes. (If gesture function activated, the default delay time will change to 3 minutes.)**
 - Pressing the ON/OFF button again thereafter will turn the range hood off immediately

Light Control

Press the Light Control function to turn the light ON or OFF.

Clock Function

When the range hood is turned off, hold the LIGHT button for 3 seconds until all the indicators begin to blink.

- Press the +/- button to cycle through and adjust the hour setting.
- Once done, press the LIGHT button again to access the minute setting, and then press either the +/- buttons to cycle through and adjust the minute setting.

Once complete, press the LIGHT button to complete the changes. If after 10 seconds there is no button or operation selected, the settings will save automatically.

Please note that the time setting only displays in a 12-hour format. It cannot display in a 24-hour format.

Delayed Shutdown:

When the range hood is off, long press the ON button for 3 seconds. The display will blink and show 5:00.

- The default delayed shutdown time is 5 minutes.
- To change the delay time, simply press the +/- buttons to adjust the shutdown time as necessary (Between 1-60 minutes).

▲ **Please noted: No matter what delay time you set or default delay time is, if gesture function activated, default delay time will change to 3 minutes.)**

- **Gesture Function**

1. When the range hood is turned off, wave from left to right for the first time, and the range hood will turn on start operating at the lowest speed with the lights on.
 2. Waving again will increase the speed
 3. When the motor is running at its highest speed, waving from left to right will cycle through and return the hood back to the lowest speed setting.
 - a. If the range hood is already on and you wave from left to right, the range hood will continue to increase the speed and continue to cycle through speeds 1,2,3 as you continue to wave from left to right.
 4. When the range hood is on, waving from right to left will turn on the 3-minute delay shutdown, and the range hood turn off once the 3-minute countdown has been completed.
 - a. Waving again immediately from right to left will turn off the range hood immediately without waiting for the 3-minute countdown.
 5. Waving from right to left when the range hood is turned off will have no function
- Please note that the distance the hand should be waved from the switch is around 4-6"(11-15cm).

- **Selecting speed**

- 3- Highest Speed Setting
- 2-Medium Speed Setting
- 1-Lowest Speed Setting

When the range hood is on standby mode, press the - button will have the range hood be set to run at the lowest speed.

1. When the range hood is running, press the + button to increase the speed
2. When the range hood is running, press the - button to decrease the speed.

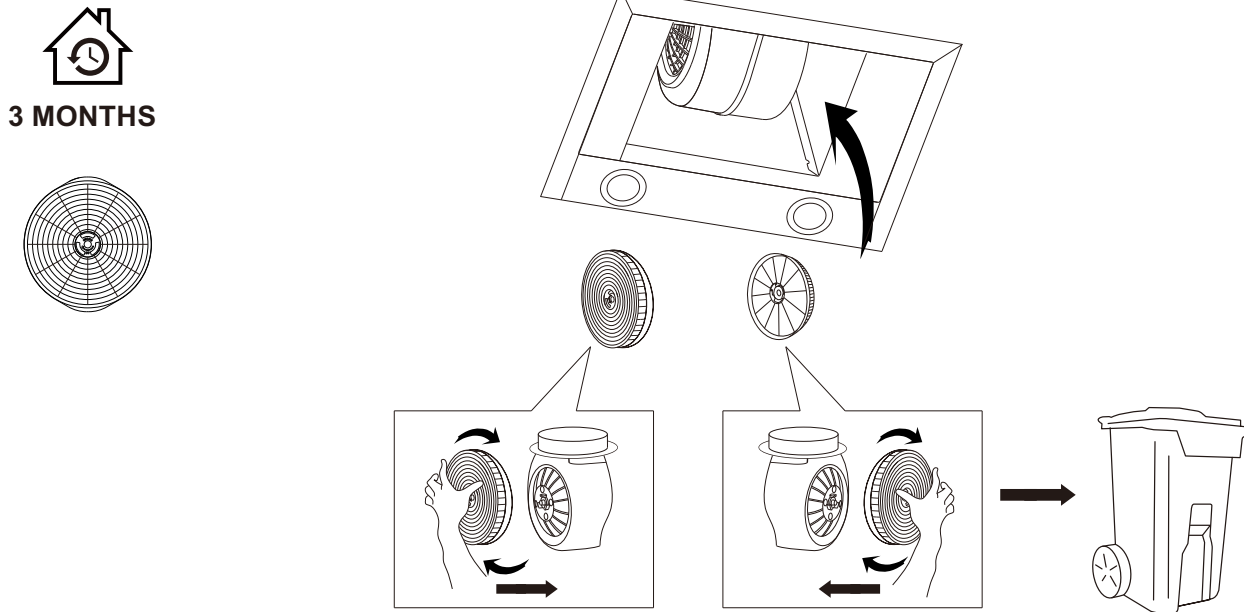
Carbon Filter Life time Suggestion & Installation

Charcoal filter life time:

- Suggest changing to new one every 3 months (According to different kitchen condition, the life time of carbon filter might be longer or shorter than 3 months).

• Installation:

Fix carbon filter into the unit and turn it in as below picture shows. Repeat the same on the other side.



Important Notice:

1. Make sure the filter is securely locked. Otherwise, it would loosen and cause abnormal noise and danger.
2. Using charcoal filter would reduce the air flow of the range hood.

Maintenance

Cleaning Filters

IMPORTANT: Drain oil from baffles, spacers, filters, oil tunnels, oil containers before oil and residue overflow!

- Remove all baffles, spacers, filters, grease tray, and oil containers and discard oil and residue.
- Wash with warm soapy water. NOTE: Stainless steel baffles, spacers and oil tunnel are top rack dishwasher safe.
- Dry thoroughly before replacing and follow directions for installation in reverse.
- Filters should be cleaned after every 30 hours of use.
- Should filters wear out due to age and prolonged use, replace with a new filter.

Cleaning Oil Cup

- Remove the oil cup, by slightly pulling the oil cup forwards to release it from the range hood.
- Discard the oil before cleaning/washing the cup.
- Ensure the cup has been cleaned and dried before reattaching to the hood.

Replacing the Light

! **IMPORTANT:**
ALWAYS SWITCH OFF THE ELECTRICITY SUPPLY AT THE MAIN PANEL BEFORE CARRYING OUT ANY OPERATION ON THE APPLIANCE.

- 1** Make sure the range hood is unplugged or turn OFF breaker.
- 2** Remove filters. Reach into interior of range hood until reaching clip located on the side of the light. Gently squeeze and push down until light pops out from its location, pull out the LED light and unplug it.
- 3** Replace with appropriate LED light. Plug in new light and push back into light panel.
- 4** Turn ON breaker and range hood to test for operation.

! **CAUTION: LIGHT MAY BE HOT, PLEASE TAKE OUT THE LIGHT WHEN THE LIGHT IS COMPLETELY COOL!**

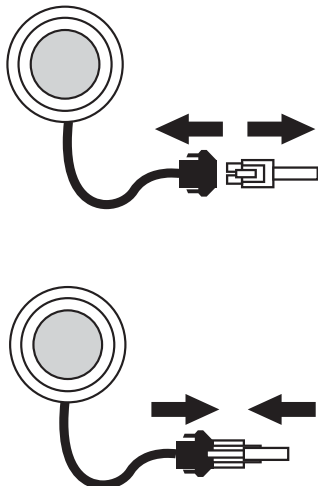


Figure 11

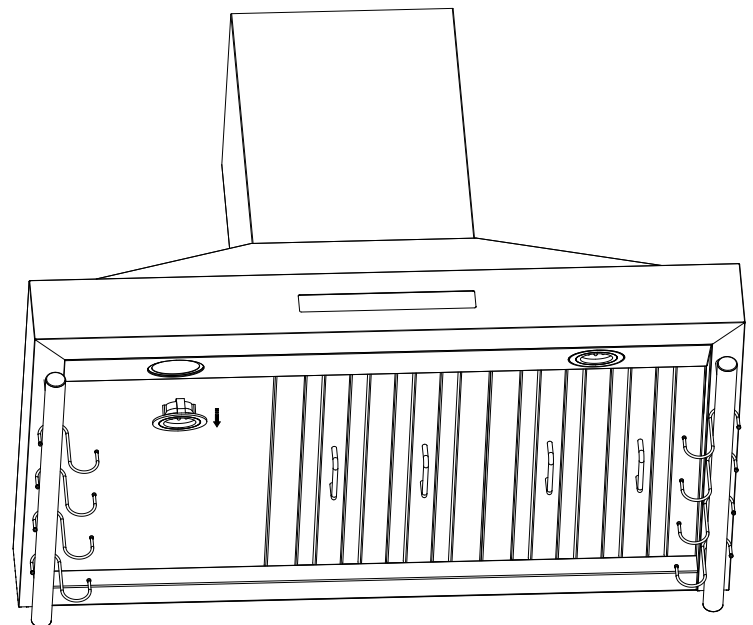


Figure 12

Troubleshooting

Problem	Possible Cause
If the range hood or LED light does not operate after installation:	Check if the range hood has been plugged in, make sure that all power has been turned back ON, fused not blown and all electrical wiring are properly connected.
The range hood vibrates when the blower is on:	The range hood might not have been secured properly on to the ceiling or wall.
The blower or fan seems weak:	<p>Check that the duct sized used is at least 6 in. (15.3 cm). Range hood WILL NOT function efficiently with insufficient duct size. For example: 7 in. (17.7 cm) duct over 6 in. (15.3 cm) hole and loosely secured.</p>
	Check if duct is clogged or if damper unit (half-circular flange) is not installed correctly or opening properly. A tight mesh on a side wall cap unit might also cause restriction to the air flow.
The lights work but the fan is not spinning at all, is stuck or is rattling:	The fan might be jammed or scraping the bottom due to shipping damage. Please contact us immediately.
The hood is not venting out properly:	Make sure the distance between the stove top and the bottom of the hood is within 25.6 in. and 30 in. (65 and 76.2 cm) in distance.
	Reduce the number of elbows and length of duct work. Check if all joints are properly connected, sealed, and taped.



Use and Care Information

Operations

- Read and understand all instructions and warnings in this manual before operating the appliance. Save these instructions for future reference.
- Always leave safety grills and filters in place. Without these components, operating fans could catch on to hair, fingers and loose clothing.
- NEVER dispose cigarette ashes, ignitable substances, or any foreign objects into fans.
- NEVER leave cooking unattended. When frying, oil in the pan can easily overheat and catch fire. The risk of self combustion is higher when the oil has been used several times.
- NEVER cook on “open” flames under the range hood. Check deep-fryers during use; superheated oil may be flammable.

Cleaning

- The saturation of greasy residue in the fan and filters may cause increased inflammability. Keep unit clean and free of grease and residue build-up at all times to prevent possible fires.
- Filters must be cleaned periodically and free from accumulation of cooking residue (see Cleaning Instructions below). Old and worn filters must be replaced immediately.
- DO NOT operate fans when filters are removed. Never disassemble parts to clean without proper instructions. Disassembly is recommended to be performed by qualified personnel only. Read and understand all instructions and warnings in this manual before proceeding.



SAFETY WARNING: Never put your hand into area housing the fan while the fan is operating!

For optimal operation, clean range hood and all baffle/spacer/filter/grease tray/oil container regularly. Regular care will help preserve the appearance of the range hood.

Cleaning Exterior Surfaces

- Clean periodically with hot soapy water and clean cotton cloth. DO NOT use corrosive or abrasive detergent (e.g. Comet Power Scrub®, EZ-Off® oven cleaner), or steel wool/scoring pads, which will scratch and damage the stainless steel surface. For heavier soil use liquid degrease such as “Formula 409®” or “Fantastic®” brand cleaner.
- If hood looks splotchy (stainless steel hood), use a stainless steel cleaner to clean the surface of the hood. Avoid getting cleaning solution onto or into the control panel. Follow directions of the stainless steel cleaner. **CAUTION: DO NOT leave on too long as this may cause damage to hood finish.** Use soft towel to wipe off the cleaning solution, gently rub off any stubborn spots. Use dry soft towel to dry the hood.
- After cleaning, you may use non-abrasive stainless steel polish such as 3M® or ZEP®, to polish and buff out the stainless luster and grain. Always scrub lightly, with clean cotton cloth, and with the grain.
- DO NOT allow deposits to accumulate or remain on the hood.
- DO NOT use ordinary steel wool or steel brushes. Small bits of steel may adhere to the surface and cause rusting.
- DO NOT allow salt solutions, disinfectants, bleaches, or cleaning compounds to remain in contact with stainless steel for extended periods. Many of these compounds contain chemicals, which may be harmful.
- Rinse with water after exposure to these compounds and wipe dry with a clean cloth.



FOR
FAST SUPPORT
EMAIL AT **INFO@FORNO.CA** 

Customer Support: Call 1-866-231-8893 or email: info@forno.ca