

# Huepar®

## User Manual

360° Self-leveling Cross Line Laser Level

HM03CG



Contact us: [support@huepar.com](mailto:support@huepar.com)

CE UK CA FC RoHS ♻️ ♻️ ⚡

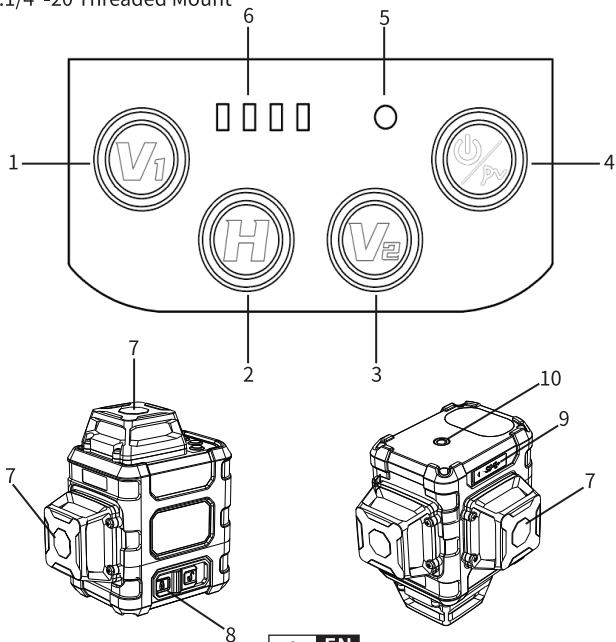
Thank you for purchasing Huepar 360° Self-leveling Cross Line Laser Level.

Before using the product, please read this manual thoroughly to ensure proper use.

- **Product Overview**
- **Safety Instructions**
- **Charging and Battery Safety**
- **Operation Modes & LED Indicator**
- **Specifications**
- **Warranty**

# Product Overview

- 1.Switch Vertical Lines
- 2.Switch Horizontal Line
- 3.Switch Vertical Lines
- 4.ON / OFF Button & Pulse Mode Button
- 5.Pulse Mode Indicator
- 6.Battery Capacity Indicators
- 7.Laser Windows
- 8.Pendulum / Transit Lock
- 9.Type-C Charging Port
- 10.1/4"-20 Threaded Mount



## Safety Instructions

Please read thoroughly and comply with the Safety Instructions and User Manual before using this product. Failure to read and follow may void the warranty.

### **WARNING!**

**CLASS II LASER PRODUCT  
COMPLIES WITH 21 CFR 1040.10 AND 1040.11**

Max. Power Output: <1mW  
Wavelength: 505nm-520nm

#### **LASER RADIATION:**

**DO NOT STARE INTO BEAM.**

**DO NOT DIRECT EYE EXPOSURE.**

**AVOID VIEW WITH OPTICAL INSTRUMENTS.**



IEC/EN60825-1:2014

### **ATTENTION:**

Read all instructions prior to operating this laser tool. Do not remove any labels from tool.

- While the product is in operation, be careful not to expose your eyes to the emitting laser beam (Green light source). Exposure to a laser beam for an extended time may be hazardous to your eyes.
- Do not attempt to view the laser beam through optical tools such as telescopes as serious eye injury may result.
- Do not disassemble or modify the laser in any way. Modifying the tool may result in hazardous Laser Radiation Exposure.
- Do not operate the laser around children or allow children to operate the laser. Serious eye injury may result.
- An exposure to the beam of a Class 2 laser is considered safe for a maximum of 2 seconds. Eyelid reflexes will normally provide adequate protection.
- The following label/print samples are placed on the product to inform of the laser class for your convenience and safety.

## CAUTION

LASER RADIATION - DO NOT  
STARE INTO THE BEAM OR VIEW  
DIRECTLY WITH  
OPTICAL INSTRUMENTS



MAX OUTPUT <math><1\text{mW}</math> @ 505nm-520nm  
CLASS II LASER PRODUCT  
COMPLIES WITH 21 CFR 1040.10 AND 1040.11

CE RoHS FC  
Made in China



### User Guide, Maintenance and Care

- When not in use please power OFF the tool and place the pendulum lock in locked position.
- The laser tool is sealed and calibrated at the plant to the accuracy specified.
- It's recommended to carry out an accuracy check before its first use and periodic checks during future use especially for precise layouts.
- Do not touch the glass window in case leaving any fingerprint on the window, which may affect the performance of the laser.
- Do not store the laser tool in direct sunlight or expose it to high temperatures. The housing and some internal parts are made of plastics and may become deformed at high temperatures.
- Exterior plastic parts may be cleaned with a damp cloth, NEVER use solvents. Use a soft, dry cloth to remove moisture from the tool before storage.
- Store the tool in its case when not in use. If storing for extended time, remove batteries before storage to prevent possible damage.
- Do not dispose of this product with household waste.
- Always dispose of batteries per local code.
- Please recycle in line with local provisions for the collection and disposal of electrical and electronic waste under the WEEE Directive.

# Charging and Battery Safety

Please read thoroughly and comply with the lithium battery safety instructions and precautions before charging.

Fail to read and follow may result in personal injury, fire, and property damages if the battery is charged and/or used improperly.

## **Charging Precautions:**

- Please use the charger or adapter provided by the manufacturer.
- The first charging time is recommended to be more than 6 hours. Each charge time is not less than 5 hours, but no more than 24 hours.
- If the lithium battery is not used for extended time, please charge the lithium battery once every 6 months, each charging time is not less than 5 hours.
- The best charging temperature: 0°C to 20°C (32°F to 68°F).

## **Battery Capacity Indicators (6):**

- After power on, the current battery level will be displayed on the battery capacity indicators, ranging from 1 to 4 indicator(s).
- When only 1 battery indicator lights up in green, the battery is low, and needs charging.
- When only one battery indicator flashes, the battery is almost exhausted, and needs to be charged immediately.
- When all 4 battery indicators light up, the battery is fully charged.
- The 4 battery indicators will flash in turn while charging; When the battery is fully charged, all the 4 battery indicators will light up and stop flashing.

## **Battery Safety:**

- DO NOT SHORT CIRCUIT. Short circuits may cause fire, and injury!
- Do not charge unattended.
- Do not disassemble, or modify the battery.
- Keep the battery away from children, and pets.

- Immediately discontinue use of the battery if the battery becomes abnormal / deformed (emits an unusual smell, feels hot, changes color or shape, or appears abnormal in any other way). Please contact the manufacturer to replace it.
- Never charge or store the batteries inside your car. Extreme temperatures (low or high) might ignite the battery, and cause a fire.
- Do not place the battery in high-pressure containers, microwave ovens, or on induction cookware.
- Do not carry, or store the batteries together with hairpins, necklaces, or other metal objects.
- On (battery electrolytes) exposure to skin, flush with water immediately. If eye exposure occurs, flush with water for 15 minutes, and seek emergency care immediately.


## Operation & LED Indicator

### Turn ON the laser tool:

#### **Method 1: Turn ON the Self-leveling Mode:**

- Slide the pendulum to the Unlocked Position to turn ON the laser tool, the self-leveling mode is activated by default.
- The battery capacity indicators (6) will light up in Green.
- The laser beam(s) blink fast when the tool is out of self-leveling range ( $\pm 3^\circ$ ).

#### **Method 2: Turn ON the Manual / Tilt mode:**

- When the pendulum in Locked Position, press  and hold for  $\geq 2$  seconds to turn ON the laser tool, the manual mode is activated by default.
- The battery capacity indicators (6) will light up in green.


- The laser beam(s) will blink about every 3-5 seconds to notify the user it is not self-leveling now.
  - Under manual mode, users can position the laser tool at any angle.
- ※ **Note:** Please notice the laser beam(s) projected in manual mode cannot be used as a horizontal or vertical reference in nature.

### **Turn OFF the laser tool:**

#### **A. If the laser tool is in Self-leveling Mode:**

- Slide the pendulum to the Locked Position to turn OFF the laser tool.

#### **B. If the laser tool is in Manual Mode:**

- **Method 1:** Slide the pendulum to the Unlocked Position, and then slide the pendulum again to the Locked Position to turn OFF the laser tool.
- **Method 2:** When the pendulum is in the Locked Position, press  and hold for  $\geq 2$  seconds to Turn OFF the laser tool.

#### **C. Automatic Power OFF:**


- In Manual Mode, when all laser lines are switched OFF while the indicators are still ON, the laser tool will automatically turn off after about 5 minutes of inactivity.

#### ※ **Note:**

- The laser level can only be turned off when the pendulum in its Locked Position.
- All indicators will light OFF when the laser tool is turned OFF.



### **Lines Switching:**

After power on, the horizontal line will be on by default.

- Short press  to switch ON/OFF the horizontal line.
- Short press   to switch ON/OFF the vertical lines.

### **Pulse Mode (Use with Laser Receiver):**

- With the pulse mode on, the laser tool can work with the laser receiver for working in a brighter environment or a larger working distance.

- **Switch to Pulse Mode:** Turn on the laser tool, short press  to switch to Pulse Mode. The laser beams are dimmer in pulse mode, and the pulse mode Indicators(5) lights up in blue.
- **Return to Normal Mode:** Press  again to return to Normal Mode. The laser beams and the color of the pulse will be restore.

※ **Note:** Keep the pulse mode on when using with receiver for larger working range.

## Specifications

Model	HM03CG
Laser Class	Class 2 (IEC/EN60825-1/2014), <1mW
Laser Wavelength	505-520nm
Leveling Accuracy	±3mm/10m (±1/9 in. at 33 ft)
Leveling / Compensation Range	±3°
Self-leveling Time	3 seconds
Reference Working Distance(100lux)	30m / 98ft
Reference Working Distance (with Laser Receiver)	40-60m / 130-197ft
Reference Operating Time	About 8 hours
Power Source	3.7V / 4000mAh Li-ion battery
Charging Port	Type-C
Power Adapter	5V=1A
Charging Time	About 5 hours
Female Threaded Size	1/4"-20
IP Rating	IP54
Operation Temperature Range	-10°C ~ +50°C
Storage Temperature Range	-20°C ~ +70°C

※ **Note:**

- Appearance and specifications may differ due to product improvement.
- Working distance varies depending on the operating environment.
- Keep the pulse mode on when using with laser receiver for a larger working range.

## Warranty

The laser tool passed a rigorous and comprehensive product inspection. We are confident in the quality of our products and provide excellent guarantee for professional users of the products.

### **We offer 5 Years Warranty for all Huepar 3D/4D Laser Level Models and Lifetime Technical Support.**

#### **Huepar 5-Year Warranty for All 3D/4D Models includes:**

Device: 5 Years | Battery: 2 Years (non-human damage);

Year 1: Free Replace a brand-new full set - device, battery, accessories —no hassle;

Years 2-5: Free replacement with refurbished or equivalent for any non-repairable.

#### **This Warranty does not cover:**

- Faults caused by accidental damage
- The product has suffered unreasonable wear and tear
- Failure to use according to manufacturers' instructions
- Defects caused by maintenance or renovation without our authorization
- Calibration and maintenance are not included in the warranty

※ **Note:**

- We are not liable for any direct or indirect loss caused by the failure of this product beyond the scope stipulated by law.
- Repair or replacement under this Warranty does not affect the expiry date of the Warranty.

- This warranty is only applied to customers who have purchased this product, and is not permitted to transfer this warranty to any third parties.
- This Warranty shall not be altered without our authorization.

You can enjoy a 12 months limited warranty but it can be up to 5 years if you register as a member through the product registration.  
Please scan the QR code to activate your priority.

If you encounter any question or confusion about the product, please feel free to contact us: **support@huepar.com**

