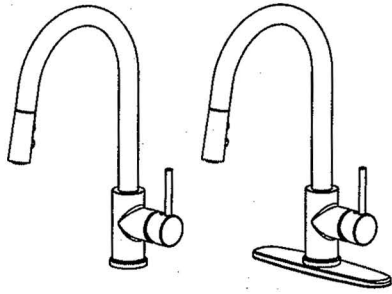
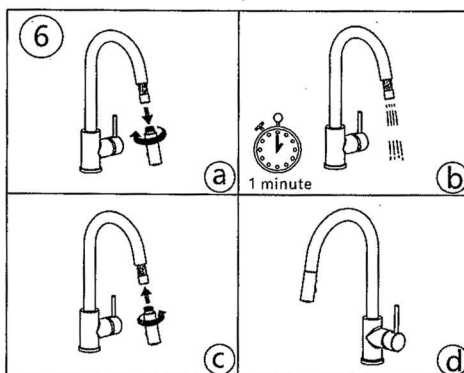
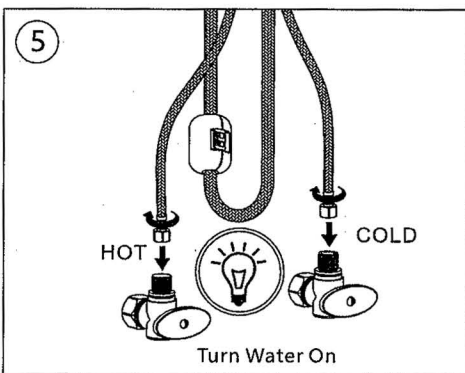
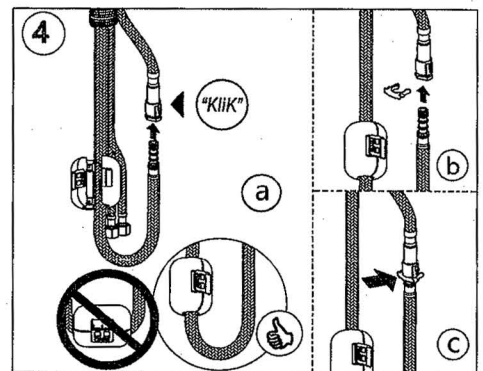
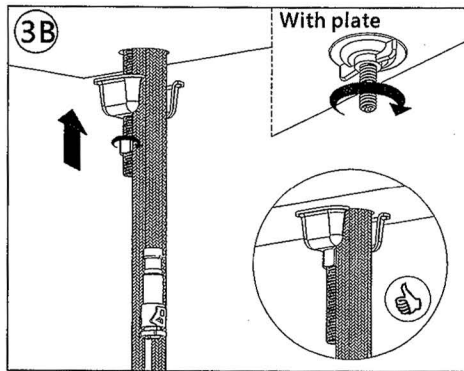
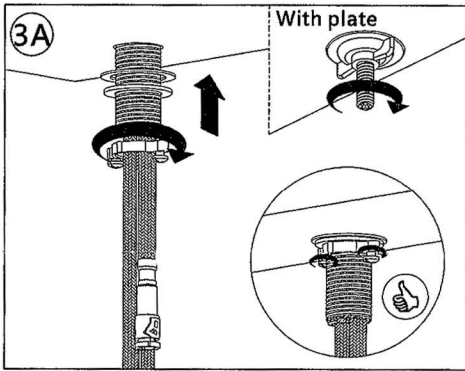
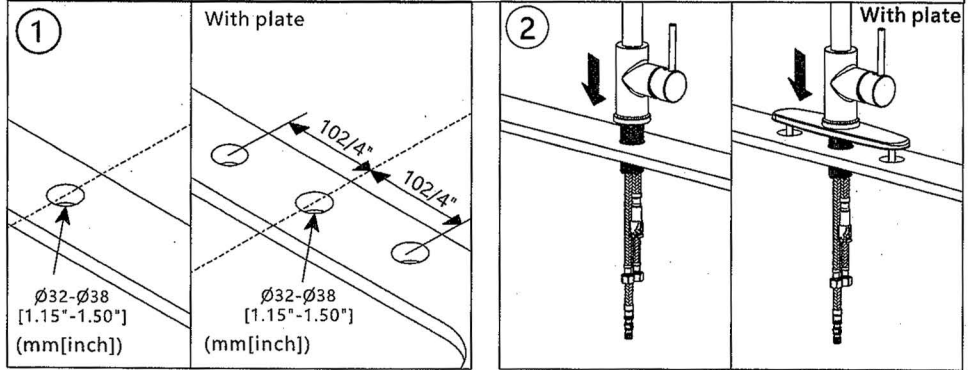


Instructions & Parts List For Sink Faucet

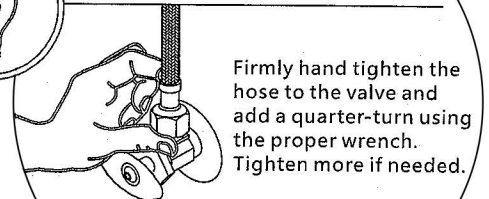
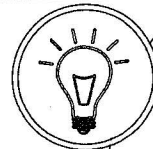


RECOMMENDED TOOLS



The model shown in the installation steps may differ from the one in box, however the connection type and installation steps are the same.

CONNECTION ADVICE



Firmly hand tighten the hose to the valve and add a quarter-turn using the proper wrench. Tighten more if needed.

Instructions & Parts List For Sink Faucet

TECHNICAL DETAILS

1 Description

- Isabelle - Kitchen faucet
- Magnetic pull down sprayer
- 360° swing angle, high arch spout
- Ceramic disc cartridge(φ35mm)
- SS Flex hoses with 3/8" compression nuts
- 1.8 GPM ASME compliant

2 Technique Parameter

Parameter	Water Pressure	Water Temperature
Market		
ASME A112.18.1/ CSA B125.1	20-80PSI	10-65°C

3 Certificate



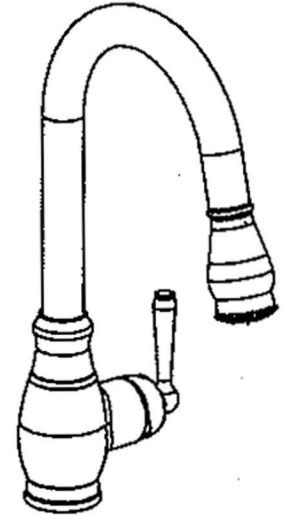
AB1953



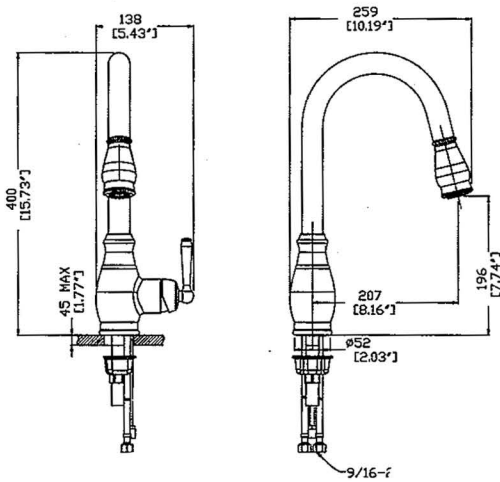
4 Surface maintenance

Remove any surface dirt and film using clean water and cotton cloth. Spray cleaner such as mild liquid detergents, clear liquid glass cleaner, non-acidic and fully dissolved powder cleaners or non-abrasive liquid polishers on the rag to clean the faucet surface.

Once clean, rinse faucet again with clear water to thoroughly remove cleaner and dry with soft cotton cloth.



DIMENSIONS



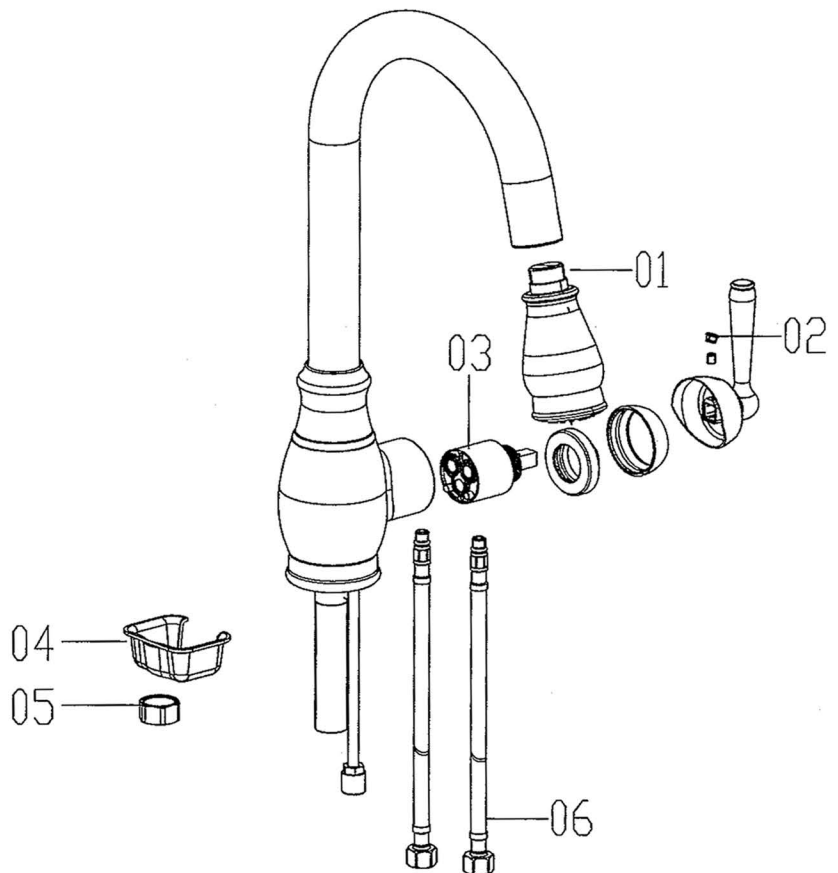
■ For Reference only (unit = mm[inch])

NO.	Description	Qty
01	SHOWER	1
02	CAP	1
03	CARTRIDGE	1
04	CASKET	1
05	NUT	1
06	HOSE(9/16-24UNEF)	2

■ Notes: For reference only. We reserve the right to make changes without any notice.

Please read the followings before installing and usage.

Note: The exact shape of your faucet may vary.



For more information, questions or assistance please visit us at RCSGasGrills.com and click the Customer Care Form.