



## **Bottom-Mount Refrigerator**

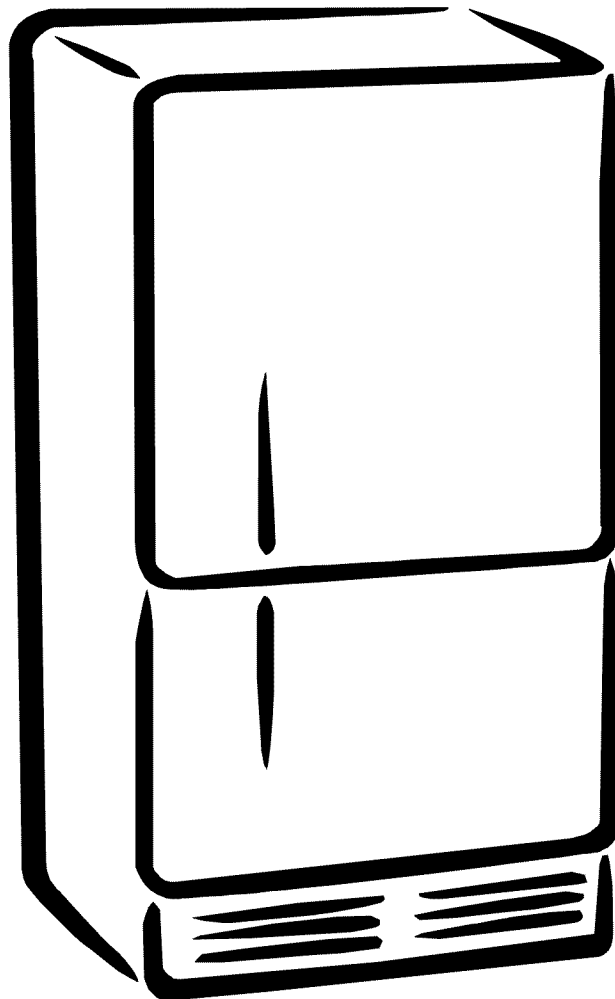
Use & Care Guide

## **Refrigerador con montaje inferior**

Manual de uso y cuidado

## **Réfrigérateur à compartiment inférieur**

Guide d'utilisation et d'entretien



**ENGLISH**   **ESPAÑOL**   **FRANÇAIS**

 Recognize this symbol as a safety precaution.

## Electrical Requirements

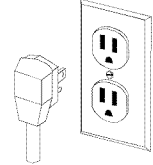
### WARNING

To avoid electrical shock which can cause severe personal injury or death, do not cut or remove the round grounding prong from the plug. Refrigerator must be grounded at all times. Do not remove warning tag from cord.

**Do not use a two-prong adaptor. Do not use an extension cord.**

Electrical Grounding Instructions — This refrigerator is equipped with a three-prong (grounding) plug for protection against possible shock hazards. If you encounter a two-prong receptacle, contact a qualified electrician and have the two-prong wall receptacle replaced with a properly grounded three-prong wall receptacle in accordance with the National Electrical Code.

Refrigerator is designed to operate on a separate 103 to 126 volt, 15 amp., 60 cycle line.



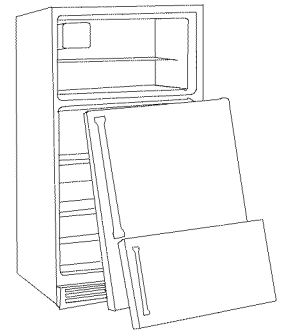
### DANGER

#### Proper Disposal of Your Refrigerator

**IMPORTANT:** Child entrapment and suffocation are not problems of the past. Junked or abandoned refrigerators are still dangerous—even if they will sit for “just a few days”. If you discard an old refrigerator, please follow the instructions below to help prevent accidents.

#### **BEFORE YOU THROW AWAY YOUR OLD REFRIGERATOR OR FREEZER:**

- Take off the doors.
- Leave the shelves in place so children may not easily climb inside.



## Warranty

#### **Full One Year Warranty on Refrigerator**

For one year from the date of purchase, when this refrigerator is operated and maintained according to instructions attached to or furnished with it, Sears will repair it, free of charge, if defective in material or workmanship.

#### **Full Five Year Warranty on Sealed Refrigeration System**

For five years from the date of purchase, when this refrigerator is operated and maintained according to instructions attached to or furnished with it, Sears will repair the sealed system (consisting of refrigerator, connecting tubing and compressor motor) free of charge, if defective in material or workmanship.

The above warranty coverage applies only to refrigerators which are used for storage of food for private household purposes. Excludes original and replacement Kenmore Filtered Ice & Water filter cartridges and Kenmore Air Filtration cartridges. Original and replacement cartridges are warranted for 30 days, parts only, against defects of material and workmanship.

Warranty Service is available by contacting 1-800-4-MY-HOME (1-800-469-4663).

This warranty applies only while this product is in use in the United States.

This warranty gives you specific legal rights, and you may also have other rights, which vary from state to state.

Sears, Roebuck and Co, Dept 817WA, Hoffman Estates, IL 60179

## Read and Save These Instructions

Record in the space provided below the model and serial numbers found on the serial plate located on the top left wall of the refrigerator compartment.

Model Number: 596. \_\_\_\_\_

Serial Number: \_\_\_\_\_

Purchase Date: \_\_\_\_\_



## Contents

Electrical Requirements .....	2
Proper Disposal of Your Refrigerator .....	2
Warranty .....	2
Read and Save These Instructions .....	2
Space Requirements .....	3
Installation Instructions .....	3
To Remove Doors .....	3
To Reverse Doors .....	4
To Replace Doors .....	4
Connect Ice Maker Supply Line .....	4
Leveling Refrigerator .....	5
Controls .....	6
Refrigerator and Freezer Controls .....	6
Setting Controls .....	6
Refrigerator Features .....	6
Refrigerator Shelves .....	6
Deli Center .....	7
Drawers .....	7
Bottle Rack .....	7
Dairy Compartment .....	7
Door Buckets .....	7
Door Shelf .....	8
Water Filtration System .....	8
Air Filtration Cartridge .....	8
Freezer Features .....	9
Automatic Ice Maker .....	9
Slideout Shelf .....	9
Vertical Shelf Divider .....	9
Tilt-Out Bin .....	9
Care and Cleaning .....	10
General Cleaning .....	10
Stainless Steel Cleaning .....	10
Adhesives .....	10
Door Gaskets .....	10
Condenser Coil .....	10
Glass Shelves .....	10
Odor Removal .....	10
Light Bulbs .....	11
Energy Tips .....	11
Vacation Tips .....	11
Normal Operating Sounds .....	12
Before Calling For Service .....	13
Español .....	15
Français .....	29

**Note:** Translation may sometimes cause variations in meaning. In all cases where meaning varies, the most accurate meaning will be the English version of this document.

## Space Requirements



### WARNING

Keep flammable materials and vapors, such as gasoline, away from refrigerator. Failure to do so can result in death, explosion, fire, or burns.

- To ensure proper ventilation for your refrigerator, allow for a 1" (2.5 cm) space at the top of your refrigerator.
- Make sure you leave some extra space at the back to allow for the water line connection.

**NOTE:** Do not install the refrigerator near an oven, radiator, or other heat source. Do not install the refrigerator in a location where the temperature will fall below 55°F (13°C).

## Installation Instructions

Proper installation will ensure that this refrigerator operates most efficiently.

### Tools Required

- Putty knife (blade covered with masking tape)
- $\frac{5}{16}$ " hex nut driver
- $\frac{3}{8}$ " hex nut driver
- $\frac{9}{32}$ " hex nut driver
- Phillips screwdriver

### IMPORTANT:

- Save all screws for reuse.
- For plug removal use a putty knife blade covered with masking tape to avoid damage to refrigerator finish. For plugs using a screwdriver or nut driver style head, use appropriate tool to avoid damage to plugs.

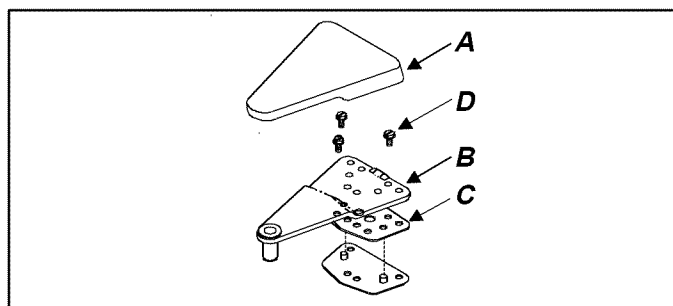
### To Remove Doors



### WARNING

To avoid electrical shock, which can cause severe personal injury or death, disconnect power to refrigerator before removing doors. After replacing doors, connect power.

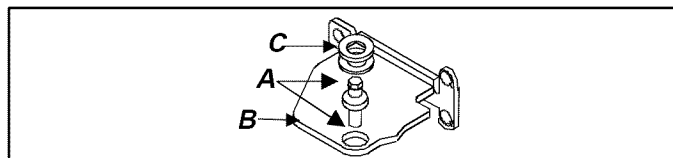
- Remove top hinge cover (A). Top hinge cover snaps off. While supporting refrigerator door, remove top hinge (B) and shim (C) using  $\frac{5}{16}$ " hex nut driver to remove screws (D).



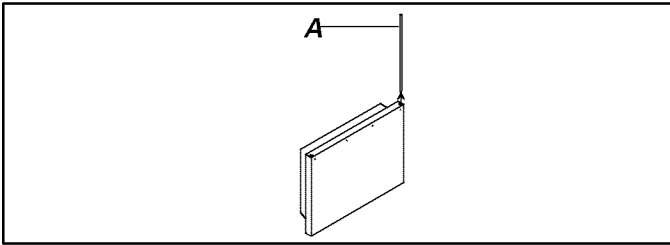
- Lift refrigerator door off center hinge.

**IMPORTANT:** To avoid damage to interior finish, remove buckets and shelves from freezer and refrigerator door before continuing door reversal. Lay door interior-side down on carpet, or a table or floor protected with blankets or towels.

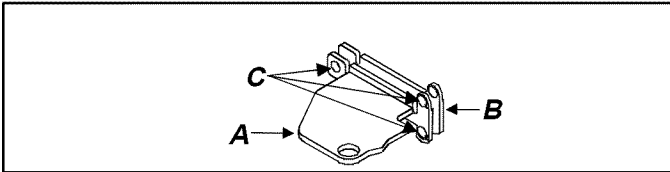
- While supporting freezer door, remove center hinge pin (A) from center hinge bracket (B) with  $\frac{9}{32}$ " hex nut driver. Remove and retain all round washer shims (C), if present.



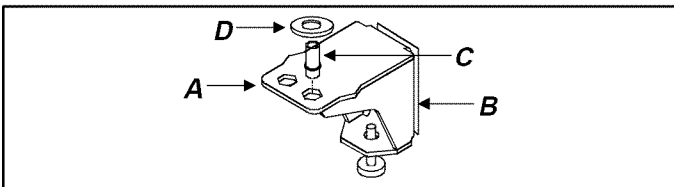
- Remove freezer door by lifting door off bottom hinge.
  - Models have an internal support rod (**A**) installed in the hinge socket of door. Remove and retain for later replacement.



- Remove center hinge bracket (**A**) and shim (**B**) by removing screws (**C**) using Phillips screwdriver.



- Remove toe grille and bottom hinge cover. Both snap off.
- Remove bottom hinge (**A**) and shim (**B**) with  $\frac{3}{8}$ " hex nut driver. Remove hinge pin (**C**). Remove and retain all round washer shims (**D**), if present.



### To Reverse Doors

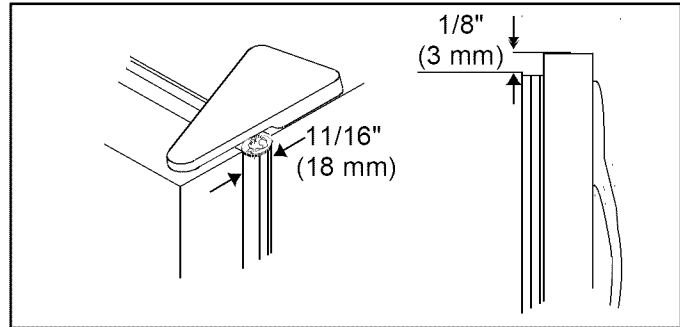
If you wish to reverse doors on unit, call 1-800-4-MY-HOME<sup>SM</sup> (1-800-469-4663), to schedule a service appointment. This visit will be free of charge if appointment is made within three months of purchase date.

### To Replace Doors

- Replace bottom hinge and shims. Replace bottom hinge pin in bottom hinge bracket in hole outside of cabinet, along with all washer shims retained from hinge removal.
- Replace center hinge bracket, and shims.
- Assemble top hinge, hinge shim(s), and positioning shim together. Attach loosely to cabinet to allow for door clearance.
- Place freezer door on bottom hinge pin.
- Replace center hinge pin with hex nut driver. Make sure fit is tight. Replace round shims and door closure.

- Tighten down top hinge. Use a dime at top to space door  $\frac{11}{16}$ " (18 mm) from cabinet.
- Handle side of door should be approximately  $\frac{1}{8}$ " (3 mm) higher than hinge side. **Door will become level when it is loaded with food.**

Note: If not proceeding with *Connect Ice Maker Water Supply Line*, continue with section entitled *Leveling Refrigerator*.



### Connect Ice Maker Supply Line

**⚠ WARNING**

To avoid electrical shock which can cause severe personal injury or death, disconnect power to refrigerator before connecting water supply. After connecting water supply, connect power.

**⚠ CAUTION**

Observe the following to avoid property damage:

- Verify that bypass cartridge has been removed and replaced with water filter in water filter assembly.
- Make sure water pressure to water valve is between 20 and 100 pounds per square inch.
- Tighten adapter fitting and nuts with pliers and wrenches. Do not overtighten.
- Check for water leaks and correct if necessary before returning refrigerator to normal location. After 24 hours check again for leaks.

### IMPORTANT

- Before connecting water supply, contact a plumber to connect copper tubing to household plumbing in compliance with local codes and ordinances.
- Do not use a piercing-type or  $\frac{3}{16}$ " saddle valve!** Both reduce water flow, become clogged with time and in addition, may cause leaks if repair is attempted. The correct type of shut-off valve requires a  $\frac{1}{4}$ " hole to be drilled in the water supply pipe before valve attachment.
- Do not install copper tubing in area where temperatures drop below 32°F (0°C).



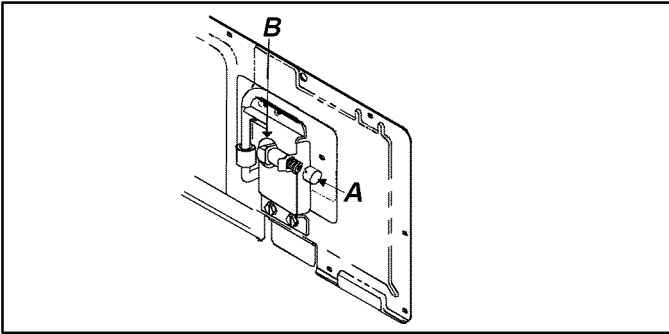
## Leveling Refrigerator

### Materials Required

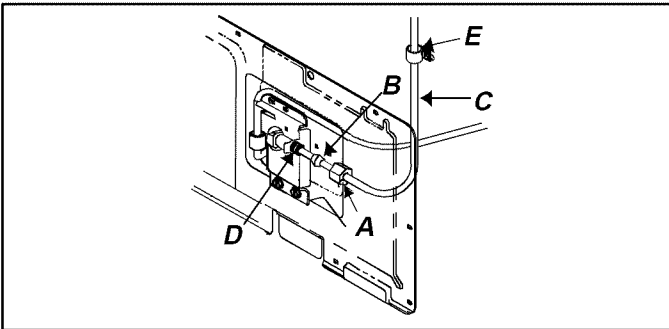
¼" O.D. (6 mm) flexible copper tubing is required. Length of copper tubing must reach from water supply connection to water valve inlet port on back of refrigerator, plus additional 8' (2 m) of tubing for a service loop. A service loop will allow refrigerator to be pulled away from the wall without disconnecting tubing.

### Procedure

1. Remove plastic cap(A) from water valve inlet port(B).



2. Place brass nut(A) and brass sleeve(B) on copper tubing(C) (Brass nut and sleeve are found in your literature packet). Insert copper tubing into water valve inlet port(D). Connect brass nut(A) on copper tubing(C) to water valve inlet port(D). Make sure copper tubing is secure by pulling on copper tubing.
3. Create a service loop using extreme care to avoid kinks. Secure copper tubing to refrigerator cabinet with a "P" clamp(E). It is important to secure copper tubing to refrigerator to avoid leaks when pushing refrigerator back into opening.



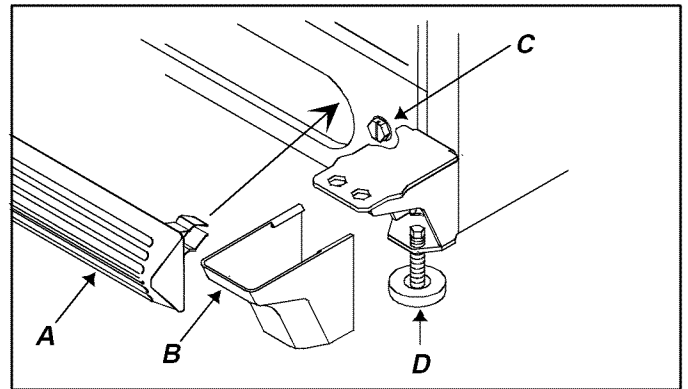
4. Turn on water supply to refrigerator and check for leaks. Correct any leaks at connection. Be careful not to overtighten connection.



### CAUTION

Protect soft vinyl or other flooring with cardboard, rugs or other protective material to avoid property damage.

1. Plug in power cord.
2. Move refrigerator into final location.
3. Level refrigerator using a level placed on top of the refrigerator.
  - Remove toe grille(A). Remove bottom hinge cover(B).
  - Turn roller adjustment screws(C) to the right to raise cabinet, or to the left to lower cabinet. Front of refrigerator must be ¼" (6 mm), or ½ bubble on your level, higher than the back of your refrigerator.
  - Make sure refrigerator cabinet is level from side to side by adjusting left and right roller adjustment screw.
  - Turn stabilizing leg(D) clockwise until firmly against floor.
4. Replace toe grille(A) and bottom hinge cover(B). See markings on inside of toe grille to insure proper placement.
  - **Snap top portion into place first.** Press down on lower part of grille until bottom portion snaps into place.



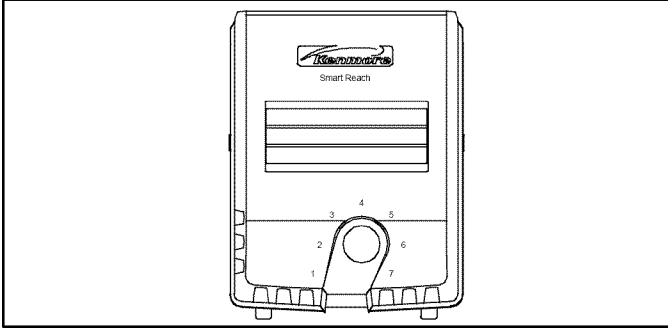
ENGLISH

## Controls

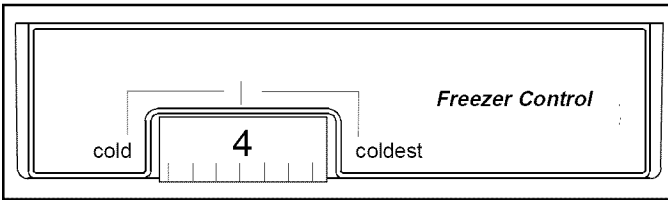
This refrigerator is designed to operate at normal household temperatures of 55° to 110°F (13° to 43°C).

### Refrigerator and Freezer Controls

Refrigerator control is located on upper rear wall of refrigerator section.



Freezer control is located on left front ceiling of freezer section.



### Setting Controls

When freezer control is set to OFF, neither refrigerator nor freezer sections will cool. Initially, set both controls to 4. Wait 24 hours for refrigerator and freezer sections to stabilize temperatures. After 24 hours, adjust controls, one number at a time, as desired. 1 is warmest setting and 7 is coldest.

Set controls precisely using a household thermometer with a temperature range between -5° to 50°F (-21° to 10°C).

Put thermometer snugly between frozen packages in freezer section. Wait 5–8 hours. If freezer temperature is not 0° to 2°F (-17° to -16°C), adjust freezer control 1 number at a time. Check again after 5–8 hours.

Put thermometer in a glass of water in middle of refrigerator section. Wait 5–8 hours. If refrigerator temperature is not 38° to 40°F (3° to 4°C), adjust refrigerator control 1 number at a time. Check again after 5–8 hours.

## Refrigerator Features

### Refrigerator Shelves

Shelves adjust to meet individual storage needs. Models feature spillproof shelves and slide out shelves. Spillproof shelves hold minor spills for easier cleaning.

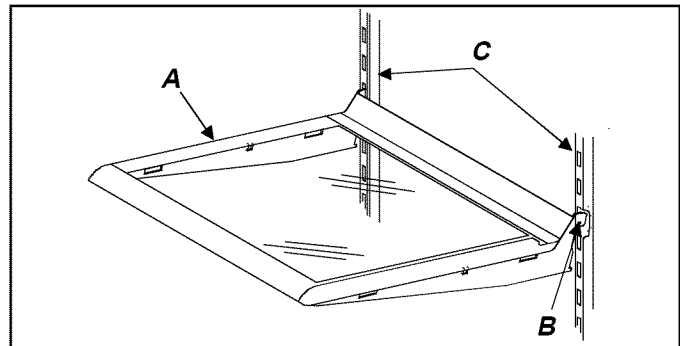
**⚠ CAUTION**

Make sure shelf is secure before replacing items on shelf to avoid property damage.

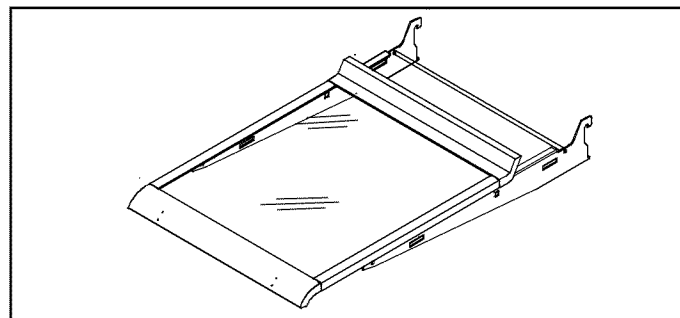
**⚠ CAUTION**

Handle tempered glass shelves carefully to avoid personal injury or property damage. Shelves may break suddenly if nicked, scratched, or exposed to sudden temperature change.

- Remove shelves (A) by lifting up shelf front, releasing hooks (B) from metal track (C), then pulling out.
- Replace shelves by inserting hooks (B) into metal track (C) and lowering front of shelf.



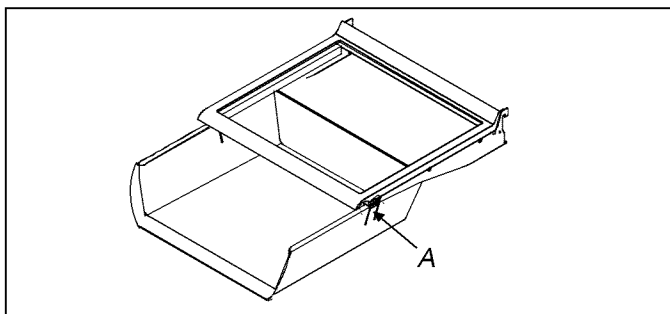
Slide out shelves pull forward for easy access of items in back.



### Deli Center

The Deli Center provides space saving storage underneath spillproof shelf and pulls forward for easy access.

- Remove drawer by pulling forward until drawer stops. Push tabs(A) on sides of drawer in and pull drawer forward.
- Replace drawer by inserting drawer into track and sliding back.



### Drawers

#### Humidity Controlled Crisper Drawer

The right drawer is humidity controlled. This drawer keeps produce fresh longer. Wrap produce tightly. Do not wash produce before placing in drawer. Excess moisture could cause produce to spoil prematurely. Do not line drawer with paper towels. Paper towels will retain moisture.

Humidity control is located below front shelf trim. Control adjusts humidity in drawer. Slide control to right for produce with leaves such as lettuce, spinach or cabbage. Slide control to left for produce with skins such as cauliflower, corn or tomatoes.

#### Temperature Controlled Drawer

The left drawer is temperature controlled. This drawer keeps food fresh longer and up to 5°F (3°C) colder than refrigerator temperature. Use this drawer for deli storage or additional produce storage.

Temperature control is located below front shelf trim. Control adjusts amount of air circulating around drawer. Slide control left for normal refrigerator temperature and right for colder temperature. Ice crystals may form on drawer or food on coldest setting. Cold air can decrease refrigerator temperature. Refrigerator control may need to be adjusted.

Remove shelf and drawers by completing the following steps.

1. Open left\* drawer.  
\*For doors hinged on left, open right drawer.

 **CAUTION**

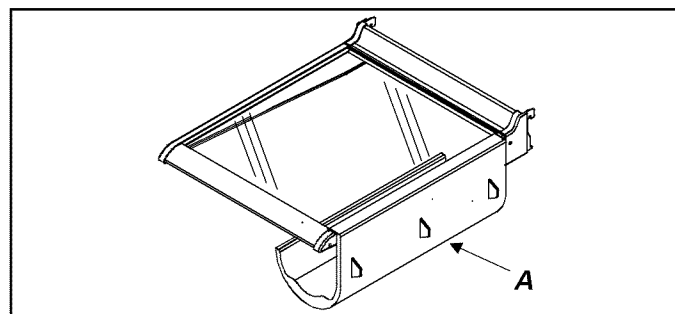
To avoid personal injury or property damage, handle tempered glass shelves carefully. Shelves may break suddenly if nicked, scratched, or exposed to sudden temperature change.

2. Remove glass crisper top by gently pushing up from underneath. Tilt one end up then pull out.

3. Remove left\* drawer by lifting front while supporting underneath then pulling out.  
\*For doors hinged on left, remove right drawer.
4. Remove support post at recess in bottom center of refrigerator section by lifting.
5. Remove other drawer by sliding to opposite wall. Lift front while supporting underneath then pull out.
6. Replace drawers and shelf by reversing steps 1–5.

### Bottle Rack

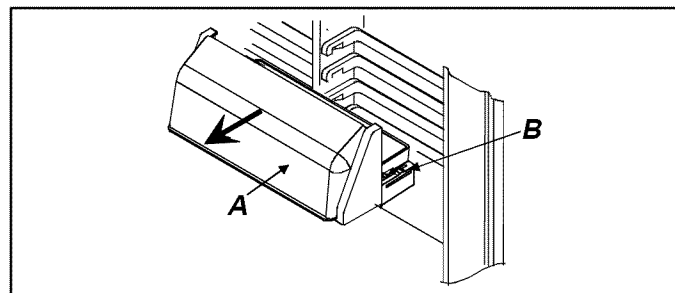
Bottle rack(A) provides convenient storage for a large bottle, eggs, etc.



### Dairy Compartment

Dairy compartment provide convenient storage for items such as butter, cheese, etc.

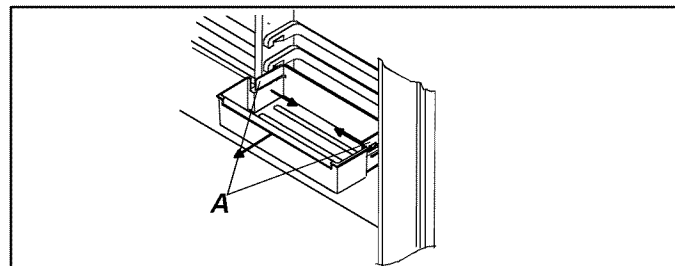
- Remove dairy compartment by lifting door(A), pushing tabs(B) toward center and pulling out.
- Replace dairy compartment by sliding in until tabs(B) lock into place and lowering door.



### Door Buckets

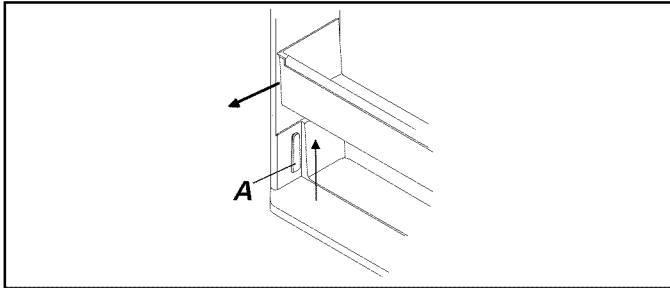
Door buckets adjust to meet individual storage needs.

- Remove door buckets by pushing tabs(A) toward center and pulling out.
- Replace door buckets by sliding in until tabs(A) lock into place.



## Door Shelf

- Remove door shelf by lifting ends and pulling out.
- Replace door shelf by placing shelf on glides(A) and sliding down.



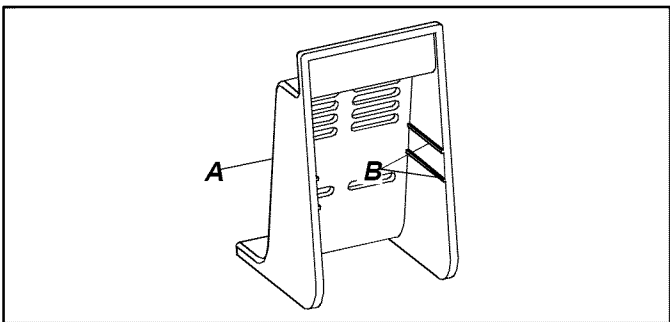
## Water Filtration System

- **Bypass cartridge must be removed before connecting water to unit.**
- Remove bypass cartridge from water filter head in rear right corner of refrigerator section. Twist cartridge left  $\frac{1}{4}$  turn and pull down to remove. Save bypass for use at a later date.
- See *Water Filtration System Installation and Operation Instructions* provided with water filter cartridge for filter installation and operation.

## Air Filtration Cartridge

Cartridge should be replaced every three months. Strong food odors (i.e. unwrapped onions, garlic, etc.) will shorten life of cartridge.

1. Locate air filtration assembly at air return of refrigeration cabinet. Filter holder(A) is attached to cabinet by Velcro® strip. Pull holder off cabinet wall.
2. Insert filter by sliding into grooves(B).



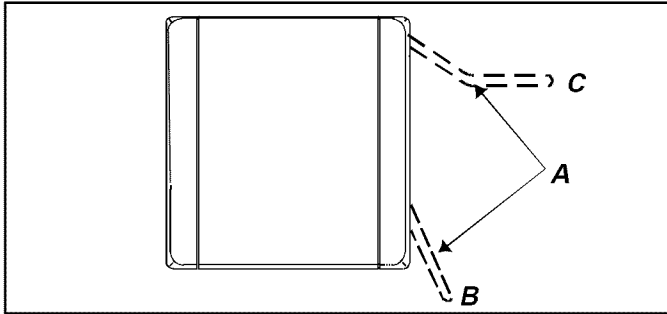
# Freezer Features

## Frost-Free System

The refrigerator and freezer sections are completely frost-free. Defrosting is automatic under normal conditions. Refrigerator and freezer sections never have to be defrosted.

## Automatic Ice Maker

- Make sure ice bucket is in place and ice maker arm **(A)** is down **(B)**.



- After freezer section reaches normal temperature, the ice maker fills with water and begins operating. Allow 24–48 hours after installation before first harvest of ice. Ice maker produces 7 to 9 harvests of ice in a 24-hour period under ideal conditions.
- After ice is formed, ice maker drops ice cubes into ice storage bucket. During ice production, ice maker arm raises and lowers. When ice storage bucket is full, ice maker arm **(A)** turns ice maker off **(C)**.

**Note:** Discard first 3 harvests of ice so any impurities left in the water line after installation are not consumed.

- If you wish to stop automatic ice production lift ice maker arm **(A)**. A definite click is heard when proper position is reached. Ice maker arm will remain in that position until pushed down.



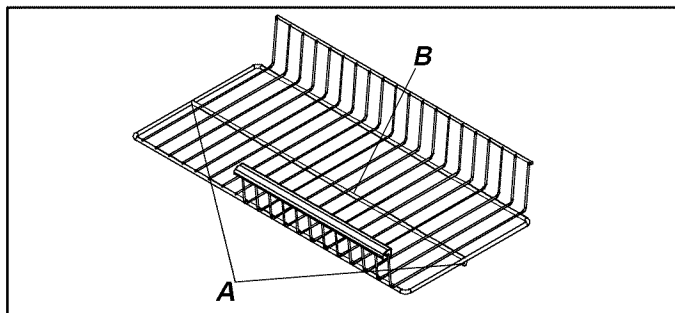
### CAUTION

Make sure shelf is secure before placing items on shelf to avoid property damage.

## Slideout Shelf

Slide out shelf pulls forward for easy access to items in back.

- Remove slideout shelf by sliding forward until ball point **(A)** beneath center rail **(B)** catches in molding groove.
- Grasp shelf by center rail **(B)**, pull up, and remove.
- Slide in until ball point **(A)** falls into molding groove.



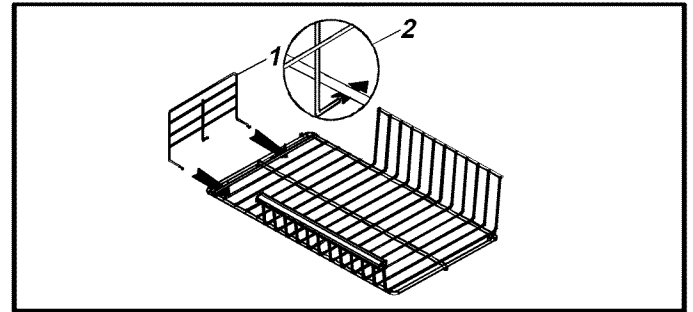
## Vertical Shelf Divider

Install vertical shelf divider by completing the following steps:

1. Slide prongs of shelf divider beneath desired grill work, slightly off-center from center rail.
2. Press top of divider down and slide hook assembly beneath center rail.

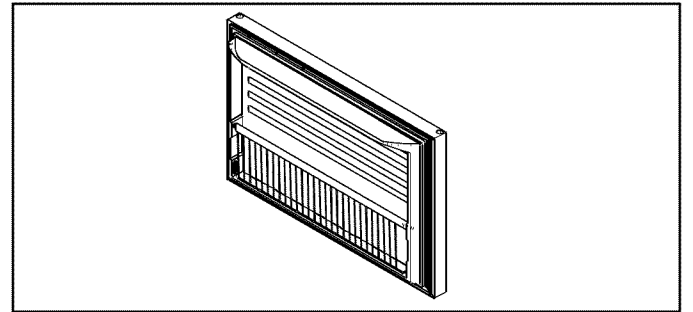
To remove divider:

- Press top of divider down and slide hook out from under center rail.
- Pull back on divider to release prongs from grill work.



## Tilt-Out Bin

The tilt-out bin provides convenient storage for frozen food items in freezer door and tilts forward for easy access of those items.



## Care and Cleaning



### WARNING

Disconnect power to refrigerator before cleaning to avoid electrical shock which can cause severe personal injury or death. After cleaning, restore power.



### CAUTION

Read and follow all manufacturer's cleaning directions to avoid personal injury or property damage.

### General Cleaning

*See section on Stainless Steel Cleaning if doors are stainless steel.*

1. Wash surfaces with 4 tablespoons baking soda dissolved in 1 quart warm water and a soft, clean cloth.
  - To clean Velcro® strips, use warm soapy water and a soft clean cloth or brush.
2. Rinse surfaces with warm water. Dry surfaces with a soft, clean cloth.
  - Do not use the following items:
    - abrasive or harsh cleaners, ammonia, chlorine bleach, etc.
    - concentrated detergents or solvents
    - metal scouring padsThese items can scratch, crack and discolor surfaces.
  - Do not place buckets, shelves, etc. in dishwasher.

### Stainless Steel Cleaning

**Damage to stainless steel finish due to improper use of cleaning products, or using non-recommended cleaning products, is not covered under warranty.**

1. Wash surfaces with warm soapy water and a soft, clean cloth or sponge.
2. Rinse surfaces with warm water. Dry surfaces with a soft, clean cloth.
  - Do not use the following harsh cleaners:
    - abrasive or acidic cleaners (ammonia, chlorine bleach, vinegar-based product, etc.)
    - citrus-based cleaners
    - scouring pads (metal, textured plastic, etc.)These items can scratch, discolor, or permanently tarnish surfaces.
3. Follow up rinsing by immediately drying with a soft, clean cloth. This will avoid water spotting on stainless steel finish.

### Adhesives

1. Remove adhesive residue from refrigerator surfaces by rubbing toothpaste into adhesive with fingers until adhesive loosens.
2. Rinse surface with warm water. Dry surface with a soft, clean cloth.

### Door Gaskets

1. Clean door gaskets every 3 months according to General Cleaning instructions. Clean any spills immediately.

### Condenser Coil

Clean condenser coil behind toe grille every 3 months to ensure maximum performance of refrigerator.

Accumulated dust and lint may cause the following:

- reduced cooling performance
  - increased energy usage
  - premature part failure
1. Remove toe grille by holding ends and pulling away from refrigerator.
  2. Clean front surface of condenser coil with a vacuum cleaner hose nozzle.
  3. Replace toe grille by inserting clips in holes and snapping in.
  4. Raise stabilizing legs by turning counterclockwise.

### Glass Shelves



### CAUTION

Handle tempered glass shelves carefully to avoid personal injury or property damage. Shelves may break suddenly if nicked, scratched, or exposed to sudden temperature change.

Remove shelf by lifting front, releasing hooks from metal track then pulling out. Place shelf on a towel. Allow shelf to adjust to room temperature before cleaning.

Clean crevices by completing the following:

1. Dilute mild detergent and brush solution into crevices using a plastic bristle brush. Let sit for 5 minutes.
2. Spray warm water into crevices using faucet spray attachment.
3. Dry shelf thoroughly and replace shelf by inserting hooks into metal track and lowering it from the front.

### Odor Removal

1. Remove all food and disconnect power to refrigerator.
2. Clean all interior surfaces including ceiling, floor, and walls according to General Cleaning instructions. Pay special attention to corners, crevices, and grooves. Include all drawers, shelves, and gaskets.
3. Connect power to refrigerator and return food to refrigerator. Wash and dry all containers. Wrap foods in tightly sealed containers to prevent further odor. After 24 hours, check if odor has been eliminated.

Complete steps 4–9 if odor has not been eliminated.

4. Place crispers on top shelf of refrigerator section. Pack refrigerator and freezer sections, including doors, with crumpled sheets of newspaper.
5. Place charcoal briquettes randomly throughout newspaper.
6. Close doors and let stand 24–48 hours.
7. Remove charcoal briquettes and newspapers.
8. Complete steps 2–3.

If odor is still not eliminated, contact a Sears Service Center.

## Energy Tips

### Light Bulbs

#### **WARNING**

To avoid electrical shock which can cause severe personal injury or death, disconnect power to refrigerator before replacing light bulb. After replacing light bulb, connect power.

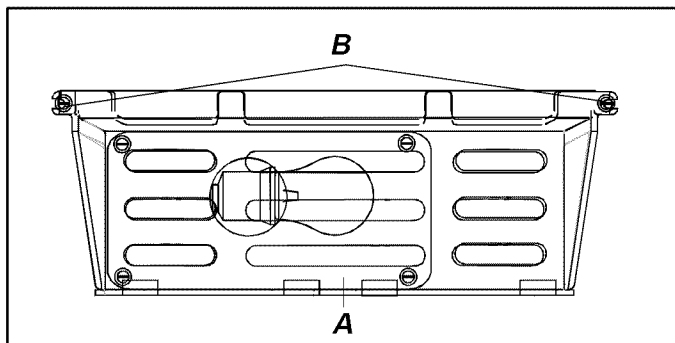
#### **CAUTION**

To avoid personal injury or property damage, observe the following:

- Allow light bulb to cool.
- Wear gloves when replacing light bulb.

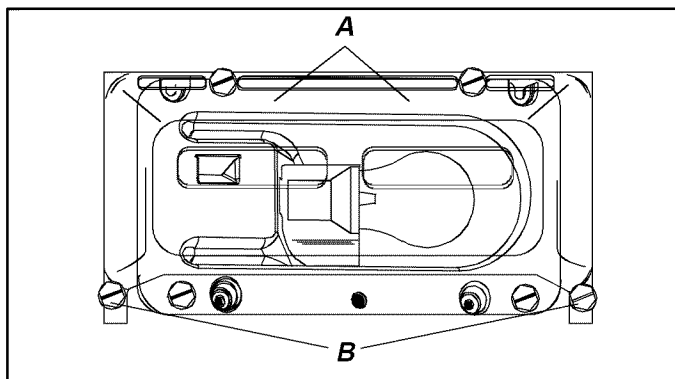
### Refrigerator Light

- Remove light bulb cover (A) by removing ¼" hex nut screws (B). **Replace with appliance bulb no greater than 60 watts.**
- Replace light bulb cover (A) by replacing ¼" hex nut screws (B).



### Freezer Light

- Remove light bulb cover (A) by removing ¼" hex nut screws (B). **Replace with appliance bulb no greater than 60 watts.**
- Replace light bulb cover (A) by replacing ¼" hex nut screws (B).



- Operate in normal household temperatures of 55° to 110°F (13°C to 43°C) away from heat sources and direct sunlight.
- Set refrigerator, freezer, and drawer controls no colder than necessary.
- Keep freezer section full.
- Keep door gaskets clean and pliable. Replace gaskets if worn.
- Keep condenser coils clean.

## Vacation Tips

Complete the following steps for short vacations.

1. Remove perishable foods. **Warranty does not cover food loss.** Check warranty certificate for specific coverage.
2. Move ice maker arm to off position.

Complete the following steps for long vacations.

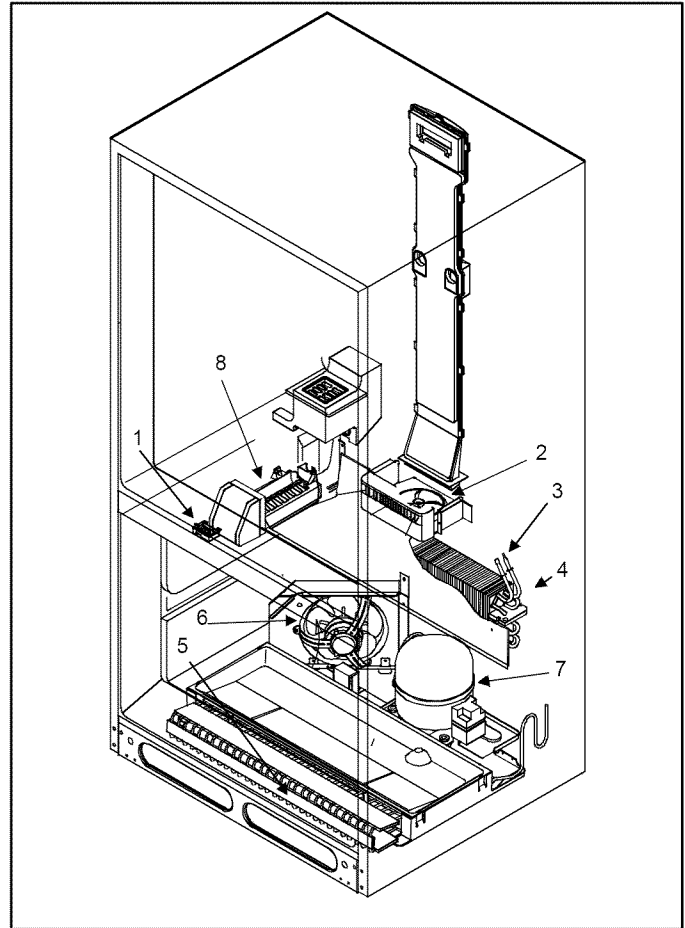
1. Empty refrigerator and freezer sections.
2. Unplug refrigerator.
3. Clean refrigerator and door gaskets according to *General* instructions in *Care and Cleaning* section.
4. Prop doors open, so air can circulate inside.
5. Turn water supply to refrigerator off and move ice maker arm to off position.

## Normal Operating Sounds

This new refrigerator may be replacing a differently designed, less efficient or smaller refrigerator. Today's refrigerators have new features and are more energy efficient. As a result, certain sounds may be unfamiliar. These sounds are normal and will soon become familiar. These sounds also indicate refrigerator is operating and performing as designed.

1. **Freezer control** clicks when starting or stopping compressor.
2. **Freezer fan** air rushes and whirs.
3. **Sealed system** (evaporator and heat exchanger) refrigerant flow gurgles, pops or sounds like boiling water.
4. **Defrost heater** sizzles, hisses or pops.
5. **Defrost timer** sounds like an electric clock and snaps in and out of defrost cycle.
6. **Condenser fan** air rushes and whirs.
7. **Compressor** has a high pitched hum or pulsating sound.
8. **Ice cubes** from ice maker drop into ice bucket.  
**Ice maker water valve hookup** buzzes when ice maker fills with water. This occurs whether or not refrigerator is connected to water supply. If refrigerator is not connected to water supply, stop sound by raising ice maker arm to off position.

**Note:** Foam insulation is very energy efficient and has excellent insulating capabilities. However, foam insulation is not as sound absorbent as previously used fiberglass insulation.



## Before Calling For Service

Problem	Solution
Refrigerator does not operate.	<ul style="list-style-type: none"> <li>• Make sure freezer control is on.</li> <li>• Make sure refrigerator is plugged in. If not, firmly plug the cord into a live outlet with proper voltage.</li> <li>• Check fuse or circuit breaker. Plug in another item at that wall outlet. If outlet does not work, replace the fuse or reset the circuit.</li> <li>• If freezer control is on, light works but 2 fans and compressor are not operating, refrigerator may be in defrost cycle. Wait 40 minutes to see if refrigerator restarts.</li> </ul>
Refrigerator still will not operate.	<ul style="list-style-type: none"> <li>• Unplug refrigerator. Transfer food to another refrigerator or place dry ice in freezer section to preserve food. Call for service.</li> </ul>
Food temperature appears too warm.	<ul style="list-style-type: none"> <li>• See above sections.</li> <li>• Allow time for recently added warm food to reach refrigerator or freezer temperature. Adding food warms the refrigerator. It can take a few hours for the refrigerator to return to normal temperature.</li> <li>• Check gaskets for proper seal. Gaskets should seal tightly to cabinet.</li> <li>• Clean condenser coils. See “Condenser Coils” instructions in “Care and Cleaning” section.</li> <li>• Adjust refrigerator and/or freezer control. See “Setting Controls” instructions in “Controls” section.</li> <li>• Freezer or refrigerator light stays on. If light stays on, call service.</li> <li>• Return air vents behind crisper are blocked restricting airflow. Locate return air vent behind crispers and remove any debris that blocks vents or restricts airflow.</li> </ul>
Food temperature is too cold.	<ul style="list-style-type: none"> <li>• Clean condenser coils. See “Condenser Coils” instructions in “Care and Cleaning” section.</li> <li>• Adjust refrigerator control. See “Setting Controls” instructions in “Controls” section.</li> <li>• Adjust freezer control to warmer setting. See “Setting Controls” instructions in “Controls” section. Allow several hours for temperature to adjust.</li> </ul>
Refrigerator runs too frequently.	<ul style="list-style-type: none"> <li>• It may be normal to maintain constant temperature.</li> <li>• Doors have been opened frequently or for an extended period of time. When the door is opened warm humid air is allowed into the refrigerator. The more the door is opened the more warm air the refrigerator must cool.</li> <li>• Allow time for recently added warm food to reach refrigerator or freezer temperature. It can take a few hours for the refrigerator to return to normal temperature.</li> <li>• Clean condenser coils. See “Condenser Coils” instructions in “Care and Cleaning” section.</li> <li>• Adjust freezer control. See “Setting Controls” instructions in “Controls” section.</li> <li>• Check gaskets for proper seal. Gaskets should seal tightly to cabinet.</li> <li>• Freezer light stays on. If light stays on, call service.</li> <li>• Make sure refrigerator is level. See “Leveling Refrigerator” section of Installation Instructions.</li> </ul>
Water droplets form on inside of refrigerator.	<ul style="list-style-type: none"> <li>• It is normal during high humidity periods or if doors have been opened frequently.</li> <li>• Wrap food tightly and wipe off damp containers prior to storing in the refrigerator to avoid moisture accumulation.</li> </ul>
Water droplets form on outside of refrigerator.	<ul style="list-style-type: none"> <li>• Check door seals for proper seal. Gaskets should seal tightly to cabinet.</li> <li>• It is normal during high humidity periods or if doors have been opened frequently.</li> </ul>

## Before Calling For Service

Problem	Solution
Deli center or crisper drawer does not close freely.	<ul style="list-style-type: none"> <li>• Check for a package that may prevent drawer from closing properly.</li> <li>• Confirm drawer is in proper position.</li> <li>• Clean drawer channels with warm, soapy water. Rinse and dry thoroughly.</li> <li>• Apply a thin layer of petroleum jelly to drawer channels.</li> <li>• Confirm refrigerator is level.</li> </ul>
Refrigerator has an odor.	<ul style="list-style-type: none"> <li>• See “Odor Removal” instructions in “Care and Cleaning” section.</li> <li>• Air filter cartridge may need changing. See “Air Filter” section for instructions.</li> </ul>
Refrigerator makes unfamiliar sounds or seems too loud.	<ul style="list-style-type: none"> <li>• It may be normal. See “Normal Operating Sounds” section.</li> </ul>
Ice cubes have an odor.	<ul style="list-style-type: none"> <li>• See “Odor Removal” instructions in “Care and Cleaning” section.</li> <li>• Ice maker (some models) was recently installed. Discard first few batches of ice to avoid discolored or off-flavored ice.</li> <li>• Food has not been wrapped tightly in either refrigerator or freezer compartment. Rewrap foods since odors may migrate to the ice if food is not wrapped properly.</li> <li>• Discard ice and clean ice bucket or trays more frequently. Ice cubes are porous and absorb odors easily.</li> <li>• Water supply contains minerals such as sulfur. In some situations a filter may need to be installed to eliminate taste and odor problems.</li> </ul>
Ice cubes stick together or “shrink”.	<ul style="list-style-type: none"> <li>• Empty ice cube bucket or trays more frequently. If used infrequently, ice cubes may stick together or shrink.</li> </ul>
Ice maker (some models) is not producing ice.	<ul style="list-style-type: none"> <li>• Water pressure may be too low or high. Ice maker requires a water pressure of 20-100 psi to function properly.</li> <li>• Confirm ice maker arm is down. See “Automatic Ice Maker” section.</li> <li>• Confirm household water supply is reaching water valve. Make sure the water valve shut off is fully turned on.</li> <li>• Piercing type or <math>\frac{3}{16}</math>” saddle valve was used for hookup. Both reduce water flow and may become clogged with time. Replace these valves with correct type of saddle valve requiring <math>\frac{1}{4}</math>” hole to be drilled in water supply pipe prior to valve attachment.</li> <li>• Confirm ice maker wiring harness is inserted completely in proper holes.</li> <li>• Check for kinks in copper or plastic tubing. Remove kinks or replace tubing.</li> <li>• Check electrical connections to water valve coil and connector block on refrigerator cabinet.</li> <li>• If a water filter has been installed on the water line outside the refrigerator, check the filter for clogs or improper installation of the filter.</li> </ul>
Ice maker (some models) is not producing enough ice.	<ul style="list-style-type: none"> <li>• Ice maker has just recently been installed or a large amount of ice has just been used. Wait 24 hours for ice production to begin and for ice maker to restock after emptied.</li> <li>• Confirm household water supply is reaching water valve. Make sure the water valve shut off is fully turned on.</li> <li>• Piercing type or <math>\frac{3}{16}</math>” saddle valve was used for hookup. Both reduce water flow and may become clogged with time. Replace these valves with correct type of saddle valve requiring <math>\frac{1}{4}</math>” hole to be drilled in water supply pipe prior to valve attachment.</li> <li>• Check for kinks in copper or plastic tubing. Remove kinks or replace tubing.</li> <li>• Confirm freezer section is operating at proper temperature. Freezer must be cold enough to produce ice. See “Setting Controls” section.</li> </ul>
Ice forms in inlet tube to ice maker (some models).	<ul style="list-style-type: none"> <li>• Check water pressure. Low water pressure causes valves to leak.</li> <li>• Piercing type or <math>\frac{3}{16}</math>” saddle valve was used for hookup. Both reduce water flow and may become clogged with time. Replace these valves with correct type of saddle valve requiring <math>\frac{1}{4}</math>” hole to be drilled in water supply pipe prior to valve attachment.</li> </ul>

## Requerimientos eléctricos



Reconozca este símbolo como precaución de seguridad.

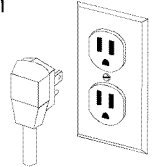


### ADVERTENCIA

No corte ni elimine, bajo ninguna circunstancia, la punta redonda de conexión a tierra del enchufe. El refrigerador debe estar conectado a tierra en todo momento. No quite el rótulo de advertencia del cordón eléctrico.

**No utilice un adaptador de dos puntas. No utilice un cable de extensión.**

Instrucciones para conexión a tierra — Este refrigerador está equipado con un enchufe de tres puntas (para conexión a tierra) para proveer protección contra posibles riesgos de descargas eléctricas. Si tiene un tomacorriente de dos orificios, comuníquese con un electricista calificado para que reemplace este tomacorriente de pared de dos orificios por otro de tres orificios correctamente conectado a tierra, en conformidad con el Código Eléctrico Nacional.



Este refrigerador ha sido diseñado para que funcione con una línea separada de 103 a 126 voltios, 15 amperios y 60 ciclos.



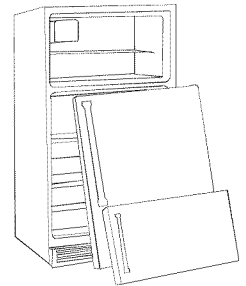
### PELIGRO

#### Forma apropiada de desechar su refrigerador

**IMPORTANTE:** Los niños atrapados y asfixiados en refrigeradores no es cosa del pasado. Los refrigeradores que se arrumban o abandonan, aun cuando sea por “solo unos cuantos días”, continúan siendo un peligro. Si desecha un refrigerador viejo, sírvase seguir las siguientes instrucciones para ayudar a prevenir un accidente.

#### ANTES DE TIRAR SU REFRIGERADOR O CONGELADOR VIEJO:

- **Quítele las puertas.**
- **Déjele las repisas puestas para que los niños no puedan meterse fácilmente.**



## Garantía

#### Garantía completa de un año en el refrigerador

Por un año a partir de la fecha de compra, cuando a este refrigerador se le da el funcionamiento y el mantenimiento indicados en las instrucciones adjuntas o proporcionadas con él, Sears reparará este refrigerador, sin cargo alguno, por defectos de fabricación y materiales.

#### Garantía completa de cinco años en el sistema de refrigeración sellado

Por cinco años a partir de la fecha de compra, cuando a este refrigerador se le da el funcionamiento y el mantenimiento indicados en las instrucciones adjuntas o proporcionadas con el, Sears reparará el sistema sellado (que consiste del refrigerador, tubería de conexión y motor del compresor) sin cargo alguno, por defectos de fabricación y materiales.

La cobertura de garantía anterior se aplica sólo a los refrigeradores que se usan para almacenar alimentos en hogares particulares. Excluye el cartucho original y el de reemplazo del filtro de agua y hielo Kenmore. El cartucho original y el de reemplazo están garantizados por 30 días (piezas solamente).

El servicio de garantía está a su disposición comunicándose al 1-800-4-MY-HOME (469-4663).

Esta garantía se aplica solamente mientras este producto se use en los Estados Unidos.

Esta garantía otorga derechos legales específicos y usted puede tener también otros derechos, los cuales pueden variar en distintos estados.

Sears, Roebuck y Co., Depto. 817WA, Hoffman Estates, IL 60179 EE.U.U.

## Lea y conserve estas instrucciones

Registre el número de modelo y de serie en el espacio que se proporciona más adelante 31; estos números se encuentran localizados en la placa de serie en la pared superior izquierda del compartimiento del refrigerador.

Número de modelo: 596 \_\_\_\_\_

Número de serie: \_\_\_\_\_

Fecha de compra: \_\_\_\_\_

## Contenido

Requerimientos eléctricos .....	15
Forma apropiada de desechar su refrigerador .....	15
Garantía .....	15
Lea y conserve estas instrucciones .....	15
Requerimientos de espacio .....	16
Instrucciones para la instalación .....	16
Remoción de las puertas .....	16
Para invertir las puertas .....	17
Colocación de nuevo de las puertas .....	17
Conexión para línea de suministro de agua de la máquina de hielos .....	18
Para nivelar el refrigerador .....	19
Controles .....	19
Controles de alimentos frescos y del congelador .....	19
Ajuste de los controles .....	19
Características de la sección de alimentos frescos .....	20
Repisas que contienen los derrames menores .....	20
Centro de embutidos (Deli Center) .....	20
Cajones .....	20
Compartimiento para botellas (en algunos modelos) .....	21
Centros para productos lácteos .....	21
Compartimientos de la puerta .....	21
Repisa de la puerta .....	21
Instalación del cartucho de filtración de agua .....	22
Instalación del cartucho de filtración de aire .....	22
Características del congelador .....	23
Sistema sin escarcha(Frost-Free) .....	23
Máquina de hielo automática .....	23
Repisa deslizable .....	23
Separador vertical de repisa .....	23
Gaveta inclinable .....	23
Cuidado y limpieza .....	24
Generalidades .....	24
Limpieza del acero inoxidable .....	24
Adhesivos .....	24
Empaques de la puerta .....	24
Serpentin del condensador .....	24
Repisas de vidrio .....	24
Eliminación de olores .....	24
Reemplazo de focos .....	25
Sugerencias para conservar energía .....	25
Sugerencias para las vacaciones .....	25
Ruidos del funcionamiento normal .....	26
Antes de llamar para solicitar servicio .....	27

**Nota:** La traducción algunas veces puede causar variaciones en el significado. En todos los casos cuando el significado varíe, el más preciso será el de la versión en inglés de este documento.

## Requerimientos de espacio

### ADVERTENCIA

Mantenga los materiales y los vapores inflamables, como gasolina, lejos del refrigerador. El no hacerlo puede causar como resultado la muerte, una explosión, un incendio o quemaduras.

- Para asegurar la ventilación apropiada del refrigerador, deje un espacio de 1" (2.5 cm) en la parte superior del refrigerador.

- Si su refrigerador tiene una máquina para hacer hielo, asegúrese de dejar espacio adicional en la parte posterior para la conexión de la línea de agua. El refrigerador puede estar al ras con la pared posterior si no instala una máquina para hacer hielo.
- Si se instala el refrigerador junto a una pared fija, deje un espacio de 2 ½" (6.35 cm) en cada lado (dependiendo del modelo) para permitir que las puertas se abran 90°.

**NOTA:** No instale el refrigerador junto a un horno, radiador u otra fuente de calor, ni en un área donde la temperatura bajará a menos de 55° F (13° C).

## Instrucciones para la instalación

La instalación correcta del refrigerador asegurará el funcionamiento más eficiente.

### Herramientas necesarias

- Espátula (la hoja cubierta con cinta adhesiva)
- Desarmador hexagonal de tuercas de 9/32"
- Desarmador hexagonal de tuercas de 5/16"
- Desarmador hexagonal de tuercas de 3/8"
- Desarmador Phillips

### IMPORTANTE:

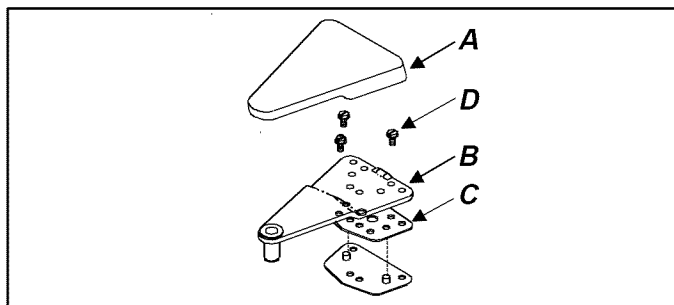
- Conserve todos los tornillos para volver a usuarios.
- Para quitar el tapón use **la hoja de una espátula cubierta con cinta protectora masking para evitar dañar el acabado del refrigerador**. Para los tapones que usan un destornillador o una llave para tuercas, use la herramienta apropiada para evitar dañar los tapones.

## Remoción de las puertas

### ADVERTENCIA

Desconecte la corriente eléctrica del refrigerador antes de quitar las puertas para evitar descargas eléctricas que pueden causar lesiones personales graves o la muerte. Después de volver a colocar las puertas conecte la corriente eléctrica.

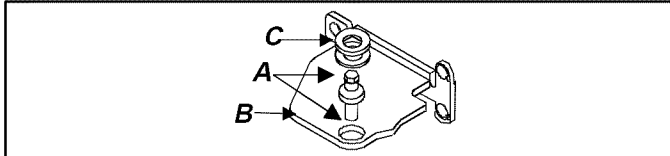
1. Quite la cubierta de la bisagra superior (**A**). La cubierta de la bisagra superior se saca de golpe. Mientras sostiene la puerta del refrigerador, quite la bisagra superior (**B**) y el adorno (**C**) usando una llave para tuercas hexagonales de 5/16" para quitar los tornillos (**D**).



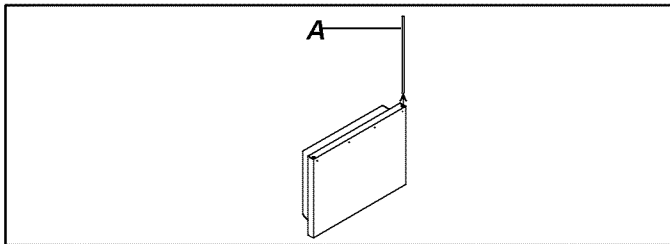
2. Levante y saque la puerta de la bisagra central de la puerta.

**IMPORTANTE:** Para evitar daños al acabado interior, quite los recipientes y las repisas de la puerta del congelador y del refrigerador. Coloque las puertas con la parte interior hacia abajo en la alfombra o sobre una mesa o el piso protegidos con colchas o toallas.

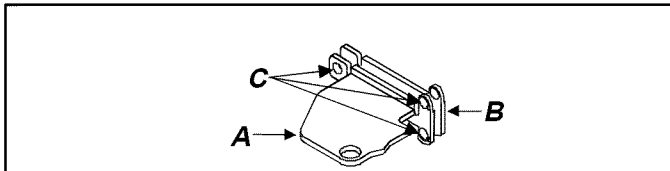
- Mientras sostiene la puerta del congelador, quite el pasador de la bisagra central (**A**) del soporte de la bisagra central (**B**) con una llave para tuercas hexagonales de  $\frac{9}{32}$ ". Quite y conserve todos los espaciadores de las arandelas redondas (**C**), si hay alguna.



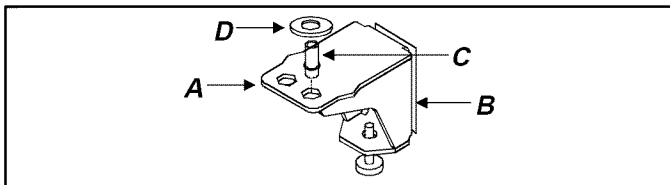
- Quite la puerta del congelador levantádola y sacándola de la bisagra inferior.
  - Los modelos tienen una varilla interna de soporte (**A**) instalada en el manguito de la bisagra de la puerta. Quítela y consérvela para reemplazarla más adelante.



- Quite el soporte de la bisagra central (**A**) y el espaciador (**B**) quitando los tornillos (**C**) con el destornillador Phillips.



- Quite la parilla inferior y la cubierta de la bisagra inferior.
- Quite la bisagra inferior (**A**) y espaciador (**B**) con la llave para tuercas hexagonales  $\frac{3}{8}$ ". Quite el pasador de la bisagra inferior (**C**). Quite y conserve todos los espaciadores de las arandelas redondas (**D**), si hay alguna.



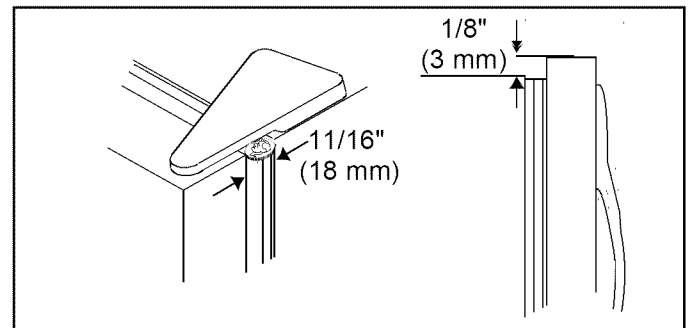
## Para invertir las puertas

Se desea invertir la posición de las puertas de la unidad llame al teléfono 1-800-676-5811, para programar una visita de servicio. Esta visita será gratuita si la cita se programa durante un lapso de tres meses a partir de la fecha de compra.

## Colocación de nuevo de las puertas

- Instale la bisagra inferior y los espaciadores. Instale el pasador de la bisagra inferior en el soporte de la bisagra inferior en el orificio afuera del bisagra. Reemplace los espaciadores de las arandelas redondas, si hay alguna.
- Vuelva a colocar el soporte de la bisagra central y los espaciadores.
- Ensamble la bisagra superior, las cuñas de la bisagra y acomode las cuñas. Deje espacio suficiente para deslizar el lado de la bisagra de la puerta del refrigerador en su lugar.
- Cuelgue la puerta del congelador sobre el pasador de la bisagra inferior.
- Instale el pasador de la bisagra central con un desarmador hexagonal de tuercas. Asegure se que el ajuste quede firmemente. Vuelva a colocar las cuñas redondas.
- Asegure se que el ajuste sostenga la puerta firmemente. Use una moneda pequeña encima para separar la puerta  $\frac{1}{16}$ " (18 mm) del gabinete.
- El lado del asa de la puerta debe estar aproximadamente a  $\frac{1}{8}$ " (3 mm) más alto que el lado de la bisagra. **La puerta se nivelará cuando se cargue con alimentos.**

Note: Si no va a continuar con *Conexión de la Línea de Suministro de Agua a la Máquina de Hielos*, continúe con la sección titulada *Nivelación del Refrigerador*.



## Conexión para línea de suministro de agua de la máquina de helos

### PRECAUCIÓN

Para evitar daños materiales, proteja el piso vinílico suave o de otro tipo con cartones, alfombras u otros materiales protectores cuando mueva el refrigerador. Asegúrese de que la pata estabilizadora está levantada antes de mover el refrigerador, levántela girándola en dirección contraria a las manecillas del reloj.

### PRECAUCIÓN

Acate los puntos siguientes para evitar daños materiales:

- Quite el cartucho de derivación antes de conectar el suministro de agua a la unidad.
- Compruebe que la presión del agua en la válvula de agua esté entre 20 y 120 libras por pulgada cuadrada.
- Apriete la conexión y las tuercas del adaptador con unas pinzas y con una llave de tuercas. No lo apriete de más.
- Revise si hay goteras de agua y arréguelas si es necesario antes de volver a colocar el refrigerador en su lugar. Después de 24 horas revise nuevamente si hay goteras.

### Importante

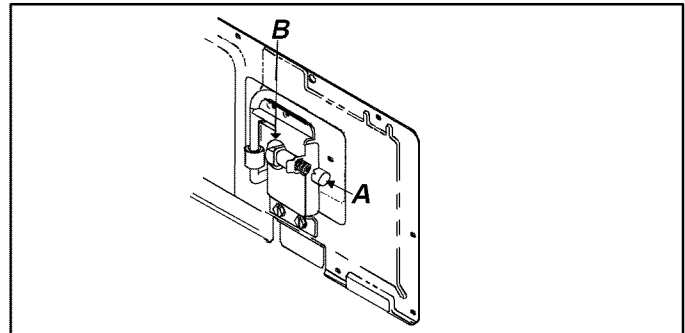
- Antes de conectar el suministro de agua, comuníquese con un plomero para que conecte la tubería de cobre a la plomería de la casa en conformidad con los códigos y reglamentos locales.
- **¡No utilice una válvula de sillín de  $\frac{3}{16}$ " ni de perforación!** Ambas reducen el flujo del agua, con el tiempo se obstruyen y además pueden causar goteras si trata de repararlas. El tipo correcto de válvula de cierre requiere que se haga un orificio de  $\frac{1}{4}$ " (6 mm) en la tubería del suministro de agua antes de conectar la válvula. Sears no es responsable por daños materiales causados por una conexión de agua inapropiada.

### Materiales necesarios

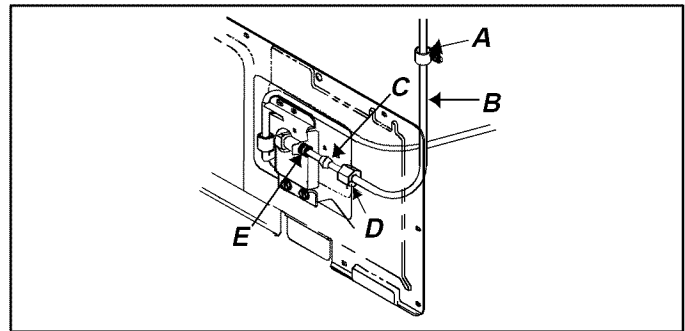
Se requiere tubería de cobre flexible de  $\frac{1}{4}$ " (6 mm). La longitud de la tubería de cobre debe alcanzar desde la conexión del suministro de agua hasta la lumbrera de entrada de la válvula de agua en la parte trasera del refrigerador, además se necesitan 8 pies (2 m) adicionales de tubería para un lazo de servicio. El lazo de servicio permitirá que el refrigerador se pueda separar de la pared sin desconectar la tubería.

### Procedimiento

1. Quite la tapa de plástico (A) de la lumbrera de entrada de la válvula de agua (B).



2. Coloque la tuerca y la manga de bronce (C) en la tubería de cobre (B). (La tuerca y la manga de bronce se encuentran en el paquete de información.) Introduzca la tubería de cobre en la lumbrera de entrada de la válvula de agua (E). Conecte la tuerca de bronce (D) en la tubería de cobre en la lumbrera de entrada de la válvula de agua. Compruebe que la tubería de cobre esté bien segura tirando de ella ligeramente.
3. Haga un lazo de servicio con extremado cuidado para evitar dobleces. Asegure la tubería de cobre al gabinete del refrigerador con una abrazadera "P" (A).



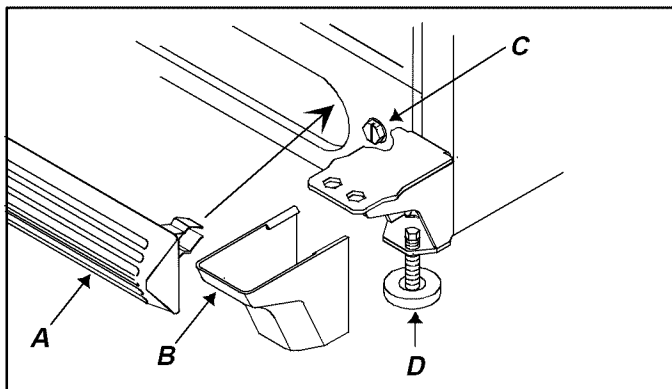
4. Abra el suministro de agua que va al refrigerador y revise posibles goteras. Repare las goteras cuando lo conecte. Tenga cuidado de no apretar demasiado la conexión.

## Para nivelar el refrigerador

### PRECAUCIÓN

Para evitar daños materiales, proteja el piso vinílico suave o de otro tipo con cartones, alfombras u otros materiales protectores cuando mueva el refrigerador. Asegúrese de que la pata estabilizador, levántela girándola en dirección contraria a las manecillas del reloj.

1. Enchufe el cordón eléctrico.
2. Mueva el refrigerador a la ubicación final.
3. Nivele el refrigerador con un nivelador colocado encima de refrigerador.
  - Quite la parilla inferior (**A**). Quite la cubierta de la bisagra inferior (**B**).
  - Gire el tornillo de ajuste (**C**) para subir o bajar el gabinete del refrigerador. La parte delantera del refrigerador debe estar  $\frac{1}{4}$ " (6mm), ó  $\frac{1}{2}$  burbuja de nivel más alta que la parte posterior.
  - Asegure se que el gabinete del refrigerador esté nivelado de lado a lado ajustando los tornillos de ajuste de rodillo derecho e izquierdo.  
Gire la rosca estabilizadora (**D**) en el sentido de las manecillas de reloj hasta que esté firmemente apoyado contra el piso.
4. Vuelva a colocar la parilla (**A**) y la cubierta de la bisagra inferiores (**B**). Busque la flecha pintada en la parte interior de la parrilla para asegurar la colocación apropiada.
  - **Primero coloque a presión la porción superior en su lugar.** Oprima la parte inferior de la parrilla hasta que la porción inferior entre a presión en su lugar.

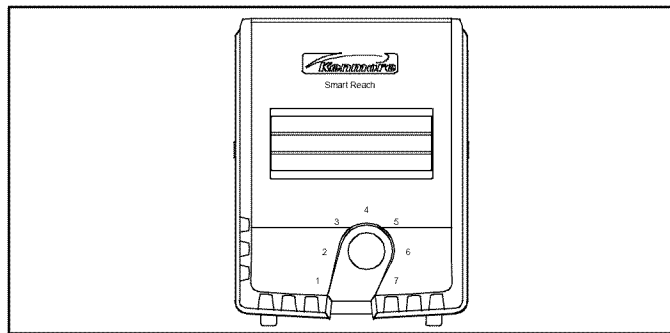


## Controles

Este refrigerador funciona con mayor eficacia a temperaturas normales de casa, entre 55° y 110°F (13° y 43°C).

### Controles de alimentos frescos y del congelador

El control de alimentos frescos está ubicado en la parte superior de la pared trasera de la sección de alimentos frescos.



El control del congelador está ubicado en el techo delantero del lado derecho de la sección congelador.

Cuando el control del congelador está en la posición *OFF*, ni la sección de alimentos frescos ni la congelador enfriarán. Inicialmente fije ambos controles en 4. Espere 24 horas hasta que las secciones de alimentos frescos y congelador alcancen las temperaturas deseadas. Después de 24 horas, ajuste los controles, un solo número a la vez, según se desee. El 1 es el menos frío y el 7 el más frío.

### Ajuste de los controles

Ajuste con precisión los controles utilizando un termómetro común que abarque temperaturas entre -5° y 50°F (-21° y 10°C).

Coloque cómodamente el termómetro entre paquetes congelados en la sección congelador y espere de 5 a 8 horas. Si la temperatura de la sección congelador no se encuentra entre 0° y 2°F (-17° y -16°C), ajuste el control, un solo número a la vez. Compruebe nuevamente después de 5 a 8 horas.

Coloque el termómetro en un vaso de agua en medio de la sección de alimentos frescos y espere de 5 a 8 horas. Si la temperatura de la sección de alimentos frescos no se encuentra entre 38° y 40°F (3° y 4°C), ajuste el control, un solo número a la vez. Compruebe nuevamente después de 5 a 8 horas.

## Características de la sección de alimentos frescos

### Repisas que contienen los derrames menores

Los modelos tienen repisas a prueba de derrames y deslizables.



#### **CUIDADO**

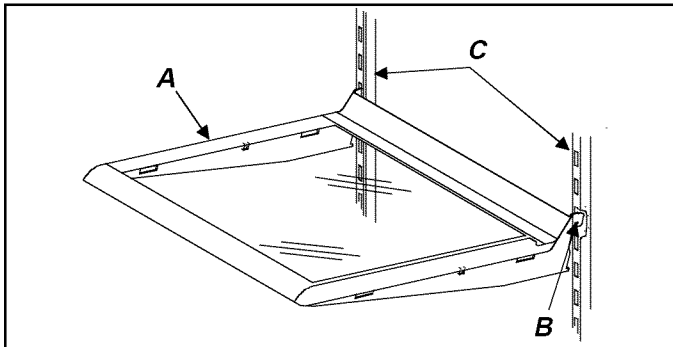
Para evitar daños a la propiedad, verifique que la repisa esté bien instalada antes de colocar artículos en la misma.



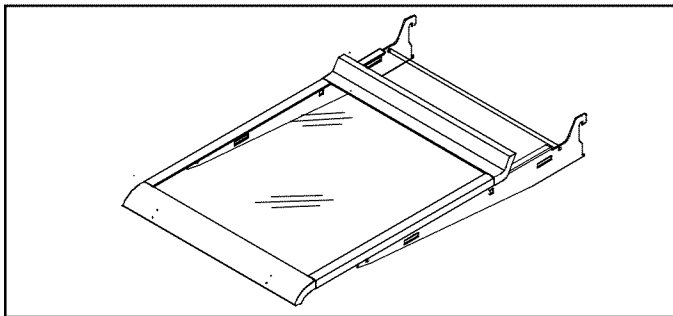
#### **CUIDADO**

Maneje con cuidado las repisas de vidrio templado para evitar lesiones personales o daños a la propiedad. Las repisas se pueden romper fácilmente si sufren raspaduras, golpes o se exponen a cambios repentinos de temperatura.

- Quite las repisas **(A)** levantando desde el frente y soltando los ganchos **(B)** de la guía de metal **(C)**.
- Vuelva a colocar las repisas insertando los ganchos **(B)** en la guía de metal **(C)** y bajando el frente.



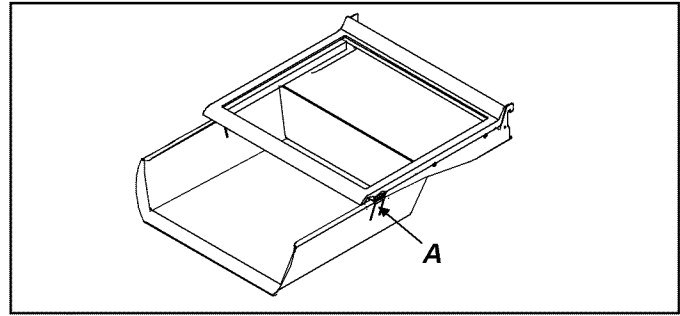
Las repisas deslizables se pueden deslizar hacia adelante para tener acceso fácil a los artículos de la parte posterior.



### Centro de embutidos (Deli Center)

El centro de embutidos proporciona un espacio para almacenar debajo de la repisa a prueba de derrames y se saca hacia adelante para un fácil acceso.

- Quite el cajón tirando de él hacia adelante hasta que tope. Oprima las lengüetas **(A)** laterales del cajón y estírelo hacia adelante.
- Vuelva a colocar el cajón insertándolo en los rieles y empujándolo hacia atrás.



### Cajones

#### Cajón para alimentos frescos de humedad controlada

El cajón de la derecha es el de humedad controlada. Este cajón conserva frescas las frutas y legumbres por más tiempo. Envuelva bien los productos. No los lave antes de colocarlos en los cajones para alimentos frescos. El exceso de humedad podría causar que los productos se pudran prematuramente. No forre los cajones para alimentos frescos con toallas de papel. Las toallas de papel retienen la humedad.

El control de humedad está ubicado debajo del adorno de la repisa delantera. El control ajusta la temperatura en el cajón. Gire el control hacia la derecha para productos que tengan hojas, como la lechuga, espinacas o repollo. Gire el control a la izquierda para productos que tengan cáscara, como la coliflor, los elotes o los jitomates.

#### Cajón de temperatura controlada

El cajón de la izquierda es el de temperatura controlada. Este cajón conserva frescos los alimentos por más tiempo y hasta 5°F (3°C) más fríos que la temperatura de alimentos frescos. Utilice este cajón para almacenar los productos deli o frutas y legumbres adicionales.

El control de temperatura está ubicado debajo del adorno de la repisa delantera. El control ajusta la cantidad de aire que circula alrededor del cajón. Gire el control hacia la izquierda para la temperatura normal de la sección de alimentos frescos y hacia la derecha para la temperatura más fría. Es posible que se formen cristales de hielo en el cajón o en los alimentos en la posición de frío máximo. El aire frío puede disminuir la temperatura de la sección de alimentos frescos. Tal vez sea necesario ajustar el control de alimentos frescos.

Quite las repisas y cajones realizando los siguientes pasos:

1. Abra el cajón izquierdo\*.

\* Para las puertas con las bisagras en el lado izquierdo, abra el cajón derecho.



## ¡ CUIDADO

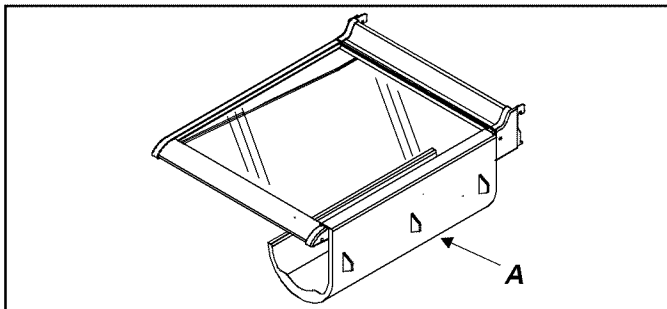
Maneje con cuidado las repisas de vidrio templado para evitar lesiones personales o daños a la propiedad. Las repisas se pueden romper súbitamente si sufren raspaduras, golpes o se exponen a cambios repentinos de temperatura.

2. Quite la tapa de vidrio del cajón de frutas y verduras (crisper) oprimiéndolo con suavidad hacia arriba por la parte inferior. Ladee un extremo y luego sáquelo.
3. Quite el cajón izquierdo\* levantando la parte delantera mientras lo sostiene por debajo y luego jálelo. \*Para las puertas con las bisagras en el lado izquierdo, quite el cajón derecho.
4. Extraiga el poste de soporte del hueco en el centro de la parte inferior de la sección de alimentos frescos jalándolo.
5. Quite el otro cajón para alimentos frescos deslizándolo hacia la pared opuesta. Levante la parte delantera del cajón mientras lo sostiene por debajo y luego jálelo.
6. Vuelva a colocar los cajones y repisas repitiendo los pasos del 1 al 5 en orden inverso.

### Compartimiento para botellas (en algunos modelos)

El compartimiento para botellas (A) proporciona un conveniente lugar para guardar una botella de cuello largo, huevos, etc.

- Cuelgue este compartimiento enganchándolo por el lado de la repisa.

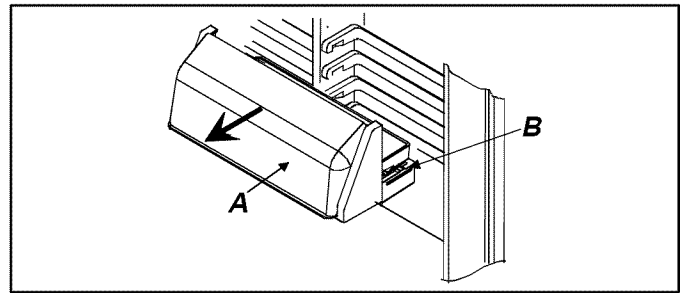


### Centros para productos lácteos

Los centros para productos lácteos guardan mantequilla, quesos, etc. en un lugar fácil y conveniente.

- Quite los centros para productos lácteos levantando la puerta (A), empujando las lengüetas (B) hacia el centro y jalando hacia afuera.
- Vuelva a colocar los centros para productos lácteos deslizándolos hasta que las lengüetas (B) encajen en

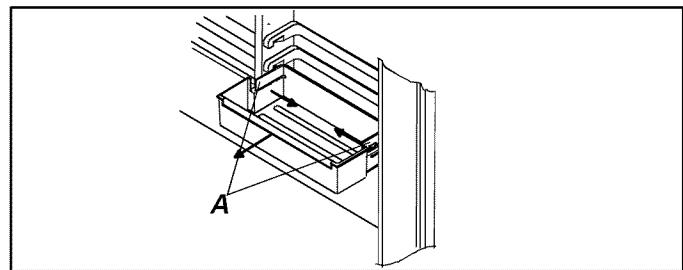
su sitio y luego baje la puerta.



### Compartimientos de la puerta

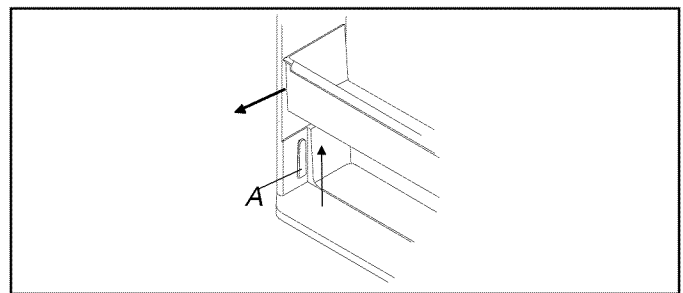
Los compartimientos de la puerta se ajustan para satisfacer las necesidades individuales de almacenamiento.

- Quite los compartimientos de la puerta empujando las pestañas (A) hacia el centro y jalando hacia afuera.
- Vuelva a poner los compartimientos de la puerta deslizándolos hasta que las pestañas encajen en su sitio.



### Repisa de la puerta

- Quite la repisa de la puerta levantándola de los extremos y jalando hacia afuera.
- Vuelva a colocar la repisa colocándola en las guías (A) y deslizándola hacia abajo.



---

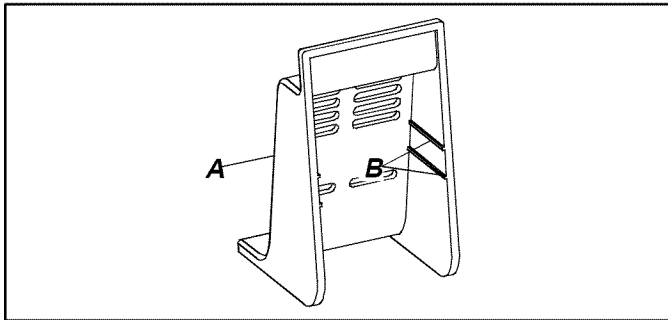
## Instalación del cartucho de filtración de agua

- Quite el cartucho de derivación antes de conectar el suministro de agua a la unidad.
- Quite el cartucho de derivación de la parte superior del filtro de agua que se encuentra en la esquina posterior derecha de la sección del refrigerador. Haga girar el cartucho  $\frac{1}{4}$  de vuelta hacia la izquierda y hálelo hacia abajo para quitarlo. Guarde el cartucho de derivación para usarlo posteriormente.
- Para instalar y operar el filtro, consulte las *Instrucciones de instalación y operación del sistema de filtración de agua* que se proporcionan con el cartucho de filtración de agua.

## Instalación del cartucho de filtración de aire

Debe cambiar este cartucho cada tres meses. Los olores fuertes de los alimentos (como cebollas destapadas, ajos, etc.) acortarán la vida útil del cartucho.

1. Localice el conjunto de filtración de aire en el retorno de aire del gabinete del refrigerador. El portafiltro **(A)** se encuentra adherido en el gabinete por medio de Velcro®. Desprenda el portafiltro de la pared del gabinete.
2. Inserte el filtro deslizándolo en las ranuras **(B)**.



## Características del congelador

### CUIDADO

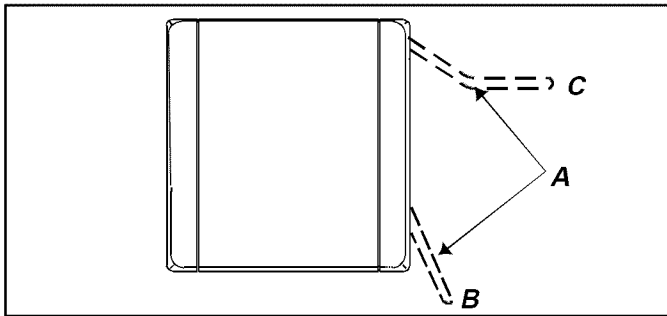
Para evitar daños a la propiedad, verifique que la repisa esté bien instalada antes de colocar artículos en la misma.

### Sistema sin escarcha (Frost-Free)

Las secciones del refrigerador y del congelador se mantienen completamente sin escarcha. La descongelación es automática bajo condiciones normales. Nunca se tiene que descongelar la sección del refrigerador ni la del congelador.

### Máquina de hielo automática

- Asegúrese de que el depósito de hielo se encuentre en su lugar y que el brazo de la máquina de hacer hielo (**A**) se encuentre en posición activada (**on-B**).



- Después que la sección del congelador alcanza la temperatura normal, la máquina de hielo se llena de agua y comienza a funcionar. Espere de 24 a 48 horas después de instalarla para que los hielos estén listos. La máquina de hielo produce de 7 a 9 raciones de hielo durante 24 horas bajo condiciones ideales.
- Después de que se forma el hielo, la máquina deja caer los hielos adentro del recipiente de hielo. Mientras el hielo se está haciendo, el brazo de la máquina se levanta y se baja. Cuando el recipiente de hielo se llena, el brazo de la máquina (**A**) la desconecta (**off-C**).

**Nota:** Deseche las tres primeras raciones de hielo para que no consumir ninguna impureza que quede en la línea de agua al instalarla.

- Si desea detener la producción automática de hielo levante el brazo de la máquina. Se escucha claramente un chasquido cuando se coloca en la posición adecuada. El brazo de la máquina se quedará en esta posición hasta que se empuje hacia abajo.

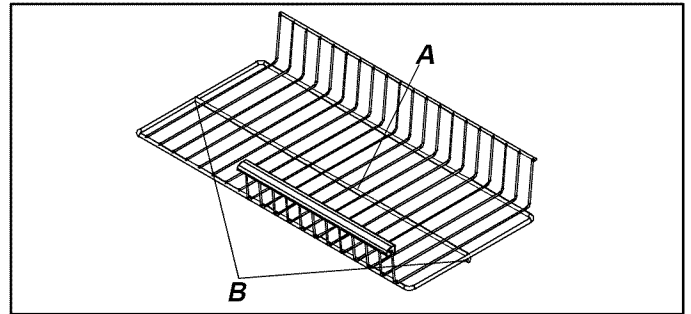
### PRECAUCIÓN

Verifique que la repisa esté segura antes de colocar artículos en ella para evitar daños materiales.

### Repisa deslizable

Las repisas deslizables se pueden jalar hacia el frente para tener un acceso fácil a los artículos colocados en la parte posterior.

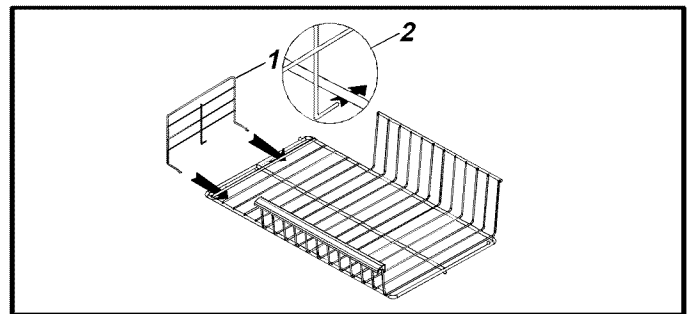
- Para quitar la repisa deslizable tire de ella hacia el frente hasta que la punta de bola (**A**) debajo de riel central (**B**) se acomode en el canal de la moldura.
- Sostenga la repisa por el riel central (**B**), jale hacia arriba y retírela.
- Deslícelo hacia adentro hasta que la punta de bola (**A**) caiga en el canal de la moldura.



### Separador vertical de repisa

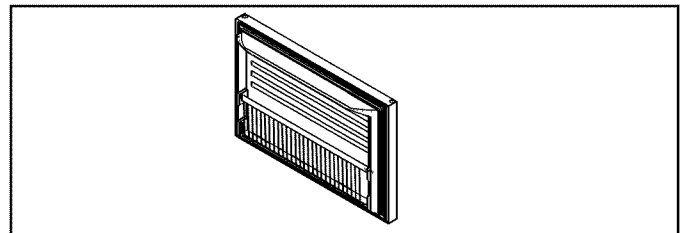
Instale el separador vertical de repisa siguiendo los pasos a continuación:

1. Deslice las puntas del separador de repisa debajo de la rejilla que se desee, ligeramente fuera de centro del riel central.
2. Oprima la parte superior del divisor y deslice el ensamble de gancho debajo del riel central.



### Gaveta inclinable

La gaveta inclinable es una conveniente área de almacenamiento de alimentos congelados en la puerta del congelador, y se inclina hacia adelante para facilitar el acceso a estos artículos.



## Cuidado y limpieza



### ADVERTENCIA

Para evitar descargas eléctricas que pueden causar lesiones personales graves o la muerte, desconecte la energía del refrigerador antes de limpiarlo. Después de limpiarlo, conecte la energía.



### CUIDADO

Lea y cumpla con las instrucciones del fabricante de los productos de limpieza para evitar lesiones personales o daños a la propiedad.

### Generalidades

Vea la sección *Limpieza del acero inoxidable por las puertas del acero inoxidable*.

1. Lave las superficies con cuatro cucharadas de bicarbonato de sodio disuelto en un litro de agua tibia utilizando un trapo suave y limpio.
  - Para limpiar las tiras de Velcro®, use agua tibia jabonosa y un paño o un cepillo suave y limpio.
2. Enjuague las superficies con agua tibia. Seque las superficies con un trapo suave y limpio.
  - No utilice los siguientes productos:
    - limpiadores abrasivos o ásperos tales como amoníaco, cloro, etc.
    - detergentes o disolventes concentrados
    - estropajos metálicosEstos productos pueden rayar, rajar y decolorar las superficies.
  - No lave las repisas, recipientes, etc. en un lavaplatos automático.

### Limpieza del acero inoxidable

Los daños al acabado del acero inoxidable debidos al uso incorrecto de los productos de limpieza, o al uso de productos de limpieza no recomendados, no están cubiertos por la garantía.

1. Lave las superficies con agua jabonosa tibia y un paño o una esponja suave y limpia.
  - Para limpiar las tiras de Velcro®, use agua tibia jabonosa y un paño o un cepillo suave y limpio.
2. Enjuague las superficies con agua tibia. Seque las superficies con un paño suave y limpio.
  - No use los siguientes limpiadores abrasivos:
    - limpiadores abrasivos o ácidos (amoníaco, cloro, blanqueador, productos con base de vinagre, etc.)
    - limpiadores con base de cítricos
    - almohadillas de estropajo (metálicas, con textura de plástico, etc.)Estos artículos pueden rallar, decolorar o manchar permanentemente las superficies.
3. A continuación, enjuague inmediatamente y séquelo con un paño suave y limpio. Esto evitará que se manche con gotas de agua el acabado de acero inoxidable.

### Adhesivos

1. Elimine el residuo de goma frotando un poco de pasta dental sobre el adhesivo hasta aflojarlo.

2. Enjuague la superficie con agua tibia. Seque la superficie con un trapo limpio y suave.

### Empaques de la puerta

1. Limpie los empaques de la puerta cada tres meses de acuerdo con las instrucciones de limpieza de la sección "Generalidades".

### Serpentín del condensador

Limpie el serpentín del condensador cada tres meses para asegurar un funcionamiento óptimo del refrigerador. La acumulación de polvo y pelusas puede causar lo siguiente:

- menor rendimiento de enfriamiento
  - aumento del consumo de energía
  - falla prematura de las piezas
1. Quite la rejilla inferior sosteniéndola de los extremos y jalándola hacia adelante.
  2. Limpie la superficie delantera del serpentín con la boquilla de manguera de una aspiradora.
  3. Vuelva a colocar la rejilla inferior insertando y encajando las presillas en los agujeros del gabinete.



### PRECAUCIÓN

Para evitar daños a la propiedad, proteja los pisos de vinilo delicado o de otra clase con cartones, tapetes u otros materiales de protección.

4. Eleve la rosca estabilizadora (en algunos modelos) girándola en sentido contrario al de las manecillas del reloj.

### Repisas de vidrio



### PRECAUCIÓN

Maneje con cuidado las repisas de vidrio templado para evitar lesiones personales o daños a la propiedad. Las repisas se pueden romper súbitamente si sufren raspaduras, golpes o se exponen a cambios repentinos de temperatura.

Saque la repisa levantándola del frente, liberando los ganchos de los rieles metálicos, luego jalando la repisa hacia adelante. Colóquela sobre una toalla y permita que la repisa se adapte a la temperatura ambiental durante una hora antes de limpiarla.

1. Diluya un detergente suave y aplíquelo en las hendiduras usando un cepillo con cerdas de plástico. Déjelo reposar durante cinco minutos.
2. Rocíe agua tibia en las hendiduras usando un aditamento para rociar agua desde el grifo.
3. Seque bien la repisa y vuelva a colocarla insertando los ganchos en los rieles metálicos y bajando la parte delantera.

### Eliminación de olores

1. Saque todos los alimentos y desconecte la corriente eléctrica al refrigerador.
2. Lave todas las superficies interiores incluyendo el techo, el piso y las paredes, de acuerdo con las instrucciones de limpieza de la sección "Generalidades". Preste atención especial a las ewquinas, hendiduras y ranuras. Incluya todos los accesorios, cajones, repisas y empaques.

3. Conecte la corriente eléctrica al refrigerador y vuelva a colocar los alimentos en el refrigerador. Lave y seque todas las botellas, frascos y recipientes. Guarde todos los alimentos en recipientes sellados herméticamente para evitar malos olores adicionales. Después de 24 horas revise si se ha eliminado el olor.

Si no se ha eliminado el olor, siga los siguientes pasos.

4. Complete los pasos del 1 al 2.
5. Coloque los cajones para verduras en la repisa superior de la sección Alimentos frescos. Llene las secciones Alimentos frescos y Congelador, incluyendo las puertas, con hojas estrujadas de periódico blanco y negro.
6. Coloque pedazos de carbón en diferentes lugares del periódico.
7. Cierre las puertas y deje reposar de 24 a 48 horas.
8. Saque los pedazos de carbón y los periódicos.
9. Complete los pasos 2 y 3.
10. Coloque pedazos de carbón al azar sobre el periódico.
11. Cierre las puertas y espere de 24 a 48 horas.
12. Retire el carbón y periódico.
13. Realice los pasos 2 y 3.

Si el mal olor persiste, llame al Centro de Servicio de Sears.

### Reemplazo de focos

#### ADVERTENCIA

Desconecte la corriente eléctrica al refrigerador antes de cambiar los focos para evitar descargas eléctricas que podrían causar lesiones graves o la muerte. Después de cambiar los focos, vuelva a conectar la corriente.

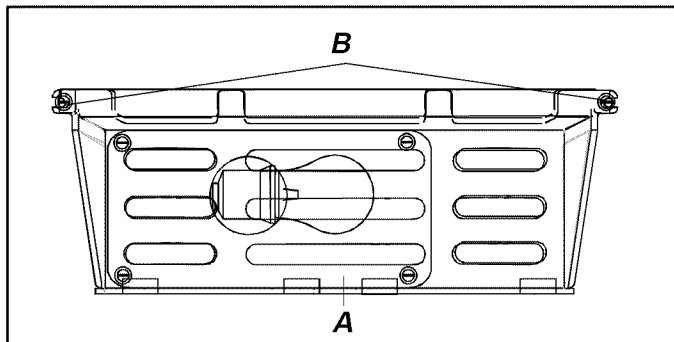
#### PRECAUCIÓN

Lleve a cabo lo siguiente para evitar lesiones Personales o daños a la propiedad:

- Permita que se enfríe el foco.  
Use guantes para cambiar el foco.

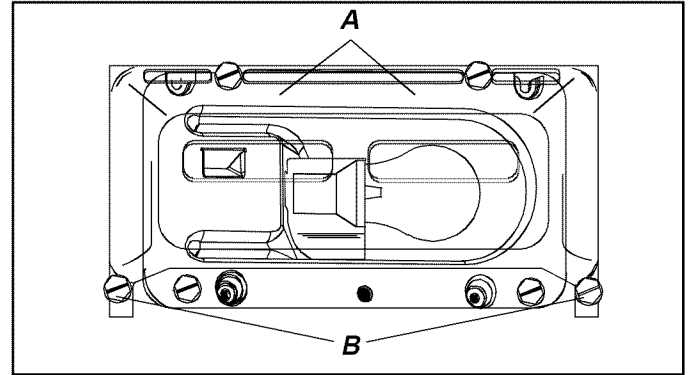
#### El Foco del Refrigerador

- Quite la tapa (B) del foco extrayendo los tornillos (A) hexagonales de ¼ de pulgada (6mm). Reemplácelo con un foco para aparatos electrodomésticos de 60 vatios o menor.
- Vuelva a colocar la tapa (B) del foco atornillando los tornillos (A) hexagonales de ¼ de pulgada (6mm).



#### El Foco del Congelador

- Quite la tapa del foco (A) extrayendo los tornillos (B) hexagonales de ¼ de pulgada (6mm). Reemplácelo con un foco para aparatos electrodomésticos de 60 vatios o menor.
- Vuelva a colocar la tapa del foco atornillando los tornillos hexagonales de ¼ de pulgada (6mm).



### Sugerencias para las vacaciones

Siga los siguientes pasos en caso de tomarse vacaciones breves.

1. Saque los alimentos que se puedan echar a perder. **La garantía no cubre las pérdidas de alimentos.** Revise su certificado de garantía para ver si cubre algo en específico.
2. Si tiene instalada una máquina para hacer hielo, ponga el brazo de la máquina en posición *desactivada (off)*.

Siga los siguientes pasos en caso de tomarse vacaciones largas.

1. Vacíe las secciones Alimentos frescos y congelador.
2. Desenchufe el refrigerador.
3. Limpie el interior del refrigerador y los empaques de las puertas de acuerdo con las instrucciones de limpieza de la sección «Generalidades» en la sección «Cuidado y limpieza».
4. Deje las puertas abiertas para que pueda circular el aire en el interior.
5. Si tiene instalada una máquina para hacer hielo, cierre el suministro de agua al refrigerador y ponga el brazo de la máquina en posición *desactivada (off)*.

### Sugerencias para conservar energía

- Manténgalo funcionando a temperaturas normales entre 55° y 110°F (13° y 43°C) alejado de las fuentes de calor y de la luz directa del sol.
- No ajuste los controles del Alimentos frescos, congelador ni del Chiller FreshÔ a una temperatura más fría que lo que sea necesario.
- Mantenga llena la sección congelador.
- Mantenga los empaques de la puerta limpios y flexibles. Reemplace los empaques si están gastados.
- Mantenga limpios los serpentines del congelador.
- Gire el control de humedad exterior a la posición *ON* (encendido) cuando sea necesario.

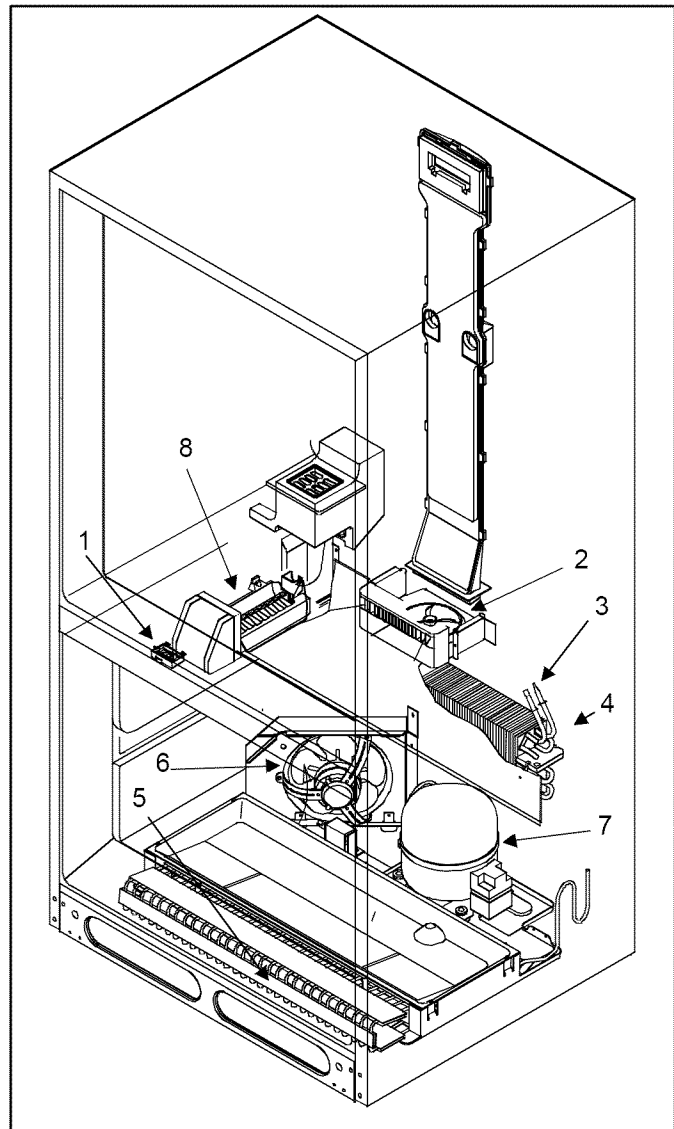
## Sonidos normales de funcionamiento

Es posible que este refrigerador nuevo esté reemplazando a uno de diferente diseño, menos eficiente o más pequeño. Los refrigeradores actuales tienen características nuevas y un mejor rendimiento de energía. Como resultado de esto, ciertos sonidos pueden parecer poco comunes. Estos sonidos son normales y pronto le serán familiares. Estos sonidos indican también que el refrigerador está funcionando y rindiendo según su diseño.

1. **Control del congelador** El control del congelador hace un clic al arrancar o detenerse el compresor.
2. **Ventilador del congelador** El aire del ventilador del congelador se acelera y zumba.
3. **Sistema sellado** (evaporador e intercambiador de calor) El flujo del refrigerante del sistema sellado gorgojea, revienta o suena como agua hirviendo.
4. **Calentador de descarchado.** Hace chirridos, silba o cruje.
5. El **cronómetro de descongelación (Defrost timer)** suena como un reloj eléctrico y entra y sale del ciclo de descongelación.
6. El aire del **ventilador del condensador (Condenser fan)** resopla y gira.
7. El **Compresor** tiene un ruido agudo o de pulsación.
8. Los  **cubos de hielo** de la máquina caen en la tina.

**La conexión de la válvula del agua de la máquina de hielo** emite un ruido cuando se llena de agua. Esto ocurre ya sea que el refrigerador esté o no esté conectado al suministro de agua. Si el refrigerador no está conectado al suministro de agua, elimine el ruido levantando el brazo de la máquina de hielo a la posición apagada.

**Nota:** El aislamiento de espuma tiene muy buen rendimiento de energía y excelente capacidad aislante. Sin embargo, no absorbe el ruido como aislamiento de fibra de vidrio que se usaba anteriormente.



## Antes de llamar para solicitar servicio

Problema	Solución
El refrigerador no funciona.	<ul style="list-style-type: none"> <li>• Compruebe que el control del congelador esté activado.</li> <li>• Compruebe que el refrigerador esté enchufado</li> <li>• Revise el fusible o cortacircuitos. Enchufe otro artefacto en ese tomacorriente de pared.</li> <li>• Espere 40 minutos para ver si vuelve a arrancar el refrigerador. Si el control del congelador está activado, funcionan las luces pero no funcionan los dos ventiladores ni el compresor, el refrigerador podría estar en el ciclo de descarchado.</li> </ul>
Aún no funciona el refrigerador.	<ul style="list-style-type: none"> <li>• Desenchufe el refrigerador. Cambie los alimentos a otra unidad o ponga hielo seco en la sección del congelador para conservar los alimentos. <b>La garantía no cubre las pérdidas de alimentos.</b> Revise su certificado de garantía para ver si cubre algo en específico. Llame para solicitar servicio.</li> </ul>
La temperatura de los alimentos parece demasiado tibia.	<ul style="list-style-type: none"> <li>• Vea las secciones anteriores.</li> <li>• Deje que transcurra suficiente tiempo para que los alimentos calientes que se acaban de añadir alcancen la temperatura de alimentos frescos o del congelador.</li> <li>• Revise los empaques de la puerta para ver si sellan correctamente.</li> <li>• Limpie los serpentines del condensador.</li> <li>• Ajuste el control de alimentos frescos y/o del congelador.</li> <li>• Las luces del congelador o refrigerador permanecen encendidas. Si la luz permanece encendida, llame para solicitar servicio.</li> <li>• Las ventilas de aire están obstruidas y restringen la circulación del aire frío. Ubique las ventilas y restrinjan el flujo de aire.</li> </ul>
La temperatura de los alimentos es demasiado fría	<ul style="list-style-type: none"> <li>• Limpie los serpentines del congelador. Vea las instrucciones de “Serpentines del congelador” en la sección “Cuidado y limpieza”.</li> <li>• Ajuste el control del congelador a una posición más tibia. Vea las instrucciones en “Ajuste de los controles” en la sección “Controles”. Deje que pasen varias horas para que la temperatura se ajuste.</li> <li>• Compruebe que la tapa de plástico esté colocada en el lado opuesto del cajón para carnes. Consulte la sección “Cajón para carnes”.</li> </ul>
El refrigerador funciona con demasiada frecuencia.	<ul style="list-style-type: none"> <li>• Podría ser normal para mantener una temperatura constante.</li> <li>• Las puertas se han abierto frecuentemente o durante períodos prolongados de tiempo. Cuando se abre la puerta el aire tibio entra al refrigerador. Entre más se abre la puerta mayor es el aire tibio que el refrigerador tiene que enfriar.</li> <li>• Permita tiempo suficiente para que los alimentos tibios recientemente guardados alcancen la temperatura del refrigerador o del congelador. Puede tomar varias horas para que el refrigerador alcance otra vez la temperatura normal.</li> <li>• Limpie los serpentines del condensador. Vea las instrucciones de “Serpentines del condensador” en la sección “Cuidado y limpieza”.</li> <li>• Ajuste el control del congelador. Vea las instrucciones en “Ajuste de los controles” en la sección “Controles”.</li> <li>• Revise los empaques de la puerta para ver si sellan correctamente. Los empaques deben sellar ajustadamente al gabinete.</li> <li>• La luz del congelador permanece encendida. Si la luz permanece encendida, quite el foco y llame para solicitar servicio.</li> <li>• Cerciórese de que el refrigerador esté nivelado. Consulte la sección “Nivelación del refrigerador” en las instrucciones de instalación.</li> </ul>
Se forman gotas de agua dentro del refrigerador	<ul style="list-style-type: none"> <li>• Es normal durante períodos de alta humedad o si se abren las puertas con mucha frecuencia.</li> <li>• Envuelva bien los alimentos y seque los recipientes húmedos antes de guardarlos en el refrigerador para evitar la acumulación de humedad.</li> </ul>
Se forman gotas de agua fuera del refrigerador.	<ul style="list-style-type: none"> <li>• Revise los empaques de la puerta para ver si sellan correctamente. Los empaques deben sellar ajustadamente al gabinete.</li> <li>• Es normal durante períodos de alta humedad o si se abren las puertas con mucha frecuencia.</li> </ul>

## Antes de llamar para solicitar servicio

Problema	Solución
El centro de embutidos o el cajón de frutas y verduras no se cierran con libertad.	<ul style="list-style-type: none"> <li>• Revise si hay un paquete que impida que cierre bien el cajón.</li> <li>• Compruebe que el cajón esté en la posición correcta.</li> <li>• Limpie los canales del cajón con agua tibia y jabonosa. Enjuague y seque bien.</li> <li>• Aplique una capa delgada de vaselina a los canales del cajón.</li> <li>• Compruebe que el refrigerador esté nivelado.</li> </ul>
El refrigerador tiene mal olor	<ul style="list-style-type: none"> <li>• Consulte las instrucciones para la "Eliminación de olores" en la sección de "Cuidado y limpieza".</li> <li>• Es posible que el cartucho del filtro de aire necesite cambiarse. Vea la sección "Filtro de aire" para obtener las instrucciones.</li> </ul>
El refrigerador hace sonidos poco comunes que parecen demasiado altos	<ul style="list-style-type: none"> <li>• Podría ser normal. Consulte la sección de "Sonidos normales del funcionamiento".</li> </ul>
Los cubos de hielo tienen mal olor.	<ul style="list-style-type: none"> <li>• Consulte las instrucciones para la "Eliminación de olores" en la sección de "Cuidado y limpieza".</li> <li>• La máquina para hacer hielo se instaló recientemente. Deseche varios lotes de hielo para evitar hielos descoloridos o con mal sabor.</li> <li>• Hay alimentos que no están bien sellados en el compartimiento del refrigerador o del congelador. Vuelva a envolver los alimentos ya que los olores pueden impregnar el hielo si los alimentos no están apropiadamente envueltos.</li> <li>• Deseche el hielo y lave el recipiente o las bandejas para hielo con más frecuencia. Los cubos de hielo son porosos y absorben olores con facilidad.</li> <li>• El suministro de agua contiene minerales tales como sulfuro. En algunos casos se necesita instalar un filtro para eliminar los problemas con el sabor y con el olor.</li> </ul>
Los cubos de hielo se pegan o se "encogen".	<ul style="list-style-type: none"> <li>• Vacíe el recipiente o las bandejas para hielo con más frecuencia. Si se usan con poca frecuencia, los cubos pueden pegarse o encogerse.</li> </ul>
La máquina de hielo (en algunos modelos) no está haciendo hielo.	<ul style="list-style-type: none"> <li>• La presión del agua puede estar muy baja o muy alta. La máquina de hielo requiere una presión de agua de 20 a 100 psi para funcionar de modo apropiado.</li> <li>• Compruebe que el brazo de la máquina de hielo está hacia abajo. Vea la sección "Máquina de hielo "automática".</li> <li>• Compruebe que el suministro de agua de la casa llega a la válvula de agua. Asegúrese que la válvula de cierre del suministro principal de agua esté completamente abierta.</li> <li>• Se usó una válvula de tipo de penetración o de silla de <math>\frac{3}{16}</math>" para la conexión. Ambas reducen el flujo de agua y pueden obstruirse con el tiempo. Reemplace estas válvulas con el tipo correcto de válvula de silla que requiere que se haga un orificio de <math>\frac{1}{4}</math>" en la tubería de suministro de agua antes de conectar la válvula.</li> <li>• Compruebe que los alambres del arnés de la máquina de hielo están completamente dentro de los orificios apropiados.</li> <li>• Revise para ver si hay torceduras en las tuberías de cobre o de plástico. Elimine las torceduras o reemplace la tubería.</li> <li>• Revise las conexiones eléctricas al serpentín de la válvula del agua y el bloc conector en el gabinete del refrigerador.</li> <li>• Si se instaló un filtro de agua en la línea de agua afuera del refrigerador, revise el filtro para ver si hay obstrucciones o si fue instalado incorrectamente.</li> </ul>
La máquina de hielo (en algunos modelos) no produce suficiente hielo.	<ul style="list-style-type: none"> <li>• La máquina de hielo se instaló recientemente o se usó recientemente una cantidad grande de hielo. Espere 24 horas para que la producción de hielo comience y para que la máquina de hielo se surta después de ser vaciada.</li> <li>• Compruebe que el suministro de agua llega a la válvula de agua. Asegúrese que la llave de la válvula de agua esté completamente abierta.</li> <li>• Se usó una válvula de tipo de penetración o de silla de <math>\frac{3}{16}</math>" para la conexión. Ambas reducen el flujo de agua y pueden obstruirse con el tiempo. Reemplace estas válvulas con el tipo correcto de válvula de silla que requiere que se haga un orificio de <math>\frac{1}{4}</math>" en la tubería de suministro de agua antes de conectar la válvula.</li> <li>• Elimine las torceduras o reemplace la tubería.</li> <li>• Compruebe que la sección del congelador está funcionando a la temperatura apropiada. El congelador debe estar lo suficientemente frío para producir hielo. Vea la sección de "Ajuste de los controles".</li> </ul>
Se forma hielo en el tubo de entrada de la máquina de hielo (en algunos modelos)	<ul style="list-style-type: none"> <li>• Revise la presión del agua. La presión de agua baja causa que la válvula gotee.</li> <li>• Se usó una válvula de tipo de penetración o de silla de <math>\frac{3}{16}</math>" para la conexión. Ambas reducen el flujo de agua y pueden obstruirse con el tiempo. Reemplace estas válvulas con el tipo correcto de válvula de silla que requiere que se haga un orificio de <math>\frac{1}{4}</math>" en la tubería de suministro de agua antes de conectar la válvula.</li> </ul>

 Ce symbole signale une mesure de sécurité.

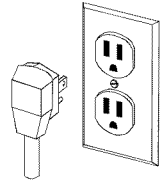
## Normes électriques

### MISE EN GARDE

**Ne jamais couper ou enlever la broche ronde de mise à la terre de la fiche. Le réfrigérateur doit être mis à la terre en tout temps. Ne jamais enlever l'étiquette d'avertissement du cordon d'alimentation. Ne jamais utiliser d'adaptateur à deux broches. Ne jamais utiliser de rallonge.**

Instructions de mise à la terre — Ce réfrigérateur est muni d'une fiche à 3 broches pour prévenir les risques d'électrocution. Si la prise de courant disponible convient uniquement à une fiche à 2 broches, contacter un électricien qualifié et la faire remplacer par une prise de courant à 3 orifices correctement reliée à la terre, conformément au Code national de l'électricité.

Le réfrigérateur est conçu pour fonctionner sur une ligne séparée de 60 Hz, 15 A, de 103 à 126 V.



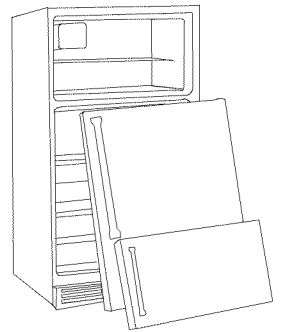
### DANGER

#### Mise au rebut du réfrigérateur

**IMPORTANT:** Les enfants qui se trouvent enfermés dans un réfrigérateur et y meurent d'asphyxie ne sont pas un problème du passé. Les réfrigérateurs mis au rebut ou abandonnés sont encore dangereux, même s'ils ne sont là que « pour quelques jours ». Lors de la mise au rebut d'un réfrigérateur, veiller à suivre les indications ci-dessous pour éviter les accidents.

#### AVANT DE JETER VOTRE VIEUX RÉFRIGÉRATEUR OU CONGÉLATEUR:

- Enlever les portes.
- Laisser les étagères en place de façon à ce que les enfants aient des difficultés à se glisser à l'intérieur.



## Garantie

#### Garantie totale d'un an du réfrigérateur

Pendant un an à partir de la date d'achat et si ce réfrigérateur est utilisé et entretenu tel qu'indiqué dans les instructions attachées à l'appareil ou fournies avec lui, Sears réparera gratuitement ce réfrigérateur s'il présente des défauts de matériel ou de main-d'oeuvre.

#### Garantie totale de cinq ans sur le système de réfrigération scellé

Pendant cinq ans à partir de la date d'achat et si ce réfrigérateur est utilisé et entretenu tel qu'indiqué dans les instructions attachées à l'appareil ou fournies avec lui, Sears réparera gratuitement le système de réfrigération scellé de ce réfrigérateur (qui se compose du réfrigérateur, des conduites et du moteur du compresseur) s'il présente des défauts de matériel ou de main-d'oeuvre.

La couverture relative à la garantie s'applique uniquement aux réfrigérateurs utilisés à des fins non commerciales dans une résidence privée. Exclut les cartouches originales et de rechange pour filtre à glace et à eau Kenmore (si l'appareil est doté d'un système de filtre). Les cartouches originales et de rechange sont garanties pendant 30 jours (pièces seulement).

Cette garantie s'applique uniquement aux réfrigérateurs utilisés à des fins ménagères.

Pour obtenir des prestations de garantie, contacter 1-800-4-MY-HOME (469-4663).

Cette garantie est valable uniquement pendant que cet appareil est utilisé aux États-Unis.

Cette garantie vous donne des droits spécifiques et vous pouvez jouir d'autres droits qui varient d'une province à l'autre.

Sears, Roebuck and Co., Dept 817WA, Hoffman Estates, IL 60179 É.-U.

## Lire et conserver ces instructions

Indiquer ci-dessous dans l'espace prévu à cet effet les numéros de modèle et de série qui se trouvent sur la plaque signalétique située sur la paroi gauche supérieure du compartiment réfrigérateur.

Numéro de modèle : 596\_\_\_\_\_

Numéro de sériel: \_\_\_\_\_

Date d'achat : \_\_\_\_\_

## Table des Matières

Normes électriques .....	29
Mise au rebut du réfrigérateur .....	29
Garantie .....	29
Lire et conservation instructions .....	29
Espace nécessaire .....	30
Consignes de mise en service .....	30
Retraits des portes .....	30
Inverser des portes .....	31
Remise en place des portes .....	31
Raccordement de l'appareil à glace à l'alimentation en eau (certains modèles) .....	32
Mise à niveau du réfrigérateur .....	33
Commandes .....	34
Thermostats du réfrigérateur et du congélateur ...	34
Réglage des thermostats .....	34
Composants du réfrigérateur .....	34
Tablettes du réfrigérateur .....	34
Deli Center .....	35
Bacs à Légumes .....	35
Porte-bouteilles (certains modèles) .....	35
Casier laitier .....	35
Bacs de porte .....	36
Balconnets de porte .....	36
Installation de la cartouche de filtration de l'eau ...	36
Installation de la cartouche de filtration de l'air ...	36
Composants du congélateur .....	37
Système auto-dégivrant .....	37
Appareil à glace (certains modèles) .....	37
Tablette coulissante .....	37
Séparateur de clayette vertical (certains modèles) .....	37
Bac à bascule .....	37
Entretien et nettoyage .....	38
Général .....	38
Nettoyage de l'acier inoxydable .....	38
Adhésifs .....	38
Joints de portes .....	38
Bobine du condenseur .....	38
Clayettes en verre .....	38
Suppression des odeurs .....	38
Remplacement des ampoules électriques .....	39
Conseils pour les vacances .....	39
Conseils pour des économies d'énergie .....	39
Bruits normaux .....	40
Avant d'appeler service de dépannage .....	41

### Remarque:

La traduction peut parfois donner à des variations dans le sens des termes. Dans tous les cas où il y aura une différence de sens, la version anglaise de ce document prévaut.

## Espace nécessaire

### ⚠ MISE EN GARDE

Conserver toutes matières ou vapeurs inflammables telles que l'essence à distance sûre du réfrigérateur. Le non respect de cette consigne risque d'entraîner une explosion, un incendie, des brûlures, voire la mort.

- Laisser un espace de ½ po (1.3 cm) au haut du réfrigérateur pour assurer un apport d'air suffisant.

- Si le réfrigérateur est équipé d'un appareil à glace, veiller à laisser suffisamment d'espace à l'arrière pour le raccordement à l'alimentation en eau. S'il n'est pas équipé d'un appareil à glace, il peut toucher le mur arrière.
- Si le réfrigérateur est placé près d'un mur ou d'une cloison, laisser un minimum de 2 ½ po (6.4 cm) de chaque côté (en fonction du modèle) pour permettre l'ouverture de la porte à 90°.

**REMARQUE :** Ne pas placer le réfrigérateur près d'un four, d'un radiateur ou d'une autre source de chaleur ni dans un endroit où la température risque de tomber au-dessous de 55° F (13° C).

## Consignes de mise en service

Une mise en service correctement effectuée assure le fonctionnement efficace du réfrigérateur.

### Outils nécessaires

Ruban-cache  
Couteau à mastic  
Tourne-écrou à six pans de 5/16"  
Tourne-écrou à six pans de 3/8"  
Tourne-écrou à six pans de 9/32"  
Tournevis cruciforme

### IMPORTANT:

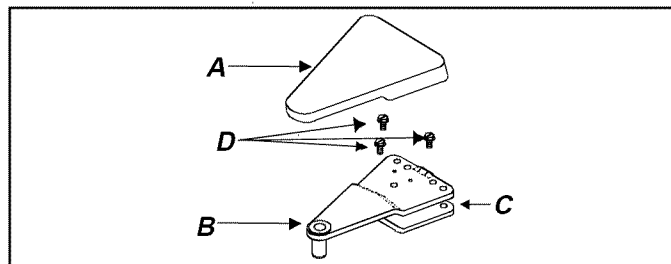
- Conserver toutes les vis pour les réutiliser.
- Pour retirer le bouchon, utiliser une lame de couteau à mastic recouverte de ruban-cache pour ne pas endommager le fini du réfrigérateur. Pour les obturateurs utilisant une tête de type tournevis ou tourne-écrou, utiliser le tournevis approprié pour éviter d'endommager les obturateurs.

## Retraits des portes

### ⚠ MISE EN GARDE

Pour éviter toute décharge électrique susceptible de causer des blessures graves ou mortelles, débrancher l'alimentation du réfrigérateur avant de retirer les portes. Rebrancher l'appareil une fois que les portes ont été remises en place.

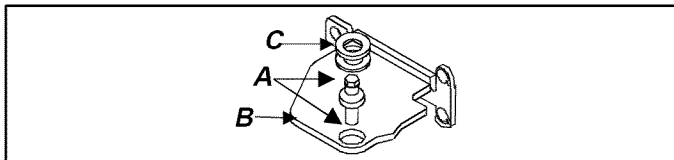
1. Retirer le couvre-charnière supérieur (A). Celui-ci se désenclenche. Tout en soutenant la porte du réfrigérateur, retirer la charnière supérieure (B) et la cale (C) en utilisant un tournevis à tête hexagonale de 5/16" po pour enlever les vis (D).



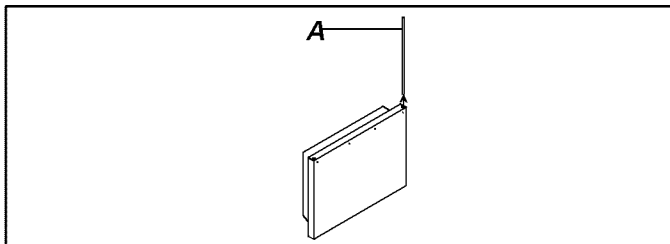
2. Soulever la porte du réfrigérateur hors de la charnière centrale.

**IMPORTANT:** Pour ne pas endommager la finition intérieure, enlever les bacs et les tablettes du réfrigérateur et du congélateur. Déposer les portes sur un tapis, une table ou un plancher recouvert de serviettes ou de draps, côté intérieur vers le bas.

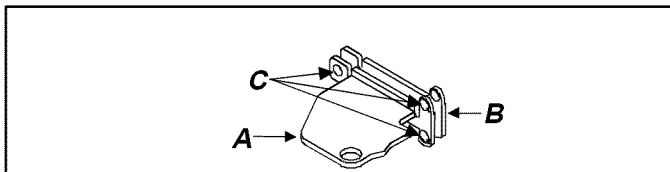
3. Tout en soutenant la porte du congélateur, soulever le dispositif de fermeture de la porte (**A**) hors de la charnière centrale (**B**) à l'aide d'un tournevis à tête hexagonale de  $\frac{9}{32}$  po. Retirer et conserver toutes les rondelles-cales (**C**), s'il y a lieu.



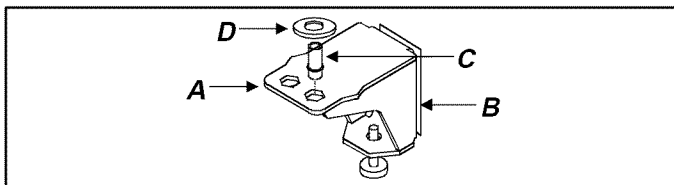
4. Retirer la porte du congélateur en soulevant la porte hors de la charnière inférieure.
  - Les modèles sont dotés d'une tige de soutien interne (**A**) installée dans la cavité de la charnière de la porte. La retirer et la conserver afin de la remettre en place ultérieurement.



5. Retirer le support de la charnière centrale (**A**) et la cale (**B**) en enlevant les vis (**C**) à l'aide d'un tournevis cruciforme.



6. Retirer la grille de ventilation et le couvre-charnière inférieur. Les deux se désenclenchent.
7. Retirer la charnière inférieure (**A**) et la cale (**B**) à l'aide d'un tournevis à tête hexagonale de  $\frac{3}{8}$  po. Retirer la broche de la charnière (**C**). Retirer et conserver toutes les rondelles-cales (**D**), s'il y a lieu.



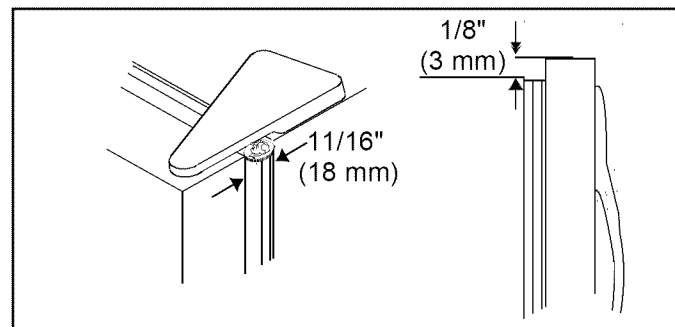
## Inverser des portes

Pour inverser le sens d'ouverture de la porte, composer le 1-877-LE-FOYER<sup>SM</sup> (1-877-533-6937), pour fixer un rendez-vous de service. Ce service est gratuit si le rendez-vous est fixé dans les trois mois suivant la date d'achat.

## Remise en place des portes

1. Remettre en place les cales et la charnière inférieure. Remettre en place la broche de la charnière inférieure sur le support de la charnière inférieure dans le trou à l'extérieur de l'appareil, de même que toutes les rondelles-cales conservées après le retrait de la charnière.
2. Remettre en place le support de la charnière centrale et les cales.
3. Assembler la charnière supérieure, les cales de la charnière et la cale de positionnement. Les fixer sans serrer à l'appareil pour permettre le dégagement de la porte.
4. Poser la porte du congélateur.
5. Remettre l'axe de charnière centrale en place à l'aide d'un tourne-écrous. S'assurer que le tout est bien serré. Remettre les cales rondes en place.
6. Serrer la charnière supérieure. Utiliser une pièce de dix cents dans la partie supérieure pour espacer la porte de  $\frac{11}{16}$ " (18 mm) du réfrigérateur.
7. Le côté poignée de la porte doit être environ  $\frac{1}{8}$  po (3 mm) plus élevé que le côté charnière. **La porte est de niveau lorsqu'elle est remplie de nourriture.**

Remarque : Si l'étape *Reccordement de l'alimentation en eau de la machine à glace* n'a pas lieu d'être, passer à l'étape *Mise à niveau du réfrigérateur*.



## Raccordement de l'alimentation en eau de la machine à glace (certains modèles)

### DANGER

Pour éviter tout risque d'électrocution pouvant causer des blessures graves voire mortelles, débrancher le réfrigérateur avant de faire le raccordement à l'alimentation en eau. Le rebrancher une fois le raccordement effectué.

### ATTENTION

Observer les consignes suivantes pour éviter tout dommage matériel:

- S'assurer que la pression de l'eau à l'électrovanne est bien entre 20 et 100 livres par pouce carré (138 et 690 kPa).
- Serrer les raccords et les écrous à l'aide de pinces et de clés. Serrer le raccord et les écrous de l'adaptateur avec une clé anglaise. Ne pas trop serrer.
- Vérifier qu'il n'y a pas de fuites et les réparer s'il y a lieu avant de mettre le réfrigérateur à son emplacement final. Procéder à une nouvelle vérification 24 heures après le raccordement.

#### IMPORTANT:

- Avant d'effectuer le raccordement à l'alimentation en eau, contacter un plombier pour raccorder la conduite en cuivre à l'arrivée d'eau de la maison conformément aux codes et règlements locaux.
- NE PAS utiliser de soupape avec bride de  $\frac{3}{16}$  po ou auto-taraudeuse! L'un comme l'autre réduisent le débit d'eau, se bouchent au fil des années et peuvent provoquer des fuites lorsqu'on essaie de les réparer. Pour convenir, un robinet d'arrêt exige le percement d'un trou de  $\frac{1}{4}$  po (6 mm) dans la conduite d'alimentation en eau avant d'y fixer le robinet.
- Ne pas installer de tuyau en cuivre dans un endroit où la température descend sous 32 °F (0 °C).

#### Matériel nécessaire

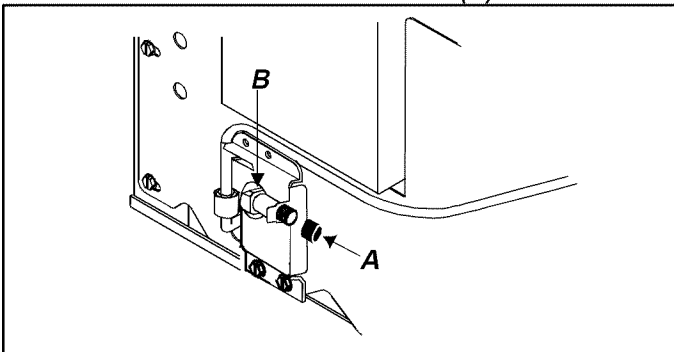
Une tubulure flexible en cuivre de diamètre externe de  $\frac{1}{4}$  po (6 mm)

Clé ouverte de  $\frac{1}{2}$  po

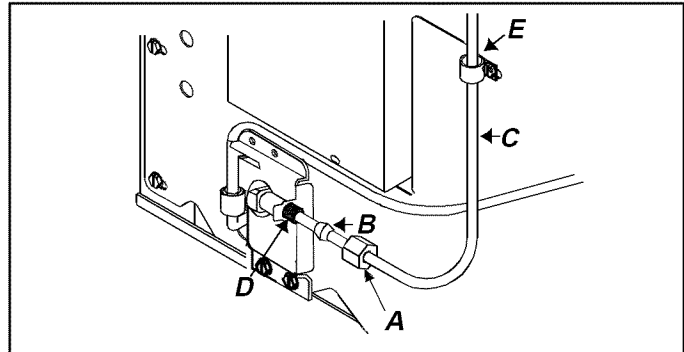
La longueur de la conduite doit être suffisante pour couvrir la distance entre l'arrivée d'eau de l'électrovanne et le point de raccordement à l'alimentation en eau à l'arrière du réfrigérateur, additionnée de 8 pi (2 mm) pour former une boucle permettant le déplacement de celui-ci sans avoir à désolidariser la conduite.

#### Marche à suivre

1. Enlever le capuchon en plastique (A) de l'orifice d'arrivée d'eau de l'électrovanne (B).



2. Placer l'écrou en laiton (A) et le manchon en laiton (B) sur le tuyau en cuivre (C). (L'écrou et le manchon en laiton se trouvent dans le paquet d'accessoires qui accompagnent l'appareil.) Visser l'écrou en laiton qui se trouve sur le tuyau en cuivre sur l'orifice d'arrivée d'eau de l'électrovanne. Commencer à visser à la main, puis terminer à la clé ouverte de  $\frac{1}{2}$  po. S'assurer que le tuyau en cuivre est bien fixé en tirant dessus.
3. Créer une boucle de service en prenant soin d'éviter tout entortillement. Fixer le tuyau en cuivre (C) au réfrigérateur avec une pince en P (E).



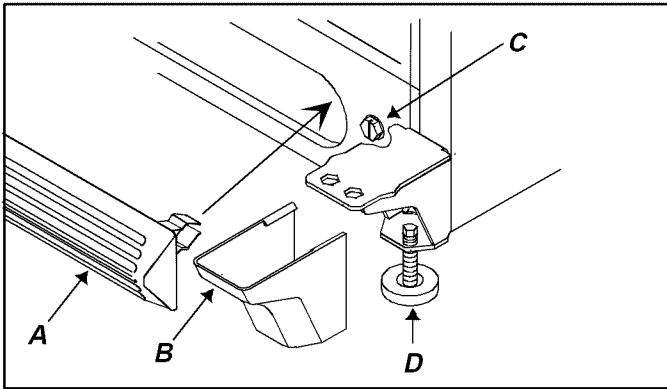
4. Ouvrir l'alimentation en eau du réfrigérateur et vérifier qu'il n'y a pas de fuites. Réparer toute fuite au niveau du raccordement. Veiller à ne pas trop serrer l'écrou.

## Mise à niveau du réfrigérateur

### ATTENTION

Pour éviter tous dommages, protéger les planchers en vinyle ou de tout autre type avec du carton, de la moquette ou un autre matériau protecteur.

1. Brancher le réfrigérateur.
2. Le mettre à son emplacement final.
3. Pour mettre le réfrigérateur à plat, placer un niveau sur le dessus de l'appareil et procéder de la manière suivante:
  - Enlever la grille de ventilation (**A**). Enlever le couvre-charnière inférieur (**B**).
  - Tourner les vis de réglage (**C**) du rouleau à tête hexagonale de  $\frac{3}{8}$  po pour élever ou abaisser le coffrage du réfrigérateur. L'avant du réfrigérateur doit être  $\frac{1}{4}$  po (6 mm), ou  $\frac{1}{2}$  bulle sur le niveau, plus élevé que l'arrière.
  - S'assurer que le réfrigérateur est de niveau d'un côté à l'autre en ajustant la vis de réglage (**C**) à gauche et à droite.
  - Tourner le pied de stabilisation (**D**) dans le sens horaire jusqu'à ce qu'il repose fermement sur le plancher.
4. Remettre la grille de ventilation (**A**) et le couvre-charnière inférieur (**B**). Repérer la flèche imprimée sur l'intérieur de la grille pour déterminer l'emplacement adéquat.
  - Enclencher d'abord la partie supérieure en place. Appuyer sur la partie inférieure de la grille jusqu'à ce qu'elle s'enclenche en place.

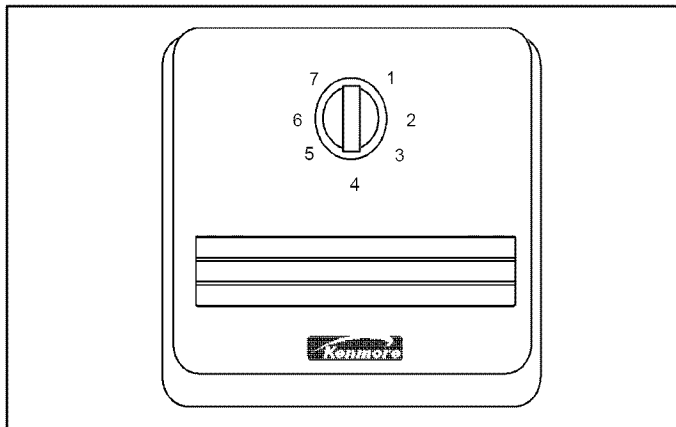


## Commandes

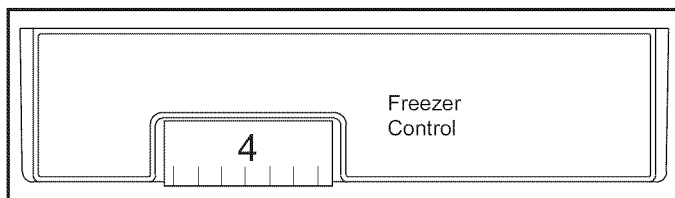
Ce réfrigérateur est conçu pour fonctionner à température ambiante normale à l'intérieur d'une maison, de 55 ° à 110 ° F (13 ° à 43 ° C).

### Thermostats du réfrigérateur et du congélateur

Le thermostat du réfrigérateur se trouve au haut de la paroi arrière du compartiment réfrigérateur.



Le thermostat du congélateur se trouve à l'avant et à gauche du plafond du compartiment congélateur.



### Réglage des thermostats

Lorsque le thermostat du congélateur est sur *OFF* (arrêt), ni le compartiment congélateur ni le compartiment réfrigérateur ne fonctionnent. Au départ, régler ces deux thermostats sur 4. Attendre 24 heures que les compartiments réfrigérateur ou congélateur atteignent la température désirée. Après 24 heures, modifier le réglage, d'un chiffre à la fois, s'il y a lieu. Le réglage le moins froid est 1 et le plus froid 7.

Régler les thermostats précisément à l'aide d'un thermomètre ménager dont la température s'échelonne entre -5° et 50° F (-21° et 10° C).

Placer le thermomètre au milieu des aliments surgelés dans le compartiment congélateur. Attendre 5 à 8 heures. Au bout de cette période de temps, s'il n'indique pas une température située entre 0° et 2° F (-17° et -16° C), ajuster le thermostat du congélateur d'un chiffre à la fois en revérifiant la température 5 à 8 heures plus tard.

Placer le thermomètre dans un verre d'eau au milieu du compartiment réfrigérateur. Attendre 5 à 8 heures. Au bout de cette période de temps, s'il n'indique pas une température située entre 38° et 40° F (3° et 4° C), ajuster le thermostat du réfrigérateur d'un chiffre à la fois en revérifiant la température 5 à 8 heures plus tard.

## Composants du réfrigérateur

### Tablettes du réfrigérateur

Les modèles sont dotés de tablettes anti-éclaboussures et de tablettes coulissantes.



### ATTENTION

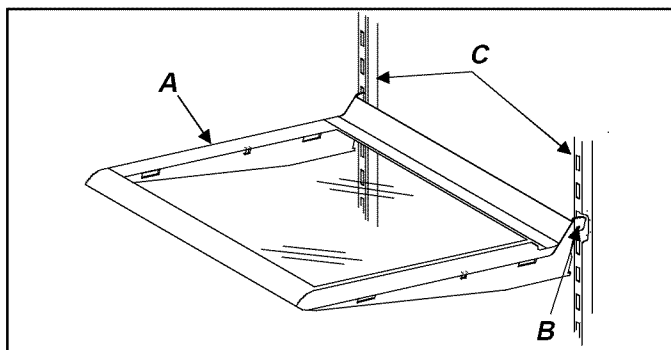
S'assurer que la tablette est stable avant d'y placer des articles afin d'éviter des dégâts.



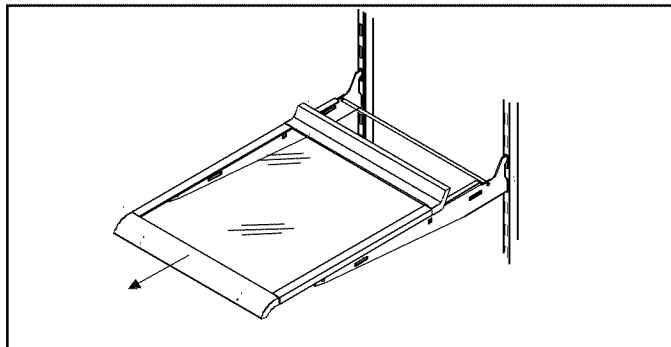
### ATTENTION

Pour éviter tous dommages matériels ou blessures, manipuler les tablettes en verre trempé avec prudence. Celles-ci peuvent se briser brusquement si elles sont égratignées, ébréchées ou soumises à des changements brusques de température.

- Pour enlever les tablettes (A), en soulever l'avant et décrocher les crochets (B) de la crémaillère métallique (C), puis tirer.
- Pour remettre les tablettes (A) en place, insérer les crochets (B) sur la crémaillère métallique (C) et abaisser l'avant.



Les tablettes coulissantes peuvent être tirées comme un tiroir pour faciliter l'accès aux articles qui se trouvent à l'arrière.



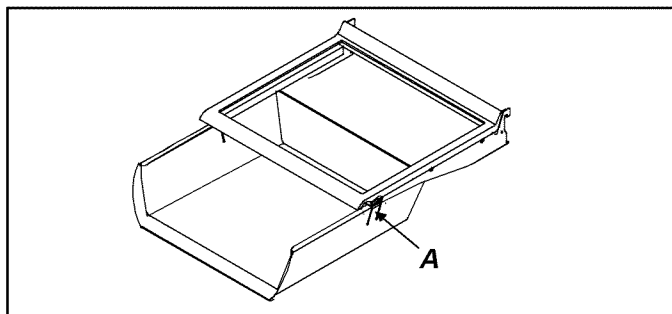
## Deli Center

Le Deli Center procure de l'espace de rangement sous la tablette anti-éclaboussure et peut être tiré vers soi pour faciliter l'accès.

- Retirer le tiroir en le tirant vers soi jusqu'à ce qu'il s'arrête.

Pousser les attaches (**A**) sur les côtés du tiroir et tirer le tiroir vers soi.

- Remettre le tiroir en place en insérant celui-ci dans la crémaillère et en le faisant glisser vers l'arrière.



## Bacs à Légumes

Les bacs à légumes gardent les légumes frais plus longtemps. Bien emballer les légumes. Ne pas les laver avant de les placer dans les bacs. L'humidité excessive peut faire en sorte que les légumes se gâtent prématurément. Ne pas étendre d'essuie-tout dans le fond des bacs car cela retient l'humidité.

La commande des bacs à légumes se trouve sous les moulures avant de la clayette. La commande permet de régler le taux d'humidité dans les tiroirs des bacs à légumes. Faire glisser la commande à *high* (élevé) pour les légumes feuillus tels que la laitue, les épinards ou le chou. Faire glisser la commande à *low* (faible) pour les légumes à peau tels que le chou-fleur, le maïs ou les tomates.

Pour nettoyer ou remettre en place les tiroirs des bacs à légumes, retirer la clayette et les tiroirs en procédant comme suit :

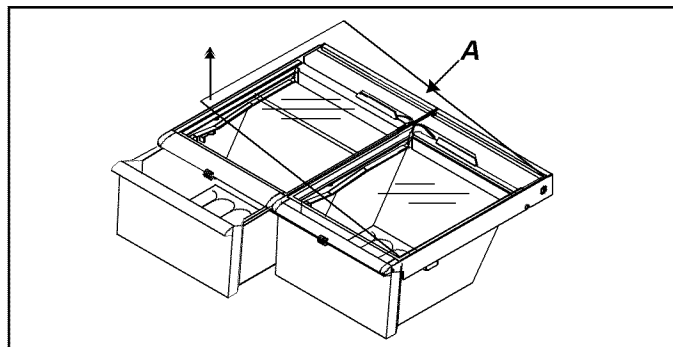
1. Ouvrir le bac à légumes gauche.
  - Pour les portes dont les charnières se trouvent à gauche, ouvrir le bac à légumes droit.



## ATTENTION

Manipuler les tablettes en verre trempé avec soin pour éviter toutes blessures ou dégâts matériels. Les tablettes peuvent se briser soudainement si elles sont ébréchées, égratignées ou exposées à des changements soudains de température.

2. Retirer le dessus en verre du bac à légumes en le poussant doucement par en dessous. Incliner une extrémité puis tirer vers soi.

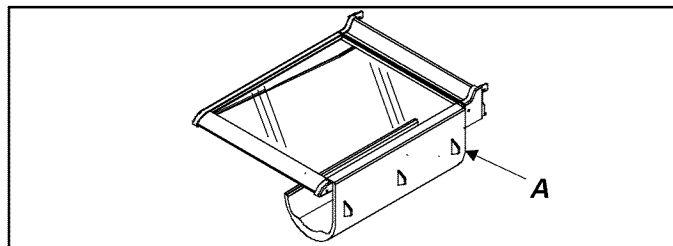


3. Enlever le bac de gauche en soulevant l'avant tout en soutenant le dessous et tirer. Dans le cas d'une porte où les charnières sont à gauche, enlever le bac de droite.
4. Enlever la barre de soutien du creux au centre du bas du compartiment réfrigérateur.
5. Enlever l'autre bac en le faisant glisser vers la paroi opposée. Soulever l'avant tout en soutenant le dessous et tirer.
6. Remettre les bacs et la tablette en place en inversant les étapes 2 à 5 ci-dessus.

## Porte-bouteilles (certains modèles)

Le porte-bouteille (**A**) offre un rangement pratique pour les grandes bouteilles, les cartons d'oeufs, etc.

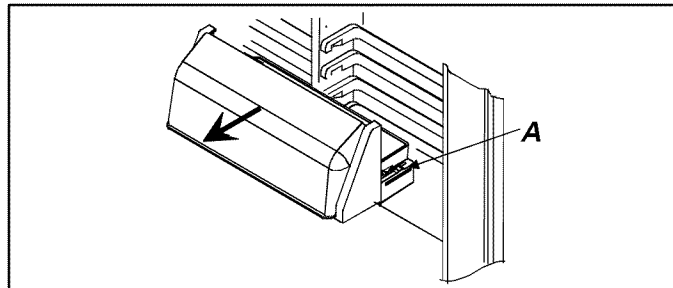
- Pendre le porte-bouteille en le suspendant sur le côté de la tablette.



## Casier laitier

Le casier offre un espace de rangement pratique pour les articles tels que le beurre, le fromage, etc.

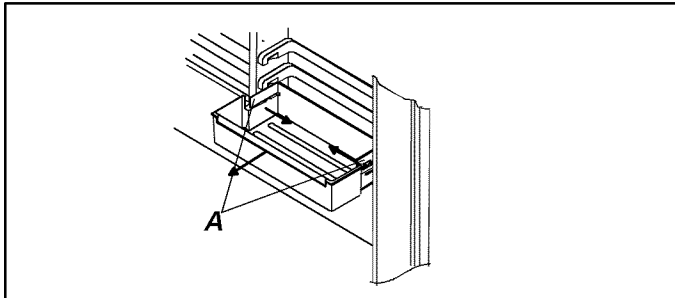
- Pour enlever le casier laitier, soulever la porte, pousser les pattes (**A**) de chaque côté de la tablette vers le bas et tirer.
- Pour remettre le casier laitier en place, le faire coulisser jusqu'à ce que les pattes se bloquent en place, puis abaisser la porte.



## Bacs de porte

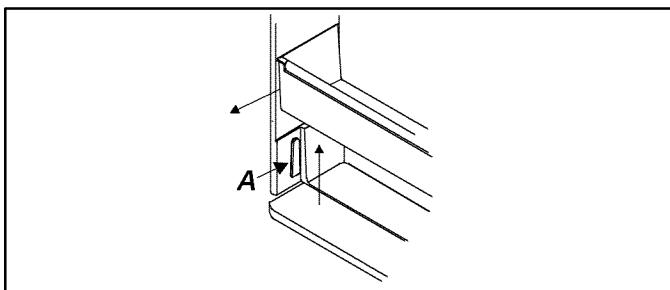
Les bacs sont réglables pour mieux répondre aux besoins individuels de rangement.

- Pour enlever les bacs de porte, pousser les pattes **(A)** de chaque côté de la tablette vers le centre et tirer vers soi.
- Pour remettre les bacs de porte, les glisser en place jusqu'à ce que les pattes **(A)** se bloquent.



## Balconnets de porte

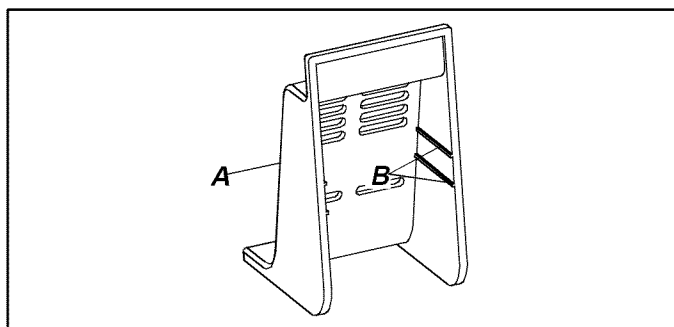
- Pour enlever les balconnets, soulever les extrémités et tirer.
- Pour remettre les balconnets en place, les emboîter sur le guide **(A)** et les abaisser.



## Installation de la cartouche de filtration de l'air

Il faut remplacer la cartouche aux trois mois. Les odeurs fortes de nourriture (par ex., oignons, ail non emballés, etc.) réduiront la durée de vie de la cartouche.

1. Repérer le système de filtration de l'air situé au retour d'air de la caisse du réfrigérateur. Le porte-filtre **(A)** est fixé à la caisse par un Velcro®. Détacher le porte-filtre de la paroi de la caisse.
2. Insérer le filtre en le faisant glisser dans les rainures **(B)**.



## Installation de la cartouche de filtration de l'eau

1. **Il faut retirer la cartouche de dérivation avant de raccorder la canalisation d'eau au réfrigérateur.** Retirer la cartouche de dérivation de la tête du filtre d'eau situé dans le coin arrière droit du réfrigérateur. Tourner la cartouche d'un quart de tour vers la gauche et la tirer vers le bas pour l'enlever. Conserver la cartouche de dérivation pour utilisation future.
2. Voir les *Instructions d'installation et de fonctionnement du système de filtration de l'eau* fournies avec la cartouche du filtre d'eau pour savoir comment installer et faire fonctionner le filtre.

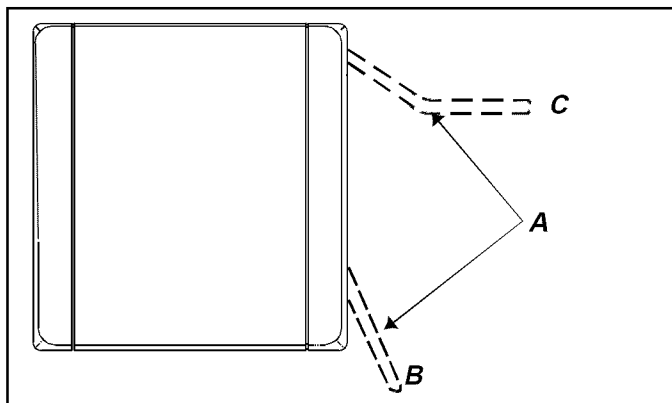
## Composants du congélateur

### Système auto-dégivrant

Aucune accumulation de glace ne peut se produire dans les compartiments réfrigérateur et congélateur. Le dégivrage est automatique et, dans des conditions d'utilisation normale, les compartiments réfrigérateur et congélateur n'auront jamais besoin d'être dégivrés.

### Appareil à glace (certains modèles)

- Vérifier que le bac à glace est bien en place et que le bras-levier **(A)** de l'appareil à glace est abaissé **(B)**.



- Une fois que le compartiment congélateur atteint une température normale, l'appareil à glace se remplit d'eau et commence à fonctionner. Le laisser fonctionner 24 à 48 heures après son installation avant de prendre de la glace. Dans des conditions idéales, l'appareil à glace produit sept à neuf lots de glace par jour.
- Une fois les cubes de glace formés, l'appareil les verse dans le bac à glace. Au fur et à mesure que le bac à glace se remplit, le bras-levier de l'appareil se lève. Quand le bac à glace est plein, le bras-levier de l'appareil arrête la production de cubes de glace.

**Remarque :** Jeter les trois premiers lots de cubes de glace pour éviter la consommation d'impuretés qui ont pu rester dans la conduite après sa pose.

- Pour arrêter la production automatique de glace, soulever le bras-levier **(B)**. Un « clic » se fait entendre quand la position voulue est atteinte. Le bras-levier de l'appareil à glace reste alors dans cette position jusqu'à ce qu'on l'abaisse.



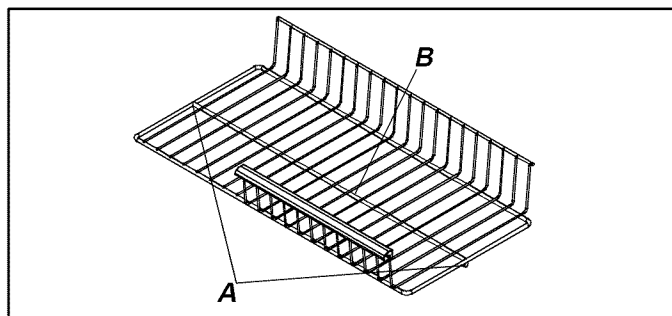
### ATTENTION

Pour éviter tous dommages matériels, s'assurer que la grille est fermement en place avant de mettre des articles dessus.

### Tablette coulissante

Les tablettes coulissantes se tirent vers l'avant pour faciliter l'accès aux articles placés à l'arrière.

- Retirer la tablette coulissante en la faisant glisser vers l'avant jusqu'à ce que la pointe ronde **(A)** se trouvant sous la crémaillère centrale **(B)** s'enclenche dans la rainure de moulage.
- Saisir la tablette par la crémaillère centrale **(B)**, la soulever, puis la retirer.
- Faire glisser la tablette jusqu'à ce que la pointe ronde **(A)** se place dans la rainure de moulage.



### Séparateur de clayette vertical (certains modèles)

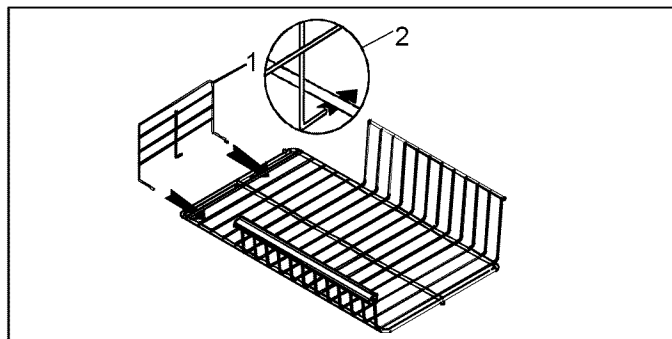
Certains tablettes coulissantes sont dotées d'un séparateur vertical amovible.

Pour installer le séparateur:

1. Faire glisser les pointes du séparateur de tablettes sous la grille désirées, légèrement à l'extérieur de l'axe de la crémaillère centrale.
2. Appuyer sur le dessus du séparateur et faire glisser le crochet sous la crémaillère centrale.

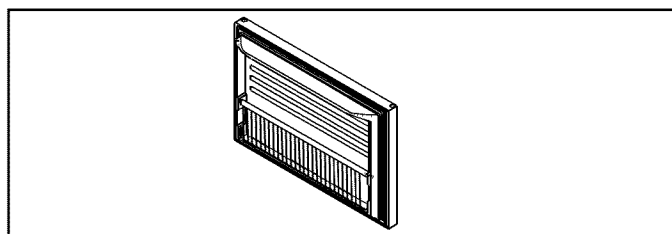
Pour retirer le séparateur:

- Appuyer sur dessus du séparateur et faire glisser le crochet hors de la crémaillère centrale.
- Tirer le séparateur pour dégager les dents de la grille.



### Bac à bascule

Le bac à bascule pratique permet de conserver les aliments congelés dans la porte du congélateur et il bascule vers l'avant pour faciliter l'accès à ces aliments.



## Entretien et nettoyage



### WARNING

Pour éviter tout risque d'électrocution pouvant causer des blessures graves voire mortelles, débrancher le réfrigérateur avant de le nettoyer. Une fois le nettoyage effectué, rebrancher l'appareil.



### ATTENTION

Pour éviter tous dommages matériels ou blessures, lire et suivre toutes les consignes des fabricant concernant le nettoyage.

### Général

*Voir la section Nettoyage de l'acier inoxydable si les portes sont en acier inoxydable.*

- Nettoyer les surfaces avec 4 c. à table de bicarbonate de soude dissout dans un litre d'eau tiède et un linge doux et propre.
  - Pour nettoyer les bandes Velcro®, utiliser de l'eau chaude savonneuse et un linge doux ou une brosse.
- Rincer les surfaces à l'eau tiède et les essuyer avec un linge doux et propre.
  - Ne pas utiliser les articles suivants:
    - produits nettoyants abrasifs ou décapants, ammoniacs, javellisant, etc.
    - détergents ou solvants concentrés
    - tampons à récurer métalliquesCes articles peuvent égratigner, craqueler ou décolorer les surfaces.
  - Ne pas placer les bacs, clayettes, etc. dans le lave-vaisselle.

### Nettoyage de l'acier inoxydable

La garantie ne couvre pas les dommages causés à la finition en acier inoxydable suite à un usage inadéquat ou non recommandé des produits de nettoyage.

- Nettoyer les surfaces avec de l'eau chaude savonneuse et un linge propre et doux ou une éponge.
  - Pour nettoyer les bandes Velcro®, utiliser de l'eau chaude savonneuse et un linge doux ou une brosse.
- Rincer les surfaces avec de l'eau chaude. Les essuyer avec un linge propre et doux.
  - Ne pas utiliser les produits de nettoyage trop puissants qui suivent:
    - produits de nettoyage acides ou abrasifs (ammoniac, javellisant, produits à base de vinaigre, etc.)
    - produits de nettoyage à base de citron
    - tampons à récurer (métalliques, en plastique texturé, etc.)Ils peuvent égratigner, décolorer ou ternir les surfaces en permanence.
- Rincer, puis sécher immédiatement avec un linge propre et doux. Cela évitera que l'eau ne fasse des taches sur la finition en acier inoxydable.

### Adhésifs

- Enlever les résidus de colle en frottant l'adhésif avec du dentifrice jusqu'à ce que celui-ci se décolle.

- Rincer les surfaces à l'eau tiède. Essuyer la surface avec un linge doux et propre.

### Joint de porte

- Nettoyer les joints de porte tous les 3 mois conformément aux instructions de la section "Général".

### Bobine de condensateur

Nettoyer la bobine de condensateur tous les 3 mois afin d'assurer un rendement maximum du réfrigérateur. La poussière accumulée et les peluches peuvent entraîner les problèmes suivants :

- refroidissement moins efficace
  - consommation d'énergie plus élevée
  - défaillance de pièce prématurée
- Enlever la grille en tenant les extrémités et en tirant vers l'avant.
  - Nettoyer la surface avant de la bobine du condensateur avec le suceur d'un boyau d'aspirateur.
  - Replacer la grille en insérant les attaches dans les trous et en les mettant en place avec un claquement.
  - Soulever le pied de stabilisation (sur certains modèles) en le tournant dans le sens antihoraire.



### ATTENTION

Pour éviter tous dégâts matériels, recouvrir le plancher en vinyle mou ou tout autre type de plancher avec du carton, des tapis ou autre matériel de protection.

- Éloigner le réfrigérateur du mur. Passer la brosse de l'aspirateur sur la grille, au dos du réfrigérateur.

### Clayettes en verre



### ATTENTION

Pour éviter tous dégâts matériels ou toutes blessures corporelles, manipuler les clayettes en verre trempé avec soin. Celles-ci peuvent casser soudainement si elles sont entaillées, égratignées ou exposées à un changement soudain de température.

Enlever la clayette en soulevant le devant, en relâchant les crochets de la tringle en métal, puis en tirant. Placer la clayette sur une serviette. La laisser s'adapter à la température ambiante avant de procéder au nettoyage.

Nettoyer les fentes en suivant ces étapes:

- Diluer un détergent doux et appliquer la solution à l'intérieur des fentes en brossant celles-ci à l'aide d'une à poils en plastique. Laisser pénétrer durant 5 minutes.
- Vaporiser de l'eau tiède à l'intérieur des fentes à l'aide d'un vaporisateur conçu à cet effet.
- Sécher la clayette à fond et replacer celle-ci en insérant les crochets dans la tringle en métal et en rabaisant le devant.

### Suppression des odeurs

- Enlever toute la nourriture et débrancher le réfrigérateur.
- Nettoyer toutes les surfaces intérieures, notamment la partie supérieure, la partie inférieure et les parois conformément aux instructions « générales ». Porter

une attention spéciale aux coins, fissures et rainures, de même qu'aux tiroirs, clayettes et joints.

- Nettoyer et essuyer toutes les bouteilles, tous les contenants et les pots avant de remettre la nourriture dans le réfrigérateur. Emballer la nourriture dans des récipients scellés hermétiquement afin de prévenir l'émanation d'odeurs. Après 24 heures, vérifier si l'odeur persiste toujours.

Si l'odeur persiste, procéder de la façon suivante:

- Recommencer les étapes 1 et 2.
- Placer les légumes croquants du jardin sur la clayette supérieure du compartiment Aliments frais. Recouvrir les compartiments Aliments frais et congélateur, notamment les portes, avec des feuilles de papier journal noir et blanc chiffonnées.
- Disposer les briquettes de charbon de bois un peu partout sur le papier journal.
- Fermer les portes et laisser en place durant 24 à 48 heures.
- Enlever les briquettes de charbon de bois et les journaux.
- Recommencer les étapes 2 et 3.

Si l'odeur n'a toujours pas été éliminée, contacter un centre de service après-vente Sears.

## Remplacement des ampoules électriques

### MISE EN GARDE

Pour éviter des blessures graves ou le décès par électrocution, débrancher le réfrigérateur avant de remplacer l'ampoule. Une fois l'ampoule remplacée, rebrancher le réfrigérateur.

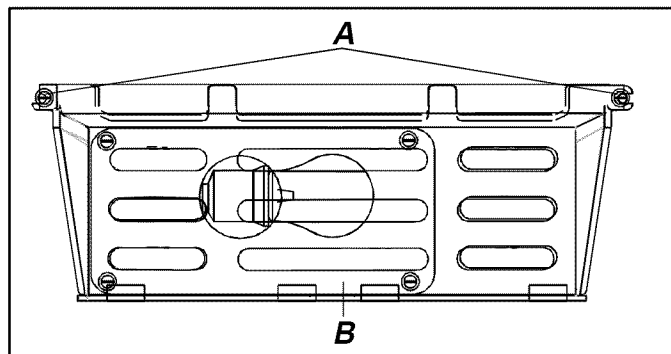
### ATTENTION

Pour éviter tous dommages matériels ou blessures, procéder comme suit:

- Laisser l'ampoule refroidir.
- Porter des gants pour remplacer l'ampoule.

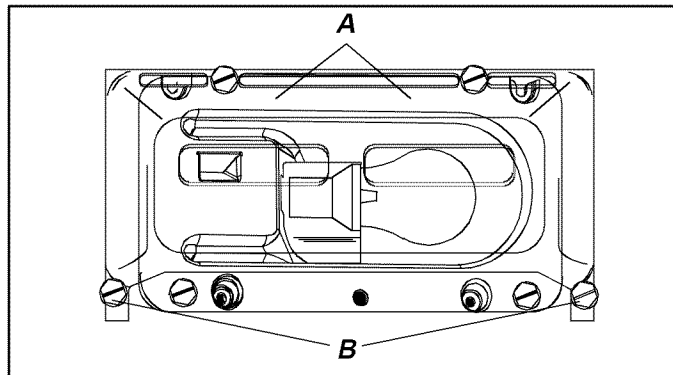
## Ampoules électrique de réfrigérateur

- Retirer le couvre-ampoule (**B**) en enlevant les vis (**A**) à tête hexagonale de 1/4 po (6 mm). Remplacer par une ampoule n'excédant pas 60 watts.
- Remettre le couvre-ampoule (**B**) en place en remettant les vis (**A**) à tête hexagonale de 1/4 po (6 mm) en place.



## Ampoules électrique de congélateur

- Retirer le couvre-ampoule (**A**) en enlevant les vis (**B**) à tête hexagonale de 1/4 po (6 mm). Remplacer par une ampoule n'excédant pas 60 watts.
- Remettre le couvre-ampoule (**A**) en place en remettant les vis (**B**) à tête hexagonale de 1/4 po (6 mm) en place.



## Conseils pour les vacances

Pour les vacances de courte durée, procéder comme suit :

- Enlever les denrées périssables.
- Si le réfrigérateur est équipé d'un appareil à glace, placer le bras-levier en position *off* (*position d'arrêt*). (Voir la partie « Appareil à glace ».)

Pour les vacances de longue durée, procéder comme suit :

- Enlever les aliments des compartiments congélateur et réfrigérateur.
- Débrancher l'appareil.
- Nettoyer l'appareil, joints compris, en suivant les indications générales fournies dans la section « Entretien » du manuel.
- Ouvrir et bloquer les portes de façon à ce que l'air circule à l'intérieur des compartiments.
- Si le réfrigérateur est équipé d'un appareil à glace, couper l'alimentation en eau à l'appareil et mettre le bras-levier en position *off* (*arrêt*). (Voir la partie « Appareil à glace ».) Conseils pour des économies

## Conseils pour des économies d'énergie

- Faire fonctionner le réfrigérateur à température normale, de 55° à 110° F (13° à 43° C), loin de toute source de chaleur ou de la lumière directe du soleil.
- Régler le thermostat des compartiments congélateur et réfrigérateur et du bac à viande à température contrôlée sur un réglage qui ne soit pas à une température plus froide que nécessaire.
- Garder le compartiment congélateur plein.
- Garder les joints des portes propres et souples. Les remplacer s'ils sont usés.
- Garder les serpentins du condenseur propres.

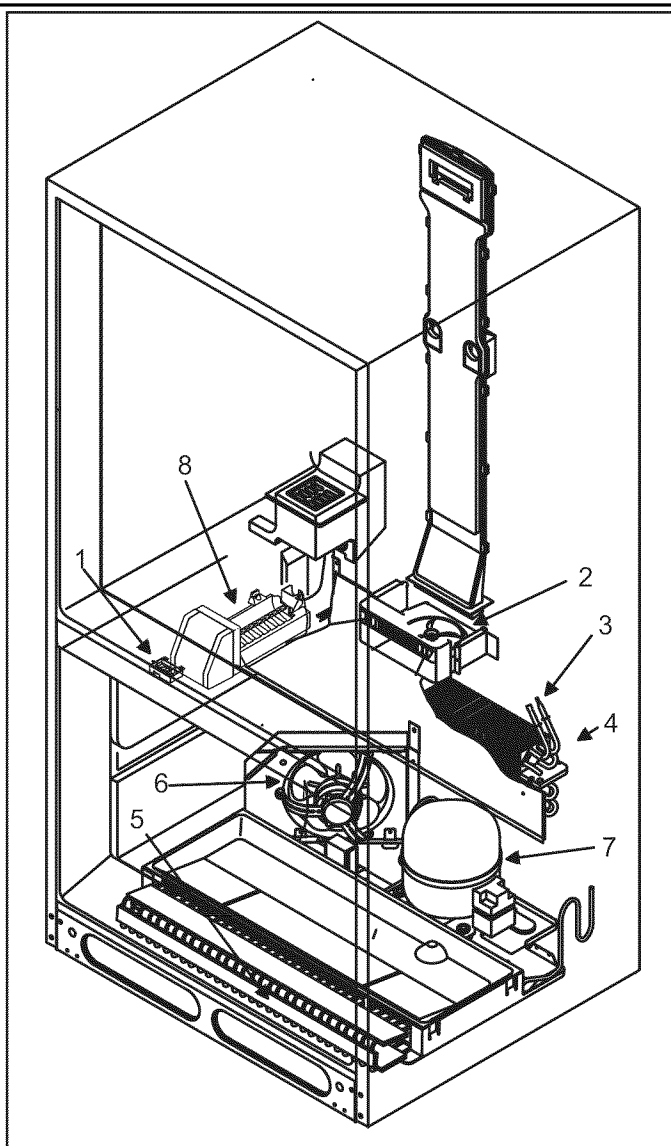
## Bruits normaux

Ce réfrigérateur peut remplacer un modèle d'une conception différente, à plus grande consommation en électricité ou plus petit. Les réfrigérateurs actuels sont dotés de nouveaux composants et de nouvelles fonctions et ils consomment moins d'électricité. Il en résulte qu'ils peuvent produire des bruits qui ne vous sont pas familiers. Ces bruits sont normaux et vous serez rapidement familiers. Ils indiquent également que le réfrigérateur est en marche et qu'il fonctionne comme prévu.

1. **Le thermostat du congélateur** produit un « clic » lors de la mise en marche et de l'arrêt du compresseur.
2. **Le ventilateur du congélateur** ronronne et l'air brassé produit un certain bruit.
3. **Le système de réfrigération scellé** (évaporateur/ échangeur de chaleur) contient du liquide réfrigérant qui fait différents bruits de liquide, y compris celui de l'eau qui bout.
4. **La résistance de dégivrage** grésille, siffle ou produit des claquements.
5. La minuterie de dégivrage émet un son qui ressemble à celui d'un réveille-matin électrique et se déclenche et s'arrête au début et à la fin du cycle de dégivrage.
6. L'air du ventilateur du condensateur se déplace rapidement et émet un son semblable à un ronronnement.
7. Le compresseur émet un bourdonnement ou une vibration.
8. Les glaçons provenant de la machine à glace tombent dans le bac à glaçons.

Le raccord du robinet de la machine à glace bourdonne lorsque la machine à glace se remplit d'eau. Cela se produit peu importe si le réfrigérateur est raccordé ou non à l'alimentation en eau. Si le réfrigérateur n'est pas raccordé à l'alimentation en eau, le bruit cesse lorsque le levier de la machine à glace est à la position «off» (arrêt).

**Remarque :** La mousse est un excellent isolant sur le plan thermique et de la consommation d'électricité. Ce n'est cependant pas un isolant acoustique aussi efficace que la fibre de verre, qui était utilisée auparavant dans les réfrigérateurs.



## Avant d'appeler le service de dépannage

Problème	Solution
Le réfrigérateur ne fonctionne pas.	<ul style="list-style-type: none"> <li>• Vérifier que le thermostat du compartiment congélateur est sur un réglage de marche.</li> <li>• Vérifier que le réfrigérateur est branché. S'il ne l'est pas, brancher fermement le cordon dans une prise sous tension de la tension qui convient.</li> <li>• Vérifier le fusible ou le disjoncteur. Brancher un autre appareil dans la prise murale. S'il ne fonctionne pas, remplacer le fusible ou réenclencher le disjoncteur.</li> <li>• Si le thermostat est sur un réglage de marche, que la lumière s'allume mais que les deux ventilateurs et le compresseur ne fonctionnent pas, il se peut que le réfrigérateur soit en cycle de dégivrage. Attendre 40 minutes et vérifier si le réfrigérateur s'est remis en marche.</li> </ul>
Le réfrigérateur ne fonctionne toujours pas.	<ul style="list-style-type: none"> <li>• Débrancher le réfrigérateur. Transférer son contenu dans un autre réfrigérateur ou mettre de la glace carbonique dans le compartiment congélateur pour protéger la nourriture. Appeler le service de dépannage.</li> </ul>
Les denrées ne semblent pas assez froides.	<ul style="list-style-type: none"> <li>• Voir les points ci-dessus.</li> <li>• Laisser à l'appareil suffisamment de temps pour que les aliments non froids récemment ajoutés puissent atteindre la température voulue dans les compartiments réfrigérérateur ou congélateur. L'ajout de nourriture augmente la température dans le réfrigérateur et celui-ci peut prendre quelques heures avant de revenir à sa température de fonctionnement normale.</li> <li>• Vérifier que les joints assurent la fermeture hermétique des portes.</li> <li>• Nettoyer le serpentin du condenseur. Voir sous "Serpentins du condenseur" dans la partie "Entretien".</li> <li>• Ajuster le thermostat des compartiments réfrigérateur et congélateur. Voir sous "Réglage des thermostats" dans la partie "Commandes".</li> <li>• La lumière du compartiment réfrigérateur ou congélateur reste allumée. Le cas échéant, retirer l'ampoule et appeler le service après-vente.</li> <li>• Les orifices de ventilation sont bloqués, ce qui réduit la circulation d'air. Les localiser en passant la main pour sentir d'où l'air vient et déplacer les paquets qui bloquent les orifices de ventilation et ainsi la circulation d'air.</li> </ul>
Le bac à viande est à une température insuffisamment froide.	<ul style="list-style-type: none"> <li>• Mettre le thermostat sur un réglage plus froid.</li> <li>• Mettre le thermostat du compartiment congélateur sur un réglage plus froid. Voir sous "Réglage des thermostats" dans la partie "Commandes".</li> </ul>
Les denrées sont trop froides.	<ul style="list-style-type: none"> <li>• Nettoyer le serpentin du condenseur. Voir sous "Serpentins du condenseur" dans la partie "Entretien".</li> <li>• Ajuster le thermostat du compartiment réfrigérateur. Voir sous "Réglage des thermostats" dans la partie "Commandes".</li> <li>• Mettre le thermostat du compartiment congélateur sur un réglage moins froid. Voir sous "Réglage des thermostats" dans la partie "Commandes". Attendre plusieurs heures que la température se stabilise.</li> </ul>
Le réfrigérateur se met en marche trop fréquemment.	<ul style="list-style-type: none"> <li>• Cela peut être nécessaire pour maintenir la température au niveau désiré.</li> <li>• Les portes ont pu être ouvertes trop souvent ou trop longtemps. Lorsque la porte est ouverte, l'air chaud et humide pénètre dans le réfrigérateur. Plus la porte est ouverte, plus le réfrigérateur a d'air chaud à refroidir.</li> <li>• Laisser à l'appareil suffisamment de temps pour que des aliments non froids récemment ajoutés puissent atteindre la température voulue dans les compartiments réfrigérérateur ou congélateur. Il peut falloir plusieurs heures avant que le réfrigérateur ne retourne à sa température normale.</li> <li>• Nettoyer le serpentin du condenseur. Voir sous "Serpentins du condenseur" dans la partie "Entretien".</li> <li>• Ajuster le thermostat du compartiment congélateur. Voir sous "Réglage des thermostats" dans la partie "Commandes".</li> <li>• Vérifier que les joints assurent la fermeture hermétique des portes.</li> <li>• La lumière du compartiment congélateur reste allumée.</li> <li>• Le cas échéant, retirer l'ampoule et appeler le service après-vente.</li> </ul>
Des gouttes d'eau se forment à l'intérieur du réfrigérateur.	<ul style="list-style-type: none"> <li>• Ceci est normal pendant les périodes de forte humidité ou si les portes sont fréquemment ouvertes.</li> <li>• Bien enrober les aliments et essuyer les récipients humides avant de les placer dans le réfrigérateur afin d'éviter toute accumulation d'humidité.</li> </ul>
Des gouttes d'eau se forment à l'extérieur du réfrigérateur.	<ul style="list-style-type: none"> <li>• Vérifier que les joints des portes ferment hermétiquement.</li> <li>• Ceci est normal pendant les périodes de forte humidité ou si les portes sont fréquemment ouvertes.</li> </ul>

## Avant d'appeler le service de dépannage

Problème	Solution
Le bac à légumes ou le Deli Center ne se ferme pas facilement.	<ul style="list-style-type: none"> <li>• Vérifier si un emballage empêche le tiroir de fermer correctement.</li> <li>• S'assurer que le tiroir est en place.</li> <li>• Nettoyer les cannelures du tiroir avec de l'eau tiède savonneuse. Rincer et sécher à fond.</li> <li>• Appliquer une mince couche de gelée de pétrole dans les cannelures du tiroir.</li> <li>• S'assurer que le réfrigérateur est de niveau.</li> </ul>
Une odeur persiste dans le réfrigérateur.	<ul style="list-style-type: none"> <li>• Voir les instructions "Suppression des odeurs" dans la section "Entretien et nettoyage".</li> <li>• La cartouche du filtre à air doit possiblement être changée. Voir la rubrique "filtre à air" pour savoir comment procéder.</li> </ul>
Le réfrigérateur émettent des sons peu familiers ou trop bruyants.	<ul style="list-style-type: none"> <li>• Cela est peut-être normal. Voir la section "Bruits de fonctionnement normaux".</li> </ul>
Les glaçons dégagent une odeur.	<ul style="list-style-type: none"> <li>• Voir les explications sous "Élimination des odeurs" dans la partie "Entretien" de ce manuel.</li> <li>• L'appareil à glace vient d'être installé. Jeter les premiers lots de glace pour éviter des cubes de glace décolorés ou qui ont un goût.</li> <li>• La nourriture n'est pas emballée hermétiquement dans le congélateur ou le réfrigérateur. La réemballer car les odeurs peuvent alors passer dans la glace.</li> <li>• Jeter les cubes de glace et nettoyer le bac à glace ou les moules à cubes de glace plus fréquemment. Les cubes de glace sont très poreux et absorbent facilement les odeurs.</li> <li>• L'alimentation en eau contient des minéraux comme le soufre. Dans certains cas, un filtre pourra devoir être installé sur la conduite pour éliminer les problèmes de mauvais goût et d'odeur.</li> </ul>
Les glaçons collent les uns aux autres ou "rétrécissent".	<ul style="list-style-type: none"> <li>• Vider le seau à glace ou les bacs à glaçons plus fréquemment. Si on les laisse trop longtemps dans le congélateur, les glaçons collent les uns aux autres ou rétrécissent.</li> </ul>
L'appareil à glaçons (sur certains modèles) ne fabrique pas de glaçons.	<ul style="list-style-type: none"> <li>• La pression de l'eau peut être trop faible ou trop élevée. L'appareil à glace exige une pression de l'alimentation en eau de 20 à 100 psi (138 à 827 kPa) pour fonctionner correctement.</li> <li>• S'assurer que le bras de l'appareil à glaçons est tourné vers le bas.</li> <li>• S'assurer que l'alimentation en eau domestique atteint la soupape d'eau.</li> <li>• Un robinet auto-taradeur ou un robinet à étrier de <math>\frac{3}{16}</math> po (5mm) a été utilisé pour le raccordement. L'une comme l'autre réduisent le débit d'eau et peuvent se boucher au fil des années. Les remplacer par un robinet d'arrêt exigeant le percement d'un trou de <math>\frac{1}{4}</math> po (6mm) dans la conduite d'alimentation en eau avant d'y fixer le robinet.</li> <li>• S'assurer que le faisceau de l'appareil à glaçons est complètement inséré dans les trous appropriés.</li> <li>• Vérifier s'il le tuyau de plastique ou de cuivre comporte des entortillements. Défaire les entortillements ou remplacer le tuyau.</li> <li>• Vérifier les raccords électriques de la bobine de soupape d'eau et du bloc de raccordement sur le meuble du réfrigérateur.</li> <li>• S'assurer que la section congélateur fonctionne à la température appropriée.</li> </ul>
L'appareil à glace ne produit pas assez de glace.	<ul style="list-style-type: none"> <li>• Il a été installé récemment ou une grande quantité de glace vient d'être utilisée. Attendre 24 heures que la production commence et que la provision de cubes de glace soit reconstituée.</li> <li>• Vérifier que l'alimentation en eau de la maison arrive à l'électrovanne. S'assurer que le robinet d'arrêt est complètement ouvert.</li> <li>• Un robinet auto-taradeur ou un robinet à étrier de <math>\frac{3}{16}</math> po (5mm) a été utilisé pour le raccordement. L'une comme l'autre réduisent le débit d'eau et peuvent se boucher au fil des années. Les remplacer par un robinet d'arrêt exigeant le percement d'un trou de <math>\frac{1}{4}</math> po (6mm) dans la conduite d'alimentation en eau avant d'y fixer le robinet.</li> <li>• Vérifier que la conduite en cuivre ou la tubulure en plastique ne sont pas pliées. Redresser la conduite ou la tubulure ou les remplacer.</li> <li>• Vérifier que le compartiment congélateur fonctionne à la bonne température. Celui-ci doit être suffisamment froid pour produire de la glace. Voir sous "Réglage des thermostats".</li> </ul>
De la glace se forme dans le tuyau d'entrée de l'appareil à glaçons (sur certains modèles)	<ul style="list-style-type: none"> <li>• Vérifier la pression d'eau. Une pression d'eau trop faible cause des fuites dans la soupape. Les soupapes qui se percent d'elles-mêmes font diminuer la pression d'eau.</li> <li>• Un robinet auto-taradeur ou un robinet à étrier de <math>\frac{3}{16}</math> po (5mm) a été utilisé pour le raccordement. L'une comme l'autre réduisent le débit d'eau et peuvent se boucher au fil des années. Les remplacer par un robinet d'arrêt exigeant le percement d'un trou de <math>\frac{1}{4}</math> po (6mm) dans la conduite d'alimentation en eau avant d'y fixer le robinet.</li> </ul>

VELCRO® est une marque déposée de Velcro Industries B.V.



For in-home major brand repair service:  
Call 24 hours a day, 7 days a week

**1-800-4-MY-HOME<sup>SM</sup>** (1-800-469-4663)

Para pedir servicio de reparación – 1-800-676-5811

Au Canada pour tout le service – 1-877-LE FOYER<sup>SM</sup> (1-877-533-6937)

For the repair or replacement parts you need:  
Call 6 a.m. – 11 p.m. CST, 7 days a week

**PartsDirect<sup>SM</sup>**

**1-800-366-PART** (1-800-366-7278)

[www.sears.com/partsdirect](http://www.sears.com/partsdirect)

Para ordenar piezas – 1-800-659-7084

For a Sears Service Center location in your area:  
Call 24 hours a day, 7 days a week

**1-800-488-1222**

For a Sears Maintenance Agreement purchase or inquiry:  
Call 7 a.m.–5 p.m. CST, Monday–Saturday

**1-800-827-6655**

