



OWNER'S MANUAL
MANUEL DU PROPRIÉTAIRE
MANUAL DEL PROPIETARIO

PORTABLE AIR CONDITIONER Owner's Manual.....	1 - 14
CLIMATISEUR PORTABLE Manuel du propriétaire.....	15 - 28
AIRE ACONDICIONADO PORTÁTIL Manual del propietario.....	29 - 42



MODEL • MODÈLE • MODELO
DPA120DBAUGDB



Welcome

Welcome to the Danby family. We are proud of our quality products and we believe in dependable service. We suggest that you read this owner's manual before plugging in your new appliance as it contains important operation information, safety information, troubleshooting and maintenance tips to ensure the reliability and longevity of your appliance.

Visit www.Danby.com to access self service tools, FAQs and much more. For additional assistance call **1-800-263-2629**.

Note the information below; you will need this information to obtain service under warranty.

You must provide the original purchase receipt to validate your warranty and receive service.

Model Number: _____

Serial Number: _____

Date of Purchase: _____

Need Help?

Before you call for service, here are a few things you can do to help us serve you better.

Read this owner's manual:

It contains instructions to help you use and maintain your appliance properly.

If you receive a damaged appliance:

Immediately contact the retailer or builder that sold you the appliance.

Save time and money:

Check the troubleshooting section at the end of this manual before calling. This section will help you solve common problems that may occur.



1-800-26- Danby
(1-800-263-2629)



Important Safety Information

READ AND FOLLOW ALL SAFETY INSTRUCTIONS

SAFETY REQUIREMENTS

This appliance is not intended for use by persons (including children) whose physical, sensory or mental capabilities may be different or reduced, or who lack experience or knowledge, unless such persons receive supervision or training to operate the appliance by a person responsible for their safety.

Children should be supervised to ensure that they do not play with the appliance.

To avoid risk of electric shock, do not operate this appliance in an area that is likely to accumulate standing water. If this condition develops, disconnect the power supply before stepping into the water.

Do not store or use combustible materials such as gasoline or other flammable vapors or liquids in the vicinity of this or any other appliance.

Do not insert fingers or other objects into grills or openings in the appliance.

Do not cover or block the intake and exhaust openings.

Do not operate the appliance without the filter installed.

Do not operate the appliance near heat sources.

This appliance is intended for indoor, residential applications only. Do not use this appliance outdoors. Do not use this appliance for commercial or industrial applications.

If the air conditioner is transported on its back or side, it must be allowed to stand upright for 6 hours before plugging in to avoid damage to internal components.

Keep the appliance away from walls, furniture and curtains with a clearance of at least 30 cm (12 inches) on all sides.

GROUNDING INSTRUCTIONS

This appliance must be grounded. Grounding reduces the risk of electrical shock by providing an escape wire for the electrical current.

This appliance has a cord that has a grounding wire with a 3-prong plug. The power cord must be plugged into an outlet that is properly grounded. If the outlet is a 2-prong wall outlet, it must be replaced with a properly grounded 3-prong wall outlet. The serial rating plate indicates the voltage and frequency the appliance is designed for.

WARNING - Improper use of the grounding plug can result in a risk of electric shock. Consult a qualified electrician or service agent if the grounding instructions are not completely understood, or if doubt exists as to whether the appliance is properly grounded.

Do not connect the appliance to extension cords, adapters or together with another appliance in the same wall outlet.

Do not splice the power cord. Do not under any circumstances cut or remove the third ground prong from the power cord.

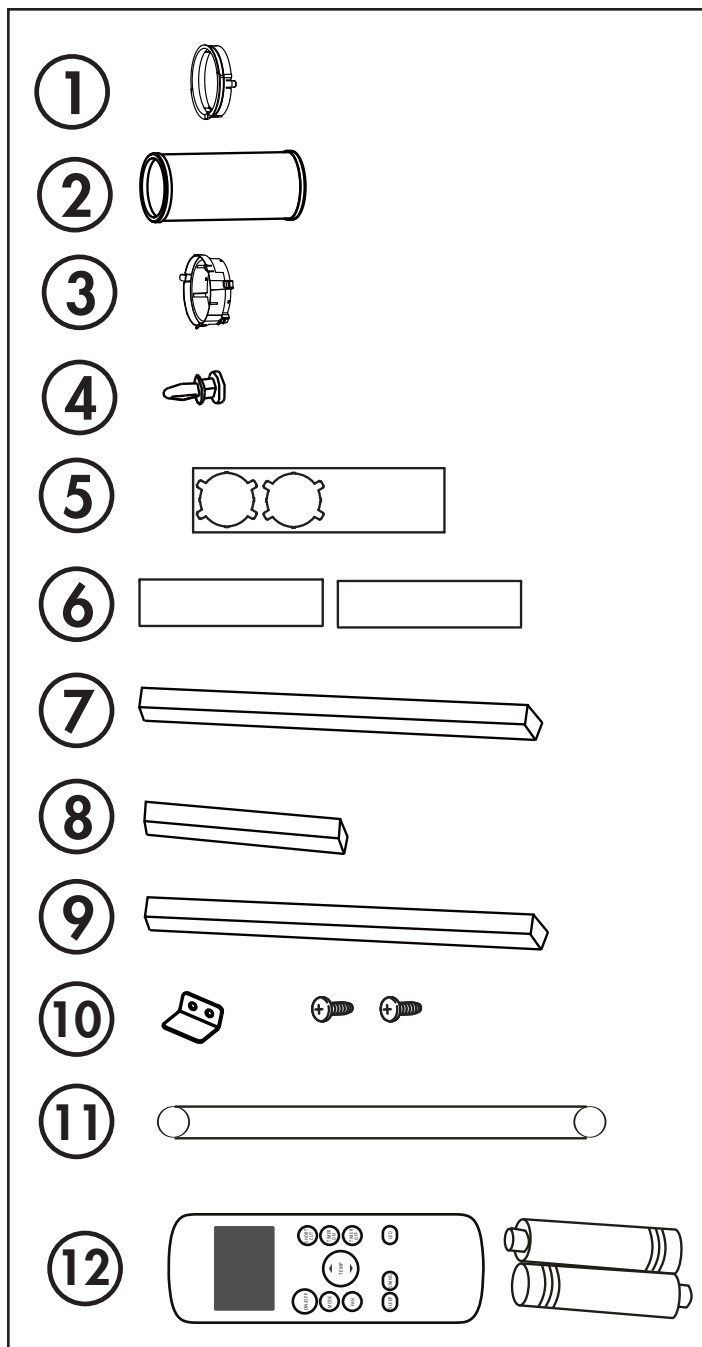
If the power supply cord is damaged, it must be replaced by the manufacturer, its service agent or similar qualified person in order to avoid hazard.

SAVE THESE INSTRUCTIONS!

INSTALLATION INSTRUCTIONS

ACCESSORIES

1. Air outlet adapter (x2)
2. Exhaust hose (x2)
3. Window slider adapter (x2)
4. 2 Bolts
5. Window slider A
6. Window slider B and C
7. Foam seal A (adhesive)
8. Foam seal B (adhesive)
9. Foam seal C (non-adhesive)
10. Security bracket and 2 screws
11. Drain hose
12. Remote control and batteries

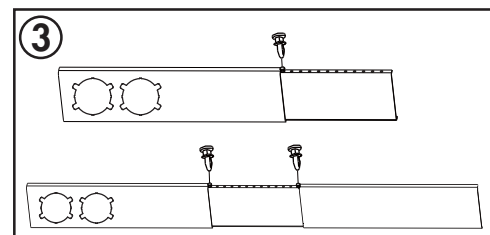
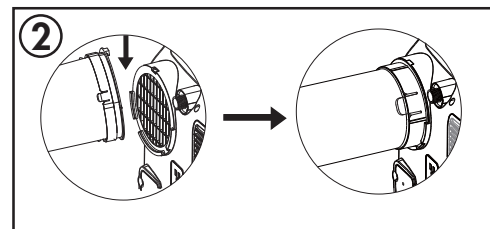
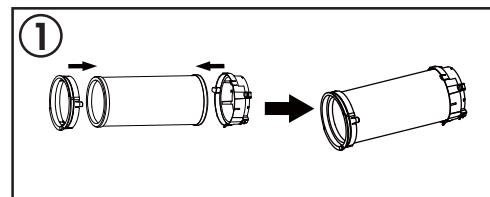


REQUIRED TOOLS

1. Medium sized Phillips screwdriver
2. Tape measure or ruler
3. Knife or scissors
4. Saw (in the event that the window sliders need to be cut to size)

ASSEMBLING THE WINDOW KIT

1. Attach the air outlet adapter and the window slider adapter onto either end of the exhaust hose. Do this for both exhaust hoses.
2. Insert the air outlet adapter into the lower groove of the air outlet on the back of the appliance. Ensure that the hook of the adapter is aligned with the hole seat of the air outlet and then slide down. Do this for both exhaust hoses.
3. Measure the window opening where the window kit will be installed. Assemble as many sliders as necessary to fit the window.
4. If the length of the window requires all three sliders, use two bolts to fasten the sliders at the correct length.
5. If the window opening is less than the minimum length of a single slider, use the slider that has two holes in it and cut it to the correct length. Make sure not to cut the end that has the holes as this is necessary to attach the exhaust hose adapters.



INSTALLATION INSTRUCTIONS

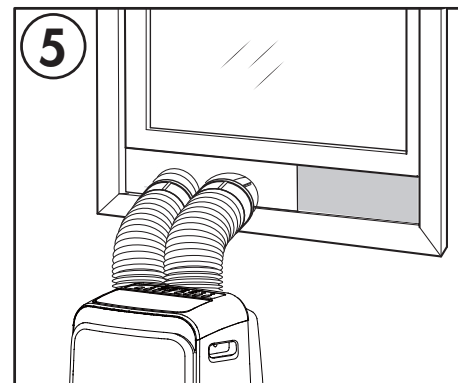
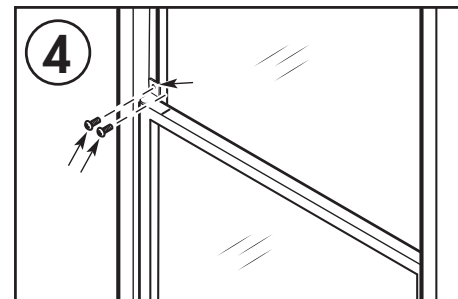
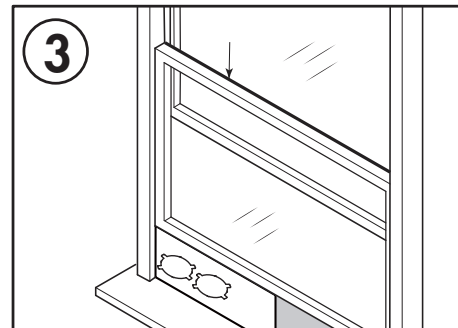
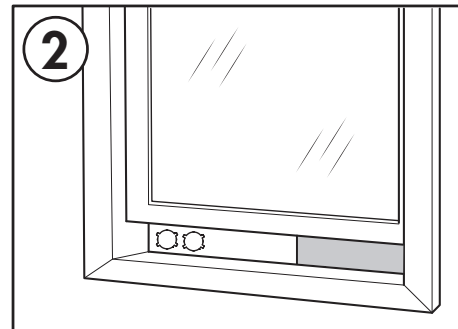
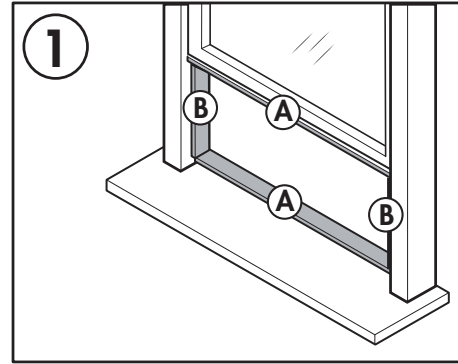
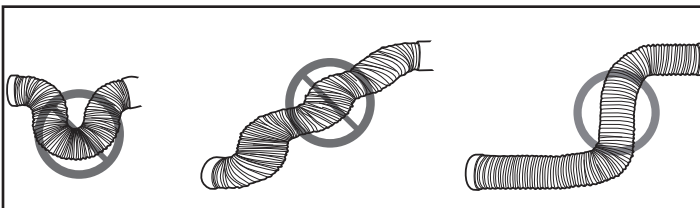
INSTALLING THE WINDOW KIT

There are two possible installation methods depending on the available window type.

Hung Window Installation

1. Cut the adhesive foam seals A and B to the correct length for the window. Attach them to the window sash and frame as shown.
2. Insert the assembled window slider kit into the window opening.
3. Cut the non-adhesive foal seal C to match the width of the window. Insert the foam seal between the glass and the window frame to prevent air and insects from getting into the room.
4. Install the security bracket in the window frame with the two provided screws.
5. Attach the window slider adapters to the holes in the window slider kit.

Note: Do not over extend or bend the hose as this will impede air flow.

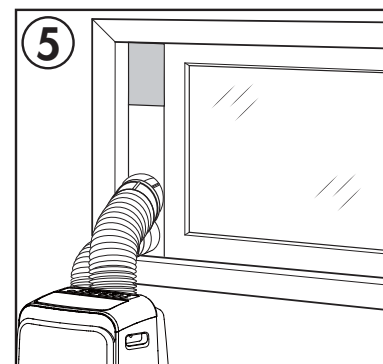
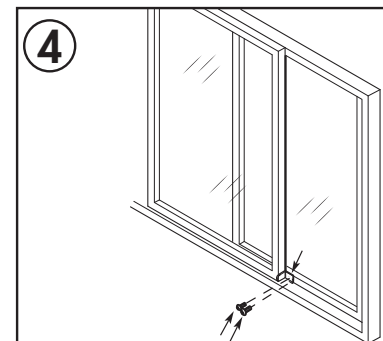
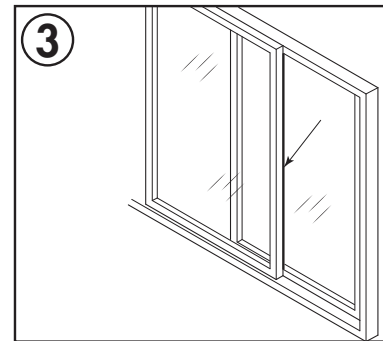
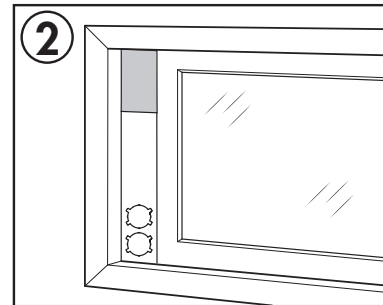
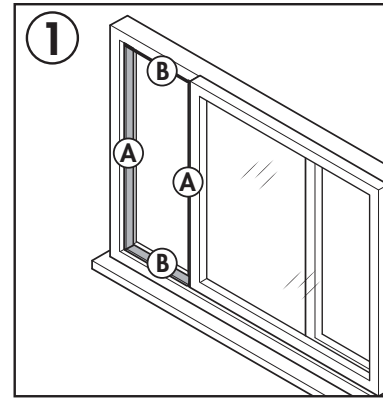
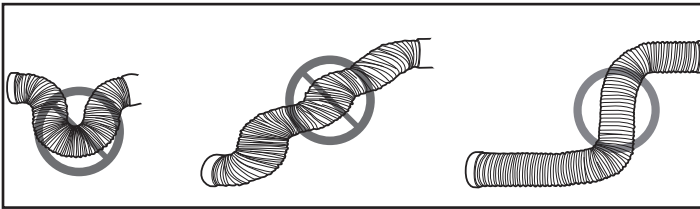


INSTALLATION INSTRUCTIONS

Sliding Window Installation

1. Cut the adhesive foam seals A and B to the correct length for the window. Attach them to the window sash and frame as shown.
2. Insert the assembled window slider kit into the window opening.
3. Cut the non-adhesive foal seal C to match the width of the window. Insert the foam seal between the glass and the window frame to prevent air and insects from getting into the room.
4. Install the security bracket in the window frame with the two provided screws.
5. Attach the window slider adapters to the holes in the window slider kit.

Note: Do not over extend or bend the hose as this will impede air flow.

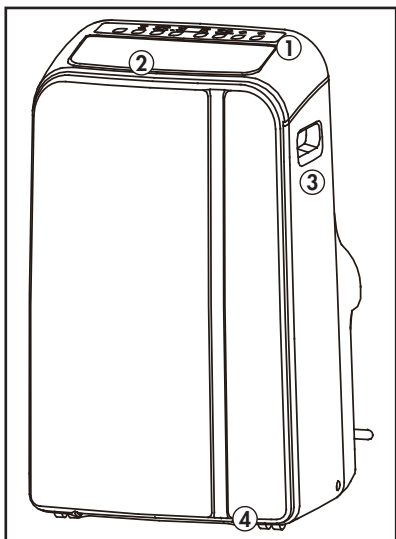


OPERATING INSTRUCTIONS

FEATURES

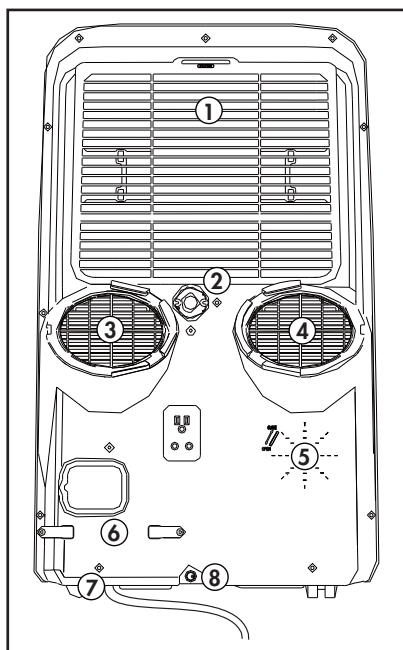
Front

1. Control panel
2. Horizontal louver
3. Handle (both sides)
4. Rollers



Rear

1. Upper air filter and air intake
2. Continuous drain outlet
3. Lower air exhaust
4. Lower air filter and air intake
5. Air vent
6. Power cord storage band
7. Power cord
8. Overflow tray drain outlet



LOCATION

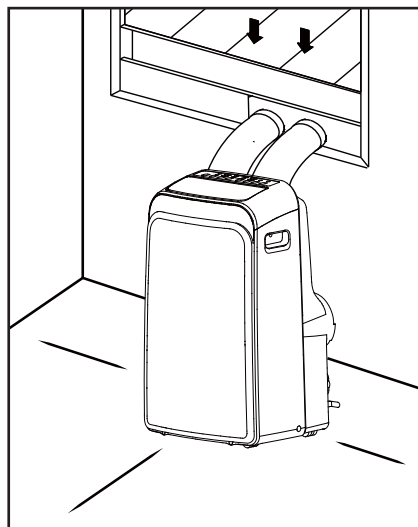
Place the air conditioner on a smooth, level floor that is strong enough to support it and all included accessories.

Make sure the appliance is level to minimize noise and vibration.

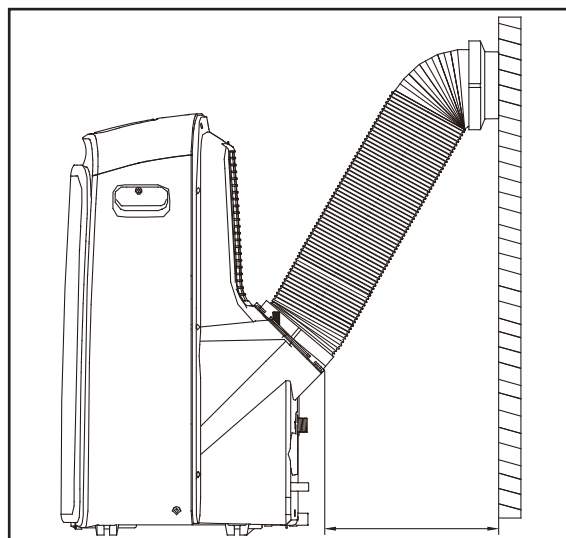
The appliance must be installed near a grounded receptacle and the overflow drain outlet on the rear of the appliance must be accessible.

Do not cover air inlets or outlets or the remote control receiver on the control panel.

The appliance requires 30 cm (12 inches) of clearance on the front and sides.



The appliance requires at least 50 cm (20 inches) of clearance on the back.



OPERATING INSTRUCTIONS

CONTROL PANEL

- 1. Swing Button:** Press to start the auto swing feature. When auto swing is activated, press again to stop the louver at the desired angle.
- 2. Timer Button:** Press to start the Auto-on or Auto-off features. Light will indicate whether a timer is set.
- 3. Mode Button:** Press to select the desired mode. Modes will cycle in sequence with each press of the button; Auto, Cool, Dry, Fan. Light will indicate current mode.
- 4. Up and Down Buttons:**
 - Used to set the temperature and timer.
 - Press and hold both Up and Down buttons for 3 seconds to change the temperature display from °C to °F.
- 5. LED Display:**
 - Shows the set temperature in °C or °F or the auto-timer settings.
 - While on Dry mode shows the relative humidity.
 - When on Fan mode shows the room temperature.
- 6. Fan Button:** Press to select fan speed; normal or high. Light will indicate current speed.
- 7. Sleep Button:** Press to start the Sleep function.
- 8. Power Button:** Press to turn the unit on or off.

Operating Modes

• Cool Mode

Choose Cool Mode to set the cooling function. Use the Up and Down Arrows to choose the desired temperature. When Cool Mode is selected, the fan speed can be adjusted by pressing the fan button.

The temperature can be set within a range of 17 - 30°C (62 - 86°F).

The exhaust hose should be installed during Cool Mode to ensure the best results.

• Dry Mode

Choose Dry Mode to remove excess moisture from the air during periods of high humidity. All water pulled from the air will condense inside the appliance and drain out the back.

The humidity can be adjusted in 5% increments between 35% and 85%.

The fan speed will be automatically set and cannot be modified in Dry Mode.

• Fan Mode

Choose Fan Mode to run the internal fan without engaging the cooling function. Press the fan button repeatedly to choose the fan speed, Low, Med, High or Auto.

• Auto Mode

Auto Mode is a pre-set factory program that automatically defines the mode (Cool or Dry) and fan speed based on the set temperature, the ambient temperature and the ambient humidity.



OPERATING INSTRUCTIONS

Timer Function

To set the Auto-off timer: 

- Ensure the unit is turned on
- Press the Timer button and the Timer Off indicator light will illuminate
- Press the Up or Down buttons to select the desired amount of hours before the unit turns off

To set the Auto-on timer: 

- Ensure the unit is turned off
- Press the Timer button and the Timer On indicator light will illuminate
- Press the Up or Down buttons to select the desired amount of hours before the unit turns on

Notes:

- The Up and Down buttons will increase or decrease the time in 0.5 hour increments up to 10 hours and then in 1 hour increments up to 24 hours
- The display will revert back to showing the previous temperature setting if the unit does not receive a signal within a 5 second period during programming
- Turning the appliance on or off at any time or adjusting the timer setting to 0.0 hours will cancel the Auto-timer settings

Using Timer On and Timer Off Simultaneously

If there is a need for the appliance to turn on, run for a set period of time and then turn off, the on and off timers can be used at the same time by first setting one and then the other. Both indicator lights will illuminate and the display will count down to the appliance either turning off or on, whichever function was set first.

Note: The timer will not cycle the appliance on and off indefinitely. The on and off timers will function one time and then the appliance will return to regular functioning.

Sleep Function

The sleep function can be used to conserve energy during sleeping hours.

When selected, the set temperature will increase by 2 degrees over a 2 hours period. The appliance will hold the new set temperature for 7 hours before automatically returning to normal operation.

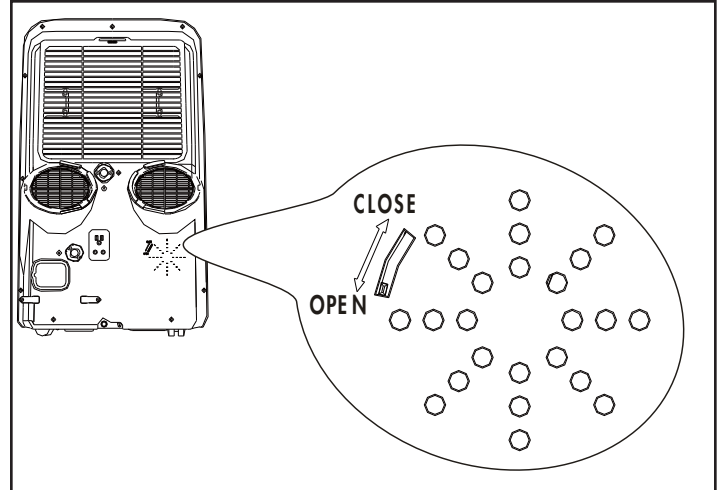
The sleep function can be canceled at any time by pressing the sleep button.

Vent Control

There is a vent on the back of the appliance that can be set to "open" or "closed".

Set the vent to the "open" position and the appliance will draw stale air from within the room and exhaust it to the outside through the exhaust hose.

Set the vent to the "closed" position and the appliance will not draw air from the room.



OPERATING INSTRUCTIONS

REMOTE CONTROL

The remote control functions within a distance of 8 m (26 feet) from the appliance. Reception is confirmed by a beep.

- 1. Power Button:** Press to turn the unit on or off.
- 2. Mode Button:** Press to select the desired mode.
- 3. Fan Button:** Press to select fan speed.
- 4. Sleep Button:** Press to start the sleep function.
- 5. Swing Button:** Press to start the auto swing feature. When auto swing is activated, press again to stop the louver at the desired angle.
- 6. LED Button:** Press to turn the LED display on or off.
- 7. Timer Off Button:** Press to set the Auto-off timer.
- 8. Timer On Button:** Press to set the Auto-on timer.
- 9. Shortcut Button:** Press to set and activate the short cut function.
- 10. Up and Down Buttons:**
 - Used to set the temperature and timer.
 - Press and hold both Up and Down buttons for 3 seconds to change the temperature display from °C to °F.
- 11. LED Display:**
 - Shows the set temperature in °C or °F or the auto-timer settings.
 - While on Dry mode shows the relative humidity.
 - When on Fan mode shows the room temperature.



Shortcut function (only available on remote):

- Used to save a favourite setting.
- Set the appliance to the temperature and fan speed that you would like to set as a favourite.
- Press and hold the Shortcut button for 2 seconds.
- Press the Shortcut button at any point in future to return to the favourite setting.
- If no favourite is set, pressing the Shortcut button will cause the appliance to run in Auto mode at 29°C (79°F), with fan speed set to Auto.

OPERATING INSTRUCTIONS

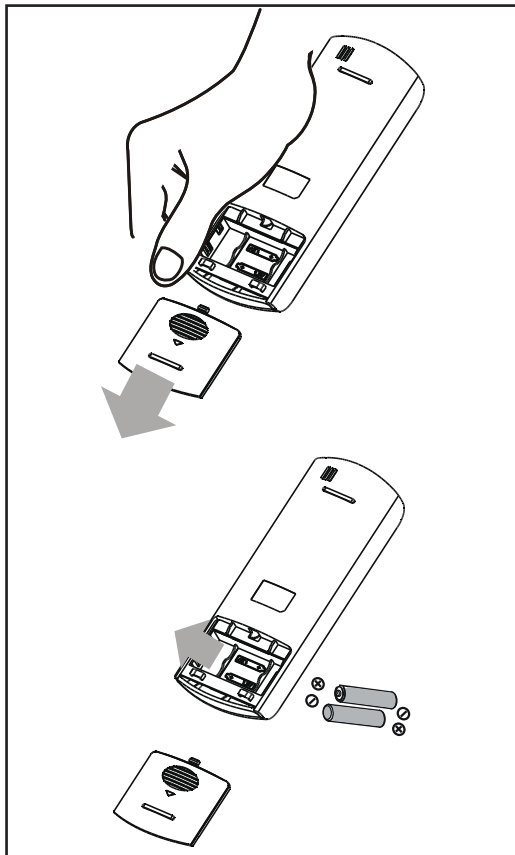
REPLACING THE REMOTE BATTERIES

This air conditioner comes with two AAA batteries. Place the batteries in the remote control before use.

1. Slide the back cover from the remote downward to expose the battery compartment.
2. Insert the batteries, ensure to match the (+) and (-) symbols on the ends of the batteries with the symbols inside the battery compartment.
3. Slide the battery cover back into place.

Notes:

- The air conditioner will not respond if curtains, doors or other materials block the signal from the remote control to the unit.
- Prevent any liquid from contact with the remote control. Do not expose the remote control to direct sunlight or heat.
- If the infrared signal receiver on the indoor unit is exposed to direct sunlight, the air conditioner may not function properly. Use curtains to prevent the sunlight from falling on the receiver.
- Do not mix old and new batteries or batteries of different types.
- Do not leave the batteries in the remote control if it is not going to be used for more than 2 months.



This equipment has been tested and found to comply with the limits for a Class B digital device, pursuant to Part 15 of the FCC Rules. These limits are designed to provide reasonable protection against harmful interference in a residential installation. This equipment generates, uses and can radiate radio frequency energy and, if not installed and used in accordance with the instructions, may cause harmful interference to radio communications. However, there is no guarantee that interference will not occur in a particular installation.

If this equipment does cause harmful interference to radio or television reception, which can be determined by turning the equipment off and on, the user is encouraged to try to correct the interference by one or more of the following measures:

1. Reorient or relocate the receiving antenna
2. Increase the separation between the equipment and receiver
3. Connect the equipment into an outlet on a circuit different from that to which the receiver is connected
4. Consult the dealer or an experienced radio/TV technician for help

Changes or modifications not approved by the party responsible for FCC compliance could void the user's authority to operate the equipment. This appliance complies with Part 15 of the FCC Rules.

Operation is subject to the following conditions:

1. This device may not cause harmful interference.
2. This device must accept any interference received, including interference that may cause undesired operation.

This device complies with Canadian CAN ICES-3 (B) / NMB-3 (B)

IMPORTANT

Do not dispose of batteries as unsorted municipal waste. Refer to local laws for proper disposal of batteries.

OPERATING INSTRUCTIONS

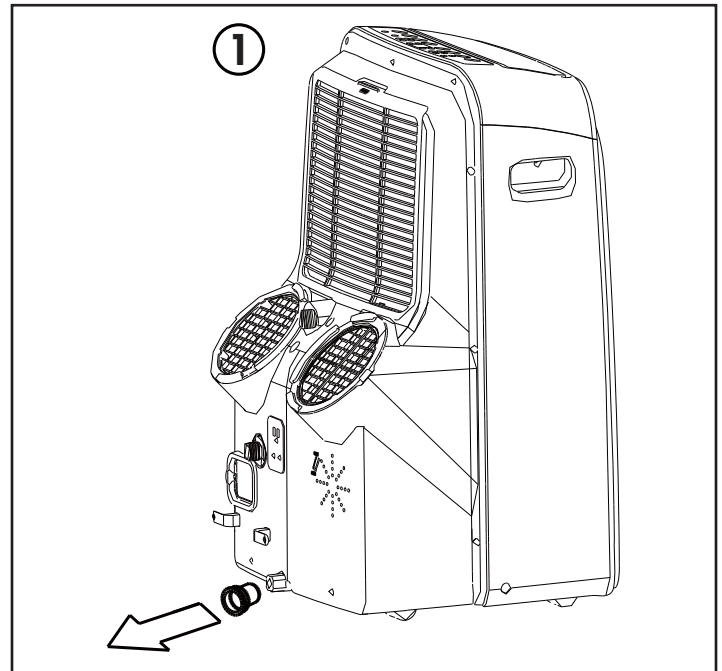
WATER DRAINAGE

When the internal drain pan becomes full the appliance will beep 8 times and the digital display will show error code P1. The air conditioning or dehumidifying action will stop but the fan may continue to operate.

There are two methods to drain water from the appliance.

1. Drain Plug

1. Turn the appliance off and unplug it from the power source.
2. Carefully move the appliance to a location where the water can be drained.
3. Remove the drain plug and allow the water to completely drain.
4. Replace the bottom drain plug, pressing firmly to ensure a tight fit and no leaks.
5. The P1 error symbol will disappear and the appliance will resume regular function once power is restored.



2. Continuous Drain

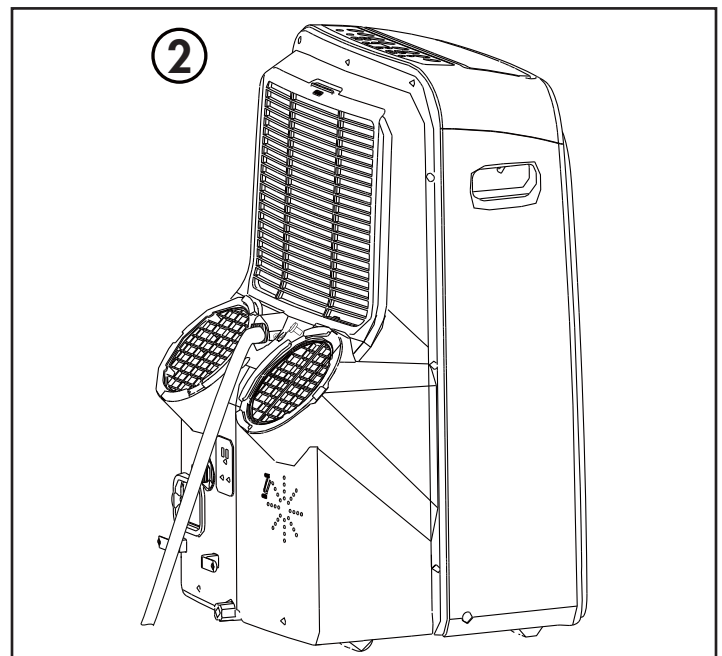
During the Dry mode, you may wish to set up the continuous drain option so that the appliance will automatically drain collected water.

Remove the exhaust hose during Dry mode, it is not necessary. Ensure that the appliance is turned off and unplugged from the power source before setting up the drain hose.

Remove the upper drain plug and attach the drain hose that was provided with the appliance. Ensure that there are no kinks or bends in the drain hose as this can stop water from draining.

Place the open end of the drain hose over the receptacle that the appliance will drain into; this could be a basement floor drain, a sink or similar.

Remember that there is no drain pump in this appliance, the continuous drain is activated by gravity only. Ensure that the drain hose goes straight down toward the floor from the drain connection. If the hose is not positioned directly downwards, water will not drain correctly.



CARE & MAINTENANCE

CLEANING

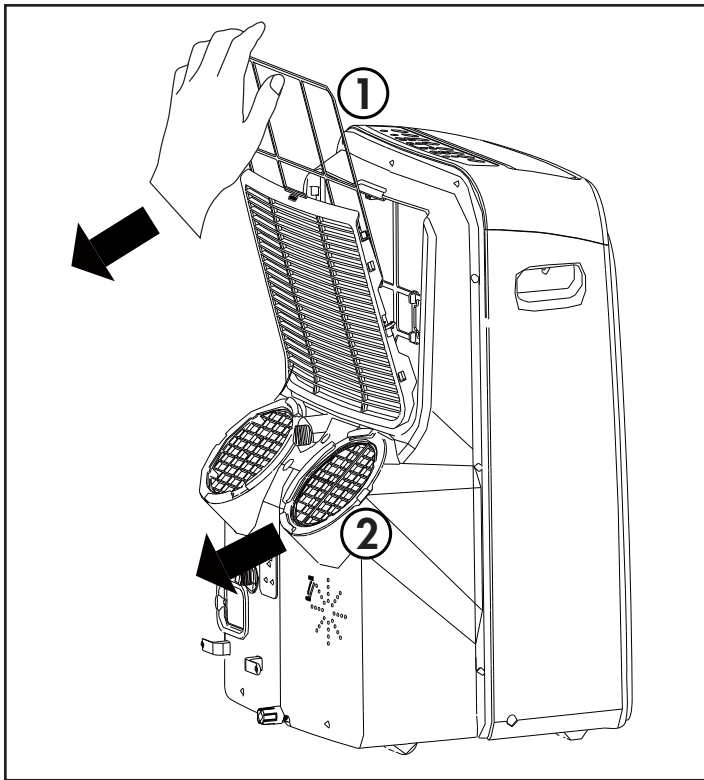
- Unplug the appliance before cleaning or servicing.
- Clean the cabinet with a lukewarm damp cloth and neutral detergent. Dry the cabinet with a lint-free dry cloth.
- Do not use gasoline, paint thinner or other chemicals to clean the appliance.
- Do not wash the appliance directly under a tap or using a hose. It may cause electrical damage.

AIR FILTERS

There are two air filters in this appliance. Air filters should be cleaned every two weeks to ensure efficient performance.

In households with animals, the air filters may need to be cleaned more often and the external grills may need to be wiped to prevent blocked air flow.

Do not operate the appliance without the filters installed as dirt and lint can clog the appliance and reduce performance.



LONG-TERM STORAGE

1. Drain all water from the appliance.
2. Run the appliance on Fan mode for half a day in a warm room to dry the inside of the appliance and prevent mold formation.
3. Turn off the appliance and unplug it, wrap the cord and bundle it with tape.
4. Remove the batteries from the remote control.
5. Clean the air filters and reinstall them.
6. Store the appliance in a cool, dark place. Prolonged exposure to direct sunlight or extreme heat can shorten the lifespan of the appliance.

DISPOSAL

This appliance should not be treated as regular household waste. Check for local regulatory compliance regarding the approved and safe disposal of this appliance.

ERROR CODES

- E1 - room temperature sensor error
- E2 - evaporator temperature sensor error
- E4 - display panel communication error
- E7 - zero crossing malfunction
- P1 - water tray is full - attach drain hose and drain excess water

TROUBLESHOOTING

Danby Consumer Care: 1-800-263-2629

Hours of operation:

Monday to Thursday 8:30 am - 6:00 pm Eastern Standard Time

Friday 8:30 am - 4:00 pm Eastern Standard Time

Information in this manual is subject to change without notice.

PROBLEM	POSSIBLE CAUSE
Appliance will not operate	<ul style="list-style-type: none">• Plug is not fully inserted into the wall outlet• Blown fuse or circuit breaker
Insufficient cooling	<ul style="list-style-type: none">• Air filters are dirty• Blocked air flow• Appliance size is too small for application
Noise	<ul style="list-style-type: none">• The ground is not level• Air filters are dirty• Gurgling sounds are normal; this is the refrigerant moving inside the appliance
Odors	<ul style="list-style-type: none">• Formation of mold or mildew on internal wet surfaces• Place an algaecide tablet in base pan; push the tablet through the grill on the back of the appliance

LIMITED "IN HOME" WARRANTY

This quality product is warranted to be free from manufacturer's defects in material and workmanship, provided that the unit is used under the normal operating conditions intended by the manufacturer.

This warranty is available only to the person to whom the unit was originally sold by Danby Products Limited (Canada) or Danby Products Inc. (U.S.A.) (hereafter "Danby") or by an authorized distributor of Danby, and is non-transferable.

TERMS OF WARRANTY

Plastic parts are warranted for thirty (30) days from the date of purchase, with no extensions provided.

First 12 months During the first **twelve (12) months**, any functional parts of this product found to be defective, will be repaired or replaced, at warrantor's option, at no charge to the original purchaser.

To obtain service Contact the dealer where the unit was purchased, or contact the nearest authorized Danby service depot, where service must be performed by a qualified service technician. If service is performed on the unit by anyone other than an authorized service depot, all obligations of Danby under this warranty shall be void.

Boundaries of in-home service Danby reserves the right to limit the boundaries of "In Home Service" to the proximity of an authorized service depot. Any appliance requiring service outside the limited boundaries of "In Home Service", will be the consumer's responsibility to transport at their own expense to the original point of purchase or a service depot for repair. If the appliance is installed in a location that is **100 kilometers (62 miles)** or more from the nearest service center, it must be delivered to the nearest authorized Danby Service Depot by the purchaser.

Transportation charges to and from the service location are not protected by this warranty and are the responsibility of the purchaser.

Nothing within this warranty shall imply that Danby will be responsible or liable for any spoilage or damage to food or other contents of this appliance, whether due to any defect of the appliance, or its use, whether proper or improper.

EXCLUSIONS

Save as herein provided, by Danby, there are no other warranties, conditions, representations or guarantees, express or implied, made or intended by Danby or its authorized distributors and all other warranties, conditions, representations or guarantees, including any warranties, conditions, representations or guarantees under any Sale of Goods Act or like legislation or statute is hereby expressly excluded. Save as herein provided, **Danby shall not be responsible for any damages to persons or property, including the unit itself, howsoever caused or any consequential damages arising from the malfunction of the unit and by the purchase of the unit, the purchaser does hereby agree to indemnify and hold harmless Danby from any claim for damages to persons or property caused by the unit.**

GENERAL PROVISIONS

No warranty or insurance herein contained or set out shall apply when damage or repair is caused by any of the following:

- 1) Power failure.
- 2) Damage in transit or when moving the appliance.
- 3) Improper power supply such as low voltage, defective house wiring or inadequate fuses.
- 4) Accident, alteration, abuse or misuse of the appliance such as inadequate air circulation in the room or abnormal operating conditions (ie. extremely high or low room temperature).
- 5) Use for commercial or industrial purposes (ie. If the appliance is not installed in a domestic residence).
- 6) Fire, water damage, theft, war, riot, hostility, acts of God such as hurricanes, floods etc.
- 7) Service calls resulting in customer education.
- 8) Improper Installation (ie. Building-in of a free standing appliance or using an appliance outdoors that is not approved for outdoor application, including but not limited to: garages, patios, porches or anywhere that is not properly insulated or climate controlled).

Proof of purchase date will be required for warranty claims; retain bills of sale. In the event that warranty service is required, present the proof of purchase to our authorized service depot.

**Warranty Service
In Home**

Danby Products Limited
PO Box 1778, Guelph, Ontario, Canada N1H 6Z9
Telephone: (519) 837-0920 FAX: (519) 837-0449

**1-800-263-2629
04/17**

Danby Products Inc.
PO Box 669, Findlay, Ohio, U.S.A. 45840
Telephone: (419) 425-8627 FAX: (419) 425-8629

Bienvenue

Bienvenue à la famille Danby. Nous sommes fiers de la qualité de nos produits et nous croyons en le service fiable. Nous vous suggérons de lire ce manuel d'utilisation avant de brancher votre nouvel appareil car il contient des informations importantes sur l'utilisation, la sécurité, le dépannage et la maintenance, afin d'assurer la fiabilité et la longévité de votre appareil.

Visitez www.Danby.com pour accéder aux outils d'autoservice, aux FAQ et bien plus encore. Pour obtenir de l'aide supplémentaire, composez **1-800-263-2629**.

Notez les informations ci-dessous; Vous aurez besoin de cette information pour obtenir un service sous garantie.

Vous devez fournir le reçu d'achat original pour valider votre garantie et recevoir le service.

Numéro de modèle: _____

Numéro de serie: _____

Date d'achat: _____

Besoin d'assistance?

Avant d'appeler pour service, voici quelques choses que vous pouvez faire pour nous aider à mieux vous servir.

Lire ce manuel du propriétaire:

Il contient des instructions pour vous aider à utiliser et à maintenir votre appareil correctement.

Si vous recevez un appareil endommagé:

Contactez immédiatement le revendeur ou l'entrepreneur qui vous a vendu l'appareil.

Gagnez du temps et de l'argent:

Avant d'appeler pour service, consultez la section de dépannage à la fin de ce manuel. Cette section vous aidera à résoudre les problèmes courants pouvant survenir.



1-800-26- Danby
(1-800-263-2629)



Informations importantes de sécurité

LIRE ET SUIVRE TOUTES LES INSTRUCTIONS DE SÉCURITÉ

EXIGENCES DE SÉCURITÉ

Cet appareil n'est pas destiné à être utilisé par des personnes (y compris des enfants) dont les capacités physiques, sensorielles ou mentales peuvent être différentes ou réduites, ou qui n'ont pas d'expérience ou de connaissances, à moins que ces personnes ne soient surveillées ou formées pour faire fonctionner l'appareil par une personne responsable de leur sécurité.

Les enfants devraient être surveillés pour s'assurer qu'ils ne jouent pas avec l'appareil.

Pour éviter tout risque de choc électrique, ne pas utiliser cet appareil dans une zone susceptible d'accumuler de l'eau stagnante. Si cette condition se développe, débranchez l'alimentation avant de pénétrer dans l'eau.

Ne pas stocker ou utiliser des matériaux combustibles tels que de l'essence ou d'autres vapeurs ou liquides inflammables à proximité de ce ou d'un autre appareil.

Ne pas insérer de doigts ou d'autres objets dans des grilles ou des ouvertures dans l'appareil.

Ne pas couvrir ou bloquer les ouvertures d'admission et d'échappement.

N'utilisez pas l'appareil sans le filtre installé.

N'utilisez pas l'appareil à proximité de sources de chaleur.

Cet appareil est destiné uniquement à des applications résidentielles et intérieures. N'utilisez pas cet appareil à l'extérieur. N'utilisez pas cet appareil pour des applications commerciales ou industrielles.

Si le climatiseur est transporté sur son dos ou sur son côté, il doit être maintenu debout pendant 6 heures avant de brancher pour éviter d'endommager les composants internes.

Gardez l'appareil à l'écart des murs, des meubles et des rideaux avec un jeu d'au moins 30 cm (12 pouces) sur tous les côtés.

INSTRUCTIONS DE MISE À LA TERRE

Cet appareil doit être mis à la terre. La mise à la terre réduit le risque de choc électrique en fournissant un câble d'échappement pour le courant électrique.

Cet appareil possède un cordon doté d'un fil de mise à la terre avec une fiche à 3 broches. Le cordon d'alimentation doit être branché sur une prise correctement mise à la terre. Si la sortie est une prise murale à 2 broches, elle doit être remplacée par une prise murale à 3 broches correctement mise à la terre. La plaque signalétique en série indique la tension et la fréquence auxquelles l'appareil est conçu.

AVERTISSEMENT - L'utilisation incorrecte de la fiche de mise à la terre peut entraîner un risque d'électrocution. Consultez un électricien qualifié ou un agent de service si les instructions de mise à la terre ne sont pas complètement comprises ou s'il existe un doute quant à savoir si l'appareil est correctement mis à la terre.

Ne branchez pas l'appareil à des rallonges, des adaptateurs ou à un autre appareil dans la même prise murale.

Ne pas épisser le cordon d'alimentation. Ne coupez ou retirez en aucun cas la troisième broche du cordon d'alimentation.

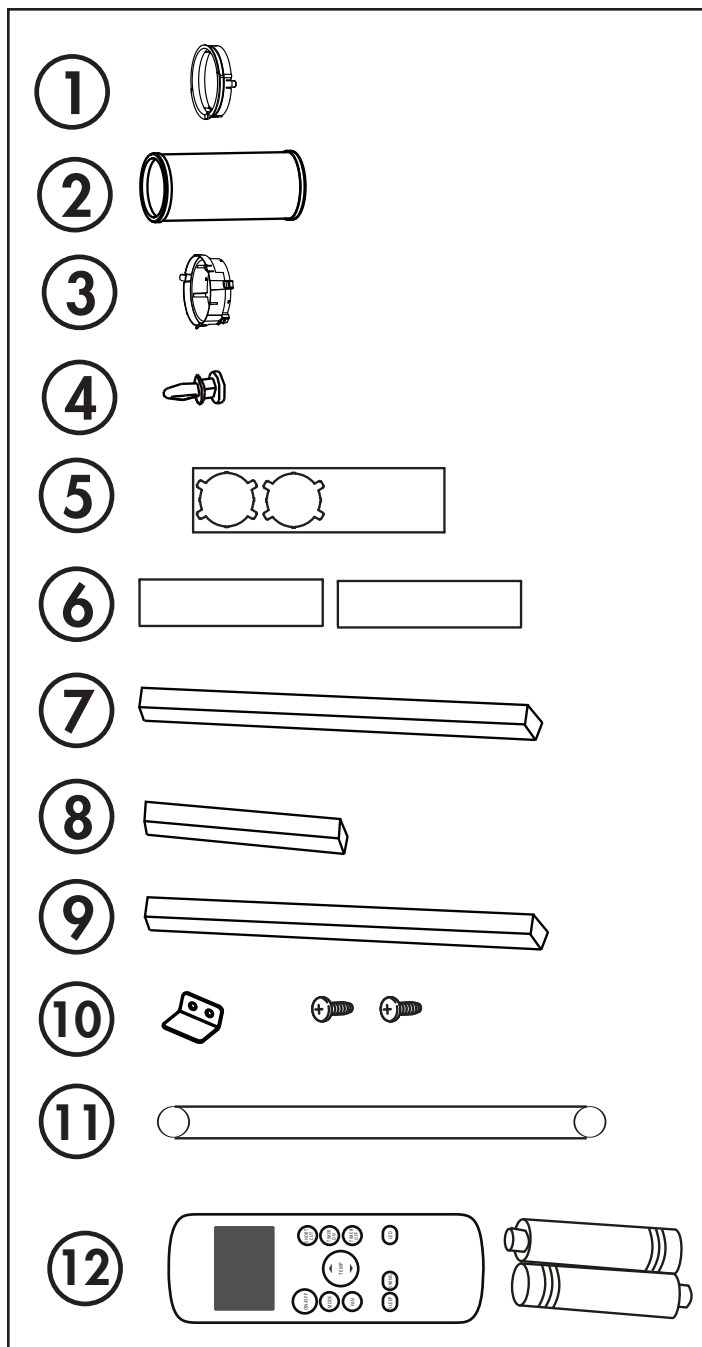
Si le cordon d'alimentation est endommagé, il doit être remplacé par le fabricant, son agent de maintenance ou une personne qualifiée similaire afin d'éviter tout risque.

GARDEZ CES INSTRUCTIONS!

INSTRUCTIONS D'INSTALLATION

ACCESSOIRES

1. Adaptateur de sortie d'air (x2)
2. Tuyau d'échappement (x2)
3. Adaptateur de glissière de fenêtre (x2)
4. 2 boulons
5. Curseur de fenêtre A
6. Curseur de fenêtre B et C
7. Joint en mousse A (adhésif)
8. Joint en mousse B (adhésif)
9. Joint en mousse C (non adhésif)
10. Support de sécurité et 2 vis
11. Tuyau de drainage
12. Télécommande et batteries

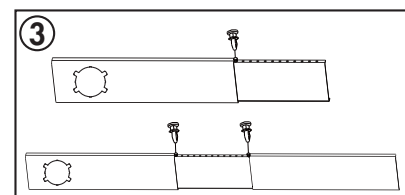
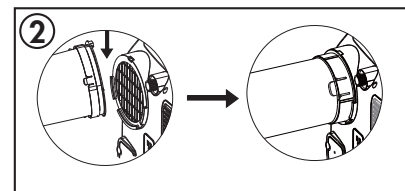
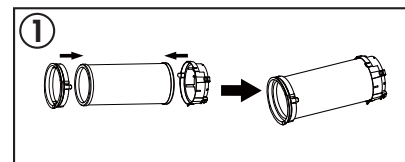


OUTILS REQUIS

1. Tournevis Phillips de taille moyenne
2. Ruban à mesurer ou règle
3. Couteau ou ciseaux
4. Scie (dans le cas où les curseurs de fenêtre doivent être coupés en taille)

ASSEMBLAGE DU TROUSSE DE FENÊTRE

1. Fixez l'adaptateur de sortie d'air et l'adaptateur de glissière de fenêtre sur l'extrémité du tuyau d'échappement. Faites ceci pour les deux tuyaux d'échappement.
2. Insérez l'adaptateur de sortie d'air dans la rainure inférieure de la sortie d'air à l'arrière de l'appareil. Assurez-vous que le crochet de l'adaptateur est aligné avec le siège du trou de la sortie d'air, puis faites-le glisser vers le bas. Faites ceci pour les deux tuyaux d'échappement.
3. Mesurez l'ouverture de la fenêtre où le kit de fenêtre sera installé. Assemblez autant de curseurs que nécessaire pour s'adapter à la fenêtre.
4. Si la longueur de la fenêtre nécessite les trois curseurs, utilisez deux boulons pour fixer les curseurs à la bonne longueur.
5. Si l'ouverture de la fenêtre est inférieure à la longueur minimale d'un seul curseur, utilisez le curseur qui contient le trou et coupez-le à la longueur correcte. Assurez-vous de ne pas couper l'extrémité qui a le trou car il est nécessaire d'attacher l'adaptateur de tuyau d'échappement.



INSTRUCTIONS D'INSTALLATION

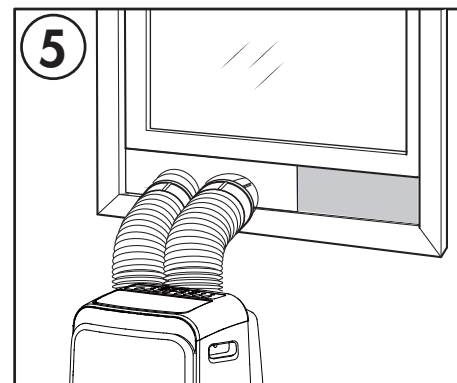
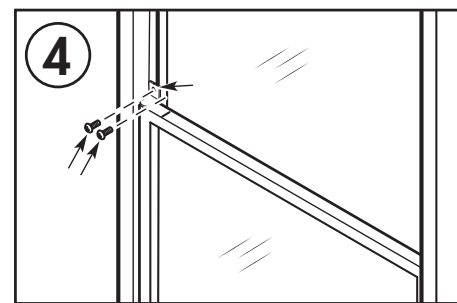
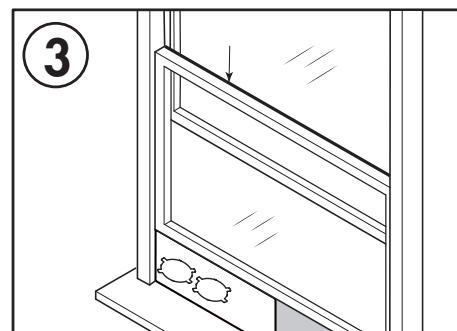
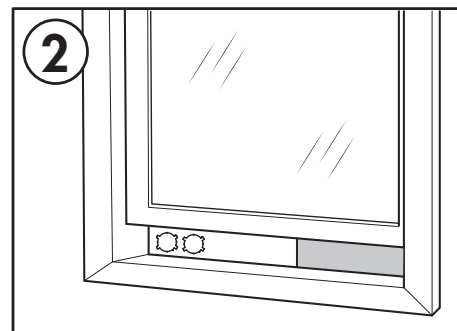
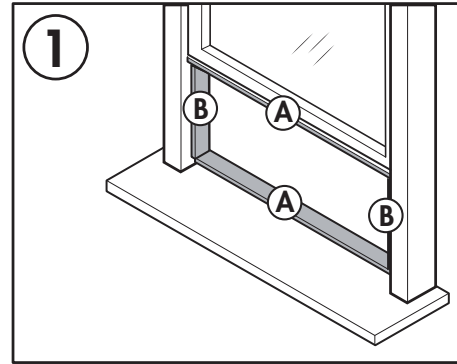
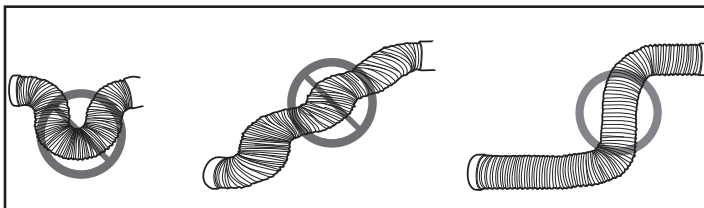
INSTALLATION DU TROUSSE DE FENÊTRE

Il existe deux méthodes d'installation possibles en fonction du type de fenêtre disponible.

Installation dans une fenêtre à guillotine

1. Couper les joints de mousse adhésive A et B à la longueur correcte pour la fenêtre. Fixez-les sur le cadre de la fenêtre et l'image comme indiqué.
2. Insérez le kit de curseur de fenêtre assemblé dans l'ouverture de la fenêtre.
3. Couper le joint d'étanchéité du pêtre non adhésif C pour correspondre à la largeur de la fenêtre. Insérez le joint en mousse entre le verre et le cadre de la fenêtre pour éviter que l'air et les insectes ne pénètrent dans la pièce.
4. Installez le support de sécurité dans le cadre de la fenêtre avec les deux vis fournies.
5. Fixez les adaptateurs de curseur de fenêtre aux trous du kit de glissière de fenêtre.

Remarque: Ne pas trop étendre ni plier le tuyau, car cela entravera le flux d'air.

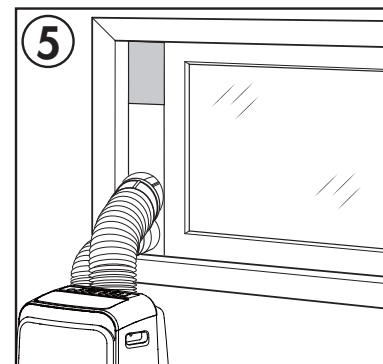
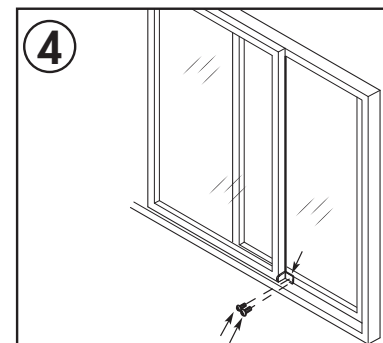
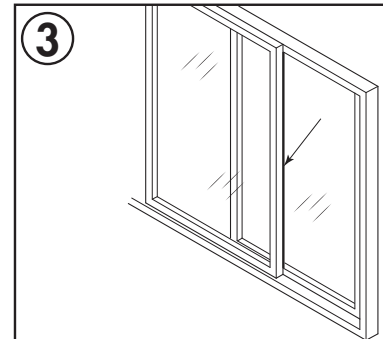
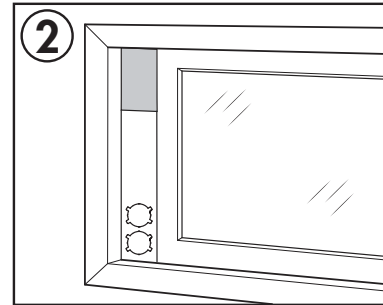
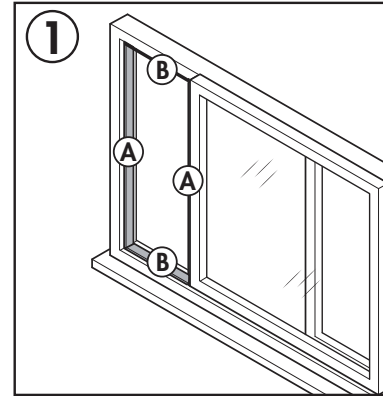
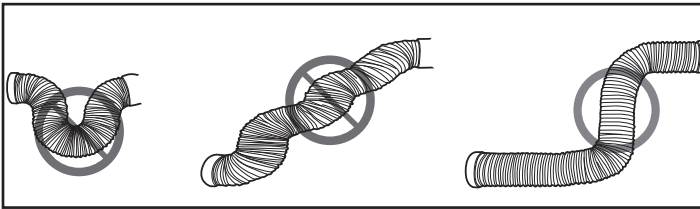


INSTRUCTIONS D'INSTALLATION

Installation dans une fenêtre coulissante

1. Couper les joints de mousse adhésive A et B à la longueur correcte pour la fenêtre. Fixez-les sur le cadre de la fenêtre et l'image comme indiqué.
2. Insérez le kit de curseur de fenêtre assemblé dans l'ouverture de la fenêtre.
3. Couper le joint d'étanchéité du pétrole non adhésif C pour correspondre à la largeur de la fenêtre. Insérez le joint en mousse entre le verre et le cadre de la fenêtre pour éviter que l'air et les insectes ne pénètrent dans la pièce.
4. Installez le support de sécurité dans le cadre de la fenêtre avec les deux vis fournies.
5. Fixez les adaptateurs de curseur de fenêtre aux trous du kit de glissière de fenêtre.

Remarque: Ne pas trop étendre ni plier le tuyau, car cela entravera le flux d'air.

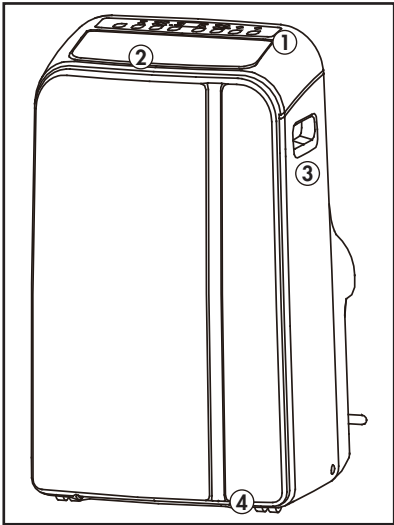


INSTRUCTIONS D'UTILISATION

CARACTÉRISTIQUES

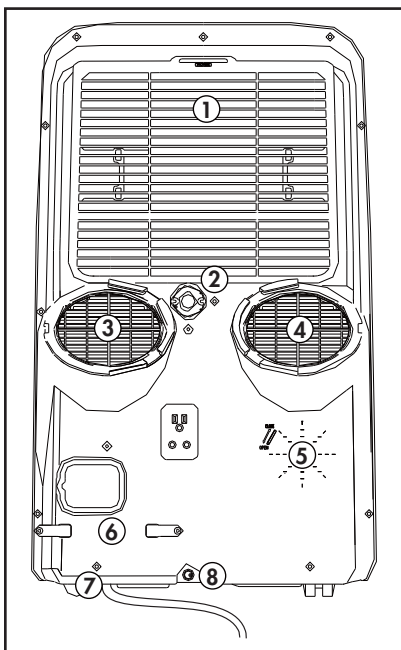
Avant

1. Panneau de contrôle
2. Persienne horizontale
3. Poignée (des deux côtés)
4. Rouleaux



Arrière

1. Filtre à air supérieur et prise d'air
2. Sortie de vidange continue
3. Évacuation d'air inférieure
4. Filtre à air inférieur et prise d'air
5. Aérateur d'air
6. Bande de stockage du cordon d'alimentation
7. Cordon d'alimentation
8. Sortie de vidange du bac à débordement



EMPLACEMENT

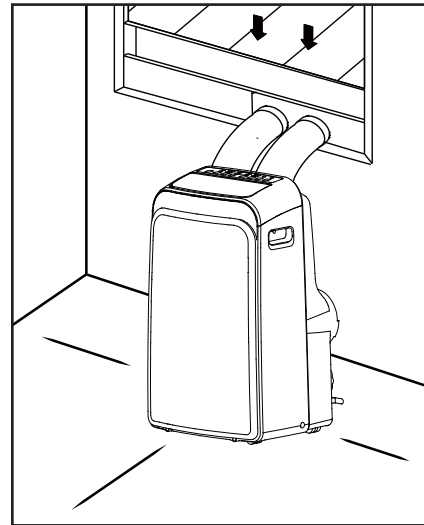
Placez le climatiseur sur un plancher lisse et plat qui est assez solide pour le supporter et tous les accessoires inclus.

Assurez-vous que l'appareil est à niveau pour minimiser les bruits et les vibrations.

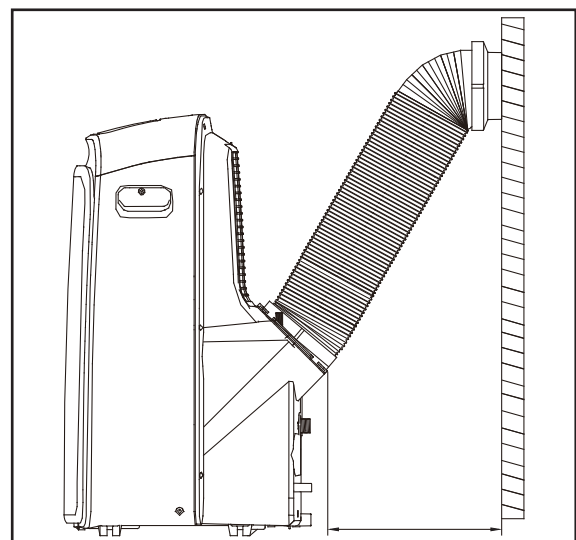
L'appareil doit être installé près d'une prise de mise à la terre et la sortie de vidange à l'arrière de l'appareil doit être accessible.

Ne pas couvrir les entrées d'air ou les prises de courant ou le récepteur de la télécommande sur le panneau de commande.

L'appareil nécessite un dégagement de 30 cm (12 pouces) sur le devant et sur les côtés.



L'appareil nécessite au moins 50 cm (20 pouces) de dégagement sur le dos.



INSTRUCTIONS D'UTILISATION

PANNEAU DE CONTRÔLE

- Bouton de persienne:** Appuyez sur pour démarrer la fonction d'oscillation automatique. Lorsque l'oscillation automatique est activé, appuyer à nouveau pour arrêter la persienne à l'angle désiré.
- Bouton de minuterie:** Appuyez sur pour démarrer les fonctions de mise en marche automatique ou d'arrêt automatique. La lumière indiquera si une minuterie est réglée.
- Bouton de mode:** Appuyez sur pour sélectionner le mode désiré. Les modes vont en séquence à chaque pression sur le bouton; automatique, refroidissement, sec, ventilateur. La lumière indiquera le mode actuel.
- Boutons haut et bas:**
 - Utilisé pour régler la température et la minuterie.
 - Appuyez et maintenez les boutons haut et bas pendant 3 secondes pour changer l'affichage de la température de °C à °F.
- Affichage LED:**
 - Affiche la température réglée en °C ou °F ou les réglages du retardateur.
 - En mode sec, indique l'humidité relative.
 - Lorsque le mode ventilateur affiche la température ambiante.
- Bouton du ventilateur:** Appuyez pour sélectionner la vitesse du ventilateur; normal ou élevé. La lumière indiquera la vitesse actuelle.
- Bouton de dormir:** Appuyez sur pour démarrer la fonction de dormir.
- Bouton d'alimentation:** Appuyez pour allumer ou éteindre l'appareil.

Modes de fonctionnement

• Mode Refroidissement (cool)

Choisissez le mode de refroidissement pour régler la fonction de refroidissement. Utilisez les flèches haut et bas pour choisir la température souhaitée. Lorsque le mode de refroidissement est sélectionné, la vitesse du ventilateur peut être réglée en appuyant sur le bouton du ventilateur.

La température peut être réglée dans une plage de 17 à 30°C (62 à 86°F).

Le tuyau d'échappement doit être installé pendant le mode de refroidissement pour assurer les meilleurs résultats.

• Mode Sec (dry)

Choisissez le mode sec pour éliminer l'excès d'humidité de l'air pendant les périodes d'humidité élevée. Toute l'eau tirée de l'air se condensera à l'intérieur de l'appareil et évacue le dos.

L'humidité peut être ajustée par incréments de 5% entre 35% et 85%.

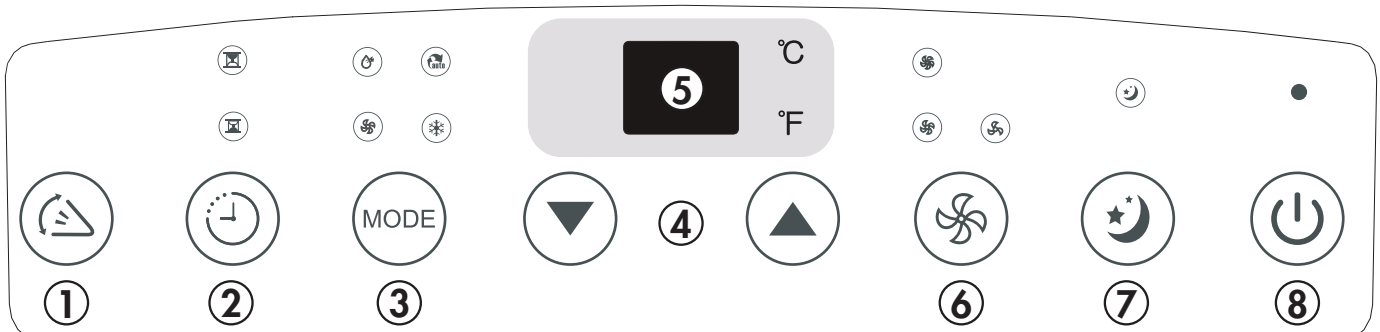
La vitesse du ventilateur sera automatiquement réglée et ne pourra pas être modifiée en mode sec.

• Mode Ventilateur (fan)

Choisissez le mode ventilateur pour faire fonctionner le ventilateur interne sans engager la fonction de refroidissement. Appuyez plusieurs fois sur le bouton du ventilateur pour choisir la vitesse du ventilateur, Faible, Moyen, Haut ou Auto.

• Mode Automatique (auto)

Le mode automatique est un programme d'usine prédéfini qui définit automatiquement le mode (Refroidissement ou Sec) et la vitesse du ventilateur en fonction de la température réglée, de la température ambiante et de l'humidité ambiante.



INSTRUCTIONS D'UTILISATION

Fonction de minuterie

Pour régler la minuterie d'arrêt automatique:



- Assurez-vous que l'appareil est allumé
- Appuyez sur le bouton de la minuterie et le voyant de la minuterie s'allume
- Appuyez sur les boutons haut ou bas pour sélectionner le nombre d'heures désiré avant que l'appareil ne soit éteint.

Pour régler la minuterie d'activation automatique:



- Assurez-vous que l'appareil est éteint
- Appuyez sur le bouton de la minuterie et le voyant de la minuterie allumé s'allume
- Appuyez sur les boutons haut ou bas pour sélectionner la quantité d'heures souhaitée avant que l'appareil ne s'allume

Remarques:

- Les boutons haut et bas augmentent ou diminuent le temps en incréments de 0,5 heure jusqu'à 10 heures, puis en incréments de 1 heure jusqu'à 24 heures
- L'affichage revient au réglage de température précédent.
- L'allumage ou l'extinction de l'appareil à tout moment ou l'ajustement du réglage de la minuterie à 0,0 heures annuleront les réglages de la minuterie automatique

Utilisation de la minuterie en marche et arrêt simultanément

S'il est nécessaire que l'appareil s'allume, exécutez pendant une période de temps définie, puis éteignez, les minuteries d'activation et de désactivation peuvent être utilisées en même temps en réglant d'abord l'une, puis l'autre. Les deux voyants s'allument et l'affichage décompte jusqu'à l'appareil soit en éteignant ou en allumant, quelle que soit la fonction réglée en premier.

Remarque: La minuterie ne met pas l'appareil sous tension et hors tension indéfiniment. Les temporisations on et off fonctionneront une fois, puis l'appareil revient à un fonctionnement régulier.

Fonction de dormir

La fonction de dormir peut être utilisée pour conserver l'énergie pendant les heures de dormir.

Lorsqu'elle est sélectionnée, la température réglée augmentera de 2 degrés sur une période de 2 heures. L'appareil maintient la nouvelle température réglée pendant 7 heures avant de revenir au fonctionnement normal.

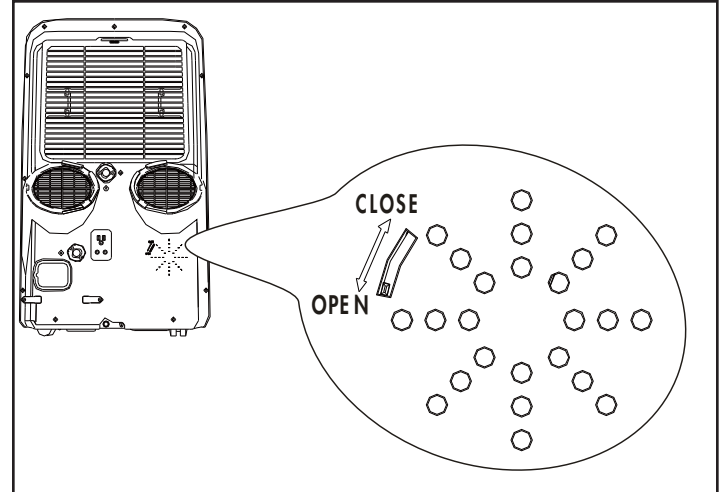
La fonction de dormir peut être annulée à tout moment en appuyant sur le bouton de dormir.

Contrôle d'événement

Il y a un événement à l'arrière de l'appareil qui peut être réglé sur "ouvert" ou "fermé".

Réglez l'événement à la position «ouverte» et l'appareil aspire l'air vicié de l'intérieur de la pièce et l'évacue vers l'extérieur par le tuyau d'évacuation.

Réglez l'événement à la position «fermé» et l'appareil ne va pas aspirer l'air de la pièce.



INSTRUCTIONS D'UTILISATION

TÉLÉCOMMANDE

La télécommande fonctionne à une distance de 8 m (26 pieds) de l'appareil. La réception est confirmée par un bip.

- Bouton d'alimentation:** Appuyez pour allumer ou éteindre l'appareil.
- Bouton de mode:** Appuyez sur pour sélectionner le mode désiré.
- Bouton du ventilateur:** Appuyez pour sélectionner la vitesse du ventilateur.
- Bouton de dormir:** Appuyez sur pour lancer la fonction de dormir.
- Bouton de persienne:** Appuyez sur pour démarrer la fonction d'oscillation automatique. Lorsque l'oscillation automatique est activé, appuyer à nouveau pour arrêter la persienne à l'angle désiré.
- Bouton LED:** Appuyez sur pour allumer ou éteindre l'affichage LED.
- Bouton d'arrêt automatique:** Appuyez sur pour régler la minuterie d'arrêt automatique.
- Bouton d'activation automatique:** Appuyez sur pour régler la minuterie de mise en marche automatique.
- Bouton de raccourci:** Appuyez sur pour définir et activer la fonction de raccourci.
- Boutons haut et bas:**
 - Utilisé pour régler la température et la minuterie.
 - Appuyez et maintenez les boutons haut et bas pendant 3 secondes pour changer l'affichage de la température de °C à °F.
- Affichage LED:**
 - Affiche la température réglée en °C ou °F ou les réglages du retardateur.
 - En mode sec, indique l'humidité relative.
 - Lorsque le mode ventilateur affiche la température ambiante.



Fonction de raccourci (uniquement disponible sur télécommande):

- Utilisé pour enregistrer un paramètre préféré.
- Réglez l'appareil sur la température et la vitesse du ventilateur que vous souhaitez configurer comme favori.
- Appuyez et maintenez le bouton raccourci pendant 2 secondes.
- Appuyez sur le bouton raccourci à tout moment pour revenir au réglage préféré.
- Si aucun favori n'est réglé, en appuyant sur le bouton raccourci, l'appareil fonctionnera en mode Auto à 29°C (79°F), la vitesse du ventilateur étant réglée sur Auto.

INSTRUCTIONS D'UTILISATION

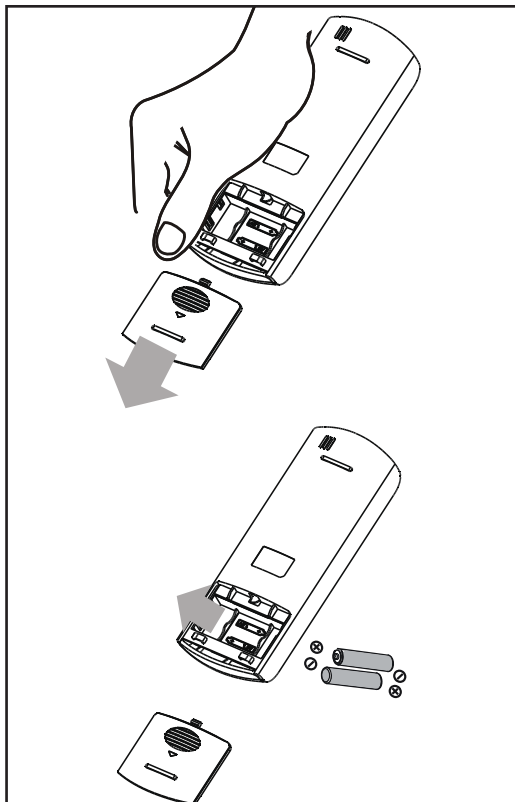
REPLACEMENT DES PILES

Ce climatiseur est livré avec deux piles AAA. Placez les piles dans la télécommande avant utilisation.

1. Faites glisser le capot arrière de la télécommande vers le bas pour exposer le compartiment de les piles.
2. Insérez les piles, assurez-vous de faire correspondre les symboles (+) et (-) aux extrémités des piles avec les symboles situés à l'intérieur du compartiment à piles.
3. Faites glisser le couvercle en place.

Notes:

- Le climatiseur ne répond pas si des rideaux, des portes ou d'autres matériaux bloquent le signal de la télécommande sur l'appareil.
- Empêchez tout contact liquide avec la télécommande. N'exposez pas la télécommande à la lumière directe du soleil ou à la chaleur.
- Si le récepteur du signal infrarouge sur l'unité intérieure est exposé à la lumière directe du soleil, le climatiseur peut ne pas fonctionner correctement. Utilisez des rideaux pour éviter que la lumière du soleil ne tombe sur le récepteur.
- Ne mélangez pas les piles neuves et neuves ou les piles de différents types.
- Ne laissez pas les piles dans la télécommande si elles ne vont pas être utilisées pendant plus de 2 mois.



Cet équipement a été testé et s'est avéré conforme aux limites d'un appareil numérique de classe B, conformément à la partie 15 des règles de la FCC. Ces limites sont conçues pour fournir une protection raisonnable contre les interférences nuisibles dans une installation résidentielle. Cet équipement génère, utilise et peut émettre de l'énergie radiofréquence et, s'il n'est pas installé et utilisé conformément aux instructions, peut causer des interférences nuisibles aux communications radio. Cependant, il n'y a aucune garantie que des interférences ne se produiront pas dans une installation particulière.

Si cet équipement provoque des interférences nuisibles à la réception de la radio ou de la télévision, ce qui peut être déterminé en allumant et éteignant l'équipement, l'utilisateur est encouragé à essayer de corriger les interférences en prenant une ou plusieurs des mesures suivantes:

1. Réorienter ou déplacer l'antenne réceptrice.
2. Accroître la distance entre l'appareil et le récepteur.
3. Brancher l'appareil sur une prise de courant appartenant à un autre circuit que celui du récepteur.
4. Chercher de l'aide auprès du détaillant ou d'un technicien en radio ou en télévision expérimenté.

Des changements ou modifications non approuvés par l'autorité ayant confirmé la conformité de l'appareil aux règlements de la FCC pourraient faire retirer l'autorisation d'utilisation de l'appareil. Cet appareil est conforme à la Section 15 des réglementations de la FCC.

Son utilisation est soumise aux deux conditions suivantes:

1. Cet appareil ne doit pas provoquer d'interférences nuisibles.
2. Cet appareil doit accepter toute interférence reçue, y compris les interférences pouvant entraîner un fonctionnement indésirable.

Cet appareil est conforme à la norm CAN ICES-3 (B) / NMB-3 (B) du Canada.

IMPORTANT

Ne pas jeter les piles en tant que déchets municipaux non triés. Reportez-vous aux lois locales pour l'élimination correcte des piles.

INSTRUCTIONS D'UTILISATION

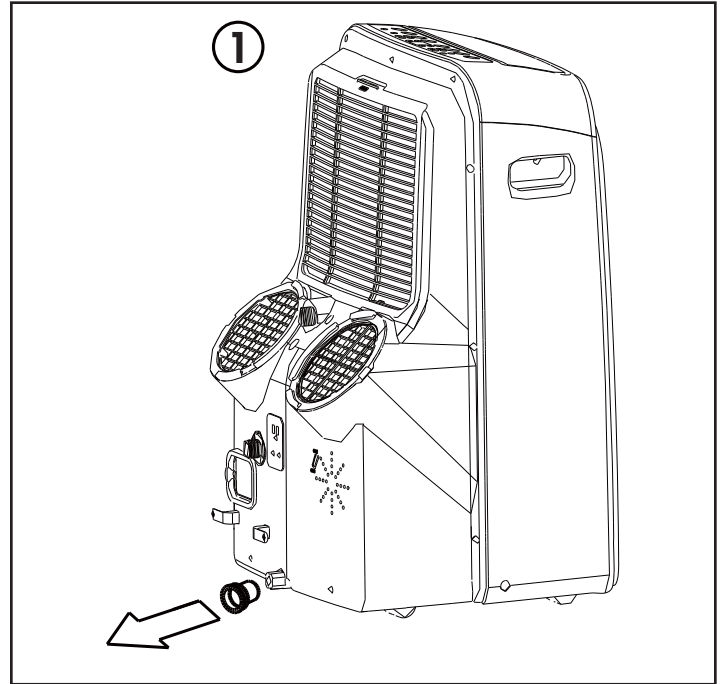
VIDANGE D'EAU

Lorsque le bac de vidange interne devient plein, l'appareil sonne 8 fois et l'affichage numérique affichera le code d'erreur P1. L'action de la climatisation ou de la déshumidification s'arrête, mais le ventilateur peut continuer à fonctionner.

Il existe deux méthodes pour évacuer l'eau de l'appareil.

1. Bouchon de vidange

1. Mettez l'appareil hors tension et débranchez-le de la source d'alimentation.
2. Déplacez soigneusement l'appareil à un endroit où l'eau peut être vidangée.
3. Retirez le bouchon de vidange et laissez l'eau s'écouler complètement.
4. Remplacez le bouchon de vidange inférieur en appuyant fermement pour assurer un ajustement serré et aucune fuite.
5. Le symbole d'erreur P1 disparaîtra et l'appareil reprendra la fonction normale une fois que l'alimentation a été restaurée.



2. Vidange continu

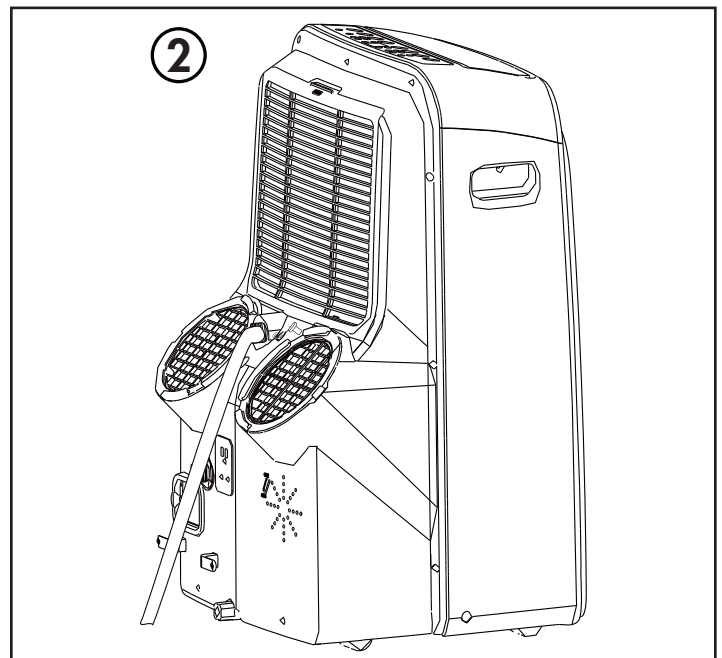
En mode sec, vous pouvez configurer l'option de vidange continue afin que l'appareil vidange automatiquement l'eau collectée.

Retirez le tuyau d'échappement en mode sec, il n'est pas nécessaire. Assurez-vous que l'appareil est éteint et débranché de la source d'alimentation avant d'installer le tuyau de vidange.

Retirez le bouchon de vidange supérieur et fixez le tuyau de vidange fourni avec l'appareil. Assurez-vous qu'il n'y a pas de pli ou de pli dans le tuyau de vidange car cela peut empêcher l'eau de s'écouler.

Placez l'extrémité ouverte du tuyau de vidange sur le récipient dans lequel l'appareil s'écoule; Cela pourrait être un drain de sous-sol, un évier ou similaire.

N'oubliez pas qu'il n'y a pas de pompe de vidange dans cet appareil, le drain continu est activé uniquement par gravité. Assurez-vous que le tuyau de vidange descend directement vers le sol à partir du raccord de vidange. Si le tuyau n'est pas positionné directement vers le bas, l'eau ne s'écoule pas correctement.



NETTOYAGE

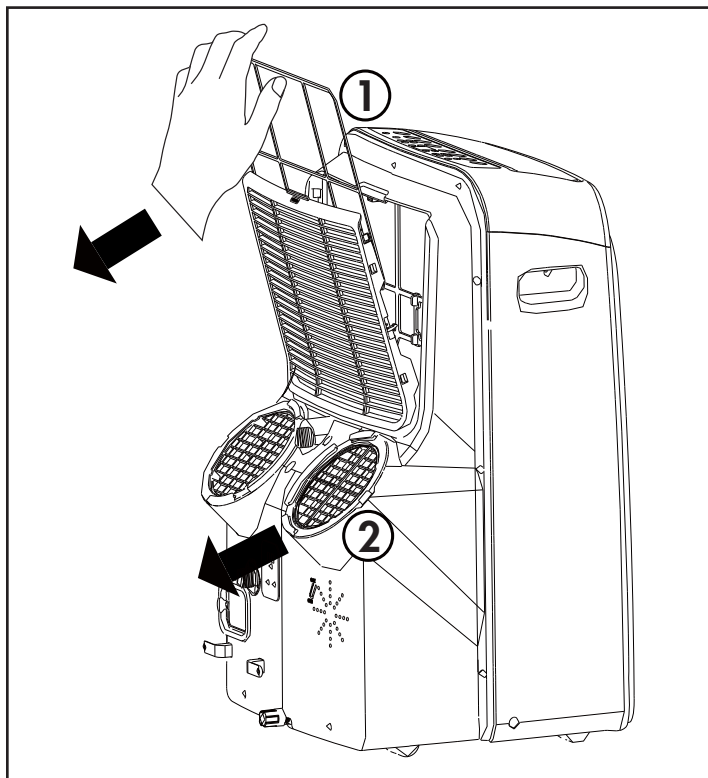
- Débranchez l'appareil avant de le nettoyer ou de l'entretenir.
- Nettoyez l'armoire avec un chiffon humide tiède et un détergent neutre. Séchez l'armoire avec un chiffon sec sans peluches.
- N'utilisez pas d'essence, de diluant ou d'autres produits chimiques pour nettoyer l'appareil.
- Ne lavez pas l'appareil directement sous un robinet ou à l'aide d'un tuyau. Cela peut causer des dommages électriques.

FILTRES D'AIR

Il y a trois filtres à air dans cet appareil. Les filtres à air doivent être nettoyés toutes les deux semaines pour assurer une performance efficace.

Dans les ménages avec des animaux, les filtres à air doivent avoir besoin d'être nettoyés plus souvent et les grilles extérieures devront peut-être être essuyées pour empêcher le flux d'air bloqué.

Ne faites pas fonctionner l'appareil sans que les filtres soient installés car la poussière et la saleté peuvent obstruer l'appareil et en réduire les performances.



ENTREPOSAGE À LONG TERME

1. Égoutter toute l'eau de l'appareil.
2. Faites fonctionner l'appareil sur le mode Ventilateur pendant une demi-journée dans une pièce chaude pour sécher l'intérieur de l'appareil et empêcher la formation de moisissure.
3. Éteignez l'appareil et débranchez-le, enroulez le cordon et collez-le avec du ruban adhésif.
4. Retirez les piles de la télécommande.
5. Nettoyez les filtres à air et réinstallez-les.
6. Conserver l'appareil est un endroit frais et sombre. Une exposition prolongée à la lumière directe du soleil ou à une chaleur extrême peut raccourcir la durée de vie de l'appareil.

DISPOSITION

Cet appareil ne doit pas être considéré comme un ordures ménagères. Vérifiez la conformité réglementaire locale concernant l'élimination approuvée et sûre de cet appareil.

CODES D'ERREUR

- E1 - erreur du capteur de température ambiante
- E2 - erreur du capteur de température de l'évaporateur
- E4 - erreur de communication du panneau d'affichage
- E7 - dysfonctionnement de passage à zéro
- P1 - le plateau d'eau est plein - attachez le tuyau de vidange et vidangez l'excès d'eau

DÉPANNAGE

Danby soins du consommateur: 1-800-263-2629

Heures d'ouverture:

Lundi à Jeudi 8 h 30 à 18 h, heure normale de l'Est

Vendredi de 8 h 30 à 16 h, heure normale de l'Est

Les informations contenues dans ce manuel sont sujettes à modification sans préavis.

PROBLEME	CAUSE POSSIBLE
L'appareil ne fonctionnera pas	<ul style="list-style-type: none">• La fiche n'est pas complètement insérée dans la prise murale• Fusible soufflé ou disjoncteur
Refroidissement insuffisant	<ul style="list-style-type: none">• Les filtres à air sont sales• Flux d'air bloqué• La taille de l'appareil est trop petite pour l'application
Bruit	<ul style="list-style-type: none">• Le terrain n'est pas au niveau• Les filtres à air sont sales• Les sons de gargouille sont normaux; c'est le fluide frigorigène qui se déplace à l'intérieur de l'appareil
Odeurs	<ul style="list-style-type: none">• Formation de moisissure sur des surfaces intérieures humides• Placer un comprimé d'algacide dans un moule de base; enfoncer la tablette à travers la grille à l'arrière de l'appareil

GARANTIE LIMITÉE "À DOMICILE"

Cet appareil de qualité est garanti exempt de tout vice de matière première et de fabrication, s'il est utilisé dans les conditions normales recommandées par le fabricant.

Cette garantie n'est offerte qu'à l'acheteur initial de l'appareil vendu par Danby Products Limited (Canada) ou Danby Products Inc. (E.-U.A.) (ci-après « Danby ») ou par l'un des ses distributeurs agréés et elle ne peut être transférée.

CONDITIONS

Les pièces en plastique sont garanties pendant trente (30) jours seulement à partir de la date de l'achat, sans aucune prolongation prévue.

Premiers 12 mois Pendant les premiers **douze (12) mois**, toutes les pièces fonctionnelles de ce produit qui s'avèrent défectueuses seront réparées ou remplacées, selon le choix du garant, sans frais à l'acheteur initial.

Pour bénéficiaire du service S'adresser au détaillant qui a vendu l'appareil, ou à la station technique agréée de service la plus proche, où les réparations doivent être effectuées par un technicien qualifié. Si les réparations sont effectuées par quiconque autre que la station de service agréée ou à des fins commerciales, toutes les obligations de Danby en vertu de cette garantie seront annulées.

Limites de l'entretien à domicile Danby se réserve le droit de limiter les limites de "Service au domicile" à proximité d'un dépôt de service agréé. Tout appareil nécessitant un service en dehors des limites de "Service à domicile" sera la responsabilité du consommateur de transporter l'appareil à leur propres frais le point d'achat original ou un dépôt de service pour réparation. Si l'appareil est installé à plus de **100 kilomètres (62 milles)** du centre de service le plus proche, il doit être livré à l'atelier de réparation autorisé par Danby le plus proche, car l'entretien doit uniquement être réalisé par un technicien qualifié et certifié pour effectuer un entretien couvert par la garantie de Danby.

Les frais de transport entre votre domicile et le lieu de l'entretien ne sont pas couverts par la présente garantie et doivent être acquittés par l'acheteur.

Aucune partie de la garantie ne prévoit implicitement que le fabricant sera tenu responsable des dommages subis par les aliments ou d'autres types de contenu, qu'ils soient causés par la défektivité de l'appareil ou par son usage adéquat ou inadéquat.

EXCLUSIONS

En vertu de la présente, il n'existe aucune autre garantie, condition ou représentation, qu'elle soit exprimée ou tacite, de façon manifeste ou intentionnelle, par Danby ou ses distributeurs agréés. De même, sont exclues toutes les autres garanties, conditions ou représentations, y compris les garanties, conditions ou représentations en vertu de toute loi régissant la vente de produits ou de toute autre législation ou règlement semblables. En vertu de la présente, Danby ne peut être tenue responsable en cas de blessures corporelles ou des dégâts matériels, y compris à l'appareil, quelle qu'en soit la cause. Danby ne peut pas être tenue responsable des dommages indirects dus au fonctionnement défectueux de l'appareil. En achetant l'appareil, l'acheteur accepte de mettre à couvert et de dégager Danby de toute responsabilité en cas de réclamation pour toute blessure corporelle ou tout dégât matériel causé par cet appareil.

CONDITIONS GÉNÉRALES

La garantie ou assurance ci-dessus ne s'applique pas si les dégâts ou réparations sont dus aux cas suivants:

- 1) Panne de courant.
- 2) Dommages subis pendant le transport ou le déplacement de l'appareil.
- 3) Alimentation électrique incorrecte (tension faible, câblage défectueux, fusibles incorrects).
- 4) Accident, modification, emploi abusif ou incorrect de l'appareil tel qu'une circulation d'air inadéquate dans la pièce ou des conditions de fonctionnement anormales (température extrêmement élevée ou basse).
- 5) Utilisation dans un but commercial ou industriel (à savoir, si l'appareil n'est pas installé dans un domicile résidentiel).
- 6) Incendie, dommages causés par l'eau, vol, guerre, émeute, hostilités, cas de force majeure (ouragan, inondation, etc.).
- 7) Visites d'un technicien pour expliquer le fonctionnement de l'appareil au propriétaire.
- 8) Installation inappropriée (par exemple, encastrement d'un appareil autoportant, ou utilisation extérieure d'un appareil non conçu à cet effet, y compris, mais sans s'y limiter: les garages, les patios, les porches ou ailleurs qui ne sont pas correctement isolés ou climatisés).

La preuve de la date d'achat sera requise pour les réclamations de garantie; Conserver les factures de vente. Dans le cas où un service de garantie est requis, présentez la preuve d'achat à notre dépôt de service agréé.

Service sous garantie

Service au domicile

Danby Products Limited
PO Box 1778, Guelph, Ontario, Canada N1H 6Z9
Téléphone : (519) 837-0920 Télécopieur: (519) 837-0449

1-800-263-2629
04/17

Danby Products Inc.
PO Box 669, Findlay, Ohio, U.S.A. 45840
Téléphone: (419) 425-8627 Télécopieur: (419) 425-8629

Bienvenido

Bienvenido a la familia Danby. Estamos orgullosos de nuestros productos de calidad y creemos en un servicio confiable. Sugerimos que lea este manual del propietario antes de conectar el nuevo aparato ya que contiene información importante sobre la operación, información de seguridad, solución de problemas y consejos de mantenimiento para garantizar la fiabilidad y longevidad de su electrodoméstico.

Visite **www.Danby.com** para acceder a herramientas de autoservicio, preguntas frecuentes y mucho más. Para asistencia adicional, llame al **1-800-263-2629**.

Tenga en cuenta la información siguiente; Necesitará esta información para obtener un servicio bajo garantía.

Debe proporcionar el recibo de compra original para validar su garantía y recibir servicio.

Número de modelo: _____

Número de serie: _____

Fecha de compra: _____

Necesitas ayuda?

Antes de llamar al servicio, aquí hay algunas cosas que puede hacer para ayudarnos a servirle mejor.

Lea este manual del propietario:

Contiene instrucciones para ayudarlo a usar y mantener su aparato correctamente.

Si recibe un aparato dañado:

Inmediatamente póngase en contacto con el minorista o el constructor que le vendió el aparato.

Ahorre tiempo y dinero:

Consulte la sección de solución de problemas al final de este manual antes de llamar. Esta sección le ayudará a resolver problemas comunes que pueden ocurrir.



1-800-26- Danby
(1-800-263-2629)



Información de Seguridad Importante

LEA Y SIGA TODAS LAS INSTRUCCIONES DE SEGURIDAD

REQUERIMIENTOS DE SEGURIDAD

Este aparato no está diseñado para ser utilizado por personas (incluyendo niños) cuyas capacidades físicas, sensoriales o mentales sean diferentes o reducidas, o que carezcan de experiencia o conocimiento, a menos que dichas personas reciban supervisión o entrenamiento para operar el aparato por una persona responsable de su uso. La seguridad.

Los niños deben ser supervisados para asegurarse de que no juegan con el aparato.

Para evitar el riesgo de descarga eléctrica, no utilice este aparato en un área que pueda acumular agua estancada. Si se desarrolla esta condición, desconecte la fuente de alimentación antes de entrar en el agua.

No almacene ni utilice materiales combustibles tales como gasolina u otros vapores o líquidos inflamables cerca de este o de cualquier otro aparato.

No introduzca los dedos u otros objetos en las parrillas o aberturas del aparato.

No cubra ni bloquee las aberturas de admisión y de escape.

No opere el aparato sin el filtro instalado.

No utilice el aparato cerca de fuentes de calor.

Este aparato está destinado únicamente a aplicaciones interiores y residenciales. No utilice este aparato al aire libre. No utilice este aparato para aplicaciones comerciales o industriales.

Si el acondicionador de aire es transportado en su parte posterior o lateral, se debe permitir que se mantenga erguido durante 6 horas antes de enchufarlo para evitar daños a los componentes internos.

Mantenga el aparato alejado de paredes, muebles y cortinas con un espacio de al menos 30 cm (12 pulgadas) por todos lados.

INSTRUCCIONES DE CONEXION A TIERRA

Este aparato debe estar conectado a tierra. La puesta a tierra reduce el riesgo de descarga eléctrica proporcionando un cable de escape para la corriente eléctrica.

Este aparato tiene un cable que tiene un cable de conexión a tierra con un enchufe de 3 clavijas. El cable de alimentación debe estar enchufado en un tomacorriente que esté debidamente conectado a tierra. Si el tomacorriente es un tomacorriente de dos clavijas, debe ser reemplazado por un tomacorriente de 3 clavijas con conexión a tierra adecuada. La placa de características en serie indica el voltaje y la frecuencia para los que está diseñado el artefacto.

ADVERTENCIA - El uso incorrecto del enchufe de conexión a tierra puede ocasionar un riesgo de descarga eléctrica. Consulte a un electricista o agente de servicio calificado si las instrucciones de conexión a tierra no se entienden completamente o si existe duda sobre si el aparato está debidamente conectado a tierra.

No conecte el aparato a cables de extensión, adaptadores o junto con otro aparato en la misma toma de corriente.

No empalme el cable de alimentación. No corte ni extraiga en ningún caso la tercera clavija de tierra del cable de alimentación.

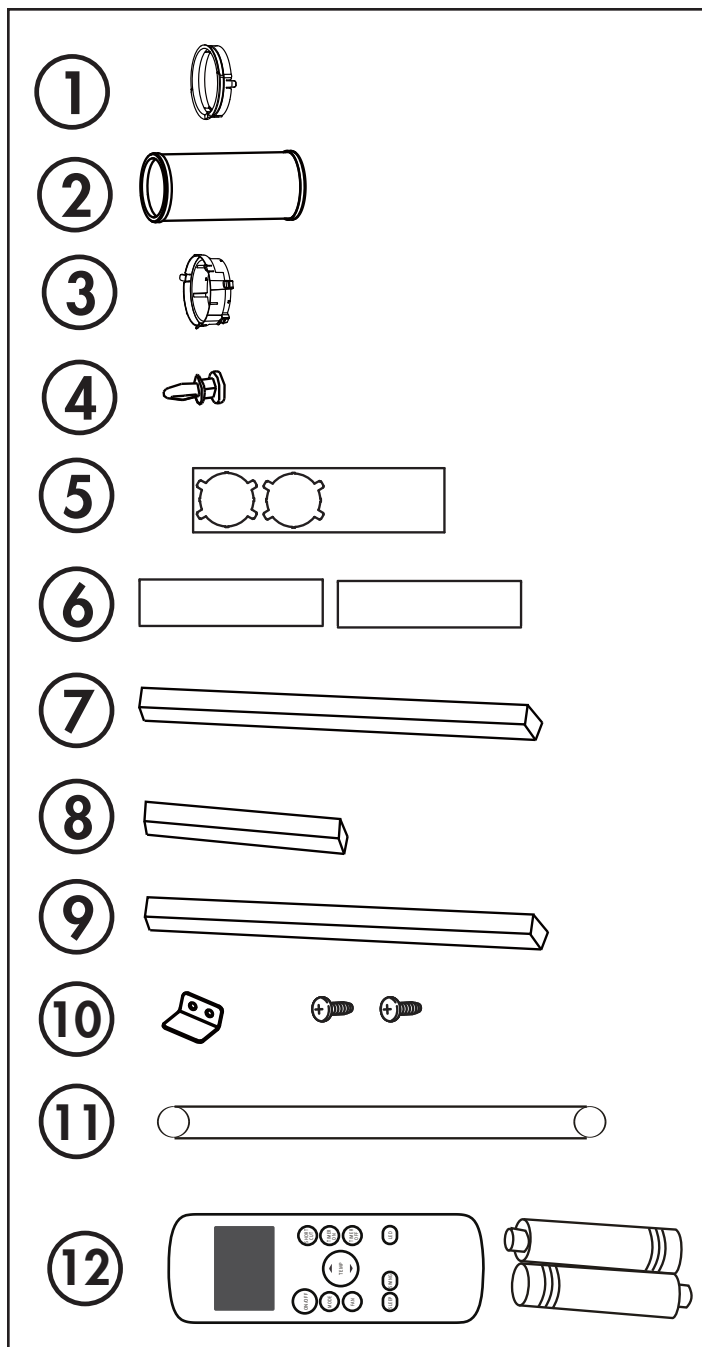
Si el cable de alimentación está dañado, debe ser reemplazado por el fabricante, su agente de servicio o persona calificada similar para evitar riesgos.

¡GUARDA ESTAS INSTRUCCIONES!

INSTRUCCIONES DE INSTALACIÓN

ACCESORIOS

1. Adaptador de salida de aire (x2)
2. Manguera de escape (x2)
3. Adaptador deslizante de la ventana (x2)
4. 2 tornillos
5. Deslizador de ventana A
6. Ventana deslizante B y C
7. Junta de espuma A (adhesivo)
8. Sello de espuma B (adhesivo)
9. Junta de espuma C (no adhesiva)
10. Soporte de seguridad y 2 tornillos
11. Manguera de drenaje
12. Control remoto y baterías

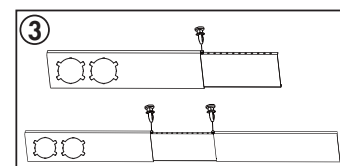
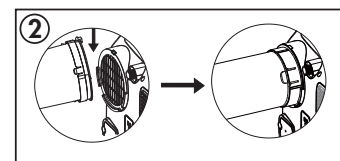
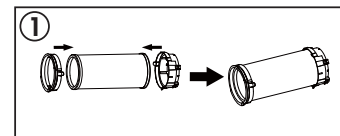


HERRAMIENTAS REQUERIDAS

1. Destornillador Phillips de tamaño mediano
2. Cinta métrica o regla
3. Cuchillo o tijeras
4. Sierra (en el caso de que los controles deslizantes de la ventana deban cortarse a medida)

MONTAJE DEL KIT DE LA VENTANA

1. Conecte el adaptador de salida de aire y el adaptador deslizante de la ventana en cualquier extremo de la manguera de escape. Haga esto para ambas mangueras de escape.
2. Inserte el adaptador de salida de aire en la ranura inferior de la salida de aire en la parte posterior del aparato. Asegúrese de que el gancho del adaptador esté alineado con el orificio de la salida de aire y luego deslice hacia abajo. Haga esto para ambas mangueras de escape.
3. Mida la abertura de la ventana donde se instalará el kit de la ventana. Ensamble todos los controles deslizantes que sean necesarios para adaptarse a la ventana.
4. Si la longitud de la ventana requiere los tres controles deslizantes, use dos tornillos para fijar los controles deslizantes a la longitud correcta.
5. Si la apertura de la ventana es menor que la longitud mínima de un solo control deslizante, use el control deslizante que tiene el agujero y córtelo a la longitud correcta. Asegúrese de no cortar el extremo que tiene el orificio ya que esto es necesario para conectar el adaptador de la manguera de escape.



INSTRUCCIONES DE INSTALACIÓN

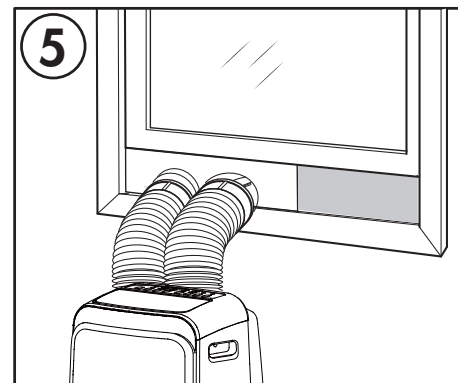
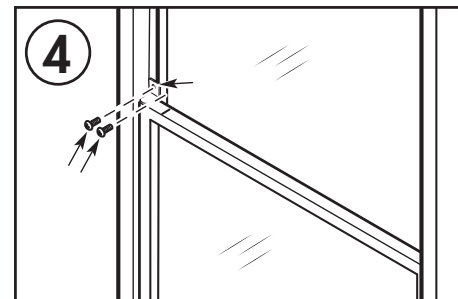
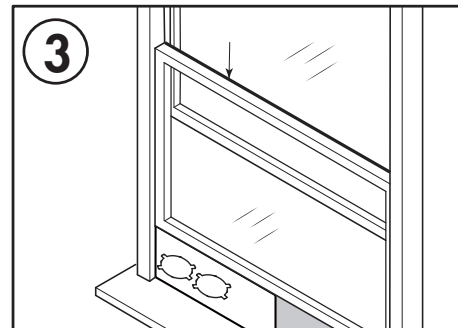
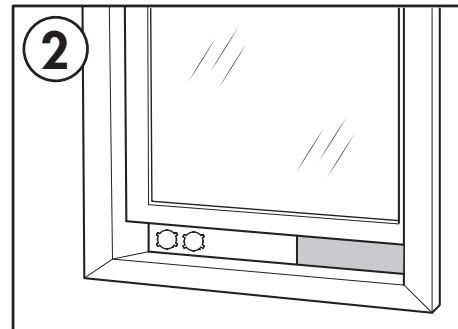
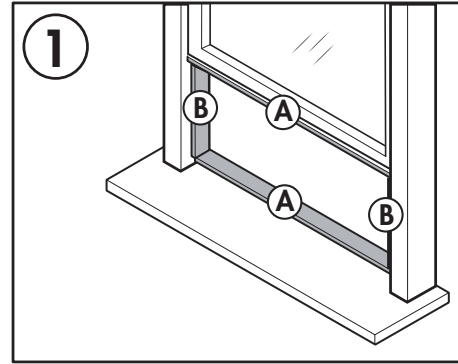
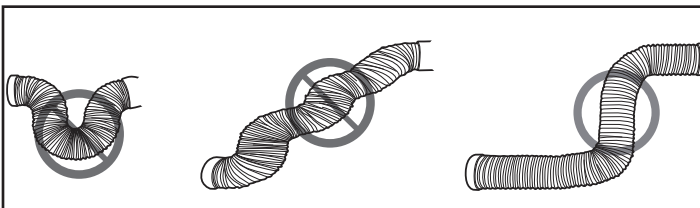
INSTALAR EL KIT DE VENTANA

Existen dos métodos de instalación posibles según el tipo de ventana disponible.

Instalación de ventana colgante

1. Corte los sellos de espuma adhesiva A y B a la longitud correcta para la ventana. Adjúntelos a la hoja y marco de la ventana como se muestra.
2. Inserte el kit deslizante de la ventana ensamblada en la abertura de la ventana.
3. Corte el sello de potro no adhesivo C para que coincida con el ancho de la ventana. Inserte el sello de espuma entre el vidrio y el marco de la ventana para evitar que el aire y los insectos entren en la habitación.
4. Instale el soporte de seguridad en el marco de la ventana con los dos tornillos provistos.
5. Fije los adaptadores del deslizador de la ventana a los orificios del kit del deslizador de la ventana.

Nota: No extienda ni doble la manguera ya que esto impedirá el flujo de aire.

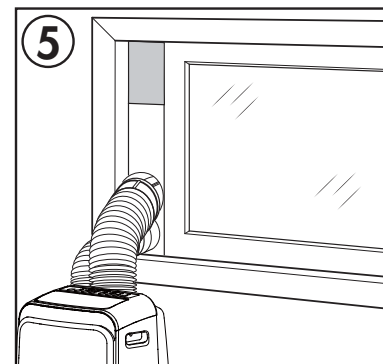
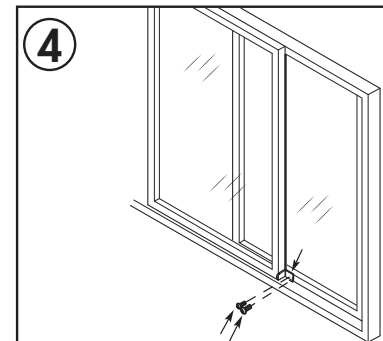
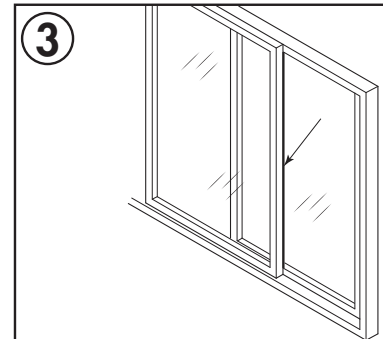
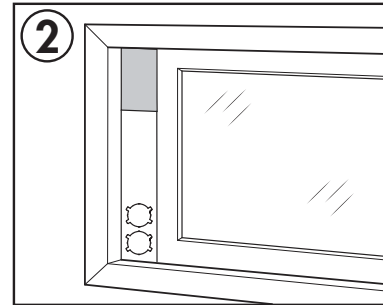
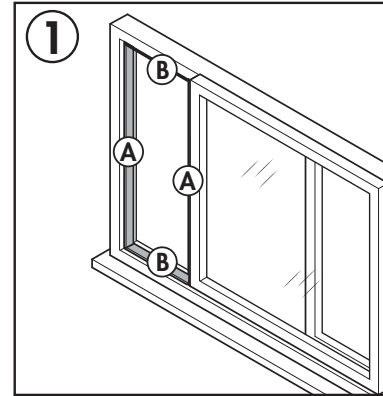
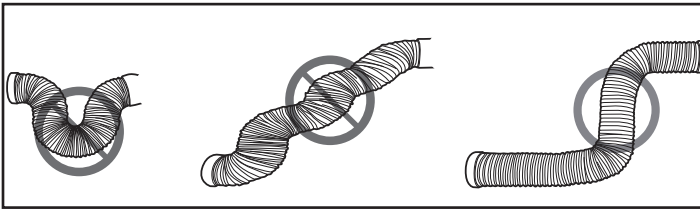


INSTRUCCIONES DE INSTALACIÓN

Instalación de ventana deslizante

1. Corte los sellos de espuma adhesiva A y B a la longitud correcta para la ventana. Adjúntelos a la hoja y marco de la ventana como se muestra.
2. Inserte el kit deslizante de la ventana ensamblada en la abertura de la ventana.
3. Corte el sello de potro no adhesivo C para que coincida con el ancho de la ventana. Inserte el sello de espuma entre el vidrio y el marco de la ventana para evitar que el aire y los insectos entren en la habitación.
4. Instale el soporte de seguridad en el marco de la ventana con los dos tornillos provistos.
5. Fije los adaptadores del deslizador de la ventana a los orificios del kit del deslizador de la ventana.

Nota: No extienda ni doble la manguera ya que esto impedirá el flujo de aire.

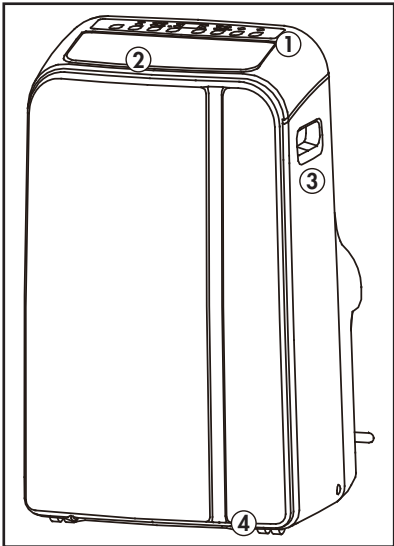


INSTRUCCIONES DE OPERACIÓN

CARACTERÍSTICAS

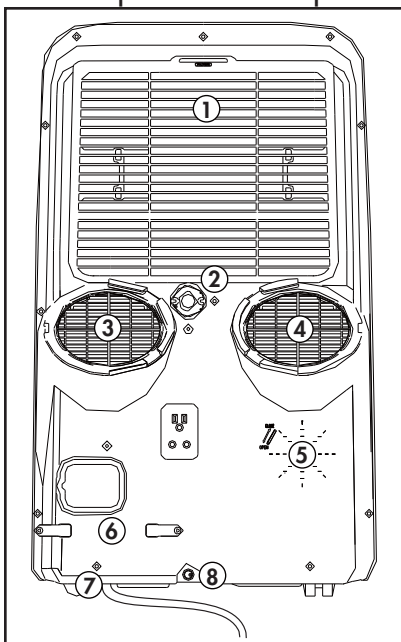
Frente

1. Panel de control
2. Luminera horizontal
3. Manija (ambos lados)
4. Rodillos



Posterior

1. Filtro de aire superior y toma de aire
2. Salida de drenaje continua
3. Escape de aire inferior
4. Baje el filtro de aire y la toma de aire
5. Salida de aire
6. Banda de almacenamiento del cable de alimentación
7. Cable de alimentación
8. Salida de drenaje de la bandeja de rebose



UBICACIÓN

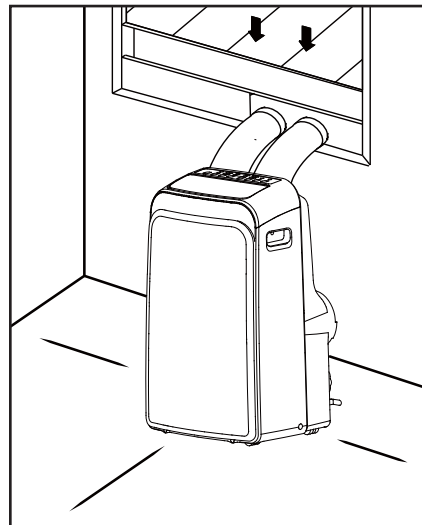
Coloque el acondicionador de aire en un piso liso y nivelado que sea lo suficientemente fuerte para soportarla y todos los accesorios incluidos.

Asegúrese de que el aparato esté nivelado para minimizar el ruido y las vibraciones.

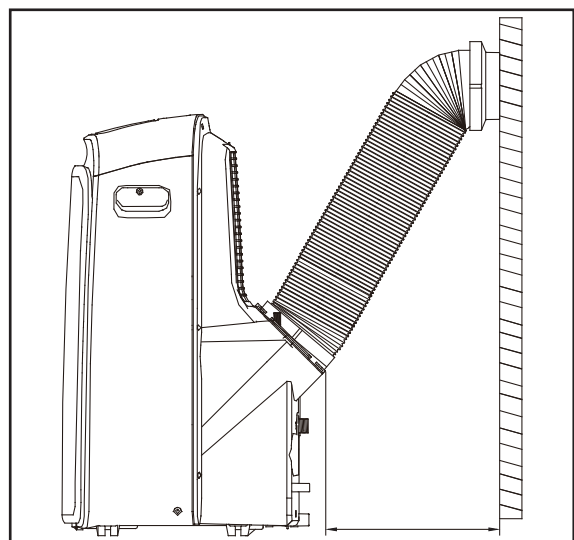
El electrodoméstico debe instalarse cerca de un receptáculo puesto a tierra y debe tener acceso a la salida de drenaje de desbordamiento en la parte posterior del electrodoméstico.

No cubra las entradas o salidas de aire ni el receptor de control remoto en el panel de control.

El aparato requiere 30 cm (12 pulgadas) de espacio libre en el frente y los costados.



El aparato requiere al menos 50 cm (20 pulgadas) de espacio libre en la parte posterior.



INSTRUCCIONES DE OPERACIÓN

PANEL DE CONTROL

- Botón de oscilación:** Presione para iniciar la función de oscilación automática. Cuando se activa la oscilación automática, presione de nuevo para detener la persiana en el ángulo deseado.
- Botón del temporizador:** Presione para iniciar las funciones de encendido automático o apagado automático. La luz indicará si está configurado un temporizador.
- Botón de modo:** Presione para seleccionar el modo deseado. Los modos harán un ciclo en secuencia con cada presión del botón; auto, fresco, seco, ventilador. La luz indicará el modo actual.
- Botones arriba y abajo:**
 - Se utiliza para configurar la temperatura y el temporizador.
 - Mantenga presionados los botones hacia arriba y hacia abajo durante 3 segundos para cambiar la visualización de la temperatura de °C a °F.
- Pantalla LED:**
 - Muestra la temperatura establecida en °C o °F o la configuración del temporizador automático.
 - Mientras está en modo seco, muestra la humedad relativa.
 - Cuando está en el modo de ventilador, muestra la temperatura de la habitación.
- Botón de ventilador:** Presione para seleccionar la velocidad del ventilador; normal o alto. La luz indicará la velocidad actual.
- Botón de dormir:** Pulse para iniciar la función del dormir.
- Botón de encendido:** Presione para encender o apagar la unidad.

Modos de funcionamiento

• Modo frío (cool)

Elija el modo frío para configurar la función de refrigeración. Use las flechas hacia arriba y hacia abajo para elegir la temperatura deseada. Cuando se selecciona el modo frío, la velocidad del ventilador se puede ajustar presionando el botón del ventilador.

La temperatura puede establecerse en un rango de 17 - 30°C (62 - 86°F).

La manguera de escape debe instalarse en modo frío para garantizar los mejores resultados.

• Modo seco (dry)

Elija el modo seco para eliminar el exceso de humedad del aire durante los períodos de alta humedad. Toda el agua extraída del aire se condensará dentro del aparato y drenará la parte posterior.

La humedad se puede ajustar en incrementos de 5% entre 35% y 85%.

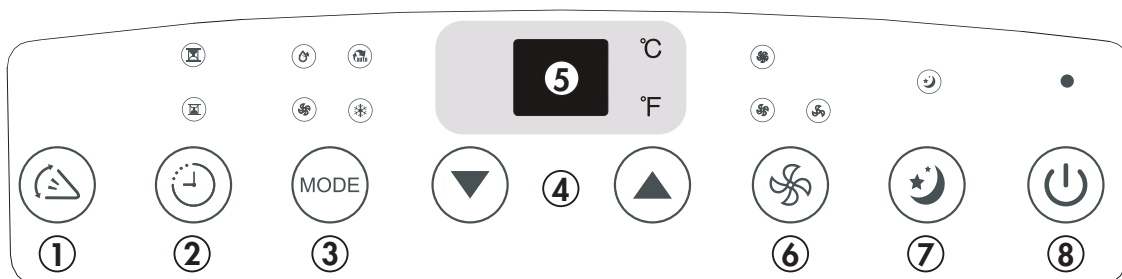
La velocidad del ventilador se establecerá automáticamente y no se puede modificar en modo seco.

• Modo de ventilador (fan)

Elija el modo de ventilador para ejecutar el ventilador interno sin comprometer la función de refrigeración. Presione repetidamente el botón del ventilador para elegir la velocidad del ventilador, Baja, Media, Alta o Automática.

• Modo automático (auto)

El modo automático es un programa de fábrica preestablecido que define automáticamente el modo (frío o seco) y la velocidad del ventilador en función de la temperatura establecida, la temperatura ambiente y la humedad ambiental.



INSTRUCCIONES DE OPERACIÓN

Función del temporizador

Para configurar el temporizador de apagado automático:



- Asegúrese de que la unidad esté encendida
- Presione el botón del temporizador y la luz indicadora de apagado del temporizador se iluminará
- Pulse los botones arriba o abajo para seleccionar la cantidad de horas que desea antes de que la unidad se apague

Para ajustar el temporizador de encendido automático:



- Asegúrese de que la unidad esté apagada
- Pulse el botón del temporizador y la luz indicadora del temporizador encenderá
- Pulse los botones arriba o abajo para seleccionar la cantidad de horas que desea antes de que se encienda la unidad

Notas:

- Los botones arriba y abajo aumentarán o disminuirán el tiempo en incrementos de 0,5 horas hasta 10 horas y luego en incrementos de 1 hora hasta 24 horas
- La pantalla volverá a mostrar la configuración de temperatura anterior si la unidad no recibe una señal dentro de un período de 5 segundos durante la programación
- Encender o apagar el aparato en cualquier momento o ajustar el temporizador a 0,0 horas cancelará los ajustes del temporizador automático

Uso del temporizador automático de encendido y apagado al mismo tiempo

Si es necesario que el aparato se encienda, funcione durante un período de tiempo determinado y luego se apague, los temporizadores de encendido y apagado se pueden utilizar al mismo tiempo, ajustando primero uno y luego el otro. Ambas luces indicadoras se iluminarán y la pantalla contará hasta que el aparato se apague o se encienda, sea cual sea la función que haya sido configurada en primer lugar.

Nota: El temporizador no encenderá y apagará el aparato indefinidamente. Los temporizadores de encendido y apagado funcionarán una vez y luego el aparato volverá al funcionamiento normal.

Función de dormir

La función de dormir se puede utilizar para conservar la energía durante las horas de dormir.

Cuando se selecciona, la temperatura ajustada aumentará en 2 grados durante un período de 2 horas. El aparato mantendrá la nueva temperatura ajustada durante 7 horas antes de volver automáticamente al funcionamiento normal.

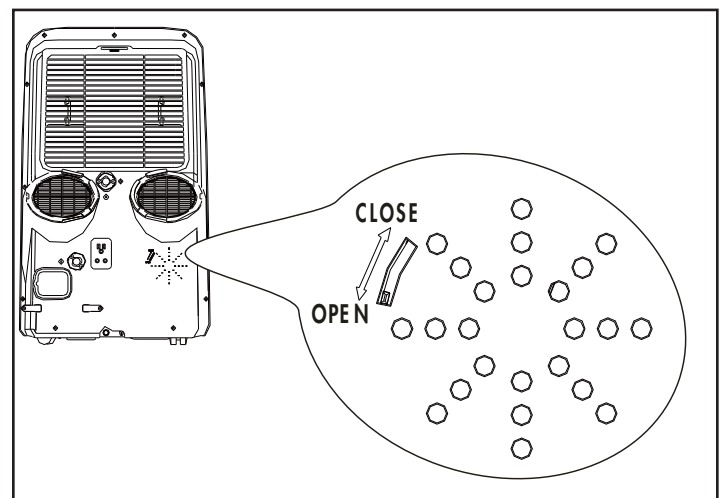
La función dormir se puede cancelar en cualquier momento pulsando el botón dormir.

Control de ventilación

Hay un orificio de ventilación en la parte posterior del aparato que se puede configurar para "abrir" o "cerrar".

Coloque la ventilación en la posición "abierta" y el artefacto extraerá aire viciado del interior de la habitación y lo expulsará hacia el exterior a través de la manguera de escape.

Coloque la ventilación en la posición "cerrada" y el aparato no extraerá aire de la habitación.



INSTRUCCIONES DE OPERACIÓN

CONTROL REMOTO

El control remoto funciona a una distancia de 8 m (26 pies) del dispositivo. La recepción se confirma con un pitido.

- 1. Botón de encendido:** Presione para encender o apagar la unidad.
- 2. Botón de modo:** Presione para seleccionar el modo deseado.
- 3. Botón de ventilador:** Presione para seleccionar la velocidad del ventilador.
- 4. Botón de dormir:** Pulse para iniciar la función del dormir.
- 5. Botón de oscilación:** Presione para iniciar la función de oscilación automática. Cuando se activa la oscilación automática, presione de nuevo para detener la persiana en el ángulo deseado.
- 6. Botón LED:** Presione para encender o apagar la pantalla LED.
- 7. Botón de apagado del temporizador:** Presione para configurar el temporizador de apagado automático.
- 8. Botón de temporizador encendido:** Presione para configurar el temporizador de encendido automático.
- 9. Botón de acceso directo:** Presione para configurar y activar la función de acceso directo.
- 10. Botones arriba y abajo:**
 - Se utiliza para configurar la temperatura y el temporizador.
 - Mantenga presionados los botones hacia arriba y hacia abajo durante 3 segundos para cambiar la visualización de la temperatura de °C a °F.
- 11. Pantalla LED:**
 - Muestra la temperatura establecida en °C o °F o la configuración del temporizador automático.
 - Mientras está en modo seco, muestra la humedad relativa.
 - Cuando está en el modo de ventilador, muestra la temperatura de la habitación.



Función de acceso directo (sólo disponible en el control remoto):

- Se utiliza para guardar un ajuste favorito.
- Ajuste el aparato a la temperatura y la velocidad del ventilador que desee fijar como favorito.
- Mantenga presionado el botón de acceso directo durante 2 segundos.
- Presione el botón de atajo en cualquier momento en el futuro para volver a la configuración favorita.
- Si no se establece ningún favorito, al presionar el botón de acceso directo, el aparato funcionará en modo automático a 29°C (79°F), con la velocidad del ventilador configurada en Auto.

INSTRUCCIONES DE OPERACIÓN

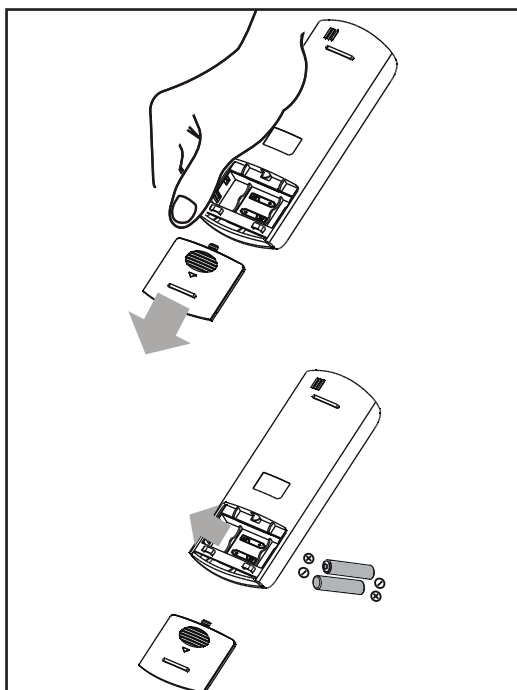
SUSTITUIR LAS PILAS DEL MANDO A DISTANCIA

Este acondicionador de aire viene con dos pilas AAA. Coloque las pilas en el mando a distancia antes de usarlas.

1. Deslice la cubierta posterior desde el control remoto hacia abajo para exponer el compartimiento de la batería.
2. Inserte las pilas, asegúrese de que coincidan con los símbolos (+) y (-) en los extremos de las baterías con los símbolos dentro del compartimiento de la batería.
3. Vuelva a colocar la tapa de la batería en su lugar.

Notas:

- El acondicionador de aire no responderá si cortinas, puertas u otros materiales bloquean la señal del mando a distancia a la unidad.
- Evite que el líquido entre en contacto con el mando a distancia. No exponga el control remoto a la luz directa del sol ni al calor.
- Si el receptor de señales de infrarrojos de la unidad interior está expuesto a la luz directa del sol, es posible que el acondicionador de aire no funcione correctamente. Utilice cortinas para evitar que la luz del sol caiga sobre el receptor.
- No mezcle baterías viejas y nuevas o baterías de diferentes tipos.
- No deje las baterías en el mando a distancia si no va a ser utilizado por más de 2 meses.



Este equipo ha sido probado y cumple con los límites para un dispositivo digital de Clase B, de acuerdo con la Parte 15 de las Reglas de la FCC. Estos límites están diseñados para proporcionar una protección razonable contra interferencias dañinas en una instalación residencial. Este equipo genera, utiliza y puede irradiar energía de radiofrecuencia y, si no se instala y utiliza de acuerdo con las instrucciones, puede causar interferencia perjudicial a las comunicaciones de radio. Sin embargo, no hay garantía de que no se produzcan interferencias en una instalación en particular.

Si este equipo causa interferencias perjudiciales a la recepción de radio o televisión, lo que puede determinarse apagando y encendiendo el equipo, se recomienda al usuario que intente corregir la interferencia mediante una o más de las siguientes medidas:

1. Reorientar o reubicar la antena receptora
2. Aumente la separación entre el equipo y el receptor
3. Conecte el equipo a una toma de corriente en un circuito distinto al que está conectado el receptor
4. Consulte con el distribuidor o con un técnico de radio / TV experimentado para obtener ayuda.

Los cambios o modificaciones no aprobados por la parte responsable del cumplimiento de la FCC podrían anular la autoridad del usuario para operar el equipo. Este aparato cumple con la Parte 15 de las Reglas de la FCC.

El funcionamiento está sujeto a las siguientes condiciones:

1. Este dispositivo no puede causar interferencias perjudiciales.
2. Este dispositivo debe aceptar cualquier interferencia recibida, incluida la interferencia que pueda causar un funcionamiento no deseado.

Este dispositivo cumple con las normas canadienses CAN ICES-3 (B) / NMB-3 (B)

IMPORTANTE

No deseche las baterías como desechos municipales no clasificados. Consulte las leyes locales para la eliminación adecuada de las baterías.

INSTRUCCIONES DE OPERACIÓN

EL DRENAJE DEL AGUA

Cuando el recipiente de drenaje interno se llene, el aparato emitirá un pitido 8 veces y la pantalla digital mostrará el código de error P1. La acción de aire acondicionado o deshumidificación se detendrá, pero el ventilador puede continuar funcionando.

Hay dos métodos para drenar el agua del aparato.

1. Tapón de drenaje

1. Apague el aparato y desenchúfelo de la fuente de alimentación.
2. Mueva con cuidado el aparato a un lugar donde pueda drenarse el agua.
3. Retire el tapón de drenaje y deje que el agua se drene por completo.
4. Vuelva a colocar el tapón de drenaje inferior, presionando firmemente para asegurar un ajuste apretado y sin fugas.
5. El símbolo de error P1 desaparecerá y el aparato reanudará la función normal una vez que se restablezca la alimentación.

2. Drenaje Continuo

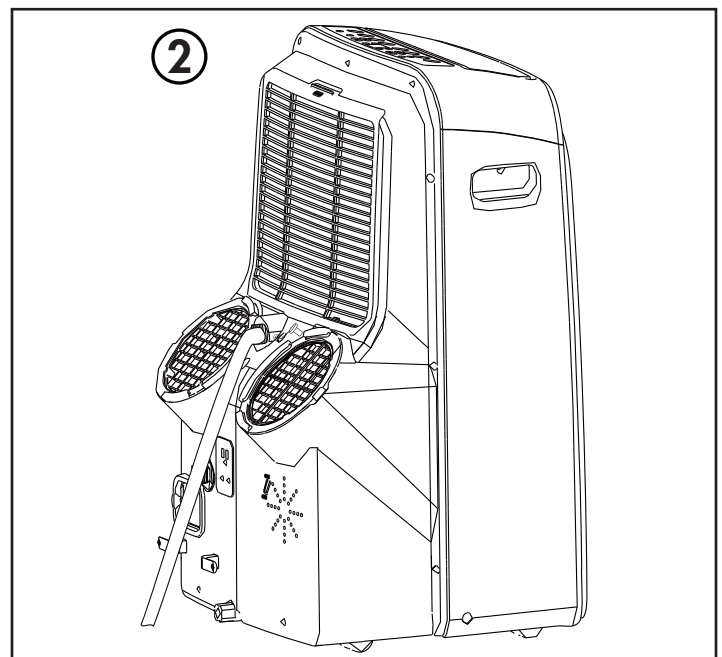
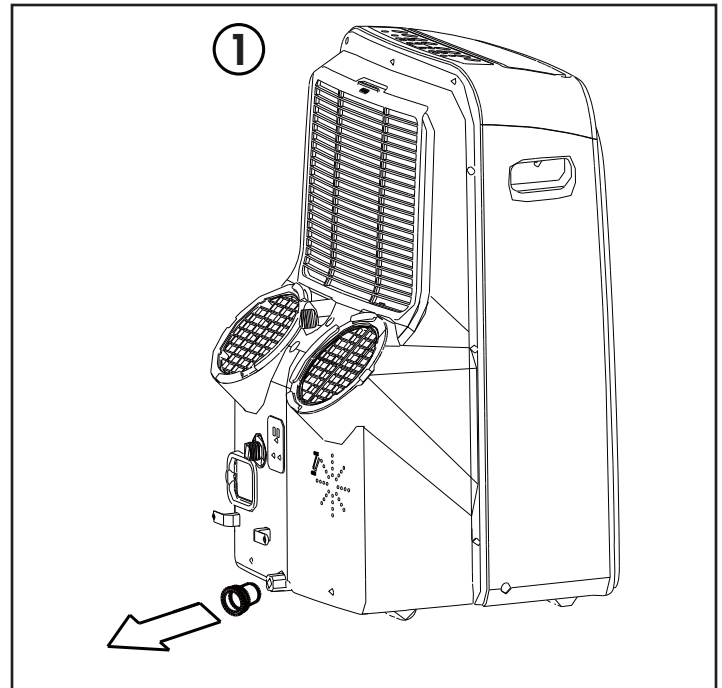
Durante el modo seco, es posible que desee configurar la opción de drenaje continuo para que el dispositivo automáticamente drene el agua recogida.

Retire la manguera de escape durante el modo seco, no es necesario. Asegúrese de que el aparato esté apagado y desenchufado de la fuente de alimentación antes de instalar la manguera de desagüe.

Retire el tapón de drenaje superior y coloque la manguera de desagüe suministrada con el aparato. Asegúrese de que no haya torceduras ni curvas en la manguera de desagüe, ya que esto puede impedir que el agua se drene.

Coloque el extremo abierto de la manguera de desagüe sobre el receptáculo en el que el aparato vaciará; esto podría ser un desagüe del piso del sótano, un fregadero o similar.

Recuerde que no hay bomba de desagüe en este aparato, el drenaje continuo es activado sólo por gravedad. Asegúrese de que la manguera de desagüe va directamente hacia el suelo desde la conexión de drenaje. Si la manguera no se coloca directamente hacia abajo, el agua no drenará correctamente.



CUIDADO Y MANTENIMIENTO

LIMPIEZA

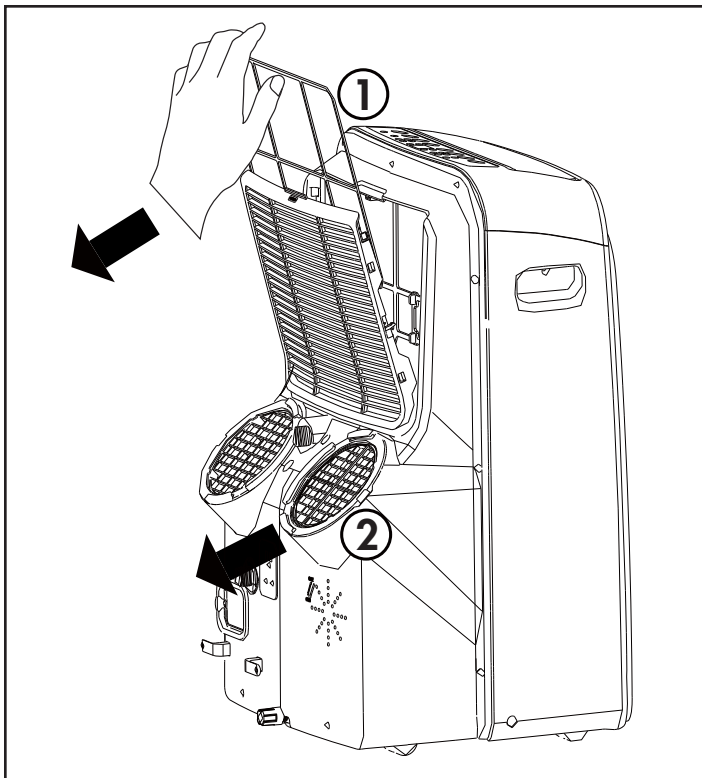
- Desconecte el aparato antes de limpiarlo o repararlo.
- Limpie el gabinete con un paño húmedo tibio y detergente neutro. Seque el gabinete con un paño seco sin pelusa.
- No utilice gasolina, diluyente de pintura u otros productos químicos para limpiar el aparato.
- No lave el aparato directamente debajo de un grifo o con una manguera. Puede causar daños eléctricos.

FILTROS DE AIRE

Hay dos filtros de aire en este aparato. Los filtros de aire se deben limpiar cada dos semanas para asegurar un rendimiento eficiente.

En los hogares con animales, los filtros de aire pueden necesitar ser limpiados con más frecuencia y las parrillas externas pueden necesitar ser limpiadas para evitar el flujo de aire bloqueado.

No opere el artefacto sin los filtros instalados, ya que la suciedad y las pelusas pueden obstruir el artefacto y reducir el rendimiento.



ALMACENAMIENTO A LARGO PLAZO

1. Vacíe todo el agua del aparato.
2. Haga funcionar el aparato en modo ventilador durante medio día en una habitación caliente para secar el interior del aparato y evitar la formación de moho.
3. Apague el aparato y desenchúfelo, enrolle el cable y fíjelo con cinta adhesiva.
4. Retire las pilas del mando a distancia.
5. Limpie los filtros de aire y vuelva a instalarlos.
6. Guarde el aparato en un lugar fresco y oscuro. La exposición prolongada a la luz solar directa o al calor extremo puede acortar la vida útil del aparato.

ELIMINACIÓN DE DESECHOS

Este aparato no debe ser tratado como una basura doméstica normal. Compruebe la conformidad reglamentaria local con respecto a la eliminación aprobada y segura de este aparato.

CÓDIGOS DE ERROR

- E1 - error del sensor de temperatura ambiente
- E2 - error del sensor de temperatura del evaporador
- E4 - error de comunicación del panel de visualización
- E7 - anomalía de cruce por cero
- P1 - la bandeja de agua está llena - coloque la manguera de drenaje y drene el exceso de agua

SOLUCIÓN DE PROBLEMAS

Danby cuidado del consumidor: 1-800-263-2629

Horas de operación:

Lunes a Jueves 8:30 am - 6:00 pm Hora estándar del este

Viernes 8:30 am - 4:00 pm Hora estándar del este

La información de este manual está sujeta a cambios sin previo aviso.

PROBLEMA	CAUSA POSIBLE
El aparato no funcionará	<ul style="list-style-type: none">• El enchufe no está completamente insertado en la toma de corriente de la pared• Fusible fundido o disyuntor
Enfriamiento insuficiente	<ul style="list-style-type: none">• Los filtros de aire están sucios• Flujo de aire bloqueado• El tamaño del dispositivo es demasiado pequeño para la aplicación
Ruido	<ul style="list-style-type: none">• El suelo no está nivelado• Los filtros de aire están sucios• Sonidos de gorjeo son normales; este es el refrigerante que se mueve dentro del aparato
Olores	<ul style="list-style-type: none">• Formación del molde en superficies mojadas internas• Coloque un comprimido de algicida en el molde de la base; empuje la tableta a través de la parrilla en la parte posterior del aparato

GARANTÍA LIMITADA "A DOMICILIO"

Este producto de calidad está garantizado contra defectos de fabricación, incluyendo partes y mano de obra, siempre y cuando la unidad se utilice bajo las condiciones normales de funcionamiento para las que fue diseñado. Esta garantía está solamente disponible para la persona que haya comprado originalmente esta unidad directamente de Danby Products Limited (Canada) o Danby Products Inc. (U.S.A.) (en adelante "Danby") o uno de sus distribuidores autorizados, y no es transferible.

CONDICIONES DE LA GARANTÍA

Las piezas plásticas, se autorizan por treinta (30) días solamente a partir de la fecha de la compra, sin las extensiones proporcionadas.

Primeros 12 meses Durante los primeros **doce (12) meses**, cualquier parte en buen estado de este producto que resulte defectuosa, incluyendo cualquier sistema sellado, será reparado o reemplazado, a opción del fabricante, sin cargo para el comprador ORIGINAL.

Para obtener servicio Comuníquese con el distribuidor donde haya comprado la unidad, o llame al Taller de Servicio Autorizado más cercano, donde debe ser reparada por un técnico calificado. Si esta unidad es reparada en otro lugar que no sea un Taller de Servicio Autorizado, o si la unidad se utiliza para aplicaciones comerciales, Danby no se hará responsable de ninguna forma y la garantía será anulada.

Límites del servicio técnico a domicilio Danby se reserva el derecho de limitar la cobertura de "Servicio en Domicilio" sujeto a la proximidad de un **Taller de Servicio Autorizado**. Para todo artefacto que requiera servicio fuera del área limitada de "Servicio en Domicilio", el cliente será responsable por transportar dicho artefacto hasta el Taller de Servicio Autorizado más cercano. Si el electrodoméstico está instalado en un lugar que se encuentra a **100 kilómetros (62 millas)** o más del centro de servicios más cercano, se debe llevar la unidad al Centro de servicios Danby autorizado más cercano, ya que dicho servicio sólo puede realizarlo un técnico calificado y certificado por Danby para prestar servicios de garantía.

Los cargos por transporte desde y hacia el lugar en que se efectúe el servicio técnico no están cubiertos por esta garantía y son de responsabilidad del comprador.

Nada dentro de esta garantía implica que Danby será responsable por cualquier daño que hayan sufrido los alimentos u otros contenidos de este aparato, ya sea debido a un defecto del aparato, o su uso, adecuado o inadecuado.

EXCLUSIONES

Salvo lo aquí indicado por Danby, no existen otras garantías, condiciones o representaciones, explícitas o implícitas, concretas o intencionales por parte de Danby o sus distribuidores autorizados y todas las demás garantías, condiciones o representaciones, incluyendo cualquier garantía, condiciones o representaciones bajo cualquier Acta de Venta de Productos o legislación o estatuto similar, quedan de esta forma expresamente excluidas. **Salvo lo aquí indicado, Danby no serán responsables por ningún daño a personas o bienes, incluyendo la propia unidad, sin importar su causa, o de ningún daño indirecto causado por el desperfecto de la unidad, y al comprar esta unidad, el comprador acepta por la presente, indemnizar y proteger a Danby contra cualquier reclamo por daños a personas o bienes causados por la unidad.**

CONDICIONES GENERALES

No se considerará ninguna de estas garantías o seguros cuando el daño o la necesidad de reparación sea el producto de los siguientes casos:

- 1) Falla del suministro eléctrico.
- 2) Daños en tránsito o durante el transporte de la unidad.
- 3) Alimentación incorrecta, como bajo voltaje, instalación eléctrica defectuosa o fusibles inadecuados.
- 4) Accidente, modificación, abuso o uso incorrecto del artefacto, tal como insuficiente ventilación del ambiente o condiciones de operación anormales (temperatura ambiente extremadamente alta o baja).
- 5) Utilización comercial o industrial (v.g., si el electrodoméstico no está instalado en una vivienda particular).
- 6) Incendio, daños por agua, robo, guerra, disturbios, hostilidades, actos de fuerza mayor como huracanes, inundaciones, etc.
- 7) Pedidos de servicio debido a desinformación del usuario.
- 8) Instalación inadecuada (v.g., instalación empotrada de un electrodoméstico diseñado como unidad independiente o uso de un electrodoméstico al aire libre que no esté aprobado para dicho fin, incluyendo pero no limitado a: garajes, patios, porches o en cualquier lugar que no esté bien aislado o controlado por el clima).

Se requerirá una prueba de la fecha de compra para reclamaciones de garantía; Retener las facturas de venta. En el caso de que se requiera servicio de garantía, presente el comprobante de compra a nuestro depósito de servicio autorizado.

Servicio de Garantía
Servicio en Domicilio

Danby Products Limited
PO Box 1778, Guelph, Ontario, Canada N1H 6Z9
Telephone: (519) 837-0920 FAX: (519) 837-0449

1-800-263-2629
04/17

Danby Products Inc.
PO Box 669, Findlay, Ohio, U.S.A. 45840
Telephone: (419) 425-8627 FAX: (419) 425-8629



MODEL • MODÈLE • MODELO
DPA120DBAUGDB