



Installation Instructions For STOS & TOS SERIES SERVING SHELVES



STOS Series Shelf



TOS Series Shelf

**CHECK FOR CONCEALED DAMAGE
FILE CLAIM WITH DELIVERING FREIGHT CARRIER**

INSTALLATION FOR TOS SERIES SHELF

Contents:

- (4) Expander Leg Bolts
- (6) Sheet Metal Screws
- (16) Dome Cap Nuts

Tools Required:

- Philip's Head Screw Driver
- Pliers

STEP 1: Place top shelf **(A)** upside down and mount top leg assembly **(B)** to the studs inside the shelf using the dome cap screws **(D)**.

STEP 2: Insert the expander leg bolts **(C)** thru the bottom shelf and assemble the bushings and knurled nut as shown in **Figure 1**.

STEP 3: Place the stainless shelf **(E)** onto the top leg assembly and tighten the expander bolts until they grab the inside of the legs tightly.

STEP 4: Attach the bottom leg assembly **(G)** thru the studs inside the bottom shelf using the dome cap screws.

STEP 5: Then use the remaining cap nuts to tighten the bottom shelf to the bottom leg assemblies

STEP 6: Remove the existing sheet metal screws from the hot food table sides, then turn the assembled unit over and place in the center of your hot food table. Use the sheet metal screws **(H)** to then attach the over shelf in the existing holes.

(C) Expander Leg Bolts

(D) Dome Cap Screws

(H) Sheet Metal Screws

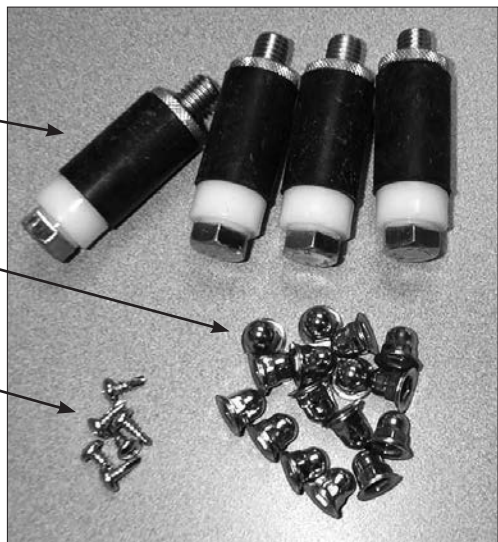


Figure 1

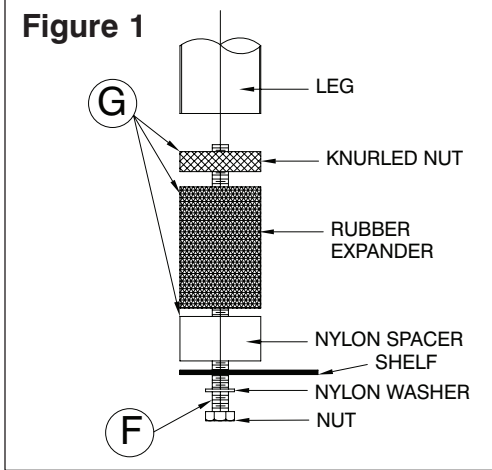
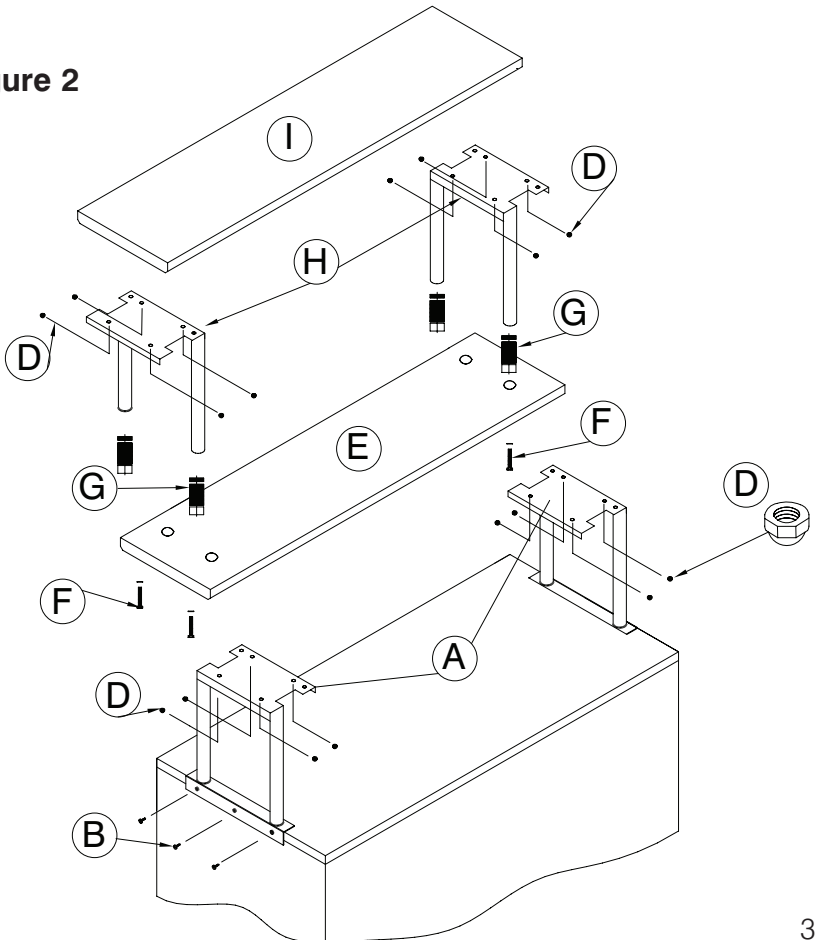


Figure 2



INSTALLATION FOR STOS SERIES SHELF

Contents:

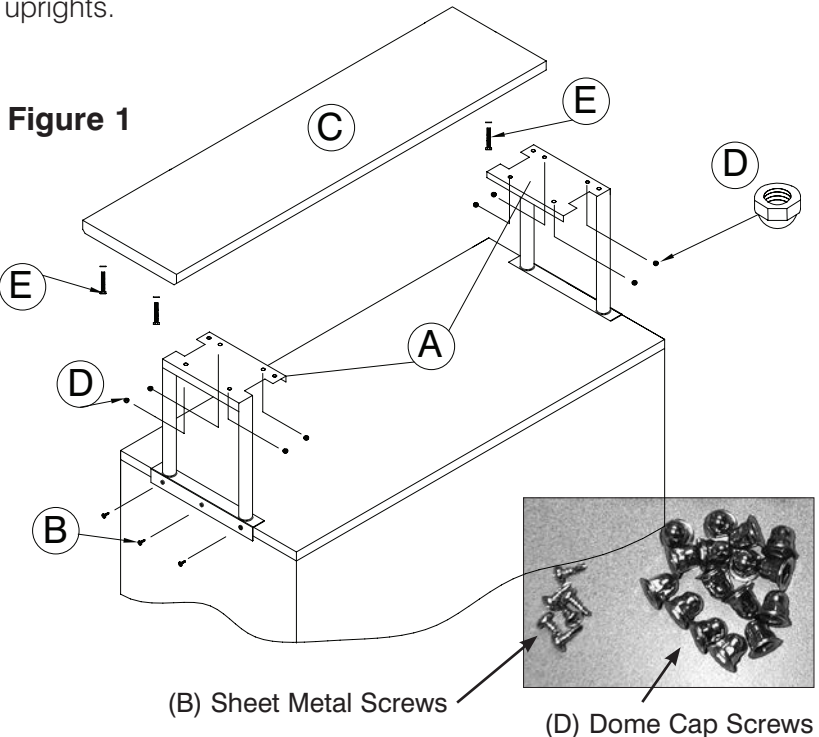
- (6) Sheet Metal Screws
- (8) Dome Cap Nuts

Tools Required:

- Philip's Head Screw Driver
- Pliers

STEP 1: Remove the existing Sheet Metal Screws from the Hot Food Table sides, then place the sides in the center of your hot food table. Use the existing Sheet Metal Screws **(B)** to then attach the over shelf in the existing holes. **See Figure 1.**

STEP 2: Place the stainless shelf **(C)** onto the top of the uprights lining up the studs through the holes on the upright assembly. Using the Dome Cap Screws **(D)** secure the stainless shelf **(C)** to the uprights.



Edgewood, New York 11717-8380

©ADVANCE TABCO JULY 2016

For Further Assistance
Contact Customer Service at:
800-645-3166
or
customer@advancetabco.com