

LIEBHERR

Use and Care Manual

For NoFrost Combined
Refrigerator-Freezers with IceMaker

Manuel d'utilisation et d'entretien

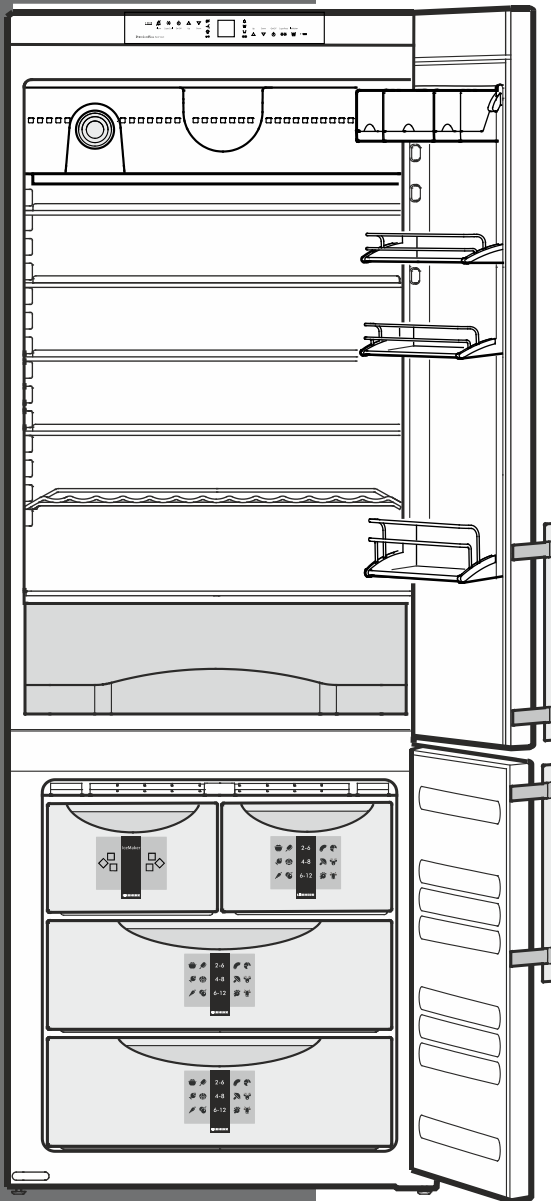
Pour les combinés
réfrigérateur-congélateur
NoFrost avec IceMaker

Page 27

Instrucciones de manejo y de mantenimiento

Para combinados
frigorífico-congelador
NoFrost con IceMaker

Página 53



CS 1660
7082 479-00

Congratulations on your purchase. Choosing this appliance means you want all the benefits of state-of-the-art refrigeration technology, guaranteeing you top quality, a long appliance life span and excellent reliability.

The features on your appliance have been designed to ensure maximum convenience - day in, day out.

This appliance has been manufactured with recyclable materials using an environmentally friendly process, so together we're making an active contribution to the preservation of our environment.

To get to know all the benefits of your new appliance, please read the information contained in these operating instructions carefully.

We know you will be pleased with your new appliance.

Additional benefits

- CFC-free
- Energy-optimized refrigerant circuit
- Energy-efficient insulation
- Low energy consumption

- User-friendly electronic controls
- Display of functions switched on
- Temperature can be controlled within climate rating range, regardless of room temperature
- Refrigerator and freezer compartments defrost automatically - no need to spend time defrosting

- Big net refrigerator capacity
- Variable and practical features
- Safety-glass storage shelves
- Big net freezer capacity
- Automatic ice maker
- Water filter for good water quality ice production

- Freezer temperature increase alarm
- Audible door open alarm
- Power failure/"frost-control" display
- Fresh food can be fast-frozen as required
- All drawers suitable for fast freezing

- Integrated transport grips on appliance housing
- Transport castors

- Easy to clean

- This unit is certified as Sabbath compliant by the Star-K organization thus allowing the appliance to be used during religious holidays. For more information please visit Star-K on the web at www.star-k.org.

TABLE OF CONTENTS

Contents	Page
Safety	4
Disposal of old appliance.....	4
Electrical safety	4
Important safety information	5
Safety regulations	6
Disposal of carton.....	6
Water filter	7
Water filter.....	7
Installing the water filter.....	7
Removing the water filter.....	7
Features	8
Description of appliance and equipment	8
Operating and control elements	9
Operation.....	10
Turning the appliance on and off.....	10
Setting the temperature	10
Temperature display.....	11
Ventilation.....	11
Audible alarm signal	11
Power failure/Frost-control display.....	11
SuperCool	12
Setup mode.....	13 - 15
Refrigerator compartment.....	16
Arranging food.....	16
Equipment.....	16
Interior light	18
Freezer compartment.....	18
Freezing	18
Information system	18
Freezing with SuperFrost.....	19
Freezing and storage.....	19
Ice Maker	20
Safety instructions and warnings.....	20
To start the ice maker	20
Ice maker at vacations.....	21
Cleaning	22
Defrosting/Vacation	23
Defrosting.....	23
Vacation tips.....	23
Troubleshooting.....	24
Ice maker troubleshooting	25
Customer service.....	25
Appliance information	25
Liebherr Warranty Plan	26

IMPORTANT

All types and models are subject to continuous improvement. The manufacturer reserves the right to make modifications in the shape, equipment and technology.

SAFETY

Please read and follow these instructions

These instructions contain Warning and Caution statements. This information is important for safe and efficient installation and operation.

Always read and follow all Warning and Caution statements!

DANGER

Danger indicates a hazard which will cause serious injury or death if precautions are not followed.

WARNING

Warning indicates a potentially hazardous situation which, if not avoided, could result in death or serious injury.

CAUTION

Caution indicates a potentially hazardous situation which, if not avoided, may result in minor or moderate injury.

IMPORTANT

This highlights information that is especially relevant to a problem-free installation and operation.

Make sure incoming voltage is the same as the appliance rating.

To reduce the risk of fire, electric shock, or personal injury, installation work and electrical wiring must be done by a qualified electrician in accordance with all applicable codes and standards, including fire-rated construction.

Disposal of Old Appliance

DANGER

Risk of child entrapment. Before you discard your old refrigerator or freezer:

- Be sure to follow your local requirements for disposal of appliances. Discarded appliances can be dangerous.
- Remove the doors.
- Remove the freezer drawers.
- Leave the shelves in place so that children may not easily climb inside.
- Cut off the power cable from the discarded refrigerator. Discard separately from the refrigerator.

Following these instructions reduces the possibility of causing personal injury, especially to children playing.

Contact the trash collection agency in your area for additional information.

Electrical Safety

Connect this appliance to a 110-120 VAC, 15 amp circuit that is controlled by a circuit breaker or fuse. This appliance should have its own separate grounded circuit. Do not use an extension cord.

The power cord is equipped with a three-prong (grounding) plug for your protection against possible shock hazards. To maintain this protection:

- Do not modify the plug by removing the round grounding prong.
- Do not use a two-prong adapter. Where a two-prong wall receptacle is encountered, contact a qualified electrician and have it replaced with a three-prong receptacle in accordance with all local codes and ordinances.
- Do not use a power cord that is frayed or damaged.

Important Safety Information

This appliance is intended for domestic use only. Use the appliance only for its intended purpose, the storage of food products. Follow the cautions and safety warnings throughout this instruction manual including the following:

- To prevent injury to you or damage to the unit, the appliance should be unpacked and set up by two people.
- If the appliance is damaged on delivery, contact the supplier immediately before connecting to the power source.
- To guarantee safe operation, ensure that the appliance is set up and connected as described in these operating instructions.
- Disconnect the appliance from the power source if a fault occurs. Pull out the plug, turn off or remove the fuse.
- When disconnecting the appliance, use the plug. Do not pull on the cable.
- Any repairs and work on the appliance should only be carried out by the customer service department. Unauthorized work may be dangerous to the user. Changing the power source cable should only be done by the customer service department.
- Do not eat ice cream, particularly ice cream treats, or ice cubes, immediately from the freezer compartment. There is a risk of “burning” because of the very cold temperatures.
- Do not consume food which has been stored for too long; it could cause food poisoning.
- The appliance is designed for cooling, freezing and storage of food, and for making ice. It is intended for domestic use.
- Do not store explosives or sprays using combustible propellants such as butane, propane, pentane, etc. in the appliance. Electrical components might cause leaking gas to ignite. You may identify such sprays by the printed contents or a flame symbol.
- Do not use electrical appliances inside the appliance.
- Do not allow children to play with the appliance. Children must not climb, sit or stand on the shelves, drawers or door.
- To prevent possible injury due to an electrical shock, be sure to disconnect the power cord or turn off the circuit breaker before cleaning the appliance.
- To avoid injury or damage to the appliance, do not use steam cleaning equipment to clean the appliance.
- Do not operate the appliance in the presence of explosive fumes.
- In the event of a power outage, minimize opening the appliance door(s). Protect the food either by placing dry ice on top of the packages or using a local frozen food locker if the power failure is of a long duration. Do not attempt to re-freeze any previously frozen food that has thawed.
- To avoid possible injury, only adjust an empty shelf. Do not attempt to adjust a shelf with food on it.
- To protect the appliance from possible damage, allow the appliance to stand 1/2 to 1 hour in place before turning the electricity on. This allows the refrigerant and system lubrication to reach equilibrium.

SAFETY

Safety Regulations

The appliance complies with UL 250 / CSA C22.2 #63 and is designed to cool, freeze and store food and to make ice (if equipped). It is designed as a household appliance.

The appliance is set to operate within specific ambient temperature limits according to its climate rating. These temperature limits should not be exceeded. The correct climate rating for your appliance is indicated on the model plate.

This is explained as follows:

Climate Rating	Set for Ambient Temperatures of
SN	50°F to 90°F (10°C to 32°C)
N	61°F to 90°F (16°C to 32°C)
ST	61°F to 100°F (16°C to 38°C)
SN-ST	50°F to 100°F (10°C to 38°C)
SN-T	50°F to 109°F (10°C to 43°C)
T	61°F to 109°F (16°C to 43°C)

We recommend cleaning the appliance before turning it on for the first time. See **Cleaning**. Turn on the appliance several hours before loading it with frozen food for the first time. Do not load with frozen food until the temperature shows approximately 0°F (-18°C).

WARNING

Do not allow children to play with the appliance. Children must not climb, sit or stand on the appliance drawers. Failure to follow these instructions may result in death or serious injury.

CAUTION

To avoid risk of personal injury or property damage, have two people unpack and move this appliance into place.

CAUTION

Protect the finished floor surface before you uncrate the unit.

Avoid placing the appliance in direct sunlight or near the stove, range top, radiators and similar heat sources. Do not place microwave ovens, toaster ovens or other heat-emitting appliances on top of this unit.

The floor under the appliance should be flat and level.

Keep the appliance out of the weather. The ventilation grilles should not be obstructed. Always ensure there is good ventilation all around the appliance.

As soon as you uncrate the unit:

- Examine the unit and packaging for shipping damage. Contact the carrier immediately if you suspect there is any damage.
- Note the type (model number), index, serial number, date of purchase and where purchased on the spaces provided in the back of this manual.

Disposal of Carton

The packaging is designed to protect the appliance and individual components during moving and is made of recyclable materials.

WARNING

Keep packaging materials away from children. Polythene sheets and bags can cause suffocation!

- Please take the packaging material to your local recycling facility.

WATER FILTER

Water Filter - Figure 1

Before turning on the appliance install the water filter provided in the interior rear wall of the refrigerator compartment. This ensures good ice cube quality and keeps the water circuit free of solids such as sand.

The appliance can also be operated without water filter. We recommend the operation with water filter to ensure the best water quality.

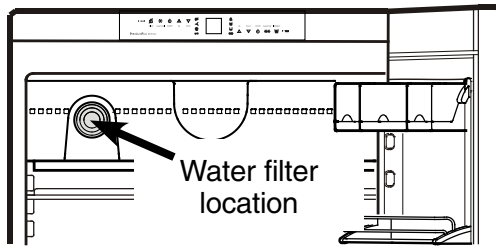
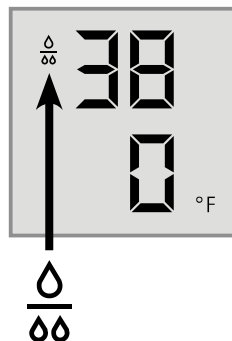


Figure 1

Replace the filter when the drop symbol appears on the temperature display.

Filters can be obtained from your Liebherr Dealer or Distributor.



WARNING

To avoid the risk of bacteria growth, the water filter must be changed when the waterdrop symbol appears on the display!

IMPORTANT NOTE

It is not necessary to turn off the water supply when removing or installing the water filter.

Installing the Water Filter - Figure 2 and Figure 3

1. Remove cover of the filter socket.

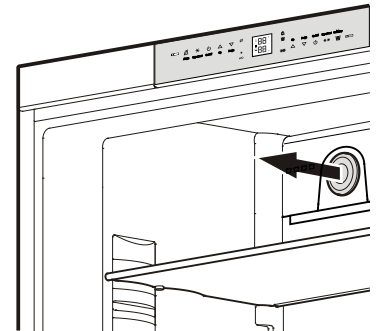


Figure 2

2. Insert the filter and turn it 90° clockwise.

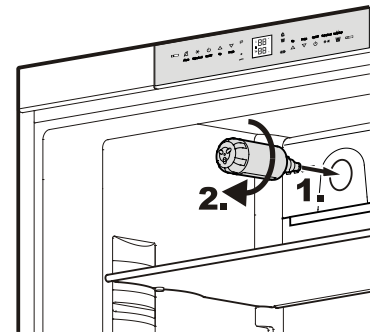


Figure 3

Removing the Water Filter - Figure 4

3. Turn the filter 90° counterclockwise and remove.

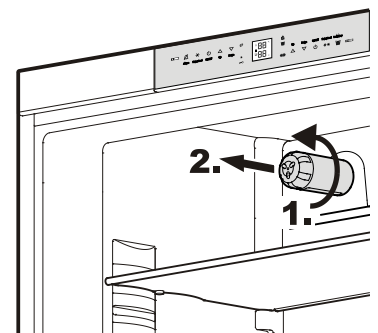
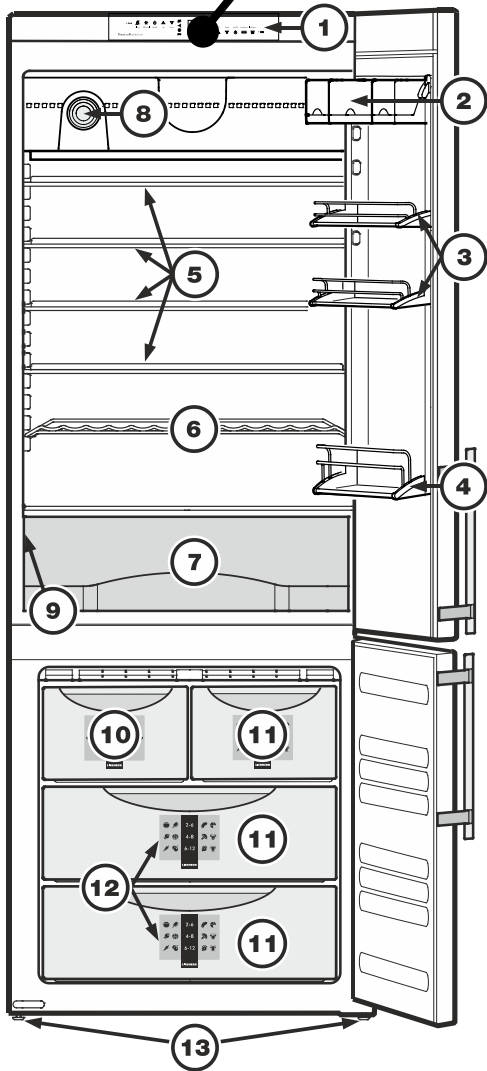
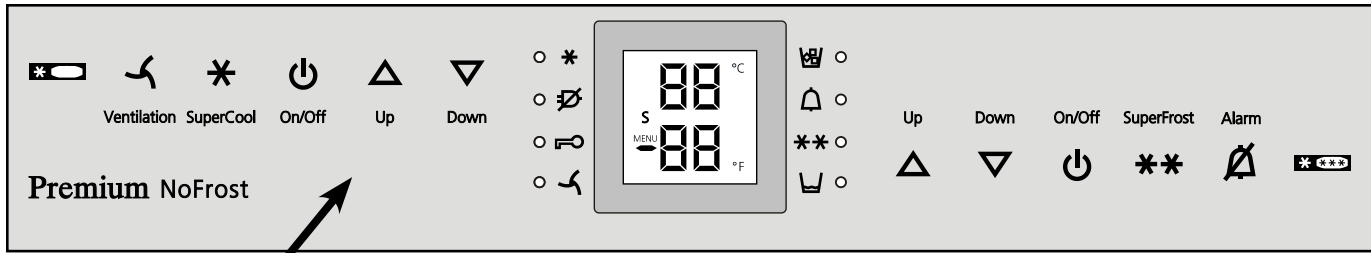


Figure 4

FEATURES

Description of Appliance and Equipment - Figure 5



Description of refrigerator

- (1) Operating and control elements
- (2) Butter and cheese compartment - Vario Box
- (3) Adjustable door racks
- (4) Gallon rack
- (5) Adjustable shelves
- (6) Bottle grid
- (7) Vegetable drawer
- (8) Water filter
- (9) Model plate (behind the vegetable drawer on the left hand side)


Description of freezer

- (10) Ice maker (in the interior of the drawer)
- (11) Freezer drawers
- (12) Information system
- (13) Adjustable-height feet

Figure 5

Operating and Control Elements - Figure 6, Figure 7

The electronic control panel has the “*Touch capacitance technology*”. Any function can be activated by a fingertip on the symbol of the operating icons.

The exact contact point is between the symbol and its label 

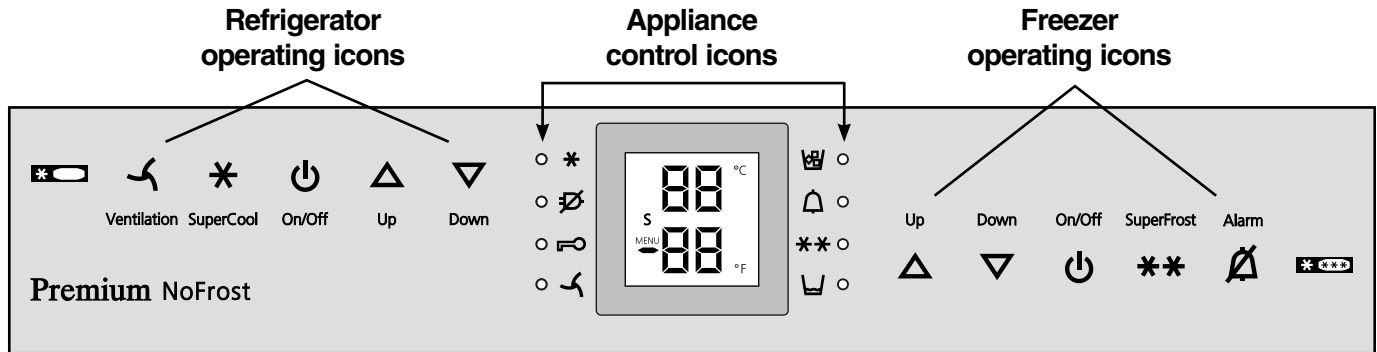


Figure 6

Refrigerator operating icons	Appliance control icons	Freezer operating icons
Ventilation (circulation) On/Off	Power failure LED	Temperature Up control (to increase the freezer temperature)
SuperCool	SuperCool LED	Temperature Down control (to reduce the freezer temperature)
Refrigerator On/Off	Child lock LED	Freezer On/Off
Temperature Up control (to increase the refrigerator temperature)	Alarm LED	SuperFrost
Temperature Down control (to reduce the refrigerator temperature)	Ice maker ON LED	Alarm mute (refrigerator and freezer)
	SuperFrost LED	
	Ventilation ON LED	

Temperature and control display

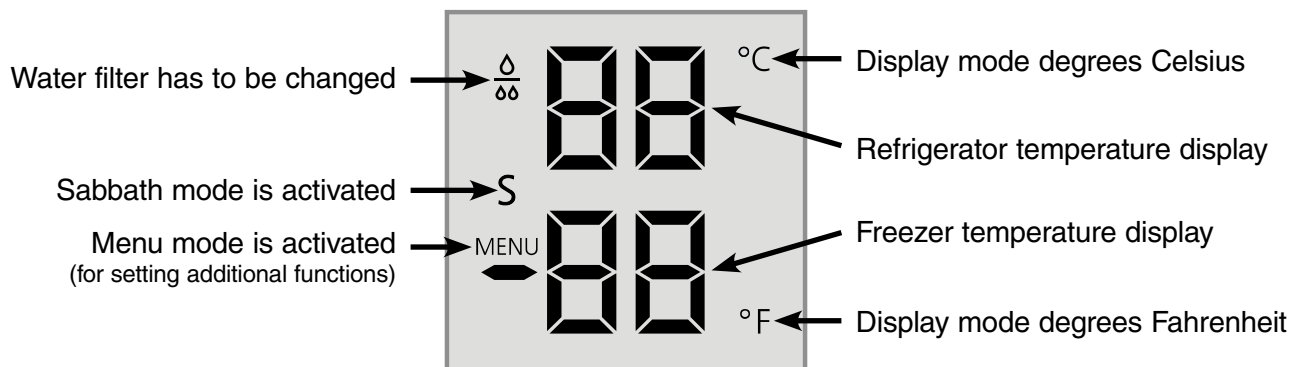


Figure 7

OPERATION

Turning the Appliance On and Off - Figure 8

Clean the appliance before turning it on for the first time. See **Cleaning**.

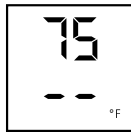
Do not place frozen food in the freezer until the temperature shows at least 0°F / -18°C. The refrigerator and freezer compartments can be operated separately.

1. Turning on:

Touch the Refrigerator On/Off icon

and the Freezer On/Off icon

so the temperature displays light up.



The interior light will turn on when the refrigerator door is open.

2. **Turning off:** to turn off the refrigerator or freezer, touch the corresponding On/Off icon for approximately 3 seconds so the temperature display and interior lights go out.

Setting the Temperature - Figure 8

The appliance is pre-set for normal operation. We recommend temperatures of 38°F (3°C) in the refrigerator and 0°F (-18°C) in the freezer.

To reduce the temperature:

Touch the DOWN icon on the left to reduce the refrigerator temperature and the DOWN icon on the right to reduce the freezer temperature.

To increase the temperature:

Touch the UP icon on the left to increase the refrigerator temperature and on the right to increase the freezer temperature.

1. While you are entering the temperature, **the set temperature will flash** on the display.
2. When you touch the temperature setting icons for the first time, the most recent setting is displayed.
3. You can change the settings in increments of 1°F (1°C) by briefly touching the icons again. If the icons are held, the temperature setting will change faster.
4. Approximately five seconds after the icon has been released, the display will automatically show the actual freezing or cooling temperature.
5. You can change the temperatures:
 - **In the refrigerator** – between 36°F and 44°F (2°C and 7°C) and
 - **In the freezer** – between -15°F and 6°F (-26°C and -14°C).

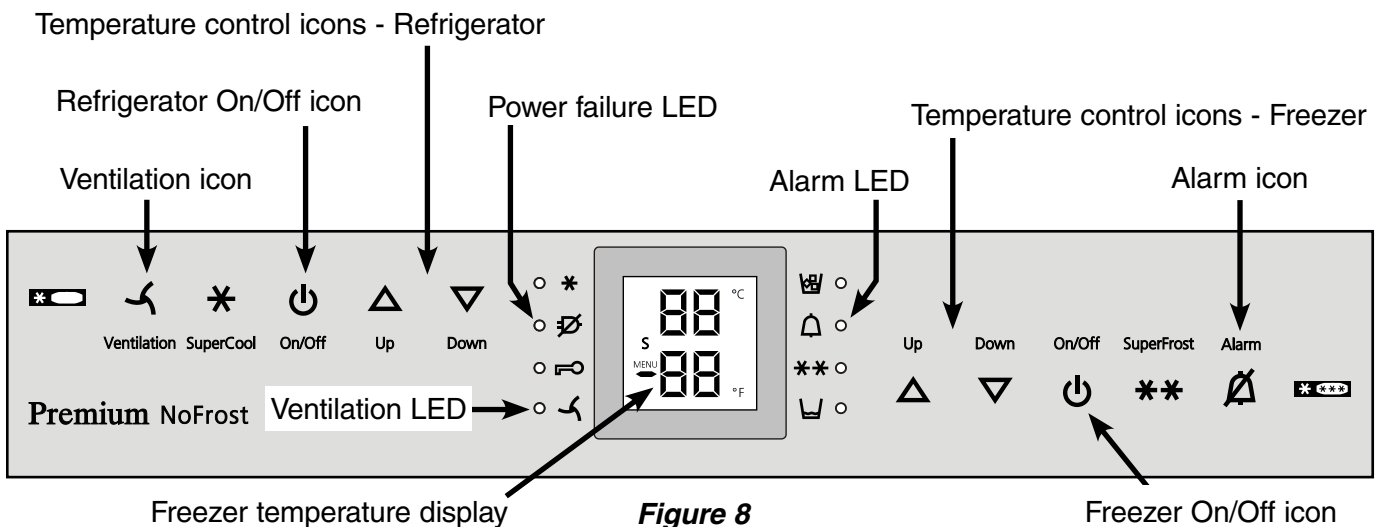


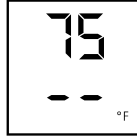
Figure 8

Temperature Display - Figure 8

In normal operation, the following settings will be displayed:

- the average refrigerator temperature
- the warmest frozen food temperature.

When starting up for the first time or when the appliance is warm, dashes will appear in the freezer temperature display, until the temperature in the freezer compartment is 32°F (0°C).



The display will flash:

- if you change the temperature or
- if the temperature rises by several degrees, indicating cold loss, e.g. if you place fresh, “warm” food in the freezer or if you remove or repack frozen food, the temperature may rise for a short time due to warm air flowing into the freezer.
- If “F1” to “F5” appears in the display, the appliance has a fault. Have the fault number available when you contact the customer service department.

Ventilation - Figure 8

The Ventilation switch is used for re-circulated cool air:


You can use the switch as required to:

- chill large quantities of fresh food fast.
- keep the temperature evenly distributed throughout the entire refrigerator compartment. The air will circulate more intensively, keeping all the different areas in the compartment at the same temperature and ensuring all the food inside is chilled at the same temperature.

We recommended you use the ventilation fan if:

- room temperatures are too high (approximately 95°F [35°C] or higher).
- the air humidity is high, during high heat and humidity.

Turning on: touch the Ventilation icon briefly so the LED  turns on.

Turning off: touch the Ventilation icon again until the LED  turns off.

Audible Alarm Signal - Figure 8


The audible alarm signal helps to protect frozen food and to save energy.

The audible alarm signal is switched off by touching the alarm icon.

Audible door alarm

This sounds when the door has been left open for longer than about 180 seconds. The sound switch-off function is active as long as the door is left open. The alarm automatically switches back to standby when the door is shut.

Audible/visual temperature alarm


It always sounds if the freezer temperature is not low enough. The *temperature display and the alarm LED*  *flash* at the same time.

This can be caused by:

- warm, fresh food being placed in the freezer;
- too much warm air from the outside entering when re-arranging or removing frozen food,
- a fault in the appliance.

The temperature display will continue to *flash* until the cause of the alarm has been rectified. It will then stop flashing and light up continually. The audible warning signal is now automatically *reset*.

Power Failure/FrostControl Display - Figure 8

If the power failure LED  is lit, this means the freezer temperature has risen too **high** during the last few hours or days due to a power failure. The freezer temperature display flashes at the same time.

- If you touch the **Alarm** icon now, the highest temperature registered during the power failure will be displayed.
- Check the quality of the food in case it has become too warm or even defrosted.
- The highest temperature will appear for approximately one minute. After that, the actual temperature in the freezer will reappear.

The display can be turned off by touching the **Alarm** icon again.

OPERATION

SuperCool - Figure 9

Touching the SuperCool icon switches the refrigerator compartment to maximum cooling. It is recommended particularly if you wish to cool large quantities of food, drinks, freshly baked goods or meals rapidly.

- **Turning on:** touch the SuperCool icon briefly so the LED ✱ turns on. The refrigerator temperature will drop to its lowest value.

IMPORTANT

The SuperCool function uses slightly more energy. After approximately six hours, however, the refrigerator switches back automatically to normal energy-saving operation. If required, the SuperCool function can be turned off sooner.

- **Turning off:** touch the SuperCool icon again until the LED ✱ turns off.

Setup Mode - Figure 9

In the setup mode, you can activate the following functions:

- ☰ = Sabbath mode
- h = Display brightness
- = Temperature display mode
- E = Water quantity for Ice cube tray
- | = Ice maker vacation state
- F = Drop symbol reset
- ⊞ = Child lock

How to activate the setup mode:

- Touch the **SuperFrost** icon for approximately five seconds
 - the **SuperFrost LED ✱✱** turns on for 5 seconds
 - after 5 seconds ⊞ will flash in the display.

The appliance is in the setup mode now.

You can select the setup mode functions by touching the freezer compartment **Up/Down** icons.

Note

In the setup mode the display will flash continuously.

Exit setup mode:

- Touch the freezer compartment **On/Off** icon. The appliance will change back to normal operation.

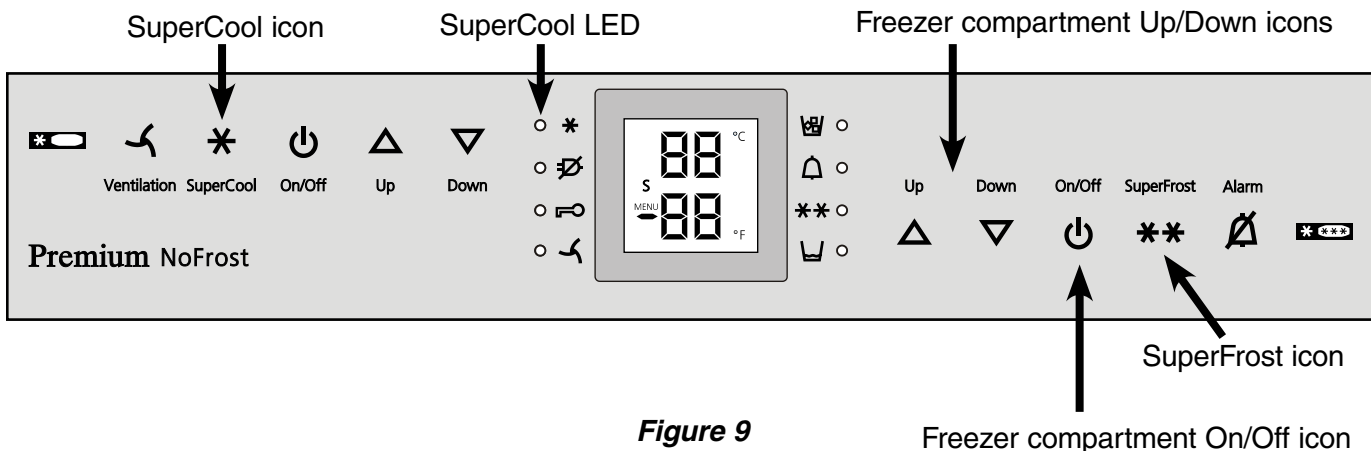


Figure 9

Freezer compartment On/Off icon

⌘ = Sabbath mode

This feature considers the Religious requirements on Sabbath or Holidays. When the Sabbath mode is active some functions of the electronic controls are switched off.

The door can be opened and closed at any time.


- The lighting remains off.
- The cooling fan remains in its actual state: If it is on it remains on, if it is off it remains off.
- There is no door alarm.
- There is no temperature alarm.
- Defrost cycles are independent of the number of times and length of door openings.
- The unit will return into Sabbath Mode after a power failure.

How to activate the Sabbath mode


- Activate the setup mode by touching the **SuperFrost** icon for 5 seconds.

- The display shows ⌘.

- Touch the **SuperFrost** icon

- the display shows 

- Touch the **SuperFrost** icon again

- the display shows 

- the Sabbath mode is activated.

- Exit setup mode by touching the freezer compartment **On/Off** icon.


Sabbath mode switches off automatically after 120 hours if it is not manually switched off beforehand.

How to deactivate the Sabbath mode

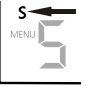
- Activate the setup mode by touching the **SuperFrost** icon for 5 seconds.

- The display shows ⌘.

- Touch the **SuperFrost** icon

- the display shows 


- Touch the **SuperFrost** icon again

- the ⌘ symbol  in the display disappears, the Sabbath mode is deactivated.

- Exit setup mode by touching the freezer compartment **On/Off** icon.

h = Display brightness

How to adjust the display brightness

- Activate the setup mode by touching the **SuperFrost** icon for 5 seconds.
- Touch the **freezer compartment Down** icon until **h** appears in the freezer temperature display.
- Touch the **SuperFrost** icon
- the display shows 
- Touch **freezer compartment Up/Down** icons to select
h 0 = minimum to
h 5 = maximum brightness
- Touch the **SuperFrost** icon at the desired value.
- Exit setup mode by touching the freezer compartment **On/Off** icon.

OPERATION

Setup Mode - Figure 10


□ = Temperature display mode

You can choose the **unit of temperature** for the display in degrees Fahrenheit or degrees Celsius.

Note

The factory setting is degrees Fahrenheit.

How to change the temperature display to degrees Celsius

- Activate the setup mode by touching the **SuperFrost** icon for 5 seconds.
- Touch the **freezer compartment Down** icon until □ appears in the freezer temperature display.
- Touch the **SuperFrost** icon
 - the display shows 
- Touch the **SuperFrost** icon again
 - the temperature reading is now displayed in degree Celsius.
- Exit setup mode by touching the freezer compartment **On/Off** icon.


Note

To change the temperature display back to degrees Fahrenheit, follow the steps above.

E = Water quantity for Ice cube tray

If the produced ice cubes of the ice maker are too small, the inflowing water quantity can be adjusted.

How to adjust the water quantity

- Activate the setup mode by touching the **SuperFrost** icon for 5 seconds.
- Touch the **freezer compartment Down** icon until E appears in the freezer temperature display.
- Touch the **SuperFrost** icon
 - the display shows 
- Touch **freezer compartment Up** icon once only so E 4 appears in the display.

CAUTION

Do not increase for more than one step. If the adjusted value is too high the ice cube tray of the ice maker could overflow.

- Touch the **SuperFrost** icon again.
- Exit setup mode by touching the freezer compartment **On/Off** icon.

Check the ice cube size within the next days. If the ice cubes are still smaller as desired, follow the steps above again.

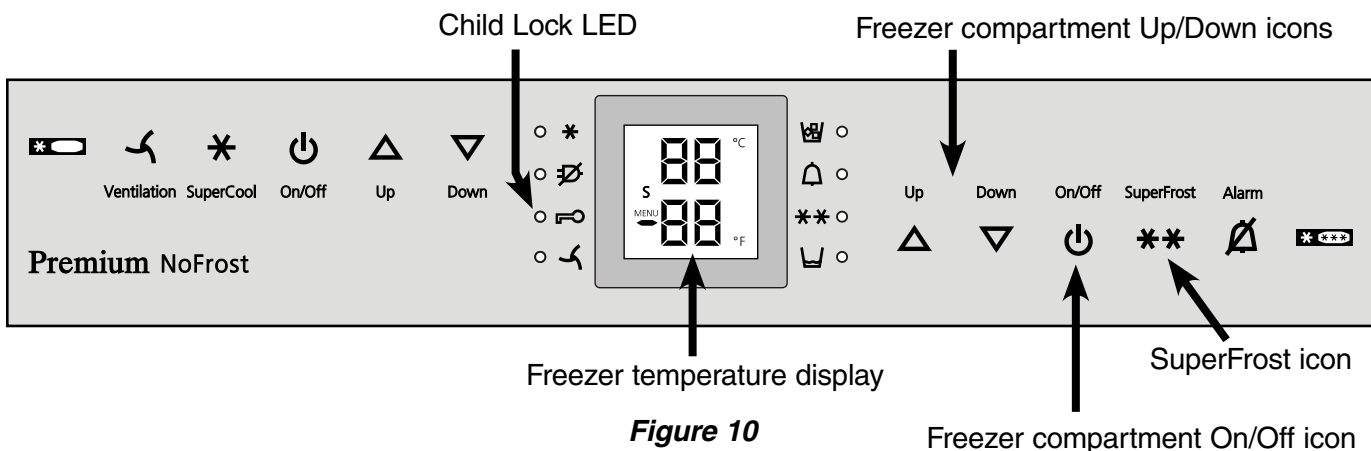


Figure 10

⏸ = Ice maker vacation state



Refer to chapter "Ice Maker" for explanation.

F = Drop symbol reset

After the Water filter has been changed the drop symbol on the display must be reset.





How to reset the drop symbol

- Activate the setup mode by touching the **SuperFrost** icon for 5 seconds.
- Touch the **freezer compartment Down** icon until F appears in the freezer temperature display.
- Touch the **SuperFrost** icon
- the display shows 
- Touch the **SuperFrost** icon again
- the display shows 
- The drop symbol disappears.
- Exit setup mode by touching the freezer compartment **On/Off** icon.


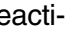
⏸ = Child lock

The child lock is designed to protect the appliance from being turned off accidentally.

How to activate the child lock

- Activate the setup mode by touching the **SuperFrost** icon for 5 seconds.
- Touch the **freezer compartment Down** icon until ⏸ appears in the freezer temperature display.
- Touch the **SuperFrost** icon
- the display shows 
- Touch the **SuperFrost** icon again
- the LED  is lit and the child lock is activated.
- Exit setup mode by touching the freezer compartment **On/Off** icon.

How to deactivate the child lock

- Activate the setup mode by touching the **SuperFrost** icon for 5 seconds.
- Touch the **freezer compartment Down** icon until ⏸ appears in the freezer temperature display.
- Touch the **SuperFrost** icon
- the display shows 
- Touch the **SuperFrost** icon again
- the LED  goes out. The child lock is deactivated.
- Exit setup mode by touching the freezer compartment **On/Off** icon.

REFRIGERATOR COMPARTMENT

Arranging Food - Figure 11

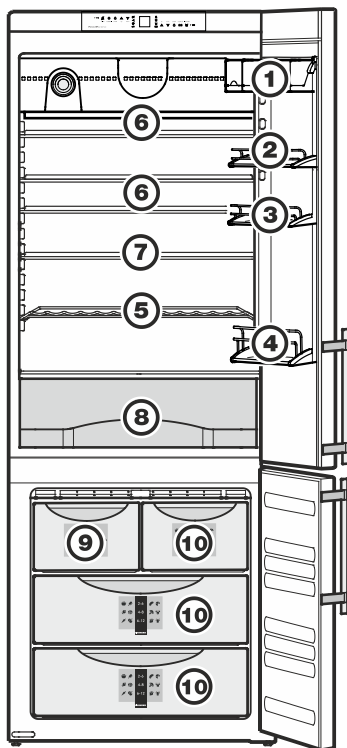


Figure 11

- (1) Butter, cheese
- (2) Eggs
- (3) Cans, drinks
- (4) Gallon containers
- (5) Bottles
- (6) Meat and sausage products, dairy products
- (7) Baked goods, pre-cooked meals
- (8) Fruit, vegetables, salad
- (9) Ice cubes
- (10) Frozen food

IMPORTANT

- Liquids and food which give off or absorb odors and flavors should always be stored covered or in closed containers.
- High-percentage alcohols should be tightly sealed and stored upright.
- Fruit, vegetables and salad can be stored unpacked in the bin (8).

Equipment



WARNING

To avoid possible injury, only adjust an empty shelf or door rack. Do not attempt to adjust a shelf or door rack with food on it.

You can rearrange the height of the shelves and door racks as required.

Repositioning the door racks - Figure 12

Slide the door rack up, pull out toward you and replace in reverse order.

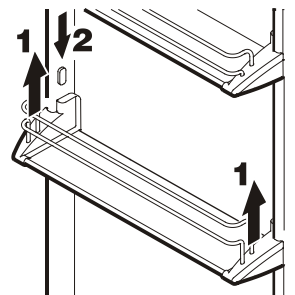


Figure 12

Vario Box - Figure 13

The boxes can be removed and placed on the table as a single unit.

Re-positioning the boxes: Lift them for removal and re-position them as required.

The box support bar can be removed by lifting upwards and inserted in another position (e.g. swapped with a door rack).



Figure 13

Important! Box lids must be shut when you close the door - risk of damage.

Bottle grid - Figure 14

The bottle grid serves as an additional storage surface for cooling drinks.

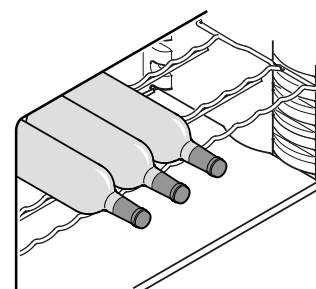


Figure 14

REFRIGERATOR COMPARTMENT

Repositioning the shelves - *Figure 15*

1. Hold the shelf underneath with your hand to avoid from tipping down backwards when removing.
2. Lift the shelf at the front.
3. Remove the shelf forward until the circular cutout of the shelf is in line with the interior light cover.
4. Lift the shelf up or down and replace in the desired position.

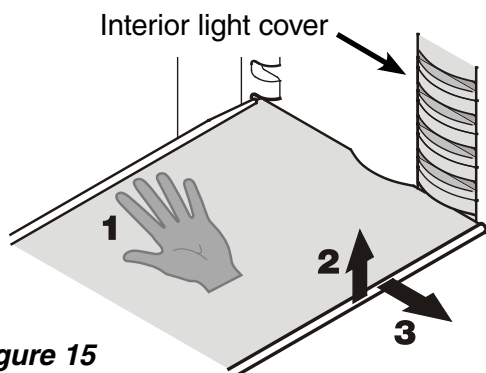


Figure 15

Removing the shelves - *Figure 16*

1. Follow the first three steps in the chapter above.
2. Lift the shelf down and stop just over the upper vegetable bin.
3. Move the front of the shelf upwards until the shelf is in a vertical position.
4. Turn the shelf counterclockwise and remove.



WARNING

To avoid it falling down, always hold the shelf with both hands when removing.

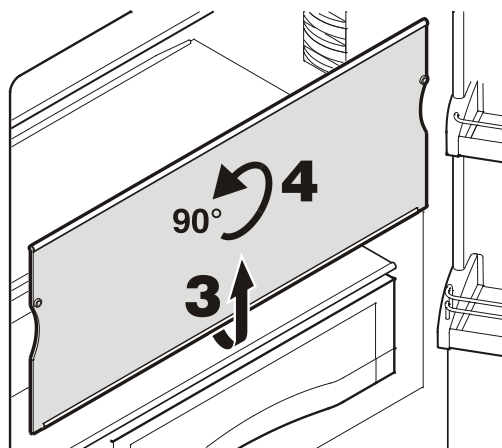


Figure 16

If you need space for large bottles and containers.

Place the shelf rails provided on the supports on the left and right at the desired height - *Figure 17*.

Insert the glass shelves as shown in fig. 18. The glass shelf with the raised edge must go at the back.

If you need to make space for tall containers, simply slide the front half of the sectioned glass shelf carefully underneath the back half - *Figure 18*.

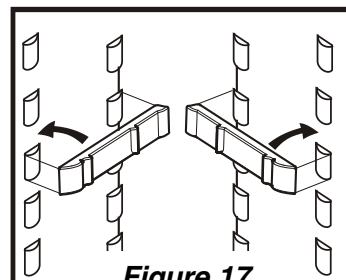


Figure 17

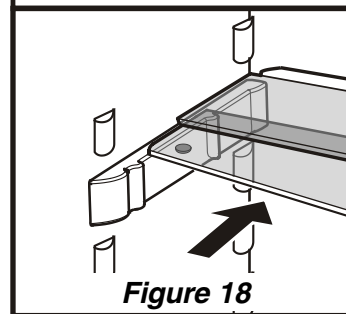


Figure 18

To remove the vegetable drawer

Pull the drawer straight out, grip at the back and lift out - *Figure 19*.

To install the vegetable drawer

Place the drawer on the rails. The rails must be fully extended and aligned with the front of the drawer. Slide the drawer in.

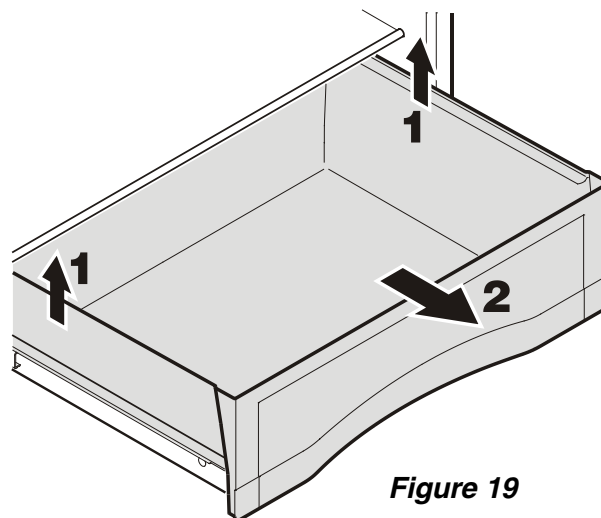


Figure 19

Interior Light

The interior light is located at the left and right in the refrigerator compartment (**Figure 20**). It turns on if the refrigerator door is opened.

Furthermore a lightbar is integrated in the bottom of the refrigerator door. This turns on if the freezer door is opened to illuminate the freezer compartment.

⚠ WARNING

The interior light emits class 1M laser radiation. DO NOT look directly at light or through any optical instruments when the light cover is removed. Severe eye injury can occur.

The light turns off automatically if one of the doors has been opened for approximately 15 minutes. The audible alarm sounds at the same time.

If one light is not lit, it is defective.

⚠ WARNING

**The interior light may only be replaced by the customer service technician or by competent skilled personnel!
Do not try to change the defective lighting yourself!**

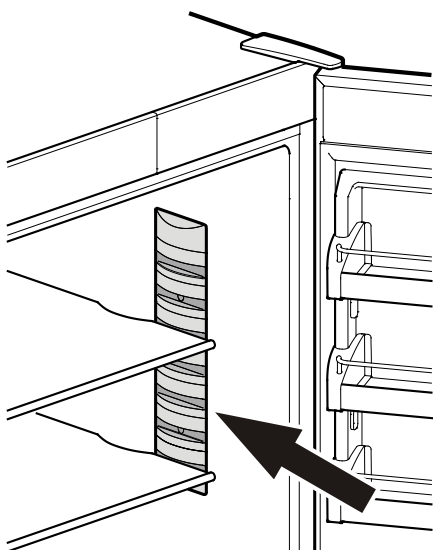


Figure 20

Freezing

Fresh food should be frozen completely and as rapidly as possible. This is provided by the SuperFrost feature and ensures that the nutritional value, appearance and flavor of the food remains intact.

Information System - Figure 21

Use frozen food within the recommended period. The numbers between the symbols indicate the storage period in months for different kinds of frozen foods. Storage times given are guidelines for food frozen at home. Whether or not the lower or upper value is applicable depends on the food quality and how it was processed prior to freezing. The lower values always apply to food with a high fat content.

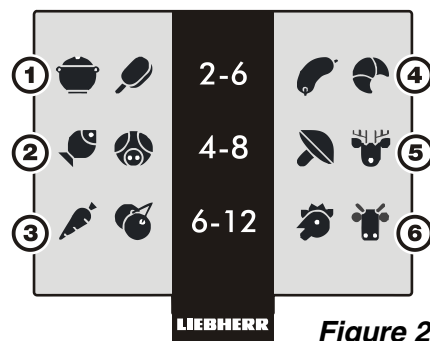


Figure 21

- (1) Pre-cooked meals, ice cream
- (2) Fish, pork
- (3) Vegetables, fruit
- (4) Sausages, bread
- (5) Mushrooms, game
- (6) Poultry, beef

FREEZER COMPARTMENT

Freezing with SuperFrost - Figure 22

- Touch the **SuperFrost** icon briefly so the LED ****** turns on.
- Wait 24 hours.
- Then place the fresh food inside the freezer.
- The SuperFrost function turns off automatically. Depending on the quantity of food placed in the freezer, this will normally be between 30 and maximum 65 hours.

The freezing process is now complete; the SuperFrost LED ****** will turn off, and the freezer will change back to normal energy-saving operation.

IMPORTANT

You should not turn on the SuperFrost function:

- when placing frozen food in the freezer;
- when freezing up to approximately 4-1/2 lbs (2 kg) fresh food daily.

Freezing and Storage

- Pack frozen food in standard freezer bags or reusable plastic, metal or aluminum containers.
- Do not allow fresh food which is to be frozen to come into contact with food already frozen. Always keep packages dry in order to avoid them sticking together.
- Always write the date and contents on the package and do not exceed the stated storage time for the food. This prevents spoiling.
- Pack food which you are freezing yourself in quantities right for your household. To ensure the food freezes right through quickly, the following quantities should not be exceeded per package:
 - fruit, vegetables: up to 2-1/4 lbs (1 kg);
 - meat: up to 5-1/2 lbs (2.5 kg).
- Do not freeze bottles and cans which contain carbonated drinks as they might burst. Drinks can be cooled down quickly, but take the bottles out of the freezer compartment after an hour at the most.
- Only take out as much food as needed for thawing. Cook food which has been thawed as quickly as possible. Frozen food can be thawed in the following ways:
 - in a microwave oven
 - in the refrigerator: the safer way to thaw food because there is less chance of bacteria growth. Use this method for high density food such as roasts or poultry.

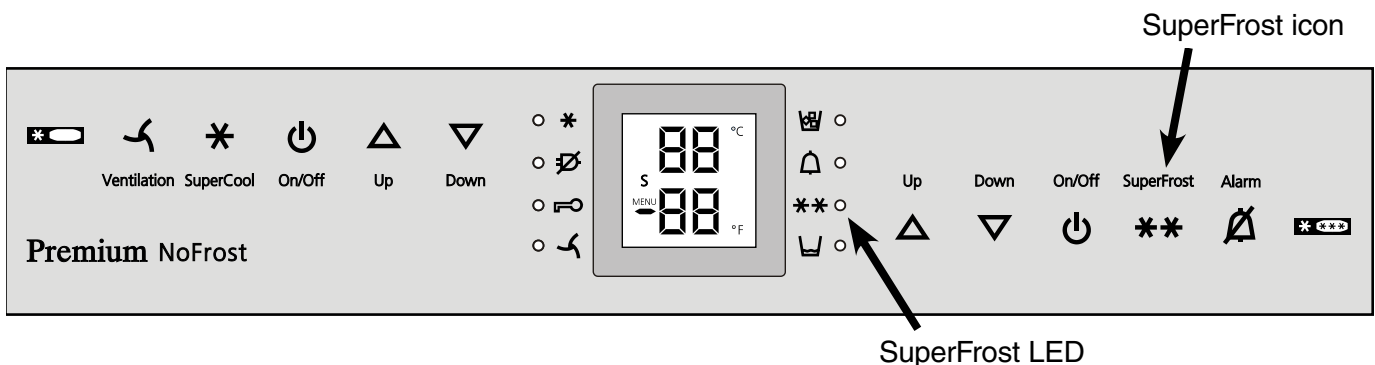


Figure 22

ICE MAKER

Safety Instructions and Warnings

- The ice maker is designed exclusively to make ice cubes in quantities needed by a household and may only be operated with water appropriate for this purpose.
- All repairs and work on the ice maker may only be done by customer service personnel or other appropriately trained personnel.
- **Do not consume or use the first three batches of ice. This applies both to using the appliance for the first time and also using it after it has not been used for a long period of time.**
- **The manufacturer cannot accept liability for damage caused by equipment or water lines between the solenoid valve and the water supply.**
- The ice maker will only work if the combined refrigerator-freezer is connected to the electrical outlet. It will only make ice cubes if the freezer compartment is operating.
- The ice maker is in the top left drawer in the freezer compartment of the combined refrigerator-freezer (**Figure 5**). The ice maker can only make ice cubes if the drawer is completely closed.

Bleeding the Ice Maker

IMPORTANT

To ensure a proper function of the Ice Maker the water pipe system must be purged of any air.

- Pull out the drawer.
- Press the “ON/OFF” button so the control lamp comes on (**Figure 23**).
- Press the button on the Ice Maker housing (**Figure 23**) for approx. 3 seconds. The LED above the button starts blinking.
- Press the button again briefly. The LED blinks faster.
- Close the drawer immediately.

The water intake of the appliance opens for 25 seconds and bleeds all air from the pipe system.

- After this the Ice Maker tray (**Figure 24**) must be emptied. Refer to chapter “Ice Maker at vacations”.
- Finally clean the drawer.

To Start the Ice Maker

To turn the ice maker on

- Pull out the drawer.
- Press the “ON/OFF” button so the control lamp comes on (**Figure 23**).
- Close the drawer.

After you start the ice maker for the first time it may take up to 24 hours before the first ice cubes are ready.

Note

The first three batches of ice must not be consumed or used.

The production capacity is 90 - 100 ice cubes in 24 hours at a temperature of 0°F inside the freezer compartment.

To have the maximum capacity of approx. 140 ice cubes in 24 hours, activate the SuperFrost function.

Be aware that this increases the energy consumption because the compressor will run constantly.

The ice cubes fall out of the ice maker into the drawer. When the ice reaches a certain level in the drawer, the appliance stops producing ice automatically. The ice maker will not fill the drawer to the top.

If you need a large quantity of ice you can change out the drawer to the right with the complete IceMaker drawer.

To turn the ice maker off

If you do not need any ice cubes, the ice maker can be turned off independently of the freezer compartment.

- Press the “ON/OFF” button for approximately 1 second so the control lamp goes out.

Note

If the ice maker is turned off, the empty drawer can also be used to freeze and store food.

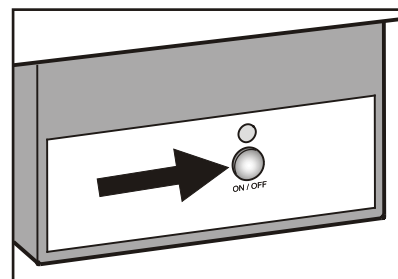


Figure 23

Ice Maker at Vacations

In case of longer vacations, the ice maker tray (arrow in **Figure 24**) should be emptied.

By setting the ice maker into the vacation state, the tray will rotate down and no water remains in the tray (**Figure 24**).

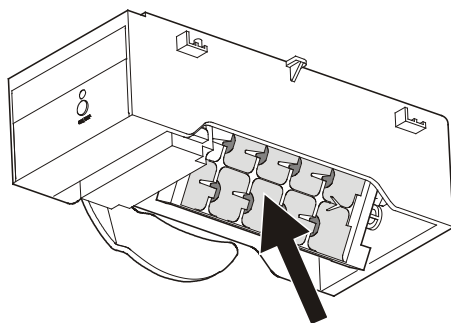


Figure 24


The freezer door must be left open, so the surface of the tray dries up and no mold or unpleasant odors can occur.


How to activate the Ice Maker Vacation State - Figure 25

Be sure the drawer is completely closed.


1. Activate the setup mode by touching the **SuperFrost** icon for 5 seconds.
2. Touch the **freezer compartment Down** icon until **!** appears in the freezer temperature display.

3. Touch the **SuperFrost** icon - the display shows 

or  depending on the ice maker is turned on or off.

4. Touch the **freezer compartment Down** icon - the display shows 

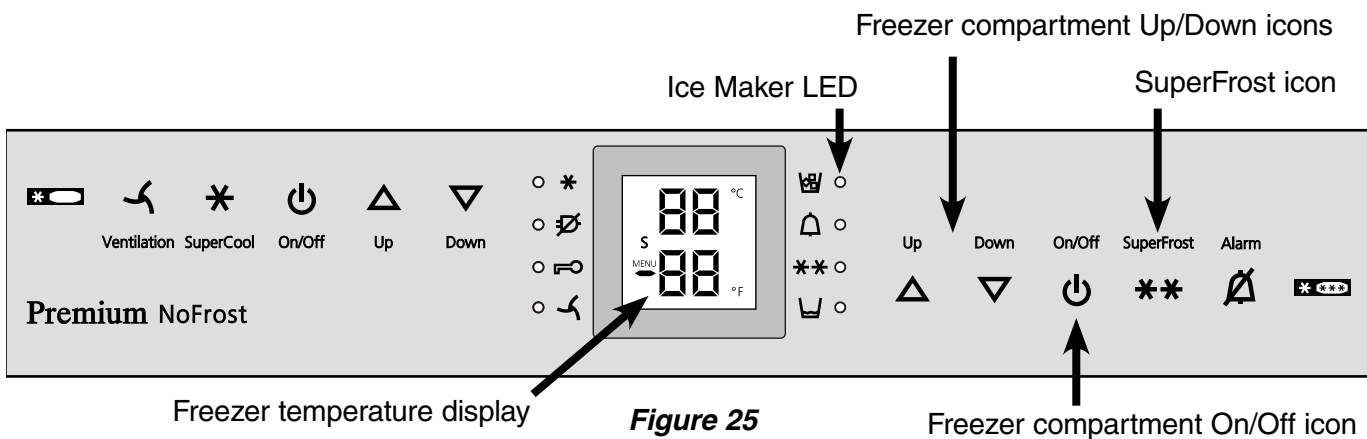
5. Touch the **SuperFrost** icon - the digit **!** flashes 

4. Touch the **freezer compartment Down** icon - the display shows 

5. Touch the **SuperFrost** icon - the digit **!** flashes 

The ice maker tray rotates down.

When the interior temperature appears in the display, the tray is in the down position (**Figure 24**) and the ice maker is turned off automatically.



CLEANING

Cleaning



WARNING

- To prevent possible injury due to an electrical shock, be sure to disconnect the power cord or turn off the circuit breaker before cleaning the appliance.
- To avoid injury or damage, do not use steam cleaning equipment to clean the appliance.
- To avoid short-circuits, ensure no cleaning water penetrates into the electrical components when cleaning the appliance. Do not use a sponge or cloth that is overly wet.
- First clean the side panels with a conventional stainless steel cleaner. Subsequently, apply the enclosed stainless steel care product evenly onto the surfaces in the same direction in which they have been ground or polished.
- Only clean the door surfaces with a clean and soft cloth. If necessary, moisten the cloth (water + detergent). Alternatively, use a micro-fibre cloth.

Do not use abrasive or scouring sponges. **Do not** use concentrated cleaning agents. **NEVER** use abrasive or acid cleaners or chemical solvents.

- Remove all food from the refrigerator and freezer compartments and store in a cool place temporarily. Store frozen food in other freezers if available.
- Remove the door racks as shown in *Figure 12, 13*.
- Remove glass shelves as shown in *Figure 16*.
- Remove vegetable drawers.
- Clean the equipment parts by hand with lukewarm water and dishwasher detergent.



CAUTION

Do not clean the equipment parts in a dishwasher. Strips of these parts could get loose.

- Clean the refrigerator and freezer drawers' interior with lukewarm water and dishwasher detergent.
- Dry all parts well with a cloth.
- **Do not** damage or remove the model plate on the inside of the appliance. It is very important for servicing your appliance.

Defrosting

Refrigerator compartment:

The refrigerator compartment defrosts automatically. The water that forms on the rear wall drains into a reservoir at the back of the appliance and evaporates automatically through the compressor heat.

Freezer compartment:

The NoFrost system automatically defrosts the freezer compartment. Any moisture will collect on the evaporator and freeze. It will periodically defrost and evaporate.

Vacation Tips

Short vacations:

It is not necessary to turn off the refrigerator and freezer if you will be away for less than four weeks.

- Use all perishables.
- Freeze other items.
- Turn off the ice maker.
- Shut off the water supply to the ice maker.

Long vacations:

If you will be away for a month or more:

- Set the ice maker to the vacation state. Refer to chapter "Ice Maker at Vacations" - page 21.
- Remove all food from the refrigerator and freezer compartments.
- Turn off the refrigerator and freezer compartments.
- Clean the appliance. Refer to **Cleaning**.
- Leave the door open to prevent unpleasant odors. This will also keep mold from building up.
- Shut off the water supply to the ice maker.

TROUBLESHOOTING

If a problem occurs during operation, check whether it is due to an operating error.

Please note that even during the warranty period, some repair costs may be your responsibility. You may be able to correct the following faults by checking the possible causes yourself:

Problem	Possible Cause and Remedy
Appliance does not work, display is off	<ul style="list-style-type: none"> - Is the appliance turned on properly? - Is the power cord properly inserted in the outlet? - Is the circuit breaker or fuse in operating condition?
The interior light does not come on	<ul style="list-style-type: none"> - Is the refrigerator compartment turned on? - Has the door been open for more than 15 minutes?
Loud running noise	<ul style="list-style-type: none"> - Is the appliance standing firmly on the floor, or does the compressor cause nearby items of furniture or objects to vibrate? If necessary, move the appliance slightly, align by adjusting the adjustable feet, or adjust bottles and containers.
Motor seems to run too long	<ul style="list-style-type: none"> - Is the ambient temperature too hot? See Safety Regulations. - Has the appliance been opened too often or left open too long? - A large amount of food has been added. - Unit is in SuperCool mode. Verify unit is in normal operation mode.
The temperature is not cold enough	<ul style="list-style-type: none"> - Is the temperature setting correct? See Setting the Temperature. - Has an excessive amount of fresh food been placed in the appliance? - Does a separately installed thermometer show the correct reading? - Is the ventilation system working properly? - Is the appliance set up too close to a heat source?
Freezer temperature display shows two dashes - -	<p>The freezer temperature display will only show temperatures that are below freezing. When initially starting the freezer it will not be below freezing. It will take three to five hours (depending on ambient conditions) for freezing temperatures to be achieved and thus displayed numerically. This may also occur after a power failure.</p>
Ice or water drops appear on the rear wall in the interior of the refrigerator compartment.	<p>This is completely normal. During the cooling process, the humidity in the refrigerator compartment will condense on the rear wall and freeze. During the compressor idle period, the ice layer will defrost. The condensate on the rear wall drains through the defrost water drain for evaporation.</p>

Ice Maker Troubleshooting

You may be able to correct the following faults yourself:

If you are unable to repair the fault yourself or if the control lamp above the “On/Off” button flashes, contact our customer service department.

Problem	Possible Cause and Remedy
Ice maker cannot be turned on.	Is the combined refrigerator-freezer connected to the electrical outlet?
Ice maker is not making any ice.	<ul style="list-style-type: none"> - Is the ice maker turned on? - Is the water supply line open? - Is the IceMaker drawer closed properly?

Customer Service - Figure 26

If none of the above causes apply and you cannot correct the fault yourself, this means there is a fault. Please contact your nearest customer service department (see enclosed list for addresses).

Give the **fault number displayed**, together with the **Type Designation** ①, **Service Number** ② and **Appliance / Serial Number** ③

as given on the model plate, to ensure prompt, accurate servicing. The model plate is located inside the appliance on the left-hand side.

Leave the appliance closed until the customer service engineer arrives to prevent any further cold loss.

Appliance Information

Record this information when the appliance is installed.

Type Designation: _____

Service Number: _____

Appliance / Serial Number: _____

Date of Purchase: _____

Where Purchased: _____

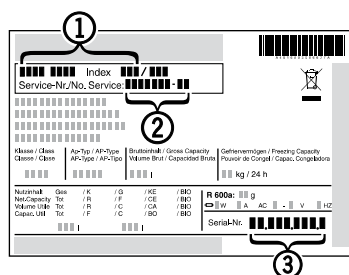


Figure 26

WARRANTY

LIEBHERR WARRANTY PLAN

FULL TWO YEAR WARRANTY - For two years from the date of original purchase, your Liebherr warranty covers all parts and labor to repair or replace any part of the product which proves to be defective in materials or workmanship.

FULL FIVE YEAR WARRANTY - For five years from the date of original purchase, your Liebherr warranty covers all parts and labor to repair or replace any components that prove to be defective in materials or workmanship in the sealed system. The "Sealed System" means only the compressor, condenser, evaporator, drier and all connecting tubing.

LIMITED 6TH THROUGH 12TH YEAR WARRANTY - From the 6th through 12th year from the date of original purchase, your Liebherr warranty covers all parts that prove to be defective in materials or workmanship in the Sealed System (parts only).

TERMS APPLICABLE TO EACH WARRANTY

All service provided by Liebherr under the warranty must be performed by authorized Liebherr service representatives, unless otherwise specified by Liebherr. Service will be provided in the home during normal business hours. This warranty applies only to products installed for normal residential use. Details regarding a non-residential warranty are available on request.

The warranty applies only to products installed in Canada and any one of the fifty States of the United States or the District of Columbia. This warranty does not cover any parts or labor to correct any defect caused by negligence, accident or improper use, maintenance, installation, service or repair, including but not limited to improper removal and reinstallation of the condensing unit.

The remedies described above for each warranty are the only ones which Liebherr will provide, either under these warranties or under any warranty arising by operation of law. Liebherr will not be responsible for any consequential or incidental damages arising from the breach of these warranties or any other warranties, whether express, implied or statutory.

Some states do not allow the exclusion or limitation of incidental or consequential damages so the above limitation or exclusion may not apply to you. This warranty gives you specific legal rights and you may also have other rights which vary from State to State.

To receive parts and/or service and the name of the Liebherr authorized service representative nearest you, contact your Liebherr dealer or distributor or contact the Liebherr designated national service provider:

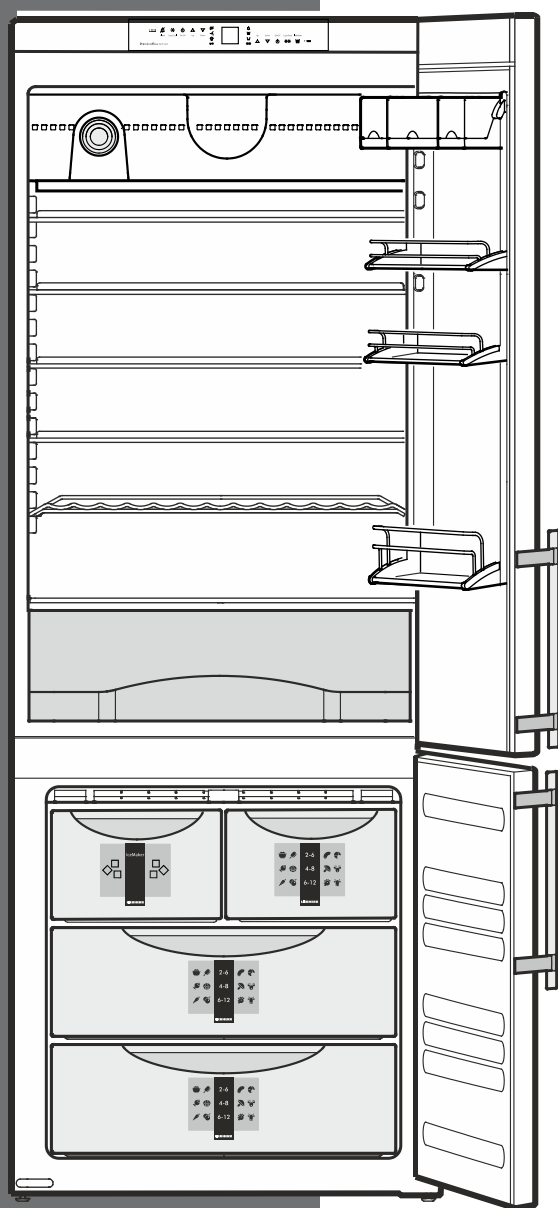
in the US: Liebherr@adcoservice.com, or call 1-866-LIEBHERR or 1-866-543-2437

in Canada: www.euro-parts.ca, or call 1-888-LIEBHERR or 1-888-543-2437.

LIEBHERR

Manuel d'utilisation et d'entretien

Pour les combinés
réfrigérateur-congélateur
NoFrost avec IceMaker



CS 1660
7082 479-00

Félicitations pour votre achat. Le fait d'avoir choisi cet appareil signifie que vous souhaitez profiter de tous les avantages de la technologie d'avant-garde de réfrigération, qui vous garantit une qualité supérieure, une longue vie de votre appareil et une excellente fiabilité.

Les caractéristiques de votre appareil ont été conçues pour vous faciliter la vie - en tout temps.

Cet appareil a été fabriqué avec des matériaux recyclables, avec un processus sans risque pour l'environnement et ensemble nous contribuons activement à la préservation de notre environnement.

Pour vous familiariser avec tous les avantages de votre nouvel appareil, veuillez lire consciencieusement l'information dans ces instructions d'utilisation.

Nous sommes certains que vous serez satisfait de votre nouvel appareil.

Avantages supplémentaires

- Sans CFC
- Circuit réfrigérant optimisé par l'énergie
- Isolation efficace sur le plan énergétique
- Basse consommation d'énergie
- Commandes électroniques faciles à utiliser
- Affichage des fonctions en marche
- La température peut être contrôlée dans une certaine gamme de température, quelle que soit la température ambiante
- Les compartiments réfrigérateur et congélateur se dégivrent automatiquement - aucun besoin de passer du temps à dégivrer
- Grande capacité nette du réfrigérateur
- Fonctions variables et pratiques
- Étagères de rangement en verre trempé
- Grande capacité nette du congélateur
- Fabrique à glaçons automatique
- Filtre à eau pour garantir la bonne qualité de l'eau lors de la fabrication des glaçons
- Alarme d'augmentation de la température du congélateur
- Alarme de porte ouverte sonore
- Écran Panne de courant/FrostControl
- Les aliments frais peuvent être congelés rapidement si besoin est
- Tous les tiroirs sont adaptés à la congélation rapide
- Poignées de transport intégrées sur le boîtier de l'appareil
- Roulettes de transport
- Facile à nettoyer
- Cet appareil est certifié conforme aux normes de l'organisation Star-K pour le sabbat. Il peut donc être utilisé durant les fêtes religieuses. Pour plus d'informations, veuillez consulter le site Star-K sur Internet : www.star-k.org.

TABLE DES MATIÈRES

Table des matières	Page
Sécurité	30
Évacuation de votre ancien appareil	30
La sécurité et l'électricité	30
Importante information sur la sécurité.....	31
Évacuation du carton.....	32
Contraintes de sécurité.....	32
Filtre à eau	33
Filtre à eau	33
Installation du filtre à eau.....	33
Ôter le filtre à eau	33
Caractéristiques	34
Description de l'appareil et de ses aménagements	34
Éléments de commande et de contrôle	35
Utilisation.....	36
Mise en marche et arrêt de l'appareil.....	36
Réglage de la température	36
Affichage de température	37
Ventilation.....	37
Alarme sonore	37
Écran Panne de courant/FrostControl	37
SuperCool	38
Mode Configuration	39 - 41
Compartiment réfrigérateur	42
Disposer les aliments.....	42
Équipement.....	42
Éclairage intérieur	44
Compartiment congélateur	44
Congélation	44
Système d'information	44
Congeler avec SuperFrost.....	45
Congélation et rangement	45
IceMaker.....	46
Recommandations et consignes de sécurité	46
Mise en service de la fabrique à glaçons.....	46
Fabrique à glaçons en mode Vacances	47
Nettoyage	48
Dégivrage/Vacances	49
Dégivrage	49
Conseils pour les périodes de vacances	49
Recherche des pannes.....	50
Recherche des pannes sur la fabrique à glaçons	51
Service à la clientèle.....	51
Information de l'appareil	51
Garantie Liebherr	52

IMPORTANT

Tous les types et modèles sont sujets à des améliorations permanentes. Le fabricant se réserve le droit d'apporter toute modification dans le design, l'équipement et la technologie.

SÉCURITÉ

Veillez lire et suivre ces instructions

Ce manuel d'instructions contient des avertissements et des précautions. Ces informations sont importantes afin de garantir une installation et un fonctionnement sûrs et efficaces.

Toujours lire et respecter les avertissements et les précautions !

Indique un danger qui provoquera des blessures graves, voire la mort, si les précautions ne sont pas respectées.



AVERTISSEMENT

Un avertissement indique une situation potentiellement dangereuse qui, si elle n'est pas évitée, pourrait entraîner la mort ou de graves blessures.



ATTENTION

Une précaution indique une situation potentiellement dangereuse qui, si elle n'est pas évitée, pourrait entraîner des blessures modérées ou mineures.

IMPORTANT

Ceci souligne l'information spécialement pertinente à une installation et un fonctionnement sans problème.

S'assurer que la tension du secteur est la même que celle tolérée par l'appareil.

Pour réduire les risques d'incendie, d'électrochocs ou de blessures corporelles, les travaux d'installation et le câblage électrique doivent être effectués par un électricien qualifié selon les codes et normes applicables, y compris la construction pare-feu.

Évacuation de votre ancien appareil



DANGER

Un enfant risque d'être enfermé. Avant de se débarrasser de l'ancien réfrigérateur ou congélateur :

- **S'assurer de respecter les règlements locaux en matière d'élimination des appareils électroménagers. Les appareils électroménagers mis au rebut peuvent être dangereux.**
- **Enlever la ou les porte(s).**
- **Retirer les tiroirs de congélation.**
- **Laisser les étagères en place afin que les enfants ne puissent pas grimper à l'intérieur.**
- **Couper le câble d'alimentation de l'appareil mis au rebut. Le jeter séparément de l'appareil.**

En respectant toutes ces instructions, les risques de blessures, surtout pour les enfants qui jouent, sont diminués.

Contactez l'agence de collecte des ordures de votre région pour obtenir de plus amples renseignements.

La sécurité et l'électricité

Brancher cet appareil à un circuit 110-120 V CA, 15 amp., contrôlé par un disjoncteur ou fusible. Cet appareil doit posséder son propre circuit de mise à la terre distinct. Ne pas utiliser de rallonge.

Le cordon d'alimentation est doté d'une fiche à trois broches polarisée (avec mise à la terre) pour vous protéger contre les risques d'électrocution éventuels. Pour une protection durable :

- **Ne pas modifier la fiche en ôtant la broche ronde de mise à la terre.**
- **Ne pas utiliser un adaptateur à 2 broches. Si la prise murale est du type à deux broches, demander à un électricien qualifié de la remplacer par une prise à trois broches conforme aux normes électriques en vigueur.**
- **Ne pas utiliser de cordon d'alimentation effiloché ou abîmé.**

Importante information sur la sécurité

Cet appareil est conçu pour une utilisation domestique uniquement. N'utiliser cet appareil que pour ses usages prévus, c'est-à-dire la conservation des aliments. Suivre les avertissements et les consignes de sécurité de ce manuel d'utilisation, sans oublier :

- Pour éviter tout risque de blessure ou d'endommager l'appareil, il est recommandé que deux personnes déballent l'appareil et le mettent en place.
- En cas de détérioration de l'appareil, contacter immédiatement le fournisseur avant même de brancher l'appareil.
- Pour garantir la sécurité de fonctionnement de l'appareil, respecter scrupuleusement les instructions de la notice concernant la mise en place et le raccordement électrique.
- En cas de panne, mettre l'appareil hors service en le débranchant et en déclenchant ou dévissant le fusible.
- Débrancher l'appareil en tirant sur la fiche et non pas sur le câble.
- Afin d'éviter tout risque pour les utilisateurs de l'appareil, les réparations et interventions ne doivent être effectuées que par un Service Après Vente agréé. Cette consigne s'applique également au remplacement du câble d'alimentation.
- Ne pas consommer la glace alimentaire, notamment la glace à l'eau et les glaçons, à la sortie du compartiment congélateur, afin d'éviter tout risque de brûlures pouvant être provoquées par les températures très basses.
- Pour éviter tout risque d'intoxication alimentaire, ne pas consommer des aliments stockés au-delà de leur date limite de conservation.
- L'appareil est conçu pour rafraîchir, congeler et stocker des aliments et pour faire des glaçons. Il est prévu pour fonctionner comme un appareil ménager.
- Ne pas conserver de matières explosives ni de produits en bombe à gaz propulseur inflammable (butane, propane, pentane, etc.) dans votre appareil. En cas de fuite éventuelle, ces gaz risquent en effet de s'enflammer au contact d'éléments électriques de votre appareil. Les produits en bombe concernés sont identifiés par l'étiquette indiquant leur composition ou un symbole représentant une flamme.
- Ne pas utiliser d'appareils électriques à l'intérieur de l'appareil.
- Ne pas laisser les enfants jouer avec cet appareil. Les enfants ne doivent ni grimper, ni s'asseoir ou se mettre debout sur les étagères, les tiroirs et les portes.
- Pour éviter toute blessure éventuelle due à une électrocution, veiller à débrancher le cordon d'alimentation ou déclencher le disjoncteur avant de nettoyer l'appareil.
- Afin d'éviter toute blessure ou d'abîmer l'appareil, ne pas utiliser d'appareils de nettoyage à la vapeur pour nettoyer l'appareil.
- Ne pas utiliser l'appareil en présence de fumées explosives.
- Dans le cas d'une panne de courant, réduire l'ouverture de la ou des porte(s) de l'appareil. Protéger les aliments en plaçant de la glace carbonique sur les paquets ou en utilisant un autre casier pour denrées congelées si la panne de courant est de longue durée. Ne pas essayer de recongeler des aliments congelés déjà dé-congelés.
- Afin d'éviter toute blessure éventuelle, régler une étagère seulement lorsqu'elle est vide. Ne pas essayer d'ajuster une étagère sur laquelle des aliments sont placés.
- Pour éviter d'abîmer l'appareil, le laisser reposer pendant 1/2 heure à une heure avant de remettre l'électricité. Cela permettra au produit réfrigérant et au lubrifiant du système d'atteindre l'équilibre.

SÉCURITÉ

Contraintes de sécurité

L'appareil est conforme à la norme UL 250 / CSA C22.2 # 63 ; il est conçu pour rafraîchir, congeler et stocker des aliments et pour faire des glaçons (si celui-ci est équipé d'une fabrique à glaçons). Il est prévu pour fonctionner comme un appareil ménager.

L'appareil est réglé pour fonctionner dans des limites de température ambiante spécifiques en fonction du climat. Ces limites de température ne doivent pas être dépassées. La classification appropriée de votre appareil en fonction du climat est indiquée sur la plaque de modèle.

Les explications sont les suivantes :

Classification en fonction du climat	Valeurs nominales définies pour les températures ambiantes suivantes
SN	50 à 90°F (10 à 32°C)
N	61 à 90°F (16 à 32°C)
ST	61 à 100°F (16 à 38°C)
SN-ST	50 à 100°F (10 à 38°C)
SN-T	50 à 109°F (10 à 43°C)
T	61 à 109°F (16 à 43°C)

Nous recommandons de nettoyer l'appareil avant de le mettre en marche pour la première fois. Voir **Nettoyage**. Mettre l'appareil en marche plusieurs heures avant de le remplir avec des aliments congelés pour la première fois. Ne pas remplir l'appareil avec des aliments congelés tant que la température n'est pas à 0°F (-18°C) environ.

AVERTISSEMENT

Ne pas laisser les enfants jouer avec cet appareil. Les enfants ne doivent ni grimper, ni s'asseoir ni se mettre debout sur les tiroirs de l'appareil. Ne pas suivre ces instructions pourrait provoquer la mort ou des blessures graves.

ATTENTION

Pour éviter tout risque de blessure ou d'endommager l'appareil, il est recommandé que deux personnes déballent l'appareil et le mettent en place.

ATTENTION

Protéger le revêtement du sol avant de déballer l'appareil.

Éviter d'installer l'appareil à un endroit directement exposé aux rayons du soleil, près d'un four, d'une cuisinière, d'un chauffage ou de tout autre appareil chauffant. Ne poser aucun appareil générateur de chaleur (four à micro-ondes, grille-pain, etc.) sur votre appareil.

Le sol sous l'appareil doit être plan et à niveau.

L'appareil doit être protégé des conditions climatiques. Ne pas obstruer les grilles de ventilation. Veiller à une bonne ventilation de l'appareil.

Dès que l'appareil est déballé :

- Examiner l'appareil et l'emballage pour repérer les dommages qui auraient pu être causés au cours du transport. Contacter immédiatement le transporteur si vous suspectez quelques dommages que ce soit.
- Noter le type (numéro de modèle), l'index, le numéro de série, la date et le lieu d'achat dans les espaces prévus à cet effet au dos de ce manuel.

Évacuation du carton

L'emballage est destiné à protéger l'appareil et les éléments individuels pendant le transport ; il est fabriqué à partir de matériaux recyclés.

AVERTISSEMENT

Laisser l'emballage loin des enfants. Les feuilles et les sacs de polythène peuvent provoquer une suffocation !

- Apporter les emballages jusqu'aux installations de recyclage de votre secteur.

Filtre à eau - Figure 1

Avant de mettre en marche l'appareil, installer le filtre à eau fourni dans la paroi arrière intérieure du compartiment réfrigérateur afin de garantir la bonne qualité des glaçons et d'éviter que des solides tels que le sable ne s'introduisent dans le circuit d'eau.

L'appareil peut également fonctionner sans filtre à eau. Nous recommandons l'utilisation du filtre afin de garantir une qualité d'eau optimale.

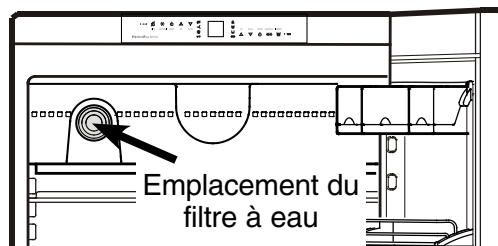
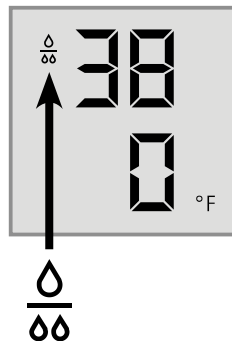


Figure 1

Remplacer le filtre lorsque le symbole représentant une goutte apparaît sur l'écran de température.

Vous pouvez vous procurer les filtres auprès du concessionnaire ou distributeur Liebherr.



⚠ AVERTISSEMENT

Afin d'éviter le risque de prolifération bactérienne, le filtre à eau doit être changé lorsque le symbole représentant une goutte d'eau apparaît sur l'écran !

REMARQUE IMPORTANTE

Il n'est pas nécessaire de fermer l'arrivée d'eau lors du retrait ou de la pose du filtre à eau.

Installation du filtre à eau - Figure 2, Figure 3

1. Ôter le cache de la prise du filtre.

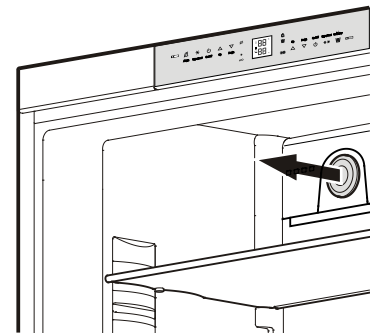


Figure 2

2. Insérer le filtre et le tourner à 90° dans le sens des aiguilles d'une montre.

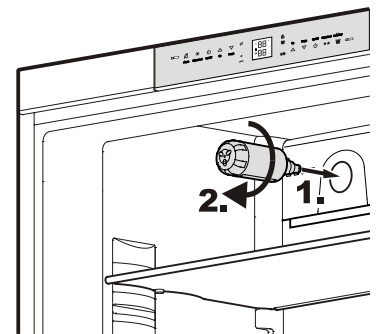


Figure 3

Ôter le filtre à eau - Figure 4

3. Tourner le filtre à 90° dans le sens inverse des aiguilles d'une montre et le retirer.

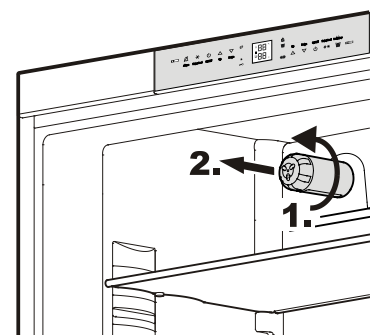
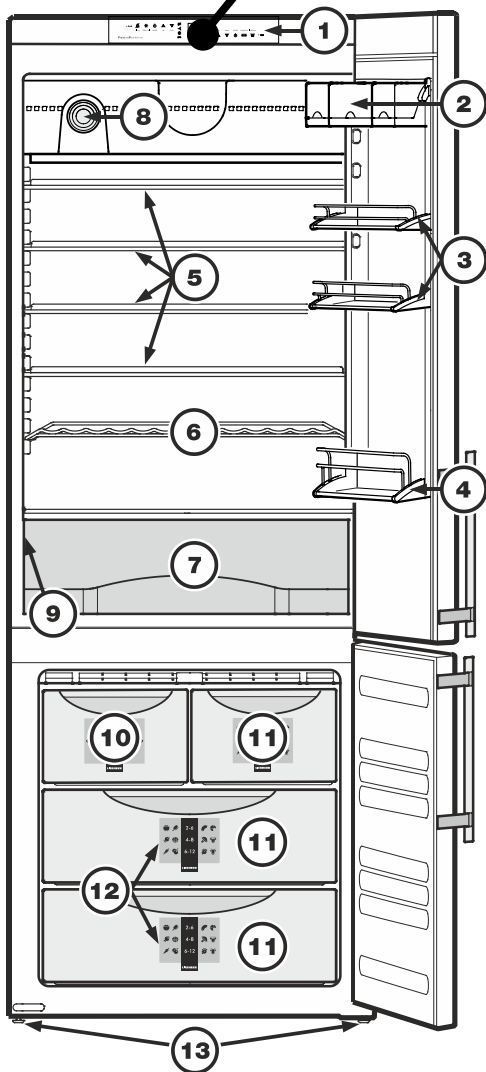
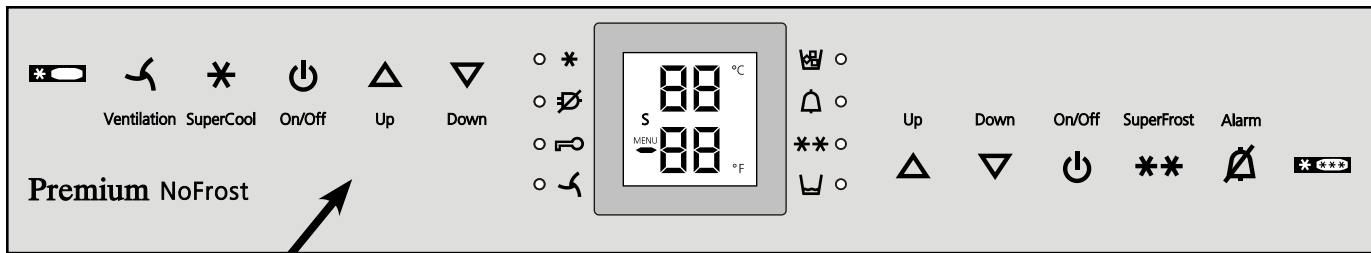


Figure 4

CARACTÉRISTIQUES

Description de l'appareil et de ses aménagements - Figure 5



Description du réfrigérateur

- (1) Éléments de commande et de contrôle
- (2) Compartiment beurre et fromage - Vario Box
- (3) Balconnets de porte ajustables
- (4) Balconnet maxi-bouteilles
- (5) Étagères réglables
- (6) Range-bouteilles
- (7) Tiroir à légumes
- (8) Filtre à eau
- (9) Plaque de modèle (derrière le tiroir à légumes, côté gauche)

Description du congélateur

- (10) Fabrique à glaçons (à l'intérieur du tiroir)
- (11) Tiroirs du congélateur
- (12) Système d'information
- (13) Pieds réglables

Figure 5

CARACTÉRISTIQUES

Éléments de commande et de contrôle - Figure 6, Figure 7

Le bandeau de commande électronique dispose de la « *Technologie de touche capacitive* ». Chaque fonction peut être activée d'une simple pression du doigt sur les icônes de commande.

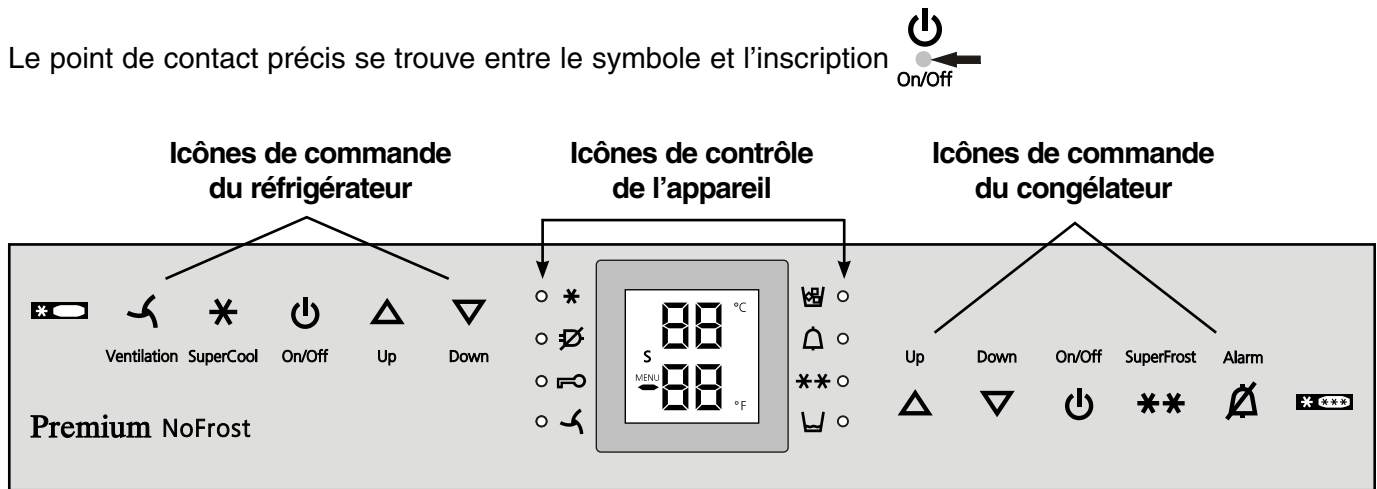


Figure 6

Icônes de commande du réfrigérateur	Icônes de contrôle de l'appareil	Icônes de commande du congélateur
Ventilation On/Off (circulation de l'air)	DEL Panne de courant	Commande de la température Up (pour augmenter la température du congélateur)
SuperCool	DEL SuperCool	Commande de la température Down (pour réduire la température du congélateur)
Réfrigérateur On/Off	DEL Sécurité enfants	Congélateur On/Off
Commande de la température Up (pour augmenter la température du réfrigérateur)	DEL Alarme	SuperFrost
Commande de la température Down (pour réduire la température du réfrigérateur)	DEL Fabrique à glaçons ON	Alarme désactivée (réfrigérateur et congélateur)
	DEL SuperFrost	
	DEL Ventilation ON	

Ecran de température et de contrôle

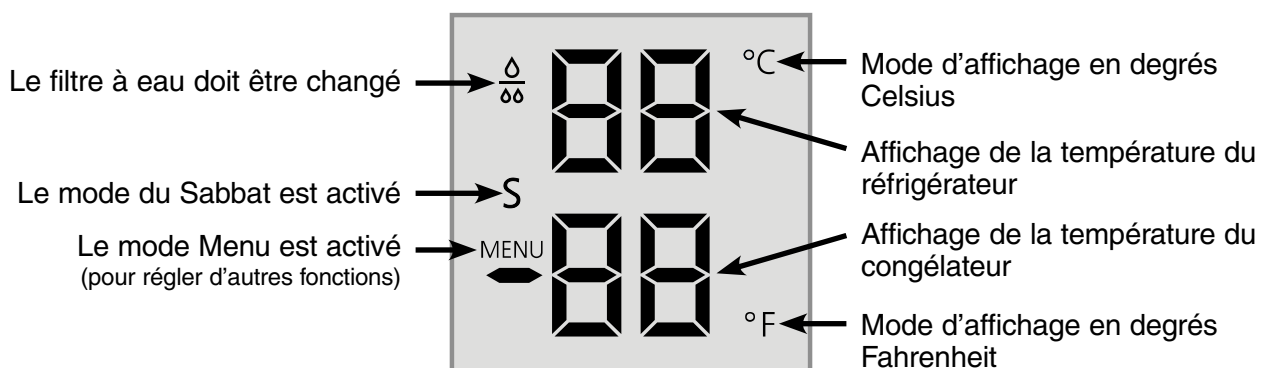


Figure 7

UTILISATION

Mise en marche et arrêt de l'appareil - Figure 8

Nettoyer l'appareil avant de le mettre en marche pour la première fois. Voir **Nettoyage**.

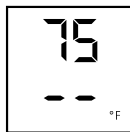
Ne pas remplir le compartiment congélateur avec des aliments congelés tant que la température n'est pas au moins à 0°F (-18°C). Le réfrigérateur et le congélateur peuvent fonctionner indépendamment l'un de l'autre.

1. Mettre en marche :

Appuyer sur l'icône On/Off du réfrigérateur

et l'icône On/Off du congélateur

pour que les écrans de température s'allument.



L'éclairage intérieur s'allume quand la porte du réfrigérateur est ouverte.

2. **Arrêt** : pour mettre le réfrigérateur ou le congélateur à l'arrêt, appuyer sur l'icône On/Off correspondante pendant environ 3 secondes jusqu'à ce que l'affichage de température et les éclairages intérieurs s'éteignent.

Réglage de la température - Figure 8

L'appareil est pré-réglé pour un fonctionnement normal. Nous recommandons les températures de 38°F (3°C) dans le réfrigérateur et de 0°F (-18°C) dans le congélateur.

Pour diminuer la température :

Appuyer sur l'icône DOWN à gauche pour réduire la température du réfrigérateur

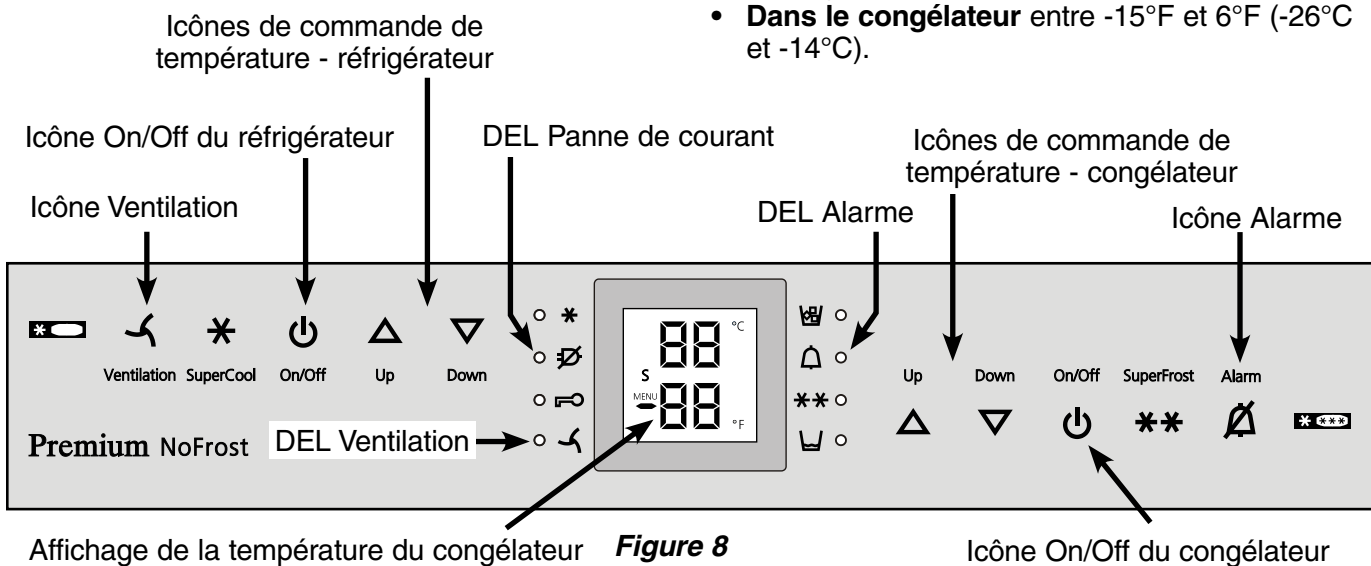
et sur l'icône DOWN à droite pour réduire la température du congélateur.

Pour augmenter la température :

Appuyer sur l'icône UP à gauche pour augmenter la température du réfrigérateur

et à droite pour augmenter la température du congélateur.

- Lorsque vous entrez la température, la **température réglée clignote** sur l'écran.
- Lorsque vous appuyez sur les icônes de réglage de température pour la première fois, le réglage le plus récent s'affiche.
- Vous pouvez modifier les réglages par paliers de 1°F (1°C) en appuyant brièvement sur les icônes. Si vous maintenez la touche appuyée, le réglage de la température changera plus rapidement.
- Environ cinq secondes après que la touche est relâchée, l'écran affiche automatiquement la température de congélation ou de réfrigération actuelle.
- Il est possible de changer les températures :
 - **Dans le réfrigérateur** entre 36°F et 44°F (2°C et 7°C) et
 - **Dans le congélateur** entre -15°F et 6°F (-26°C et -14°C).

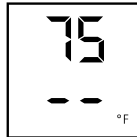


Affichage de température - Figure 8

Pendant le fonctionnement normal, les réglages suivants seront affichés :

- la température moyenne du réfrigérateur,
- la température des aliments surgelés la plus chaude.

Lorsqu'il est mis en service pour la première fois ou lorsque l'appareil est chaud, des tirets apparaissent sur l'écran de température du congélateur jusqu'à ce que la température atteigne 32°F (0°C) dans le compartiment congélateur.



L'écran clignote :

- si vous modifiez la température ou
- si la température s'élève de plusieurs degrés, indiquant la perte de froid, c.-à-d. si on place des aliments frais, « *chauds* » dans le congélateur ou si on enlève ou reconditionne des aliments surgelés, la température risque de s'élever pendant une courte durée en raison de l'air chaud qui entre dans le congélateur.
- Si « *F1* » à « *F5* » apparaît à l'écran, l'appareil est défectueux. Adressez-vous alors à votre service à la clientèle, en indiquant l'affichage que vous avez observé.

Ventilation - Figure 8

Le bouton Ventilation permet la remise en circulation de l'air frais :


Vous pouvez utiliser ce bouton pour :

- refroidir rapidement de grandes quantités d'aliments frais.
- maintenir une température uniforme à travers l'ensemble du compartiment réfrigérateur. L'air circulera en accéléré, maintenant ainsi toutes les différentes zones de l'appareil à la même température et garantissant le refroidissement uniforme de tous les aliments.

Nous vous recommandons d'utiliser le ventilateur dans les cas suivants :

- température ambiante trop élevée (95 °F [35 °C] environ ou plus).
- l'humidité de l'air est trop élevée (forte chaleur humide).

Mettre en marche : appuyer brièvement sur l'icône Ventilation pour que la DEL  s'allume.

Mettre sur arrêt : appuyer de nouveau sur l'icône Ventilation jusqu'à ce que la DEL  soit éteinte.

Alarme sonore - Figure 8

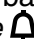
L'alarme sonore permet de protéger les aliments surgelés et d'économiser de l'énergie.

Le signal de l'alarme sonore s'éteint en appuyant sur l'icône Alarme.

Alarme porte ouverte

Cette alarme retentit toujours si la porte est restée ouverte plus de 180 s environ. Vous pouvez l'éteindre tant que la porte est ouverte. En refermant la porte, vous réactivez la fonction d'alarme.

Alarme élévation de température


L'alarme sonore retentit toujours lorsque la température du congélateur n'est pas assez basse. *L'affichage de température et la DEL Alarme  clignotent simultanément.*

Causes possibles :

- des produits frais ont été introduits dans le congélateur alors qu'ils étaient encore chauds,
- une quantité excessive d'air chaud ambiant s'est introduite dans le congélateur pendant que vous rangez ou sortez vos produits.
- une panne dans l'appareil.

L'affichage de la température *clignotera* tant que l'incident détecté par l'alarme ne sera pas éliminé. L'affichage arrêtera ensuite de clignoter et sera permanent, *réactivant* automatiquement la fonction d'alarme sonore.

Écran Panne de courant/ FrostControl - Figure 8

Si la DEL Panne de courant  s'allume, cela signifie que la température du congélateur a **trop** augmenté durant les dernières heures ou les derniers jours en raison d'une panne de courant. L'affichage de température du congélateur clignote simultanément.

- Si vous appuyez maintenant sur l'icône **Alarme**, la température la plus élevée enregistrée pendant la panne de courant s'affiche.
- Vérifier la qualité des aliments au cas où ils se seraient réchauffés ou même décongelés.
- La température la plus élevée s'affiche pendant une minute approx. Ensuite, la température actuelle du congélateur s'affiche à nouveau. Il est possible d'éteindre l'affichage en appuyant plusieurs fois sur l'icône Alarme.

UTILISATION

SuperCool - Figure 9

En appuyant sur l'icône SuperCool, le compartiment réfrigérateur passe en refroidissement maximal. Il est recommandé, surtout si on souhaite refroidir rapidement une quantité importante d'aliments, de boissons, d'aliments qui viennent d'être cuits ou de repas.

- **Mettre en marche** : appuyer brièvement sur l'icône SuperCool pour que la DEL * s'allume. La température du réfrigérateur descend à sa valeur la plus basse.

IMPORTANT

La fonction SuperCool consomme légèrement plus d'énergie. Toutefois, après environ six heures, le réfrigérateur revient automatiquement en fonctionnement normal qui consomme un minimum d'énergie. Si besoin est, il est possible d'arrêter la fonction SuperCool plus tôt.

- **Mettre sur arrêt** : appuyer de nouveau sur l'icône SuperCool jusqu'à ce que la DEL * soit éteinte.

Mode Configuration - Figure 9

En mode Configuration, vous pouvez activer les fonctions suivantes :

☰ = Mode du Sabbat

h = Luminosité de l'affichage

□ = Mode affichage de température

☒ = Quantité d'eau pour le bac à glaçons

⏸ = Fabrique à glaçons mode Vacances

⏪ = Remise à zéro de l'icône Gouttes

☒ = Sécurité enfants

Comment activer le mode Configuration :

- Appuyer sur l'icône **SuperFrost** pendant environ cinq secondes.
 - La **DEL SuperFrost **** s'allume pendant 5 secondes.
 - Après 5 secondes, ☒ clignote sur l'écran.

À présent, l'appareil est en mode Configuration.

Vous pouvez sélectionner les fonctions du mode Configuration en appuyant sur les icônes **Up/Down** du compartiment congélateur.

Remarque

En mode Configuration, l'affichage clignote en continu.

Sortir du mode Configuration :

- Appuyer sur l'icône **On/Off** du compartiment congélateur. L'appareil repasse en mode normal de fonctionnement.

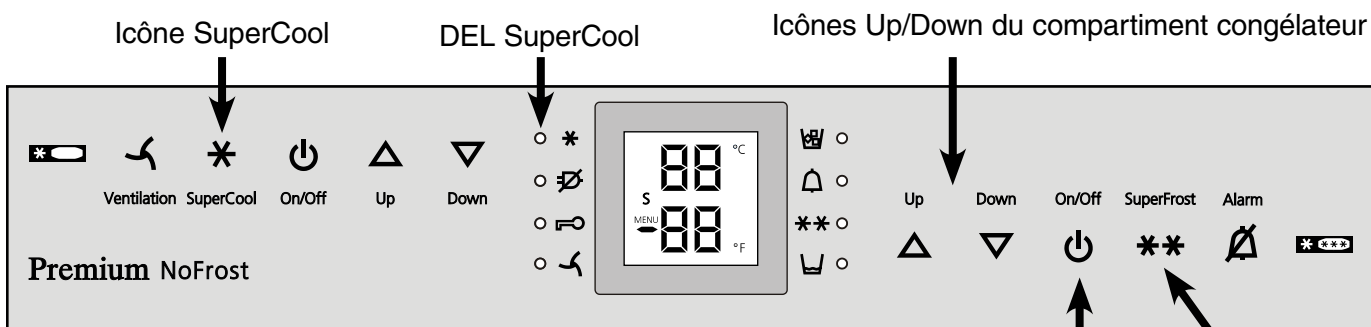


Figure 9

Icône SuperFrost

Icône On/Off du compartiment congélateur



⌘ = Mode du Sabbat

Cette caractéristique tient compte des exigences religieuses lors du Sabbat et des Fêtes. Lorsque le mode du Sabbat est activé, certaines fonctions des commandes électroniques sont mises en arrêt.

La porte peut être ouverte et fermée en tout temps.



- L'éclairage reste éteint.
- Le ventilateur de refroidissement reste comme il se trouve : s'il est en marche, il reste en marche, et s'il est en arrêt, il reste en arrêt.
- Il n'y a pas d'alarme de porte.
- Il n'y a pas d'alarme de température.
- Les cycles de dégivrage sont indépendants du nombre de fois et du temps d'ouverture de la porte.
- L'appareil va revenir en Mode du Sabbat suite à une panne d'électricité.

Comment activer le mode du Sabbat

- Activer le mode Configuration en appuyant sur l'icône **SuperFrost** pendant 5 secondes.
 - L'affichage indique ⌘
- Appuyer sur l'icône **SuperFrost**.
 - L'affichage indique 
- Appuyer de nouveau sur l'icône **SuperFrost**.
 - L'affichage indique 
 - Le mode du Sabbat est activé.
- Sortir du mode Configuration en appuyant sur l'icône **On/Off** du compartiment congélateur.


Le mode Sabbat se désactive automatiquement après 120 heures s'il n'a pas été désactivé manuellement auparavant.

Comment désactiver le mode du Sabbat

- Activer le mode Configuration en appuyant sur l'icône **SuperFrost** pendant 5 secondes.
 - L'affichage indique ⌘
- Appuyer sur l'icône **SuperFrost**.
 - L'affichage indique 
- Appuyer de nouveau sur l'icône **SuperFrost**.
 - Le symbole ⌘  s'éteint, le mode du Sabbat est désactivé.
- Sortir du mode Configuration en appuyant sur l'icône **On/Off** du compartiment congélateur.

h = Luminosité de l'affichage

Réglage de la luminosité de l'affichage

- Activer le mode Configuration en appuyant sur l'icône **SuperFrost** pendant 5 secondes.
- Appuyer sur l'icône **Down du compartiment congélateur** jusqu'à ce qu'h s'affiche sur l'écran de température du congélateur.
- Appuyer sur l'icône **SuperFrost**.
 - L'affichage indique 
- Appuyer sur les icônes **Up/Down du compartiment congélateur** pour procéder à la sélection
 - h 0 = luminosité minimale ou
 - h 5 = luminosité maximale.
- Appuyer sur l'icône **SuperFrost** pour choisir la valeur désirée.
- Sortir du mode Configuration en appuyant sur l'icône **On/Off** du compartiment congélateur.

UTILISATION

Mode Configuration - Figure 10


□ = Mode affichage de température

Vous pouvez sélectionner l'unité de température affichée en degrés Fahrenheit ou en degrés Celsius.

Remarque

Le réglage en usine est en degrés Fahrenheit.

Comment changer l'affichage de température en degrés Celsius

- Activer le mode Configuration en appuyant sur l'icône **SuperFrost** pendant 5 secondes.
- Appuyer sur l'icône **Down du compartiment congélateur** jusqu'à ce que □ s'affiche sur l'écran de température du congélateur.
- Appuyer sur l'icône **SuperFrost**.
- L'affichage indique 
- Appuyer de nouveau sur l'icône **SuperFrost**.
- La température s'affiche maintenant en degrés Celsius.
- Sortir du mode Configuration en appuyant sur l'icône **On/Off** du compartiment congélateur.


Remarque

Pour revenir à l'affichage de température en degrés Fahrenheit, suivre les étapes ci-dessus.

E = Quantité d'eau pour le bac à glaçons

Si les glaçons produits par la fabrique à glaçons sont trop petits, il est possible de régler la quantité d'eau introduite.

Comment régler la quantité d'eau

- Activer le mode Configuration en appuyant sur l'icône **SuperFrost** pendant 5 secondes.
- Appuyer sur l'icône **Down du compartiment congélateur** jusqu'à ce que E s'affiche sur l'écran de température du congélateur.
- Appuyer sur l'icône **SuperFrost**.
- L'affichage indique 
- Appuyer sur l'icône **Up du compartiment congélateur** jusqu'à ce que E 4 s'affiche.



ATTENTION

Ne pas augmenter de plus d'un point. Si la valeur réglée est trop élevée, le bac à glaçons peut déborder.

- Appuyer de nouveau sur l'icône **SuperFrost**.
- Sortir du mode Configuration en appuyant sur l'icône **On/Off** du compartiment congélateur.

Vérifier la taille des glaçons durant les jours suivants. Si les glaçons sont encore trop petits, veuillez suivre les étapes décrites précédemment.

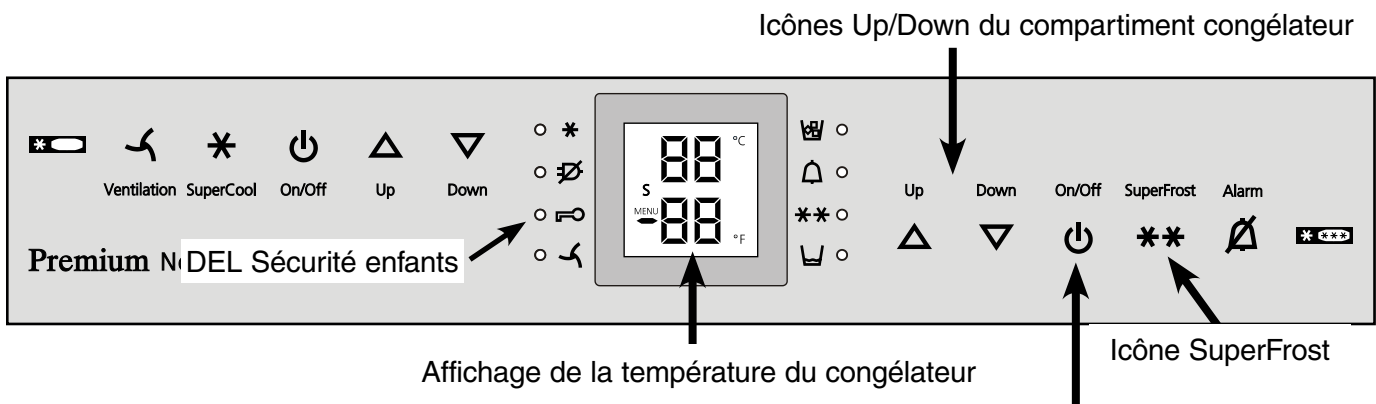


Figure 10 Icône On/Off du compartiment congélateur

! = Fabrique à glaçons mode Vacances



Se référer au chapitre « Fabrique à glaçons » pour plus d'explications.

F = Remise à zéro de l'icône Gouttes

Après avoir changé le filtre d'eau, il est nécessaire de remettre à zéro l'icône Gouttes affichée.





Comment remettre à zéro l'icône Gouttes

- Activer le mode Configuration en appuyant sur l'icône **SuperFrost** pendant 5 secondes.
- Appuyer sur l'icône **Down du compartiment congélateur** jusqu'à ce qu'**F** s'affiche sur l'écran de température du congélateur.
- Appuyer sur l'icône **SuperFrost**.
- L'affichage indique 
- Appuyer de nouveau sur l'icône **SuperFrost**.
- L'affichage indique 
- L'icône Gouttes disparaît.
- Sortir du mode Configuration en appuyant sur l'icône **On/Off** du compartiment congélateur.


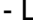
⏏ = Sécurité enfants

La sécurité enfants sert à éviter que l'appareil ne soit arrêté par inadvertance.

Comment activer la sécurité enfants

- Activer le mode Configuration en appuyant sur l'icône **SuperFrost** pendant 5 secondes.
- Appuyer sur l'icône **Down du compartiment congélateur** jusqu'à ce que **⏏** s'affiche sur l'écran de température du congélateur.
- Appuyer sur l'icône **SuperFrost**.
- L'affichage indique 
- Appuyer de nouveau sur l'icône **SuperFrost**.
- La DEL  s'allume et la sécurité enfants est activée.
- Sortir du mode Configuration en appuyant sur l'icône **On/Off** du compartiment congélateur.

Comment désactiver la sécurité enfants

- Activer le mode Configuration en appuyant sur l'icône **SuperFrost** pendant 5 secondes.
- Appuyer sur l'icône **Down du compartiment congélateur** jusqu'à ce que **⏏** s'affiche sur l'écran de température du congélateur.
- Appuyer sur l'icône **SuperFrost**.
- L'affichage indique 
- Appuyer de nouveau sur l'icône **SuperFrost**.
- La DEL  s'éteint. La sécurité enfants est désactivée.
- Sortir du mode Configuration en appuyant sur l'icône **On/Off** du compartiment congélateur.

COMPARTIMENT RÉFRIGÉRATEUR

Disposer les aliments - Figure 11

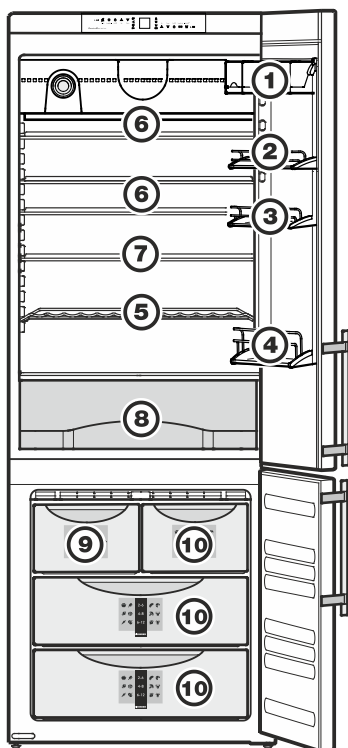


Figure 11

- (1) Beurre, fromage
- (2) Œufs
- (3) Canettes, boissons
- (4) Récipients d'une contenance d'1 gallon
- (5) Bouteilles
- (6) Viande et saucisses, produits laitiers
- (7) Aliments cuits au four, repas précuits
- (8) Fruits, légumes, salades
- (9) Glaçons
- (10) Produits congelés

IMPORTANT

- Les liquides et les aliments qui émettent ou absorbent les odeurs doivent toujours être recouverts ou conservés dans des boîtes fermées.
- Veiller à ce que vos alcools forts soient bien fermés et les conserver verticalement.
- Les fruits, les légumes et les salades peuvent être stockés dans le tiroir (8) sans emballage.

Equipement

⚠ AVERTISSEMENT

Afin d'éviter d'éventuelles blessures, ajuster une étagère ou un balconnet de porte seulement lorsque ceux-ci sont vides. Ne pas essayer d'ajuster une étagère ou un balconnet de porte sur lesquels sont placés des aliments.

Il est possible de modifier la hauteur des étagères et des balconnets de porte s'il y a lieu.

Repositionnement des balconnets de porte - Figure 12

Faire glisser le balconnet vers le haut puis vers l'extérieur et le replacer dans le sens contraire.

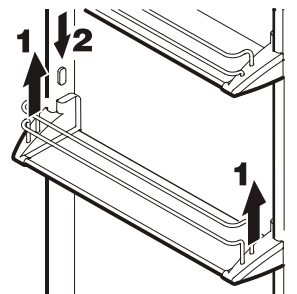


Figure 12

Vario Box - Figure 13

Les boîtes de rangement peuvent être retirées en entier et être déposées sur la table.

Repositionner les boîtes : retirer en poussant vers le haut puis réinsérer à l'endroit souhaité.

Le rail de support des boîtes peut être retiré par le haut et positionné ailleurs (il peut par exemple être permuté avec un balconnet de porte).

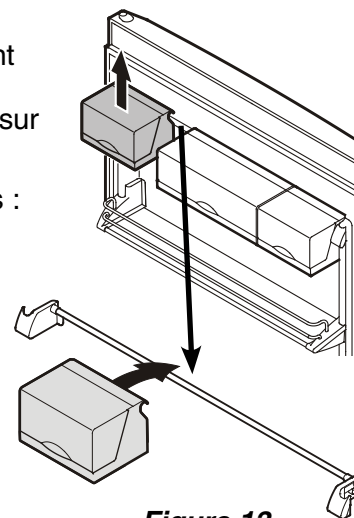


Figure 13

Attention ! Les couvercles des boîtes doivent être fermés lors de la fermeture de la porte - risque de dommages matériels.

Range-bouteilles - Figure 14

Le range-bouteilles vous offre un espace supplémentaire pour la réfrigération des boissons.

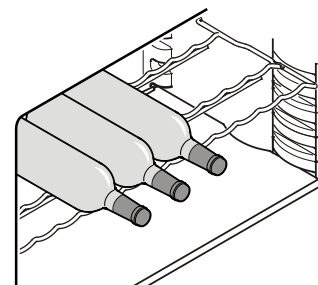
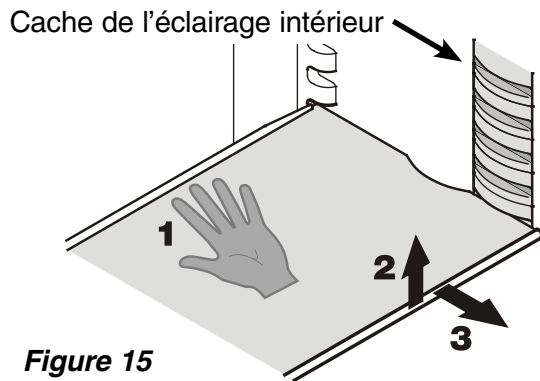


Figure 14

COMPARTIMENT RÉFRIGÉRATEUR

Repositionner les étagères - Figure 15

1. Tenir l'étagère dans votre main afin d'éviter qu'elle ne bascule vers l'arrière lors du déplacement.
2. Soulever le devant de l'étagère.
3. Déplacer l'étagère vers l'avant pour aligner l'évidement circulaire de l'étagère avec le cache de l'éclairage intérieur.
4. Soulever l'étagère vers le haut ou l'abaisser et la replacer dans la position souhaitée.

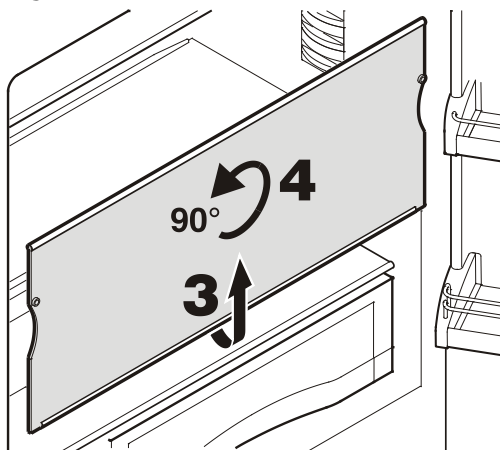


Retirer les étagères - Figure 16

1. Suivre les trois premières étapes décrites au chapitre ci-dessus.
2. Abaisser l'étagère et l'arrêter juste au-dessus du tiroir à légumes supérieur.
3. Déplacer l'avant de l'étagère vers le haut jusqu'à ce que l'étagère soit en position verticale.
4. Tourner l'étagère dans le sens inverse des aiguilles d'une montre et la retirer.

⚠ AVERTISSEMENT

Afin d'éviter toute chute lors du déplacement, tenir l'étagère avec les deux mains.

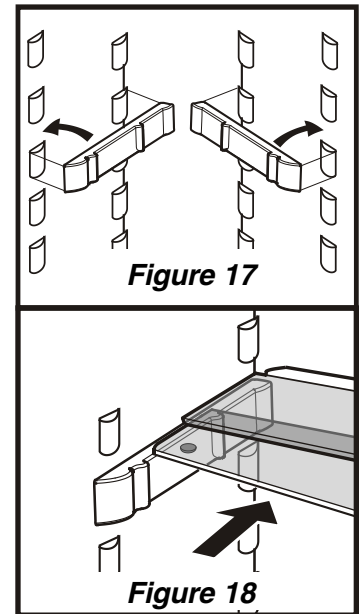


Si un espace pour des bouteilles ou des boîtes plus grandes est nécessaire

Placer les glissières fournies à la hauteur souhaitée sur les boutons de support à droite et à gauche - **Figure 17**.

Introduire les tablettes en verre selon la fig. 18. La tablette en verre avec butée doit se trouver à l'arrière.

S'il vous faut de la place pour des récipients hauts, il suffit de pousser délicatement la **partie avant** de la tablette en verre sous la partie arrière, voir **Figure 18**.

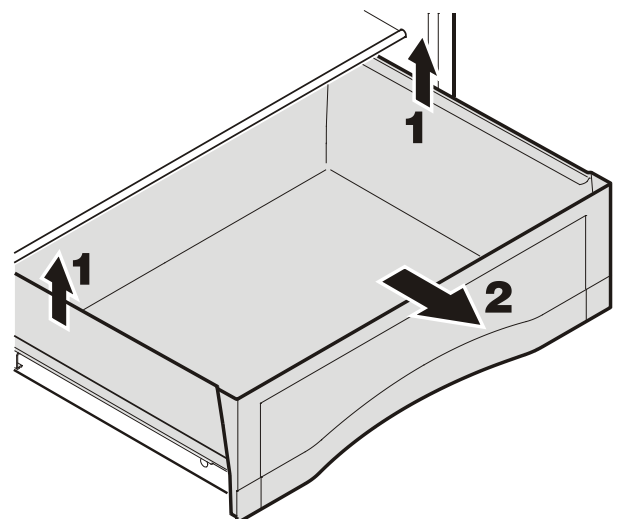


Pour sortir le tiroir à légumes

Sortir complètement le tiroir, le saisir à l'arrière et le soulever - **Figure 19**.

Pour mettre le tiroir à légumes en place

Reposer le tiroir sur les glissières. Les glissières doivent être complètement sorties et doivent arriver en butée de la façade du tiroir. Glisser le tiroir.



Éclairage intérieur

L'éclairage intérieur est situé à gauche et à droite dans le réfrigérateur (**Figure 20**). Il s'allume lorsque la porte du réfrigérateur est ouverte.

Par ailleurs, une barre d'éclairage se trouve sur le côté inférieur de la porte du réfrigérateur. Elle s'allume lorsque la porte du congélateur est ouverte afin d'éclairer l'intérieur du congélateur.

⚠ AVERTISSEMENT

L'éclairage intérieur émet un rayonnement laser de catégorie 1M. Ne regardez pas la lumière directement ou par l'intermédiaire d'un instrument optique lorsque le diffuseur est retiré sous peine de vous exposer à des lésions oculaires graves.

L'éclairage s'éteint lorsque l'une des portes reste ouverte plus de 15 minutes. L'alarme sonore retentit en parallèle.

Si une lumière ne s'allume pas, il y a un défaut.

⚠ AVERTISSEMENT

L'éclairage intérieur ne doit être remplacé que par le Service Après Vente ou par un spécialiste formé !

N'essayez pas de changer l'éclairage défectueux vous-même !

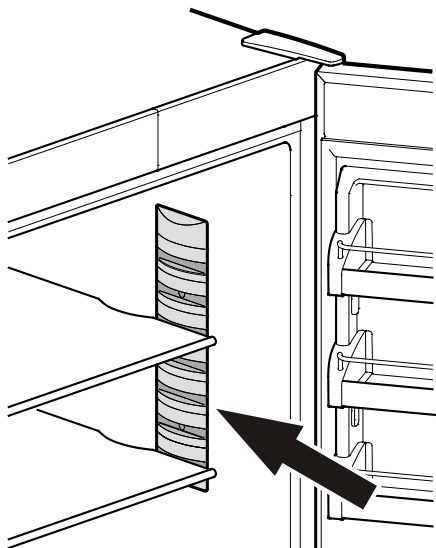


Figure 20

Congélation

Les aliments frais doivent être congelés complètement et aussi rapidement que possible. Cela est possible avec la fonction SuperFrost et assure que la valeur nutritionnelle, l'apparence et le goût des aliments restent intacts.

Système d'information - Figure 21

Consommer les aliments congelés au cours de la période recommandée. Les chiffres entre les symboles indiquent la durée de conservation en mois pour les différents types d'aliments congelés. Les durées de conservation servent d'indication pour les aliments congelés à la maison. La valeur inférieure ou supérieure s'applique en fonction de la qualité des aliments et du traitement qu'ils ont subi préalablement à la congélation. Les valeurs inférieures s'appliquent toujours aux aliments à haute teneur en graisses.

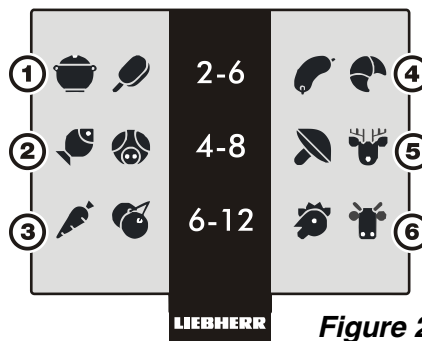


Figure 21

- (1) Repas précuits, crèmes glacées
- (2) Poisson, porc
- (3) Légumes, fruits
- (4) Saucisses, pain
- (5) Champignons, gibier
- (6) Volailles, bœuf

COMPARTIMENT CONGÉLATEUR

Congeler avec SuperFrost - Figure 22 Congélation et rangement

- Appuyer un court instant sur l'icône SuperFrost pour que la DEL ** s'allume.
- Attendre 24 heures.
- Placer ensuite les aliments frais à l'intérieur du congélateur.
- La fonction SuperFrost s'arrête automatiquement au bout de 30 (au plus tard 65) heures en fonction de la quantité d'aliments rangés dans le congélateur.

Le processus de congélation est maintenant terminé, la DEL ** SuperFrost s'éteint et le congélateur revient à un fonctionnement normal qui consomme un minimum d'énergie.

IMPORTANT

Il est conseillé de ne pas activer la fonction SuperFrost :

- pour placer des aliments surgelés dans le congélateur ;
- pour congeler jusqu'à environ 4-1/2 lb (2 kg) d'aliments frais par jour.

- Emballer les aliments surgelés dans des sacs de congélation ou des boîtes en plastique, métal ou aluminium réutilisables.
- Ne pas laisser les aliments frais devant être congelés entrer en contact avec les aliments déjà congelés. Veiller à ce que les paquets soient secs pour éviter qu'ils ne se collent entre eux.
- Toujours écrire la date et le contenu sur le paquet et ne pas dépasser le temps de stockage indiqué pour les aliments. Ceci permet d'éviter le gâchis.
- Emballer les aliments que vous congélez vous-même en quantité que vous allez utiliser dans votre ménage. Pour assurer que les aliments se congèlent rapidement, chaque paquet ne doit pas dépasser les quantités suivantes :
 - fruits, légumes : jusqu'à 2-1/4 lb (1 kg) ;
 - viande : jusqu'à 5-1/2 lb (2,5 kg).
- Ne pas congeler des bouteilles ou des canettes qui contiennent des boissons gazeuses, car elles risquent d'exploser. Les boissons peuvent être refroidies rapidement, toutefois il faudra sortir les bouteilles du congélateur après une heure maximum.
- Ne sortir que la quantité d'aliments devant être décongelés. Faire cuire les aliments déjà décongelés le plus rapidement possible. Les aliments congelés peuvent être décongelés de différentes façons :
 - dans un four à micro-ondes
 - dans le réfrigérateur : la meilleure façon de décongeler les aliments, car les chances de bactéries sont moindres. Utiliser cette méthode pour les aliments à forte densité comme les rôtis et la volaille.

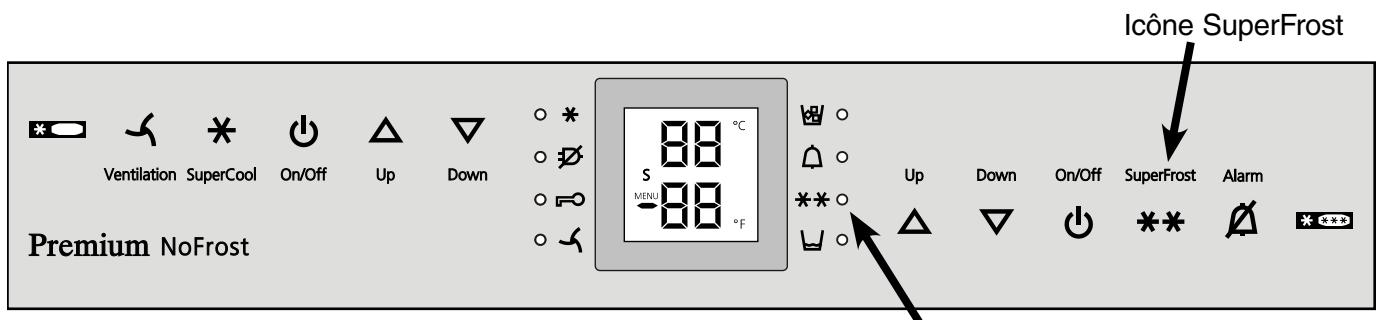


Figure 22

DEL SuperFrost

Recommandations et consignes de sécurité

- La fabrique à glaçons sert exclusivement à la production de glaçons correspondant aux besoins des ménages et ne doit être exploitée qu'avec de l'eau appropriée pour cet usage.
- Les réparations et interventions au niveau de la fabrique à glaçons doivent être effectuées uniquement par le service après-vente ou par du personnel spécialisé formé à cet effet.
- **Les trois premiers lots de glaçons ne doivent ni être consommés, ni utilisés. Cette règle s'applique aussi bien lors de la mise en service qu'après une mise hors service prolongée de l'appareil.**
- **Le fabricant se dégage de toute responsabilité pour des dommages résultant des équipements ou des conduites d'eau situés entre l'électrovanne et le raccordement à l'eau domestique.**
- La fabrique à glaçons ne fonctionne que lorsque le combiné réfrigérateur-congélateur est raccordé électriquement. Les glaçons sont produits uniquement lorsque le congélateur est en service.
- La fabrique à glaçons se trouve dans le tiroir supérieur gauche dans le compartiment congélateur du combiné (**Figure 5**). La fabrique à glaçons ne peut produire des glaçons que lorsque le tiroir est entièrement fermé.

Purge de la fabrique à glaçons

IMPORTANT

Pour garantir le bon fonctionnement de la fabrique à glaçons, la conduite d'eau doit être entièrement purgée.

- Retirer le tiroir.
- Appuyer sur la touche « ON/OFF » de manière à ce que le voyant de contrôle correspondant s'allume (**Figure 23**).
- Appuyer sur la touche du boîtier de la fabrique à glaçons (**Figure 23**) pendant environ 3 secondes. La DEL située au-dessus du bouton se met à clignoter.
- Appuyer une nouvelle fois brièvement sur la touche. La DEL clignote plus rapidement.
- Fermer immédiatement le tiroir.

La prise d'eau de l'appareil s'ouvre pendant 25 secondes et évacue tout l'air de la conduite d'eau.

- Après cela, vider le bac à glaçons (**Figure 24**). Se référer au chapitre « Fabrique à glaçons en mode Vacances ».
- Pour finir, nettoyer le tiroir.

Mise en service de la fabrique à glaçons

Mettre en marche la fabrique à glaçons

- Retirer le tiroir.
- Appuyer sur la touche « ON/OFF » de manière à ce que le voyant de contrôle correspondant s'allume (**Figure 23**).
- Fermer le tiroir.

Après la mise en service, il faut attendre jusqu'à 24 heures pour que les glaçons soient fabriqués.

Remarque

Veiller à ce que les trois premiers lots de glaçons ne soient ni utilisés, ni consommés.

L'appareil fabrique entre 90 et 100 glaçons en 24 heures à une température de 0°F (-17°C) à l'intérieur du congélateur.

Pour obtenir une capacité maximale d'environ 140 glaçons en 24 heures, activer la fonction SuperFrost.

Il faut savoir que cette fonction augmente la consommation d'énergie car le compresseur fonctionne alors en permanence.

Les glaçons tombent de la fabrique à glaçons dans le tiroir. À partir d'une certaine quantité, la production de glaçons s'arrête automatiquement. La fabrique à glaçons ne remplit pas entièrement le tiroir.

Si vous avez besoin d'une quantité de glaçons plus importante, le tiroir **IceMaker** plein peut être échangé contre le tiroir se trouvant à droite.

Arrêter la fabrique à glaçons

Si vous n'avez pas besoin de glaçons, la fabrique à glaçons peut être mise hors fonction indépendamment du congélateur.

- Appuyer sur la touche « ON/OFF » pendant 1 seconde de façon à ce que le voyant s'éteigne.

Remarque

Lorsque la fabrique à glaçons est arrêtée, le tiroir vide peut être utilisé pour la congélation et le stockage de produits alimentaires.

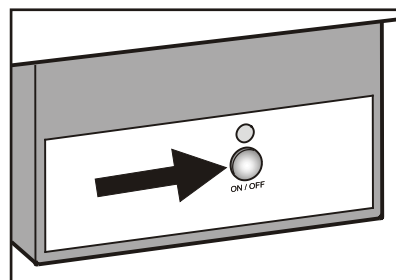


Figure 23

Fabrique à glaçons en mode Vacances

En cas de vacances prolongées, le bac à glaçons (flèche sur la **Figure 24**) doit être vidé.

En réglant la fabrique à glaçons en mode Vacances, le bac pivote vers le bas et vide ainsi l'eau du bac (**Figure 24**).

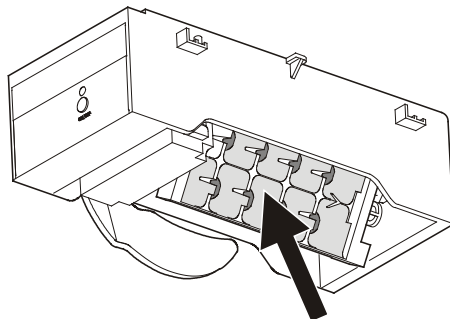


Figure 24

La porte du congélateur doit rester ouvert pour que la surface du bac sèche et éviter l'apparition de moisissure ou d'odeurs désagréables.

Comment activer le mode Vacances de la fabrique à glaçons - Figure 25

S'assurer que le tiroir est complètement fermé.

1. Activer le mode Configuration en appuyant sur l'icône **SuperFrost** pendant 5 secondes.
2. Appuyer sur l'icône **Down du compartiment congélateur** jusqu'à ce qu'il s'affiche sur l'écran de température du congélateur.

3. Appuyer sur l'icône **SuperFrost**.
- L'affichage indique



ou



suivant si la fabrique à glaçons est en marche ou à l'arrêt.

4. Appuyer sur l'icône **Down du compartiment congélateur**.

- L'affichage indique



5. Appuyer sur l'icône **SuperFrost**.
- Le chiffre 1 clignote



Le bac à glaçons pivote vers le bas.

Quand la température intérieure apparaît à l'écran, le bac est retourné (**Figure 24**) et la fabrique à glaçons s'éteint automatiquement.

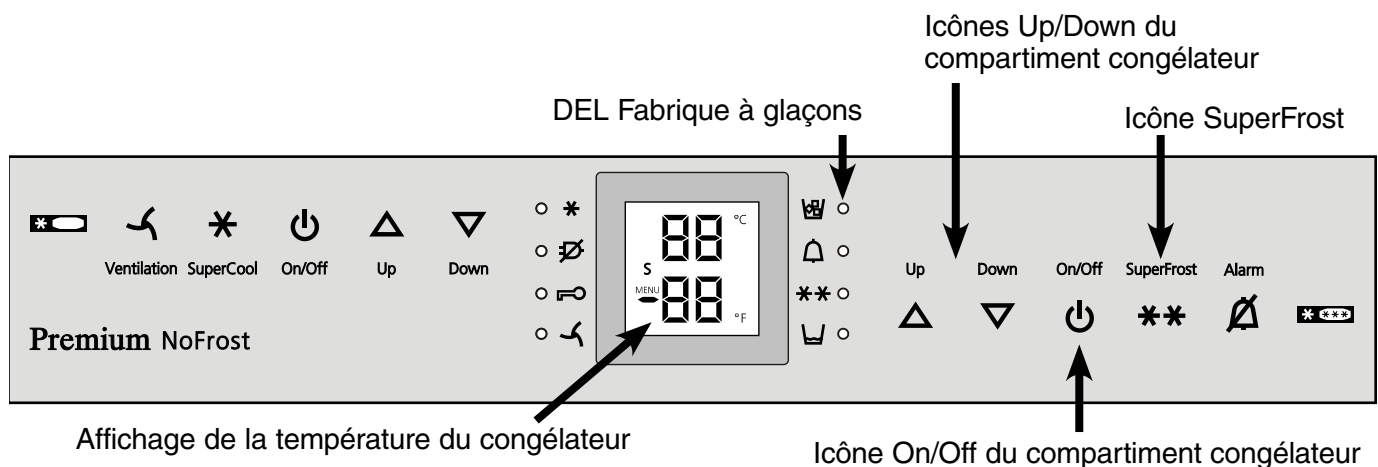


Figure 25

NETTOYAGE

Nettoyage



AVERTISSEMENT

- Pour éviter toute blessure éventuelle due à une électrocution, veiller à débrancher le cordon d'alimentation ou déclencher le disjoncteur avant de nettoyer l'appareil.
- Afin d'éviter toute blessure ou d'abîmer l'appareil, ne pas utiliser d'appareils de nettoyage à vapeur pour nettoyer l'appareil.
- Afin d'éviter un court circuit lors du nettoyage de l'appareil, s'assurer que l'eau ne pénètre pas dans les composants électriques. Ne pas utiliser une éponge ou un chiffon trop humide.
- Nettoyer d'abord les parois latérales avec un nettoyant d'inox tel qu'on le trouve habituellement dans le commerce. Utiliser ensuite le produit d'entretien des surfaces inox ci-joint en l'appliquant régulièrement dans le sens du poli.
- Utiliser pour nettoyer la surface des portes uniquement un chiffon propre et doux, légèrement humecté si besoin (eau + produit vaisselle). On peut utiliser facultativement un chiffon en microfibres.

Ne pas utiliser d'éponges abrasives ou de tampon métallique à récurer. **Ne pas** utiliser de produits nettoyants concentrés et **NE JAMAIS** utiliser de nettoyants abrasifs ou acides ou de solvants chimiques.

- Retirer tous les aliments des compartiments réfrigérateur et congélateur et les stocker provisoirement dans un endroit frais. Stocker les aliments congelés dans d'autres congélateurs si c'est possible.
- Retirer les balconnets de porte comme à la **Figure 12, 13**.
- Retirer les étagères en verre comme à la **Figure 16**.
- Retirer les tiroirs à légumes.
- Nettoyer les équipements intérieurs à la main avec de l'eau tiède et un produit vaisselle.



ATTENTION

Ne pas nettoyer les équipements intérieurs dans le lave-vaisselle. Les bordures de ces éléments pourraient se défaire.

- Nettoyer l'intérieur du réfrigérateur et les tiroirs du congélateur avec de l'eau tiède et un produit vaisselle.
- Essuyer bien l'appareil avec un chiffon.
- **Ne pas** endommager ou enlever la plaque de modèle à l'intérieur de l'appareil. Elle est très importante en cas de réparations.

Dégivrage

Compartiment réfrigérateur :

Le compartiment réfrigérateur est à dégivrage automatique. L'eau de dégivrage qui se forme sur la paroi arrière est évacuée et recueillie dans un bac au dos de l'appareil, d'où elle s'évapore ensuite sous l'effet de la chaleur dissipée par le compresseur.

Compartiment congélateur :

Le système NoFrost dégivre automatiquement le compartiment congélateur. Toute l'humidité est collectée sur l'évaporateur et gèle ; elle se dégivre et s'évapore régulièrement.

Conseils pour les périodes de vacances

Vacances courtes :

Il est inutile de mettre le réfrigérateur et le congélateur hors tension en cas d'absence inférieure à quatre semaines.

- Consommer toutes les denrées périssables.
- Congeler les autres produits.
- Mettre la fabrique à glaçons hors tension.
- Arrêter l'arrivée d'eau de la fabrique à glaçons.

Vacances prolongées :

En cas d'absence supérieure ou égale à un mois :

- Mettre la fabrique à glaçons en mode Vacances. Se référer au chapitre « Fabrique à glaçons en mode Vacances » - page 47.
- Retirer tous les aliments des compartiments réfrigérateur et congélateur.
- Mettre hors tension les compartiments réfrigérateur et congélateur.
- Nettoyer l'appareil. Consulter la section **Nettoyage**.
- Laisser la porte ouverte pour éviter des odeurs désagréables. Cela empêche également la formation de moisissure.
- Arrêter l'arrivée d'eau de la fabrique à glaçons.

RECHERCHE DES PANNES

Si un problème survient en cours d'utilisation, vérifiez s'il est dû à une erreur d'utilisation.

Il est important de noter que même pendant la période de garantie, certains coûts de réparation peuvent être imputés au propriétaire. Vous serez peut-être en mesure de remédier aux pannes suivantes en vérifiant vous-même les causes possibles.

Problème	Cause possible et solution
L'appareil ne fonctionne pas, l'écran est éteint	<ul style="list-style-type: none">- L'appareil a-t-il été correctement mis en marche ?- La fiche du cordon d'alimentation est-elle correctement enfichée ?- Le disjoncteur ou le fusible est-il en bon état de fonctionnement ?
L'éclairage intérieur ne s'allume pas	<ul style="list-style-type: none">- Le compartiment réfrigérateur est-il en marche ?- La porte est-elle restée ouverte plus de 15 minutes ?
Fonctionnement très bruyant	<ul style="list-style-type: none">- L'appareil est-il correctement posé au sol ou le compresseur fait-il vibrer des meubles ou des objets proches ? Si besoin est, déplacez légèrement l'appareil, alignez-le en ajustant les pieds réglables ou séparez les bouteilles et les boîtes.
Le moteur semble fonctionner trop longtemps	<ul style="list-style-type: none">- La température ambiante est-elle trop élevée ? Voir Contraintes de sécurité.- L'appareil a-t-il été ouvert trop souvent ou est-il resté ouvert trop longtemps ?- Une grande quantité d'aliments frais a-t-elle été placée dans l'appareil ?- L'appareil est en mode SuperCool. Vérifiez que l'appareil est en mode de fonctionnement normal.
La température n'est pas assez basse	<ul style="list-style-type: none">- Le réglage de la température est-il correct ? Voir Réglage de la température.- Trop d'aliments frais ont-elles été placées dans l'appareil ?- Le thermomètre installé séparément indique-t-il la température correcte ?- La ventilation de l'appareil fonctionne-t-elle correctement ?- L'appareil est-il installé à proximité d'une source de chaleur ?
Deux tirets "- -" s'affichent sur l'écran de température du congélateur	L'écran de température du congélateur affiche uniquement les températures négatives. Lorsque le congélateur est mis en service la première fois, la température n'est pas négative. Il faut compter entre trois et cinq heures (selon les conditions ambiantes) pour que les températures passent en dessous de zéro et puissent donc s'afficher. Ceci peut également se produire après une panne de courant.
Une couche de glace ou des gouttes d'eau se forment sur la paroi arrière du compartiment réfrigérateur.	Ce phénomène est tout à fait normal. Durant le processus de réfrigération, l'humidité dans le compartiment réfrigérateur se condense sur la paroi arrière, et du givre se forme. Lorsque le compresseur est à l'arrêt, la couche de glace fond. L'eau de condensation de la paroi arrière se retire alors à travers l'orifice d'écoulement de l'eau de dégivrage pour s'évaporer ensuite.

RECHERCHE DES PANNES

Recherche des pannes sur la fabrique à glaçons

Vous serez peut-être en mesure de remédier aux pannes suivantes en vérifiant les causes possibles :

Si vous ne pouvez pas remédier vous-même à la panne ou si le voyant de contrôle se trouvant au-dessus de la touche « On/Off » clignote, veuillez vous adresser au service après-vente.

Problème	Cause possible et remède
La fabrique à glaçons ne peut pas être mise en marche.	Le combiné réfrigérateur-congélateur est-il bien branché à la prise électrique ?
La fabrique à glaçons ne fabrique pas de glaçons.	<ul style="list-style-type: none"> - A-t-elle été mise en marche ? - Le conduit d'alimentation d'eau est-il ouvert ? - Le tiroir « IceMaker » est-il bien fermé ?

Service à la clientèle - Figure 26

Si aucune des causes ci-dessus ne s'applique et qu'il est impossible de remédier à la panne seul cela signifie qu'il y a une défaillance. Contacter le département du service à la clientèle le plus proche (voir la liste d'adresses jointe).

Indiquer le **numéro de défaillance affiché**, de même que

- la désignation du type** ①,
- le numéro de service** ② et
- le numéro de l'appareil/série** ③

qui sont indiqués sur la plaque de modèle pour assurer un service rapide et efficace. La plaque de modèle est située à l'intérieur de l'appareil du côté gauche.

Laisser l'appareil fermé jusqu'à l'arrivée du technicien du service à la clientèle afin d'éviter des pertes de froid supplémentaires.

Information de l'appareil

Conserver cette information au moment de l'installation de l'appareil.

Désignation du type : _____

Numéro de service : _____

Numéro de l'appareil/série : _____

Date d'achat : _____

Lieu d'achat : _____

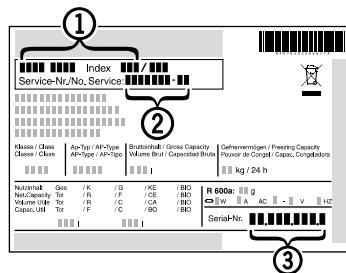


Figure 26

GARANTIE

GARANTIE LIEBHERR

GARANTIE COMPLÈTE DE DEUX ANS - Pendant deux ans à partir de la date originale de l'achat, votre garantie Liebherr couvre toutes les pièces et main-d'oeuvre pour réparer ou remplacer toute pièce du produit qui s'avère défectueuse, relativement aux matériaux ou à la main-d'oeuvre.

GARANTIE COMPLÈTE DE CINQ ANS - Pendant cinq ans à partir de la date originale de l'achat, votre garantie Liebherr couvre toutes les pièces et main-d'oeuvre pour réparer ou remplacer toute pièce du produit qui s'avère défectueuse, relativement aux matériaux ou à la main-d'oeuvre du système scellé. Le « système scellé » est uniquement constitué du compresseur, du condenseur, de l'évaporateur, du déshydrateur et de tous les tubes de branchement.

GARANTIE LIMITÉE DE LA 6^{ÈME} À LA 12^{ÈME} ANNÉE - De la 6^{ème} à la 12^{ème} année à partir de la date originale de l'achat, votre garantie Liebherr couvre toutes les pièces qui s'avèrent défectueuses, relativement aux matériaux ou à la main-d'oeuvre, dans le système scellé (pièces seulement).

CONDITIONS APPLICABLES À CHAQUE GARANTIE

Tous les services fournis par Liebherr dans le cadre de cette garantie doivent être exécutés par les représentants de services autorisés par Liebherr, à moins d'être autrement spécifié par Liebherr. Le service sera rendu sur place pendant les heures d'affaires normales. Cette garantie s'applique uniquement aux produits installés pour un usage privé normal. Les détails relatifs à la garantie non-privée sont disponibles sur demande.

La garantie s'applique uniquement aux produits installés dans n'importe lequel des cinquante états des États-Unis ou dans le District de Columbia et au Canada. Cette garantie ne couvre ni les pièces ni la main-d'oeuvre nécessaires à la correction d'une défaillance causée par la négligence, un accident ou une mauvaise utilisation, entretien, installation, service ou réparation, incluant, mais sans être limité à, un retrait et une réinstallation incorrects du groupe compresseur-condenseur.

Les réparations décrites ci-dessus pour chacune des garanties sont les seules que Liebherr fournira, que ce soit en regard de ces garanties ou de toute autre garantie survenant par l'action d'une loi. Liebherr ne se tient aucunement responsable de tout dommage consécutif ou indirect pouvant survenir à cause d'une violation de ces garanties ou de toute autre garantie, qu'elle soit expresse, implicite ou réglementaire.

Certains états ne permettent pas l'exclusion ou la limitation des dommages indirects ou consécutifs ; les limitations ci-dessus peuvent par conséquent ne pas s'appliquer à votre cas. Cette garantie vous donne des droits légaux spécifiques et vous pouvez également avoir d'autres droits qui varient d'un état à l'autre.

Pour recevoir des pièces et/ou des services ainsi que le nom du représentant de service Liebherr autorisé le plus près de chez vous, contactez le concessionnaire ou le distributeur Liebherr ou contactez le fournisseur national de service Liebherr

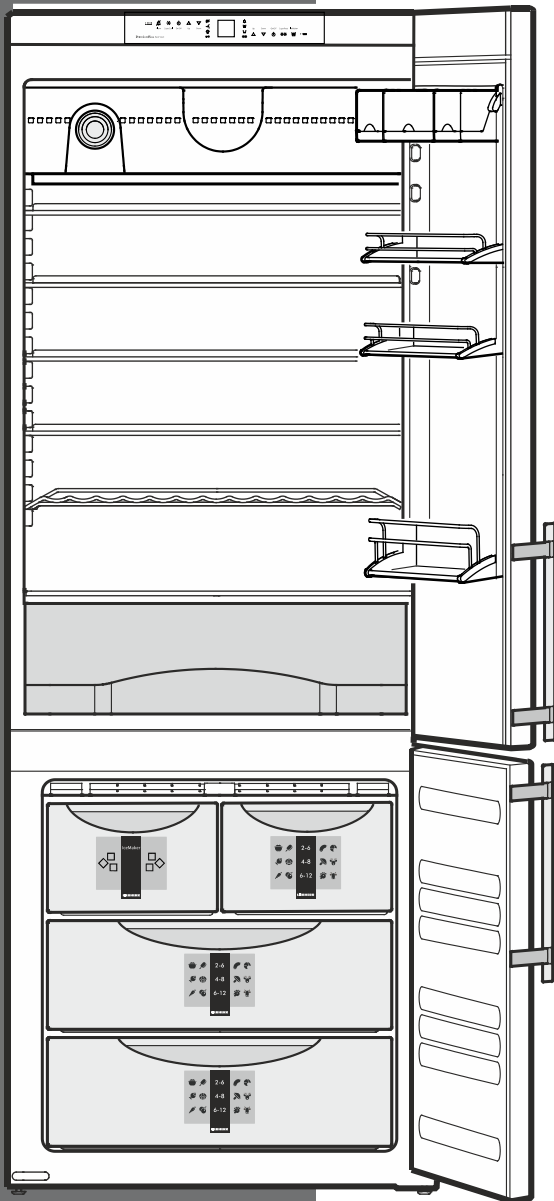
Aux États-Unis : à l'adresse Liebherr@adcoservice.com ou composez le 1-866-LIEBHERR (866-543-2437).

Au Canada : www.euro-parts.ca ou composez le 1-888-LIEBHERR (1-888-543-2437).

LIEBHERR

Instrucciones de manejo y de mantenimiento

Para combinados
frigorífico-congelador
NoFrost con IceMaker



CS 1660
7082 479-00

Le felicitamos por su nuevo aparato. Con esta adquisición se ha decidido por todas las ventajas de la tecnología del frío más moderna que le garantizará una alta calidad, una larga duración de vida y una gran seguridad funcional del aparato.

La dotación de su aparato le brinda diariamente el máximo confort de manejo.

Con este aparato, que está fabricado según procedimientos de protección medioambiental y empleando materiales reciclables, contribuimos activamente, tanto Vd. como nosotros, a la protección de nuestro medio ambiente.

A fin de conocer todas las ventajas del aparato y sacarle el máximo provecho, el usuario deberá leer atentamente estas instrucciones de manejo.

Nos queda desearle que disfrute mucho con su nuevo aparato.

Otros puntos a favor

- Sin CFC
- Circuito de frío optimizado
- Eficaz aislamiento
- Bajo consumo energético

- Fácil manejo - control electrónico
- Indicación de las funciones activadas
- Regulación de temperatura correspondiente al tipo climatológico independiente de la temperatura ambiente
- Desescarche automático del frigorífico y congelador: no es necesario dedicar tiempo y trabajo al desescarche

- Frigorífico de gran volumen útil
- Práctica dotación, de posición variable
- Baldas de vidrio de seguridad
- Congelador de gran volumen útil
- Fabricador de hielo automático
- Filtro de agua para la producción de hielo con agua de buena calidad

- Aviso en caso de temperatura congeladora insuficiente
- Alarma al estar la puerta abierta
- Indicación de corte de corriente eléctrica/FrostControl
- Función de congelación rápida 'según cantidad' de los alimentos a congelar
- Todos los cajones aptos para la congelación rápida

- Asas de transporte integradas en el aparato
- Rodillos de transporte

- Fácil limpieza

- La organización Star-K ha certificado este aparato como conforme al Sabbath, por lo tanto, se puede usar durante el reposo religioso. Si desea una información más detallada, visite Star-K en la web en www.star-k.org.

Índice	Página
Seguridad.....	56
Eliminación del aparato viejo.....	56
Seguridad eléctrica.....	56
Información importante sobre la seguridad.....	57
Generalidades.....	58
Eliminación del embalaje.....	58
Filtro de agua.....	59
Filtro de agua.....	59
Instalación del filtro de agua.....	59
Extracción del filtro de agua.....	59
Dotación.....	60
Descripción y dotación del aparato.....	60
Elementos de mando y control.....	61
Funcionamiento.....	62
Conexión/Desconexión del aparato.....	62
Ajuste de temperatura.....	62
Indicación de temperatura.....	63
Ventilación.....	63
Avisador acústico.....	63
Indicación de corte de corriente eléctrica/FrostControl.....	63
Función SuperCool.....	64
Modo de configuración.....	65 - 67
Compartimiento frigorífico.....	68
Reparto de los alimentos.....	68
Dotación.....	68
Iluminación interior.....	70
Compartimiento congelador.....	70
Congelación.....	70
Sistema de información.....	70
Congelar con SuperFrost.....	71
Sugerencias para congelar y almacenar.....	71
IceMaker.....	72
Advertencias generales y concernientes a la seguridad.....	72
Puesta en servicio.....	72
El fabricante de hielo durante las vacaciones.....	73
Limpieza.....	74
Desescarche, Vacaciones.....	75
Desescarche.....	75
Consejos para las vacaciones.....	75
¿Anomalías - Problemas?.....	76
¿Anomalías - Problemas en el fabricante de hielo?.....	77
Servicio Técnico.....	77
Informaciones sobre el aparato.....	77
Plan de garantía Liebherr.....	78

IMPORTANTE

Debido al continuo desarrollo tecnológico a favor de nuestros tipos y modelos pueden darse pequeñas divergencias en diseño, dotación y características del aparato, que no figuran en el presente manual de instrucciones.

SEGURIDAD

Por favor lea y siga estas instrucciones

Estas instrucciones contienen indicaciones de Advertencia y Precaución. Esta información es importante para una instalación y operación eficientes y seguras.

¡Siempre debe leer y seguir todas las indicaciones de Advertencia y Precaución!

PELIGRO

Indica un riesgo que originará lesiones graves o la muerte si no se siguen las prescripciones de seguridad.

ADVERTENCIA

Indica un riesgo que puede provocar lesiones graves o la muerte si no se tienen en cuenta las prescripciones de seguridad.

PRECAUCIÓN

Señala una situación en la cual pueden producirse lesiones menores o moderadas si no se siguen las instrucciones.

IMPORTANTE

Aquí se destaca la información que es especialmente relevante para una instalación sin problemas.

Asegúrese de que la tensión de red sea la misma que el valor nominal del aparato.

Para reducir el riesgo de incendio, descarga eléctrica, o lesiones personales, la tarea de instalación y el cableado eléctrico debe llevarlo a cabo un electricista cualificado de acuerdo con todos los códigos y estándares aplicables, incluyendo la construcción con protección contra incendios.

Eliminación del aparato viejo

PELIGRO

Riesgo de que los niños resulten atrapados. Antes de desechar su antiguo refrigerador o congelador:

- Asegúrese de seguir los requerimientos locales para la eliminación de los electrodomésticos. Los aparatos desechados pueden ser peligrosos.
- Quite las puertas.
- Retire los cajones del congelador.
- Deje las baldas y los estantes en su lugar de forma que los niños no puedan subirse al interior.
- Corte el cable de alimentación del aparato desechado. Elimínelo por separado del aparato.

Siguiendo estas instrucciones se reduce la posibilidad de causar heridas personales, especialmente a niños que estén jugando.

Para más información, póngase en contacto con la oficina de recogida de trastos en su zona.

Seguridad eléctrica

Conecte este aparato a un circuito de 110-120 V c.a. apto para 15 amperios y controlado por un disyuntor o un fusible. Este aparato debe tener su propio circuito separado con puesta a tierra. No utilice alargaderas.

El cable de alimentación está equipado con una clavija de tres bornes (con toma de tierra) para protegerle contra el posible peligro de electrocución. Para mantener esta protección:

- No modifique la clavija eliminando el borne redondo de puesta a tierra.
- No use un adaptador de dos bornes. Si tiene una toma de corriente de dos bornes en la pared, póngase en contacto con un electricista cualificado y haga que se lo cambien por una base de tres bornes de acuerdo con los reglamentos y las ordenanzas locales.
- No use un cable de alimentación que esté raído o dañado.

Información importante sobre la seguridad

Este aparato está destinado solamente al uso doméstico. Utilice el aparato solamente para el uso previsto, el almacenamiento de productos alimenticios. Siga las precauciones y advertencias de seguridad de este manual de instrucciones, incluyendo las siguientes:

- A fin de evitar daños personales y materiales, el aparato deberá desembalarse y emplazarse por dos personas.
- En el caso de apreciar daños en un aparato deberá consultarse inmediatamente con el distribuidor antes de proceder a su conexión.
- Para garantizar el funcionamiento seguro del aparato, proceda a su montaje y conexión sólo de acuerdo con las respectivas indicaciones de estas "Instrucciones de manejo".
- En caso de anomalía, desconecte el aparato de la red eléctrica desenchufando el cable o desactivando/retirando el fusible.
- En caso de desconectar el aparato de la red eléctrica, retire la clavija del enchufe. No tire el cable.
- Cualquier trabajo de reparación o mantenimiento deberá realizarse exclusivamente por personal autorizado del Servicio Técnico. De lo contrario podrían originarse riesgos considerables para el usuario. Lo mismo rige para la sustitución del cable de conexión.
- Los helados, sobre todo los elaborados con agua (polos) o los cubitos de hielo, no deberán ingerirse inmediatamente después de extraerlos del congelador. El bajo nivel de temperaturas produce "efectos de quemaduras".
- No consuma los alimentos pasados de la fecha de caducidad. Riesgo de intoxicación.
- El aparato está previsto para enfriar, congelar y almacenar alimentos, así como para la preparación de helados. Se ha concebido para su utilización en los hogares.
- El aparato no sirve para almacenar materias explosivas o envases a presión con propelentes inflamables (como butano, propano, pentano o similares). El gas de un escape fortuito podría inflamarse debido a los elementos eléctricos. Tales envases a presión suelen llevar impresa la composición de su contenido o el símbolo de la llama.
- No utilice aparatos eléctricos en el interior del aparato.
- No permita que los niños jueguen con el aparato. Los niños no deben subirse, sentarse ni situarse en las baldas, los cajones o la puerta.
- Para prevenir posibles heridas debidas a una electrocución, asegúrese de desconectar el cable de alimentación o de apagar el disyuntor antes de limpiar el aparato.
- Para prevenir posibles heridas o daños al aparato, no utilice aparatos de limpieza a vapor para limpiar el aparato.
- No haga funcionar el aparato en presencia de vapores explosivos.
- En caso de un corte de electricidad, reduzca al mínimo la apertura de la(s) puerta(s) del aparato. Proteja los alimentos colocando hielo seco encima de los paquetes o usando un almacén local de alimentos congelados si el fallo de suministro es de larga duración. No intente congelar de nuevo los alimentos que se hayan descongelado.
- Para evitar posibles heridas, ajuste las baldas y superficies sólo cuando estén vacías. No intente ajustar una balda o superficie con alimentos encima.
- Para proteger el aparato de posibles daños, deje el aparato en reposo de 1/2 a 1 hora antes de ponerlo en marcha. Esto permite que el refrigerante y la lubricación del sistema lleguen a un equilibrio.

SEGURIDAD

Generalidades

El aparato corresponde a la norma UL 250 / CSA C22.2 # 63 y está previsto para enfriar, congelar y almacenar alimentos, así como para la preparación de helados y de cubitos de hielo (si equipado con un preparador de cubitos de hielo). Se ha concebido para su utilización en los hogares.

El aparato está previsto para el funcionamiento a determinadas temperaturas ambiente, ¡que no deberán sobrepasarse ni en exceso, ni en defecto! El tipo climatológico correspondiente a su aparato figura en la placa del modelo.

Los símbolos de los tipos climatológicos son los siguientes:

Tipo climático	Temperaturas ambiente
SN	50°F a 90°F (10°C a 32°C)
N	61°F a 90°F (16°C a 32°C)
ST	61°F a 100°F (16°C a 38°C)
SN-ST	50°F a 100°F (10°C a 38°C)
SN-T	50°F a 109°F (10°C a 43°C)
T	61°F a 109°F (16°C a 43°C)

Con anterioridad a la puesta en servicio se recomienda limpiar a fondo el interior y exterior del aparato (véase el capítulo **Limpieza**). El aparato deberá conectarse algunas horas antes de proceder a la primera introducción de alimentos ultracongelados. En todo caso deberá disponerse de una temperatura mínima de 0°F (-18°C).



ADVERTENCIA

No permita que los niños jueguen con el aparato. Los niños no deben subirse a los cajones del aparato, ni sentarse o ponerse encima. Hay riesgo que puede provocar lesiones graves o la muerte si no tienen en cuenta las prescripciones de seguridad.



PRECAUCIÓN

A fin de evitar daños personales y materiales, haga que dos personas desembalen y trasladen este aparato a su lugar.



PRECAUCIÓN

Proteja la superficie de acabado del suelo antes de desembalar el aparato.

Hay que evitar la colocación del aparato al lado de una ventana, donde lo alcance directamente el calor solar, o junto al horno, al hogar, a la calefacción u otras fuentes de calor. Encima del aparato no deberán colocarse los electrodomésticos que emiten calor (tostadores, hornos microondas y similares).

El suelo debajo del aparato ha de estar plano y nivelado.

Mantenga el aparato fuera de la intemperie. No deberán obstruirse las aperturas de aireación, procurando que siempre exista una buena ventilación alrededor del aparato.

En cuanto haya desembalado el aparato:

- Examine el aparato y el embalaje por si han sufrido daños en el transporte. Póngase en contacto inmediatamente con el transportista si sospecha que hay algún daño.
- Anote el tipo (número del modelo), índice, número de serie, fecha de compra y lugar de compra en los espacios previstos en la tapa trasera de este manual.

Eliminación del embalaje

El embalaje protector del aparato y de elementos sueltos se ha fabricado con materiales reciclables.



ADVERTENCIA

Los materiales de embalaje no son juguetes para los niños. Peligro de asfixia con láminas o bolsas de plástico.

- La devolución del embalaje al ciclo de reciclaje ahorra materias primas y contribuye a la descongestión de los vertederos. Por consiguiente deberá entregarse en un punto de recogida específica.

Filtro de agua - Figura 1

Antes de encender el aparato, instale el filtro de agua suministrado en la pared de fondo del compartimiento frigorífico. Esto asegura una buena calidad de los cubitos de hielo y mantiene el circuito exento de sólidos, tales como la arena.

El aparato también puede funcionar sin filtro de agua. Recomendamos el funcionamiento con filtro de agua para asegurar una mejor calidad del agua.

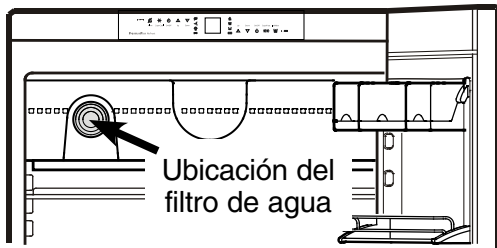
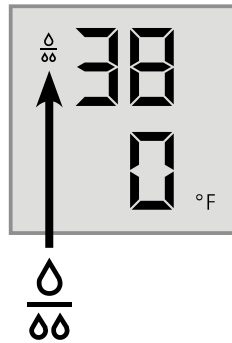


Figura 1

Reemplace el filtro cuando la pantalla de temperatura muestre el símbolo de la gota.

Se pueden obtener filtros de su Representante o Distribuidor Liebherr.



⚠ ADVERTENCIA

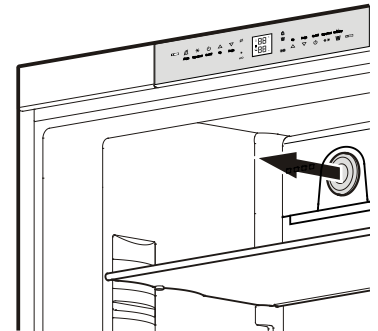
Para evitar el riesgo de formación de bacterias ¡debe cambiar el filtro de agua cuando aparezca el símbolo de la gota en la pantalla!

NOTA IMPORTANTE

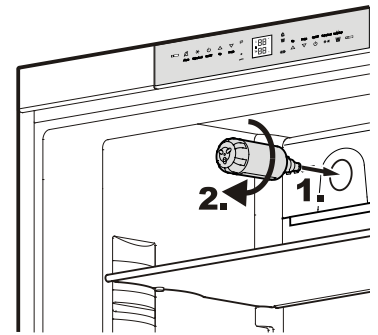
No es necesario apagar el suministro de agua cuando se retire o se instale el filtro de agua.

Instalación del filtro de agua - Figura 2, Figura 3

1. Quite la tapa del receptáculo para el filtro.

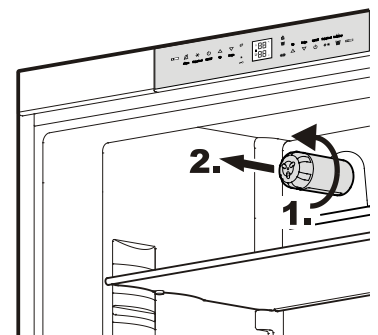


2. Inserte el filtro y rótelo 90° en el sentido horario.



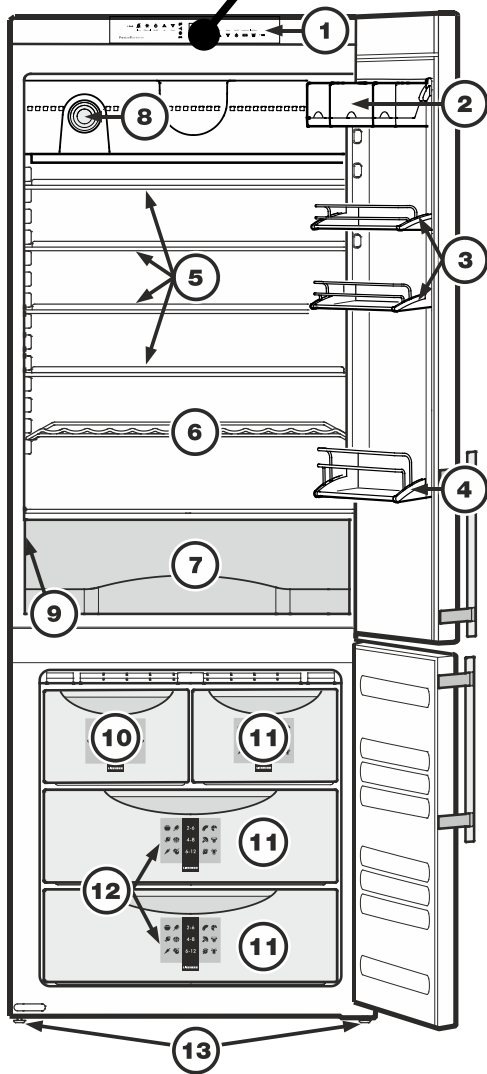
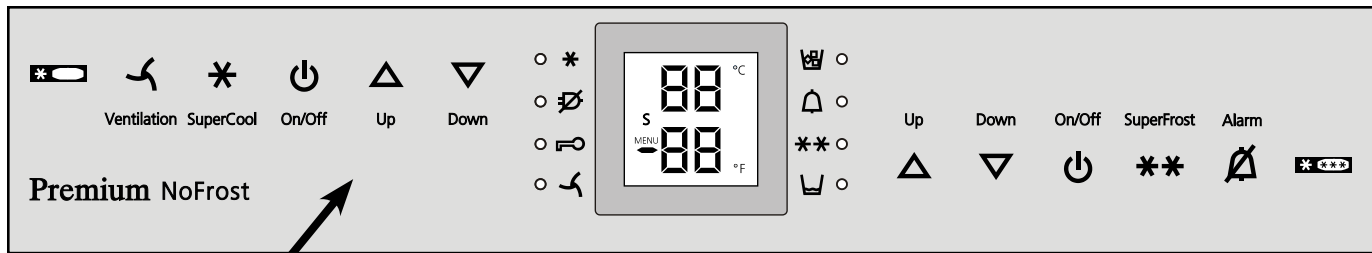
Extracción del filtro de agua - Figura 4

3. Gire el filtro 90° en sentido antihorario y retírelo.



DOTACIÓN

Descripción y dotación del aparato - Figura 5



Descripción del frigorífico

- (1) Elementos de mando y control
- (2) Compartimiento para mantequilla y queso - Vario Box
- (3) Estantes de puerta desplazables
- (4) Estante para botellas grandes
- (5) Baldas adaptables en altura
- (6) Balda de rejilla para botellas
- (7) Cajón para fruta/verdura
- (8) Filtro de agua
- (9) Placa de características (detrás del cajón para fruta/verdura a la izquierda)

Descripción del congelador

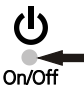
- (10) Fabricador de hielo IceMaker (dentro del cajón)
- (11) Cajón del congelador
- (12) Sistema de información
- (13) Patas (regulables en altura)

Figura 5

ELEMENTOS DE MANDO Y CONTROL

Elementos de mando y control - Figura 6, Figura 7

El panel de mandos electrónico tiene la “**Tecnología de contacto**”. Se puede activar cualquier función pulsando con un dedo los iconos de funcionamiento.

El punto exacto de contacto está entre el símbolo y el rótulo 

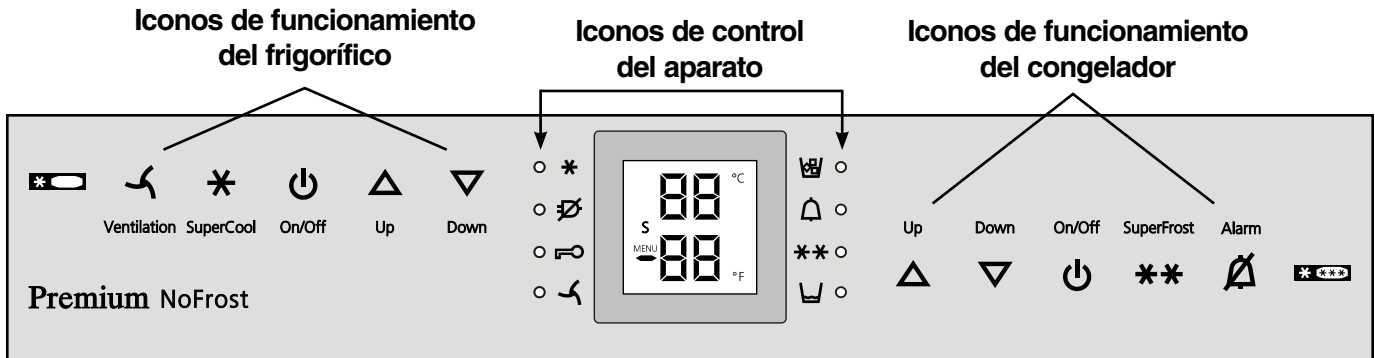


Figura 6

Iconos de funcionamiento del frigorífico	Iconos de control del aparato	Iconos de funcionamiento del congelador
Ventilación On/Off (recirculación)	Piloto LED de corte de corriente	Icono de ajuste Up (para aumentar la temperatura del congelador)
SuperCool	Piloto LED SuperCool	Icono de ajuste Down (para disminuir la temperatura del congelador)
Frigorífico On/Off (ENCENDIDO/APAGADO)	Piloto LED de protección contra manipulaciones infantiles	Congelador On/Off (ENCENDIDO/APAGADO)
Icono de ajuste Up (para aumentar la temperatura del frigorífico)	Piloto LED de alarma	SuperFrost
Icono de ajuste Down (para disminuir la temperatura del frigorífico)	Piloto LED de fabricante de hielo ENCENDIDO	Apagar avisador acústico (frigorífico y congelador)
	Piloto LED SuperFrost	
	Piloto LED de ventilación ENCENDIDA	

Pantalla de temperatura y control

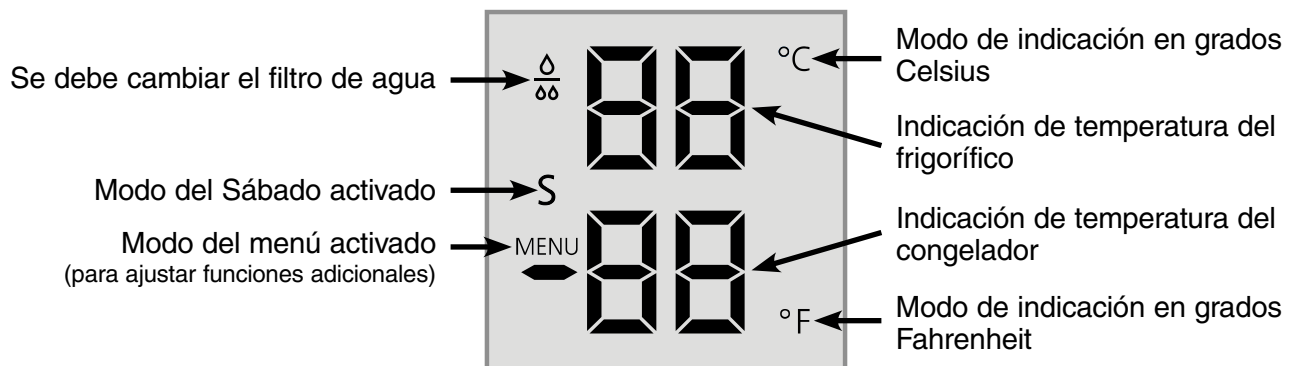


Figura 7

FUNCIONAMIENTO

Conexión/Desconexión del aparato - Figura 8

Se recomienda limpiar el aparato antes de ponerlo en servicio (véase el capítulo **Limpieza**).

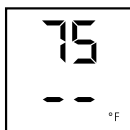
No introduzca alimentos congelados en el congelador, antes de disponerse de una temperatura mínima de 0°F (-18°C). El frigorífico y el congelador podrán funcionar con independencia el uno del otro.

1. Conexión:

Pulse el icono On/Off del frigorífico

y el icono On/Off del congelador

de modo que las respectivas indicaciones de temperatura se encienden.



Con la puerta del frigorífico abierta está encendida la iluminación interior.

2. **Desconexión:** para apagar el frigorífico o el congelador, pulse el icono On/Off correspondiente durante aproximadamente 3 segundos para que la pantalla de temperatura y las luces interiores se apaguen.

Ajuste de temperatura - Figura 8

El aparato se suministra de serie con el ajuste de temperatura para el funcionamiento normal. Se recomienda 38°F (3°C) para el frigorífico y 0°F (-18°C) para el congelador.

Bajar la temperatura (frío más intenso):

Pulse el icono DOWN de la izquierda para disminuir la temperatura del frigorífico

y el icono DOWN de la derecha para disminuir la temperatura del congelador.

Subir la temperatura (frío menos intenso):

Pulse el icono UP de la izquierda para aumentar la temperatura del frigorífico

y el icono UP de la derecha para aumentar la temperatura del congelador.

1. Durante la selección de temperatura, el sistema indicará **el valor de ajuste parpadeando**.
2. Cuando se pulsan los iconos de ajuste de temperatura por primera vez, la pantalla muestra los valores más recientes.
3. Pueden cambiarse los valores en incrementos de 1°F (1°C) pulsando los iconos brevemente. Si los iconos se mantienen apretados los valores de temperatura cambiarán más rápidamente.
4. Aproximadamente 5 segundos después de liberar el icono, la pantalla mostrará automáticamente la temperatura de congelación o refrigeración real.
5. Los márgenes de la selección de temperatura se hallan para el
 - **frigorífico** entre 36°F y 44°F (2°C y 7°C) y para el
 - **congelador** entre -15°F y 6°F (-26°C y -14°C).

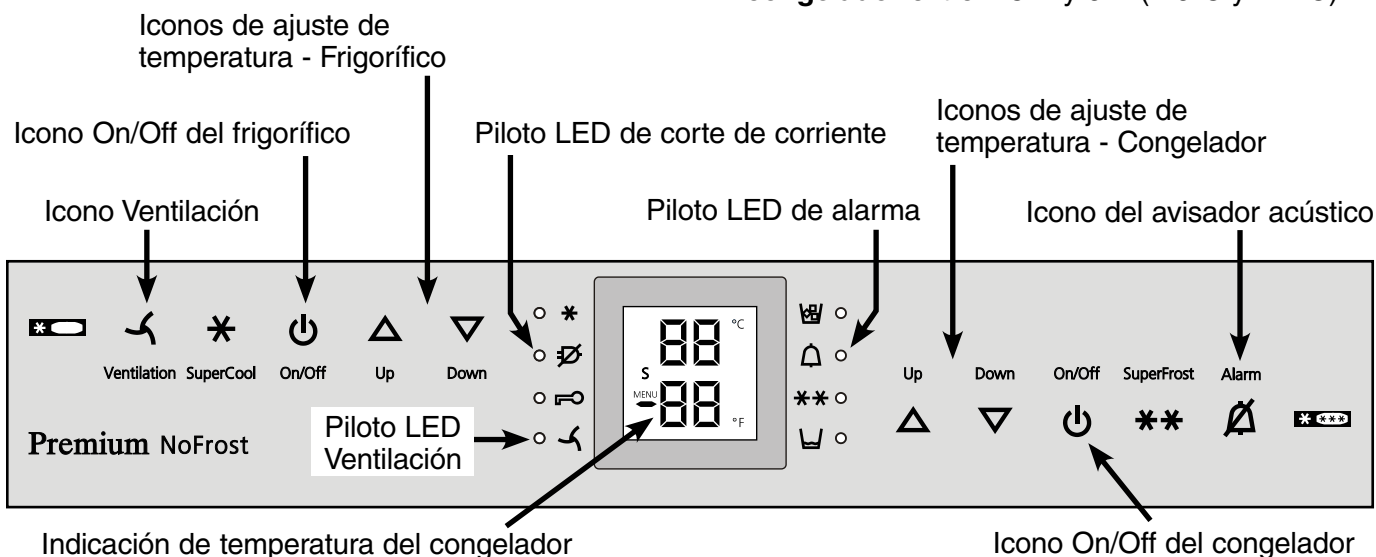


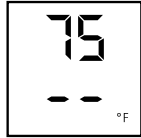
Figura 8

Indicación de temperatura - Figura 8

Con funcionamiento normal luce:

- en la pantalla para el frigorífico, la temperatura media,
- en la pantalla para el congelador, la temperatura más caliente de los productos congelados.

Cuando se inicia por primera vez o cuando el aparato está templado, la pantalla mostrará la temperatura del congelador con guiones, hasta que la temperatura en el compartimiento congelador sea de 32°F (0°C).



La indicación parpadea,

- cuando se modifica la temperatura y
- cuando la temperatura haya subido en unos grados (como advertencia de una pérdida de frío). Suele ocurrir, cuando, p. ej., al introducir alimentos a temperatura ambiente o cuando al extraer/recolocar alimentos ultracongelados entra aire caliente.
- En el caso de aparecer en la indicación "F1" hasta "F5", se trata de una anomalía del sistema. Es preciso dirigirse al Servicio Técnico, comunicando tal mensaje.



Ventilación - Figura 8

El interruptor de ventilación se usa para aire fresco recirculado:

Puede usar el interruptor según lo necesite para:

- enfriar grandes cantidades de alimentos frescos rápidamente.
- mantener la temperatura distribuida uniformemente dentro de todo el compartimiento del frigorífico. El aire circulará más intensamente, manteniendo todas las áreas diferentes del compartimiento a la misma temperatura y asegurando que todos los alimentos que contenga se enfríen a la misma temperatura.

Le recomendamos usar el ventilador si:

- la temperatura ambiente es demasiado alta (aproximadamente 95°F [35°C] o más).
- la humedad relativa del aire es alta, en temporadas de mucho calor y humedad.
- **Conexión:** pulse el icono Ventilation brevemente para encender el piloto LED .
- **Desconexión:** pulse nuevamente el icono SuperCool hasta que se apague el piloto LED .

Avisador acústico - Figura 8


Este dispositivo sirve para proteger la calidad de los alimentos almacenados en el congelador y ahorrar energía.

La señal acústica se silencia pulsando el icono del avisador acústico.

Avisador acústico de la puerta

La señal acústica se disparará siempre, cuando la puerta permanece abierta más de 180 seg. La desactivación de la señal acústica es efectiva mientras que la puerta esté abierta. Una vez cerrada, el sistema de alarma vuelve a estar automáticamente en disposición de servicio.

Avisador acústico de la temperatura


La señal acústica se disparará siempre, cuando la temperatura congeladora resulte insuficiente. La *indicación de temperatura y el piloto LED de alarma  parpadearán* al mismo tiempo.

La causa puede ser:

- la introducción de alimentos a temperatura ambiente,
- la entrada de demasiado aire del ambiente al recolocar o extraer ultracongelados
- una falla en el aparato.

La indicación de temperatura *parpadeará* hasta que se haya eliminado la situación de "alarma", cambiando el sistema del parpadeo a encendido continuo. Con ello, el avisador acústico vuelve a estar automáticamente *en disposición de servicio*.

Indicación de corte de corriente eléctrica/FrostControl - Figura 8

Si se enciende el piloto LED de corte de corriente , significa que la temperatura del congelador ha **aumentado** demasiado durante las últimas horas o días debido a una falla en el suministro eléctrico. La indicación de temperatura del congelador parpadea al mismo tiempo.

- Si pulsa el icono del avisador acústico ahora, se mostrará la temperatura más alta registrada durante la falta de corriente.
- Según el aumento de temperatura producido o incluso la descongelación de los ultracongelados, será preciso comprobar la calidad de los alimentos.
- Esta temperatura de menor frío ("la más caliente") aparecerá durante aprox. 1 minuto. Después el sistema electrónico reflejará la temperatura real del congelador.

La indicación se puede apagar pulsando de nuevo el icono del avisador acústico.

FUNCIONAMIENTO

Función SuperCool - Figura 9

Si pulsa el icono SuperCool, el compartimiento frigorífico cambia a enfriamiento máximo. Se recomienda especialmente para enfriar una mayor cantidad de alimentos, bebidas, repostería o comida recién hecha lo más rápidamente posible.

- **Conexión:** pulse el icono SuperCool brevemente para encender el piloto LED ✱. La temperatura de refrigeración baja hasta alcanzar su valor mínimo.

IMPORTANTE

SuperCool requiere un aumento del consumo energético, pero después de aprox. 6 horas el sistema electrónico cambiará automáticamente al funcionamiento normal de ahorro energético. Según necesidad, la función SuperCool podrá desactivarse anticipadamente.

- **Desconexión:** pulse nuevamente el icono SuperCool hasta que se apague el piloto LED ✱

Modo de configuración - Figura 9

En el Modo de configuración se pueden activar las funciones siguientes:

☰ = Modo del Sábado

ℓ = Intensidad luminosa de la indicación

□ = Modo de indicación de temperatura

☒ = Cantidad de agua para la cubitera

⌋ = Estado de vacaciones del preparador de cubitos de hielo

⌘ = Reset del símbolo de la gota

⌘ = Protección contra la manipulación por parte de niños

Cómo activar el Modo de configuración

- Pulse el icono **SuperFrost** durante aproximadamente cinco segundos.
 - El **piloto LED SuperFrost ✱✱** se enciende durante 5 segundos.
 - Después de 5 segundos, ⌘ va a parpadear en la pantalla.

Ahora el aparato se encuentra en Modo de configuración.

Puede seleccionar las funciones del Modo de configuración pulsando los iconos **Up/Down** del compartimiento congelador.

Nota

En el Modo de configuración, la pantalla parpadeará continuamente.

Salir del Modo de configuración:

- Pulse el icono **On/Off** del compartimiento congelador. El aparato volverá a su funcionamiento normal.

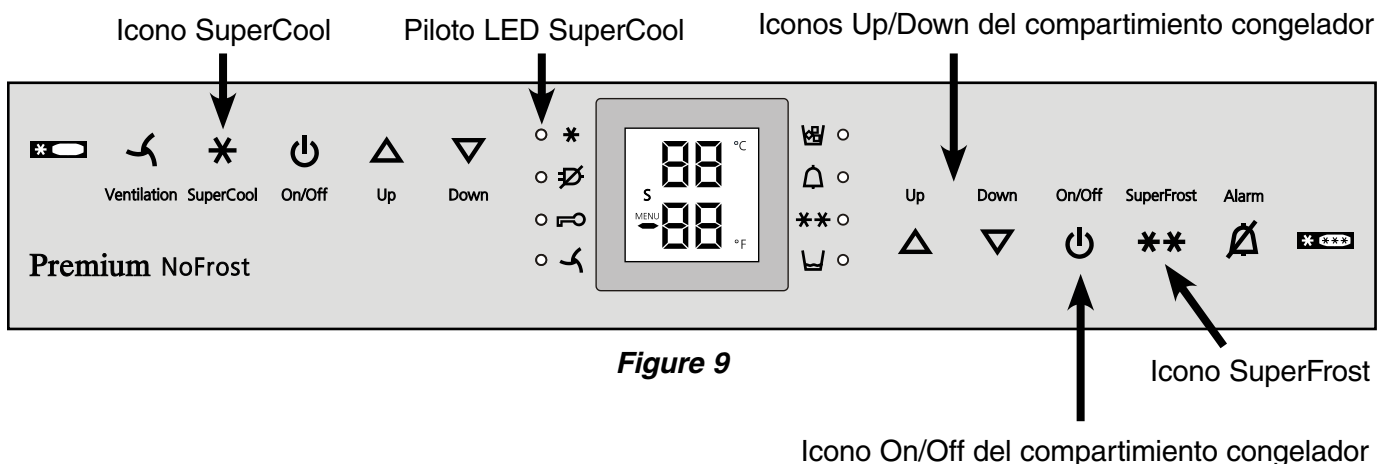


Figure 9



☞ = Modo del Sábado

Esa característica toma en cuenta las exigencias religiosas del Sábado y de las Fiestas. Cuando el Modo del Sábado está activado, algunas funciones de los controles electrónicos están apagadas.

La puerta puede ser abierta y cerrada en cualquier momento.


- La iluminación queda apagada.
- El ventilador de enfriamiento queda en su estado actual: si funciona, sigue funcionando, y si está apagado, queda apagado.
- No hay alarma de puerta.
- No hay alarma de temperatura.
- Los ciclos de desescarche son independientes de la frecuencia y del tiempo de abertura de la puerta.
- El aparato va a volver al Modo del Sábado después de un apagón.

Cómo activar el Modo del Sábado

- Active el Modo de configuración pulsando el icono **SuperFrost** durante 5 segundos.
 - La pantalla muestra ☞
- Pulse el icono **SuperFrost**.
 - La pantalla muestra 
- Pulse de nuevo el icono **SuperFrost**.
 - La pantalla muestra 
 - El Modo del Sábado ha sido activado.
- Salga del Modo de configuración pulsando el icono **On/Off** del compartimiento congelador.


El modo del Sábado se desactiva de forma automática al cabo de 120 horas si no se desactiva antes manualmente.

Cómo desactivar el Modo del Sábado

- Active el Modo de configuración pulsando el icono **SuperFrost** durante 5 segundos.
 - La pantalla muestra ☞
- Pulse el icono **SuperFrost**.
 - La pantalla muestra 
- Pulse de nuevo el icono **SuperFrost**.
 - El símbolo ☞ desaparece de la pantalla, el Modo del Sábado ha sido desactivado.
- Salga del Modo de configuración pulsando el icono **On/Off** del compartimiento congelador.

h = Brillo de la pantalla

Cómo ajustar el brillo de la pantalla

- Active el Modo de configuración pulsando el icono **SuperFrost** durante 5 segundos.
- Pulse el icono **Down del compartimiento congelador** hasta que aparezca h en la pantalla de temperatura del congelador.
- Pulse el icono **SuperFrost**.
 - La pantalla muestra 
- Pulse los iconos **Up/Down del compartimiento congelador** para seleccionar:
 - h 0 = mínimo a
 - h 5 = máximo brillo.
- Al alcanzar el valor deseado, pulse el icono **SuperFrost**.
- Salga del Modo de configuración pulsando el icono **On/Off** del compartimiento congelador.

FUNCIONAMIENTO

Modo de configuración - Figura 10


□ = Modo de indicación de temperatura

Puede elegir la **unidad de temperatura** para que se muestre en grados Fahrenheit o en grados Celsius.

Nota

El ajuste de fábrica es en grados Fahrenheit.

Cómo cambiar la indicación de temperatura a grados Celsius

- Active el Modo de configuración pulsando el icono **SuperFrost** durante 5 segundos.
- Pulse el icono **Down del compartimiento congelador** hasta que aparezca □ en la pantalla de temperatura del congelador.
- Pulse el icono **SuperFrost**.
- La pantalla muestra 
- Pulse de nuevo el icono **SuperFrost**.
- Ahora se muestra la temperatura en grados Celsius.
- Salga del Modo de configuración pulsando el icono **On/Off** del compartimiento congelador.

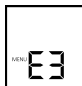
Nota

Para cambiar nuevamente la indicación de temperatura a grados Fahrenheit, siga los pasos mencionados anteriormente.

E = Cantidad de agua para la cubitera

Si los cubitos de hielo que produce el fabricante de hielo son muy pequeños, se puede ajustar la cantidad de agua.

Cómo ajustar la cantidad de agua

- Active el Modo de configuración pulsando el icono **SuperFrost** durante 5 segundos.
- Pulse el icono **Down del compartimiento congelador** hasta que aparezca E en la pantalla de temperatura del congelador.
- Pulse el icono **SuperFrost**.
- La pantalla muestra 
- Pulse el icono **Up del compartimiento congelador** una vez solamente para que aparezca E4 en la pantalla.



PRECAUCIÓN

No aumente a más de un paso. Si el valor es demasiado alto, la cubitera del fabricante de hielo podría desbordarse.

- Pulse de nuevo el icono **SuperFrost**.
- Salga del Modo de configuración pulsando el icono **On/Off** del compartimiento congelador.

Verifique el tamaño de los cubitos de hielo en los próximos días. Si los cubitos de hielo todavía son más pequeños de lo deseado, repita los pasos anteriores de nuevo.

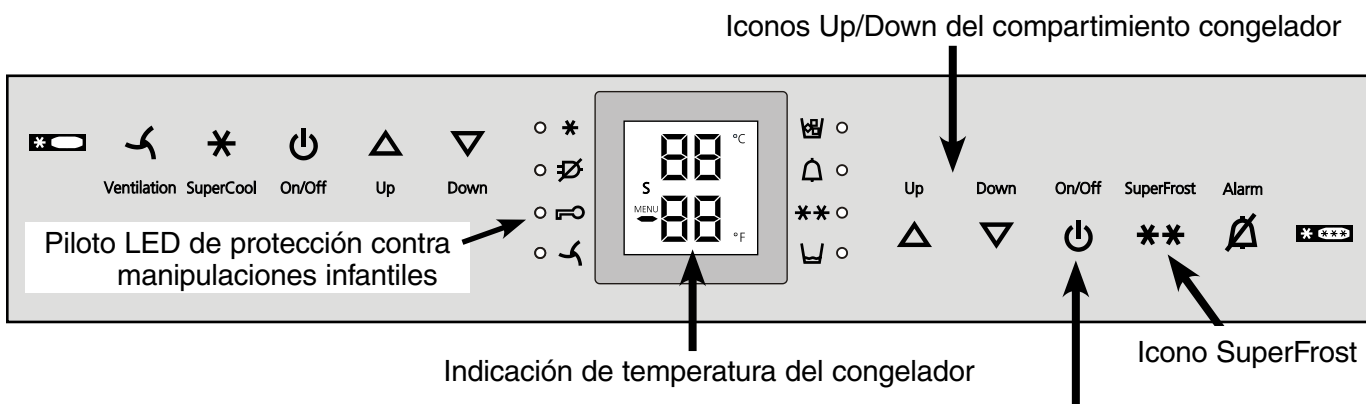


Figura 10 Icono On/Off del compartimiento congelador

! = Estado de vacaciones del fabricante de hielo



Vea el capítulo "IceMaker" para obtener más información.

F = Reset del símbolo de la gota

Una vez reemplazado el filtro de agua, debe hacerse desaparecer el símbolo de la gota en el display.




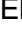
Cómo hacer desaparecer el símbolo de la gota

- Active el Modo de configuración pulsando el icono **SuperFrost** durante 5 segundos.
- Pulse el icono **Down del compartimiento congelador** hasta que aparezca **F** en la pantalla de temperatura del congelador.
- Pulse el icono **SuperFrost**.
- La pantalla muestra 
- Pulse de nuevo el icono **SuperFrost**.
- La pantalla muestra 
- El símbolo de la gota desaparece.
- Salga del Modo de configuración pulsando el icono **On/Off** del compartimiento congelador.



⊞ = Protección contra la manipulación por parte de niños

Mediante el sistema de protección contra manipulación por parte de niños podrá impedirse la desconexión no deseada del aparato

Cómo activar la protección contra la manipulaciones por parte de niños

- Active el Modo de configuración pulsando el icono **SuperFrost** durante 5 segundos.
- Pulse el icono **Down del compartimiento congelador** hasta que aparezca **⊞** en la pantalla de temperatura del congelador.
- Pulse el icono **SuperFrost**.
- La pantalla muestra 
- Pulse de nuevo el icono **SuperFrost**.
- El piloto LED  se enciende y se activa la protección contra manipulación por parte de niños.
- Salga del Modo de configuración pulsando el icono **On/Off** del compartimiento congelador.

Cómo desactivar la protección contra la manipulaciones por parte de niños

- Active el Modo de configuración pulsando el icono **SuperFrost** durante 5 segundos.
- Pulse el icono **Down del compartimiento congelador** hasta que aparezca **⊞** en la pantalla de temperatura del congelador.
- Pulse el icono **SuperFrost**.
- La pantalla muestra 
- Pulse de nuevo el icono **SuperFrost**.
- El piloto LED  se apaga. La protección contra manipulación por parte de niños ha sido desactivada.
- Salga del Modo de configuración pulsando el icono **On/Off** del compartimiento congelador.

COMPARTIMIENTO FRIGORÍFICO

Reparto de los alimentos - Figura 11

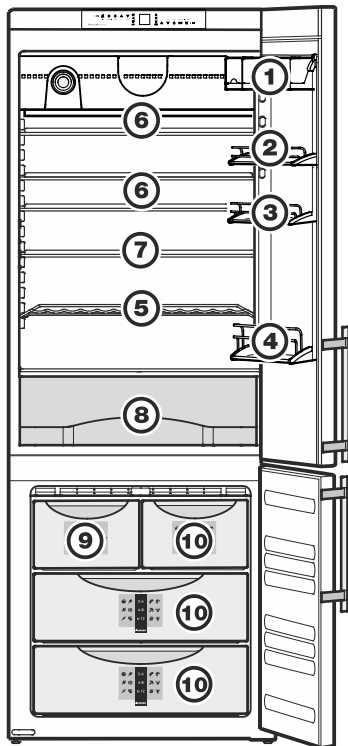


Figura 11

- (1) Mantequilla, queso
- (2) Huevos
- (3) Bebidas, latas
- (4) Contenedores de un volumen de 1 galón
- (5) Botellas
- (6) Carne, embutido, productos lácteos
- (7) Pan, repostería, alimentos precocinados
- (8) Fruta, verdura, lechuga
- (9) Cubitos de hielo
- (10) Alimentos congelados

IMPORTANTE

- *Guarde los alimentos que desprenden/absorben olores/sabores, así como líquidos en recipientes tapados.*
- *Almacene el alcohol de muchos grados tan sólo herméticamente cerrado y en posición vertical.*
- *Fruta, verdura y lechuga pueden almacenarse en el cajón (8) sin embalaje.*

Dotación



ADVERTENCIA

Para evitar posibles lesiones, ajuste únicamente baldas o estantes en la cara interior de la puerta, que estén vacíos. No intente ajustar una balda o un estante en la cara interior de la puerta, que tenga alimentos.

Las baldas y los estantes de la cara interior de la puerta son modificables en altura según conveniencia.

Desplazar los estantes (cara interior de puerta) - Figura 12

Levante el estante de su posición, extráigalo hacia adelante y vuelva a colocarlo a la inversa.

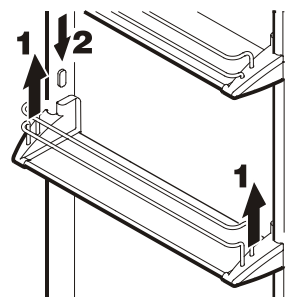


Figura 12

Vario Box - Figura 13

Es posible extraer las cajas y colocarlas como un todo sobre la mesa.

Cambio de cajas: retírelas tirando hacia arriba y vuelva a colocarlas en el lugar que desee.

La barra de sujeción para las cajas se puede sacar hacia arriba y colocar en otra posición (p. ej. cambiándola con un estante).

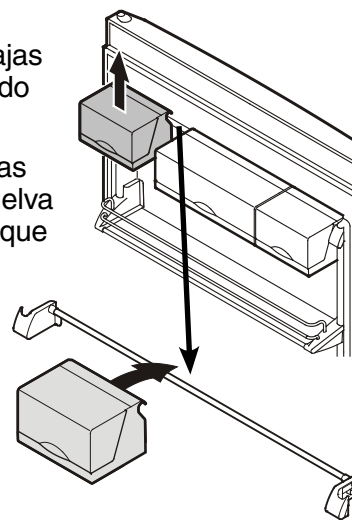


Figura 13

¡Atención! Las tapas de las cajas tienen que estar cerradas al cerrar la puerta - peligro de daños materiales.

Balda de rejilla para botellas - Figura 14

Con la balda de rejilla para botellas se obtiene una superficie suplementaria para enfriar bebidas.

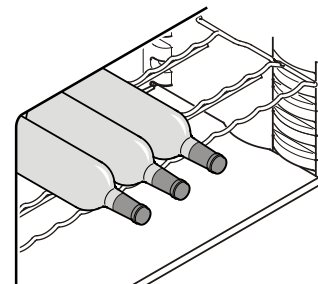
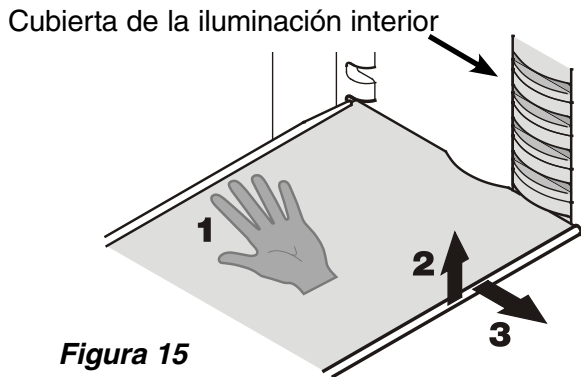


Figura 14

COMPARTIMIENTO FRIGORÍFICO

Desplazar las baldas - Figura 15

1. Sostenga la balda con la mano para evitar que se vuelque hacia atrás al extraerla.
2. Levante el frente de la balda.
3. Extraiga la balda hacia adelante hasta que el recorte circular de la balda esté en línea con la cubierta de la iluminación interior.
4. Levante o baje la balda y colóquela en la posición deseada.



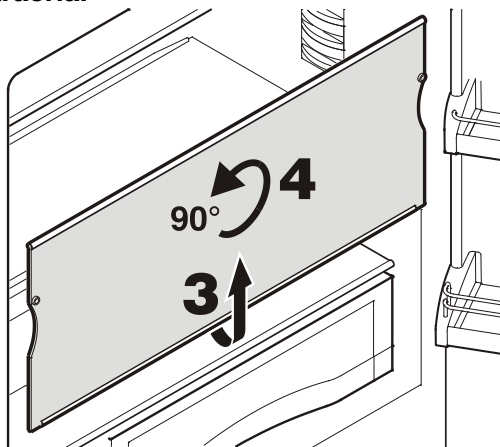
Extracción de las baldas - Figura 16

1. Siga los tres primeros pasos del capítulo anterior.
2. Baje la balda y deténgase justo sobre el cajón para fruta/verdura superior.
3. Mueva el frente de la balda hacia arriba hasta que se encuentre en posición vertical.
4. Gire la balda 90° en sentido antihorario y retírela.



ADVERTENCIA

Para evitar que se caiga, siempre sostenga la balda con ambas manos al extraerla.

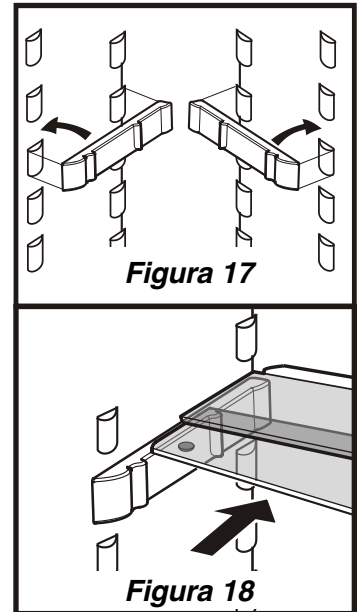


Se puede conseguir más espacio para envases altos

Inserte las guías portantes que se adjuntan a la altura deseada a derecha e izquierda sobre los botones de apoyo - **Figura 17**.

Introduzca las baldas de vidrio según fig. 18. La balda de vidrio con borde del tope debe quedar detrás.

Si necesita espacio para recipientes altos, deslice simplemente la **media** balda de vidrio **delantera** con cuidado debajo de la balda trasera - **Figura 18**.

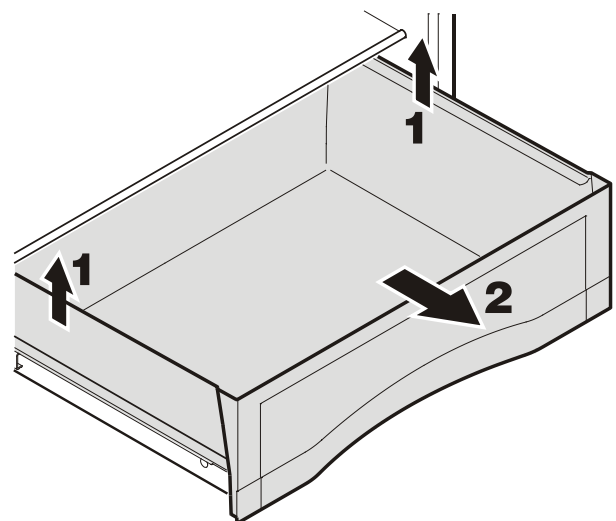


Extracción del cajón para fruta/verdura

Extraiga del todo el cajón, cójalo de la parte posterior y levántelo - **Figura 19**.

Colocación del cajón para fruta/verdura

Coloque el cajón en las guías completamente extraídas (las guías tienen que encajar en la parte frontal del cajón) e introdúzcalo.



Iluminación interior

La iluminación interior está dispuesta en los lados derecho e izquierdo del frigorífico (**Figura 20**). Se ilumina cuando se abre la puerta del frigorífico.

Además, la parte inferior de la puerta del frigorífico lleva un listón de iluminación, que se enciende cuando se abre la puerta del congelador para iluminar su interior.

⚠ ADVERTENCIA

La iluminación interior emite radiación láser clase 1M. NO la mire directamente ni a través de instrumentos ópticos cuando se quite el difusor de luz. Puede dañarse seriamente la vista.

La iluminación se apaga automáticamente si una de las puertas permanece abierta durante más de 15 minutos. Al mismo tiempo, suena el avisador acústico.

Si una de las luces no está encendida, está defectuosa.

⚠ ADVERTENCIA

¡La iluminación interior sólo la podrá cambiar el Servicio Técnico o una persona especialmente formada!

¡No trate de cambiar la luz defectuosa usted mismo!

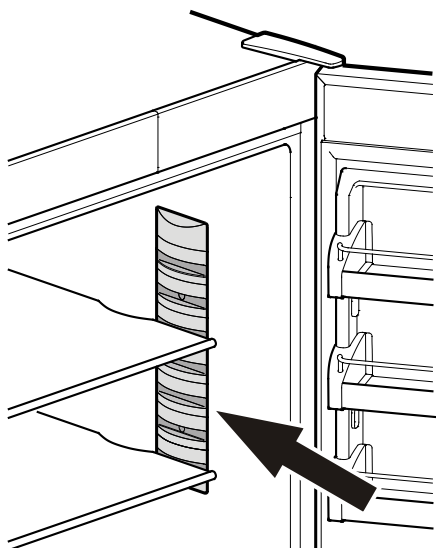


Figura 20

Congelación

El proceso de congelación total de los alimentos frescos tiene que ser rápido. Para este cometido sirve la función SuperFrost. Tan sólo así se conservarán las riquezas alimenticias, el color y sabor natural de los alimentos.

Sistema de información - Figura 21

Los alimentos congelados se deben consumir durante el período de almacenamiento recomendado. Las cifras que hay entre los símbolos indican la duración del almacenamiento en meses, en cada caso para varios tipos de congelados. En el caso de los tiempos de almacenamiento indicados se trata de recomendaciones orientativas. La validez de los límites superiores o inferiores depende de la calidad de los alimentos y su preparación previa al proceso de congelación. Para alimentos grasientos siempre rige el tiempo más breve.

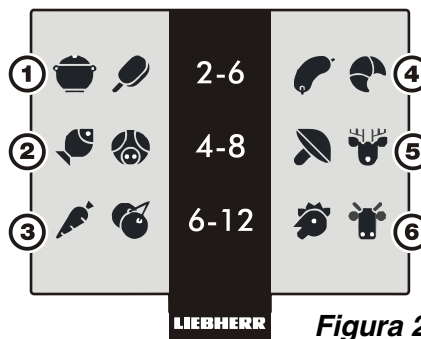


Figura 21

- (1) Platos precocinados, helados
- (2) Pescado, carne de cerdo
- (3) Verdura, fruta
- (4) Salchichas, pan
- (5) Setas, carne de caza
- (6) Aves, carne de vacuno

COMPARTIMIENTO CONGELADOR

Congelar con SuperFrost - Figura 22

- Pulse el icono **SuperFrost** brevemente de modo que se encienda el piloto LED ******.
- Espere 24 horas.
- Coloque a continuación los alimentos frescos en el congelador.
- La función SuperFrost se desactivará automáticamente según la cantidad de alimentos introducidos y -como muy pronto- después de 30 horas o -como muy tarde- pasadas 65 horas.

Una vez concluido el proceso congelador (el piloto LED ****** de SuperFrost se apaga), el congelador vuelve a su funcionamiento normal de ahorro energético.

IMPORTANTE

No es necesario activar la función SuperFrost

- *al introducir alimentos ultracongelados,*
- *al congelar a diario pequeñas cantidades de alimentos frescos de hasta aprox. 4-1/2 lbs (2 kg).*

Sugerencias para congelar y almacenar

- Embale los alimentos ultracongelados en bolsas de plástico especiales para la congelación de alimentos o recipientes reutilizables de material sintético o de metal (aluminio).
- Hay que procurar que los alimentos recién introducidos no contacten con los productos ultracongelados. Los envases tienen que estar exteriormente secos, para evitar que queden “pegados” entre sí.
- Para evitar el deterioro de los alimentos, marque los envases con fecha y contenido. ¡No pase nunca de las fechas tope de caducidad recomendadas!
- Los alimentos de congelación casera siempre deberán envasarse en raciones apropiadas de acuerdo con las necesidades de cada caso. A fin de que la congelación se realice con la mayor rapidez posible, hay que atenerse a las siguientes cantidades máximas por envase:
 - Fruta, verdura = hasta 2-1/4 lbs (1 kg)
 - Carne = hasta 5-1/2 lbs (2,5 kg)
- No congele jamás latas o botellas con bebidas gaseosas, ya que reventarían. ¡Al enfriar bebidas rápidamente, las botellas han de sacarse del congelador a la hora de haberlas introducido!
- Extraiga solamente la cantidad que se necesitará realmente. Elabore los alimentos descongelados lo más rápidamente posible, preparando platos de consumo inmediato o precocinados. Existen varios procedimientos de descongelación:
 - en el horno microondas
 - en el frigorífico: es el procedimiento de descongelación lo más seguro porque la posibilidad de generación de gérmenes es reducida al mínimo. Este procedimiento se recomienda para alimentos de alta densidad, p. ej. asados o aves.

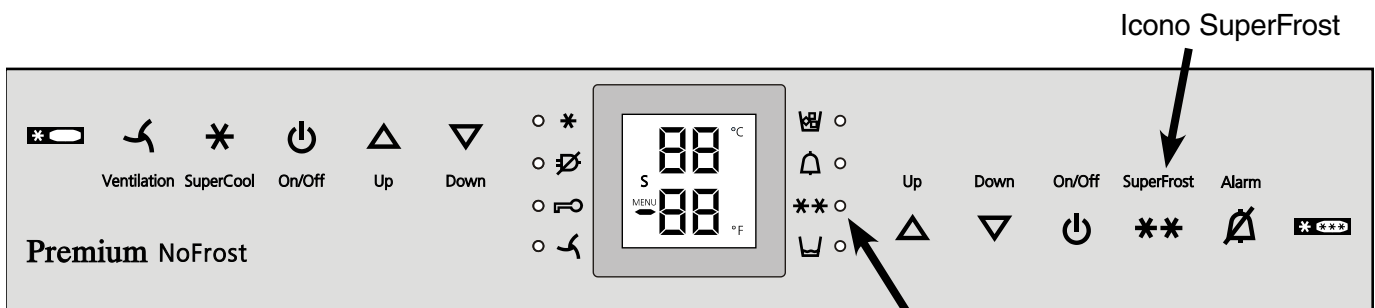


Figura 22

Piloto LED SuperFrost

Advertencias generales y concernientes a la seguridad

- El fabricante de hielo sirve exclusivamente para la producción de cubitos de hielo en cantidades domésticas y sólo debe funcionar con agua apropiada para ello.
- Todas las reparaciones o intervenciones en el fabricante de hielo sólo se deben ejecutar por parte del Servicio Técnico o por profesionales especializados para ello.
- **Las tres primeras producciones de cubitos de hielo no se deben consumir ni emplear. Esto vale tanto para la puesta en servicio, como también para después de una larga puesta fuera de servicio del aparato.**
- **El fabricante no responde de los daños que se originen por equipos o tuberías de agua entre la válvula magnética y la conexión de agua de la casa.**
- El fabricante de hielo sólo funciona cuando el combinado frigorífico-congelador está conectado eléctricamente. Sólo se producen cubitos de hielo cuando está en funcionamiento el compartimento congelador.
- El fabricante de hielo se encuentra en el cajón superior izquierdo del compartimento congelador del combinado frigorífico-congelador (**Figura 5**). El fabricante de hielo sólo puede producir cubitos de hielo, cuando el cajón está completamente cerrado.

Purgado del fabricante de hielo

IMPORTANTE

Para asegurar el funcionamiento adecuado del fabricante de hielo, es necesario purgar el sistema de tuberías de agua.

- Extraiga el cajón.
- Presione la tecla “ON/OFF”, de forma que se encienda el correspondiente piloto de control (**Figura 23**).
- Presione el botón en el alojamiento del fabricante de hielo (**Figura 23**) durante aproximadamente 3 segundos. El piloto LED encima del botón comenzará a parpadear.
- Presione el botón de nuevo, brevemente. El piloto LED parpadeará más rápido.
- Cierre el cajón inmediato.

La entrada de agua del aparato se abre durante 25 segundos y purga todo el aire del sistema de tuberías.

- A continuación, debe vaciarse la bandeja del fabricante de hielo (**Figura 24**). Vea el capítulo “El fabricante de hielo durante las vacaciones” para obtener más información.
- Por último, limpie el cajón.

Puesta en servicio

Para encender el fabricante de hielo

- Extraiga el cajón.
- Presione la tecla “ON/OFF”, de forma que se encienda el correspondiente piloto de control (**Figura 23**).
- Cierre el cajón.

Una vez realizada la puesta en servicio, pueden pasar hasta 24 horas hasta que se produzcan los primeros cubitos de hielo.

Nota

Observe que las tres primeras producciones de cubitos de hielo no se deben emplear ni consumir.

La capacidad de producción es de 90 a 100 cubitos de hielo en 24 horas a una temperatura de 0°F (-17°C) en el interior del compartimento congelador.

Para obtener una capacidad máxima de aproximadamente 140 cubitos de hielo en 24 horas, active la función SuperFrost.

Tenga en cuenta que esto aumenta el consumo de energía porque el compresor estará funcionando sin interrupciones.

Los cubitos de hielo caen del fabricante de hielo al cajón. A partir de una determinada cantidad de llenado se interrumpe automáticamente la producción de cubitos de hielo. El fabricante de hielo no llenará el cajón hasta arriba.

En caso de que se necesite una mayor cantidad de cubitos de hielo se puede cambiar el cajón **IceMaker** lleno por el cajón de al lado de la derecha.

Para apagar el fabricante de hielo

En caso de que no se necesiten cubitos de hielo, se puede poner el fabricante de hielo fuera de servicio con independencia del compartimento congelador.

- Presione la tecla “ON/OFF” aprox. 1 segundo, de forma que se apague el correspondiente piloto de control.

Nota

Cuando el fabricante de hielo está desconectado, también se puede emplear el cajón vacío para congelar y almacenar productos alimenticios.

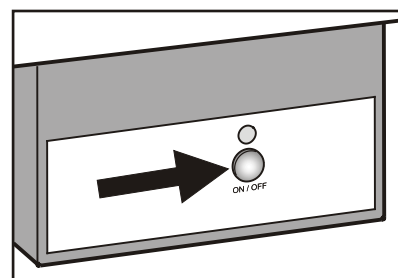


Figura 23

El fabricante de hielo durante las vacaciones

Si sale de vacaciones por un período largo, la cubitera del fabricante de hielo (flecha en la **Figura 24**) debe vaciarse.

Al ajustar el fabricante de hielo al estado de vacaciones, la cubitera rotará hacia abajo para que no quede agua (**Figura 24**).

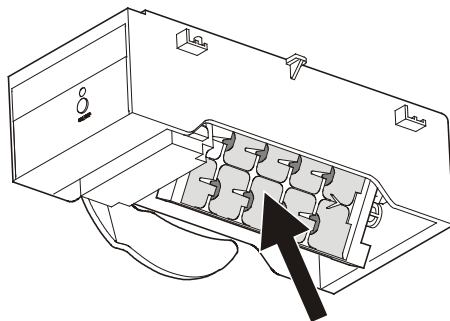


Figura 24

La puerta del congelador debe dejarse abierto para que la superficie de la cubitera se seque y no se forme moho o se produzcan olores desagradables.

Cómo activar el estado de vacaciones del fabricante de hielo - Figura 25

Asegúrese de que el cajón esté completamente cerrado.

1. Active el Modo de configuración pulsando el icono **SuperFrost** durante 5 segundos.
2. Pulse el icono **Down del compartimiento congelador** hasta que aparezca **10** en la pantalla de temperatura del congelador.

3. Pulse el icono **SuperFrost**.
- La pantalla muestra **10** o **0** según si el fabricante de hielo está encendido o apagado.

4. Pulse el icono **Down del compartimiento congelador**.
- La pantalla muestra **1C**.
5. Pulse el icono **SuperFrost**.
- El dígito **1** parpadea.

La cubitera del fabricante de hielo rota hacia abajo. Cuando aparece la temperatura interior en la pantalla, la cubitera se encuentra en la posición hacia abajo (**Figura 24**) y el fabricante de hielo se apaga automáticamente.

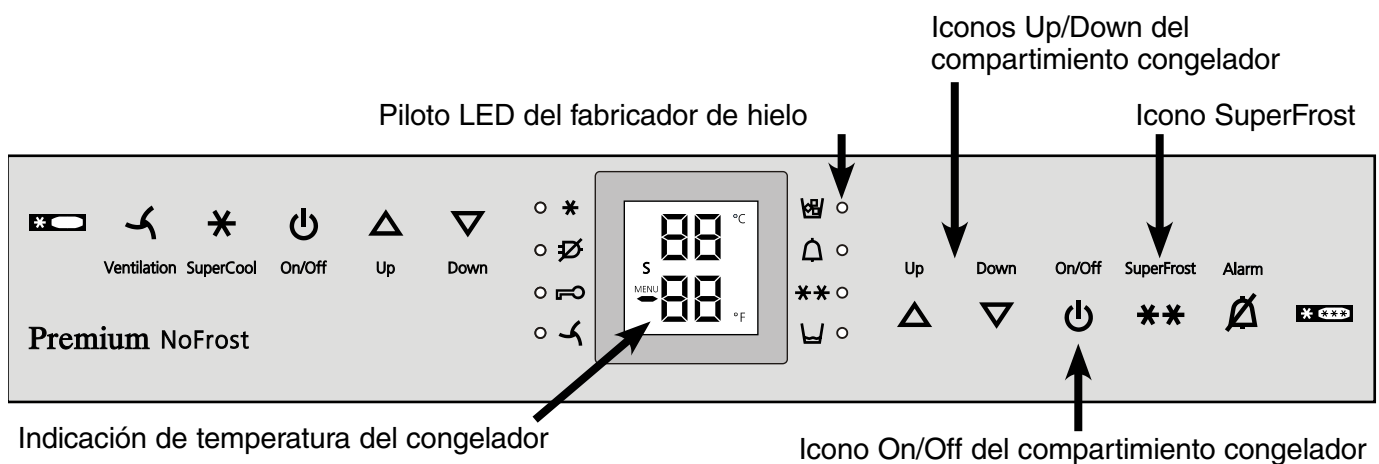


Figura 25

LIMPIEZA

Limpieza



ADVERTENCIA

- Para prevenir posibles heridas debidas a una electrocución, asegúrese de desconectar el cable de alimentación o de apagar el disyuntor antes de limpiar el aparato.
- No emplee aparatos de limpieza a vapor. ¡Peligro de daños personales y materiales!
- Para evitar cortocircuitos, asegúrese de que no penetre agua en los componentes eléctricos mientras limpia el aparato. No utilice una esponja o trapo demasiado mojado.
- Si están sucias, las paredes laterales deberán limpiarse antes con un producto limpiador para acero inoxidable de uso habitual. A continuación, aplique uniformemente el producto conservador de acero inoxidable en el sentido del pulido.
- Limpie las superficies de las puertas sólo con un paño limpio, suave, y en caso necesario, ligeramente humedecido (agua + detergente). También se puede utilizar opcionalmente una toalla de microfibras.

No utilice esponjas y productos de efecto abrasivo, ni concentrados, ácidos o disolventes químicos.

- Retire todos los alimentos del frigorífico y del congelador y guárdelos en un lugar fresco y seco provisoriamente. Guarde los alimentos congelados en otro congelador si fuera posible.
- Retire los estantes de la cara interior de la puerta según se muestra en la **Figura 12, 13**.
- Retire las baldas de vidrio según se muestra en la **Figura 16**.
- Retire los cajones para fruta/verdura.
- Limpie los elementos de la dotación del aparato a mano con agua tibia y detergente para lavavajillas.



PRECAUCIÓN

No limpie los elementos de la dotación en un lavavajillas. Los listones embellecedores de estos elementos podrían aflojarse.

- Limpie el interior del frigorífico y de los cajones del congelador con agua tibia y detergente para lavavajillas.
- Seque el aparato con un paño.
- **No** deteriore, ni quite la placa del modelo en el costado interior del aparato. Es de suma importancia para el Servicio Técnico.

Desescarche

Frigorífico:

El frigorífico está equipado con un sistema de desescarche automático. La humedad que se forma en la pared de fondo será conducido por un sistema evacuador a un recipiente, donde evapora debido al calor generado por el compresor.

Congelador:

El sistema NoFrost se encarga del desescarche automático del congelador. La humedad procedente del proceso de desescarche, que se adhiere al evaporador, será descongelada periódicamente y evaporada.

Consejos para las vacaciones

Vacaciones cortas:

No es necesario desconectar el frigorífico y el congelador si va a estar fuera menos de cuatro semanas.

- Gaste todos los productos perecederos.
- Congele el resto de productos.
- Desconecte el fabricante de hielo.
- Corte el suministro de agua hacia el fabricante de hielo.

Vacaciones largas:

Si va a estar fuera de casa durante un mes o más:

- Coloque el fabricante de hielo en el estado de vacaciones. Vea el capítulo "El fabricante de hielo durante las vacaciones" - página 73.
- Extraiga todos los alimentos de los compartimientos frigorífico y congelador.
- Desconecte el frigorífico y el congelador.
- Limpie el aparato. Remítase el capítulo **Limpieza**.
- Deje la puerta abierta para evitar que se produzcan olores desagradables. Esto también impedirá que se forme moho.
- Corte el suministro de agua hacia el fabricante de hielo.

¿ANOMALÍAS - PROBLEMAS?

Si hubiera un problema durante el funcionamiento, revise si se debe a error operativo.

Nótese que incluso durante el período de garantía, algunos costos de reparación pueden ser de su responsabilidad. Las anomalías descritas a continuación las podrá solucionar el usuario mismo, comprobando las posibles causas:

Anomalia	Posible causa y solución
El aparato no funciona, la pantalla está apagada	<ul style="list-style-type: none"> - ¿Está el aparato encendido correctamente? - ¿Ajusta bien la clavija del enchufe? - ¿Está el disyuntor o el fusible en perfectas condiciones?
La iluminación interior no se enciende	<ul style="list-style-type: none"> - ¿Está el aparato encendido? - ¿Ha permanecido la puerta abierta más de 15 minutos?
Ruido fuerte al funcionar	<ul style="list-style-type: none"> - ¿Se halla el aparato firmemente emplazado en el suelo o se transmiten vibraciones a los muebles/electrodomésticos colindantes? Si es necesario, mueva un poco el aparato, alinéelo mediante las patas regulables o ajuste las botellas y los recipientes.
El motor parece funcionar demasiado tiempo	<ul style="list-style-type: none"> - ¿Es demasiado alta la temperatura ambiente? Consulte el capítulo Reglamentaciones de seguridad. - ¿Se ha abierto el aparato con demasiada frecuencia o durante mucho tiempo? - ¿Se han introducidos grandes cantidades de alimentos frescos? - El aparato está en modo SuperCool. Verifique que esté en el modo normal de funcionamiento.
La temperatura no es suficientemente baja	<ul style="list-style-type: none"> - ¿Se ha seleccionado la temperatura adecuada? Consulte el capítulo Ajuste de temperatura. - ¿Se han introducido grandes cantidades de alimentos frescos? - ¿Indica el termómetro complementario colocado en el aparato el valor correcto? - ¿Es suficiente la entrada y salida de aire de ventilación? - ¿Está el lugar de emplazamiento demasiado cerca de una fuente de calor?
La indicación de temperatura del congelador muestra dos guiones - -	<p>La indicación de temperatura del congelador sólo mostrará temperaturas que estén por debajo del punto de congelación. Cuando se inicia por primera vez el congelador, el aparato no estará por debajo del punto de congelación. Tardará entre tres y cinco horas (dependiendo de las condiciones ambientales) en alcanzar temperaturas de congelación y que, por lo tanto, las muestre en números. Esto también puede suceder después de una falla en el suministro eléctrico.</p>
Se forman gotas de agua o hielo en la pared de fondo del compartimiento frigorífico.	<p>Es totalmente normal. Durante el proceso de refrigeración, la humedad existente en el compartimiento frigorífico se condensa en la pared de fondo y se congela. En los periodos en los que el compresor no esté en funcionamiento, la capa de hielo se descongelará. El condensado que se forma en la pared de fondo se drenará a través del tubo evacuador del agua de desescarche para evaporación.</p>

¿ANOMALÍAS - PROBLEMAS?

¿Anomalías - Problemas en el fabricante de hielo?

Las anomalías descritas a continuación las podrá solucionar el usuario mismo, comprobando las posibles causas.

Cuando usted no pueda subsanar el fallo por si mismo o cuando el piloto de control por encima de la tecla "On/Off" parpadea, entonces, por favor, diríjase al Servicio Técnico.

Anomalía	Posible causa y solución
El fabricante de hielo no se puede poner en marcha.	¿Está conectado eléctricamente el combinado frigorífico-congelador?
No se producen cubitos de hielo.	<ul style="list-style-type: none"> - ¿Está conectado el fabricante de hielo? - ¿Está abierta la tubería de alimentación de agua? - ¿Está correctamente cerrado el cajón "IceMaker"?

Servicio Técnico - Figura 27

En el caso de no darse ninguna de las anomalías anteriormente descritas y Vd. no haya conseguido eliminar la anomalía lo que significa un error funcional, es preciso dirigirse al Servicio Técnico más próximo (véase relación adjunta).

Indique el **mensaje de error** y
el modelo ①,
el código de servicio ② y
el número de aparato/serie ③

que figuran en la placa del modelo. Estos datos contribuyen a que el Servicio Técnico pueda ser más rápido y eficaz. La placa del modelo se encuentra en el costado interior izquierdo del aparato.

Deje cerrado el aparato hasta que llegue el Servicio Técnico, para evitar más pérdida de frío.

Informaciones sobre el aparato

Apunte los presentes datos durante la instalación del aparato.

Modelo: _____

Código de servicio: _____

Número de aparato/serie: _____

Fecha de compra: _____

Lugar de compra: _____

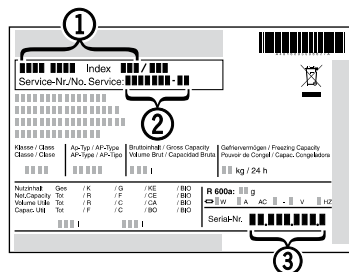


Figura 27

GARANTÍA

PLAN DE GARANTÍA LIEBHERR

GARANTÍA TOTAL DE DOS AÑOS - Durante dos años a partir de la fecha original de compra, su garantía Liebherr cubre todas las piezas y mano de obra para reparar o sustituir cualquier parte del producto defectuosa en materiales o fabricación.

GARANTÍA TOTAL DE CINCO AÑOS - Durante cinco años a partir de la fecha original de compra, su garantía Liebherr cubre todas las piezas y mano de obra para reparar o sustituir cualquier componente del producto defectuoso en materiales o fabricación, del sistema hermético. El "Sistema Hermético" se refiere sólo al compresor, condensador, evaporador, secador y todas las tuberías de conexión.

GARANTÍA LIMITADA DESDE EL SEXTO AL DOCEAVO AÑO - Desde el sexto al doceavo año a partir de la fecha original de compra, su garantía Liebherr cubre todas las piezas defectuosas en materiales o fabricación, del sistema hermético (sólo piezas).

CONDICIONES APLICABLES A TODAS LAS GARANTÍAS

Todos los servicios proporcionados por Liebherr bajo la garantía deben ser efectuados por representantes autorizados de Liebherr, a menos que Liebherr lo especifique de otro modo. El servicio será efectuado en el hogar durante las horas comerciales normales. Esta garantía sólo es aplicable para los productos instalados para uso doméstico normal. Los detalles sobre las garantías no residenciales están disponibles a su petición.

Esta garantía es aplicable sólo a los productos instalados en Canadá y en cualquiera de los cincuenta estados de Estados Unidos o en el Distrito de Columbia. Esta garantía no cubre piezas ni mano de obra para corregir defectos causados por negligencia, accidente o uso, mantenimiento, instalación, servicio o reparación indebidos, incluido aunque no limitado al traslado y reinstalación inadecuados de la unidad de condensación.

Las medidas correctivas arriba descritas para las garantías son las únicas que proporcionará Liebherr, tanto bajo estas garantías como bajo cualquier otra derivada de la aplicación de la ley. Liebherr no será responsable de ningún daño imprevisto o consecuencial derivado del incumplimiento de estas garantías o de cualquier otra, sea expresa, implícita o legal.

Algunos estados no permiten excluir ni limitar daños imprevistos o consecuenciales, de tal modo que la anterior limitación o exclusión puede no ser aplicable para usted. Esta garantía le otorga derechos legales específicos y usted puede tener además otros derechos que varían de estado a estado.

Para recibir piezas y/o servicio y el nombre del representante autorizado de Liebherr más próximo a usted, póngase en contacto con su distribuidor Liebherr o con el proveedor de servicio nacional Liebherr designado:

Para EE.UU.: Liebherr@adcoservice.com o llame al 1-866-LIEBHERR o al 866-543-2437.

Para Canadá: www.euro-parts.ca o llame al 1-888-LIEBHERR o al 1-888-543-2437.

For Service in the U.S.:

Liebherr Service Center

15545 N. 77th Street
Scottsdale, AZ 85260
Phone: (480) 998-0141
Fax: (480) 998-7877

Toll Free: **1-866-LIEBHERR or
1-866-543-2437**

E-mail: Liebherr@adcoservice.com

For Service in Canada:

EURO PARTS

579 Campbell Street
P.O. Box 759
Lucknow, Ontario, N0G 2H0
Phone: (519) 528-5005
Fax: (519) 528-5001

Toll Free: **1-888-LIEBHERR or
1-888-543-2437**

www.euro-parts.ca

www.liebherr-appliances.com

