



ROOM AIR CONDITIONER OWNER'S MANUAL

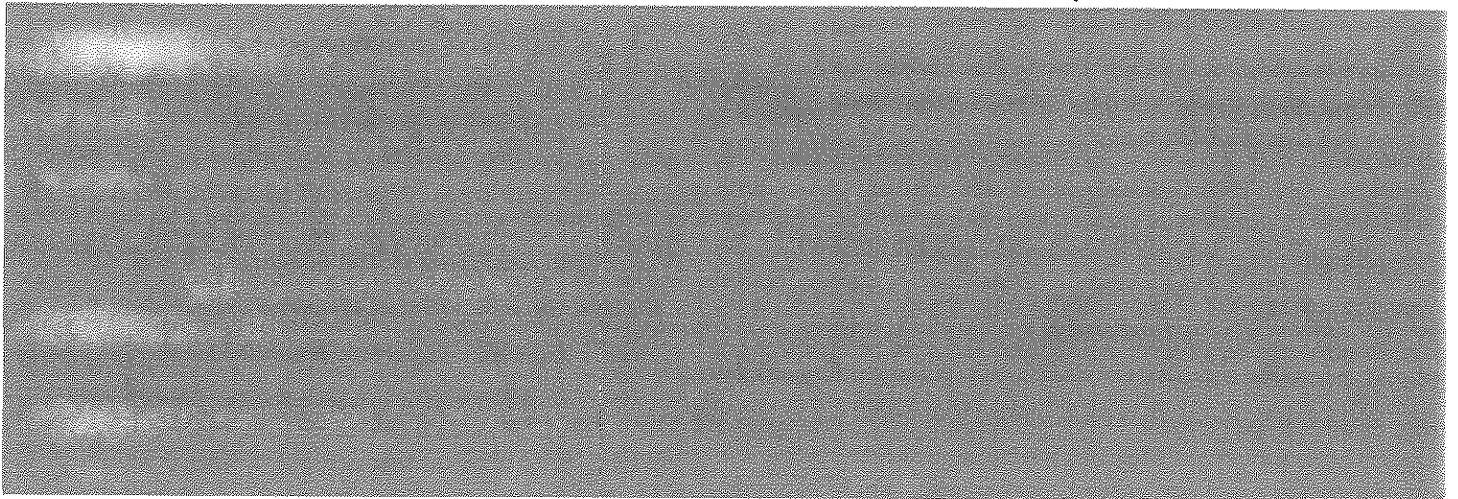
Please read the operating instructions and safety precautions carefully and thoroughly before installing and operating your room air conditioner.

AIRE ACONDICIONADOR MANUAL DEL PROPIETARIO

Por favor lea las instrucciones de operación y las precauciones de seguridad cuidadosa y totalmente antes de instalar y operar su acondicionador de aire de ventana.

MODEL, MODELO: HBLG1800H

Manufactured by LG Electronics



FOR YOUR RECORDS

Write the model and serial numbers here:

Model # _____

Serial # _____

You can find them on a label on the side of each unit.

Dealer's Name _____

Date Purchased _____

- Staple your receipt to this page in the event you need it to prove date of purchase or for warranty issues.

Safety Precautions

About the Controls on the Air Conditioner

Care and Maintenance

Features and Installation

Before you call for service..

READ THIS MANUAL

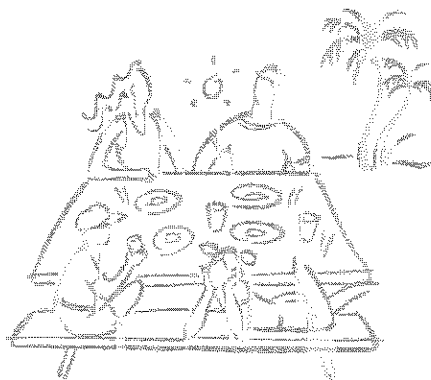
Inside you will find many helpful hints on how to use and maintain your air conditioner properly. Just a little preventive care on your part can save you a great deal of time and money over the life of your air conditioner.

You'll find many answers to common problems in the chart of troubleshooting tips. If you review our chart of

Troubleshooting Tips first, you may not need to call for service at all.

PRECAUTION

- Contact the authorized service technician for repair or maintenance of this unit.
- Contact the installer for installation of this unit.
- The air conditioner is not intended for use by young children or invalids without supervision.
- Young children should be supervised to ensure that they do not play with the air conditioner.
- When the power cord is to be replaced, replacement work shall be performed by authorized personnel only using only genuine replacement parts.
- Installation work must be performed in accordance with the National Electric Code by qualified and authorized personnel only.



Safety Precautions

To prevent injury to the user or other people and property damage, the following instructions must be followed.

■ Incorrect operation due to ignoring instruction will cause harm or damage. The seriousness is classified by the following indications.

⚠ WARNING This symbol indicates the possibility of death or serious injury.

⚠ CAUTION This symbol indicates the possibility of injury or damage to properties only.

■ Meanings of symbols used in this manual are as shown below.

	Be sure not to do.
	Be sure to follow the instruction.

⚠ WARNING

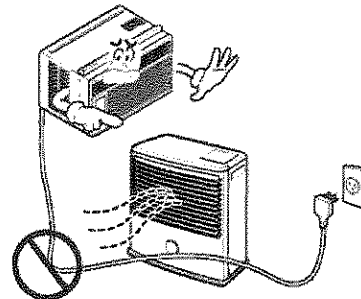
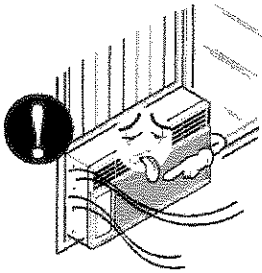
■ Installation

Always install the expansion panel(s).

Do not place the power cord near a heater.

• No installation may cause fire and electric shock accident.

• It may cause fire and electric shock.

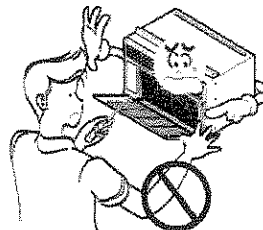
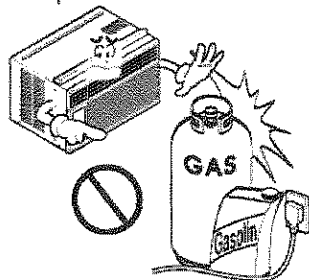


Do not use the power cord near flammable gas or combustibles such as gasoline, benzene, thinner, etc.

Do not disassemble or modify products.

• It may cause explosion or fire.

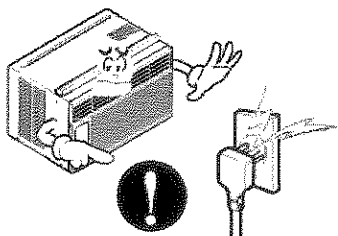
• It may cause failure and electric shock.



■ Operation

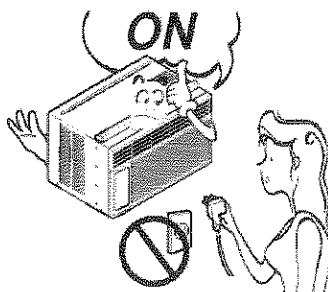
Plug in the power plug properly.

- Otherwise, it will cause electric shock or fire due to heat generation or electric shock.



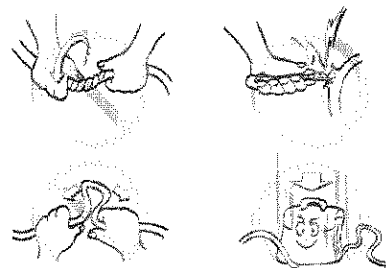
Do not operate or stop the unit by inserting or pulling out the power plug.

- It will cause electric shock or fire due to heat generation.



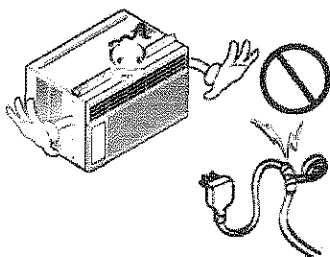
Do not damage or use an unspecified power cord.

- It will cause electric shock or fire.



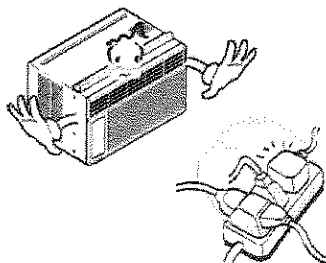
Do not modify power cord length.

- It will cause electric shock or fire due to heat generation.



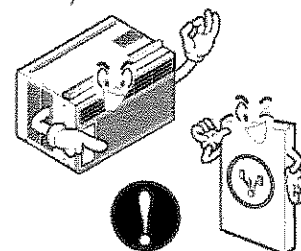
Do not share the outlet with other appliances.

- It will cause electric shock or fire due to heat generation.



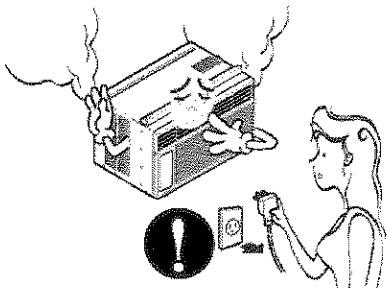
Always plug into a grounded outlet.

- No grounding may cause electric shock (See Installation Manual).



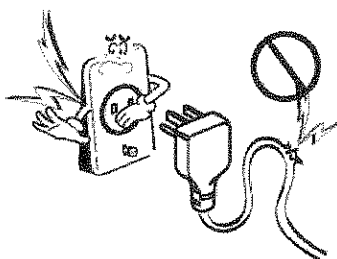
Unplug the unit if strange sounds, odors, or smoke come from it.

- Otherwise it may cause fire and electric shock accident.



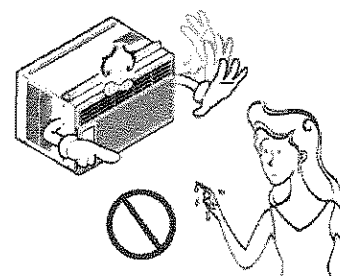
Do not use the socket if it is loose or damaged.

- It may cause fire and electric shock.



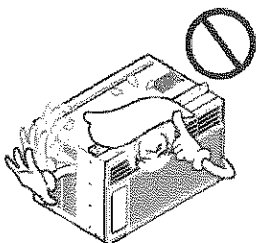
Do not operate with wet hands or in damp environment.

- It will cause electric shock.



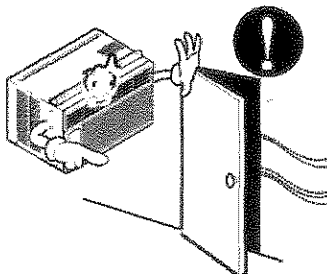
Do not allow water to run into electric parts.

- It will cause failure of machine or electric shock.



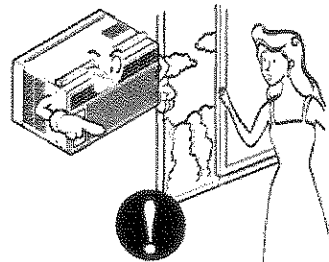
Leave the door closed while the air conditioner is running.

- It is not designed to cool the entire house.



Ventilate before operating air conditioner when gas goes out.

- It may cause explosion, fire, and burn.

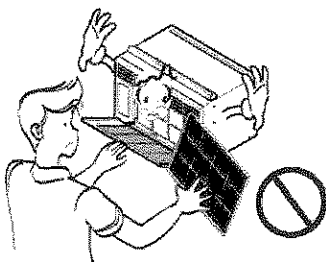


CAUTION

Installation

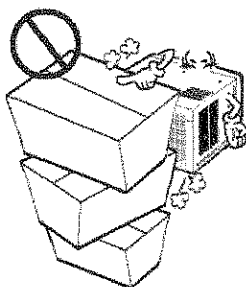
Never touch the metal parts of the unit when removing the filter.

- They are sharp and may cause injury.



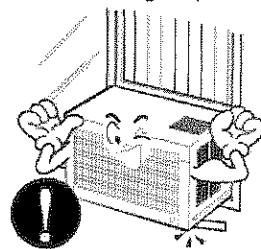
Do not block the inlet or outlet.

- It may cause failure of appliance or accident.



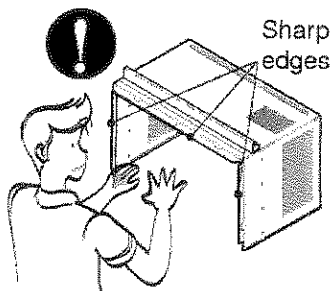
Ensure that the outer case is not damaged by age or wear.

- If leaving appliance damaged, there is concern of damage due to the falling of product.



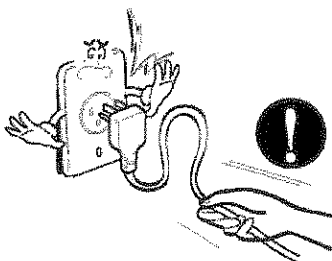
Be cautious not to touch the sharp edges when installing.

- It may cause injury.



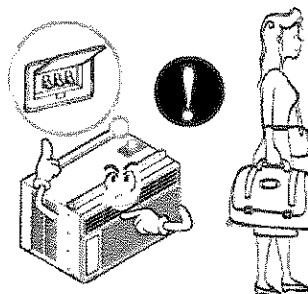
Hold the plug by the head when taking it out.

- It may cause electric shock and damage.



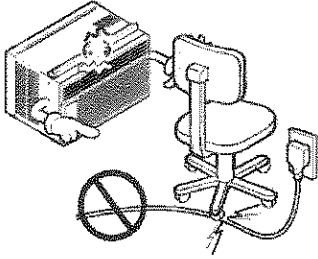
Turn off the main power switch when not using it for a long time.

- Prevent accidental startup and the possibility of injury.

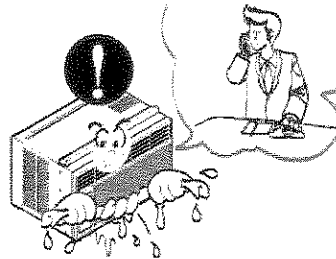


Do not place heavy object on the power cord and take care so that the cord should not be pressed.

- There is danger of fire or electric shock.

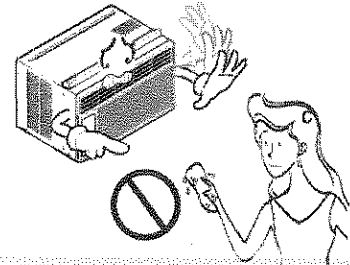


If water enters the product, turn off the the power switch of the main body of appliance. Contact service center after taking the power-plug out from the socket.



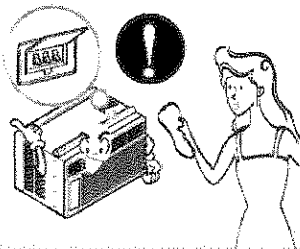
Do not clean the air conditioner with water.

- Water may enter the unit and degrade the insulation. It may cause an electric shock.



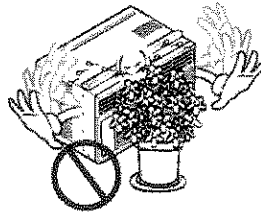
Turn off the power and breaker firstly when cleansing the unit.

- Since the fan rotates at high speed during operation, it may cause injury.



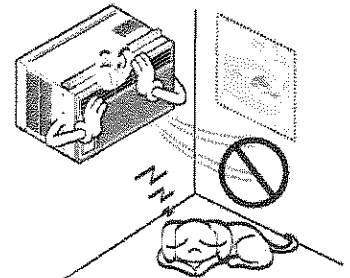
Do not put a pet or house plant where it will be exposed to direct air flow.

- This could injure the pet or plant.



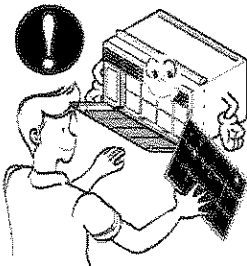
Do not use this appliance for special purposes such as pets, foods, precision machinery, or objects of art.

- It is an air conditioner, not a precision refrigeration system.



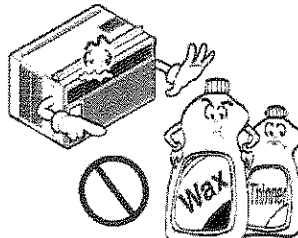
Always insert the filter securely. Clean it every two weeks.

- Operation without filters will cause failure.



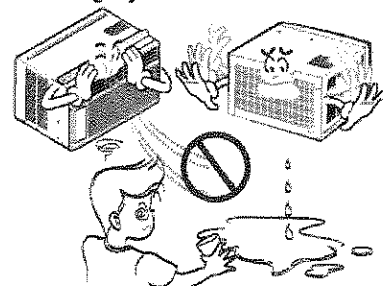
Use a soft cloth to clean. Do not use wax, thinner, or a strong detergent.

- The appearance of the air conditioner may deteriorate, change color, or develop surface flaws.



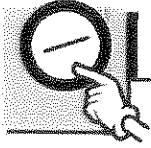
Do not drink water drained from air conditioner. / Do not direct airflow at room occupants only.

- It contains containments and will make you sick. / This could damage your health.



About the Controls on the Air Conditioner

The controls will look like one of the following.



Controls

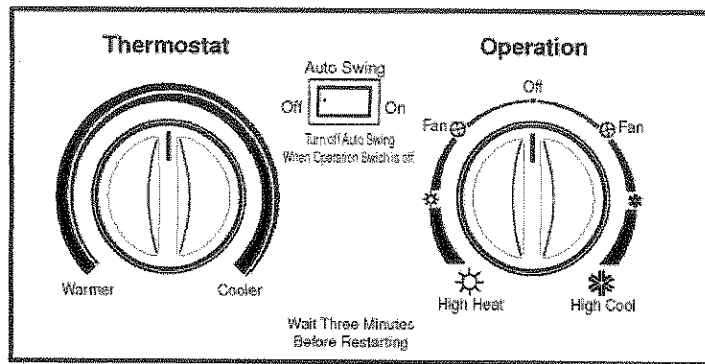


WARNING: To reduce the risk of fire, electric shock, or injury to persons, read the **IMPORTANT SAFETY INSTRUCTIONS** before operating this appliance.



CAUTION: When the air conditioner has been performing its cooling operation and is turned off or set to the fan position, wait at least 3 minutes before resetting to the cooling operation again.

FUNCTION



• THERMOSTAT

Turn the thermostat control to the desired setting. The central position is a normal setting for average conditions. You can change this setting, if necessary, in accordance with your temperature preference.

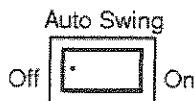
The thermostat automatically controls cooling or heating, but the fan runs continuously whenever the air conditioner is in operation. If the room is too warm, turn the thermostat control clockwise. If the room is too cool, turn the thermostat control anticlockwise.

• Auto Swing

ON : Starts the operation of air swing.

OFF : Stops the operation of air swing.

Please turn off Auto Swing when Operation Switch is off.



• OPERATION

OFF (○) : Turns the air conditioner off.

FAN (⊕) : Permits the low fan speed operation without cooling (heating).

LOW COOL (*) : Permits cooling with the low fan speed operation.

HIGH COOL (✱) : Permits cooling with the high fan speed operation.

LOW HEAT (*) : Permits heating with the low fan speed operation.

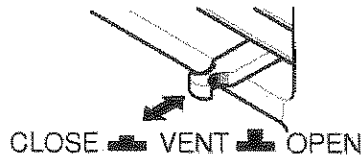
HIGH HEAT (✱) : Permits heating with the high fan speed operation.

A slight heat odor may come from the unit when first switching to HEAT after the cooling season is over. This odor, caused by fine dust particles on the heater, will disappear quickly.

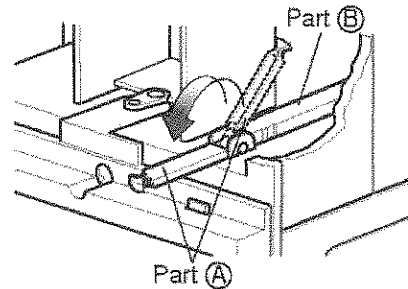
Additional controls and important information.

Ventilation

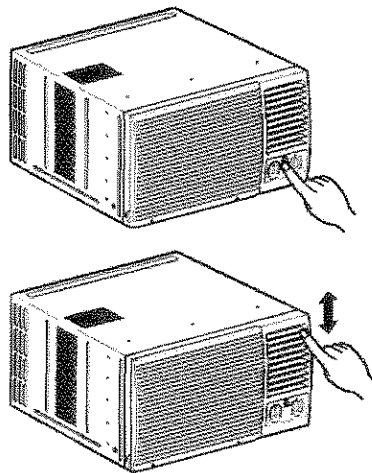
The ventilation lever must be in the CLOSE position in order to maintain the best cooling conditions. When fresh air is necessary in the room, set the ventilation lever to the OPEN position. The damper is opened and room air is drawn out.



NOTICE -Before using the ventilation feature, position the lever, as shown. First, pull down part (A) to horizontal line with part (B).



Air Direction



The direction of air can be controlled wherever you want to cool by adjusting the horizontal louver and the vertical louver.

• HORIZONTAL AIR-DIRECTION CONTROL

To control horizontal direction of air flow, set to the ON position the air-swing switch and the air flow will be swept horizontally by the automatic air-swing system.

If you want to stop the air flow from moving, switch off the air swing switch at the desired position of the vane.

• VERTICAL AIR-DIRECTION CONTROL

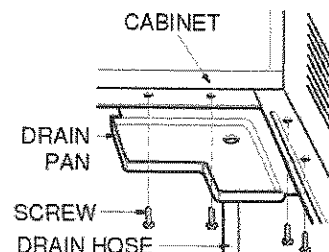
The vertical air direction is adjusted by moving the horizontal louver.

How to Attach Drain Pan

The air conditioner employs a proper drain method whereby the condensed water (moisture removed from the air) is drained to the outside.

In very humid weather, (and for reverse cycle models in the reverse mode) excessive condensate water removed from the air may cause some water to collect. To remove this excess water you can install the drain pan as detailed below.

1. Take the drain pan which is located in the air discharge.
2. Remove the hole rubber from the base-pan (for some models).
3. Install the drain pan to the right corner of the cabinet with 4 (or 2) screws.
4. Connect the drain hose of $\frac{3}{5}$ " inside diameter to the outlet located at the bottom of the drain pan. You can purchase the drain hose or tubing locally to satisfy your particular needs. (Drain hose is not supplied).



How to Connect a Drain Hose

A drain hole is provided at the rear of the air conditioner unit. Select a drain method according to the following.

1. Remove the hole rubber from the base-pan. (for some models)
2. Connect a drain hose of $\frac{3}{16}$ " inside diameter to the drain pipe as shown in Fig. 1.
3. Or connect a pipe elbow of $\frac{3}{16}$ " inside diameter to the drain pipe, then connect a drain hose of $\frac{3}{16}$ " inside diameter to the pipe elbow as shown in Fig. 2.

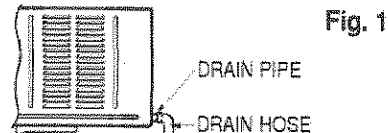


Fig. 1

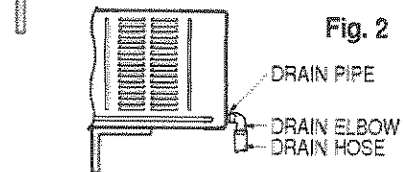


Fig. 2

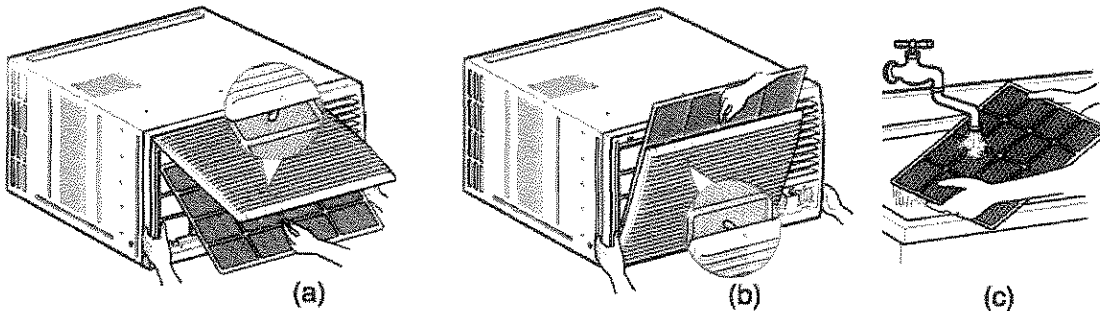
Care and Maintenance

TURN THE AIR CONDITIONER OFF AND REMOVE THE PLUG FROM THE POWER OUTLET.

Air Filter Cleaning

The air filter should be checked at least twice a month to see if cleaning is necessary. Trapped particles in the filter will build up and block the airflow. This reduces the cooling capacity and also causes an accumulation of frost on the cooling coils.

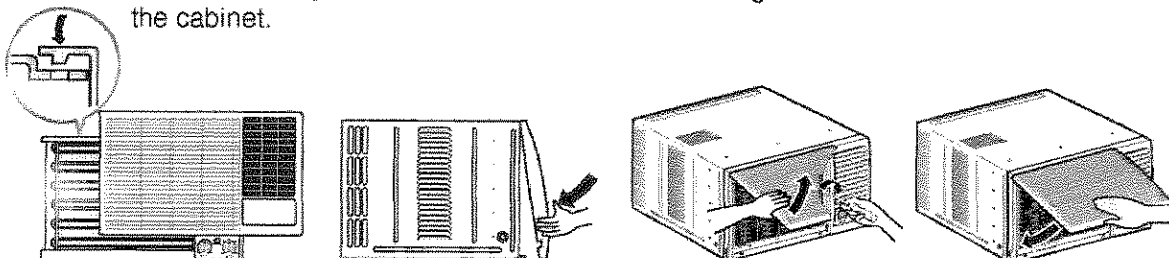
1. Open the inlet grille upward by pulling out the bottom of the inlet grille.(a)
In another case, you can open the inlet grille downward by pulling out the top of the inlet grille.(b)
2. Remove the air filter from the front grille assembly by pulling the air filter up or down slightly.
3. Wash the filter using lukewarm water below 40°C (104°F).(c)
4. Gently shake the excess water from the filter completely. Replace the filter.



NOTICE : Mark Δ of inlet grille means opening direction.

How to Attach Front Grille to Cabinet

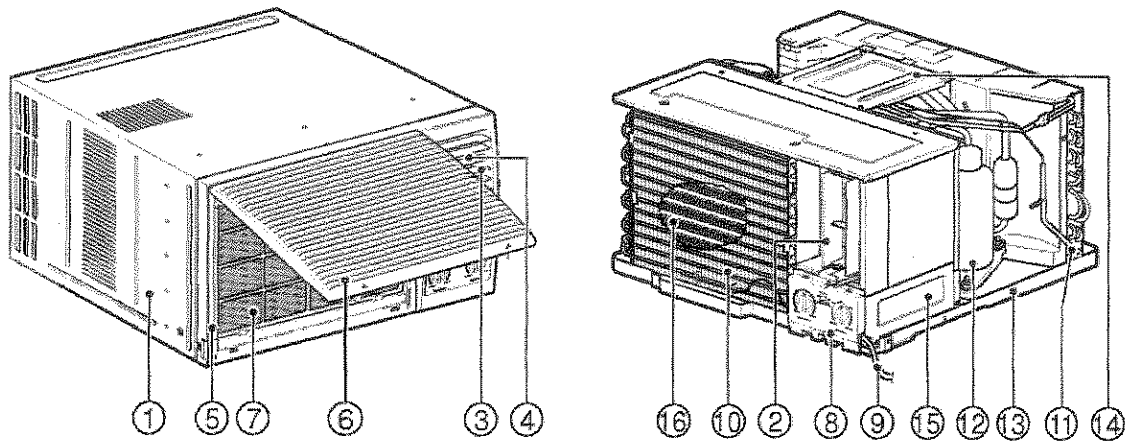
1. Pull down front grille from the cabinet top.
2. Push front grille's tips toward the cabinet in order to insert front grille's tabs into the cabinet.
3. Open the inlet grille.
4. Tighten the screw through the front grille into the plate of the evaporator.
5. Close inlet grille.



Features and Installation

Learning parts name prior to installation will help you understand the installation procedure.

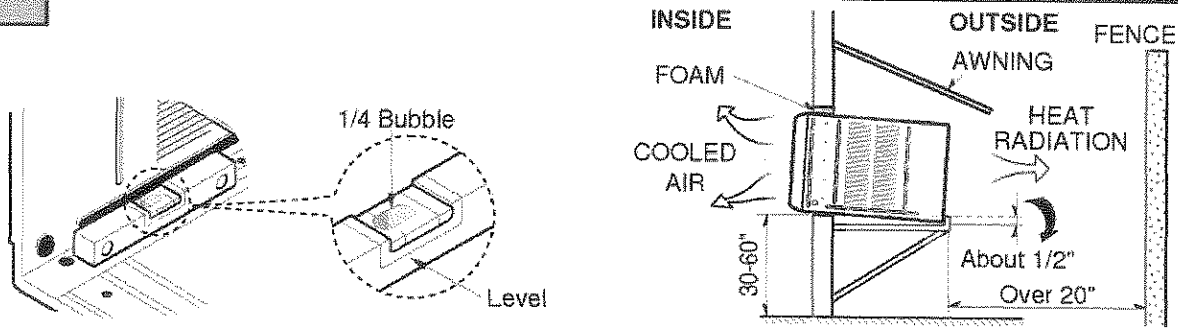
Features



1. CABINET
2. HORIZONTAL AIR DEFLECTOR
(VERTICAL LOUVER)
3. VERTICAL AIR DEFLECTOR
(HORIZONTAL LOUVER)
4. AIR DISCHARGE
5. FRONT GRILLE
6. INLET GRILLE (AIR INTAKE)
7. AIR FILTER
8. CONTROL BOARD
9. POWER CORD
10. EVAPORATOR
11. CONDENSER
12. COMPRESSOR
13. BASE PAN
14. BRACE
15. COVER CONTROL
16. ELECTRIC HEATER

INSTALLATION

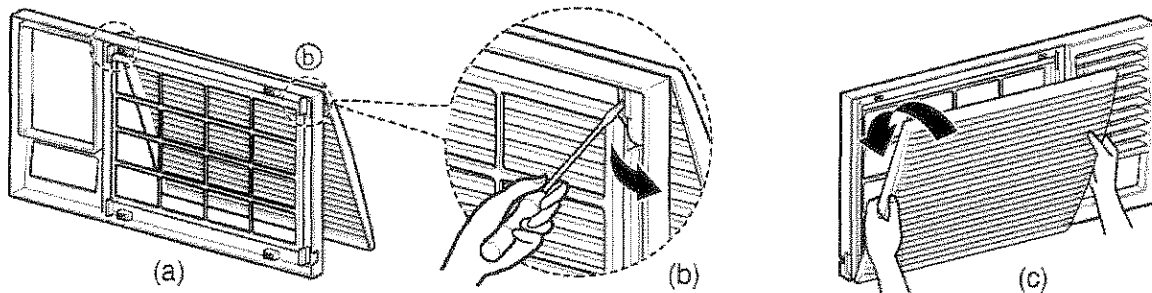
How to Install the Unit



1. To avoid vibration and noise, make sure the unit is installed securely and firmly.
2. Install the unit where the sunlight does not shine directly on the unit.
If the unit receives direct sunlight, build an awning to shade the cabinet.
3. There should be no obstacle, like a fence, within 20" which might restrict heat radiation from the condenser.
4. To prevent reducing performance, install the unit so that louvers of the cabinet are not blocked.
5. Install the unit a little obliquely outward not to avoid leaking the condensed water into the room (about 1/2" or 1/4 bubble with level).
6. Install the unit with its bottom portion 30~60" above the floor level.
7. Stuff the foam between the top of the unit and the wall to prevent air and insects from getting into the room.
8. The power cord must be connected to an independent circuit. The green wire must be grounded.
9. Connect the drain tube to the base pan hole in the rear side if you need to drain (consult a dealer.)
Plastic hose or equivalent may be connected to the drain tube.

How to Use the Reversible Inlet Grille

The grille is designed to clean the filter both upward and downward.



A. Before attaching the front grille to the cabinet, if you want to pull out the filter upward;

1. Open the inlet grille slightly (a).
2. Turn inside out the front grille (a).
3. Disassemble the inlet grille from the front grille with separating the hinged part by inserting a straight type screw-driver tip (b).
4. Then, rotate the inlet grille 180 degrees and insert the hooks into bottom holes of the front grille.
5. Insert the filter and attach the front grille to the cabinet.

B. If you want to pull out the filter downward;

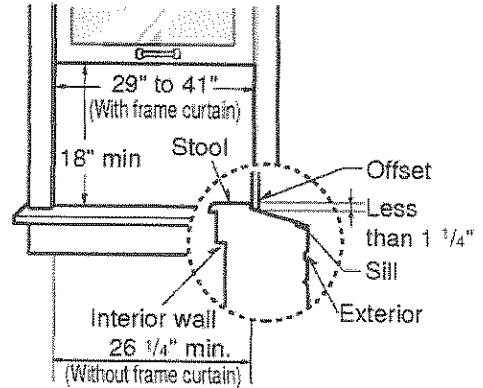
The grille is already designed that way.

Window Requirements

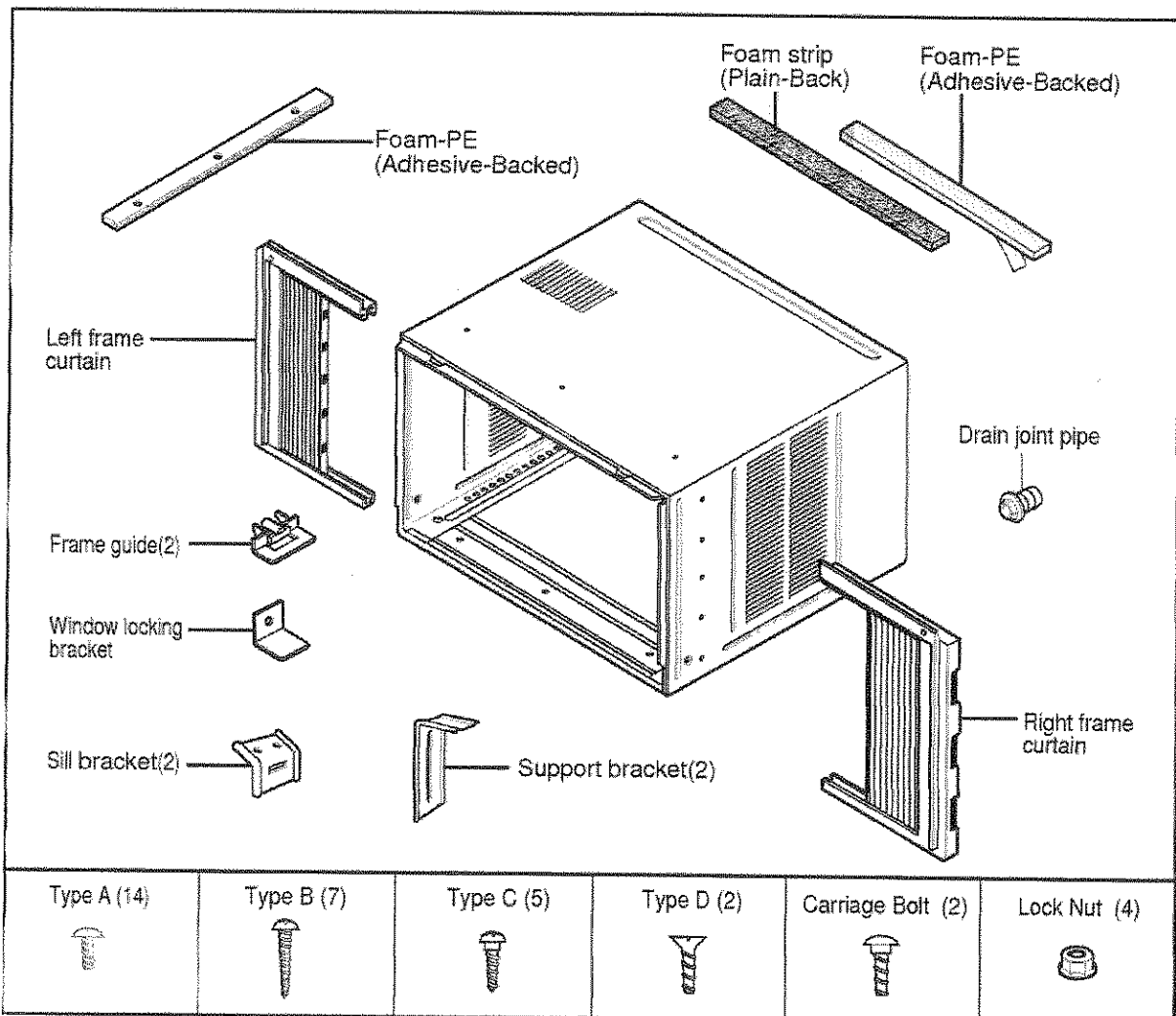
NOTE: All supporting parts should be secured to firm wood, masonry, or metal.

WINDOW REQUIREMENTS

1. This unit is designed for installation in standard double hung windows with actual opening widths from 29" to 41".
The top and bottom window sashes must open sufficiently to allow a clear vertical opening of 18" from the bottom of the upper sash to the window stool.
2. The stool offset (height between the stool and sill) must be less than 1 1/4".



Installation Kits Contents

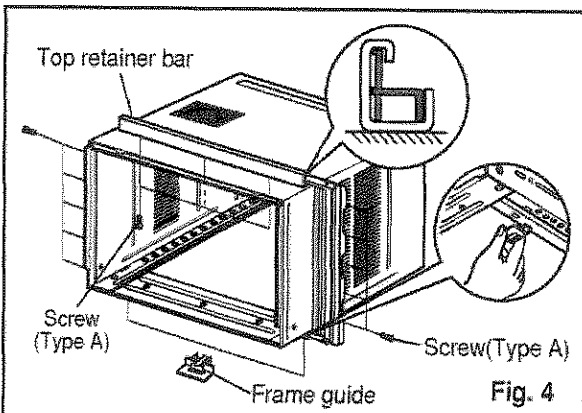
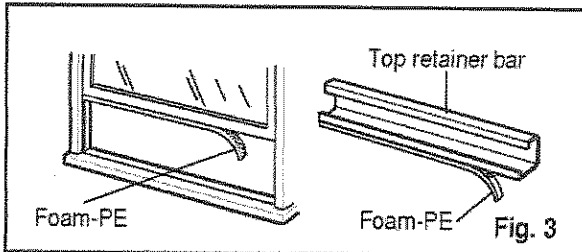
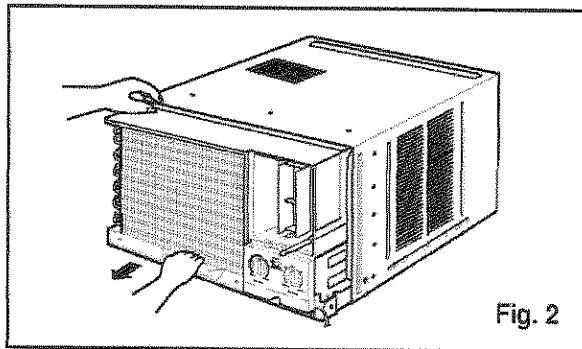
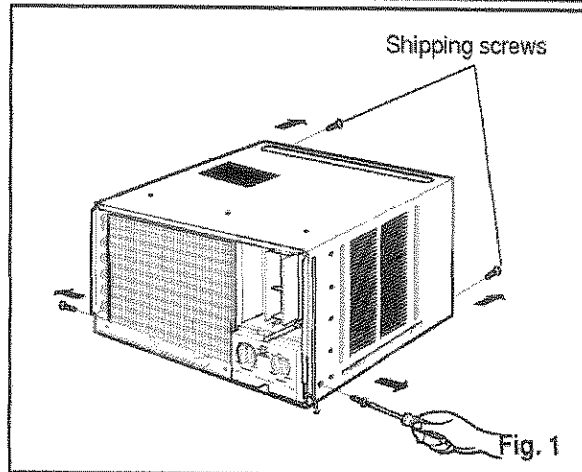


Suggested Tool Requirements

SCREWDRIVER(+, -), RULER, KNIFE, HAMMER, PENCIL, LEVEL

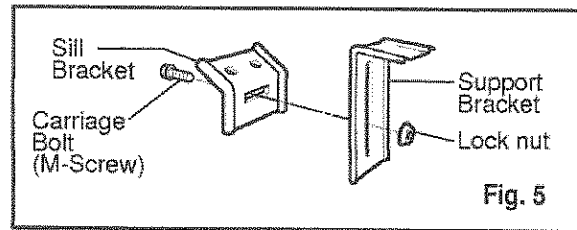
PREPARATION OF CHASSIS

1. Remove the screws which fasten the cabinet at both sides and at the back.
2. Slide the unit out from the cabinet by gripping the base pan handle and pulling forward while bracing the cabinet.
3. Cut the window sash seal to the proper length. Peel off the backing and attach the Foam-PE to the underside of the window sash.
4. Remove the backing from Foam-PE with 3 holes and attach it to the bottom of the Top retainer bar.
5. Attach the Top retainer bar on the top of the cabinet with 3 screws (Type A).
6. Insert the Frame guides into the bottom of the cabinet.
7. Insert the Frame Curtain into the Top retainer bar and Frame guides.
8. Fasten the curtains to the unit with 10 screws (Type A) at both sides.

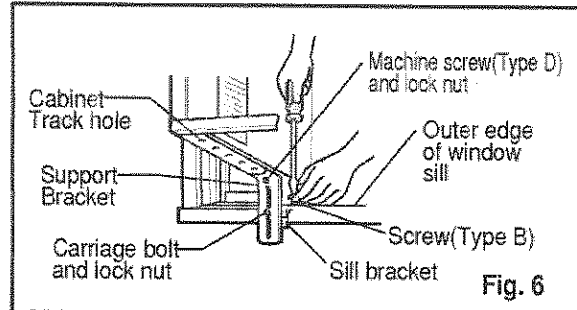


Cabinet Installation

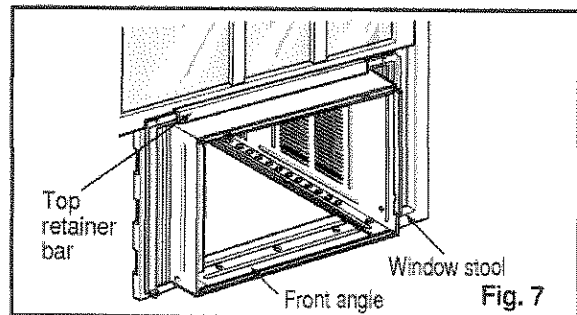
1. Open the window. Mark a line on the center of the window stool between the side window stop moldings. Loosely attach the sill bracket to the support bracket using the carriage bolt and the lock nut.



2. Attach the sill bracket to the window sill using the screws (Type B). Carefully place the cabinet on the window stool and align the center mark on the bottom front with the center line marked window stool.

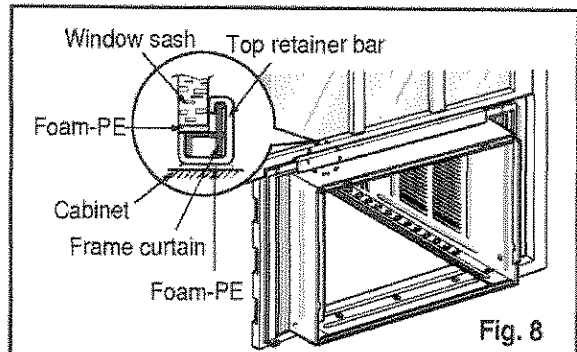


3. Using the M-screw and the lock nut, attach the support bracket to the cabinet track hole. Use the first track hole after the sill bracket on the outer edge of the window sill. Tighten the carriage bolt and the lock nut. Be sure the cabinet slants outward.

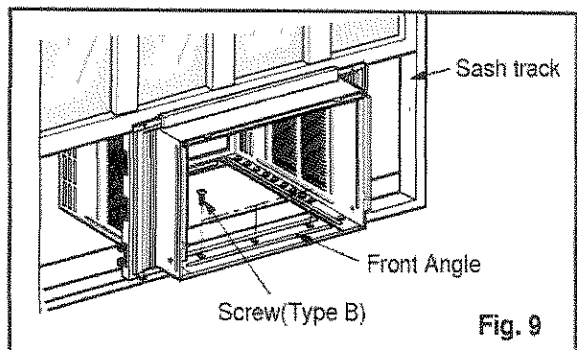


CAUTION: Do not drill a hole in the bottom pan. The unit is designed to operate with approximately 1/2" of water in bottom pan.

4. Pull the bottom window sash down behind the Top retainer bar until they meet.

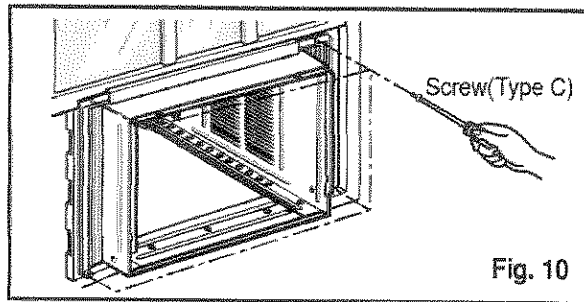


- NOTICE :**
1. Do not pull the window sash down so tightly that the movement of Frame curtain is restricted. Attach the cabinet to the window stool by driving the screws (Type B) through the cabinet into window stool.
 2. The cabinet should be installed with a very slight tilt downward toward the outside.



5. Pull each Frame curtain fully to each window sash track, and pull the bottom window sash down behind the Top retainer bar until it meets.

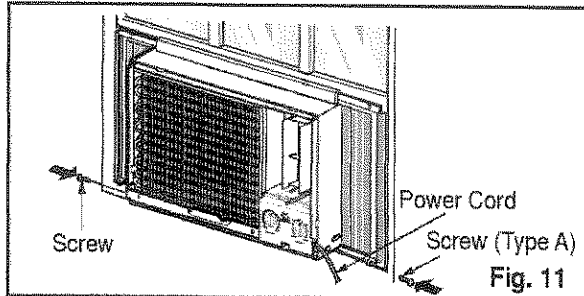
6. Attach each Frame curtain the window sash by using screws (Type C.) (See Fig. 10)



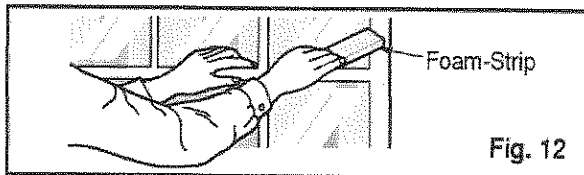
7. Slide the unit into the cabinet.(See Fig. 11)



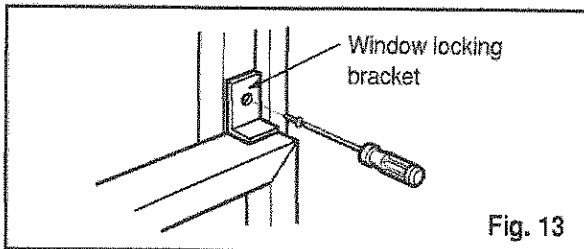
CAUTION: For security purpose, reinstall screws (Type A) at cabinet's sides.



8. Cut the Foam-strip to the proper length and insert between the upper window sash and the lower window sash.(See Fig. 12)

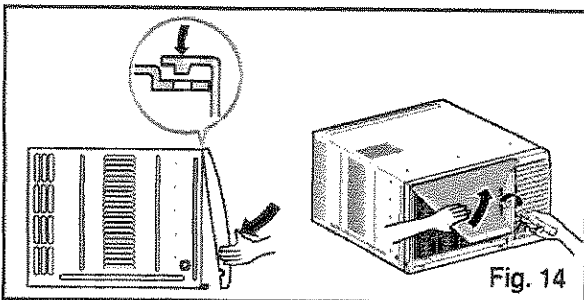


9. Attach the Window locking bracket with a screw (Type C.) (See Fig. 13)

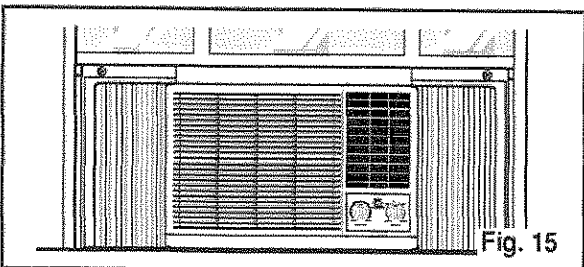


10. Attach the front grille to the cabinet by inserting the tabs on the grille into the tabs on the front of the cabinet. Push the grille in until it snaps into place.(See Fig.14)

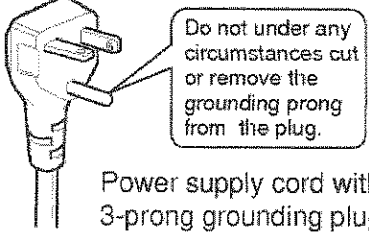

11. Lift the inlet grille and secure it with a screw (Type A) through the front grille.(See Fig. 14)



12. *Window installation of room air conditioner is now completed. See ELECTRICAL DATA for attaching power cord to electrical outlet.*



Electrical Data

Line Cord Plug	Use Wall Receptacle	Power Supply
 <p>Do not under any circumstances cut or remove the grounding prong from the plug.</p> <p>Power supply cord with 3-prong grounding plug</p>	 <p>Standard 250V, 3-wire grounding receptacle rated 20A, 250V AC</p>	<p>Use 20 AMP, time delay fuse or circuit breaker.</p>

NOTICE : Aluminum house wiring may pose special problems. Consult a qualified electrician.

■ ELECTRICAL SAFETY

IMPORTANT GROUNDING INSTRUCTIONS

Air conditioner has a three-prong grounding plug on its power supply cord, which must be plugged into properly grounded three-prong wall receptacle for your protection against possible shock hazard.

FUSE – Use a time-delay fuse or circuit breaker. Refer to serial plate for proper power supply requirements.

230, 208, and 230/208 VOLT UNITS

These units are equipped with a three-prong grounding plug on the power supply cord, which must be plugged into a matching properly grounded three-prong wall receptacle for your protection against possible shock hazard. If such an outlet is not present, one must be installed by a qualified electrician in accordance with the National Electrical Code and local codes and ordinances.

NOTICE : DO NOT USE AN EXTENSION CORD ON 230, 208, AND 230/208 VOLT UNITS.

Before you call for service...

Troubleshooting Tips

Save time and money! Review the chart below first and you may not need to call for service.

Normal Operating

- You may hear a pinging noise caused by water being picked up and thrown against the condenser on rainy days or when the humidity is high. This design feature helps remove moisture and improve efficiency.
- You may hear the thermostat click when the compressor cycles on and off.
- Water will collect in the base pan during high humidity or on rainy days. The water may overflow and drip from the outdoor side of the unit.
- The fan may run even when the compressor does not.

Abnormal Operation

Problem	Possible Causes	What To Do
Air conditioner does not start	■ The air conditioner is unplugged.	• Make sure the air conditioner plug is pushed completely into the outlet.
	■ The fuse is blown/circuit breaker is tripped.	• Check the house fuse/circuit breaker box and replace the fuse or reset the breaker.
	■ Power failure.	• If power failure occurs, turn the mode control to OFF . When power is restored, wait 3 minutes to restart the air conditioner to prevent tripping of the compressor overload.
Air conditioner does not cool as it should	■ Airflow is restricted.	• Make sure there are no curtains, blinds, or furniture blocking the front of the air conditioner.
	■ The THERMOSTAT may not be set high enough.	• Turn the knob to a higher number. The highest setting provides maximum cooling.
	■ The air filter is dirty.	• Clean the filter at least every 2 weeks. See the operating instructions section.
	■ The room may have been hot.	• When the air conditioner is first turned on you need to allow time for the room to cool down.
	■ Cold air is escaping.	• Check for open furnace floor registers and cold air returns. • Set the air conditioner's vent to the closed position.
	■ Cooling coils have iced up.	• See Air Conditioner Freezing Up below.
Air conditioner freezing up	■ Ice blocks the air flow and stops the air conditioner from cooling the room.	• Set the mode control at High Fan or High Cool with thermostat at 1 or 2.

Before you call for service...