

Shark

MESSMASTER™

Wet/Dry Vacuum



OWNER'S GUIDE

814100182

IMPORTANT SAFETY INSTRUCTIONS

FOR HOUSEHOLD USE ONLY

⚠ WARNING

To reduce the risk of fire, electric shock, injury, or property damage, when using an electrical appliance, basic precautions should always be followed, including the following:

READ ALL INSTRUCTIONS BEFORE USING THIS WET/DRY VACUUM

- Inspect power cord and plug for any damage before use. **DO NOT** use vacuum cleaner with a damaged cord or plug. Turn off all controls before plugging in or unplugging the vacuum cleaner. To minimize the risk of power cord damage, store your vacuum cleaner with the power cord secured around the handle.
- This appliance has a polarized plug. If the plug does not fit fully into the outlet, reverse the plug (one blade is wider than the other). If it still does not fit, contact a qualified electrician. **DO NOT** force into outlet or try to modify to fit.
- Your vacuum cleaner consists of a vacuum pod. This device contains electrical connections, electrical wiring, and moving parts that potentially present a risk to the user. **DO NOT** use when damaged.
- Use only identical replacement parts.
- Carefully observe and follow the instructions provided below to avoid improper use of the appliance. **DO NOT** use the vacuum for any purpose other than those described in this manual.
- Before use, carefully inspect all parts for any damage. **DO NOT** use if any parts are damaged.
- Make sure the dust cup, debris screen, and all filters are in place before plugging in and turning on the unit.
- Do not leave appliance when plugged in. Unplug from outlet when not in use and before servicing.
- The use of an extension cord is **NOT** recommended.
- This vacuum cleaner contains no serviceable parts.
- This appliance can be used by persons with reduced physical, sensory, or mental capabilities or lack of experience and knowledge if they have been given supervision or instruction concerning use of the appliance in a safe way and understand the hazards involved. Cleaning and user maintenance shall not be made by children. Keep the appliance and its cord out of reach of children. **DO NOT** allow the appliance to be used by children. **DO NOT** allow to be used as a toy. Close supervision is necessary when used near children.
- Always turn off the vacuum cleaner before connecting or disconnecting the hose or opening and closing the lid.
- DO NOT** handle the plug or vacuum with wet hands.
- DO NOT** use without filters in place.
- Only use Shark® branded filters and accessories.
- DO NOT** damage the power cord:
 - DO NOT** pull or carry vacuum cleaner by the cord or use the cord as a handle.
- DO NOT** unplug by pulling on cord. Grasp the plug, not the cord.
- DO NOT** run vacuum over the cord, close a door on the cord, pull the cord around sharp corners, or leave the cord near heated surfaces.
- DO NOT** put any objects into end of the hose or accessory openings. **DO NOT** use with any opening blocked; keep free of dust, lint, hair, and anything that may reduce airflow.
- DO NOT** use if the hose or accessory airflow is restricted. If the air paths become blocked, turn the vacuum cleaner off and unplug from electrical outlet. Remove all obstructions before you plug in and turn on the unit again.
- Keep all vacuum openings away from hair, face, fingers, uncovered feet, or loose clothing.
- DO NOT** use if vacuum cleaner is not working as it should, or has been dropped, damaged, left outdoors, or dropped into water.
- Use extra care when cleaning on stairs.
- DO NOT** leave the vacuum cleaner unattended while plugged in.
- DO NOT** expose to rain. Store indoors.
- DO NOT** place vacuum cleaner on unstable surfaces such as chairs or tables.
- DO NOT** use to pick up:
 - Large quantities of dust (e.g., drywall dust, fireplace ash, or embers). **DO NOT** use as an attachment to power tools for dust collection.
 - Smoking or burning objects (e.g., hot coals, cigarette butts, or matches)
 - Flammable or combustible materials (e.g., lighter fluid, gasoline, or kerosene).
 - Toxic materials (e.g., chlorine bleach, ammonia, or drain cleaner)
- To reduce the risk of fire, do not use a flammable or combustible liquid to clean a floor.
- When using on any surface, always keep the end of the hose or accessory moving to avoid damaging the surface (e.g., carpet fibers).
- DO NOT** use in the following areas:
 - Poorly lit areas
 - Spaces that are enclosed and may contain explosive or toxic fumes or vapors (lighter fluid, gasoline, kerosene, paint, paint thinners, mothproofing substances, or flammable dust).
- Turn off all controls before unplugging the vacuum.
- Unplug from electrical outlet when not in use and before any maintenance or cleaning.
- Hand wash components with water, a mild soap, or distilled white vinegar. Washing with harsh cleaning chemicals could damage the unit.

- Allow all filters to air-dry completely before replacing in the vacuum to prevent liquid from being drawn into electric parts.
- Secure the hose around the unit lid and power cord around the handle during storage.
- Make sure the dust cup and all filters are in place after routine maintenance.
- DO NOT** modify or attempt to repair the vacuum yourself. **DO NOT** use the vacuum if it has been modified or damaged.
- To reduce the risk of electrical shock, use indoors only.
- To reduce the risk of electric shock, always install the debris screen before any wet pickup operation.
- To reduce the risk of electrical shock, **DO NOT** immerse the product in water.

39. This appliance is provided with double insulation. Use only identical replacement parts. See instructions for Servicing of Double-Insulated Appliances.

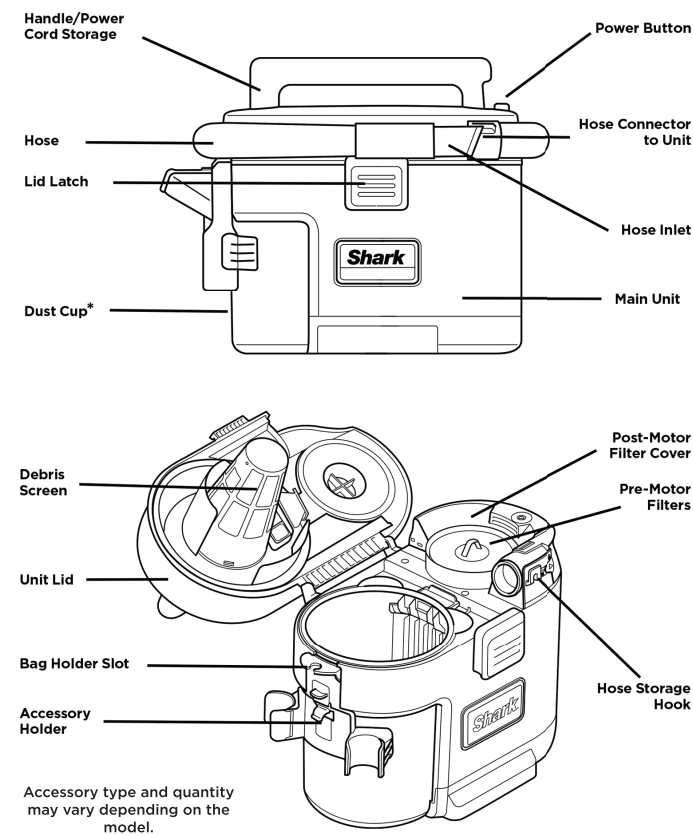
SERVICING OF DOUBLE-INSULATED APPLIANCES

A double-insulated appliance is marked with one or more of the following: The words "DOUBLE INSULATION" or "DOUBLE INSULATED."

In a double-insulated appliance, two systems of insulation are provided instead of grounding. No grounding means is provided on a double-insulated appliance, nor should a means for grounding be added to the appliance. Servicing a double-insulated appliance requires extreme care and knowledge of the system, and should be done only by qualified service personnel. Replacement parts for a double-insulated appliance must be identical to the parts they replace.

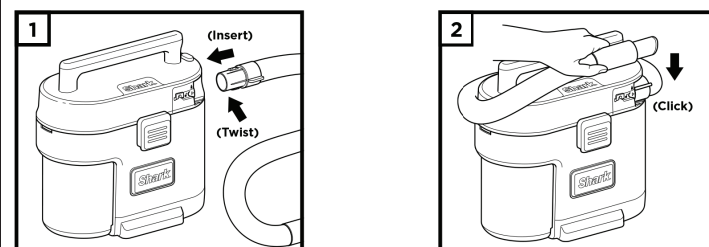
SAVE THESE INSTRUCTIONS

GETTING TO KNOW THE MESSMASTER™

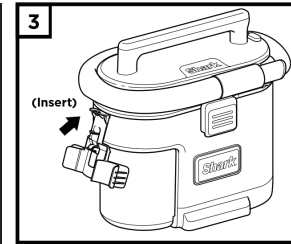


NOTE: *DISHWASHER SAFE.

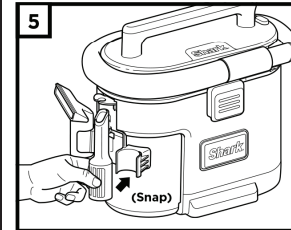
ASSEMBLY



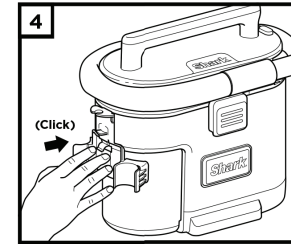
- Place the Main Unit on the floor. To attach the Hose, insert the Hose Connector into the opening on the side of the unit and twist clockwise to the lock symbol.
- Wrap the hose around the Unit Lid. Clip the hose to the unit by sliding the opening on the Hose Inlet down onto the Hose Storage Hook until it clicks into place.



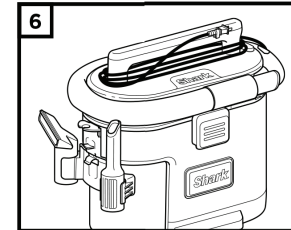
3. Insert the Accessory Holder into the notch on the side of the unit.



5. Insert accessories into the slots on the accessory holder until they snap into place.



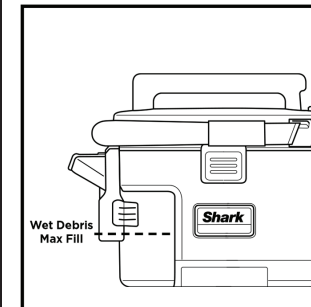
4. Press the base of the accessory holder towards the Dust Cup until it clicks into place.



6. Neatly wrap the cord around the unit handle for storage. Use the cord clip on the plug to hold it securely in place.

USING YOUR MESSMASTER™

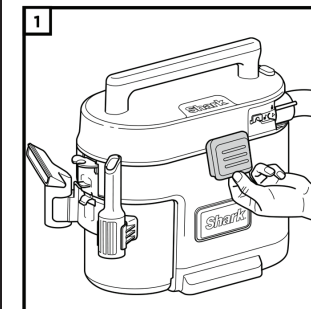
CAPACITY



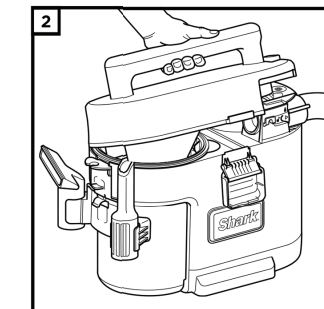
The dust cup has a dry debris capacity of 1 gallon and a wet debris capacity of 1/2 gallon. When vacuuming wet or sloppy messes, **do not fill the dust cup above the Wet Debris Max Fill line.**

When debris reaches the Max Fill line, the float mechanism in the dust cup will rise automatically to cut off airflow. Suction will cease and motor noise will become higher in pitch. When this happens, turn off the vacuum, unplug the power cord, and empty the dust cup.

OPENING THE LID



1. Pull out the bottom of the latch to release, then pull the latch down to unhook from the lid.



2. To open the lid, lift it by the handle.



IMPORTANT: Unplug the power cord before opening the lid.

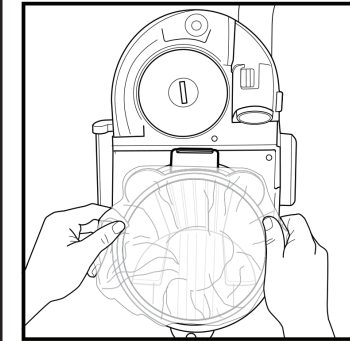
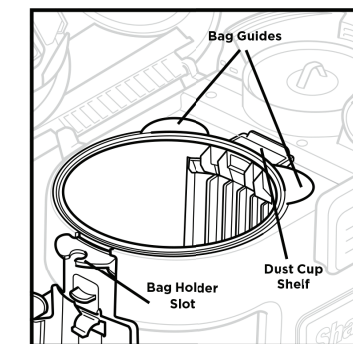
ANYBAG TECHNOLOGY™

The MessMaster can be used **with or without** a bag.

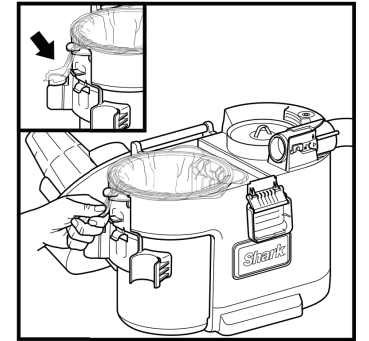
Vacuuming without a bag
You can vacuum straight into the dust cup without a bag. The dust cup is removable and dishwasher safe.

Vacuuming with a bag
Utilize AnyBag Technology by inserting any plastic trash bag (2 to 13 gallons) to line the inside of the dust cup for easy disposal of debris.

Note: Carefully inspect the bag for damage or holes. **DO NOT** use a bag with holes. **DO NOT** use a bag when vacuuming sharp or industrial debris.



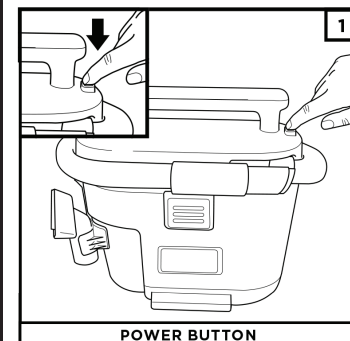
1. Insert an undamaged plastic bag to line the inside of the dust cup. Push the bottom of the bag down to the base of the dust cup.



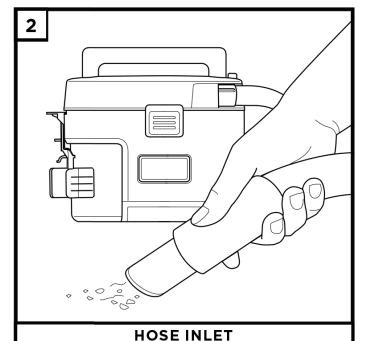
3. Run any excess bag through the Bag Holder Slot on the top of the accessory holder.

USING YOUR MESSMASTER™

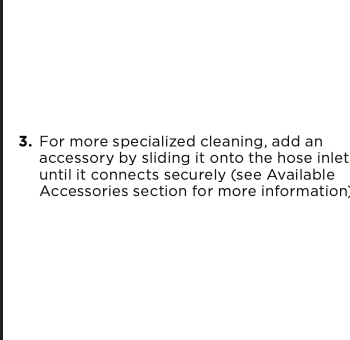
SETUP



1. Press the power button to turn on the vacuum.



2. Use the hose inlet for ANY mess.



3. For more specialized cleaning, add an accessory by sliding it onto the hose inlet until it connects securely (see Available Accessories section for more information).

The images shown here are for illustrative purposes only and may be subject to change.

TECHNICAL SPECIFICATIONS

Voltage: 120V~, 60Hz

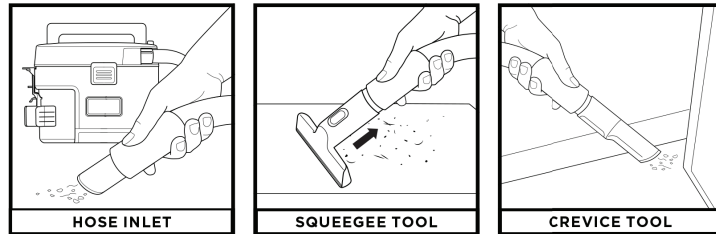
PRINTED IN MEXICO
Elbrd: J.E. SC: 01-16-2024
OBPN: VS100_IB_E_MP_MV13_230523
SHDML: VS101_B
Rev01_07.30.2024 Elbrd.JM_TAB

814100182



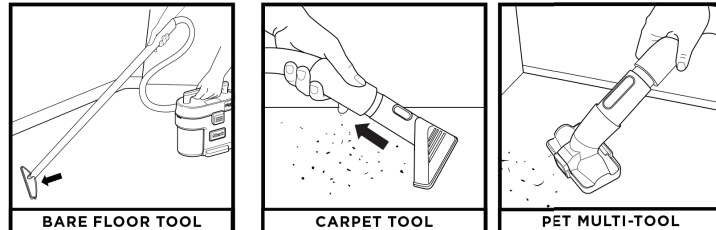
USING YOUR MESSMASTER™

DRY VACUUMING



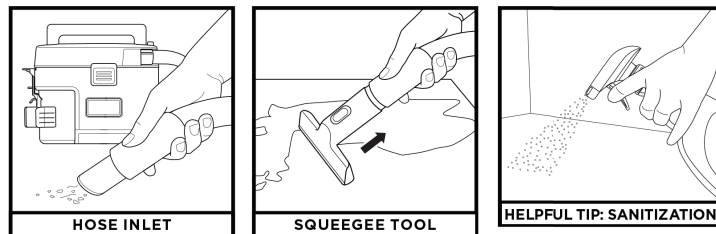
- Option 1:** Use the hose inlet for **ANY** mess.
- Option 2:** For embedded pet hair on carpet and upholstery.
- Option 3:** For crevices, corners, and other tight spaces.

The following dry vacuuming accessories are only included with some units.



- BARE FLOOR TOOL:** For large messes and fine debris on bare floors.
- CARPET TOOL:** For embedded dirt and debris on carpet and upholstery.
- PET MULTI-TOOL:** For pet hair and dusting.

WET VACUUMING

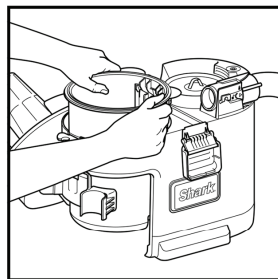


- Option 1:** Use the hose inlet for **ANY** mess.
- Option 2:** For liquid residue.
- HELPFUL TIP: SANITIZATION:**
 - Spray the surface with any all-purpose cleaner.
 - Use the squeegee to vacuum up the cleaning spray.

MAINTENANCE

EMPTYING THE DUST CUP*

IMPORTANT: Unplug the power cord before opening the lid.

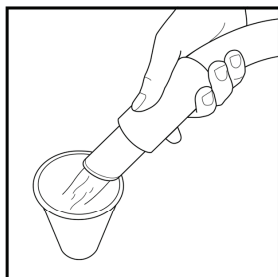


- Always empty the dust cup after vacuuming.
- Open the lid, then lift out the dust cup by the sides. **DO NOT** grab the dust cup by the bag guides.
 - Dump remaining debris into the trash and rinse out the dust cup with warm water.
 - Allow the dust cup to air-dry completely before reinstalling it back into the unit.

The images shown here are for illustrative purposes only and may be subject to change.

NOTE: *DISHWASHER SAFE.

RINSING THE HOSE, LID, AND DUST CUP



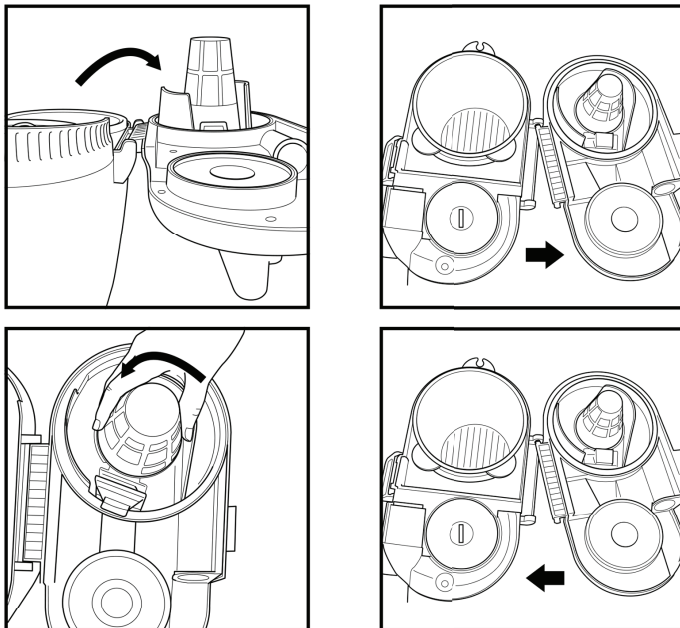
- Run a Rinse & Ready cleaning cycle after picking up any **wet** or **organic mess**.
- Empty the dust cup or remove and dispose of the bag.
 - Vacuum up 10 oz. of water from a cup, bowl, or other container.
 - Unplug the unit and open the lid. If any stubborn debris remains, follow the instructions in the Cleaning the Lid and Debris Screen section.

NOTE: You can also mix 10 oz. of water and 0.5 oz. of distilled white vinegar for the Rinse & Ready cycle.

RINSING THE LID AND DEBRIS SCREEN

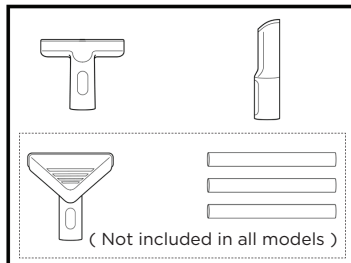
IMPORTANT: Unplug the power cord before performing any maintenance.

Rinse the lid and debris screen after picking up any **wet** or **organic mess**.



- Open the lid to a 180-degree angle then pull out to detach it from the hinges.
- Twist the debris screen counterclockwise and pull it out.
- Rinse the lid and debris screen in the sink with warm water. Allow the lid and debris screen to air-dry completely before reinstalling.
- To reinstall the debris screen, align the arrow in the lid with the arrow on the side of the debris screen and twist clockwise to the lock symbol to secure.
- To reattach the lid, align the hinge connection points at 180 degrees and push until it snaps into place.

CLEANING THE ACCESSORIES



The Squeegee Tool*, Crevice Tool*, Claw Tool*, and 3-Piece Extension Wand* should be cleaned after picking up any **wet** and **organic** mess.

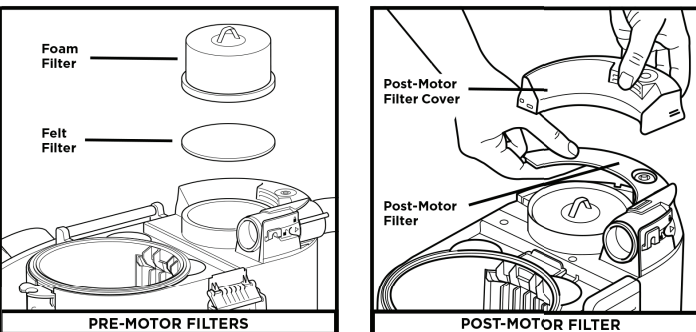
- Rinse the accessories in the sink with warm, soapy water.
- Allow accessories to air-dry completely.

Accessory type and quantity may vary depending on the model.

NOTE: *DISHWASHER SAFE.

CLEANING THE FILTERS

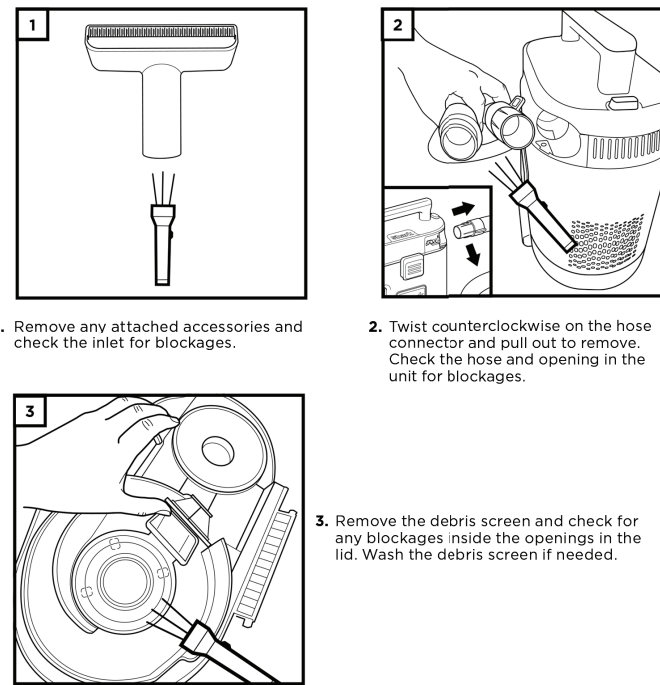
Regularly rinse and replace the filters to maintain your vacuum's suction power. The pre- and post-motor filters should be cleaned **once a month** and replaced **once a year** for optimal performance.



- Lift out the foam filter by the handle, then pull out the felt filter.
- Wash both filters with cold water **ONLY**. **DO NOT** use soap. Allow both filters to air-dry completely before reinstalling.
- Reinsert the post-motor filter back into the opening, then place the cover over it and press down until it clicks into place.

IMPORTANT: DO NOT use soap when cleaning the filters.

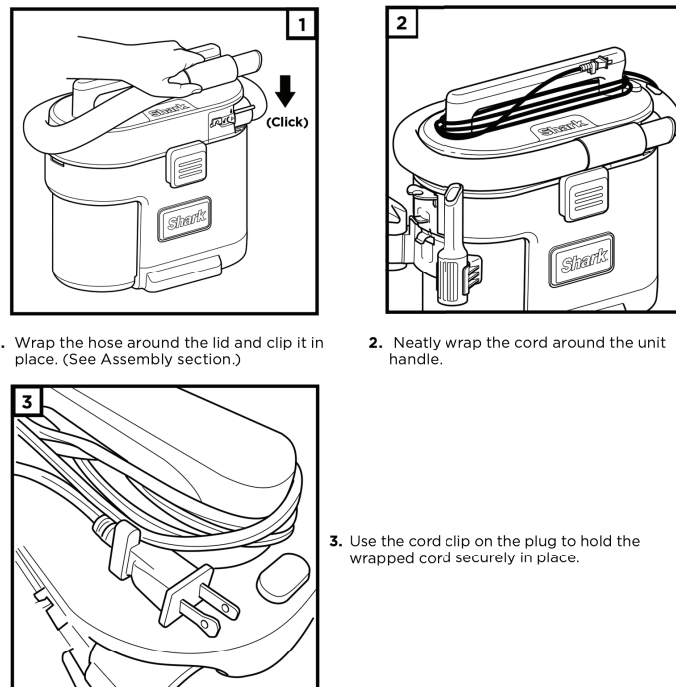
CHECKING FOR BLOCKAGES



- Remove any attached accessories and check the inlet for blockages.
- Twist counterclockwise on the hose connector and pull out to remove. Check the hose and opening in the unit for blockages.
- Remove the debris screen and check for any blockages inside the openings in the lid. Wash the debris screen if needed.

STORAGE

Before storing the MessMaster™, empty the dust cup. Clean the unit and allow all parts to air-dry completely. Always store the MessMaster indoors.



- Wrap the hose around the lid and clip it in place. (See Assembly section.)
- Neatly wrap the cord around the unit handle.
- Use the cord clip on the plug to hold the wrapped cord securely in place.

The images shown here are for illustrative purposes only and may be subject to change.

NOTE: In order to ensure the highest possible standard for refurbished items, all units are thoroughly inspected as part of the process. For this item, water may be used during the refurbishing process and so; you may notice some condensation in the water reservoir. It is recommended to rinse the water reservoir with fresh water prior to its first use.

TROUBLESHOOTING

WARNING: To reduce the risk of shock and unintended operation, turn off power before servicing.

ISSUE	WHAT IT MEANS	WHAT TO DO
Vacuum will not operate.	1) No power supply.	1) Check power cord, breakers, fuses.
	2) Faulty power cord.	2) Unplug and check the power cord. If damaged, have it repaired by a professional.
Fine dust comes out from the motor exhaust.	1) The pre- or post-motor filters are missing or need maintenance.	1) Follow the instructions in the Cleaning the Filters section.
No/low suction.	1) There are blockages in the accessory, hose, hose port, debris screen, or lid openings.	1) Unplug and check accessories, hose, hose port, debris screen, and lid openings for blockages.
	2) The pre- and post-motor filters need maintenance.	2) Follow the instructions in the Cleaning the Filters section.
	3) Dust cup is full.	3) Empty the dust cup.
	4) The bag was not inserted correctly.	4) Carefully follow the instructions in the AnyBag Technology™ Section.
Motor noise.	1) Dust cup filled beyond max fill line and float valve has been activated.	1) Empty the dust cup.
	2) The pre- and post-motor filters need maintenance.	2) Take out the filters and clean with cold water only or install new filters.
Wet debris leaking.	1) Dust cup filled beyond Wet Debris Max Fill line.	1) Follow the instructions in the Maintenance section. Once complete, plug in and turn on the vacuum. Allow it to run for 2 minutes to dry out.
Vacuum is emitting air that smells bad.	1) The unit needs to be cleaned.	2) Follow the instructions in the Maintenance section.
Vacuum turns off while vacuuming.	1) Motor has overheated.	1) Shut the vacuum off, unplug, and let it sit for 60 minutes.

For all other issues, please contact a service center.

REFURBISHED PRODUCT LIMITED NINETY DAYS WARRANTY

The **Refurbished Product Service Center** offers the following WARRANTY to the ORIGINAL purchaser of a product which we have refurbished.

This product that has been refurbished is warranted against any electronic or mechanical defects for a period of NINETY DAYS from the date of the original purchase by the consumer. Since this unit was sold as a refurbished item, the warranty does not apply to any cosmetic appearance items such as scratches. Should a defect occur, the **Refurbished Product Service Center** will repair or, at its option, replace defective unit/parts with new or rebuilt materials without charge for either parts or labor. Replacement unit/parts will be warranted for the remaining portion of the original warranty period.

This warranty does not cover installation or damage from accident, misuse, abuse, improper wiring, incorrect voltage, operating the unit against the instructions in the owner's manual or any product which has been opened, altered, or tampered with.

This warranty does not cover costs for removal and or installation of the unit for repair. Under no circumstances shall the service center be liable for any special, incidental or consequential damages or for any other expenses incurred by reason of use or sale of this product. This warranty is in lieu of any other warranties expressed or implied warranty of merchantability of fitness for particular use or otherwise.

This warranty gives the consumer specific legal rights and they may also have other rights which vary from State to State. Some States do not follow the exclusion or limitation of incidental or consequential damages, hence the above exclusion and limitations may not apply.

Refurbished Product Service Center
9043 Siempre Viva Rd Suite 110/120, San Diego CA, 92154

WARRANTY REPAIR INFORMATION

If you need service on your unit and this product requires repair during the 90 days warranty period; please go to www.ConsumerServiceRefurbish.com or call the **Refurbished Product Service Center** at 562-946-3531 to obtain the required return authorization (RA) number. Pack the unit properly (the original carton is ideal for this purpose) along with a copy of your purchase receipt and a letter describing the problem. Send the unit freight prepaid and insured to:

Refurbished Product Service Center,
Att: Customer Service Department 9043 Siempre Viva Rd Suite 110/120, San Diego CA, 92154

Your unit will be promptly repaired and returned to you. We will refuse to accept delivery of the returned unit unless the assigned RA number appears on the outside of the shipping carton.

Owner's Information
(Keep for your permanent records)

NAME: _____
 ADDRESS: _____
 CITY: _____ STATE: _____ ZIP CODE: _____
 PHONE: _____ E-MAIL: _____
 MODEL: _____ SERIAL NO.: _____

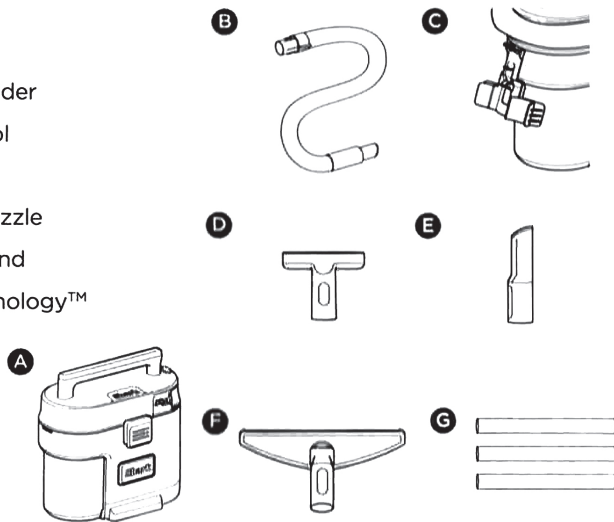


Please be sure to read the enclosed Shark® Owner's Guide prior to using your unit.

QUICK START GUIDE

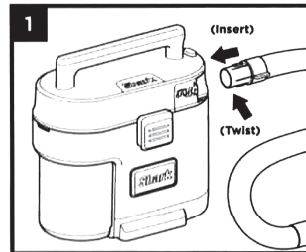
WHAT'S INSIDE

- A Main unit
- B Hose
- C Accessory holder
- D Squeegee Tool
- E Crevice Tool
- F Bare Floor Nozzle
- G Extension Wand
- H AnyBag Technology™ Starter Bags

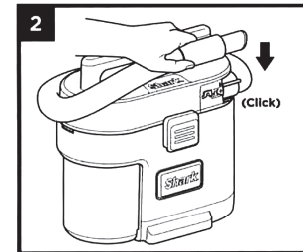


Accessory type and quantity may vary depending on the model.

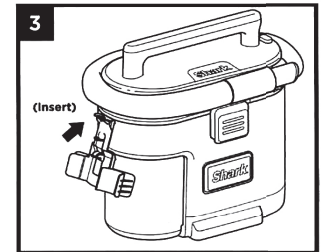
ASSEMBLY



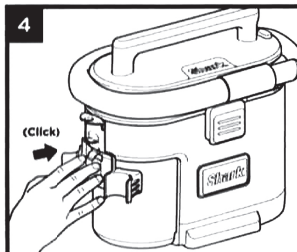
1. Place the **Main Unit (A)** on the floor. To attach the **Hose (B)**, insert the hose connector into the opening on the side of the unit and twist clockwise to the lock symbol.



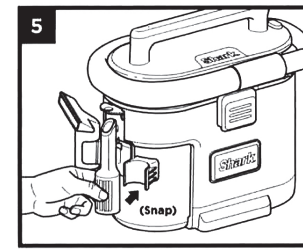
2. Wrap the hose around the unit lid. Clip the hose to the unit by sliding the opening on the hose inlet down onto the hose storage hook until it clicks into place.



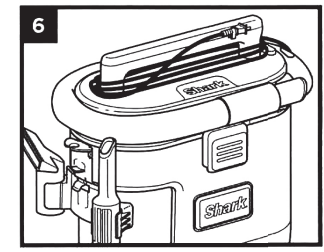
3. Insert the **Accessory Holder (C)** into the notch on the side of the unit.



4. Press the base of the accessory holder towards the dust cup until it clicks into place.



5. Insert accessories into the slots on the accessory holder until they snap into place.



6. Neatly wrap the cord around the unit handle for storage. Use the cord clip on the plug to hold the wrapped cord securely in place.

The image shown here is for illustrative purposes only and may be subject to change.

