

Use & Care Guide
Guide d'Utilisation et d'Entretien
Manual de Uso y Cuidado
English / Español / Français

Models/Modelos/Modèles: 630.1399 *

Kenmore Elite[®]

Dishwasher

Lave Vaisselle

Lavadora de Platos

* = color number, número de color, le numéro de la couleur

P/N 9000531214 Rev. A

Sears Brands Management Corporation
Hoffman Estates, IL 60179 U.S.A.
www.kenmore.com
www.sears.com

Sears Canada Inc.
Toronto, Ontario, Canada M5B 2B8
www.sears.ca



TABLE OF CONTENTS

Warranty Information.....	3
Important Safety Instructions.....	4-5
Dishwasher Components.....	6
Dishwasher Features.....	7
Dishware Materials.....	7
Loading the Dishwasher.....	8
Loading the Silverware.....	9
Rack Features and Accessories.....	10
Water Softening System.....	11
Detergent.....	12
Rinse Agent.....	13
Dishwasher Cycles and Options.....	14-15
Operating the Dishwasher.....	16
Care and Maintenance.....	17-18
Troubleshooting.....	19-21

PRODUCT RECORD

In the space below, record the date of purchase, model, and serial number of your product. You will find the model and serial number printed on an identification label inside the dishwasher. Have this information available whenever you contact Sears about your product.

Model No. _____

Date of Purchase _____

Serial No. _____

Save this information and your sales receipt for future reference!

PROTECTION AGREEMENTS

Master Protection Agreements

Congratulations on making a smart purchase. Your new Kenmore® product is designed and manufactured for years of dependable operation. But like all products, it may require preventive maintenance or repair from time to time. That's when having a Master Protection Agreement can save your money and aggravation. The Master Protection Agreement also helps extend the life of your new product. Here's what the Agreement includes: Parts and labor needed to help keep products operating properly under normal use, not just defects.

Our coverage goes well beyond the product warranty. No deductible, no functional failure excluded from coverage - real protection.

- Expert service by a force of more than 10,000 authorized Sears service technicians, which means someone you can trust will be working on your product.
- Unlimited service calls and nationwide service, as often as you want us, whenever you want us.
- "No-lemon" guarantee - replacement of your covered product if four or more product failures occur within twelve months.
- Product replacement if your covered product can't be fixed.
- Annual Preventive Maintenance Check at your request - no extra charge,
- Fast help by phone - we call it Rapid Resolution. Phone support from a Sears representative on all products, Think of us as a "talking owner's manual."
- Power surge protection against electrical damage due to power fluctuations.
- \$250 food loss protection annually for any food spoilage that is the result of mechanical failure of any covered refrigerator or freezer,
- Rental reimbursement if repair of your covered product takes longer than promised.
- 10% discount off the regular price of any non-covered repair service and related installed parts Once you purchase the Agreement, a simple phone call is all that it takes for you to schedule service. You can call anytime day or night or schedule a service appointment online.

The Master Protection Agreement is a risk-free purchase. If you cancel for any reason during the product warranty period, we will provide a full refund, or a prorated refund anytime after the product warranty period expires.

Purchase your Master Protection Agreement today!

Some limitations and exclusions apply.

For prices and additional information in the U.S.A. call 1-800-827-6655.

•Coverage in Canada varies on some items.

For full details call Sears Canada at 1-800-361-6665.

Sears Installation Service

For Sears professional installation of home appliances, garage door openers, water heaters, and other major home items, in the U.S.A. or Canada call

1-800-4-MY-HOME®.

WARRANTY INFORMATION

Kenmore Elite Limited Warranty

When this appliance is installed, operated and maintained according to all supplied instructions, the following warranty coverage applies. To arrange for warranty service, call 1-800-4-MY-HOME® (1-800-469-4663).

- For two years from the date of purchase, any part of the dishwasher that fails due to defective materials or workmanship will be replaced free of charge. After the first year from purchase date, the customer assumes any labor costs associated with replacement of these parts.
- For five years from the date of purchase, any part of the upper or lower dish rack that rusts due to defective materials or workmanship will be replaced free of charge. After the first year from purchase date, the customer assumes any labor costs associated with dish rack replacement.
- If a leak ever occurs as a result of rust-through of the stainless steel tub or inner door panel, the tub or panel will be replaced free of charge.

This warranty applies for only 90 days from the date of purchase if this appliance is ever used for other than private family purposes.

This warranty covers only defects in material and workmanship, and will NOT pay for:

1. Expendable items that can wear out from normal use, including but not limited to filters, belts, light bulbs, and bags.
2. A service technician to instruct the user in correct product installation, operation or maintenance.
3. A service technician to clean or maintain this product.

4. Damage to or failure of this product if it is not installed, operated or maintained according to the all instructions supplied with the product.
5. Damage to or failure of this product resulting from accident, abuse, misuse or use for other than its intended purpose.
6. Damage to or failure of this product caused by the use of detergents, cleaners, chemicals or utensils other than those recommended in all instructions supplied with the product.
7. Damage to or failure of parts or systems resulting from unauthorized modifications made to this product.

Disclaimer of implied warranties; limitation of remedies

Customer's sole and exclusive remedy under this limited warranty shall be product repair as provided herein. Implied warranties, including warranties of merchantability or fitness for a particular purpose, are limited to one year or the shortest period allowed by law. Sears shall not be liable for incidental or consequential damages. Some states and provinces do not allow the exclusion or limitation of incidental or consequential damages, or limitation on the duration of implied warranties of merchantability or fitness, so these exclusions or limitations may not apply to you.

This warranty applies only while this appliance is used in the United States or Canada.

This warranty gives you specific legal rights, and you may also have other rights which vary from state to state.

Sears Brands Management Corporation, Hoffman Estates, IL 60179

Sears Canada Inc., Toronto, Ontario, Canada M5B 2B8



SAFETY MESSAGES - Please READ and SAVE this information

We have provided many important safety messages in this manual and on your appliance. Always read and obey all safety messages.



WARNING

- Misuse of the dishwasher can result in serious injury or death. Do not use the dishwasher in any way not covered in this manual or for any purpose other than those explained in the following pages.
- Severe product damage and/or injury could result from the use of unqualified service technicians or non-original replacement parts. All repairs must be performed by a qualified service technician using only original equipment factory replacement parts.
- Electrical shock or fire could result if the electrical supply for the dishwasher covered in this manual is incorrectly installed or if the dishwasher has been improperly grounded. Do not use the dishwasher covered in this manual unless you are certain the electrical supply has been correctly installed or the dishwasher has been properly grounded.
- Never use harsh chemicals to clean your dishwasher. Some chloride-containing products can damage your dishwasher and may present health hazards!

NOTICE

- It is highly recommended for the end user to become familiar with the procedure to shut off the incoming water supply and the procedure to shut off the incoming power supply. See the installation Instructions or contact your installer for more information.
- Never use steam cleaning products to clean your dishwasher. The manufacturer will not be liable for the possible damages or consequences.

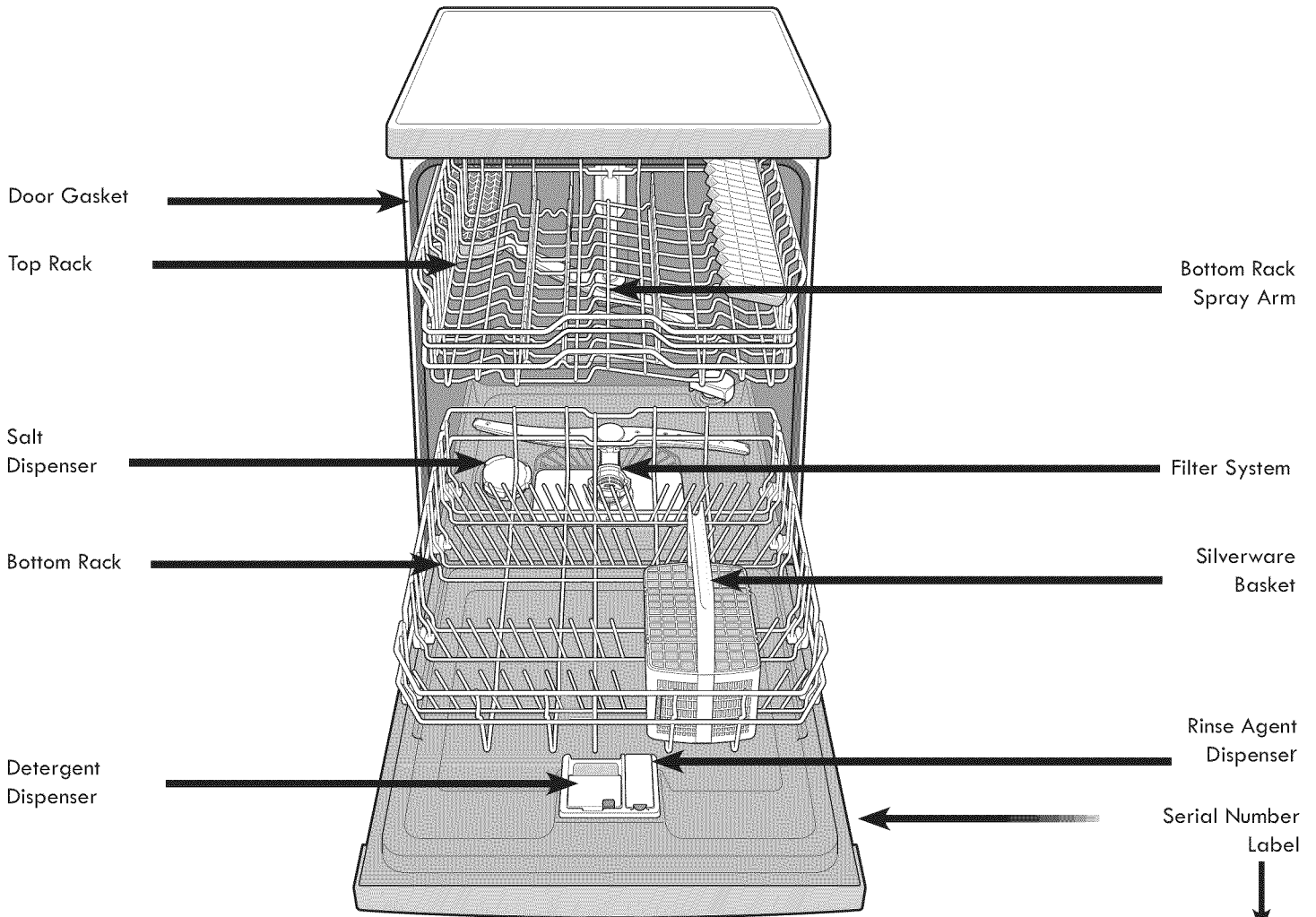


IMPORTANT SAFETY INSTRUCTIONS- Please READ and SAVE this information

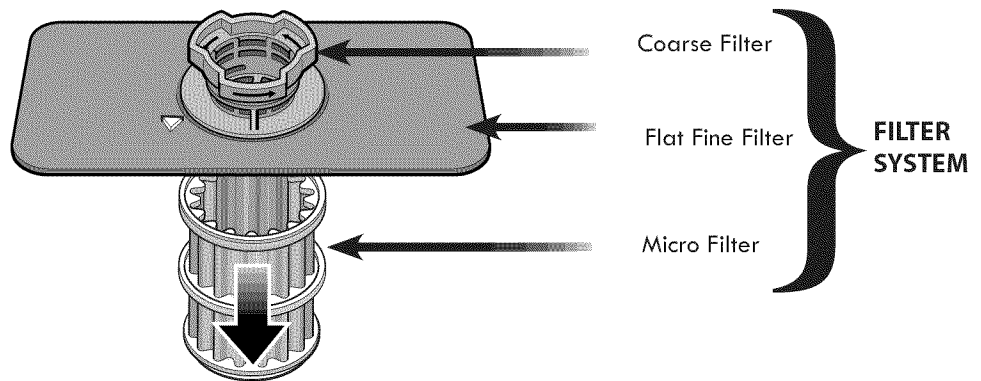
WARNING: To reduce the risk of fire, electrical shock, or serious injury, observe the following:

- This dishwasher is provided with Installation Instructions and this Use and Care Manual. Read and understand all instructions before installing or using the dishwasher.
- This appliance must be grounded to a metal, permanent wiring system, or an equipment grounding conductor must be run with the circuit conductors and connected to the equipment grounding terminal or lead on the dishwasher. See the Installation Instructions included with this dishwasher for more information on electrical requirements.
- Use this dishwasher only for its intended function, which is the washing of household dishware and kitchenware.
- Use only detergents or rinsing agents recommended for use in a dishwasher, and keep them out of the reach of children.
- When loading items to be washed:
 - a. Locate sharp items so that they are not likely to damage the door seal.
 - b. Load knives and other sharp utensils with their HANDLES UP to reduce the risk of cut-type injuries.
 - c. Do not wash plastic items unless they are marked “dishwasher safe” or the equivalent. For plastic items not so marked, check the manufacturer’s recommendations.
 - d. Do not operate your dishwasher unless all enclosure Panels are in place.
 - e. Do not tamper with or override controls and interlocks
- Do not abuse, sit on, or stand on the door or dish racks of the dishwasher.
- To reduce the risk of injury, do not allow children to play in or on the dishwasher.
- When children become old enough to operate the appliance, it is the legal responsibility of the parents or legal guardians to ensure that they are instructed in safe practices by qualified persons.
- Under certain conditions, hydrogen gas may be produced in a hot water system that has not been used for two weeks or more. Hydrogen gas is explosive. Before using a dishwasher that is connected to a hot water system that has been unused for two weeks or longer, turn on all hot water faucets and let the water flow from each for several minutes, open windows to ventilate the house. This will release any accumulated hydrogen gas. As the gas is explosive, do not smoke or use an open flame during this time.
- Remove the dishwasher door to the washing compartment when removing an old dishwasher from service or discarding.
- To avoid floor damage and possible mold growth, do not allow wet areas to remain around or under the dishwasher.
- Protect your dishwasher from the elements. Protect against freezing to avoid possible damage to the fill valve. Damage caused by freezing is not covered by the warranty.

DISHWASHER COMPONENTS



Features vary by model



DISHWASHER FEATURES

Quiet Guard™ Ultra: A two-pump motor system, the Suspended Motor and triple insulation make this dishwasher one of the quietest in North America.

Stainless Steel Giant Tub: A rust-free, hygienic interior surface.

Nylon Coated Racks: Greatly reduces cuts and nicks.

Concealed Heating Element: Heats water up to a sanitizing temperature.

EcoDry: A high temperature final rinse, a low temperature stainless steel tub, and the sheeting action of a rinse agent result in drying that is hygienic, energy efficient, and economical.

SmartSensor: Checks water condition and decides whether a second fresh water fill is necessary.

Triple Filtration System: Multiple filters ensure distribution of clean water and protect the main pump and the drain pump from foreign material.

Water Shut-Off: A safety feature that stops the flow of incoming water, if water is detected in the base of the dishwasher.

Upper Rack & Lower Rack Flip Tines: Increase the rack flexibility to accommodate larger/taller items.

Dry Assist: Raises the temperature of the rinse water and increases the drying time which will result in improved drying.

Time Assist

Reduces the amount of time it takes to complete a cycle while maintaining a high performance level.

Adjustable Racks: The top rack can be raised or lowered to accommodate tall items in the top and bottom racks.

SmartWash™ HE: Takes the guesswork out of cycle selection. The sensors in the dishwasher automatically adjust the cycle length, temperature and water changes based on the soil load.

TurboClean™: Tackles hard-to-clean dishes in the lower rack, eliminating the need to soak and scrub heavily soiled dishes.

AquaGuard™ Ultimate: Leak protection system that cuts water off in case of leaks.

DISHWASHER MATERIALS

NOTE: Before using your dishwasher for the first time, check the information in this section. Some items are not dishwasher safe and should be handwashed; others require special loading and care.

RECOMMENDED

Aluminum: Colored anodized aluminum may fade over time. Minerals in your water may cause the aluminum to darken or spot. This can usually be removed with a soap-filled steel wool pad.

China, Crystal, Stoneware: Some hand-painted utensils may discolor, fade, or spot. Hand-wash these utensils. Position fragile glassware so that it will not topple over or come in contact with other utensils during the wash cycle.

Glass: Milk glass may discolor or become yellow.

Non-stick Coatings: Apply a light coating of vegetable oil to non-stick surfaces after drying.

Plastics: Make sure the plasticware is dishwasher safe.

Stainless Steel, Sterling Silver, and Silver Plates: Load these utensils in a way that they do not come in contact with other metals.

NOT RECOMMENDED

Acrylic: Crazeing (small cracks throughout the acrylic) may occur.

Adhesive-Joined Pieces: Adhesives that join materials such as plastic, wood, bone, steel copper, tin, etc. may loosen.

Bone-Handled Utensils: Handles may separate.

Iron, Cast Iron: Iron will rust. Hand-wash and dry immediately.

Non-Dishware Items: Your dishwasher is intended for use in cleaning ONLY standard household dishware and kitchenware.

Pewter, Brass, Bronze: Pewter will tarnish. Hand-wash and dry immediately.

Tin: Tin will stain. Hand-wash and dry immediately.

Wood: Wooden bowls, wooden utensils, and utensils with wooden handles can crack, warp, and lose their finish.

Gold: Gold will discolor

LOADING THE DISHWASHER

Do not pre-wash items that have loosely attached soiling. Remove large food particles, bones, seeds, toothpicks, and excessive grease. Items having burned-on, baked-on or starchy soils may require pre-treatment.

Refer to the *Dishware Materials* section for more information about dishware suitability.

- Load only dishwasher-safe items into the dishwasher.
- Load dishes in the dishwasher racks so that the insides of bowls, pots and pans are facing the spray arms.
- Avoid nesting and contact points between dishes.
- Separate items of dissimilar metals.
- Load dishes and glasses at an angle to avoid puddling and improve drying performance.

NOTICE

To avoid dishwasher damage, do not load the dishwasher with paper products, plastic bags, packing materials, or anything other than normal, dishwasher-safe dishware and kitchenware.

Loading the Top Rack

NOTE: Ensure items do not protrude through the bottom of the racks and block the spray arms.

NOTE: When pushing the top rack into the dishwasher, push it until it stops against the back of the tub so the top rack spray arm will connect to the water supply at the back of the tub. Do not push the top rack with the door.

Loading the Bottom Rack

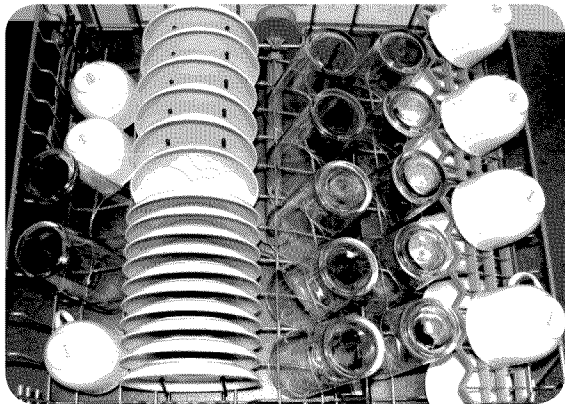
Place large items in the bottom rack. Load pots, pans and bowls with the dirty surfaces facing the spray arms.

Unloading Sequence

- Unload the bottom rack first.
- Unload the silverware basket.
- Unload the top rack.

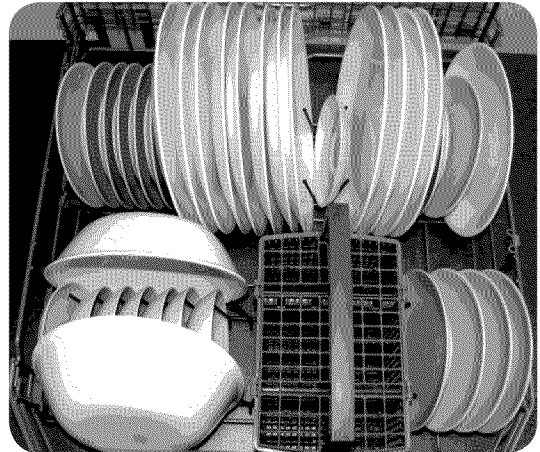
NOTE: Do not use rubber bands (to hold items in place in the racks) or any other after market parts in your dishwasher. The use of such items could potentially damage the drain pump.

TOP RACK - SUGGESTED LOADING PATTERN

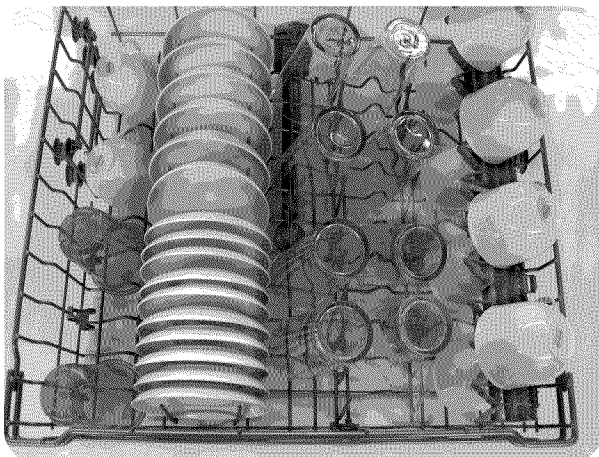


NOTE: Load cups and glasses between tines. Loading over the tines can cause breakage or water spots.

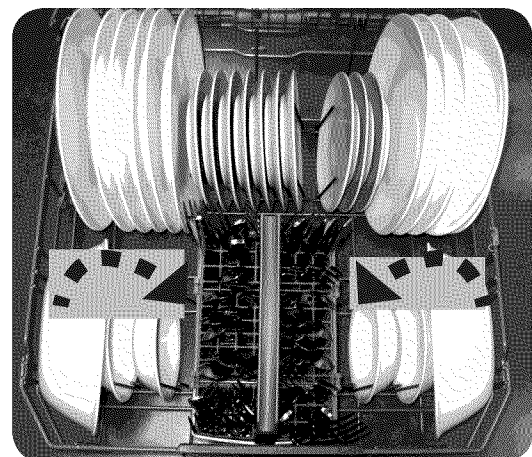
BOTTOM RACK - SUGGESTED LOADING PATTERN



TOP RACK - ADDITIONAL LOADING PATTERN



BOTTOM RACK - ADDITIONAL LOADING PATTERN



NOTE: Tilt the big bowls towards the silverware basket as shown above.

LOADING THE SILVERWARE

NOTE: The silverware basket tops can be folded up to accommodate large or oddly-shaped items.

With the silverware basket tops down, load the silverware basket following the patterns suggested below.

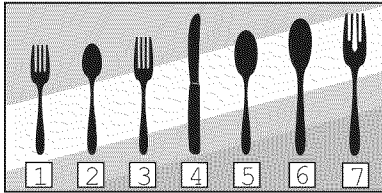
Place knives and sharp utensils with their handles up, and forks and spoons with their handles down. If large or oddly-shaped items are to be loaded into the silverware basket with the tops up, load the items so that they do not nest together.

For best results, use the suggested loading patterns shown below.

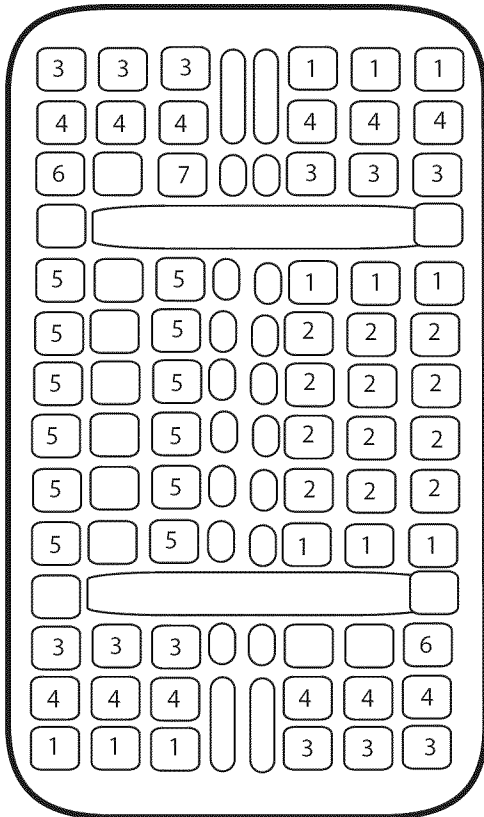


WARNING

The sharp points and edges of knives and other sharp utensils can cause serious injuries. Load knives and other sharp utensils with edges down. Do not allow children to handle or play near knives and sharp utensils.



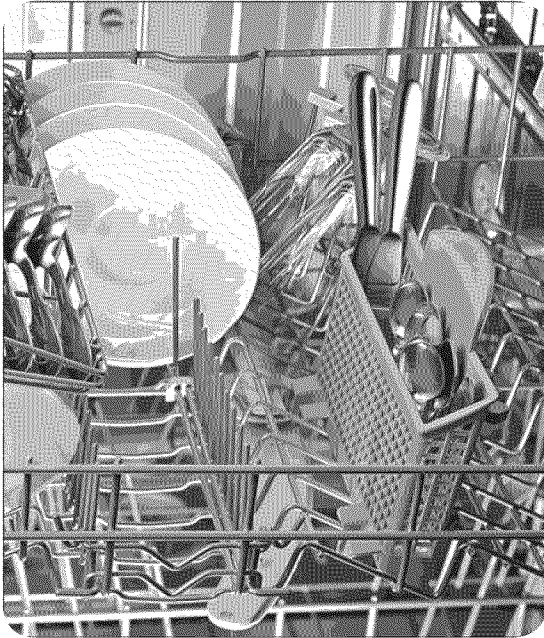
- | | | |
|----------------|------------------|-------------------|
| 1 - Salad Fork | 3 - Dinner Fork | 5 - Tablespoon |
| 2 - Teaspoon | 4 - Knife | 6 - Serving Spoon |
| | 7 - Serving Fork | |



RACK FEATURES & ACCESSORIES

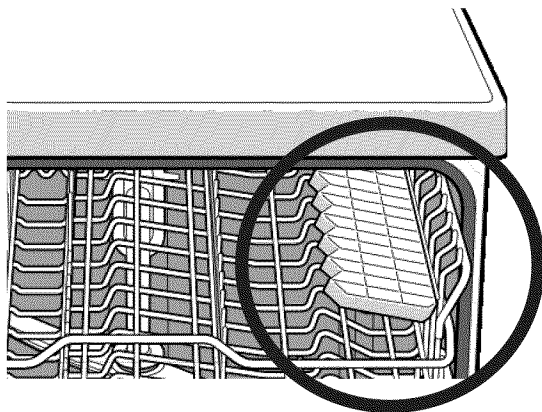
SMALL CUTLERY BASKET

In addition to the flexible silverware basket, your dishwasher comes with an additional small cutlery basket in which to place extra flatware.



CUP SHELVES

Cup shelves are used to hold cups and other large items such as ladles and serving spoons. To use the cup shelves, fold them downwards so that they are positioned as shown below. Place cups upside down on the shelves.

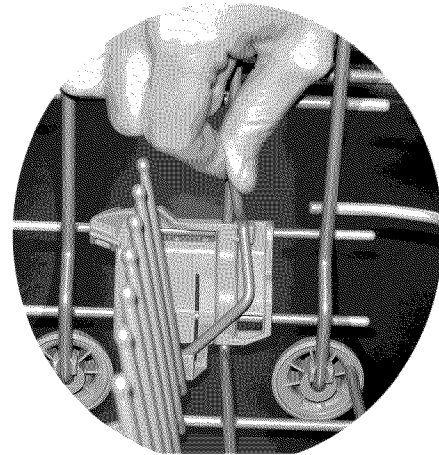


FLIP TINES

The racks consist of tines that you can fold down or raise, depending on what you need to load in the rack.

To fold down:

- Grasp the tine near the locking mechanism.
- Release from notch.
- Push downwards.



TOP RACK HEIGHT ADJUSTMENT

The top rack can be raised or lowered to accommodate large items in either rack.

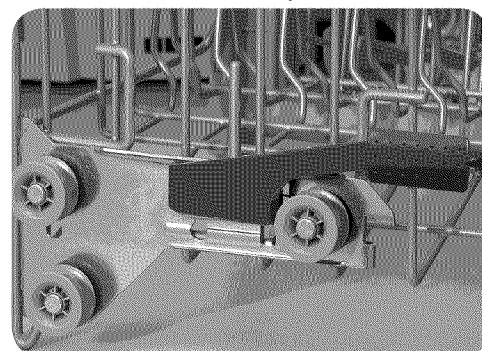
NOTE: Before you push the top rack into the dishwasher, ensure that the rack height is the same on both sides. Otherwise, the dishwasher door will not shut and the top rack spray arm will not connect to the water circuit.

To raise the top rack:

- Pull the empty top rack out of the dishwasher until it stops.
- Grasp the top of the rack above the Automatic Height Adjustable Top Rack handles and pull it upward until the handles lock the rack into position (you do not need to press the handles in order to raise the rack).

To lower the top rack:

- Pull the top rack out of the dishwasher until it stops.
- Press the Automatic Height Adjustable Top Rack handles inward and let the rack drop.



WATER SOFTENING SYSTEM & SALT

The dishwasher requires soft water to ensure proper washing results. Your appliance is equipped with an internal water softening system. However, if you have a household water softening system, you will not need to use this softening system.

The required amount of salt depends on the degree of hardness of your tap water.

(See table for more information)

For the water softening system to function properly, it will need to use dishwasher water softener salt.

Water Hardness ppm CaCO ₃ /l	Grains per Gallon	Setting	Salt Required
0-110	0 - 6	H:00	-
120-140	7 - 8	H:01	YES
150-180	9 - 10	H:02	YES
190-210	11 - 12	H:03	YES
220-290	13 - 17	H:04	YES
300-370	17 - 21	H:05	YES
380-540	22 - 31	H:06	YES
550-890	32 - 52	H:07	YES

The amount of salt dispensed can be set from “**H:00**” to “**H:07**”. Salt is not required at **H:00** (this is the default setting).

- Open the door.
- Turn the unit on by pressing the “POWER” button.
- Hold down the “CHINA GENTLE” and press “START” until the display indicates “**H:00**”.
- Release both buttons.

To change the setting,

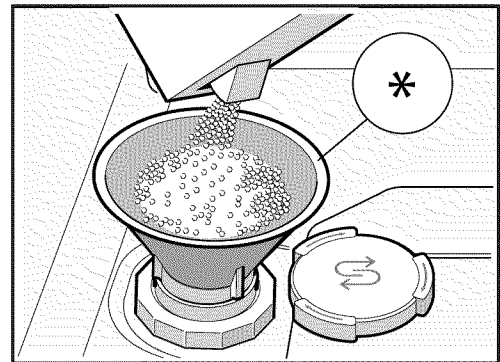
- Press “FAST WASH” until desired setting appears.
- Press the START button to save the selected setting.
- Close the door.

Using salt

Fill the salt dispenser (using the funnel supplied to pour) before turning the unit ON to ensure that salt overflow is immediately washed away. This prevents corrosion.

- Open the screw-type cap of the salt dispenser.
- Fill the tank with water (only required when switching on the unit for the first time).
- Add salt (dishwasher water softening salt) until the water is displaced and runs out.
- Fill with salt as soon as the salt refill symbol illuminates.

NOTE: Refill salt in the appliance only when the salt refill indicator is lit.



Do not use salt tablets or any salt other than dishwasher water softening salt.



WARNING

Never fill the salt dispenser with detergent. It will destroy the water softening system. To prevent corrosion, refill with salt and immediately begin any cycle.

DETERGENT

Detergent

Use only detergent specifically designed for dishwashers. For best results, use fresh powdered dishwashing detergent.

NOTICE

To avoid dishwasher damage, do not use hand dishwashing products in your dishwasher.

To avoid dishwasher damage, do not use too much detergent if your water is soft as it may cause etching in glassware.

The dishwasher uses less water so you need to use less detergent. With soft water, 1 tbsp. (15ml) of detergent will clean most loads. The detergent dispenser cup has lines that measure detergent to:

- 1 tablespoon (15ml)
- 1.75 tablespoons (25ml)

3 tablespoons (45ml) of detergent will completely fill the detergent dispenser cup.

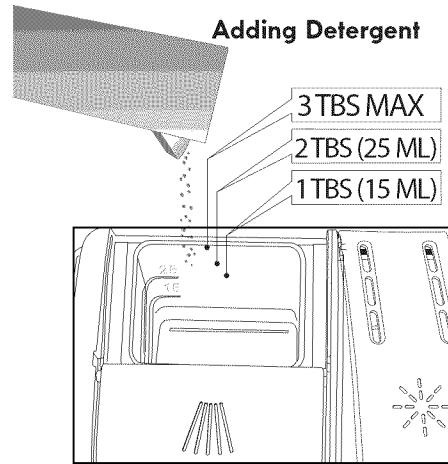
NOTE: If you do not know the hardness of your water supply, use 1 tbsp. (15ml) of detergent. Increase the amount, if necessary, to the least amount required to get your kitchenware clean.

Use the measuring lines in the detergent dispenser cup to measure the amount of detergent recommended in the

Recommended Detergent Amount				
		Water Type		
Wash Cycle	Unit	Hard 7.0 gr/gal or more	Medium 7.0-1.0 gr/gal	Soft less than 1.0 gr/ gal
SmartWash™ HE	Tbsp	3	3	1-1.75
	ml	25-45	45	15-25
Pots & Pans	Tbsp	3	3	1.75-3
	ml	45	45	25-45
Normal Wash	Tbsp	25-45	25	15-25
	ml	1.75-3	1.75	1-1.75
China Gentle	Tbsp	1.75	1-1.75	1
	ml	25	15-25	15
Fast Wash	Tbsp	1.75	1-1.75	1
	ml	25	15-25	15

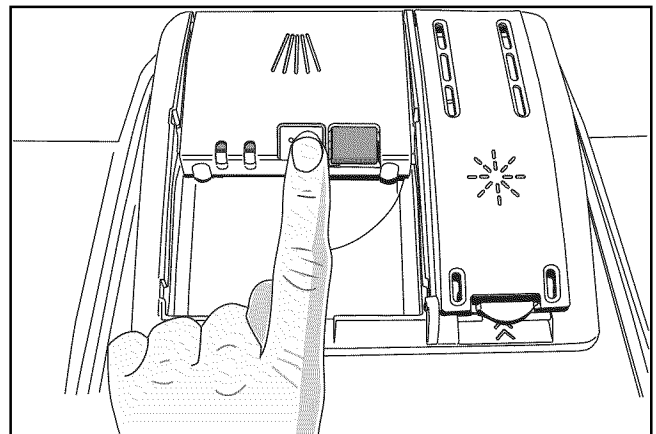
NOTE: When using gel packs, tablets or other dishwasher detergents, refer to the manufacturers instructions (normally 1 tab/dose).

Adding Detergent



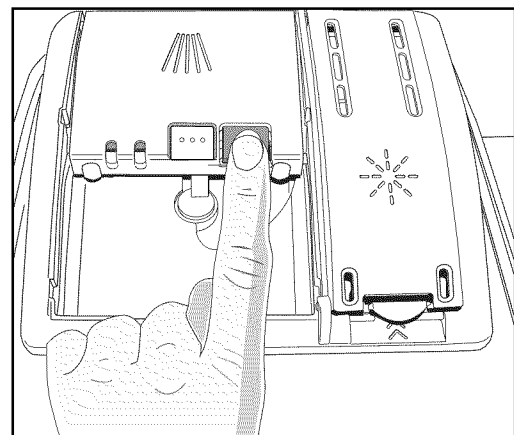
- Use fresh powdered detergent for best results.
- 1 tablespoon will clean most loads.
- Do not use more than 3 tablespoons. Do not overfill.
- When using detergent tabs, lay them flat to avoid contact with the cover.

TO CLOSE



- Slide cover fully left
- Push rear end of the cover down firmly until you hear a *CLICK*

TO OPEN



- To open the cover, push the blue button, at the rear end of the cover, inwards. (NOT DOWN)

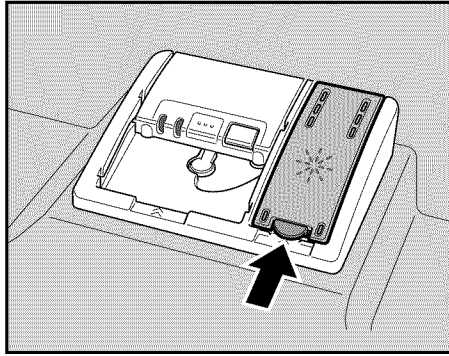
RINSE AGENT

To achieve proper drying, always use a liquid rinse agent, even if your detergent contains a rinse agent or drying additive.

NOTE: The dishwasher has a Rinse Agent LED that illuminates when the Rinse Agent is low.

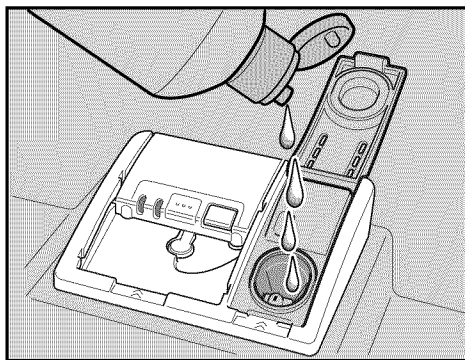
NOTE: The LED will not illuminate if there is enough rinse agent in the dishwasher.

- Always use Rinse Agent even if your detergent contains rinse agent.
- Add rinse agent when the LED on the control panel illuminates.



Add liquid rinse agent to the dispenser as shown until the rinse agent reservoir is full. Wipe up any excess rinse agent that puddles when the dispenser reservoir is full to prevent sudsing.

After filling the rinse agent dispenser, the indicator light will go out in a few minutes after the dishwasher door is shut.



Setting amount of rinse aid:

The amount of rinse aid dispensed can be set from “r:00” to “r:06”. The default factory setting is “r:05”.

NOTE: Do not change the amount of rinse-aid unless there are streaks (select lower setting) or water stains (select higher setting) visible on the utensils.

- Open the door.
- Press the “POWER” button.
- Press and hold “CHINA GENTLE” and “START” button until the display shows “H:00”
- Release both buttons. The LED for “CHINA GENTLE” flashes and the display shows “H:04”.
- Press “QUICK RINSE” until the display shows “r:05”.

To change the setting:

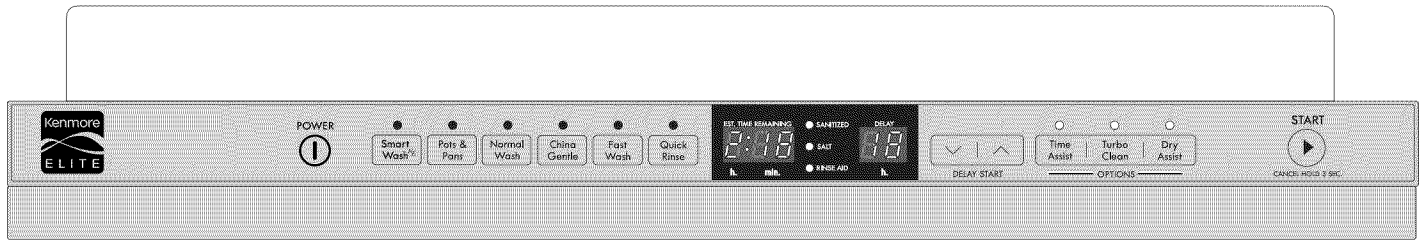
- Press “QUICK RINSE” until you reach the desired setting. “r:06” is the highest setting and “r:00” deactivates it.
- Press START to save the setting.
- Close the door.

To turn off the refill rinse aid indicator:

- Follow the instructions described above and set the value to “r:00”.

The rinse aid refill indicator is now turned off.

DISHWASHER CYCLES AND OPTIONS



WASH CYCLES

CYCLE	SOIL LEVEL	TIME (mins.) Without options		Water Usage	
		Typical	Maximum	Gallons	Liters
SmartWash™ HE Takes the guesswork out of cycle selection. The sensors in the dishwasher automatically adjust the cycle length, temperature and water changes based on the soil load. This cycle contains additional sensor decisions when compared to other cycles.	Light - Medium	105	125	3.3	12.6
	Heavy	125	130	5.2	19.8
Pots & Pans * Cleans items having baked-on or hard dried food soils. These items may require soaking or hand scouring.	Light - Medium	110	125	4.8	18.1
	Heavy	125	135	6.3	23.7
Normal Wash Thoroughly cleans normal loads having loosely attached normal soiling.	Light - Medium	95	125	2.3	8.7
	Heavy	125	150	6.4	24.2
China Gentle Designed to be used with your fragile china and glassware, allowing you to get it perfectly clean without the hassle of hand washing or worry of damage in the dishwasher.	Light - Medium	80	85	3	11.3
	Heavy	85	90	3.8	14.4
Fast Wash Cleans lightly soiled dishes and reduces overall wash time. Use this cycle to clean glasses and dessert dishes that may need to be re-used at the same event	All Soil Levels	59	59	3.7	14.1

Adding options will increase or decrease the cycle time. See “Cycle Options” information section.

* This is a sanitizing cycle.

Sanitize Cycle Information

A dishwasher cycle that is a sanitizing cycle has been tested to meet very strict performance requirements of wash time and water temperature to ensure dishware and kitchenware sanitization. These performance requirements are explained in the document NSF/ANSI 184, Residential Dishwashers.

The sanitizing dishwasher cycles are marked in the chart above with an asterisk. When these cycles are complete, the “Sanitized” indicator on your dishwasher control panel will illuminate.

However, if your household water supply is too hot your dishwasher’s heating time may be reduced, and the Sanitized indicator may not illuminate.

The cycle times listed in the Use and Care Manual are based on normal soil loads and 120°F incoming water and will vary based on your actual conditions.

NOTE: Only sanitizing cycles have been designed to meet the requirements of 6 for soil removal and sanitization efficacy. There is no intention, either directly or indirectly, that all cycles have passed the sanitization performance test.

CYCLE OPTIONS

OPTION	Can be selected with:	Added time to cycle		Added Water	
		Typical	Maximum	Gallons	Liters
Time Assist Reduces the amount of time it takes to complete a cycle while maintaining a high performance level.	China Gentle	reduces 5-10 min	reduces 20 min	reduces 0.75 G	reduces 2.5L
	Normal Wash	reduces 5-10 min	reduces 40 min	reduces 0.3 - 1.2 G	adds 1.1 - 4.6L
	Pots & Pans	reduces 5-10 min	reduces 25 min	reduces 0.5 - 1G	reduces 1.9 - 3.6L
	SmartWash™ HE	reduces 5-10 min	reduces 40 min	adds 0.05 - 1G	adds 0.2 - 3.5L
TurboClean™ Tackles hard-to-clean dishes in the lower rack, eliminating the need to soak and scrub heavily soiled dishes while keeping the top rack gentle enough for your china.	China Gentle	adds 15 min	adds 30 min	Maximum 1 G	Maximum 3.4 L
	Normal Wash	adds 15 min	adds 25 min	None	None
	Pots & Pans	adds 20 min	adds 20 min	Maximum 1.5 G	Maximum 5.6 L
	SmartWash™ HE	adds 25 min	adds 25min	None	None
Dry Assist Improves the drying performance by increasing the time and temperature during the drying stage. With this option you can raise the temperature of the rinse water and increase the drying time for improved drying.	Fast Wash	adds 11 min	adds 11 min	None	None
	China Gentle	adds 25 min	adds 25 min	None	None
	Normal Wash *	adds 25 min	adds 25 min	None	None
	Pots & Pans *	adds 25 min	adds 25 min	None	None
	SmartWash™ HE *	adds 25 min	adds 25 min	None	None

* These are sanitizing cycles.

Delay Start

You can delay the start of the program in 1-hour steps for up to 24 hours.

- Open the door.
- Turn the unit on by pressing the “POWER” button
- Press “^” button until the timer display jumps to “01” .
- Press ^ or v button until the displayed time corresponds with your requirements.
- Press START button. Delay start is activated.

To cancel delay start:

- Press the ^ or v button until “00” is indicated on the digital display.
- You can change your program selection at any time until the program starts.
- Close the door.

OPERATING THE DISHWASHER

Canceling a cycle

- Open the door slightly to stop the cycle.
- Hold down the “START” button for approximately 3 seconds. The display shows “0:01”.
- Close the door.
- The program sequence lasts approximately 1 min. Wait until the display shows “0:00”.
- Open the door
- Press the “POWER” button.
- Close the door.



WARNING

You could be seriously scalded if you allow hot water to splash out of the dishwasher. OPEN THE DOOR CAREFULLY during any wash or rinse cycle. Do not fully open the door until water noises have stopped.

ADDITIONAL FEATURES

Countdown Display

The countdown display indicates the time remaining for a cycle to complete. The time will change based on water temperatures and control settings.

Cycle Completion Signal

The cycle completion signal alerts you when a cycle completes and the dishwasher has washed and dried the dishes. You can choose to disable the tone or adjust the volume.

To activate or deactivate:

- Open the door.
- Turn the unit on by pressing the “POWER” button.
- Hold down “CHINA GENTLE” and press “START” until the display shows “H:00”
- Release both buttons.
- Press “CHINA GENTLE” until the display shows “B:02”

To increase or decrease the tone:

- Press “QUICK RINSE” and adjust tone as needed.
- Press “START” to save the setting.

Time Assist, Turbo Clean, and Dry Assist

To use any of these features:

- Select the desired cycle first.
- Then press the appropriate option button i.e. “Time Assist”, “Turbo Clean” or “Dry Assist”.
- Close the door to begin the cycle.

Changing a cycle

- Open the door slightly to stop the cycle.
- Before opening door all the way, wait a few seconds for water to drain to the base of dishwasher tub.
- Hold down the “START” button for approximately 3 seconds. The display shows “0:01”.
- Close the door.
- The program sequence lasts approximately 1 min. Wait until the display shows “0:00”.
- Open the door. Select new cycles and options.
- Press the POWER button and close the door firmly.

INDICATOR LIGHTS

Sanitized Indicator

When the “Sanitized” symbol illuminates on the control panel, it means that the items that were just washed have been sanitized. For more information on sanitization, refer to the Dishwasher Cycles and Options section of this manual. (The indicator light will come on for the cycles marked with an asterisk in the cycles and options table).

Refill Rinse Agent Indicator

When the “Rinse Aid” symbol illuminates it means more rinse agent is required.

Salt Indicator

If this symbol illuminates it means that the salt needs to be refilled.

SmartLight

Blue LED illuminates the floor to indicate that the dishwasher is running.

NOTE: The default factory setting for the SmartLight is “active”

To change the setting:

- Open the door.
- Press the POWER button.
- Hold down the “CHINA GENTLE” button and press START button until the display shows “H:0”.
- Release both buttons. The LED for button “CHINA GENTLE” flashes and the digital display displays the factory setting “H:04”.
- Hold down the “CHINA GENTLE” button until the display shows “1:01”.
- By pressing “QUICK RINSE”, you can switch between “1:00” (deactivate) or “1:01” (activate).
- Press START to save the setting. Close the door.

CARE AND MAINTENANCE

MAINTENANCE TASKS

Certain areas of your dishwasher require occasional maintenance. The maintenance tasks are easy to do and will ensure continued superior performance from your dishwasher:

- **Wiping up Spills and Splash-outs**

Water may occasionally splash out of your dishwasher, especially if you interrupt a cycle or open the dishwasher door during a cycle. To avoid floor damage and possible mold growth, do not allow wet areas to remain around or under the dishwasher.

- **Clean the Stainless Steel Inner Door and Tub**

Clean the outer edges of the inside door panel regularly to remove debris that might collect from normal loading. If spots begin to appear on the stainless steel tub or inner door, make sure the rinse agent reservoir is full.

- **Clean the drain air gap**

Clean the drain air gap periodically to ensure proper drainage of your dishwasher. With most types you lift off the chrome cover. Unscrew the plastic cap. Then check for any soil buildup. Clean if necessary

- **Check and clean the Spray arm nozzles**

Occasionally check the spray arms to ensure that the spray arm nozzles (holes) are unobstructed. You must remove the spray arms to check them for obstruction.

- **Check spray arm for grease and lime scale deposits.**

If you find such deposits:

- Fill detergent dispenser with detergent.
- Start the appliance without utensils in the program with the highest rinsing temperature.
- Clean the appliance with detergents/appliance cleaners which are particularly suitable for use with dishwashers.
- Regularly clean door seal with a damp cloth.

Never use a steam cleaner to clean your dishwasher. The manufacturer is not liable for any consequential damage.



CAUTION

To avoid injury, do not reach into the large object trap with your fingers. The large object trap could contain sharp objects.

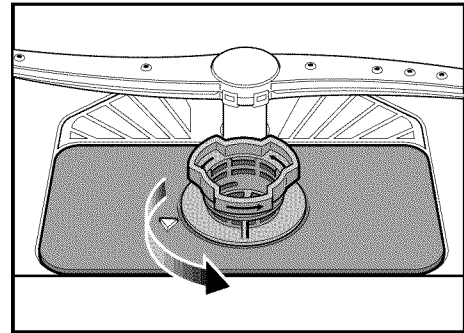
Filters

The filters keep large foreign objects in the rinsing water away from the pump. These foreign objects may occasionally block the filters.

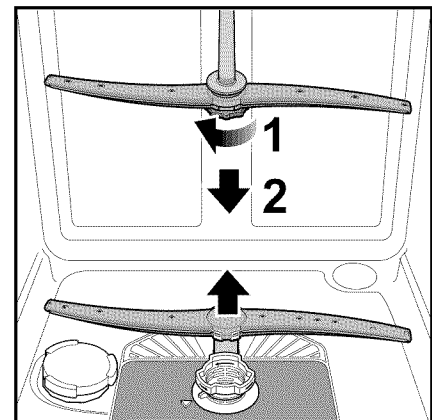
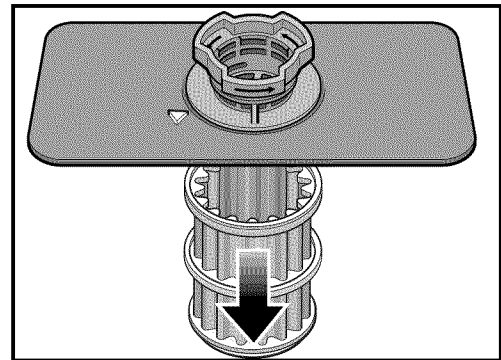
The filter system consists of a coarse filter, a flat fine filter and a micro filter.

After each washing cycle check the filters for residue.

- Unscrew filter cylinder as illustrated and take out filter system.



- Remove any residue and clean filters under running water.
- Re-install filter system in reverse sequence and ensure that the arrow marks are opposite each other after closing the filter system.



Spray arms

Lime scale and contaminants in the rinsing water may block nozzles and bearings on the spray arms.

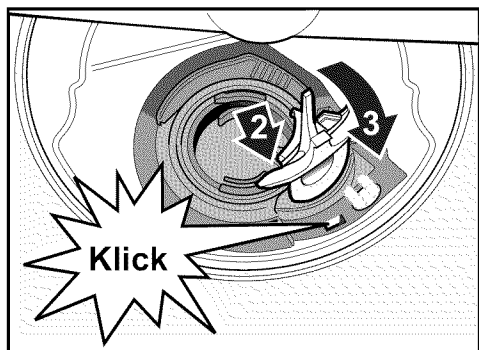
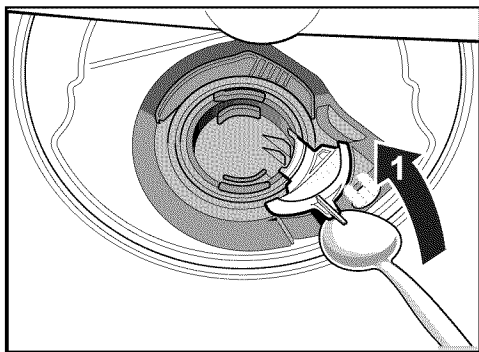
- Check outlet nozzles on the spray arms for blockages.
- Unscrew the upper spray arm.
- Remove the lower spray arm.

Waste water pump

Large food remnants in the rinsing water not retained by the filters may block the waste water pump. The rinsing water does not get pumped out and covers the filter.

In this case:

- Disconnect the appliance from the power supply.
- Remove the filters.
- Scoop out water, use a sponge if required.
- Using a spoon, pry off the pump cover (as illustrated) until it clicks, then grip the cover by the lug and first pull it upwards until it resists and then pull it out forwards.



- Check inner compartment and remove any foreign objects.
- Place cover in the original position, press down and engage.
- Install filters

• Clean the Exterior Door Panel

Colored Doors

Use only a soft cloth that is lightly dampened with soapy water.

Stainless Steel Doors

Use a soft cloth with a non-abrasive cleaner (preferably a liquid spray) made for cleaning stainless steel. For the best results, apply the stainless steel cleaner to the cloth, then wipe the surface.

• Clean the Interior

Hard water minerals can cause a white film to build up on the inside surfaces, especially just beneath the door area. Do not clean the dishwasher interior until it has cooled. Wear rubber gloves. Do not use any type of cleanser other than dishwasher detergent because it may cause foaming or sudsing.

- Make a paste with powdered dishwasher detergent on a damp sponge and clean OR
- Use liquid automatic dishwasher detergent and clean with a damp sponge.

• Clean the Door Gasket

Regularly clean the door gasket with a damp cloth to remove food particles and other debris. Also clean the door seal, located inside the dishwasher at the bottom of the door.

• Winterizing Your Dishwasher

If your dishwasher will be unused for an extended period of time in a location that experiences freezing temperatures (e.g., in a holiday home or through a vacation period), have your dishwasher winterized by a qualified service center.

TROUBLESHOOTING

Dishwashers may occasionally exhibit problems that are unrelated to a malfunction of the dishwasher itself. The following information may help you with a dishwasher problem without involving a repair professional.

Problem	Cause	Action
Dishwasher does not start	<ol style="list-style-type: none"> 1. Door may not be properly latched. 2. Unit may not be turned on. 3. Unit not reset or previous cycle not completed. 4. Delay start engaged. 5. Interruption of electrical power supply to dishwasher or blown fuse. 6. The door may have been closed without first selecting a cycle. 7. Water supply may not be turned on. 	<ol style="list-style-type: none"> 1. Shut the door completely. 2. Press the main power switch to turn unit on. 3. To reset, refer to "Canceling /changing the cycle" section in this manual. 4. To reset, refer to "Delay Start" section in this manual. 5. Check circuit breaker. 6. Select a cycle and close the door. 7. Check and turn on water supply.
Dishwasher beeping (end of cycle signal)	Default factory settings alert the customer that the cycle has completed by beeping. This feature can be deactivated if so desired.	To adjust the volume or deactivate, refer to "Cycle Completion Signal" section in this manual.
Display does not illuminate or console lights are not on	<ol style="list-style-type: none"> 1. A fuse may have been blown or circuit breaker tripped. 2. Door not closed or latched. <p>Note: For models with controls on the top portion of the door, the display only illuminates when the door is opened and controls are visible.</p>	<ol style="list-style-type: none"> 1. Check the fuse or circuit breaker box and replace the fuse or reset the breaker if necessary. 2. Ensure that door is properly latched and completely closed.
Dishwasher seems to run a long time	<ol style="list-style-type: none"> 1. Incoming water is not warm enough. 2. Cycle time can vary due to soil and water conditions. 3. Rinse agent dispenser is empty. 4. Dishwasher connected to cold water supply. 5. The type of cycle options selected may add time to the cycle. <p>Note: For typical cycle length, refer to Wash Cycles table in Dishwasher Cycles and Options section of this Use & Care Guide.</p>	<ol style="list-style-type: none"> 1. Before starting a cycle, run hot water faucet at the sink nearest to the dishwasher. Incoming water should be 120°F. 2. Sensors in the dishwasher automatically increase the cycle time to ensure a good wash when heavy soil is detected. 3. Add rinse agent. 4. Verify dishwasher is connected to hot water supply plumbing.
Dishes aren't getting clean enough	<ol style="list-style-type: none"> 1. Spray arm movement is obstructed. 2. Spray arm nozzles clogged. 3. Improper use of detergents. 4. Filters could be clogged. 5. Dishes are nested or loaded too close together. 6. Selected wash cycle is not suitable for food soil conditions. 7. Make sure incoming water is 120°F. 8. Check to see if the water softener feature is activated. Refer to the Water Softening System and Salt section of this manual. 	<ol style="list-style-type: none"> 1. Hand-rotate spray arms to ensure that spray arm movement is not blocked. 2. Remove the spray arms and clean according to "Check/Clean the Spray Arm Nozzles" in Care and Maintenance section of this manual. 3. Increase or decrease detergent depending on the water hardness. Refer to Table under "Detergent". 4. Clean the filter. Refer to "Check/Clean the Filter System" under Care and Maintenance section of this manual. 5. Rearrange load such that water spray can reach all items in the dishwasher. See also "Loading" section of this manual. 6. Refer to Wash Cycles table in Dishwasher Cycles and Options section of this Use & Care Guide.
Dishes are not getting dry enough	<ol style="list-style-type: none"> 1. Rinse agent dispenser is empty. (Rinse agent indicator is activated). 2. Improper loading of dishes. 3. Selected cycle does not include drying. <p>Note: Plastic or Teflon do not typically dry as completely as other items due to their inherent properties.</p>	<ol style="list-style-type: none"> 1. Add rinse agent. The use of rinse agent improves drying. 2. Rearrange load to ensure items are not nested. Refer also to the "Loading" section of this manual. 3. Quick Rinse setting does not include drying cycle. <p>Note: This model has a Dry Assist feature to improve drying performance. Refer to Wash Cycles table in Dishwasher Cycles and Options section of this Use & Care Guide.</p>

Problem	Cause	Action
Odor	<ol style="list-style-type: none"> 1. Food debris is present at the bottom of the dishwasher. 2. Food particles are present near the door seal. 3. Dishes left too long in unit before running a cycle. 4. Residual water is present at the bottom of the dishwasher. 5. Drain hose is obstructed. 	<ol style="list-style-type: none"> 1. Remove the filters and clean according to the “Check/Clean the Filter System” section of this manual. 2. Refer to “Clean the Door Gasket and Door Seal” in the Care and Maintenance section of this manual . 3. Run a Quick Rinse cycle if you do not intend to immediately wash the dishes. 4. Ensure the unit has completely drained from the last cycle. Refer to the “Canceling or changing the cycle” section of this manual. 5. Remove any obstructions from the drain hose by calling qualified personnel. <p>Note: If odor still persists, run the Normal cycle until it flushes, then open the door to interrupt the cycle, and place an 8 oz. cup of distilled white vinegar solution on the top rack. Close the door and allow the cycle to finish.</p>
Dishwasher not filling with water	<ol style="list-style-type: none"> 1. Restriction in the water supply system. 2. Previous wash cycle was not completed. 3. Delay-start is active. 	<ol style="list-style-type: none"> 1. Ensure that the water supply valve (typically located under kitchen sink) is open and check that the water supply line has no kinks and clogs. 2. Refer to “Canceling a cycle” and “Changing a cycle” information in the Operating the Dishwasher section of this Use & Care Guide. 3. Cancel the delay-start or wait until delay-start time completes (times out). Refer to the “Delay Start” section of this manual.
Water Leaks	<ol style="list-style-type: none"> 1. Suds 2. Door seal could be pulled away from track. 3. Condensation vent is blocked. 4. Improper installation. 	<ol style="list-style-type: none"> 1. Wrong type of detergent results in suds and leaks. Use only dishwasher detergents. If suds still persist, then add one tablespoon of vegetable oil at the bottom of the dishwasher and run the desired cycle. Also wipe up excess rinse agent to prevent sudsing. 2. Ensure that door seal is in the track. 3. Ensure that condensation vent is not blocked. Refer to “Loading Extra Tall Items” in the Rack Features and Accessories section of this Use & Care Guide. 4. Have proper installation verified by qualified personnel (water supply, drain system, leveling, plumbing).
Tub stains	<ol style="list-style-type: none"> 1. Stains on the dishwasher interior are due to hardness of water. Check your water hardness settings. Refer to the Water Softening System and Salt section of this manual. 2. Silverware in contact with tub. 	<ol style="list-style-type: none"> 1. Concentrated Lemon juice can reduce the build up of hard water stains. Run a normal cycle until it flushes and interrupt the cycle and then place an 8 oz. cup of the concentrated lemon solution on the top rack and finish the cycle. This can be done periodically to avoid build up. 2. Ensure that the silverware does not make contact with the tub while running a cycle.
Spots and-Streaks on glassware or residue on the dishes	Incorrect rinse agent setting.	Depending on the hardness of water, adjust the rinse agent dispenser. Refer to “Adding Detergent and Rinse Agent” section in this manual for adjustment.
Fascia panel discolored or marked	Abrasive cleaner used.	Use mild detergents with soft damp cloth.
Noise during wash cycle	The dishes may not be arranged properly.	Water circulation sound is normal, but if you suspect items are banging into each other or into the spray arms, refer to the “Preparing and Loading” section of this manual for optimal arrangement.
Detergent dispenser cover will not shut	<ol style="list-style-type: none"> 1. Improper operation of detergent cover. 2. Previous cycle has not been finished, reset, or cycle was interrupted. 	<ol style="list-style-type: none"> 1. Refer to “Adding Detergent and Rinse Aid” section of this manual for instructions on opening and closing the dispenser. 2. Refer to “Canceling a cycle” and “Changing a cycle” information in the Operating the Dishwasher section of this Use & Care Guide.
Unable to select desired cycle	Previous cycle has not finished.	Refer to “Canceling a cycle” and “Changing a cycle” information in the Operating the Dishwasher section of this Use & Care Guide.

Dishwasher did not sanitize	<ol style="list-style-type: none"> 1. Did not run a sanitizing cycle 2. Opened door mid-cycle 	<ol style="list-style-type: none"> 1. Select a cycle that is intended to sanitize. See Dishwasher cycles and options section for more information. 2. Do not open the door while the wash cycle is running.
Dishwasher not draining	<ol style="list-style-type: none"> 1. Kinked or Crushed Drain Hose 2. No high Loop in Drain Hose 3. Food Disposer plug not removed 4. The airgap may need cleaning 5. A home plumbing issue. 	<ol style="list-style-type: none"> 1. Check Drain Hose for proper installation. Note: In the Installation Process, do not rotate the Drain Hose after it is attached to the dishwasher. Refer to Installation Instructions for details. 2. Make sure that a portion of the Drain Hose is at least 20" from the floor. Refer to Installation Instructions for details. 3. If your Drain Hose is attached to the Food Disposer make sure the plug in the Food Disposer was removed. 4. Clean the air gap periodically to ensure proper drainage of the dishwasher. With most types, you lift off the chrome cover. Unscrew the plastic cap. then check for any soil buildup. Clean if necessary. 5. In this case, a certified plumber would need to check.
Etching (permanent cloudiness) "Sudsing"	<ol style="list-style-type: none"> 1. Type of glass - some glassware is sensitive to temperature 2. Too much detergent 3. Too much detergent and/or wrong type of detergent and/or wrong brand of detergent. 	<ol style="list-style-type: none"> 1. Make sure that glasses are Dishwasher safe. Select a cycle that does not get as hot. Do not use the Heated Dry option. 2. The amount of detergent is based on the hardness of the water delivered to your dishwasher and the amount of food soil present. If you pre-rinse your dishes and/or have soft water you should reduce the amount of detergent. See Owners manual for details. 3. Reduce or change the type/brand of detergent you are using. Note: Do not pre-rinse dishes. Scraping excess food soils is all that is required.
Water is still too hard	<ol style="list-style-type: none"> 1. Water softener system is deactivated. 2. Little or no salt in the salt dispenser 3. Salt dispenser setting is too low. 	<ol style="list-style-type: none"> 1. Make sure that the amount of salt dispensed is set between "H:01" and "H:07". Refer to the Water Softening System and Salt section of this manual. 2. Check to see if the "salt refill" LED is lit. If so, refill with salt immediately.

