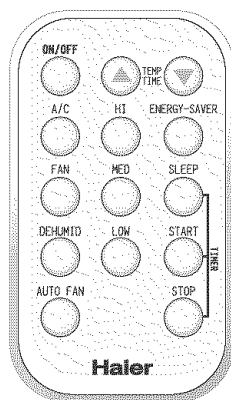
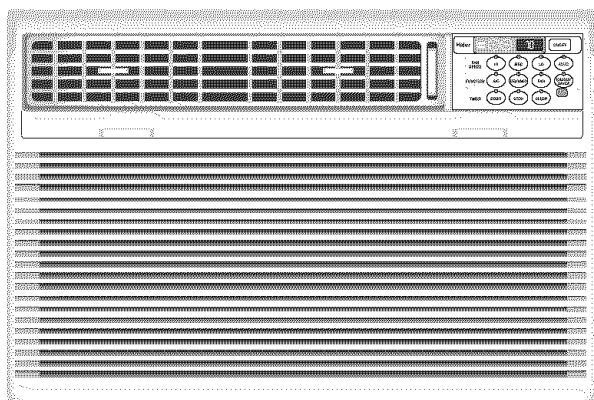


Haier®

What The World Comes Home To™

Room Air Conditioner
Electronic Control
Climatisation de Pièce
à Commande Electronique
Acondicionador De Aire
Control Electrónico



User Manual
Manuel d'utilisation
Manual del Usuario

Read instructions before installing.

Call 1-877-337-3639 for questions on parts and services

Lire les instructions avant de procéder à l'installation.

Pour toutes questions concernant les pièces et l'entretien, composez le 1-877-337-3639.

Lea las Instrucciones antes de instalar el aparato

Llámenos al 1-877-337-3639 si tiene preguntas sobre repuestos o servicios

0010546361

A Word From Haier

Thank You for buying a dependable, energy saving and easy to operate HAIER room air conditioner. This manual contains useful information for you to maintain, operate, install and safely use your room air conditioner. Your air conditioner cleans, cools and dehumidifies the air in your room to provide you with the ultimate level of comfort.

Please read instructions carefully before using the product. Also, do not forget to fill out and mail the **Product Registration Card**.

Product Registration

Record Your Model and Serial Number.

For all your service calls during the warranty period the following information will be needed. Attach the sales receipt to this guide and keep for future reference. This information can be obtained from the serial plate, which is on your air conditioner. This is either on the cabinet (side or back) or you may have to remove the front grille to locate it.

Model Number:






Serial Number:

Date of Purchase:

Dealer's Name:

Dealer's Address:

Dealer's Phone Number:

TABLE					
RECEPTACLE AND FUSE TYPES					
RATED VOLTS	125/60		250/60		
AMPS	15	20	15	20	30
WALL OUTLET					
FUSE SIZE	15	20*	15	20*	30
TIME DELAY FUSE (or circuit breaker)	Plug	Plug	Plug		

SAFETY PRECAUTIONS

WARNING: *Following these basic precautions will reduce the risk of fire, electrical shock, injury or death when using your air conditioner.*



- ▲ 1) Air conditioner must be connected to proper electrical outlet with the correct electrical supply. (see table)

- ▲ 2) Proper grounding must be ensured to reduce the risk of shock and fire. **DO NOT CUT OR REMOVE THE GROUNDING PRONG.** If you do not have a three-prong electric receptacle outlet in the wall, have a certified electrician install the proper receptacle. The wall receptacle **MUST** be properly grounded.

- ▲ 3) Do not use if power cord is frayed or otherwise damaged. Also avoid using it if there are cracks or abrasion damage along the length, plug or connector.

- ▲ 4) **DO NOT USE AN ADAPTER OR AN EXTENSION CORD.**

5) When installing your air conditioner in a window, make sure the window is strong enough to hold the weight of the air conditioner. You also want to secure and correctly install your air conditioner properly to prevent it from falling. Extra brackets and or support may be required depending on your window.

6) Do not block airflow inside or outside the air conditioner with blinds, drapes, protective covers, shrubs or bushes.

7) Be careful of sharp edges on the front and rear fins of the unit that could cut and cause serious injury.

8) Be careful when lifting the air conditioner to install or remove the unit. Always use two or more people for this.

9) Always unplug the air conditioner before servicing it or moving it.

Table Of Contents

	PAGE
A Word From Haier	1
Product Registration	1
Safety Precautions	2
Warnings	4
Electrical Safety	4
Tips	5
Energy Saving Guide	5
Features	6-7
Operating Guide	8-14
Normal Operating Sounds	8
Operating Instructions	8-14
Installations	15-22
Parts	16
Tools	16
Installing Unit into A Window	17-22
Clean and Care Guide	23-24
Troubleshooting	24-25
Warranty Information	26

WARNINGS



Following the safety messages is very important.

These messages can save you from being injured or killed.

Warning symbols alert you to be careful and means **Danger**. Always follow instructions to be safe and reduce chances of injury or death.

Warning and **Danger** signs will precede safety messages.

Electrical Safety



Grounding: This room air conditioner must be grounded. Grounding reduces the risk of electric shock by providing an escape wire for the electric current. The power cord has a grounding wire with a grounding plug. Plug it into an outlet that is properly installed and grounded.

WARNING: Improper use of the grounding plug can result in a risk of electric shock. Call a qualified electrician if you don't understand the grounding instructions or if you are not sure if the air conditioner is properly grounded. If the wall electrical outlet is not grounded, please contact an electrician to have it replaced with a properly grounded outlet.

Do not, under any circumstances, cut or remove the third (ground) prong from the power cord.

Adapter Plug: We strongly advise against using an adapter plug.

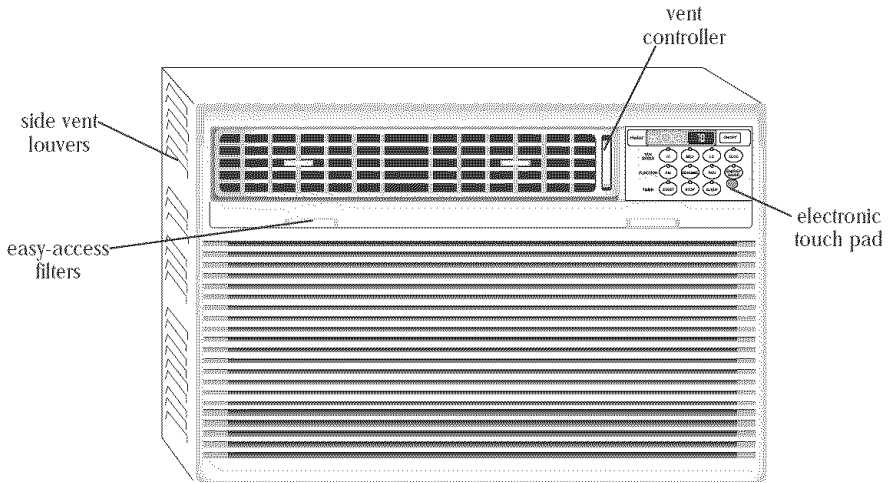
Tips

- Air Conditioners are designed for use in a double hung window or through the wall installation only. (As applicable in your model)
- While installing unit be sure to tilt air conditioner $\frac{1}{4}$ inch outward to have the water drip outside the house.
- ▲ Install the unit on the north side as normally that is the shaded side. This will enhance the operation of your unit.
- Window has to be strong for installation. Extra brackets and or support may be required depending on your window.
- Measure the window before installing, if the window is too big for the unit you may require professional installation.
- ▲ Use correct electric voltage and proper ampere for the unit to run effectively.
- ▲ Only let a certified electrician do any modifications to your electrical outlet.

Energy Saving Guide

- When installing your air conditioner make sure to seal all areas where there is a possibility of air leakage.
- Airflow should not be blocked inside either by curtains, drapes or furniture or outside by shrubs or bushes.
- Do not needlessly use an electrical light or other appliances that produce heat.
- Keep the vent closed on the air conditioner when in the cooling function.
- Keep the blinds and the drapes drawn on all the other windows.
- While cooking use an exhaust fan in the kitchen to remove the excess heat produced.
- Always use the correct BTU size air conditioner to cool the room to attain optimum efficiency.

Features



1. Thermostat

This allows you to adjust the temperature of the air. The lower the setting the cooler the air temperature. With this you can set the temperature to your desired comfort level. You can set the temperature between 61° F and 86° F

2. Fan Speed

With this you can control the fan speed as well as the A/C (cooling) speed.

You have 3 levels of A/C Speed for you to set at your desired level. LO will circulate air at the lowest velocity, MED at medium velocity and HIGH will circulate at the maximum.

You have 2 levels of Fan Speed to set at your desired comfort level. MED and LO.

Auto Fan allows the room temperature to set the fan speed. When the function is set, fan speed is to be determined according to the difference between the set temperature and the temperature inside the room. Once the set temperature is reached the fan will run at the LO Setting.

3. Function.

Your air conditioner has 3 Functions.

a) A/C.

Here the air conditioner will operate the compressor and the desired fan speed set to give you chilled

cold air for your comfort.

b) Dehumid.

This enables your air conditioner to operate as a dehumidifier as well. It will remove the excess moisture from the air to keep your room at a comfortable dry stage. You can use this feature alone in case you do not desire to use the air conditioner.

c) Fan Only

You can run the fan only on not so hot days. The fan can be set to run at 2 speeds (med fan, low fan) as desired by you.

4. Energy Saver

When turned "ON" the fan will shut off 3 minutes after the compressor cycle off. This will not only save you electrical and energy costs but also shuts off the unnecessary noise of the fan motor running. In the "OFF" position the fan will not shut off when the compressor cycles off. The fan will keep running at the set level.

5. Timer

Your air conditioner can be set to go on or off at your desire. This can be done up to 12 hours in advance.

6. Vent

The Fresh Air Vent allows the air conditioner to recirculate inside air, draw fresh air into the room and exhaust stale air to the outside .

7. 4 Way Air Flow

These air directional louvers let you control the direction of the airflow in your required direction.

The airflow can be directed
up – down – right side – left side.

8. Slide Out Chassis

Your Air Conditioner becomes more versatile with this feature. You have the option to install the unit in a window or the wall.

9. Window Install Kit

Enables you to install the air conditioner in a double hung window. Extra brackets or support may be needed depending on your window.

10. Remote Control

This full functional wireless remote allows you to operate your air conditioner from a distance. You need not have to get up to change the settings, the functions or to turn the unit on or off.

11. LED Display Electronic Control Panel

The 4 function LED displays Room Temperature, Temperature Setting, Timer Setting and Time Remaining to Stop / Start the unit. Electronic Control Panel lets you set the temperature to the Exact Temperature you desire.

12. Sleep

When activated, this feature automatically sets an 8 hour shut off timer. The unit will shut off in 8 hours.

Operating Guide

Normal Operating Sounds

The following sounds are normally heard during the operation of an air conditioner.

- Cool airflow movement as dictated by the set fan speed.
- Water sounds. This is normal as your air conditioner acts as a dehumidifier also. Thus you will hear water sounds from water drops falling on the condenser.
- As the refrigerant flows through the inner sealed tubing a rushing noise may be heard.
- Rattling or vibrating noises may be heard due to poor wall or window installation.
- High pitch compressor sound may be heard.

Operating Instructions

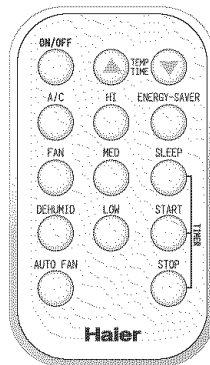
Following are the operating instructions of your electronic air conditioner.

After installing your air conditioner plug it in to the proper electrical outlet in the wall. Keep the vent in the closed position. Now set the air conditioner at your comfort level. This full functional wireless remote allows you to operate your air conditioner without having to get up and go to the unit. The full function feature allows you to change the settings and turn the unit on or off from the remote itself. This control pad works the same as the control pad on the air conditioner.

(See Fig. # 1)

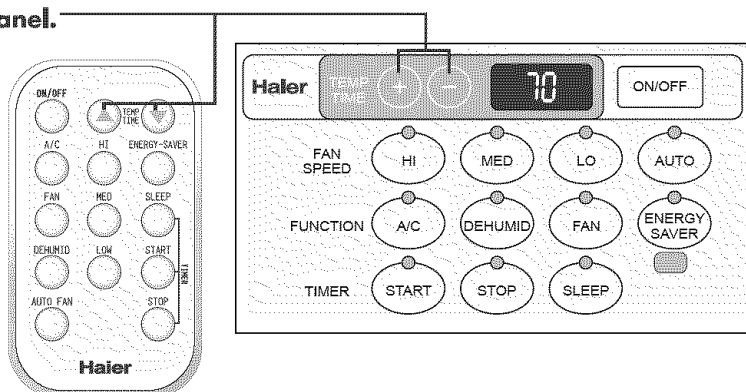
Fig. # 1

Remote Control



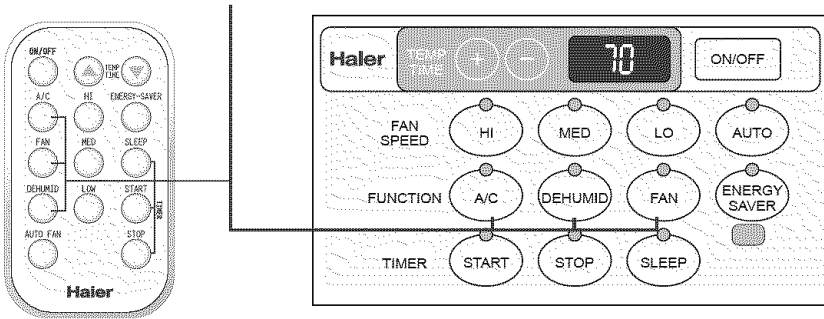
After you plug in the unit it will perform a self test. All the display lights will turn on for 3 seconds. The LED display will read "88". If any display light fails to turn on you may need service on the unit. After the 3 seconds self test the unit will automatically go to the stand by mode. Now all lights will be off and you will have to turn "ON" by pressing the On/Off key. After pressing "On/Off", the unit starts to work and enters the status of "Fan Only" with low setting. You will have to press the (+) or (-) key on the Temp/Time to set the temperature at your desired comfort. You can choose between 61°F and 86°F. Once the temperature is set you can raise or lower it by pressing the (+) or (-) keys. (Only when the unit is cooling or dehumidifying, can the temperature setting be adjusted.) (See Fig. # 2)

Fig. # 2

Control Panel.

Having set the temperature you will set the function of the air conditioner. If you want to cool the room press the A/C function. If you need to only remove the moisture press the Dehumid function. If you just need to use the fan only, press the Fan function. (See Fig. # 3)

Fig. # 3
Control Panel.



Once the function mode is decided you will have to set the fan speed. If you choose the A/C mode you can run the fan in one of the 3 speeds Hi, Med., Lo or in the Auto speed. In the Auto speed the fan will start at High, Med or Lo as the temperature varies in the room.

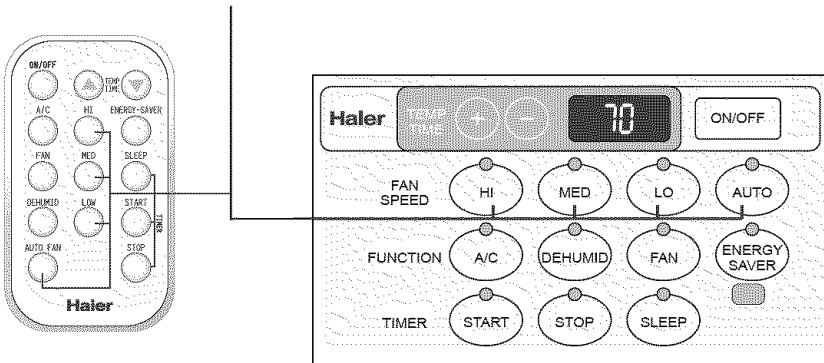
Tr: temperature inside the room.

Ts: the set temperature.

When $Tr > Ts + 2^{\circ}F$, the Hi is to be automatically. When $Tr \leq Ts$, the Lo is to be set. When $Ts < Tr \leq Ts + 2^{\circ}F$, the Med is to be set. Once the set temperature in the room is reached the Auto fan setting will have the fan running on Lo.

It takes 3 minutes to switch the fan speed. (See Fig. # 4)

Fig. # 4
Control Panel.



If you choose to use the Dehumid function. This will remove excess moisture from the air on excessively humid days.

T_r : temperature inside the room.

T_s : the set temperature.

1) When $T_r > T_s + 3^{\circ}\text{F}$, the compressor will run continuously the fan at the selected speed.

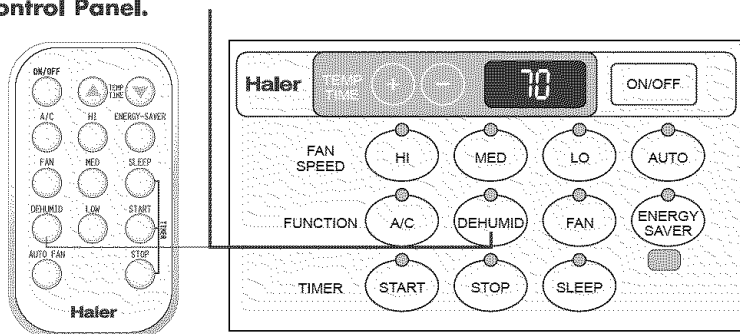
2) When $T_s - 1^{\circ}\text{F} \leq T_r \leq T_s + 3^{\circ}\text{F}$ the compressor will cycle for 10 minutes on and 6 minutes off.

3) When $T_r < T_s - 1^{\circ}\text{F}$, the compressor will shut off.

The dehumidification process takes place between the set temperature - 1 and 3°F above the set temperature. (See Fig. # 5)

Fig. # 5

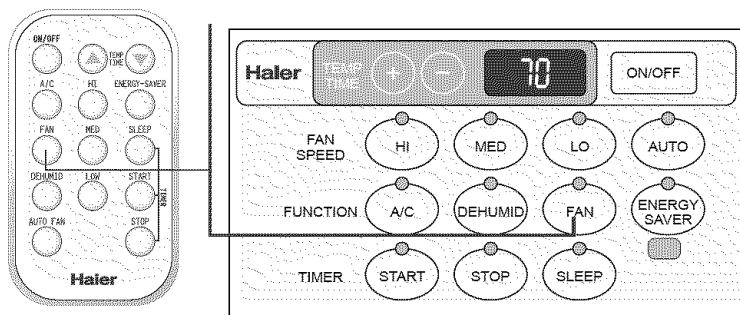
Control Panel.



For cool days you may want to run the "Fan Only" function. Here the fan runs only at one of 2 speeds, Med. or Lo. The fan will not run at the High speed. (See Fig. # 6)

Fig. # 6

Control Panel.



Timer start or Timer stop mode is used to pre-start or shut off your unit in advance. You can program this up to 12 hours in advance. You can use the Timer in 3 functions i.e. A/C, Dehumid. or Fan Only.

•Timer Start. (See Fig. # 7)

Unit must be on to set the timer. Unit will shut down automatically after it accepts the settings in 5 seconds. Use this mode to pre-set the start time of the unit 12 hours in advance.

- a) Press Start, LED display will show "XX" (time set last time) when power is connected first time, LED display will show "01" .
- b) Set desired number of hours by pressing the (+) pad of the Temp/Time buttons, one for each hour. If you passed the desired time use the (-) pad key to lower the selection.

•Timer Stop (See Fig. # 7)

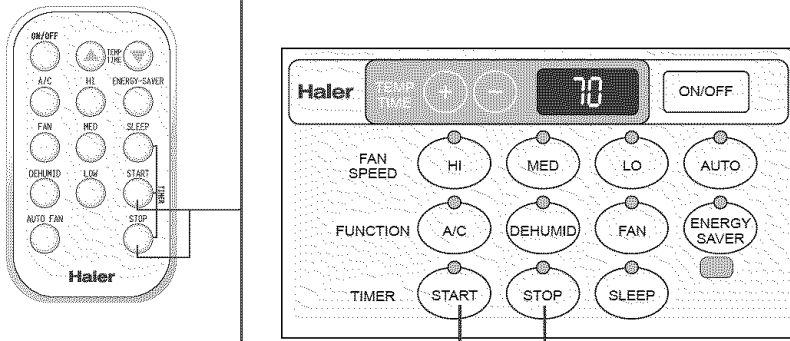
Unit must be running to set the timer off. Use this to pre-set the time you would like the unit to shut off.

- a) Press Stop, LED display will show "XX" (time set last time) when power is connected first time, LED display will show "01" .
- b) Set desired number by pressing the (+) pad of the Temp/Time buttons. One for each hour. If you passed the desired time, use the (-) pad key to lower the selection.

When using the timer the unit will use/revert to the last A/C and fan settings when activated. The timer must be reset every time you choose to use it.

Fig. # 7

Control Panel



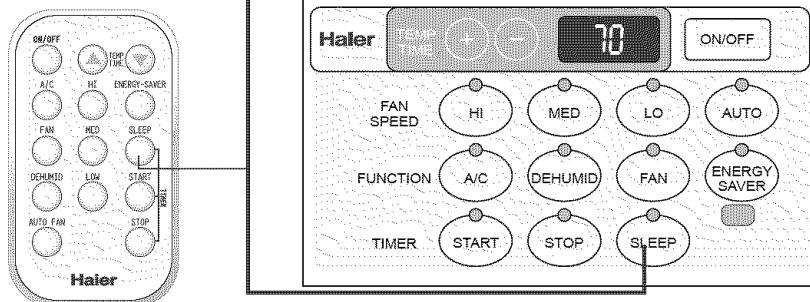
Pressing the mode one time, the setting of Timer start, Timer stop and sleep can be done. Pressing the mode for a second time, the setting is cancelled.

Sleep lets you preset the unit to shut off in 8 hours. Sleep works in the A/C function only. After pre-setting the temperature to a set degree, the temperature raises by 2 degree in the 1st hour and another 2 degree in the 2nd hour and then remains constant in the next 6 hours. As your body does not give out as much heat in the night and as nights generally become cooler this feature lets you sleep comfortably throughout the night without having to wake up to change the temperature settings.

(See Fig. # 8)

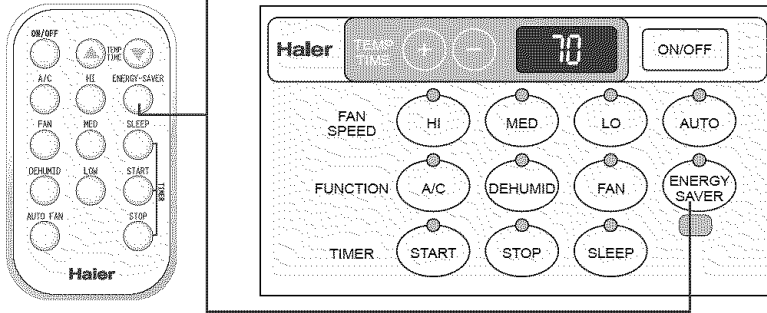
Fig. # 8

Control Panel



Energy Saver: By pressing this key you will activate the unit to go in the energy saver mode. The fan will be off 3 minutes after the compressor cycle off. By deactivating it the fan keeps running at the set speed even if the compressor shuts off. (See Fig. # 9) (This function is available in the cooling function only)

Fig. # 9

Control Panel

When unit is in "On" mode the LED display will show room temperature. Press the (+) key to get set temperature. When unit is in "Timer Stop" function, LED display will show the time left for the unit to shut off. To cancel Timer Stop press the main Off key.

Installations

Before you install your air conditioner check the following:

- 1) The unit is free of all obstructions inside and outside the room e.g. drapes, curtains, furniture, plants, shrubs, bushes, trees, other structures like building, garage etc. Air conditioner must have clear unobstructed airflow through the condenser to remove the heat.
- 2) The window is strong enough to hold the weight of the air conditioner. Extra brackets or supports may be needed depending on your windows.
- 3) The window sill and track are strong enough to hold the weight of the air conditioner.
- 4) The wall is strong enough to hold the unit. Extra brackets or supports may be needed depending on the wall.
- 5) There is adequate and proper power supply near the air conditioner.



6) DO NOT use adapter plugs.



7) DO NOT use extension cords.



8) DO NOT cut or remove the ground prong.



9) DO NOT modify the plug or the electrical wall outlet in any way.

If plug does not fit the electrical outlet have a certified electrician do the necessary change.



10) DO NOT connect electrical power to the unit before installation.

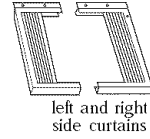
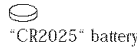
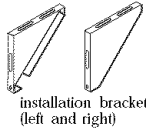
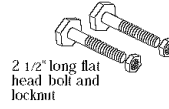
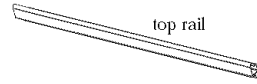
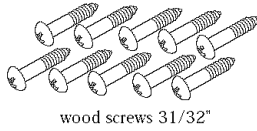


11) DO NOT use if power cord is worn out, frayed or otherwise damaged.

Avoid using if there are cracks or abrasion damage along the length, plug or connection.

Parts

Parts Supplied



Model: HWR18VC3 HWR24VC3

Tools

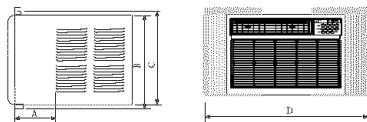
You will need to have the following tools to help you in the installation of your air conditioner.

- Scissors
- Phillips Screwdriver
- Standard Screwdriver
- Pliers
- Wrench
- Drill and Drill Bits
- Tape Measure
- Gloves
- Level
- Sockets

Installing Unit into A Window

Window Opening Requirements

The air conditioner is designed to fit into double or single hung sash type windows. Each of the units comes with an installation kit that provides adjustable mounting louvers, to fill the gaps between the sides of the unit, and the window frame. The chart below reflects the dimensions of the units with, and without installation kits. Measure your window opening width and compare it to the chart below to ensure that it meets the minimum and maximum window width requirements.



HWR18VC3 HWR24VC3

Dimension	Model
	HWR18VC3 HWR24VC3
A(inch)	$11\frac{2}{5}$
B(inch)	$18\frac{3}{5}$
C(inch)	$18\frac{3}{5}$
D(inch) Max	$42\frac{5}{16}$
D(inch) Min	$30\frac{1}{8}$
Case High	$18\frac{21}{32}$
Case Width	$26\frac{9}{16}$
Case Depth	$24\frac{13}{32}$

Models HWR18VC3 HWR24VC3

7 PREPARE UNIT FOR INSTALLATION

Unpack unit on floor next to installation location.

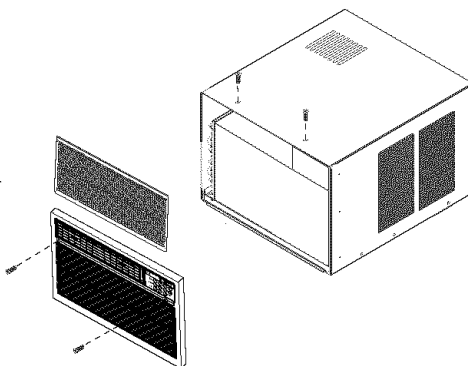
Slid out the filter by pulling on the left and right tabs located on the front mask.

Remove two front attachment screws. Separate the outer case from the front with a putty knife at the catch points designated by the arrows.

Remove the two screws on top of the outer case.

Using the basepan handle, slowly and evenly pull chassis out from outer case.

Note: Cover putty knife blade with masking tape to guard against damage of the unit finish.

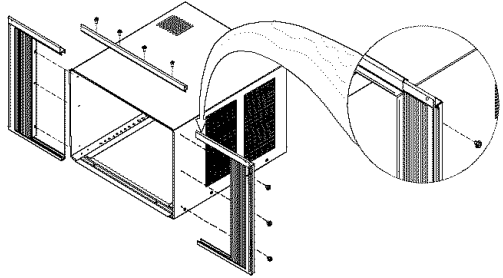


Caution: Never expose plastic front or grille to extreme temperatures.

2 ASSEMBLE CURTAINS/TOP RAIL

Install top rail with four 1 3/32" screws.

Slide left-hand curtain assembly into left end of top and bottom rails. Repeat for right-hand curtain assembly. Fasten curtain retainer strips to sides of outer case with six 13/32" screws.



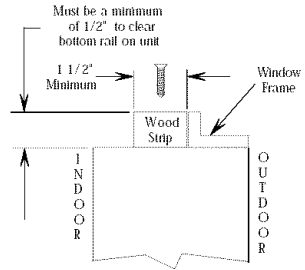
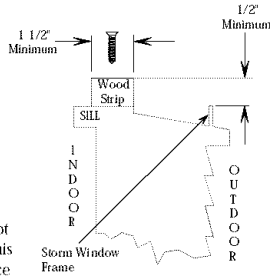
3 PREPARE WINDOW FOR INSTALLATION

Inspect window track, sash, and sill for its ability to support the weight of air conditioner.

Measure width between window moldings to ensure Instant Mount will fit window frame. Instant Mount models are designed for windows wide (the detail see page 17)

Storm window installation
If storm window frame does not allow adequate clearance below sill (1/2" required), remove storm window frame or create clearance by adding a wood strip (at least 1 1/2" wide) along entire width of sill. Fasten wood strip to sill with at least three countersunk wood screws (not supplied with kit). This provides a smooth surface for mounting air conditioner.

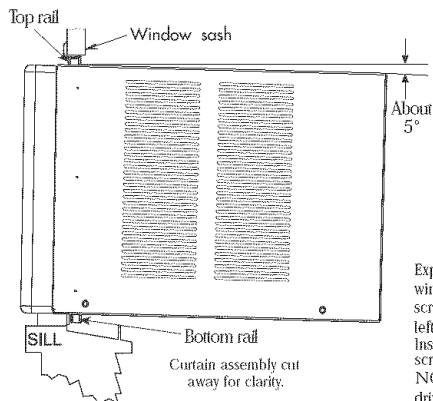
Mobile home window installation
Add wood strip (at least 1 1/2" wide) along entire width of window sill. Thickness of wood strip should match height of front lip on window frame. Fasten wood strip to sill with a minimum of three countersunk wood screws (not supplied with kit). This provides a smooth surface for mounting air conditioner.



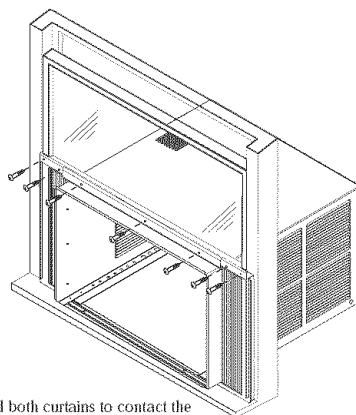
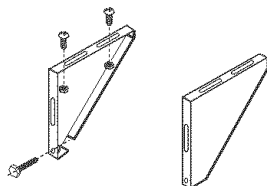
Instant Mount kit supplied with unit is designed for mounting in most double-hung windows without storm windows. For installation in window frame with storm window, modify sill by adding wood strips (not included) to inner and outer sills. This raises unit and eliminates interference of storm window frame.

4 INSTALL OUTER CASE IN WINDOW

Place outer case in window. Lower sash until it rests behind front flange of top rail. Bottom rail must rest behind window sill.

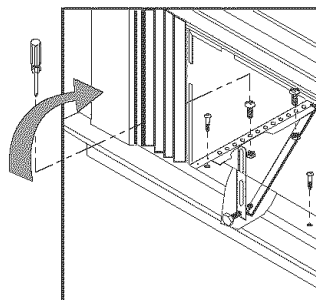


Use two wood screws $31/32"$ to fix the case to window sash. Install left & right installation bracket and as shown in fig. Install bolt ($2\ 1/2"$ long flat head bolt and locknut) to the installation bracket and adjust them to proper length, then use 4 ($19/32"$) screws to fix the bracket on the case.



Expand both curtains to contact the window frame. Install four wood screws $31/32"$. Two in each upper right and left of the curtains. Install three wood screws $31/32"$ top mounting rail screws.

NOTE: To make screws easier to drive, drill a pilot hole into sash through clearance hole in curtains.

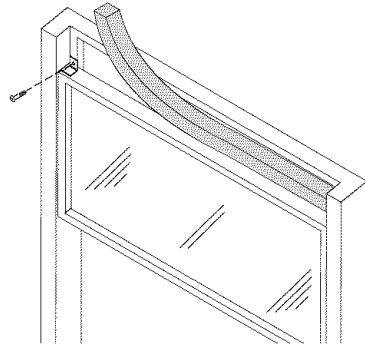


5 INSTALL SASH BRACKET & SEAL GASKET

Install sash bracket on top of indoor window sash with one wood screw 31/32" to prevent raising of window from the outside. Screw anchor directly into side of window frame. For hard wood or metal window frames, drill a pilot hole to start screw.

Important: Be careful not to drill pilot hole too deep. Add a piece of tape to the drill bit as a depth gauge. Also stay clear of glass. Be careful not to damage the function of the window.

Cut window seal gasket to width of window. Stuff window seal strip between outdoor window glass and top of indoor sash. This will stop air leakage which reduces efficiency.

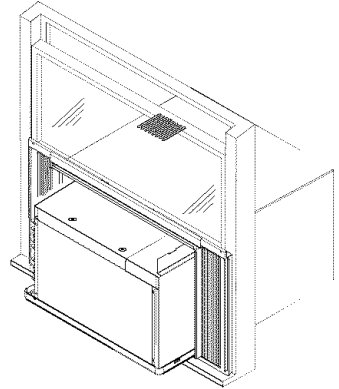


6 RETURN CHASSIS TO OUTER CASE

Find someone to help you replace chassis in outer case. Replace front panel, and grille. (Do not forget to install two front attachment screws before replacing grille)

Where possible install two screws on top of the outer case, removed in step one.

IMPORTANT: Because window sash helps keep unit in window, make certain window sash contacts outer case before reinstalling chassis.



Wall Installations: slide-out chassis only

Note: Remove the 2 shipping screws on the top of the air conditioner that hold the chassis to the outer shell casing. Once removed, these do not have to be re-installed. To ensure that your air conditioner is properly installed in the wall, it is recommended that it be installed by a certified technician who is familiar with through the wall installations.

1) Using wood, 1" or more in thickness, build a wooden frame to fit the casing/cabinet dimensions of the unit which you have purchased.

2) Measure the outside width and the height of the frame to determine the cutout dimensions necessary for the opening in the wall. The depth of the frame will depend on the depth of the wall. The finished frame must be set in the inside wall. The frame has to be squared and leveled. Remember the frame has to be nailed securely to the wall studs. (See Fig. # 19)

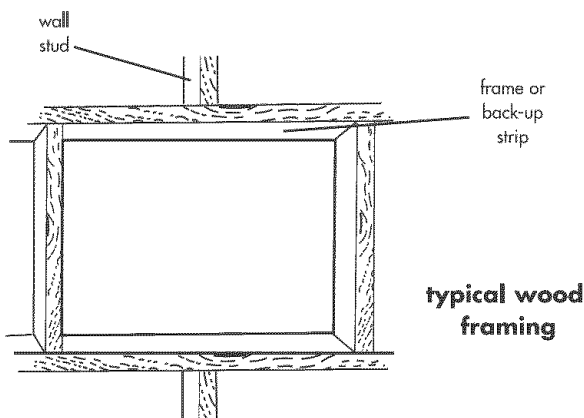


Fig. # 19

3) Now to install, insert the casing into the wall opening. (Remove the chassis out first following steps 1 – 6 in Slide-out chassis section). Make sure that the cabinet is at least 1/2" inch inside the room. Also the side louvers should not be blocked. This is to have proper air circulation in and around the compressor. (See Fig. # 20)

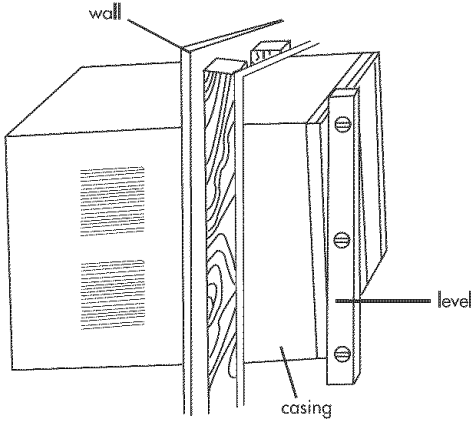
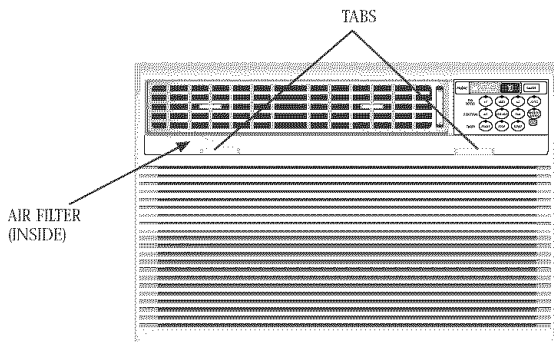


Fig. # 20

**typical casing
outward tip**

- 4) The casing should be tilted 1/4" outside so as to drain the excess dehumidified water.
- 5) Properly insulate any opening between the casing and the frame.
- 6) Using the screw holes on the sides of the unit, which are for the window mounting kit and the screw holes in the top mounting kit rail, attach the casing to the wood frame.
- 7) With the help of another person lift and put the chassis of the air conditioner in to the casing.
- 8) Screw the security screw into place and snap on the grille.
- 9) If the filter was removed during this process, reinsert the filter.

Care and Cleaning Guide



- Always unplug your air conditioner before cleaning.
- Air filter needs to be cleaned at least once a month for your unit to operate at optimum efficiency. The filter can be slid out by drawing the left and right tabs located on the air filter.
The filter may be washed or vacuumed. Remove the excess water from the filter by gently shaking the filter. This will remove dust and particles trapped in the filter. After cleaning, reinstall the filter.
DO NOT use your air conditioner without the air filter in place.
- To clean the front panels or the cabinet **DO NOT** use harsh chemicals, abrasives, ammonia, chlorine, bleach, concentrated detergents, solvents or metal scouring pads. Some of these chemicals may dissolve, damage and/or discolor your air conditioner.
- Always use a soft cloth dampened with water or mild soap and water solution to wipe the front of the cabinet.
Wipe dry with a soft cloth.

- To store your air conditioner, after the season, remove the unit from the window as per the installation guide. Repack the unit in its original box and store away. If your unit is installed in a wall or you do not intend to remove it from the window then cover the outside with a winter cover. This can be purchased from the retailer where you purchased your air conditioner or from your local hardware store.
- Before putting away your unit make sure any water left in the pan is removed and drained away. Water left in the pan could lead to Rusting or damage to the electrical connections.

Trouble-Shooting

If air conditioner does not operate:

- Check if unit is plugged in. The plug may have come loose.
- Check if the unit is in "Off" mode.

Air from air conditioner is warm:

- The A/C setting may need to be raised.

Ice formation on cooling coils:

- Outside temperature too cold. Set the unit on fan only setting to defrost ice.
- Lower temperature setting. Temperature setting may be too cold.
- Unit BTU may be too high for the room.

Air conditioner working but room not cooling:

- Room may have appliances that produce heat. Use an exhaust fan to remove excess heat.
- Redirect the airflow. Remove any obstacles.
- All doors and windows need to be closed so cool air does not escape the room.
- Air filter may need cleaning.
- Unit BTU may be too low for the required cooling area.
- On extreme hot & humid days air conditioners may take a little longer to cool.
- Vent may be in the open position. Vent has to be closed for optimum cooling.

Air conditioner is making noise when cooling:

You may hear sounds of air movement, water, compressor clicking on and off or window vibrations. Read Operating Guide – Normal Operating Sounds. (See page 8)

Water in the air conditioner cabinet:

This is normal as your air conditioner not only cools but also dehumidifies the air. If there is water dripping inside the room, check the installation of the unit. The unit may need to be reinstalled. (See page 19)

Limited Warranty

This warranty covers all defects in workmanship or materials for:

1. The mechanical and electrical parts (including labor costs) contained in this Haier product, for a period of 12 months, from the date of purchase, (commercial or rental application, the warranty is 90 days).
2. The sealed system and compressor contained in this Haier product is for a period of 5 years, from the date of purchase (excluding labor costs after the initial 12 month period). In commercial or rental use, the additional limited compressor warranty is for 1 year and 9 months, (excluding labor costs after the initial 90 days period).

You must keep and be able to provide your original sales receipt as proof of the date of purchase.

Who is covered?

The original retail purchaser of this Haier product.

What will be done?

Haier will repair or replace, in your home, any mechanical, electrical part or the compressor, which proves defective in normal household, use for a period of 12 months. Haier will repair or replace (excluding labor costs) the sealed system and compressor (parts only) for an additional 4 year period.

How can you get service?

1. Contact your nearest Haier authorized Service Depot. For the name of the Service Depot nearest you, contact Haier at (877) 337-3639.
2. All service must be performed, by an authorized Haier Service Depot.

THIS WARRANTY COVERS UNITS WITHIN THE CONTINENTAL UNITED STATES, CANADA AND PUERTO RICO AND DOES NOT COVER:

- Damages from improper installation
- Damages in shipping
- Damages from misuse, abuse, accident, alteration, lack of proper care and maintenance
- Damages from service, by other than an authorized dealer or service center
- Labor, service, transportation and shipping charges for the removal of defective parts and installation of a replacement part, beyond the initial 12 month period.

THIS LIMITED WARRANTY IS GIVEN IN LIEU OF ALL OTHER WARRANTIES, EXPRESS OR IMPLIED, INCLUDING THE WARRANTIES OF MERCHANTABILITY AND FITNESS FOR A PARTICULAR PURPOSE.

The remedy provided in this warranty is exclusive and is granted in lieu of all other remedies. This warranty does not cover incidental or consequential damages. Some states do not allow the exclusion of incidental or consequential damages, so this limitation may not apply to you. Some states do not allow limitations on how long an implied warranty lasts, so this limitation may not apply to you. This warranty gives you specific legal rights, and you may also have other rights, which vary from state to state.

Message de Haier

Félicitations! Vous venez de faire l'acquisition d'un climatiseur d'appartement facile à utiliser et d'une grande fiabilité et qui vous permettra de faire des économies d'énergie. Ce manuel contient des informations importantes qui vous permettront d'installer le climatiseur et de procéder à sa maintenance et de l'utiliser en toute sécurité. Votre climatiseur nettoie, refroidit et assèche l'air de votre pièce afin d'offrir un confort optimal.

Veuillez lire les instructions attentivement avant d'utiliser cet appareil. De plus, n'oubliez pas de remplir et de renvoyer la carte d'enregistrement de l'appareil.

Immatriculation du Produit

Notez le numéro du modèle et son numéro de série.

Vous aurez besoin des informations suivantes pour toutes réparations ou opérations d'entretien et de maintenance lors de la période couverte par la garantie. Fixez le reçu de vente à cette notice et conservez-la afin de pouvoir la consulter ultérieurement. Vous trouverez ces informations au niveau de la plaque signalétique de votre appareil. Si la plaque ne se trouve pas sur l'habillage (sur le côté ou au dos), retirez la grille afin de la trouver .

Numéro du modèle:






Numéro de série:

Date d'achat:

Nom du revendeur:

Adresse du revendeur:

Numéro de téléphone du revendeur:

TABLEAU					
PRISES ET FUSIBLES					
TENSION NOMINALE	125/60		250/60		
AMPÈRES	15	20	15	20	30
PRISE MURALE					
CALIBRE DU FUSIBLE	15	20*	15	20*	30
FUSIBLE À FUSION TEMPORISÉE (ou disjoncteur)	Fusible à Culot	Fusible à Culot	Fusible à Culot		

CONSIGNES

AVERTISSEMENT: Veuillez suivre ces précautions de base



Lorsque vous utilisez l'appareil afin de réduire tout risque d'incendie, d'électrocution, de blessure, voire de mort.

- 1) Le climatiseur doit être branché au niveau d'une prise électrique d'une tension adéquate. (consultez le tableau)
- ▲ 2) L'appareil doit être mis à la terre (masse) afin de réduire tout risque d'électrocution et d'incendie. **NE PAS COUPER NI RETIRER LA BROCHE DE MASSE.** Si votre prise murale ne peut accueillir une fiche à trois broches, veuillez faire en sorte qu'un électricien qualifié en installe une. La prise murale **DOIT** être mise à la masse.
- ▲ 3) Ne pas utiliser l'appareil si le cordon d'alimentation est effiloché ou usuré, ou si la fiche et le connecteur sont endommagés.
- ▲ 4) **NE PAS UTILISER UN ADAPTATEUR OU UNE RALLONGE.**
- ▲ 5) Lorsque vous installez votre climatiseur sur une fenêtre, vérifiez que cette dernière est suffisamment robuste afin de soutenir le poids de l'appareil. Vous devrez également fixer l'appareil afin qu'il ne puisse tomber et installer des supports et fixations supplémentaires en fonction du type de fenêtre.
- 6) Ne pas gêner ni obstruer le flux d'air à l'intérieur et à l'extérieur de l'appareil avec des stores, des rideaux, des caches de protections, et des buissons.
- 7) Prenez garde à ne pas vous blesser sur les bords coupants des ailettes à l'avant et à l'arrière de l'appareil.
- 8) Faites attention lorsque vous installez ou retirez l'appareil. Veillez à toujours soulever l'appareil en vous faisant aider par une ou deux autres personnes.
- 9) Débranchez toujours le climatiseur avant de le déplacer ou d'effectuer toute opération de maintenance.

Table des Matières

	PAGE
Message de Haier.....	27
Immatriculation du Produit.....	27
Consignes.....	28
Avertissements.....	30
Mesures de Sécurité Electriques.....	30
Conseils.....	31
Guide d'Economies d'Energie.....	31
Caractéristiques.....	32-33
Guide d'Utilisation.....	34-40
Bruits de Fonctionnement Lors d'Une Exploitation Normale.....	34
Instructions d'Exploitation.....	34-40
Installations.....	41-49
Pièces Fournies.....	42
Outils.....	43
Étapes de l'Installation.....	44-49
Guide de Nettoyage et d'Entretien.....	50-51
Guide de Dépannage.....	51-52
Garantie Limitée.....	53

AVERTISSEMENTS



Il est important de suivre les consignes de sécurité.

Ces consignes peuvent vous éviter des blessures voire la mort.

Les Avertissements vous mettent en garde et indiquent un Danger. Veuillez suivre les instructions pour votre sécurité et réduire les risques de blessure, voire de mort. Les indications " Avertissement " et " Danger " précèdent les consignes de sécurité.

Mesures de Sécurité Electriques



Mise à la masse: Ce climatiseur doit être mis à la masse. La mise à la terre réduit les risques de chocs électriques grâce à une broche permettant que le courant s'échappe. Le cordon électrique comporte un fil de masse avec une broche de masse. Branchez la fiche dans une prise adéquate ayant été mise à la masse.

AVERTISSEMENT : Toute utilisation incorrecte de la broche de terre risque d'entraîner une électrocution. Contactez un électricien qualifié si vous ne comprenez pas les instructions de mise à la masse ou si vous ne savez pas si le climatiseur a été correctement mis à la terre. Si la prise murale n'est pas mise à la terre, veuillez contacter un électricien afin de la remplacer par une prise ayant été mise à la masse.

Ne jamais retirer ou couper la troisième broche (masse) du cordon d'alimentation.

Fiche d'adaptation: Il est vivement déconseillé d'utiliser une prise d'adaptation.

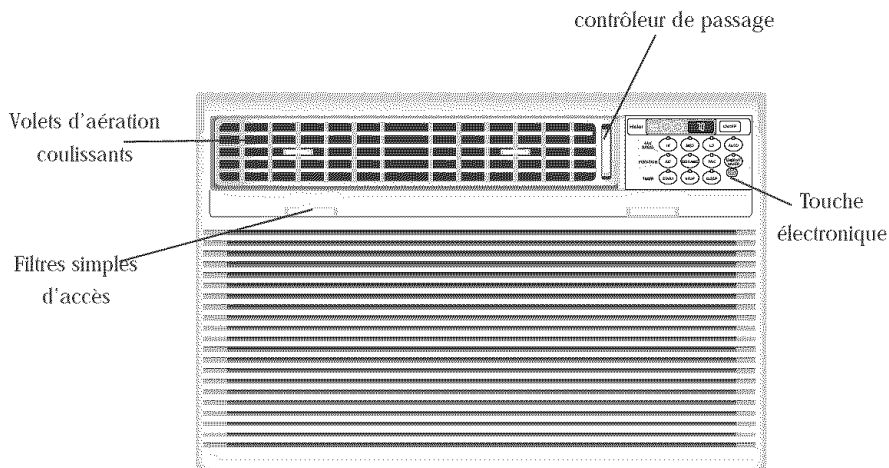
Conseils

- Les climatiseurs ont été conçus afin d'être installés sur une fenêtre à guillotine ou dans une ouverture pratiquée dans un mur uniquement (selon le modèle en question).
- Lorsque vous installez l'appareil, penchez l'appareil 1/4 de degré vers l'extérieur afin que l'eau puisse d'égoutter à l'extérieur de la maison.
- Installez l'appareil sur le côté nord de la maison, à savoir le côté ombragé.
Ceci vous permettra d'améliorer le rendement de l'appareil.
- ▲ • La fenêtre doit être robuste. Vous devrez peut être installer des supports et des fixations supplémentaires en fonction du type de fenêtre. (Supports et fixations non inclus dans tous les modèles)
- Mesurez la fenêtre avant d'installer l'appareil. Si la fenêtre est trop large, faites-vous aider par un professionnel.
- ▲ • Assurez-vous que l'appareil puisse être branché sur une prise murale adéquate correspondant à la tension et l'intensité de ce dernier afin qu'il puisse fonctionner à plein rendement.
- ▲ • Toute modification au niveau de votre prise électrique doit être effectuée uniquement par un électricien agréé.

Guide d'économies d'énergie

- Lorsque vous installez votre climatiseur, veuillez faire en sorte que la pièce ne comporte aucune ouverture permettant à l'air froid de s'échapper.
- Veuillez ne pas gêner le flux d'air à l'intérieur avec des rideaux ou des meubles et avec des buissons à l'extérieur.
- N'utilisez pas inutilement de lampe ou tout autre appareil risquant de générer de la chaleur.
- Veillez à ce que l'évent demeure fermé lorsque l'appareil fonctionne.
- Veillez à ce que les rideaux et stores de toutes les autres fenêtres soient fermés.
- Lorsque vous cuisinez, utilisez une hotte d'aération et d'extraction dans la cuisine afin d'aspirer toute chaleur produite.
- Utilisez toujours un climatiseur d'une puissance en BTU adéquate afin de refroidir la pièce de façon efficace.

Caractéristiques



1. Thermostat

Permet de régler la température de l'air . Plus on règle sur fort et plus la température de l'air refroidit. Permet de régler la température au niveau qui vous convient le mieux. La température peut-être réglée entre 18,3° et 30°C

2. Vitesse du Ventilateur

Permet de contrôler la vitesse du ventilateur ainsi que la vitesse de l'A/C (refroidissant). L'appareil comprend 3 vitesses d'A/C que vous pouvez régler au niveau qui vous convient le mieux. 'LO' (Bas) fait circuler l'air à basse vitesse, 'MED' (Moyen) à vitesse moyenne et 'HIGH' (Elevée) à la vitesse maximum. Le Ventilateur comprend 2 vitesses de confort. 'MED' (Moyenne)et 'LO' (Basse). La fonction 'Auto Fan'(Ventilateur Automatique) permet de régler la vitesse du ventilateur en fonction de la température de la pièce. Quand la fonction de la température est placée, la vitesse de ventilateur est déterminée selon la différence entre la température de positionnement et la température à l'intérieur de la salle. Lorsque la température réglée est atteint, le ventilateur fonctionne sur 'LO' (Bas)Réglage.

3. Fonction.

Le climatiseur possède 3 fonctions.

a) A/C.

Sur cette position, la climatisation active le compresseur et la vitesse de ventilation souhaitée afin de rafraîchir l'air pour votre plus grand confort.

b) Déhumidificateur.

Cette fonction permet au climatiseur de fonction également en tant que déhumidificateur. Il permet de débarrasser l'air d'une humidité excessive de manière à ce que la pièce reste sèche et agréable à vivre. Cette fonction peut-être utilisée seule si vous ne souhaitez pas utiliser la climatisation.

c) Ventilateur Seul

Vous pouvez faire fonctionner le ventilateur seul par les journées moins chaudes. Le ventilateur peut-être réglé sur 2 positions en fonction de vos préférences. ('MED' (Moyenne)ventilateur et 'LO' (Basse) ventilateur)

4. Economie d'Énergie

Une fois sur la position 'ON' (Marche), le ventilateur s'arrête après les intervalles de 3 minutes d'arrêt du compresseur. Cette fonction permet d'économiser les frais d'électricité et d'énergie et également d'éliminer les bruits inutiles du moteur de ventilation. Sur la position 'OFF' (Arrêt), le ventilateur continue à fonctionner au niveau sélectionné.

5. Minuterie

La climatisation peut-être réglée de manière à ce qu'elle démarre ou s'arrête en fonction de vos préférences. Vous pouvez la programmer jusqu'à 12 heures à l'avance.

6. Passage

Le passage d'air frais permet au climatiseur de recycler l'air intérieur, air frais d'aspiration dans la salle et d'épuiser l'air éventé à l'extérieur.

7. 4 Balayage d'Air

Les volets d'aération directionnels permettent d'orienter la direction de la circulation d'air en fonction de ses préférences. La circulation d'air peut être dirigée vers le haut 'up', le bas 'down', la droite 'right side' ou la gauche 'left side'.

8. Châssis Coulissant

Cette fonction permet d'augmenter les possibilités du Climatiseur. Vous pouvez installer l'appareil soit à une fenêtre, soit sur un mur.

9. Kit d'Installation pour Fenêtre

Permet d'installer le climatiseur sur une fenêtre double à guillotine. Il peut s'avérer nécessaire d'utiliser divers types de supports supplémentaires en fonction du type de fenêtre.

10. Télécommande

La télécommande fonctions intégrales permet de faire fonctionner la climatisation à distance. Inutile de se lever pour changer le réglage, les fonctions ou encore allumer ou éteindre l'appareil.

11. Panneau de Contrôle Electronique à Ecran à cristaux liquides

L'écran à cristaux liquides à 4 fonctions permet d'afficher la Température de la Pièce, le Réglage de la Température, le Réglage de la Minuterie ainsi que le Temps Restant avant d'Arrêter/de Mettre en route l'appareil. Le Panneau de Contrôle Electronique permet de régler la température Exacte souhaitée

12. Mode sous-tension

Lorsque ce mode est activé, l'appareil déclenche automatiquement une minuterie d'arrêt de 8 heures. L'appareil s'éteint 8 heures après.

Guide d'utilisation

Bruits de fonctionnement lors d'une exploitation normale

Les témoins sonores suivants se font normalement entendre durant le fonctionnement de la climatisation:

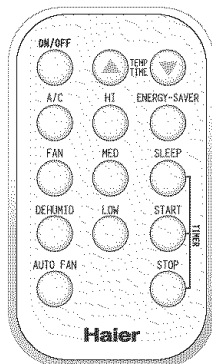
- Des mouvements d'air froids régis par la vitesse du réglage du ventilateur.
- Des bruits d'eau. Ces bruits sont normaux dans la mesure où le climatiseur sert également de déshumidificateur. Il est donc normal d'entendre des bruits d'eau qui proviennent des gouttelettes qui tombent sur le condensateur .
- Lorsque le liquide réfrigérant circule à l'intérieur du système de conduits internes, un bruit d'écoulement peut se faire entendre.
- Des bruits de claquement ou des vibrations peuvent se faire entendre lors d'une mauvaise installation au mur ou à une fenêtre.
- Le compresseur émet parfois des bruits très aigus.

Instructions d'exploitation

Vous trouverez ci-dessous les directives de fonctionnement du climatiseur d'air électronique:

Après avoir installé le climatiseur, brancher l'appareil dans une prise électrique murale adaptée. L'ouverture de ventilation doit être placée sur la position fermée. Vous pouvez alors régler la climatisation au niveau qui vous convient. La télécommande intégrale sans fil permet de faire fonctionner la climatisation sans avoir à se déplacer jusqu'à l'appareil. Totalement fonctionnelle, cette caractéristique vous permet de changer les réglages ainsi que d'allumer au d'éteindre l'appareil directement à partir de la télécommande. La touche de commande fonctionne de la même manière que celle se trouvant sur le climatiseur . (Voir fig. # 1)

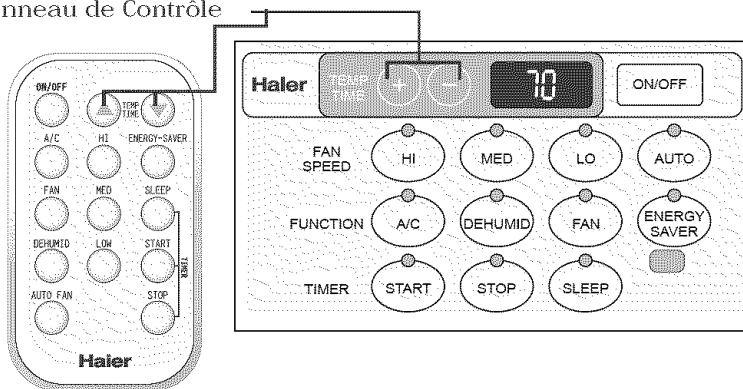
fig. # 1
Télécommande



Une fois l'appareil branché, un test automatique s'effectue. L'intégralité des lumières de l'affichage s'allument pendant 3 secondes. L'affichage à cristaux liquides affiche alors "88". Si l'une des lumières de l'affichage ne fonctionnait pas, il faudrait alors faire réparer l'appareil. A la fin du test de 3 secondes, l'appareil passe automatiquement en mode sous tension. L'ensemble des lumières s'éteint et il faut alors allumer l'appareil en appuyant sur la touche 'On/Off' (Marche/Arrêt). Après avoir appuyé sur la touche d'On/Off, l'unité commence à fonctionner et écrit le mode du 'Fan Only' avec une basse configuration. Appuyer sur la touche (+) ou (-) située sur 'Temp/Time' (Temp/Heure) afin de régler la température en fonction de vos préférences. Vous pouvez sélectionner une température comprise entre 16 °C et 30°C. Une fois la température réglée, vous pouvez la monter ou la baisser en appuyant sur les touches (+) ou (-). La configuration de la température peut être ajustée seulement quand l'unité est se refroidissante ou dehumidifying. (Voir fig. # 2)

fig. # 2

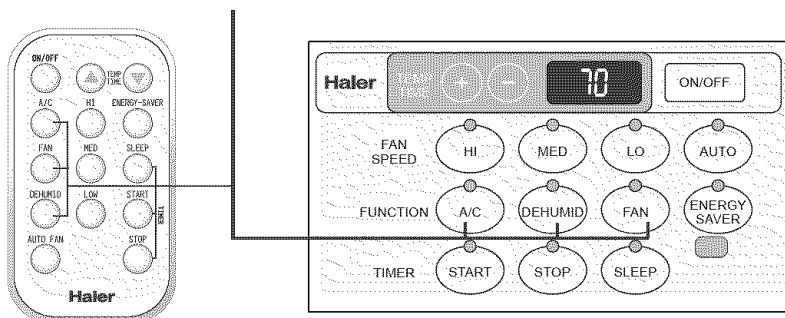
Panneau de Contrôle



Après avoir réglé la température, vous devez régler le type de fonctionnement du climatiseur. Pour de l'air frais, appuyer sur la fonction 'A/C'. Si vous souhaitez uniquement éliminer l'humidité, appuyer sur la fonction 'Dehumid' (Déhumidificateur). Pour n'utiliser que le ventilateur, appuyer sur la fonction 'Fan' (Ventilateur) (Voir fig. # 3)

fig. # 3

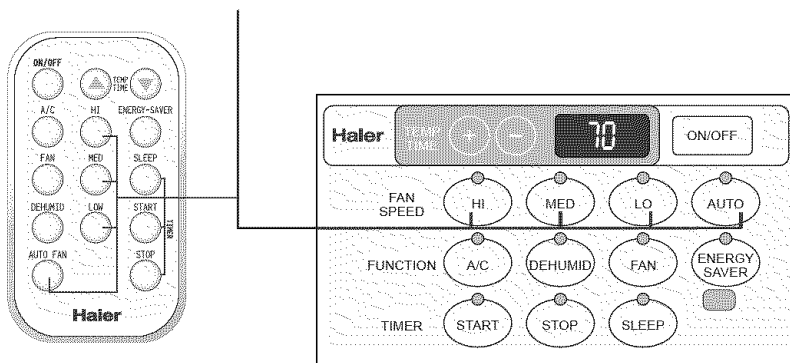
Panneau de Contrôle



Après avoir sélectionner le mode, régler la vitesse de ventilation. Si vous sélectionnez le mode A/C, le ventilateur peut fonctionner sur 3 vitesses: 'Hi' (Rapide), 'Med' (Moyenne), et 'Lo' (Basse); ou en mode 'Auto speed' (Vitesse automatique). En mode de vitesse automatique, le ventilateur démarre sur 'High' (Rapide) puis se règle sur 'Lo' (Bas) en fonction des fluctuations de la température de la pièce. Une fois que la température souhaitée de la pièce est atteinte, le réglage de ventilation automatique fait démarrer le ventilateur sur 'Lo' (cela prend 3 minutes pour commuter la vitesse de ventilateur). (Voir fig. # 4)

fig. # 4

Panneau de Contrôle

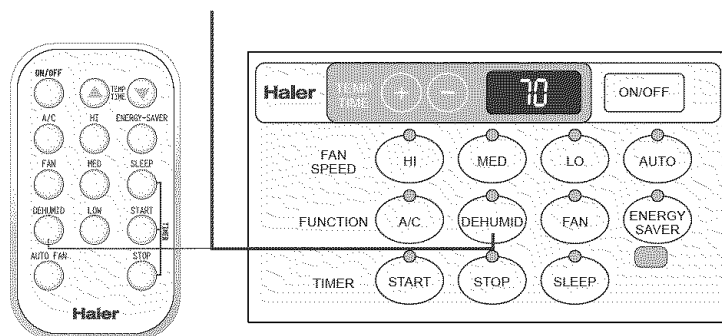


si vous choisissez d'utiliser la fonction de déshumidification, puis elle permet d'éliminer surplus d'humidité de l'air par les jours de grandes chaleurs humides. Une fois ce mode sélectionné, le compresseur fonctionne en permanence et le ventilateur marche sur la vitesse sélectionnée. Une fois que la température de la pièce est atteinte, le compresseur se met en marche pendant 10 minutes puis s'arrête 6 minutes. Sur cette position, le ventilateur fonctionne sur la vitesse 'Lo' (Basse). Si la température descend au-dessous du réglage, le compresseur s'éteint et le ventilateur continue de fonctionner à basse vitesse. Le processus de déshumidification intervient entre le réglage de la température et 3 ° au-dessus de ce réglage.

(Voir fig. # 5).

fig. # 5

Panneau de Contrôle



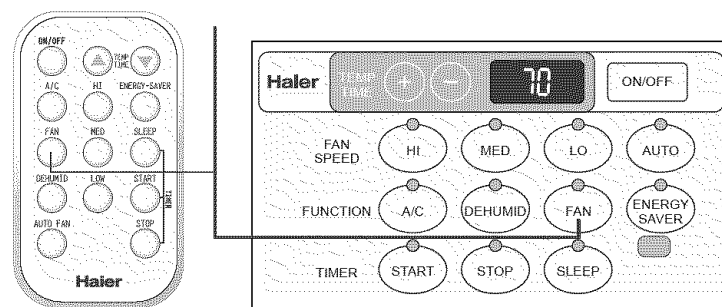
Par des journées plus fraîches, il peut s'avérer utile d'utiliser la fonction 'Fan Only' (Ventilateur seul). Cette fonction permet au ventilateur de ne fonctionner que sur 2 vitesses: 'Med' (Moyenne) ou 'Lo' (Basse).

Le ventilateur ne peut alors pas fonctionner sur la vitesse 'High' (Elevée).

(Voir fig. # 6)

fig. # 6

Panneau de Contrôle



Timer mode' (Mode minuterie) sert à pré-démarrer ou à éteindre l'appareil à l'avance: Vous pouvez programmer jusqu'à 12 heures à l'avance. La Minuterie possède 3 fonctions: 'A/C', 'Dehumid' (Déshumidificateur) et 'Fan Only' (Ventilateur seul).

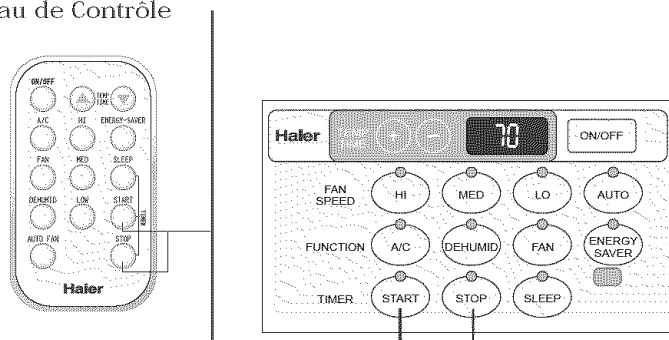
- Démarrage de la Minuterie (Voir fig. # 7)
 Pour régler la minuterie, l'appareil doit être allumé. L'appareil s'éteint automatiquement après l'acceptation du réglage dans les 5 secondes. Utiliser ce mode pour pré-régler l'heure du démarrage de l'appareil jusqu'à 12 heures à l'avance.
 - a) Appuyer sur 'Start' (Marche), l'affichage à cristaux liquides indique 'XX' (placez l'heure, la fois passée). Si la puissance est reliée pour la première fois, l'affichage à cristaux liquides indiquera '01'.
 - b) Régler le nombre d'heures souhaité à l'aide de la touche (+) des boutons 'Temp/Timer', (Temp/Minuterie) un par heure. Si vous dépassez l'heure souhaitée, servez-vous de la touche (-) pour revenir en arrière.

- Arrêt de la Minuterie (Voir fig. # 7)
 Pour arrêter la minuterie, l'appareil doit être allumé. Se servir de cette fonction pour pré-régler l'heure à laquelle vous souhaitez arrêter l'appareil.
 - a) Appuyer sur 'Stop' (Arrêt), l'affichage à cristaux liquides indique 'XX' (placez l'heure, la fois passée). Si la puissance est reliée pour la première fois, l'affichage à cristaux liquides indiquera '01'.
 - b) Régler le nombre d'heures souhaité à l'aide de la touche (+) des boutons 'Temp/Timer', un par heure. Si vous dépassez l'heure souhaitée, servez-vous de la touche (-) pour revenir en arrière.

Lorsque l'on se sert de la minuterie, l'appareil reprend les réglages précédents d'Air conditionné et de ventilation lorsqu'il se met en marche. La minuterie doit être réglée à nouveau à chaque nouvelle utilisation.

fig. # 7

Panneau de Contrôle

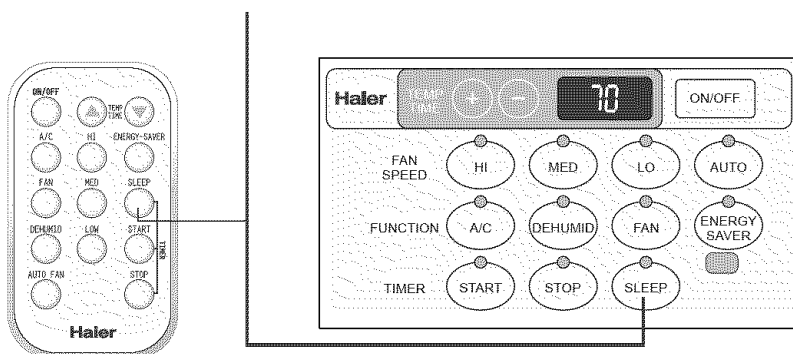


Supportez la configuration du mode une fois pour lancer. En le supportant d'une seconde de temps, la configuration sera annulé.

Le Mode 'Sleep' (Sommeil) permet de préréglager l'appareil de manière à ce qu'il s'éteigne 8 heures plus tard. Le mode 'Sleep' (Sommeil) ne fonctionne que sur la position 'A/C'. Après avoir préréglé la température, elle monte de 2 degrés au cours de la première heure, puis à nouveau de 2 degrés pendant l'heure suivante. Elle reste ensuite constante pendant les 6 prochaines heures. Dans la mesure où le corps humain ne produit pas autant de chaleur pendant la nuit, et que les nuits sont généralement plus fraîches, cette fonction permet de dormir confortablement durant toute la nuit sans avoir à se réveiller pour changer le réglage de température. (Voir fig. # 8)

fig. # 8

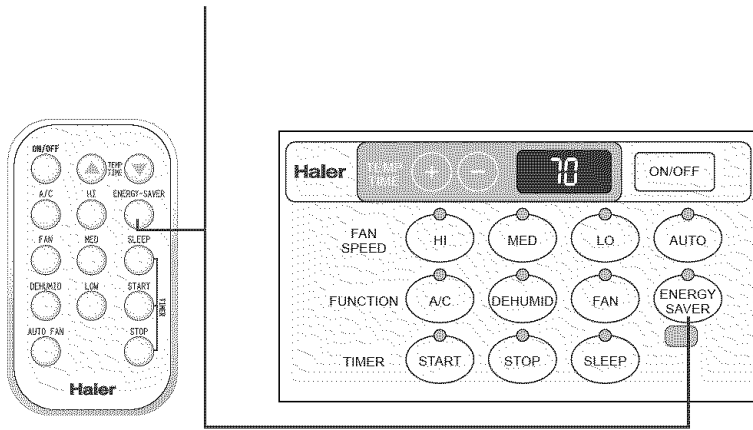
Panneau de Contrôle



Economie d'Énergie: Cette touche permet d'activer le mode 'Energy Saver' (Economie d'Énergie) de l'appareil. Le ventilateur s'arrête après 3 minutes où le compresseur s'arrête. En le désactivant, le ventilateur continue à fonctionner sur la vitesse sélectionnée, et ce même dans le cas où le compresseur s'arrête (la fonction est seulement disponible dans le mode d'cA/C). (Voir fig. # 9)

fig. # 9

Panneau de Contrôle



Lorsque l'appareil est en mode 'On' (Marche), l'affichage à cristaux liquides indique la température de la pièce. Appuyer sur la touche (+) pour régler la température. Lorsque l'appareil fonctionne en mode 'Timer Stop' (Arrêt Minuterie), l'affichage à cristaux liquides indique le temps restant avant que l'appareil s'éteigne. Pour annuler l'Arrêt de la Minuterie, appuyer sur la touche d'arrêt 'Off' principale.

Installations

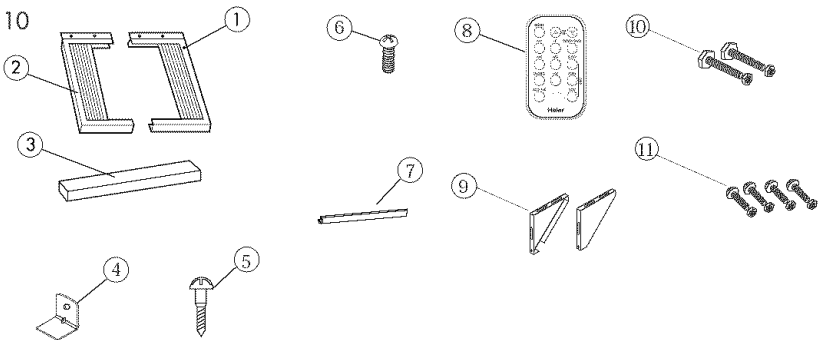
Vérifiez les points suivants avant d'installer votre climatiseur:

- 1) Vérifiez que rien ne gêne l'appel et le flux d'air à l'intérieur et à l'extérieur de la pièce (par ex: rideaux, tentures, meubles, plantes, buissons, arbres ou toute autre type de construction comme un immeuble, un garage, etc.). Il est important que rien ne gêne le flux d'air allant au condenseur afin que l'appareil puisse évacuer l'air chaud.
- 2) Vérifiez que la fenêtre est suffisamment robuste afin de supporter le poids du climatiseur. Vous devrez peut être installer des supports et fixations supplémentaires en fonction du type de fenêtre. (Supports et fixations non inclus dans tous les modèles).
- 3) Vérifiez que le rebord de la fenêtre est suffisamment robuste afin de supporter le poids du climatiseur.
- 4) Vérifiez que le mur est suffisamment robuste afin d'accueillir le climatiseur. Vous devrez peut être installer des supports et fixations supplémentaires en fonction du type de mur. (Supports et fixations non inclus dans tous les modèles).
- 5) Vérifiez qu'il existe une source de courant électrique adéquate à proximité de l'appareil.
- ▲ 6) NE PAS utiliser de fiches d'adaptation.
- ▲ 7) NE PAS utiliser de rallonges.
- ▲ 8) NE PAS couper ni retirer la broche de masse de la fiche.
- ▲ 9) NE PAS modifier, la fiche ni la prise électrique murale. Si la fiche ne correspond pas à la prise murale, contactez un électricien agréé afin de procéder à la modification.
- ▲ 10) NE PAS brancher le cordon électrique avant d'installer l'appareil.
- ▲ 11) NE PAS utiliser l'appareil si le cordon d'alimentation est effiloché ou fissuré, ou si la fiche et le connecteur sont endommagés.

Pièces fournies (Voir fig. # 10)

Réf.	Description de la pièce	Modèle
		HWR18VC3 HWR24VC3
1	Persienne droite	1
2	Persienne gauche	1
3	Joint en mousse de la fenêtre à guillotine	1
4	Consoles d'angle du fond	1
5	Vis à bois 31/32 po.	10
6	Vis de 13/32 po.	10
7	Rail de montage supérieur	1
8	Télécommande et batterie	1
9	Fixations d'Installation	2
10	2 1/2 po. Boulon et contre-écrou	2
11	19/32 po. Vis et contre-écrou	4

fig. # 10



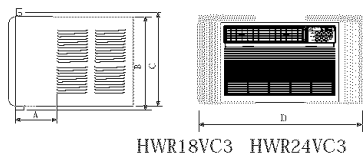
Outils

Vous aurez besoin des outils suivants pour l'installation du climatiseur:

- Ciseaux
- Tournevis cruciforme
- Tournevis ordinaire
- Pincés
- Clé à molette
- Perceuse et forets
- Mètre (ruban gradué)
- Gants
- Niveau
- Clé à douille

Installation du climatiseur sur une fenêtre

Le climatiseur a été conçu afin d'être installé sur une fenêtre à guilotine simple ou double. Chaque climatiseur est fourni avec un kit d'installation avec des persiennes qui permettent de fermer les ouvertures des deux côtés, entre le climatiseur et la fenêtre. Le tableau ci-dessous indique les dimensions de chaque appareil avec ou sans kit d'installation. Mesurez la largeur de l'ouverture de la fenêtre et comparez-la au tableau ci-dessous afin de vous assurer qu'elle correspond aux critères minimum et maximum.

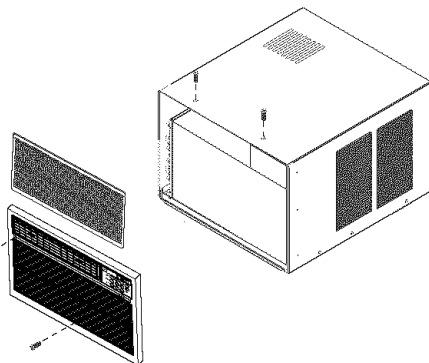


Modèle	HWR18VC3	HWR24VC3
Dimensions		
A (po.)		$11 \frac{2}{5}$
B (po.)		$18 \frac{3}{5}$
C (po.)		$18 \frac{3}{5}$
D (po.) max.		$42 \frac{5}{16}$
D (po.) min.		$30 \frac{1}{8}$
Hauteur de boîte		$18 \frac{21}{32}$
Largeur de boîte		$26 \frac{9}{16}$
Profondeur de boîte		$24 \frac{13}{32}$

Modèles HWR18VC3 HWR24VC3

7 PRÉPAREZ LE CLIMATISEUR POUR L'INSTALLATION

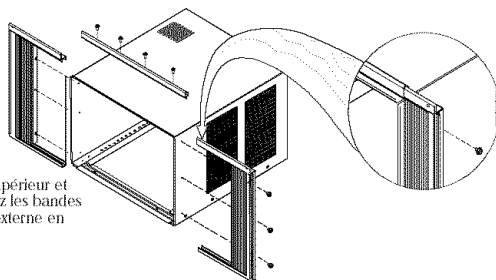
Déballiez le climatiseur par terre, à côté de l'endroit où vous désirez l'installer. Sortez le filtre en tirant sur les languettes gauches et droites situées sur la façade. Retirez les deux vis de fixation. Séparez l'habillage externe en utilisant un couteau à mastiquer dans chaque point de fixation indiqué par les flèches. Retirez les deux vis situées sur le dessus de l'habillage externe. Saisissez la poignée du bac inférieur et tirez lentement afin de retirer le boîtier de l'habillage externe. Remarque: recouvrez la pointe du couteau à mastiquer avec un ruban adhésif afin de ne pas endommager la fini du climatiseur.



Attention: Ne jamais soumettre la façade en plastique ou la grille du climatiseur à des températures extrêmes.

2 MONTEZ LES RIDEAUX ET LE RAIL SUPÉRIEUR

Montez le rail supérieur en utilisant quatre (4) vis de 13/32 po.



Glissez le rideau gauche à gauche, dans les rails supérieur et inférieur. Répétez l'opération pour le rideau droit. Fixez les bandes de retenue des rideaux sur les côtés de l'habillage externe en utilisant six (6) vis de 13/32 po.

3 PRÉPAREZ LA FENÊTRE POUR L'INSTALLATION

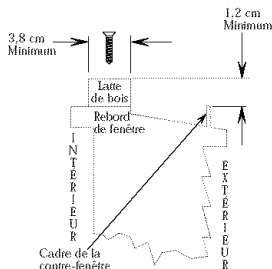
Inspectez le cadre et le rebord de la fenêtre afin de vous assurer qu'ils pourront supporter le poids du climatiseur.

Mesurez la largeur entre les moulures de la fenêtre afin de vous assurer que le kit d'installation immédiate "Instant Mount" puisse s'encaster instantanément. Les modèles à kit d'installation immédiate "Instant Mount" ont été conçus pour des fenêtres correspondant aux caractéristiques de la page 44.

Le kit d'installation immédiate "Instant Mount" qui est fourni avec le climatiseur a été conçu afin de pouvoir installer le climatiseur sur la plupart des fenêtres à guillotine sans contre-fenêtres. Pour installer le climatiseur sur un cadre de fenêtre sans contre-fenêtre, modifiez le rebord de la fenêtre en ajoutant des lattes de bois (ce n'est pas inclus) au niveau du bord intérieur et du bord extérieur de la fenêtre. Vous parviendrez ainsi à surélever le climatiseur et à pouvoir négocier toute obstruction que risque de présenter le cadre de la contre-fenêtre.

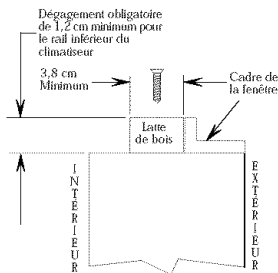
Installation sur fenêtre à contre-fenêtre

Si le cadre de la contre-fenêtre ne laisse pas suffisamment d'espace entre le rebord (dégagement obligatoire de 1,2 cm), retirez le cadre de la contre-fenêtre ou faites en sorte d'obtenir le dégagement désiré en ajoutant une latte de bois (mesurant au moins 3,8 cm de largeur) tout au long de la largeur du bord de la fenêtre. Fixez la latte de bois au rebord de la fenêtre avec au moins trois vis à bois à tête fraisée (non fournies avec le kit). Vous obtiendrez ainsi une surface lisse afin de placer le climatiseur.



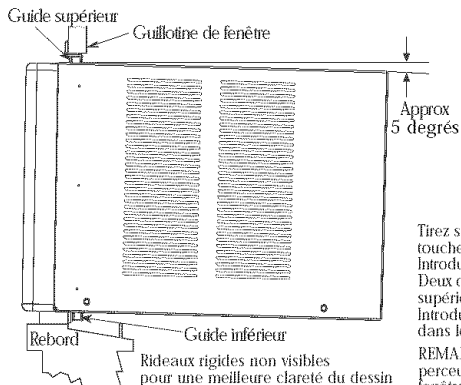
Installation sur fenêtre de caravanes et maisons-mobiles

Placez la latte de bois (mesurant au moins 3,8 cm de largeur) tout au long de la largeur du bord de la fenêtre. L'épaisseur de la latte de bois devrait correspondre à la largeur de la levre avant du cadre de la fenêtre. Fixez la latte de bois au rebord de la fenêtre avec un moins trois vis à bois à tête fraisée (non fournies avec le kit). Vous obtiendrez ainsi une surface lisse afin de placer le climatiseur.

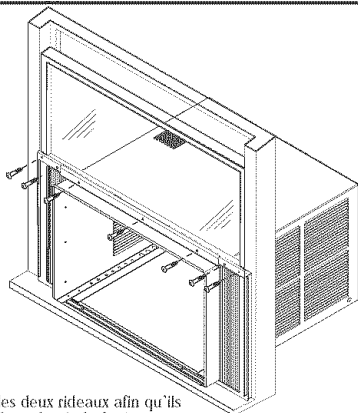
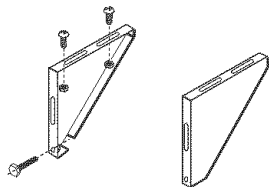


4 INSTALLER L'HABILLAGE EXTERNE DANS LA FENÊTRE

Placez l'habillage externe du climatiseur dans la fenêtre. Abaissez la vitre jusqu'à ce qu'elle repose derrière le rebord avant du rail supérieur. Le rail inférieur doit reposer derrière le rebord de la fenêtre. Utilisez un niveau afin de correctement installer le climatiseur.

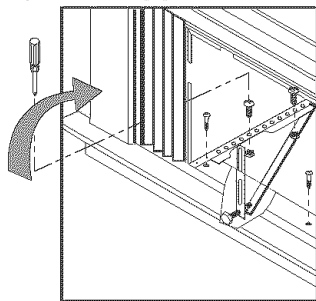


Utilisez deux vis à bois (31/32 po.) afin de fixer le boîtier au cadre de la vitre. Fixez les équerres de support gauche et droite comme illustré ci-contre. Introduisez le boulon (boulon à tête plate de 6,3 cm de long et son contre-écrou) sur l'équerre de support et réglez-les à la longueur adéquate puis utilisez quatre vis (19/32 po.) pour fixer l'équerre de support au boîtier.



Tirez sur les deux rideaux afin qu'ils touchent le cadre de la fenêtre. Introduisez quatre vis à bois (31/32 po.). Deux dans chaque rideau, dans la partie supérieure des rideaux. Introduisez trois vis à bois (31/32 po.) dans le rail de montage.

REMARQUE: Afin de faciliter l'introduction des vis, avec une perceuse, percez un trou de guidage dans le cadre de cette fenêtre en passant par le trou de dégagement situé dans les rideaux.

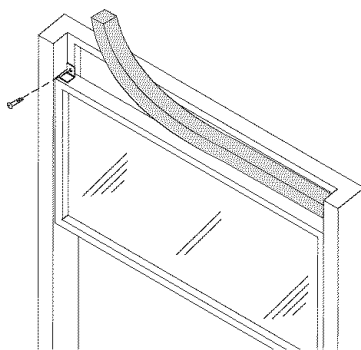


5 INSTALLER LE SUPPORT DE LA VITRE ET LE JOINT

Installez le support de la vitre sur le dessus du cadre de la vitre à l'aide d'une vis à bois afin de ne pas pouvoir lever la vitre à partir de l'extérieur. Vissez la pièce d'ancrage directement dans le montant latéral du cadre de la fenêtre. Pour les bois durs et les cadres métalliques, utilisez une perceuse afin de percer un trou de guidage pour commencer à visser.

Note importante: Faites attention à ne pas percer le trou de guidage trop profondément. Collez un morceau de ruban adhésif sur le foret afin de mesurer la profondeur. Veillez à demeurer loin du verre. Assurez-vous que cette opération ne nuise pas au fonctionnement de la fenêtre.

Coupez le joint d'étanchéité de la fenêtre afin qu'il corresponde à la largeur de la fenêtre. Enfoncez le joint d'étanchéité entre le verre de la vitre externe et le dessus du cadre de la vitre intérieure. Vous empêcherez ainsi l'air extérieur de passer pour un meilleur rendement.

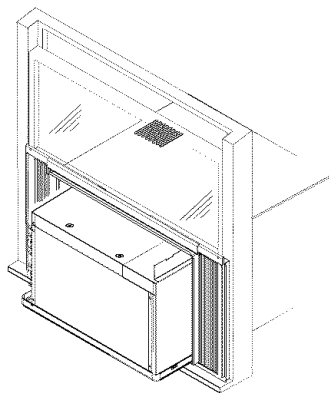


6 REPLACER LE BOÎTIER DANS L'HABILLAGE EXTÉRIEUR

Faites-vous aider par une deuxième personne afin de replacer le boîtier dans l'habillage extérieur. Remplacez le panneau avant et la grille (veuillez ne pas oublier d'installer les deux vis de fixation avant de replacer la grille).

Partout où cela s'avère possible, remplacez les deux vis sur le dessus de l'habillage extérieur que vous aviez retirées lors de l'étape 1.

NOTE IMPORTANTE: Étant donné que le cadre de la vitre contribue à maintenir le climatiseur en place dans la fenêtre, assurez-vous que le cadre de la vitre touche l'habillage extérieur avant de replacer le boîtier.



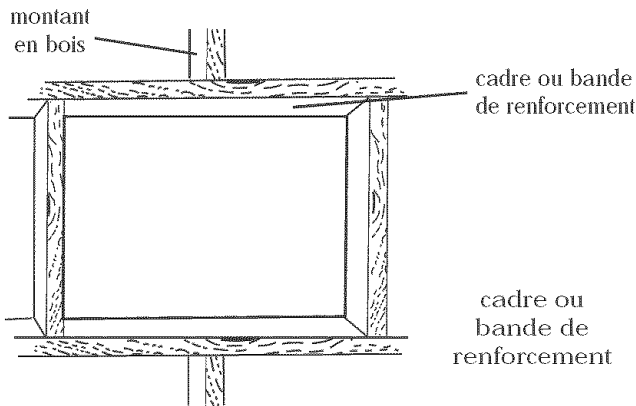
Installation dans un mur: pour bâti amovible

Remarque: Enlevez les deux vis d'expédition sur le dessus du climatiseur qui tiennent le châssis sur l'enveloppe de coquille externe.

Une fois retirées, il est inutile de les remettre e place. Afin de vous assurer que le climatiseur a été correctement monté dans le mur par un technicien agréé s'étant familiariser à ce type de montage.

1) Utilisez une planche de bois d'au moins 1 po. (2,54 cm) d'épaisseur afin de construire un cadre en bois afin de correspondre aux dimensions de l'habillage de votre appareil.

2) Mesurez la largeur de l'extérieur et la hauteur du cadre afin de déterminer les dimensions de l'ouverture à pratiquer dans le mur . La profondeur du cadre dépendra de la profondeur du mur. Après avoir terminé de construire le cadre, placez-le dans le mur. Le cadre doit être carré et à niveau. N'oubliez pas que le cadre doit être solidement fixé aux montants en bois de la cloison avec des clous.
(Voir fig. # 21)



3) Pour installer, placez l'habillage dans l'ouverture pratiquée dans le mur. (Retirez tout d'abord le bâti en suivant les étapes 1 à 6 de la section "Installation sur Fenêtre: Bâti amovible"). Vérifiez que l'habillage dépasse d'au moins 1/2 po. (1,2 cm) dans l'appartement. De plus, veillez à ce que rien ne gêne les persiennes latérales afin que l'air puisse circuler librement à l'intérieur du compresseur. (Voir fig. # 22).

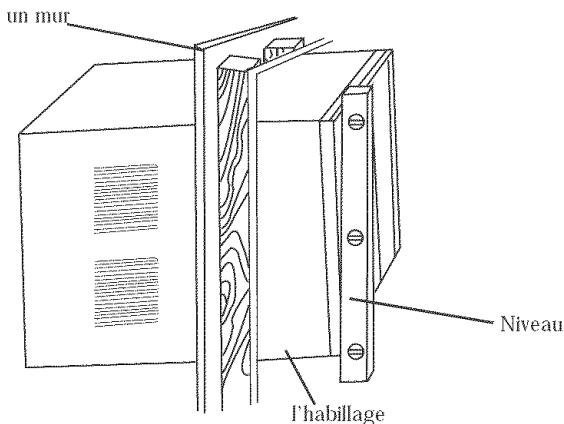


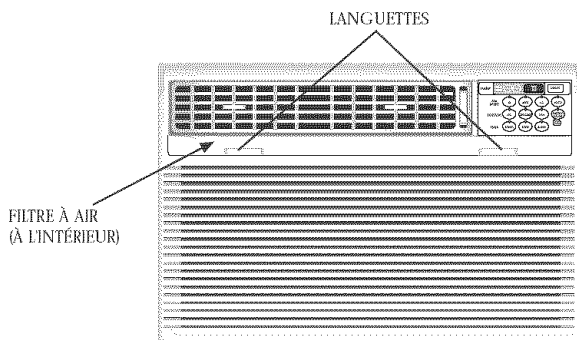
fig. # 22

Inclinaison typique
de l'habillage vers
l'extérieur

- 4) L'habillage doit être penché 1/4 po. (6 mm) vers l'extérieur afin que l'eau puisse d'égoutter à l'extérieur.
- 5) Isolez et étanchez toute ouverture entre l'habillage et le cadre en bois.
- 6) Utilisez les trous de vis sur les côtés de l'appareil destinés au kit de montage pour fenêtre ainsi que les trous de vis du kit de rail de montage supérieur afin de fixer l'habillage au cadre en bois, utilisez les vis de 31/32 pouce.
- 7) Installez le tube ou le coude de drain sur le châssis (pas dans tous les modèles). Ajustez la direction du tube de drain (coude de drain) pour le faire être en conformité avec le trou dans l'arrière de l'unité. Insérez le tube de drain (coude de drain) dans le trou et tordez. (Voir fig. # 15)
- 8) En vous faisant aider par une deuxième personne, soulevez le bâti du climatiseur et glissez-le dans l'habillage.
- 9) Vissez la vis de sécurité et remplacez la grille en appuyant.
- 10) Si vous avez retiré le filtre, remettez-le en place.
- 11) Vissez les deux vis latérales qui tiennent le gril sur l'enveloppe.
- 12) Utilisez les montages extérieurs de mur si nécessaire.

CAUTION: Si l'appareil paraît r être mai installé après avoir suivi les étapes précédentes, contactez un installateur qualifié.

Guide de Nettoyage et d'entretien



- * Débranchez toujours le cordon électrique avant de nettoyer le climatiseur.
- * Le filtre à air doit être nettoyé au moins une fois par mois afin que l'appareil fonctionne à son rendement optimal. Le filtre à air peut être retiré en tirant sur les languettes gauche ou droite situées sur le filtre à air. Le filtre peut être lavé ou nettoyé à l'aspirateur. Retirez l'eau du filtre en le secouant légèrement. Ceci vous permettra de retirer la poussière et les particules à l'intérieur du filtre. Après avoir nettoyé le filtre, remplacez-le.
NE PAS utiliser le climatiseur sans filtre.
- * Pour nettoyer les panneaux avant ou l'habillage, NE PAS utiliser les produits suivants: produits chimiques puissants, agents abrasifs, chlore, ammoniac, détergents concentrés, solvants, tampons à récurer ou tampons en laine ou paille de fer. Certains de ces produits chimiques risquent de dissoudre, d'endommager et de décolorer la surface du climatiseur.
- * Veillez à toujours utiliser un chiffon humide avec de l'eau ou une solution savonneuse à base d'eau et de savon peu puissant afin d'essuyer l'avant de l'habillage. Séchez en essuyant avec un chiffon sec.

- Pour ranger et remiser votre climatiseur après la saison chaude, retirez l'appareil de la fenêtre en suivant les instructions du guide d'installation. Remplacez le climatiseur dans son carton d'origine et rangez-le. Si votre appareil a été monté dans un mur ou une cloison ou si vous ne comptez pas le retirer de la fenêtre, placez une housse de protection pour l'hiver sur la partie extérieur. Vous pouvez vous procurer ces housses auprès du revendeur qui vous a vendu le climatiseur ou auprès de votre quincaillier le plus proche.
- Avant de remiser l'appareil, assurez-vous qu'il ne reste pas d'eau dans le bac et que toute l'eau a été purgée. Toute eau demeurée dans le bac risque d'entraîner la formation de rouille et d'endommager les raccordements électriques.

Guide de dépannage

Si le climatiseur ne fonctionne pas:

- Assurez-vous que le cordon électrique est branché. La fiche risque de s'être débranchée.
- Assurez-vous que l'appareil se trouve sur "Off" (mode d'arrêt).

L'air sortant du climatiseur est chaud:

- Le réglage de l'air conditionné doit probablement être augmenté.

Du givre se forme sur les bobines de refroidissement:

- La température extérieure est trop froide. Réglez l'appareil sur le mode de ventilation afin de dégivrer les bobines.
- Abaissez la température. Le réglage de la température est probablement trop bas.
- La puissance en BTU de l'appareil est probablement trop élevée pour la pièce.

Le climatiseur fonctionne mais la pièce ne se refroidit pas:

- La pièce comporte sans doute des appareils générant de la chaleur. Utilisez un ventilateur extracteur d'air afin de retirer la chaleur.
- L'évent est probablement ouvert. Fermez l'évent pour refroidir la pièce au maximum.
- Toutes les portes et fenêtres doivent être fermées afin que l'air froid ne puisse s'échapper de la pièce.
- Il est possible que les filtres soient sales et doivent être nettoyés.
- La puissance en BTU de l'appareil est insuffisante afin de refroidir la pièce.
- Il faut toujours un peu plus de temps pour refroidir une pièce lors d'une chaleur extrême et d'une forte humidité.

Le climatiseur fait du bruit lorsqu'il fonctionne:

Vous entendrez sans doute des bruits de déplacements d'air, d'eau, des déclics et les vibrations de la fenêtre. Lisez attentivement la section "Bruits de fonctionnement lors d'une exploitation normale" du guide d'utilisation. (Voyez la page 34)

Présence d'eau dans l'habillage du climatiseur:

Ceci est normal car le climatiseur non seulement refroidit mais assèche l'air. Si de l'eau s'égoutte dans la pièce, vérifiez l'installation. Vous devrez peut être recommencer l'installation. (Voyez la page 46)

Garantie Limitée

Cette garantie couvre les pièces suivantes du climatiseur contre tous vices de fabrication et de matériaux:

1. Les pièces mécaniques et électriques (y compris les frais de main d'oeuvre) de ce produit Haier pour une période de 12 mois à partir de la date d'achat (pour utilisation commerciale et location, la garantie est de 90 jours).
2. Le système scellé et le compresseur contenu à l'intérieur de ce produit Haier pour une période de 5 ans à partir de la date d'achat (frais de main d'oeuvre non compris après les 12 premiers mois de couverture) Si l'appareil est utilisé commercialement ou en location, la garantie supplémentaire du compresseur est de 1 à 9 mois (frais de main d'oeuvre non compris après les 90 premiers jours).

Veillez conserver votre reçu de vente daté comme preuve d'achat.

Qui est couvert?

L'acheteur d'origine ayant fait l'acquisition de cet appareil Haier.

Quelles sont les réparations couvertes?

Haier s'engage à réparer ou à remplacer à votre domicile et pour une durée de 12 mois, toute pièce mécanique ou électrique du compresseur ayant été déterminée défectueuse suite à une utilisation jugée normale. Haier s'engage à réparer ou à remplacer (frais de main d'oeuvre non compris) le système scellé et le compresseur (pièces uniquement) pour une période supplémentaire de 4 ans.

Démarches à suivre pour toutes réparations

1. Contactez votre centre de réparation agréé Haier le plus proche.

Pour connaître le nom du centre agréé Haier le plus proche, composez le (877) 337-3639.

2. Toute réparation doit être effectuée par un centre de réparation agréé Haier.

LA GARANTIE COUVRE LES APPAREILS SUR LE TERRITOIRE CONTINENTAL DES ETATS-UNIS, AU CANADA ET À PUERTO RICO. ELLE NE COUVRE PAS:

- Les dommages survenant suite à une installation incorrecte.
- Les dommages survenant lors du transport.
- Les dommages et dégâts suite à toute utilisation incorrecte ou abusive, négligence ou modification.
- Les dommages suite à des réparations ayant été effectuées par un concessionnaire ou revendeur autre que par un centre de réparation agréé Haier .
- Les pièces de garniture en verre.
- Les frais de main d'oeuvre, de réparations, de transport et tous frais d'expédition couvrant le démontage de pièces et le montage des pièces de rechange au-delà des 12 premiers mois.

LA PRÉSENTE GARANTIE REMPLACE TOUTE AUTRE GARANTIE EXPRESSE OU IMPLICITE Y COMPRIS TOUTE GARANTIE DE COMMERCIALITÉ OU DE QUALITÉ MARCHANDE ET D'APTITUDE À UNE UTILISATION PARTICULIÈRE.

Le recours offert par la garantie est un recours exclusif et tient lieu de recours unique. Cette garantie ne couvre pas les dommages accessoires ou indirects. Certains états ou provinces ne permettent ni la limitation de la durée d'une garantie implicite ni l'exclusion de dommages indirects. Les limites ou exclusions mentionnées ci-dessus peuvent ne pas s'appliquer dans votre cas. Cette garantie vous confère des droits juridiques particuliers et il est possible que vous ayez d'autres droits qui peuvent varier selon l'état et la province.

Un Mensaje De Haier

Le agradecemos que haya comprado el acondicionador de aire de HAIER para habitación, un aparato confiable, que ahorra energía y de operación fácil. Este manual contiene información útil para el mantenimiento, la operación, la instalación y el uso seguro de su acondicionador de aire para habitación. El acondicionador de aire limpia, enfría y reduce la humedad del aire de la habitación para proporcionarle el más alto nivel de confort.

Por favor, lea cuidadosamente estas instrucciones antes de usar el aparato. Además, no olvide llenar y enviarnos por correo la

Tarjeta de Registro del Producto.

Registro Del Producto

Registre el Modelo y Número de Serie de su Aparato

Para todos los pedidos de servicio durante el período de garantía es necesario tener la siguiente información. Adjunte su recibo de compra a esta guía y guárdelos para referencia futura.

La información que aquí se pide se encuentra en la placa de serie del acondicionador de aire. La placa está colocada en el gabinete (en el costado lateral o en el respaldo) o puede ser necesario remover la rejilla del frente para encontrarla.

Modelo Número:






Número de Serie:

Fecha de Compra:

Nombre del Distribuidor:

Dirección del Distribuidor:





Teléfono del Distribuidor:

TABLA					
TIPO DE RECEPTACULO Y FUSIBLES					
VOLTIOS INDICADOS	125/60		250/60		
AMPERES	15	20	15	20	30
RECEPTACULO DE PARED					
CAPACIDAD DEL FUSIBLE	15	20*	15	20*	30
FUSIBLE ELEVADOR O INTERRUPTOR	TIPO DE ENCHUFE	TIPO DE ENCHUFE	TIPO DE ENCHUFE		

PRECAUCIONES DE SEGURIDAD

ADVERTENCIA: *Tome estas precauciones básicas para reducir los riesgos de incendio, choque eléctrico, lesiones o accidentes fatales, cuando usa su acondicionador de aire.*



- 1) El acondicionador de aire debe conectarse a un receptáculo eléctrico adecuado, energizado con la corriente apropiada. (ver la tabla)
-  2) La conexión eléctrica debe proporcionar una conexión segura a tierra para reducir los riesgos de choque eléctrico o incendio. **NO CORTE O REMUEVA LA CLAVIJA DEL ENCHUFE QUE PROPORCIONA LA CONEXIÓN A TIERRA.** Si no tiene en la pared un receptáculo eléctrico para tres clavijas, pida a un electricista certificado que le instale el receptáculo adecuado. El receptáculo **DEBE** estar conectado a tierra correctamente.
-  3) No use un cable de alimentación que se encuentre gastado o en malas condiciones. Evite usarlo si muestra grietas o daños por desgaste en el cable mismo o en el enchufe o conector.
-  4) **NO USE ADAPTADORES O CABLES DE EXTENSION.**
-  5) Cuando instale el acondicionador de aire en una ventana, asegúrese que la ventana es suficientemente fuerte para sostener el peso del acondicionador de aire. También verifique que el aparato queda seguro y correctamente instalado para evitar que pueda caerse. Según su ventana, puede ser necesario instalar apoyos o soportes adicionales para que el aparato quede apropiadamente instalado.
- 6) No obstruya la corriente de aire del acondicionador dentro de la habitación, o fuera de ella, con persianas, cortinas, cubiertas de protección, arbustos o matas.

- 7) Tenga cuidado con los bordes agudos de las aletas en el frente y en respaldo de la unidad, que pueden cortarle y causarle lesiones graves.
- 8) Tenga cuidado cuando levanta el acondicionador de aire para instalarlo o remover la unidad. Siempre realice esta operación con dos personas por lo menos.
- 9) Siempre recuerde desconectar el acondicionador de aire antes de darle servicio o moverlo.

Indice

	PAGINA
Un Mensaje De Haier	54
Registro Del Producto	54
Precauciones De Seguridad	55-56
Advertencias	58
La Seguridad en los Aparatos Eléctricos	58
Sugerencias	59
Guía de Ahorro de Energía	59
Características	60-61
Guía De Operación	62-68
Sonidos De Operación Normal	62
Instrucciones De Operación	62-68
Instalaciones	69-77
Piezas Que Se Suministran	70
Herramientas	71
Procedimiento De Instalación	72-77
Guía para el Cuidado y Limpieza del Aparato	78-79
Resolución De Problemas	79-80
Garantía Limitada	81

ADVERTENCIAS



El observar cuidadosamente los mensajes de seguridad es muy importante. Estos mensajes pueden evitar que usted pueda sufrir lesiones graves y aún de muerte. Los símbolos de **Advertencia** le dan la alerta, le urgen a que sea cuidadoso y siempre significan **Peligro**. Siga siempre estas instrucciones para obrar con seguridad y reducir los riesgos de lesiones o muerte. Las señales de **Advertencia** o **Peligro** preceden los mensajes de seguridad.

La Seguridad Con Los Aparatos Eléctricos



Conexión a Tierra: Este acondicionador de aire debe contar con conexión a tierra. La conexión a tierra reduce el riesgo de choque eléctrico proporcionando un cable de escape para la corriente eléctrica. El cable de alimentación de corriente cuenta con un cable de conexión a tierra y con un enchufe que permite esta conexión. Conecte el enchufe en un receptáculo o tomacorriente apropiadamente instalado y con conexión a tierra.

ADVERTENCIA: El uso inapropiado del enchufe con conexión a tierra puede crear el riesgo de choque eléctrico. Llame a un electricista calificado si usted no entiende las instrucciones de conexión a tierra o si usted no está seguro de que el acondicionador de aire ha quedado conectado a tierra en forma apropiada. Si el receptáculo de pared no está conectado a tierra, por favor llame a un electricista para que lo reemplace por uno debidamente conectado a tierra.

De ninguna manera, y bajo ninguna circunstancia, corte o remueva del enchufe la tercera clavija (de conexión a tierra).

Enchufe de Adaptación: Encarecidamente le aconsejamos que no use enchufes o accesorios de adaptación.

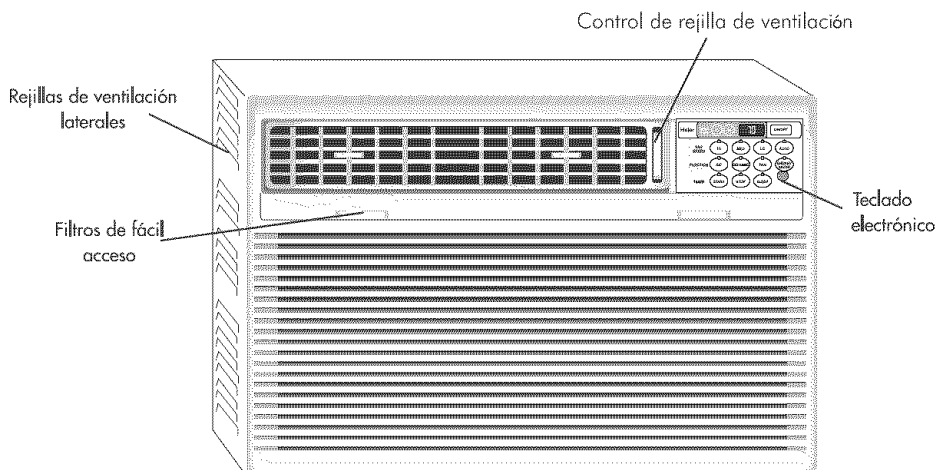
Sugerencias

- Los acondicionadores de aire están diseñados únicamente para ser usados en ventanas de dos hojas, tipo guillotina, o a través de la pared. (Según el modelo del aparato)
- Al instalar la unidad, asegúrese de que el acondicionador de aire queda inclinado en un $1/4^\circ$ hacia el exterior de manera que el agua pueda escurrir hacia el exterior de la casa.
- Instale la unidad en el costado norte de la edificación que es normalmente el lado sombreado. En esta forma mejorará la operación de la unidad.
- ▲ La ventana debe ser suficientemente fuerte para la instalación del aparato. Puede ser necesario usar soportes o apoyos complementarios según la configuración de su ventana. (Los soportes o apoyos complementarios no viene incluidos en todos los modelos.)
- Mida la ventana antes de proceder con la instalación. Si la ventana es demasiado grande para la unidad, puede ser necesario que un profesional realice la instalación.
- ▲ Use corriente eléctrica de los voltajes y amperajes requeridos para que la unidad funcione en forma eficiente.
- ▲ Llame únicamente a electricistas certificados para cualquier modificación que se necesaria en sus receptáculos o tomacorrientes eléctricos.

Guía De Ahorro De Energía

- Al instalar el acondicionador de aire, asegúrese de sellar toda área que presente la posibilidad de filtración de aire.
- La corriente de aire del acondicionador no debe bloquearse dentro de la habitación con cortinas, persianas o muebles, ni en el exterior con arbustos o matas.
- No use innecesariamente luces eléctricas o aparatos que generen calor.
- Mantenga el escape de aire cerrado cuando el acondicionador de aire esté en su función de enfriamiento.
- Mantenga las persianas o cortinas cerradas en todas las demás ventanas.
- Si está cocinando, use un ventilador de extracción en la cocina para remover el exceso de calor producido.
- Use siempre un acondicionador de aire de capacidad (BTU) apropiada para enfriar la habitación y obtener su eficiencia máxima.

Características



1. Termostato

Esta función le permite ajustar la temperatura del aire. Entre más alto sea el ajuste más fría será la temperatura del aire. Esto le permite ajustar la temperatura al nivel de comodidad deseado.

Puede ajustar la temperatura entre 18° y 30°C.

2. Velocidad del Ventilador

Puede controlar la velocidad del ventilador al igual que la velocidad del acondicionador de aire.

Tiene la opción de 3 niveles de velocidad del acondicionador de aire. La velocidad "LO" circulará el aire a la velocidad más baja, "MED" a velocidad media y "HIGH" a la velocidad máxima.

Tiene la opción de 2 niveles de velocidad del ventilador para ajustarlo al nivel de comodidad deseado, "MED" y "LO". La función "Auto Fan" permite que la temperatura de la habitación ajuste la velocidad del ventilador. Cuando se fija la función de la temperatura, la velocidad del ventilador se determina según la diferencia entre la temperatura del conjunto y la temperatura dentro del cuarto. Cuando se alcance la temperatura ajustada, el ventilador funcionará en el ajuste "LO" (Bajo).

3. Función

Su aire acondicionado tiene 3 funciones.

a) Acondicionador de aire.

En esta función el acondicionador de aire operará el compresor y la velocidad ajustada del ventilador para proveerle con un aire frío para su comodidad.

b) Deshumidificador.

Esta función le permite a su acondicionador de aire operar como un deshumidificador. Eliminará la humedad excesiva del aire para mantener su habitación a un nivel de aire cómodo. Puede usar solo esta función en caso que no desee usar al acondicionador de aire.

c) Ventilador Solamente
Solo puede utilizar el ventilador en los días no muy calientes. El ventilador puede funcionar en 2 velocidades según lo desee. ("MED" ventilador y "LO" ventilador).

4. Ahorrador de Energía

Cuando el ventilador esté en "ON" (Encendido), éste se apagará 3 minutos después de que el compresor se apague. Esta función no solo le ahorrará costos eléctricos y de energía sino que también eliminará el ruido innecesario del motor del ventilador en marcha. En la posición de "OFF" (Apagado) el ventilador seguirá funcionando al nivel ajustado.

5. Temporizador

Su acondicionador de aire puede ser ajustado para encenderse o apagarse según lo desee. Puede programarse hasta 12 horas por adelantado.

6. Rejilla de ventilación

La rejilla permite que el aire recircule dentro del acondicionador, que el aire fresco se dirija dentro de la habitación y que el aire viciado y gases se despidan al exterior.

7. Flujo de Aire en 4 Direcciones

Estas rejillas de ventilación direccionales le permiten controlar la dirección del flujo de aire en la dirección requerida. El flujo de aire puede dirigirse hacia arriba, abajo, a la derecha o a la izquierda.

8. Bastidor Deslizable

Su acondicionador de aire es mucho más versátil con esta función. Usted tiene la opción de instalar la unidad en una ventana o en la pared.

9. Equipo de Instalación en la Pared

Le permite instalar el acondicionador de aire en una ventana de guillotina. Puede que necesite soportes extra dependiendo de su ventana.

10. Control Remoto

Este práctico control remoto inalámbrico le permite operar su acondicionador de aire desde una distancia. No necesita levantarse para cambiar los ajustes.

11. Panel de Control Electrónico con Pantalla de Cristal Líquido

La pantalla de cristal líquido de 4 funciones muestra la Temperatura de la Habitación, el Ajuste de Temperatura, el Ajuste del Temporizador y el Tiempo Restante para Parar / Encender la unidad. El Panel de Control Electrónico le permite ajustar la temperatura a la Temperatura Exacta que desee.

12. Apagado Automático

Cuando está activado, esta función automáticamente ajusta un temporizador de apagado durante 8 horas. La unidad se apagará dentro de 8 horas.

Guía de Operación

Sonidos de Operación Normal

Los siguientes sonidos normalmente se oyen durante la operación de un acondicionador de aire:

- Sonido del movimiento de aire según la velocidad generada por el ventilador.
- Sonidos de agua. Este es un sonido normal en el acondicionador de aire, a medida que actúa también como extractor de humedad. Por lo tanto, se oye el ruido de gotas de agua cuando escurren sobre el condensador.
- A medida que el refrigerante fluye a través de la tubería sellada, se puede oír el ruido de este flujo.
- Ruidos o vibraciones pueden en ocasiones oírse debido a una instalación defectuosa en la pared o en la ventana.
- Un sonido de alta frecuencia puede oírse como producto del funcionamiento de compresor.

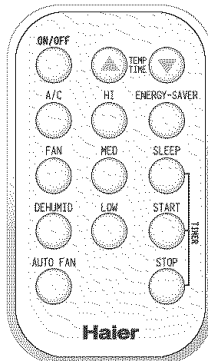
Instrucciones de Operación

A continuación se incluyen las instrucciones de funcionamiento de su acondicionador de aire electrónico:

Después de instalar su aire acondicionado, conéctelo a un tomacorriente eléctrico correcto en la pared. Mantenga la rejilla de ventilación cerrada. Ahora ajuste el acondicionador de aire al nivel deseado. Este práctico control remoto inalámbrico le permite operar su acondicionador de aire sin tener que levantarse e ir hasta la unidad. Esta función le permite cambiar los ajustes y encender o apagar la unidad desde el control remoto. Este teclado de control funciona de la misma manera que el teclado de control en el acondicionador de aire. (Vea fig. #1)

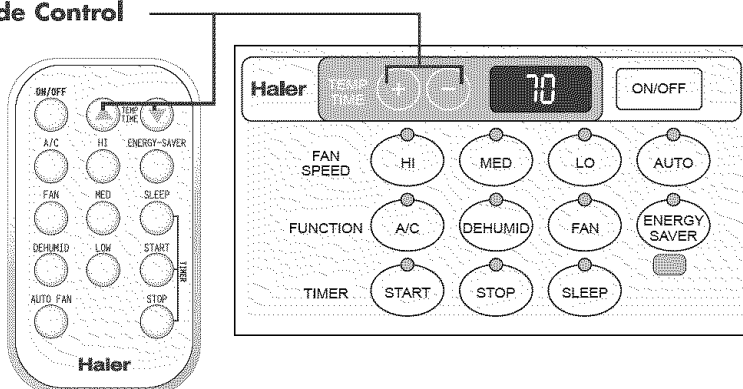
fig. #1

Control Remoto



Después que conecte la unidad, ésta efectuará una verificación automática. En la pantalla líquida aparecerá un "88". Todas las luces en la pantalla se encenderán durante 3 segundos. Si alguna de las luces de la pantalla no se enciende, puede que necesite reparar la unidad. Después de la verificación automática de 3 segundos, la unidad pasará a la modalidad de espera. Ahora todas las luces estarán apagadas y tendrá que encenderlo presionando la tecla de "On/Off" (Encendido/Apagado). Después de presionar el clave de On/Off, la unidad comienza a trabajar e incorpora el estatus del "FAN ONLY" con una configuración baja. Tendrá que presionar la tecla (+) o (-) en el ajuste "Temp/Time" (Temperatura/Hora) para ajustar la temperatura según lo desee. Usted puede escoger entre temperaturas de 61°F (16°C) y 86°F (30°C). Una vez que ajuste la temperatura, puede aumentarla o disminuirla presionando las teclas de (+) o (-). La configuración de la temperatura puede ser ajustada solamente cuando la unidad es que se refresca o dehumidifying (Vea fig. # 2)

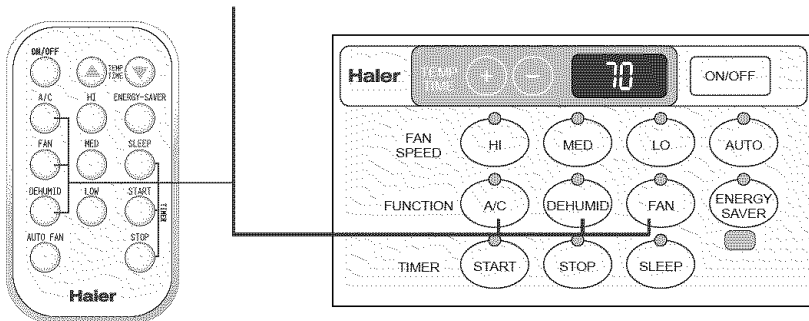
fig. # 2

Panel de Control

Habiendo ajustado la temperatura, ahora ajustará la función del aire acondicionado. Si quiere la habitación fresca presione la función "A/C" (aire acondicionado). Si solo necesita eliminar la humedad presione la función "Dehumid" (deshumidificación). Si solo necesita usar el ventilador, presione la función "Fan" (ventilador). (Vea fig. #3)

fig. # 3

Panel de Control

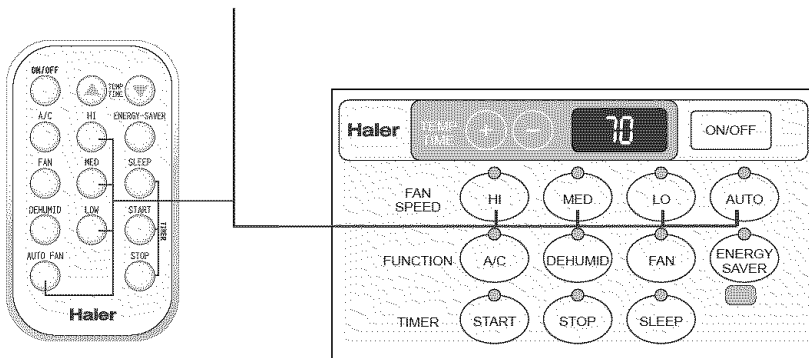


Una vez que elija la modalidad de función, tendrá que ajustar la velocidad del ventilador. Si elige la modalidad "A/C" puede operar el ventilador en una de las tres velocidades "Hi" (alta), "Med" (media), "Lo" (baja) o en la velocidad "AUTO" (automática). En la velocidad automática el ventilador comenzará en la velocidad y después se ajustará a la velocidad baja como la temperatura de la habitación.

Una vez que la habitación alcance la temperatura ajustada, el ajuste automático del ventilador hará funcionar al ventilador en la velocidad baja. (Vea fig. # 4)

fig. # 4

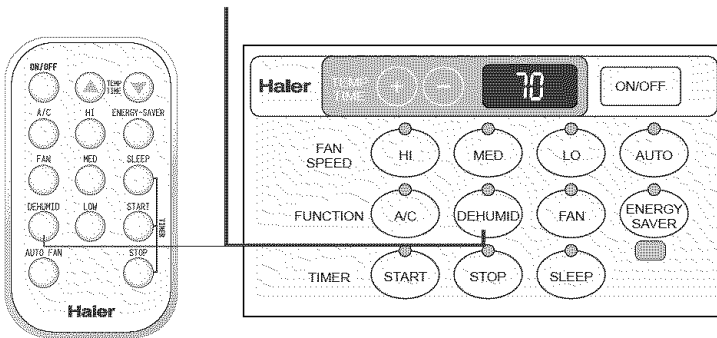
Panel de Control



Si decide usar la función de Deshumidificación. Esta función eliminará el exceso de humedad del aire en los días excesivamente húmedos. Una vez que presione esta modalidad, el compresor funcionará continuamente y el ventilador funcionará a la velocidad seleccionada. Después que se alcance la temperatura ajustada, el compresor se encenderá durante ciclos de 10 minutos y se apagará durante ciclos de 6 minutos. El ventilador funcionará a velocidad baja en este ajuste. Si la temperatura disminuye más de lo ajustado, luego el compresor se apagará y el ventilador continuará funcionando a velocidad baja. El proceso de deshumidificación toma lugar entre la temperatura ajustada y 3°F arriba de la temperatura ajustada. (Vea fig. # 5)

fig. # 5

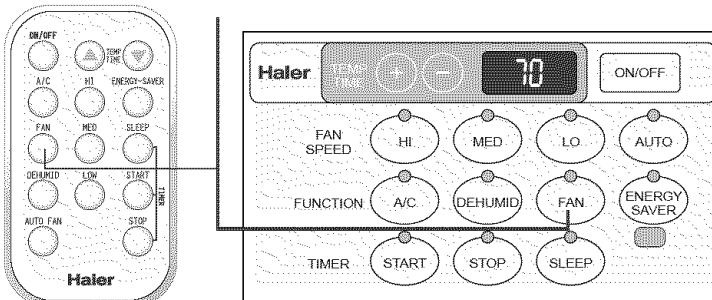
Panel de Control



En días frescos puede usar la función "Fan Only" (ventilador solamente). En esta función el ventilador funciona solo en una de 2 velocidades, Media o Baja. El ventilador no funcionará a la velocidad alta. (Vea fig. # 6)

fig. # 6

Panel de Control



La modalidad del temporizador se usa para encender o apagar la unidad por adelantado. Puede programarlo hasta 12 horas por adelantado. Puede usar el temporizador en 3 funciones, "A/C" (aire acondicionado), "Dehumid" (deshumidificación) o "Fan" (ventilador) solamente.

- Inicialización del Temporizador. (Vea fig. # 7)

La unidad debe estar encendida para ajustar el temporizador. La unidad se apagará automáticamente dentro de 5 segundos después de aceptar los ajustes. Use esta modalidad para preajustar el tiempo de encendido de la unidad 12 horas por adelantado.

a) Presione "Start" (inicializar), en la pantalla de cristal líquido aparecerá "XX" (actual tiempo, vez tiempo). Si la potencia está conectada para la primera vez, el indicador de cristal líquido aparecerá "01".

b) Ajuste el número deseado de horas presionando la tecla (+) en los botones "Temp/Time" (temperatura/horario), uno por cada hora. Si se pasó del tiempo deseado use la tecla (-) para disminuir la selección.

- Interruptor del Temporizador (Vea fig. # 7)

La unidad debe estar encendida para apagar el temporizador. Use esta función para preajustar el tiempo deseado para el apagado de la unidad.

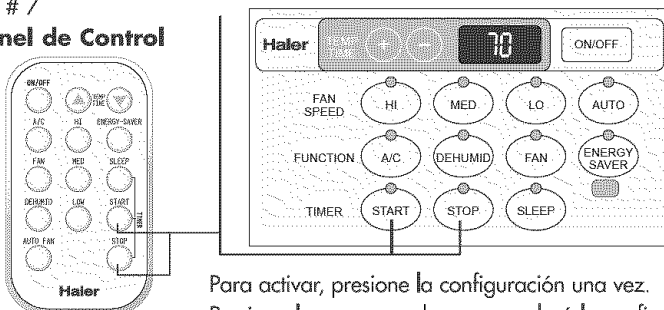
a) Presione "Stop" (parar), en la pantalla de cristal líquido aparecerá "XX" (actual tiempo, vez tiempo). Si la potencia está conectada para la primera vez, el indicador de cristal líquido aparecerá "01".

b) Ajuste el número deseado presionando la tecla (+) en los botones "Temp/Time" (temperatura/horario). Uno por cada hora. Si se pasó del tiempo deseado use la tecla (-) para bajar la selección.

Cuando use el temporizador la unidad usará/revertirá los últimos ajustes de aire acondicionado y ventilador cuando se active. El temporizador debe reajustarse cada vez que quiera usarlo.

fig. # 7

Panel de Control

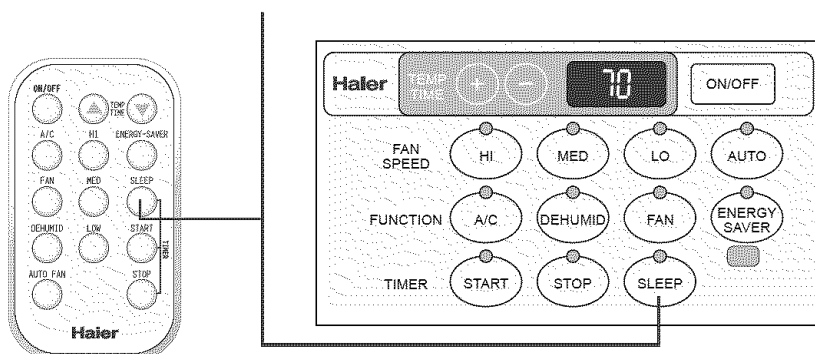


Para activar, presione la configuración una vez. Presionarla una segunda vez cancelará la configuración.

La función "Sleep" (apagado automático) le permite preajustar la unidad para que se apague dentro de 8 horas. Esta función solo puede utilizarse con la función de aire acondicionado. Después de preajustar la temperatura a cierto grado, la temperatura aumenta por 2°F en la primera hora y otros 2°F en la segunda hora y luego permanece constante durante las próximas 6 horas. Ya que su cuerpo no despierta mucho calor durante la noche y ya que las noches generalmente se refrescan un poco, esta función le permite dormir cómodamente toda la noche sin tener que levantarse a cambiar los ajustes de temperatura. (Vea la fig. # 8)

fig. # 8

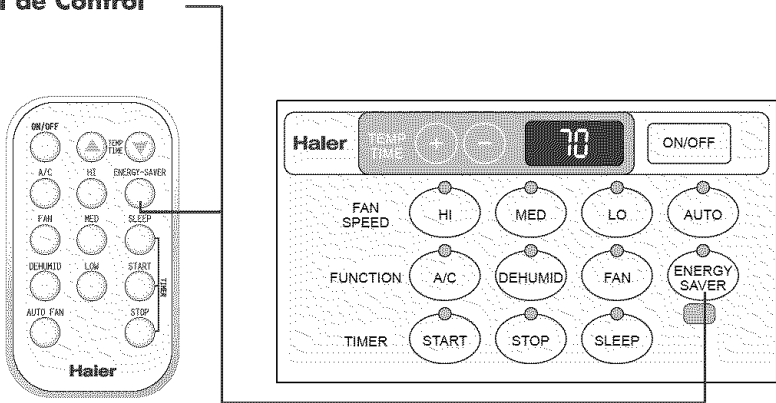
Panel de Control



Ahorrador de Energía: Al presionar esta tecla la unidad se activará a la modalidad de ahorrador de energía. En esta función el ventilador se apaga después de 3 minutos cuando el compresor se apaga. Al desactivarlo, el ventilador sigue funcionando a la velocidad ajustada aún cuando el compresor se apaga (la función está solamente disponible en modo de A/C). (Vea fig. # 9)

fig. # 9

Panel de Control









Cuando la unidad está en la modalidad "On" (encendido) la pantalla de cristal líquido mostrará la temperatura de la habitación. Presione la tecla (+) para obtener la temperatura ajustada. Cuando la unidad está en la función "Timer Stop" (interruptor del temporizador), la pantalla de cristal líquido mostrará el tiempo que falta para que la unidad se apague. Para cancelar el Interruptor del Temporizador presione la tecla "OFF" (apagado).

Instalaciones

Antes de instalar el acondicionador de aire, cerciéndose de que:

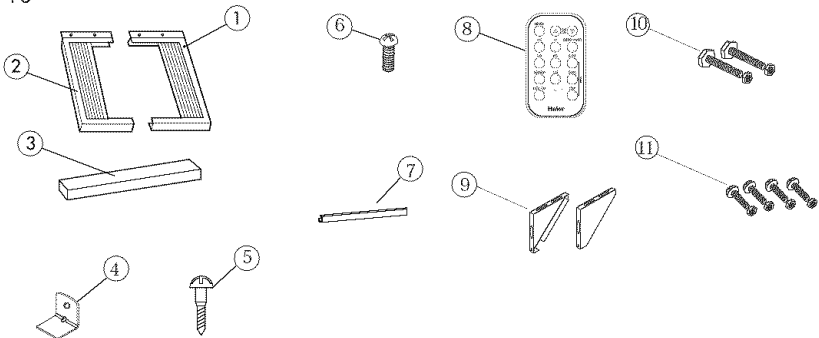
- 1) La unidad queda libre de obstrucciones, tanto en el interior de la habitación como afuera, tales como cortinas, muebles, plantas, arbustos, árboles y otras estructuras como construcciones, garajes, etc. El acondicionador de aire debe tener una corriente de aire, libre de obstrucciones, que pase a través del condensador para remover el calor.
- 2) La ventana es suficientemente fuerte para resistir el peso del acondicionador de aire. Según la configuración de su ventana, puede ser necesario instalar apoyos o soportes complementarios. (Estos apoyos o soportes no disponible en todos los modelos)
- 3) El umbral o repisa de la ventana y las canaletas laterales son suficientemente fuertes para resistir el peso del acondicionador de aire.
- 4) La pared es suficientemente fuerte para sostener la unidad. Según las condiciones de la pared, puede ser necesario instalar apoyos o soportes complementarios. (Estos apoyos o soportes complementarios no disponible en todos los modelos)
- 5) Hay un suministro adecuado de corriente eléctrica de las especificaciones requeridas cerca del acondicionador de aire.

-  6) NO use adaptadores de enchufe.
-  7) NO use cables de extensión.
-  8) NO corte o remueva la clavija de conexión de tierra del enchufe.
-  9) NO modifique en ninguna forma el enchufe o el receptáculo eléctrico de la pared. Si el enchufe no concuerda con el receptáculo eléctrico, pide a un electricista que haga los cambios necesarios.
-  10) NO conecte la unidad a la corriente eléctrica antes de instalarla
-  11) NO use el cable de alimentación si se nota gastado o dañado en alguna forma. Evite usarlo si tiene grietas o muestra daños de desgaste a lo largo del cable, en el enchufe o en la conexión.

Piezas que se Suministran (Vea fig. # 10)

No.	Descripción de la Pieza	Modelo
		HWR18VC3 HWR24VC3
1	Ensamble de la persiana de montaje derecha	1
2	Ensamble de la persiana de montaje izquierda	1
3	Sello de espuma de caucho de la hoja de la ventana	1
4	Ayuda del bloqueo de la ventana	1
5	Tornillos para madera 31/32"	10
6	Tornillos de 13/32"	10
7	Riel de montaje superior	1
8	Mando a distancia y batería	1
9	Apoyos de la instalación	2
10	2 1/2" perno y tuerca de fijación	2
11	19/32" Tornillo y tuerca de fijación	4

fig. # 10



Herramientas

Para la instalación del acondicionador de aire necesitará las siguientes herramientas.

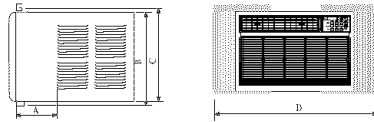
- Tijeras
- Destornillador Philips
- Destornillador Estándar
- Alicates
- Llave de Tuercas
- Taladro y Juego de Brocas
- Cinta para Medir
- Guantes
- Nivel
- Casquillos

Instalación del Acondicionar en la ventana

Requerimientos para realizar la instalación

El Acondicionador de aire está diseñado para la instalación en tipos ventanas de doble marco o simple. Cada unidad viene con un kit de instalación que consta de soportes ajustables para ocupar completamente los espacios entre los laterales de la unidad y el borde de la ventana.

El cuadro a continuación muestra las dimensiones de los Acondicionadores con o sin el kit de instalación. Mida la amplitud de su ventana y compare con los valores del cuadro para asegurarse de estar entre la máxima y mínima amplitud de ventana requerida.



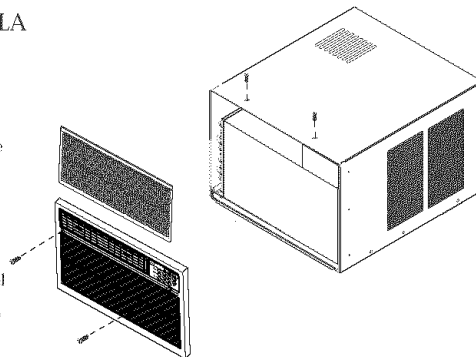
HWR18VC3 HWR24VC3

modelo	HWR18VC3	HWR24VC3
Dimensión		
A (pulgadas)		$11\frac{2}{5}$
B (pulgadas)		$18\frac{3}{5}$
C (pulgadas)		$18\frac{3}{5}$
D (pulgadas) Max		$42\frac{5}{16}$
D (pulgadas) Min		$30\frac{1}{8}$
Altura		$18\frac{21}{32}$
Amplitud		$26\frac{9}{16}$
Profundidad		$24\frac{13}{32}$

MODELOS HWR18VC3 HWR24VC3

1 PREPARACION DE LA UNIDAD PARA LA INSTALACION

Desempaque la unidad al lado del lugar de instalación.
 Deslice hacia fuera el filtro tirando de las trabas a los costados derecho e izquierdo de la máscara principal.
 Retire los dos tornillos del frente.
 Utilice un pequeño cuchillo para separar la caja externa del frente.
 Retire los dos tornillos en la parte superior de la caja externa.
 Utilizando la manija retire despacio el chasis hacia fuera.
 Nota: Cubra el cuchillo o elemento filoso a utilizar con cinta de manera de evitar daños en el acabado.

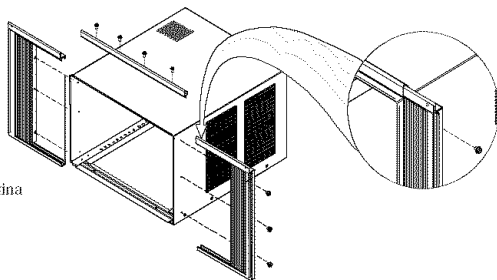


Precaución: nunca exponga la rejilla o el frente plástico a temperaturas muy elevadas.

2 ENSAMBLE DE LAS CORTINAS Y EL RAIL SUPERIOR

Instale el rail utilizando cuatro tornillos de 13/32".

Deslice la cortina izquierda por los rieles superior e inferior hasta el final. Repita la operación con la cortina del lado derecho. Ajuste las cortinas a los laterales utilizando seis tornillos de 13/32".



3 PREPARE LA VENTANA PARA LA INSTALACION

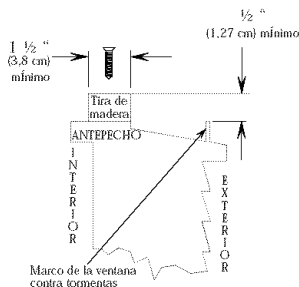
Inspeccione marco, umbral y la ventana para asegurarse de que esté en condiciones de soportar el peso de la unidad.

Mida el ancho entre las molduras de la ventana para corroborar que la unidad pueda ser instalada de inmediato en la ventana. Los modelos de instalación inmediata están diseñados para ventanas de ancho específico (ver detalle en pagina 72)

El kit de instalación que viene con la unidad está diseñado para el montaje en las ventanas de doble hoja, sin contraventana. Para la instalación en armazones de ventana que poseen contraventana modifique el umbral adheriendo tablas de madera (no incluido) en el interior y al exterior del umbral.

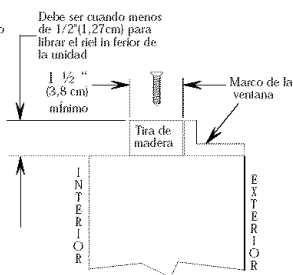
Instalación en estructuras con contraventana

Si el montaje de la ventana no permite el espacio adecuado por debajo del umbral (1/2" requerido), retire el marco de la ventana o cree espacio agregando una tabla de madera (por lo menos de 1 1/2" de ancho) a lo largo de todo el ancho del umbral. Ajuste la tabla de madera al umbral por lo menos con tres tornillos (no vienen con el kit) esto proporcionará una superficie ideal para colocar la unidad.



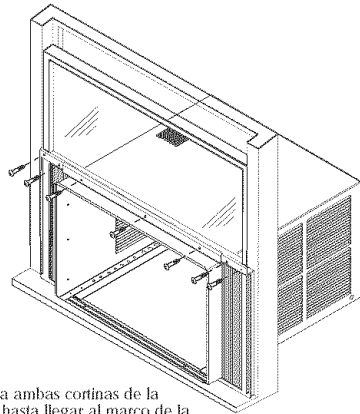
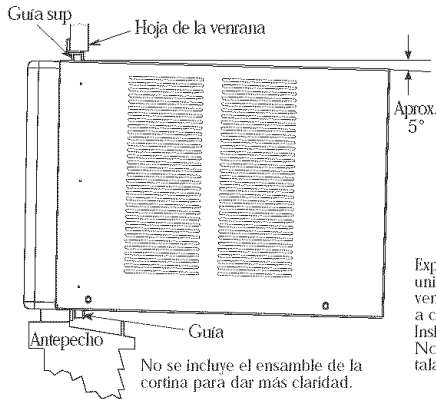
Instalación móvil para su casa

Agregue una tabla de madera (por lo menos 1 1/2" de ancho) a lo largo del umbral. El espesor de la madera debe coincidir con la altura del borde del frente de la estructura de la ventana. Ajuste la tabla de madera al umbral por lo menos con tres tornillos (no vienen con el kit) esto proporcionará una superficie ideal para colocar la unidad.



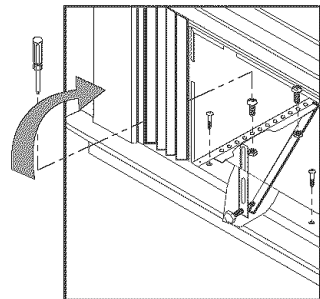
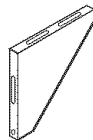
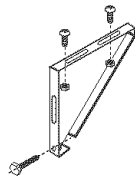
4 INSTALACION DE LA CAJA EXTERIOR EN LA VENTANA

Coloque la caja en la ventana: baje la hoja de la ventana hasta que apoye detrás del primer reborde del rail. El rail inferior debe reposar detrás del umbral de la ventana.



Expanda ambas cortinas de la unidad hasta llegar al marco de la ventana. Instale cuatro tornillos. Dos a cada lado derecho e izquierdo de la unidad. Instale los tres tornillos del ensamble del rail. Nota: Para hacer que los tornillos sean más fácil de colocar taladre un orificio en el marco.

Utilice dos de los tornillos para (31/32") sujetar la caja a la hoja de la ventana. Instale los soportes derecho e izquierdo como se muestra en la figura. Coloque los tornillos (2 1/2" de cabeza chata y tuerca) a el soporte y ajuste lo necesario, luego utilice cuatro tornillos (19/32") para ajustar los soportes a la caja.

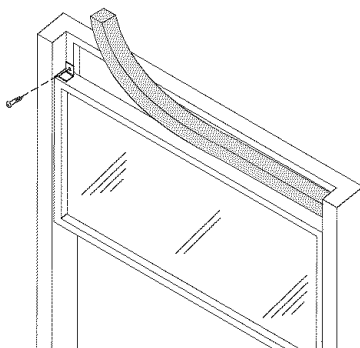


5 INSTALE LOS SOPORTES Y JUNTAS

Instale los soportes en la parte superior interna de la ventana con uno de los tornillos para evitar que la ventana se pueda levantar desde afuera. Para ventanas de marco de madera dura o metal taladre los orificios para colocar los tornillos.

Importante: Sea cuidadoso de no taladrar un orificio muy profundo. Coloque un pedazo de cinta a la broca como indicador de la profundidad del orificio. Cuidado de no dañar el funcionamiento de la ventana.

Corte la tira para la junta de la medida del ancho de la ventana. Coloque la tira en la junta entre el vidrio de la hoja externa y el borde superior de la hoja interna. Esto previene que filtre corriente de aire.

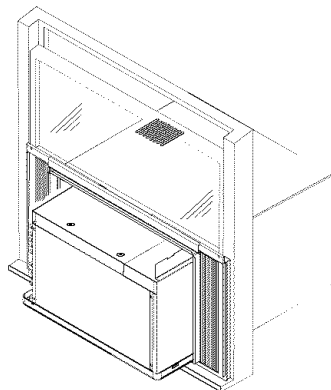


6 COLOQUE EL CHASIS EN LA CAJA EXTERNA

Con ayuda de alguien coloque el chasis dentro de la caja externa de la unidad. Coloque en su lugar el panel delantero y rejilla (no olvide de colocar los dos tornillos antes de colocar la rejilla). Cuando este listo coloque los dos tornillos en la parte superior de la caja, retirados en el paso 1.

IMPORTANTE:

Ya que la hoja de la ventana ayuda a la unidad a mantenerse en su lugar, permita que la misma haga contacto con la caja externa de la unidad antes de colocar el chasis.



Instalaciones de Pared: de chasis deslizante

Nota: Retire los dos tornillos en la parte superior del acondicionador que sostienen el chasis a la caja externa de la unidad. Una vez que los quite, no tendrá que instalarlos de nuevo. Para asegurar que el acondicionador de aire queda apropiadamente instalado en la pared, se recomienda que la instalación sea hecha por un técnico certificado con experiencia en instalaciones a través de la pared.

- 1) Usando madera de 1" (2,54 cm) por lo menos de espesor, construya un marco de las dimensiones del gabinete de la unidad que ha comprado.
- 2) Mida las dimensiones exteriores del ancho y altura del marco para determinar las dimensiones necesarias para la abertura en la pared. La profundidad del marco dependerá del grosor de la pared. El marco terminado deberá ahora colocarse dentro de la pared. El marco deberá quedar cuadrado y nivelado. Recuerde que el marco debe fijarse en forma segura por medio de puntillas a los montantes de la pared. (Vea fig. # 21)

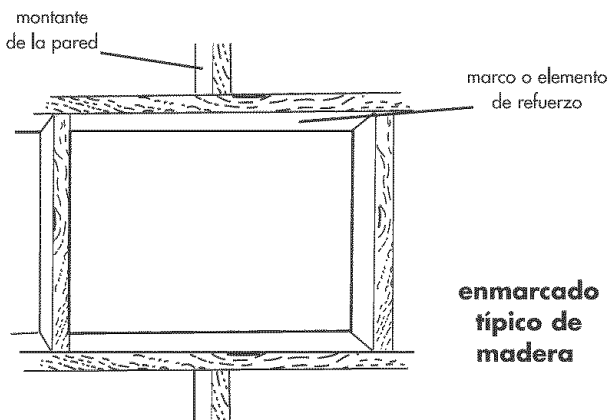


fig. # 21

**enmarcado
típico de
madera**

- 3) Ahora, para instalar la unidad, introduzca el gabinete en la abertura de la pared. (Pero, remueva antes el chasis siguiendo los pasos 1 a 6 descritos en la sección Instalaciones de Ventana: Chasis Deslizante) Verifique que el gabinete queda por lo menos 1/2" (1, 2 cm) dentro de la habitación. También verifique que las persianas laterales no quedan bloqueadas. Esto, para que exista circulación de aire apropiada a través y alrededor del compresor. (Vea fig. # 22)

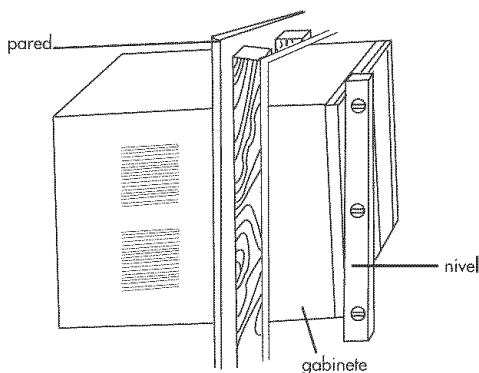


fig. # 22

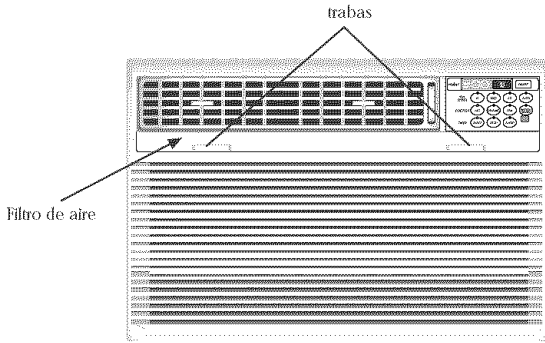
**inclinación
típica del
gabinete
hacia afuera**

- 4) El gabinete debe inclinarse hacia afuera 1/4" (6mm) de manera que haya drenaje hacia afuera para la condensación de la humedad que se extrae del aire.
- 5) Instale aislación en forma apropiada en cualquier rendija que pueda quedar entre el gabinete y el marco.
- 6) Utilice las perforaciones para tornillos en los costados de la unidad, que han sido diseñados para el juego de montaje, y las perforaciones en el juego de montaje del riel superior, fije el gabinete al marco de madera, usando los tornillos de 31/32 pulgada.
- 7) Instale el tubo o el codo del dren en el bastidor (no en todos los modelos). Ajuste la dirección del tubo del dren (codo del dren) para hacer que está en línea con el agujero en la parte posterior de la unidad. Inserte el tubo del dren (codo del dren) en el agujero y tuerza. (Vea fig. # 15)
- 8) Con la ayuda de otra persona levante y ponga el chasis del acondicionador de aire en el gabinete.
- 9) Coloque el tornillo de seguridad donde corresponde y presione la rejilla en su lugar.
- 10) Si durante el proceso tuvo que remover el filtro, vuelva a colocarlo.
- 11) Atornille los dos tornillos laterales que sostienen la parrilla a la cubierta.
- 12) Utilice las bases de la pared externa en caso de necesidad.



PRECAUCION: Si una vez terminadas estas operaciones la unidad parece quedar floja o si usted duda que la unidad ha quedado apropiadamente instalada, póngase en contacto con un instalador calificado.

Guía para el Cuidado y Limpieza del Aparato



*Siempre desenchufe el Acondicionador de Aire antes de la limpieza.

*Los filtros de aire deben limpiarse por lo menos una vez al mes para optimizar el funcionamiento de la unidad. El filtro puede retirarse destrabando las presillas a ambos lados del mismo. El filtro debe ser lavado o aspirado. Quite el exceso de agua del mismo sacudiendo suavemente. Esto removerá las partículas atrapadas en el mismo. Luego de la limpieza coloque nuevamente el filtro. NO opere la unidad si el filtro no estuviese en su lugar.

*Para limpiar el panel frontal del Acondicionador no utilice químicos abrasivos, amoníacos, cloro, detergentes concentrados, solventes o esponjitas de metal. Algunos de estos productos pueden dañar o decolorar su Acondicionador.

*Siempre utilice un paño suave humedecido con agua o solución de agua y jabón para repasar el frente de la unidad. Seque con un paño seco.

*Si quisiera retirar el Acondicionador de aire (por fin de temporada) retire el mismo siguiendo los pasos de instalación invertidos. Luego guarde en la caja original. Si usted prefiere no sacar el Acondicionador de la ventana entonces cubra el exterior del mismo con un cobertor o funda.

*Antes de guardar el acondicionador asegúrese de que no haya quedado ningún rastro de agua ya que puede causar daños en las conexiones eléctricas.

Resolución de Problemas

Si el acondicionador de aire no funciona:

- Verifique que la unidad está enchufada. El enchufe puede estar suelto.
- Verifique si la unidad está en modalidad "Off" - apagada.

El aire que sale del acondicionador de aire está caliente.

- La graduación A/C puede estar baja y es necesario aumentarla.

Se forma hielo en el serpentín de enfriamiento.

- La temperatura exterior está demasiado baja. Ponga a funcionar únicamente el ventilador para derretir el hielo.
- Baje la graduación de temperatura. La graduación de temperatura se ha puesto a un nivel demasiado frío.
- La capacidad de la unidad (BTU) puede ser demasiado alta para las condiciones de la habitación.

El acondicionador de aire funciona pero la habitación no se enfría.

- Puede haber artefactos en la habitación que producen calor. Use un ventilador de extracción para remover el exceso de calor.
- El escape de aire puede estar abierto. Este escape debe cerrarse para obtener el enfriamiento óptimo.
- Cambie la dirección del flujo de aire y remueva obstáculos que estén en su trayectoria.
- Todas las puertas y ventanas deben estar cerradas de manera que el aire frío no se escape de la habitación.
- Los filtros de aire pueden necesitar limpieza.
- La capacidad de la unidad en BTU puede ser muy baja para las condiciones de la habitación.
- En días extremadamente cálidos y húmedos, los acondicionadores de aire pueden demorar un poco para principiar a enfriar.

El acondicionador de aire hace ruido cuando enfría:

Usted puede oír ruidos de movimiento de aire, agua, el arranque y parada del compresor y vibraciones en la ventana.

Lea la Guía de Operación, - Ruidos de Operación Normal.

(Ver pagina 62)

Hay agua en el gabinete del acondicionador de aire:

Esto es normal, pues el acondicionador de aire no solamente enfría sino que también extrae la humedad del aire. Si encuentra que hay agua escurriendo dentro de la habitación, revise la instalación de la unidad. La unidad puede requerir una reinstalación.

(Ver pagina 74)

Garantía Limitada

Esta garantía cubre todos los defectos en mano de obra o materiales para:

1. Las partes mecánicas y eléctricas que integran este producto Haier (incluyendo los costos de mano de obra), por un período de 12 meses a partir de la fecha de compra de la unidad. (En casos de uso comercial o de alquiler, la garantía es por 90 días).

2. El sistema sellado y el compresor incluido en este producto Haier están garantizados por un período de 5 años a partir de la fecha de compra de la unidad (excluyendo los costos de mano de obra después de un período inicial de 12 meses). En casos de uso comercial o de alquiler, la garantía limitada adicional del compresor es por un año y nueve meses (excluyendo los costos de mano de obra después de un período inicial de 90 días).

Usted debe guardar y deberá presentar su recibo original de compra como prueba de la fecha de adquisición.

¿Quiénes están cubiertos?

Los compradores originales, al por menor, de este producto Haier.

¿Qué deberá hacerse?

Haier reparará o reemplazará, en su domicilio, cualquier parte eléctrica, mecánica o el compresor que resulten defectuosos en uso normal doméstico, por un período de 12 meses. Haier reparará o reemplazará (excluyendo los costos de mano de obra) el sistema sellado y el compresor (las partes únicamente) por un período adicional de 4 años.

¿Cómo puede usted obtener servicio?

1. Póngase en contacto con el Centro de Servicio Autorizado de Haier. Para obtener el nombre del Centro de Servicio

más cercano, llame a Haier al (877) 337-3639.

2. Todo servicio debe ser realizado por un Centro de Servicio de Haier, debidamente autorizado.

ESTA GARANTÍA CUBRE UNIDADES EN EL CONTINENTE DE LOS ESTADOS UNIDOS CANADA Y EN PUERTO RICO Y NO CUBRE:

- Daños por instalación inapropiada.
- Daños en transporte
- Daños debido a mal uso, abuso, accidente, alteración, falta de cuidado o mantenimiento apropiados
- Daños por trabajos realizados por personas que no sean el distribuidor o centro de servicio autorizados
- Adornos de vidrio o bombillos
- Mano de obra, servicio, transporte y costos de transporte para la remoción de partes defectuosas e instalación del reemplazo, después de transcurrido el período inicial de 12 meses

ESTA GARANTÍA LIMITADA SE DA EN LUGAR DE CUALQUIER OTRA GARANTÍA EXPRESA O IMPLÍCITA, INCLUYENDO LAS GARANTÍAS DE COMERCIALIZACIÓN Y APTITUD PARA UN PROPOSITO EN PARTICULAR.

El remedio que resulta de esta garantía es exclusivo y se otorga en lugar de todo otro remedio. Esta garantía no cubre daños incidentales o con secuenciales. Algunos estados no permiten la exclusión de daños incidentales o consecuenciales, de manera que esta limitación puede ser no aplicable en su caso. Algunos estados no permiten limitaciones en cuanto a la duración de una garantía implícita, de manera que esta limitación puede ser no aplicable en su caso. Esta garantía le otorga derechos legales específicos y usted puede tener otros derechos, los que varían de estado a estado.

IMPORTANT

Do Not Return This Product To The Store

If you have a problem with this product, please contact the "Haier Customer Satisfaction Center" at 1-877-337-3639.

DATED PROOF OF PURCHASE REQUIRED FOR WARRANTY SERVICE

IMPORTANT

Ne pas Réexpédier ce Produit au Magasin

Pour tout problème concernant ce produit, veuillez contacter le service des consommateurs 'Haier Customer Satisfaction Center' au 1-877-337-3639.

UNE PREUVE D'ACHAT DATEE EST REQUISE POUR BENEFICIER DE LA GARANTIE.

IMPORTANTE

No regrese este producto a la tienda

Si tiene algún problema con este producto, por favor contacte el "Centro de servicio al Consumidor de Haier" al 1-877-337-3639 (Válido solo en E.U.A).

NECESITA UNA PRUEBA DE COMPRA FECHADA PARA EL SERVICIO DE LA GARANTIA

**FOR SPECIFIC ELECTRICAL RATING,
REFER TO ELECTRICAL RATING NAMEPLATE ON YOUR UNIT**

**POUR TENSION ÉLECTRIQUE ET RÉGIME NOMINAL,
REPORTEZ-VOUS À LA PLAQUE SIGNALÉTIQUE DE L'APPAREIL**

**EL REGIMEN ELECTRICO ESPECIFICO DEL APARATO SE ENCUENTRA EN LA
PLACA DE REGIMEN ELECTRICO DE LA UNIDAD.**

Made in China

Haier®

What The World Comes Home To™

**Haier America
New York, NY 10018**

Printed in China