

# PETLIBRO

# USER MANUAL

## Scout Smart Camera

### Petlibro

Scout Smart Camera

PLPC001-V0002

Model: PLPC001 / PLPC001

@Libro Corp. All Rights Reserved.

Manufacturer: Shenzhen Libro Technology Co., Ltd.

FCC ID: 2A3DE-PLPC001

Address: 12/F, Tower B, GALAXY WORLD,

IC: 28987-PLPC001

Yabao Road, Longgang District, Shenzhen, China

CAN ICES-003 (B)/NMB-003(B)

Made in China



This device complies with Part 15 of the FCC Rules. Operation is subject to the following two conditions: (1) this device may not cause harmful interference, and (2) this device must accept any interference received, including interference that may cause undesired operation.

petlibro.com



Please read this manual before using your camera and keep it for future reference.

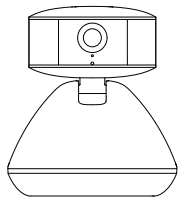


# CONTENTS

IN THE BOX	01
PRODUCT OVERVIEW	03
GETTING STARTED	05
SAFETY INSTRUCTIONS	08
SPECIFICATIONS	09
WARRANTY	09
NOTICE	10

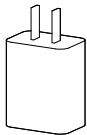
# IN THE BOX

**NOTE:** The contents listed above apply to the one-pack version. For multi-pack versions, the contents (excluding the Quick Start Guide and User Manual) will increase proportionally.



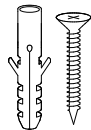
**X1**

Camera



**X1**

Power Adapter



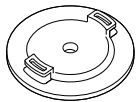
**X2**

Screws and Screw Anchors



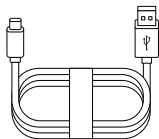
**X1**

L-Shaped Wall Mount



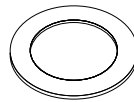
**X1**

Mounting Plate



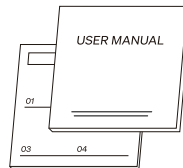
**X1**

Power Cord



**X1**

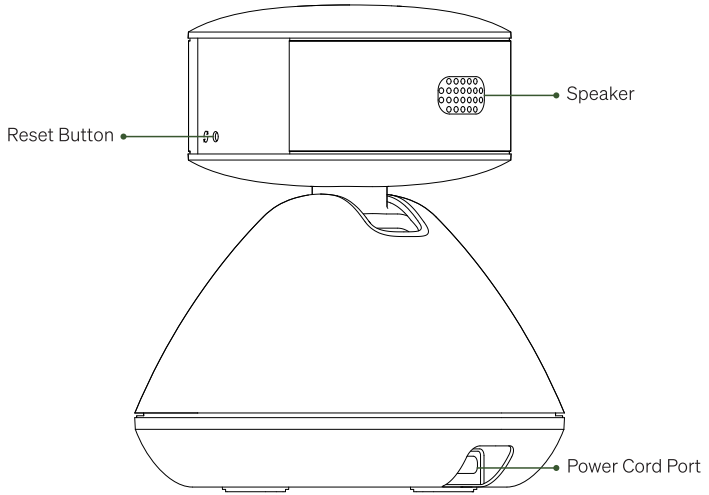
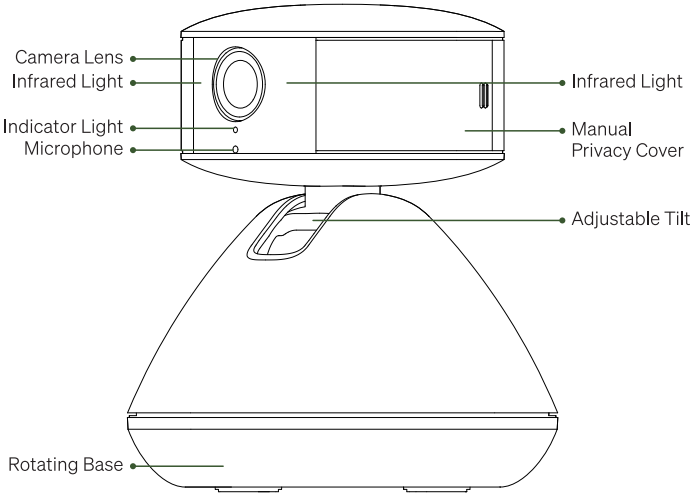
Adhesive Mount



**X1**

Quick Start Guide and User Manual

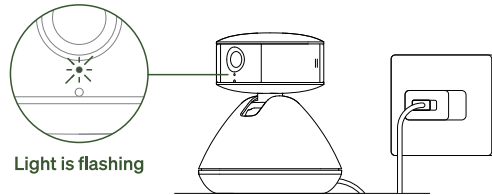
# PRODUCT OVERVIEW



# GETTING STARTED

## 01 / Power Connection

Connect your camera to a power supply and your camera will automatically start. When the white indicator light under the lens starts flashing, your camera is ready for app connection.



## 02 / Download the Petlibro App

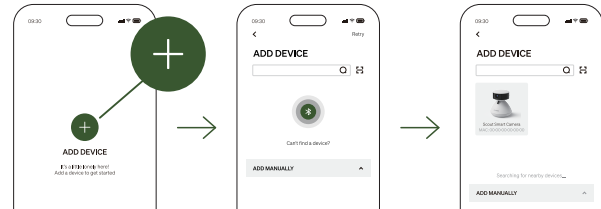
Scan the QR code with your mobile phone or search for "Petlibro" in your smartphone's app store to download and install the app.



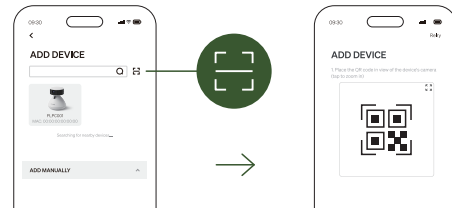
**NOTE:** The app named "Petlibro Lite" is not the correct app for your camera. If you have already downloaded and installed the Petlibro app on your phone, please ensure it is updated to the latest version.

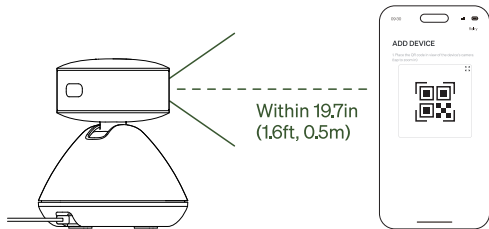
## 03 / Wi-Fi Connection

- **Option A:** Turn on your phone's Bluetooth to find the camera you want to add.



- **Option B:** Using your camera to scan the QR code in app.





### Need more support?

Scan the QR code below for the digital version of user manual and more operating tutorials, or reach out to our customer support at [support@petlibro.com](mailto:support@petlibro.com)



Written Guides



Video Tutorials

# SAFETY INSTRUCTIONS

- The operating temperature range for your camera is between  $-4^{\circ}\text{F}$  and  $113^{\circ}\text{F}$  ( $-20^{\circ}\text{C}$ – $45^{\circ}\text{C}$ ). Do not use your camera in environments with temperatures outside this specified range.
- Your camera is a precision electronic product. To ensure its normal operation, do not use your camera in environments with high humidity levels, and do not submerge in water or get the camera wet.
- Only use accessories recommended or sold by the manufacturer. Using accessories not approved by the manufacturer may result in unsafe conditions.
- The provided stickers are designed for freestanding placement on horizontal surfaces only. Do not use them on vertical surfaces as the camera may fall.
- When the camera is installed in a high place, please check that it is placed properly and not easily tipped over, so that it will not fall and cause equipment damage or accidents.

# SPECIFICATIONS

Model	PLPC001 / PLPC0001
Resolution	1920 × 1080P
Power Adapter	Input: AC 100–240V 50/60Hz Output: DC 5V 2A
Operating Temperature	-4°F–113°F / -20°C–45°C
Wireless Frequency	2.4GHz, 5GHz
Supported Systems	Android, iOS
Dimensions	3.6 × 3.6 × 4.1in / 92 × 92 × 104mm
Net Weight	0.61lb / 276g

# WARRANTY

- 24-month warranty
- For more guidance on support, you can contact our customer service team via email: [support@petlibro.com](mailto:support@petlibro.com)

# NOTICE

## FCC Statement

**This device complies with Part 15 of the FCC Rules. Operation is subject to the following two conditions:**

- this device may not cause harmful interference, and
- this device must accept any interference received, including interference that may cause undesired operation.

**NOTE:** This equipment has been tested and found to comply with the limits for a Class B digital device, pursuant to Part 15 of the FCC Rules. These limits are designed to provide reasonable protection against harmful interference in a residential installation. This equipment generates, uses and can radiate radio frequency energy and, if not installed and used in accordance with the instructions, may cause harmful interference to radio communications. However, there is no guarantee that interference will not occur in a particular installation.

If this equipment does cause harmful interference to radio or television reception, which can be determined by turning the equipment off and on, the user is encouraged to try to correct the interference by one or more of the following measures:

- Reorient or relocate the receiving antenna.
- Increase the separation between the equipment and receiver.
- Connect the equipment into an outlet on a circuit different from that to which the receiver is connected.
- Consult the dealer or an experienced radio/TV technician for help.

**This device contains licence-exempt transmitter(s)/receiver(s) that comply with Innovation, Science and Economic Development Canada's licence-exempt RSS(s). Operation is subject to the following two conditions:**

- This device may not cause interference.
- This device must accept any interference, including interference that may cause undesired operation of the device.

Changes or modifications to this unit not expressly approved by the party responsible for compliance could void the user's authority to operate the equipment.

This equipment complies with FCC's and IC's RF radiation exposure limits set forth for an uncontrolled environment. The antenna(s) used for this transmitter must be installed and operated to provide a separation distance of at least 7.8in / 20cm from all persons and must not be collocated or operating in conjunction with any other antenna or transmitter. Installers must ensure that 7.8in / 20cm separation distance will be maintained between the device (excluding its handset) and users.

## **WEEE Disposal and Recycling Information**

---

All products bearing this symbol are waste electrical and electronic equipment (WEEE as in directive 2012/19/EU) which should not be mixed with unsorted household waste. Instead, you should protect human health and the environment by handing over your waste equipment to a designated collection point for the recycling of waste electrical and electronic equipment, appointed by the government or local authorities. Correct disposal and recycling will help prevent potential negative consequences to the environment and human health. Please contact the installer or local authorities for more information about the location as well as terms and conditions of such collection points.

## **Legal Disclaimer Notice**

---

This legal disclaimer applies to purchasers and users of products manufactured by or on behalf of Shenzhen Libro Technology Co., Ltd. and its affiliates (collectively, "Petlibro").

Unless otherwise expressly indicated in writing, Petlibro's products and instructions relating thereto are subject to change without notice. Users should check for and obtain the latest relevant information and verify that such information is current and complete before placing orders for Petlibro products.

Unless Petlibro has explicitly designated an individual Petlibro product as meeting the requirements of a particular industry standard or a particular qualification, Petlibro is not responsible for any failure of an individual Petlibro product to meet the requirements of such industry standard or particular qualification.

The purchasers and users of Petlibro product are recommended to check the product label or USER MANUAL prior to using any of our products. If there are any discrepancies customers should follow the information provided in the product or packaging. You should contact the manufacturer directly for any clarification relating to the product and recommended use. Unless expressly and specifically approved in writing by Petlibro on a case-by-case basis, use of any Petlibro products in unauthorized applications might not be safe and thus is at the user's sole risk.

To the maximum extent permitted by applicable law, Petlibro disclaims (i) any and all liability for special, punitive, consequential, incidental or indirect damages or lost revenues or lost profits, and (ii) any and all implied warranties, including implied warranties of fitness for particular purpose, non-infringement and merchantability.