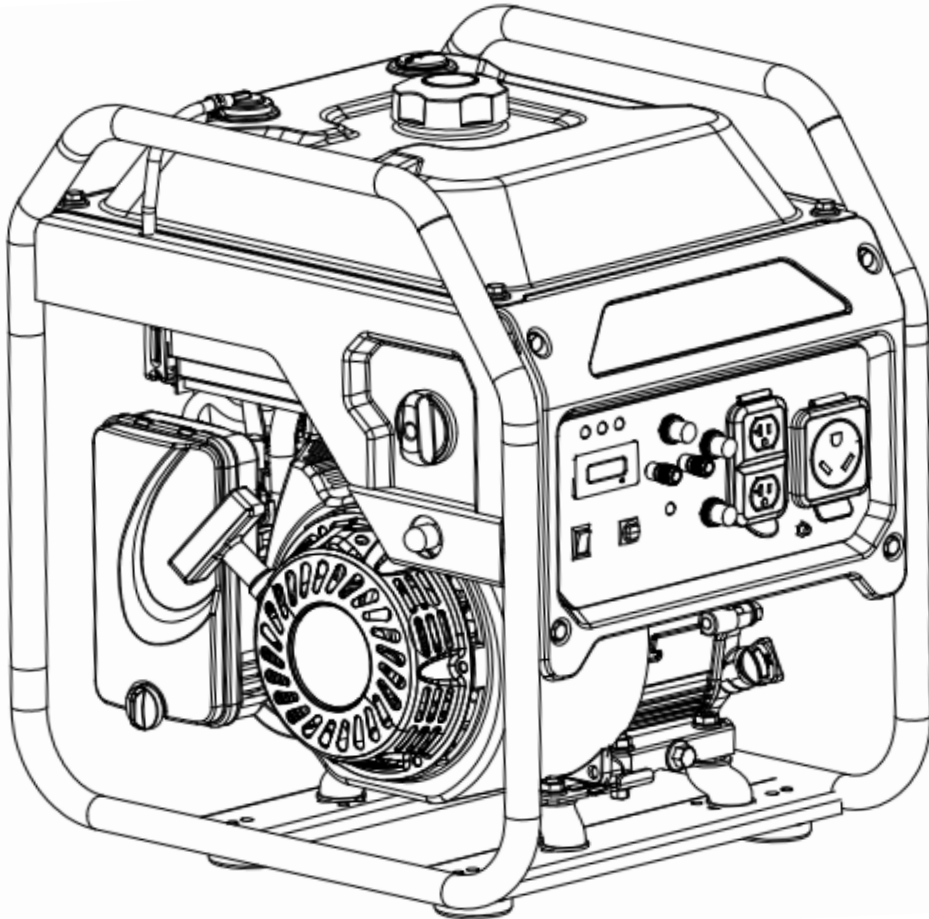




Model: PGX5250BiXCO

# 5250-Watt Dual Fuel Open Frame Inverter Generator OPERATOR'S MANUAL



## Caution:

- Before using your generator, please read this manual carefully to understand proper use.
- Keep this manual with the generator.



Warning: The Engine Exhaust from this product contains chemicals known to the State of California to cause cancer, birth defects or other reproductive harm.



**DO NOT RETURN TO STORE!**

HAVE QUESTIONS OR NEED SERVICE?



1-866-591-8921



support@pulsar-products.com

# Table of Contents

Table of Contents .....	1	Preparation.....	6
Instruction .....	1	Operation.....	8
Safety Warnings and Notices .....	1	Maintenance .....	11
Safety Instructions .....	2	Specifications .....	14
Components.....	4	Troubleshooting Guide .....	15
Control Panel .....	5	Electrical Schematic.....	17

## Introduction

Thank you for choosing **Pulsar Products!**

This manual provides instructions on how to safely and correctly operate your generator. Please read and fully understand this manual before using your generator. If you have any questions, contact us at **1-866.591.8921 (Monday–Friday)** or at **support@pulsar-products.com** before using your generator.

All details and images in this manual are believed to be accurate at the time of publication. Pulsar Products reserves the right to make updates to this manual at any time. For the latest updates, please contact Pulsar Support at **866.591.8921** or **support@pulsar-products.com**.


This manual is a permanent part of the generator. If the generator is resold, please include this manual with it.

## Safety Warnings and Notices

### WARNING: Save This Manual for Future Reference

This manual contains important information regarding the safety, operation, maintenance, and storage of this product. Before use, you must read and fully understand all cautions, warnings, instructions, and product labels. Failure to do so could result in serious personal injury and/or property damage.

## Safety Definitions

 **This safety alert symbol appears with most safety statements. It means to pay attention and be alert, your safety is involved! Please read and abide by the message that follows the safety alerts symbol.**

### **DANGER**

**DANGER indicates an imminently hazardous situation which, if not avoided, will result in death or serious injury.**

### **WARNING**

**WARNING indicates a potentially hazardous situation which, if not avoided, could result in death or serious injury.**

### **CAUTION**

**CAUTION indicates a potentially hazardous situation which, if not avoided, may result in minor or moderate injury. It may also be used to alert against unsafe practices.**

### **NOTICE**












**Failure to follow the instruction may result in the damage to your generator and other property.**

# Safety Instructions

## Safety Symbols

Follow all safety information provided in this manual and on the generator.

Before operating the generator, you must read and understand this manual fully and familiarize yourself with safe operating practices.

SYMBOL	DESCRIPTION
	Safety Alert Symbol
	Electrocution Hazard
	Asphyxiation Hazard
	Burn Hazard. DO NOT touch hot surfaces.
	Electrical Shock Hazard
	Fire Hazard
	Maintain a Safe Distance (Minimum 4 feet).
	Lifting Hazard
	Read Manufacturer's Instructions and Operator's Manual
	DO NOT Operate in Wet Conditions
	Grounding. Consult a qualified electrician to determine the necessary grounding requirements before operating this product.

## Safety Precautions

### ⚠️ WARNING



Operate this product **ONLY** outdoors, far away from windows, doors, and vents, to reduce the risk of carbon monoxide gas buildup, which could accumulate and be drawn into occupied spaces.

**DO NOT** operate this product under the influence of alcohol, while exhausted or sleep-deprived, when drowsy from medications, or under any condition that could impair your judgment or prevent safe operation.

**Avoid operating this product under the following circumstances:**

1. When the ground is slippery or when other conditions exist which might make it not possible to maintain a steady posture.
2. At night, at times of heavy fog, or at any other times when your field of vision might be limited, it would be difficult to gain a clear view of the area.
3. During rainstorms, during lightning storms, at times of strong or gale-force winds, or at any other times when weather conditions might make it unsafe to use this product.

**POISONOUS GAS HAZARD:** Engine exhaust contains carbon monoxide, a poisonous gas that could kill you in minutes. You **CAN NOT** smell it, see it, or taste it. Even if you do not smell exhaust fumes, you could still be exposed to carbon monoxide gas.



## Safety Instructions

- **Never** operate this product in enclosed or partially enclosed spaces, including homes, garages, sheds, basements, or crawlspaces, even if using fans or open windows and doors for ventilation. Carbon monoxide can build up quickly and linger for hours, even after the engine is off.
- **Install battery-operated or plug-in carbon monoxide alarms with battery backup** as per the manufacturer's instructions. **Most smoke alarms do not detect carbon monoxide.**
- **Position the product downwind** and direct the exhaust away from occupied spaces. If you experience symptoms like dizziness, weakness, or nausea, immediately turn off the product, move to fresh air, and seek medical attention, as these may indicate carbon monoxide poisoning.

### **WARNING**

**Never store fuel cans or refill the fuel tank in areas with boilers, stoves, wood fires, electrical sparks, welding sparks, or any other sources of heat or fire that could ignite the fuel.**

**Smoking while operating the product or refilling its fuel tank is extremely dangerous. Never smoke or vape while working with your generator.**

**When refilling the fuel tank, always turn off the engine first. Carefully inspect the area to ensure there are no sparks or open flames nearby before refueling. If any fuel spills occur during refueling, use a dry rag to clean up the spills before restarting the engine.**

**After refueling, securely screw the fuel cap back onto the tank and move the product at least 3 meters (10 feet) away from the refueling area before restarting the engine.**

**Additionally, be aware that starter cord kickback (rapid retraction) can pull your hand or arm toward the engine, potentially causing fractures, sprains, or other serious injuries.**

### **WARNING**



**Fuel and its vapors are extremely flammable and explosive which could cause burns, fire, or explosion resulting in death or serious injury and/or property damage.**

## When Adding or Draining Gasoline

**Turn the generator OFF and allow it to cool for at least 2 minutes before removing the fuel cap. Loosen the cap slowly to relieve any built-up pressure.**

- Fill or drain fuel tank outdoors.
- DO NOT overfill the tank. Allow space for fuel expansion.
- If fuel spills, wipe it up and let the area dry before starting the engine.
- Keep fuel away from sparks, open flames, heat, and other ignition sources.
- Check the fuel lines, fuel tank, fuel cap, and fittings regularly for cracks or leaks. Replace components if needed.
- Never smoke or vape near the generator or fuel.

## Before Starting the Unit

**Before starting your generator, you must read and understand the manual and familiarize yourself with safe operating practices.** Improper treatment of the generator could damage it and shorten its lifespan.

Keep the generator frame dry, clean, and free of oil or fuel residue.

## ⚠ WARNING

Never touch the Muffler, spark plug, or any other metal parts of the inverter generator while it is operating or immediately after shutdown, as this could result in serious burns or electric shock.

## When Starting the Unit

Ensure the spark plug, muffler, fuel cap, and air cleaner are properly in place.

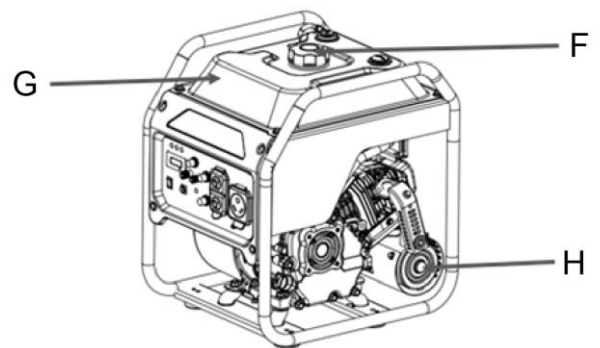
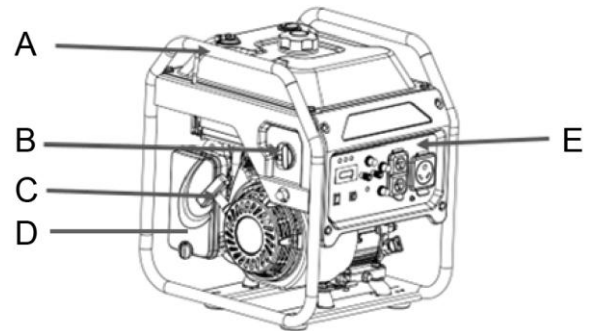
DO NOT crank the engine with the spark plug removed.

## NOTICE

- Use the generator only for its intended applications.
- Operate the generator only on solid, level surfaces.
- DO NOT insert any objects through the cooling slots.
- DO NOT expose the generator to excessive moisture, dust, dirt, or corrosive vapors.
- If connected devices overheat, turn them off and disconnect them from the generator immediately.

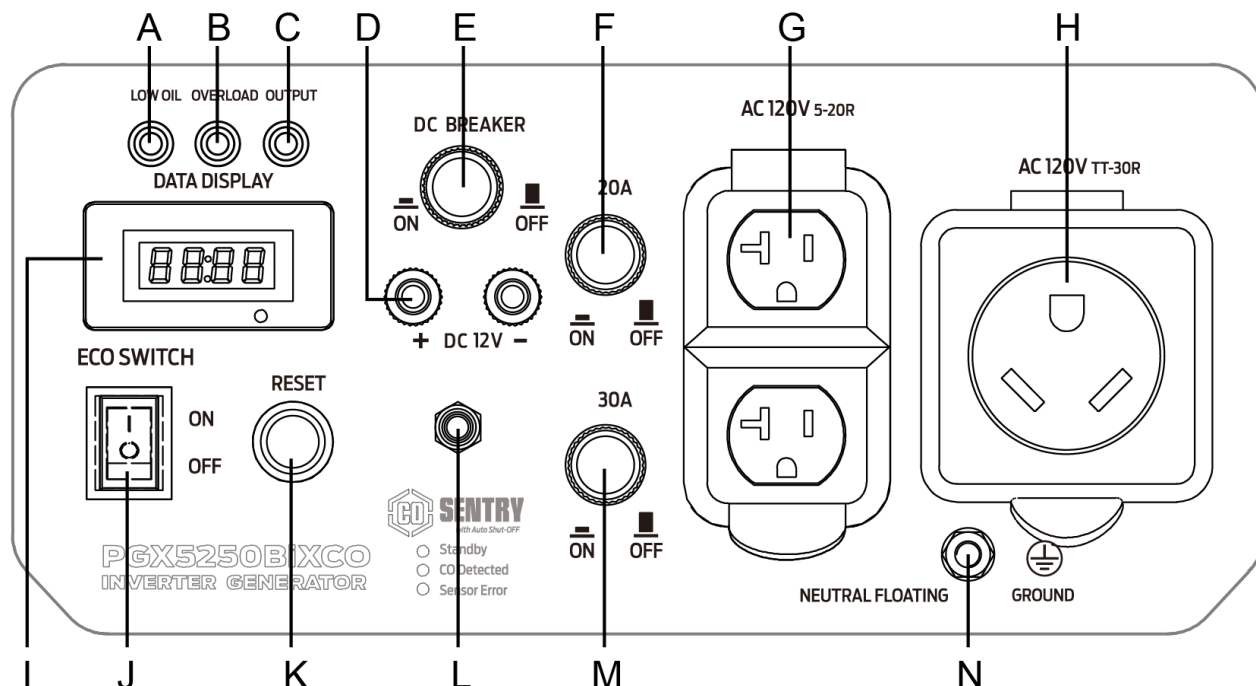
### Shut off the generator if:

- Electrical output is lost.
- Equipment emits sparks, smoke, or flames.
- The unit vibrates excessively.



- A. Generator Frame
- B. Fuel Switch
- C. Recoil Start
- D. Air Filter
- E. Control Panel
- F. Fuel Cap
- G. Fuel Tank
- H. Muffler

## Control Panel



- A. **Low Oil Indicator:** This indicator illuminates when the oil level in the crankcase falls below the safe operating limit. In such cases, the generator will automatically shut off the engine to prevent damage.
- B. **Overload Indicator:** This light indicates that the generator is overloaded and may need to be disconnected from excess electrical loads.
- C. **Output Ready Indicator:** Illuminates when the generator is operating normally, indicating that it is producing power and ready for use.
- D. **DC Terminal:** DC 12V, 8.3A
- E. **DC Breaker:** Circuit breaker limits the current delivered through the DC Terminal to 8.3 amps.
- F. **20 Amp AC Circuit Breaker:** Circuit breaker limits the current delivered through the NEMA 5-20R receptacle to 20 amps.
- G. **120 Volt AC, 20 Amp Duplex NEMA 5-20R Receptacle:** This receptacle is rated for a maximum of 20 amps.
- H. **120 Volt AC, 30 Amp NEMA TT-30R Receptacle:** This receptacle can supply a maximum of 30 Amps.
- I. **Data Display:** Frequency, Voltage, Total Runtime, and Current Runtime—one at a time, selectable by pressing the button.
- J. **ECO Switch:** Minimizes engine speed, noise, and fuel consumption under light electrical load.
- K. **Overload Reset:** Protects the inverter from overload. Reduce load as necessary and press to reset.
- L. **CO Sensor:** Detects the presence of carbon monoxide and may shut down the unit automatically for safety.
- M. **30 Amp AC Circuit Breaker:** Circuit breaker limits the current delivered through the NEMA TT-30R receptacle to 30 amps.
- N. **Ground Terminal:** Used to externally ground the generator, enhancing safety during operation.

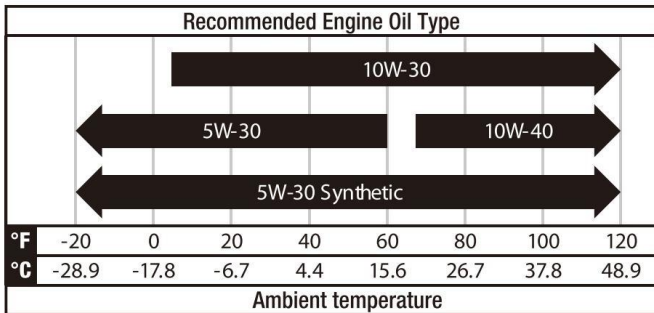
# Preparation

## Add Engine Oil

### NOTICE

Failure to follow this instruction may result in damage to your generator and other property.

If you are operating the generator in extreme temperatures, please refer to the following chart for the recommended oil type.

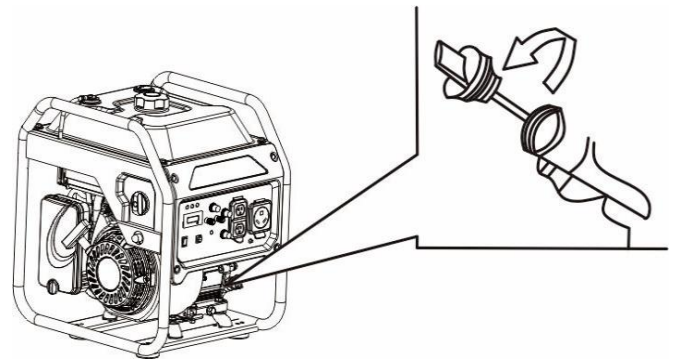


The generator is shipped without engine oil. Do not start the engine without ensuring it has sufficient oil.

1. Place the generator on a level surface. Make sure the engine is OFF before adding or checking oil.
2. Unscrew the oil access cover and remove the cover from the side panel. Unscrew the oil dipstick from the engine.
3. Using an oil funnel or appropriate dispenser, slowly add oil into the oil fill, being careful not to overfill the unit. Fill the crankcase to the upper fill line so you can visually see the oil coming halfway up the oil fill threads.
4. Reinstall the oil dipstick and tighten it securely. Wipe off any spilled oil.
5. Reinstall the oil access cover. Turn the oil access cover to the locked position to secure it in place.

### CAUTION

Always keep the generator level. Tilting the unit during filling may cause oil to enter incorrect engine compartments, resulting in potential damage.



### NOTICE

Recommended Engine Oil:

- Oil Type: SAE 10W-30
- Oil Grade: API Service SE or higher
- Engine Oil Capacity: 20 fl oz (600ml)

Residual oil from the factory may remain in the engine. Add oil slowly to prevent overfilling. Once oil has been added, the oil level should be 1-2 threads below the fill hole. DO NOT screw in the dipstick while checking the oil level.

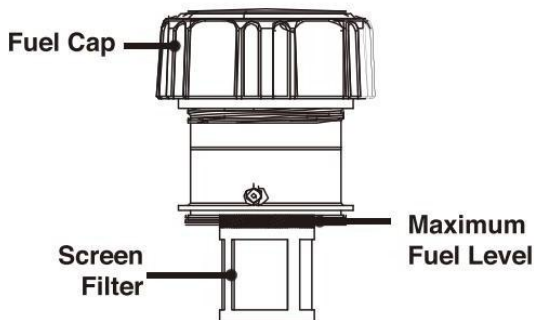
During the first 5 hours of operation (the break-in period), check the oil level frequently and operate at or below 50% of the running watt rating. Vary the electrical load periodically to promote heating and cooling of the stator windings, which helps seat the piston rings.

This engine is equipped with a low-oil shutoff system that automatically stops operation when oil levels become critically low. Refer to the Maintenance section for service intervals.

## Preparation

### Fuel the Unit

- Ensure the generator is on a solid, flat, level surface.
- Unscrew the fuel cap and set it aside.
- Slowly add gasoline to the fuel tank, taking care not to overfill. The fuel gauge on the top indicates the fuel level.
- Replace the fuel cap and wipe up any spilled gasoline with a dry cloth, then safely remove the cloth from the area.



#### **⚠ CAUTION**

Remove the fuel cap and place it in a clean location. Fill the fuel tank to no more than 80% capacity. Securely replace the fuel cap and wipe up any spills.

#### **⚠ WARNING**

Gasoline is extremely flammable. Never smoke or vape anything near fuel. You must stop the engine and allow it to cool before refueling. Select outdoor bare ground for fueling and move the generator at least 3m (10 ft) away from the fueling point before starting the engine.

Gasoline can expand; do not fill the tank to the top. Leave at least 1.5 inches of open space. Gasoline fumes are explosive, so never fill the tank near an open flame, and always check for spills.

To ensure smooth operation, use only fresh gasoline with an octane rating of 87. Never use old gasoline and avoid introducing dirt or water into the fuel tank. Gasoline ages in the tank, which may make future starts difficult. Do not store the generator for extended periods with gasoline in the tank.

### Grounding the Generator

**Attach a grounding wire if required by local code:**

- Connect a suitable grounding wire to the grounding stud on the control panel and tighten the nut.
- Attach the other end to a copper or brass grounding rod driven into the earth.

**A commonly acceptable grounding wire is a No. 12 AWG (American Wire Gauge) stranded copper wire. Since grounding codes vary by location, consult a local electrician to ensure compliance with local regulations.**

# Operation

## Operating the Generator

**Location:** Do not operate the generator inside any building, garage, basement, crawlspace, shed, RV compartment, or other enclosed spaces.

**Outdoor Setup:** Avoid operating the generator in a truck bed, camper, trailer, or any other confined location, such as under staircases or next to walls, which may restrict airflow or exhaust.

**Weather Conditions:** Never operate or store the generator in wet conditions (e.g., rain or snow) to avoid serious injury or death from electrocution.

**Clearances:** Maintain a minimum of 5 feet (1.5 meters) of clearance from all combustible materials. Ensure at least 5 feet (1.5 meters) of airflow clearance on all sides for cooling, maintenance, and safe exhaust flow.

**Ventilation:** Position the generator in a well-ventilated area and away from air intake vents or confined spaces where exhaust fumes could enter.

**Wind Direction:** Be mindful of wind direction when positioning the generator to prevent exhaust from flowing toward occupied spaces.

**Cooling:** Allow the generator to cool fully before transporting or storing.

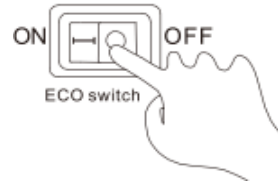
**Failure to follow these safety precautions may result in personal injury, damage to the generator, and may void the manufacturer's warranty.**

### **WARNING**

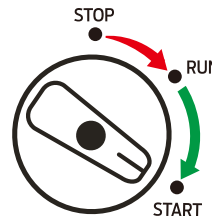
During operation, the muffler and engine will be very hot. Without adequate cooling space or if the generator is blocked or enclosed, temperatures may rise quickly and could lead to a fire.

## Starting the Generator with Gasoline

1. Turn the ECO switch to "OFF" position.



2. Turn the fuel switch to the "START" position.



### **NOTICE**

**For warm engine restarts, you may turn the Fuel Switch directly to the "RUN" position.**

**Cold Start:** When the engine oil is below **165 °F (74 °C)**, the machine is considered in cold start condition.

**Warm Start:** Engine oil at or above **165 °F** indicates warm start conditions.

**Due to variations in altitude, humidity, and ambient temperature, it may be difficult for users to accurately determine whether the engine is in a cold or warm state.**

**You may safely try both the "START" and "RUN" positions. Allow a few seconds between each pull of the Recoil Start and observe for ignition to avoid fuel flooding or excessive wear to the starter rope.**

# Operation

3. Pull the recoil rope until resistance is felt, let it retract, then pull swiftly. Repeat as necessary until the engine starts.



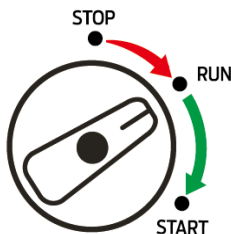
## RECOIL START

4. After the engine starts, gradually turn the Fuel Switch to the "RUN" position.

In warm conditions, this can be done immediately.

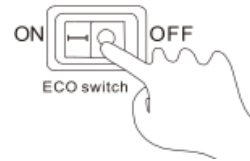
In colder conditions, keep the switch in the "START" position for 20–30 seconds to allow the engine to warm up before switching to "RUN".

Always switch to "RUN" before connecting electrical loads to the generator.

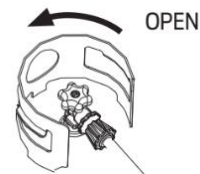


# Starting the Generator with Propane

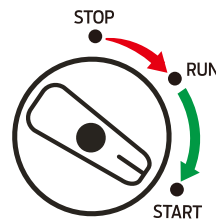
1. Turn the ECO switch to "OFF" position.



2. Open the LPG valve on the propane cylinder.



3. Turn the fuel switch to the "START" position. Please see the warning and startup notice on page 8.



4. Pull the Recoil Start until resistance is felt, then let it retract and pull swiftly. Repeat as needed until the engine start.



## RECOIL START

5. After the engine starts, gradually turn the fuel switch to the "RUN" position.

In warm conditions, this can be done immediately.

In colder conditions, keep the switch in the "START" position for 20–30 seconds to allow the engine to warm up before switching to "RUN".

Always switch to "RUN" before connecting electrical loads to the generator.

# Operation

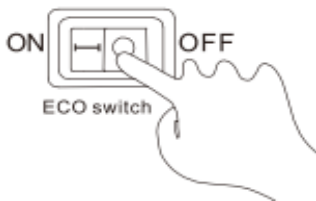
## Overload Indicator

The OVERLOAD light may turn on briefly when starting a large device. This is normal for loads near the generator's capacity.

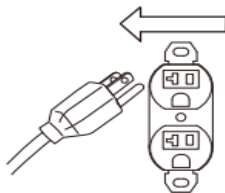
- Ensure that the total combined load does not exceed the generator's rated running power.
- If the OVERLOAD light remains on and power is interrupted, the generator is either overloaded or may require service.
- Turn off and disconnect all devices, then shut down the engine. Compare device wattage requirements with the generator's rated output and reduce the load if necessary. Ensure adequate ventilation around the generator.
- Check if any circuit breakers have tripped and reset them before restarting.
- Restart the engine, reconnect devices gradually, and avoid overloading the generator.
- If the issue persists, contact an authorized Pulsar Service Center for inspection and service.

## Stop the Generator with Gasoline

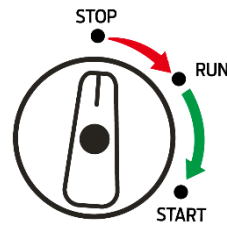
1. Turn the ECO switch to "OFF" position.



2. Unplug all connected electrical loads. Never start or stop the generator with electrical devices plugged in or powered on.

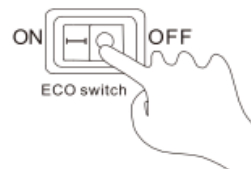


3. Turn the Fuel Switch to the "STOP" position.

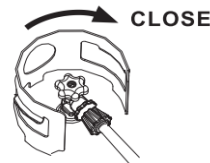


## Stop the Generator with Propane

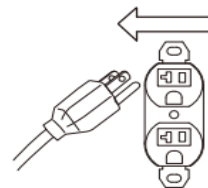
1. Turn the ECO Switch to the "OFF" position.



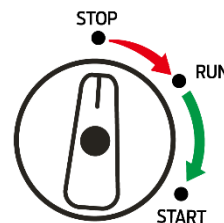
2. Close the LPG valve on the propane cylinder.



3. Unplug all connected electrical loads. Never start or stop the generator with electrical devices plugged in or powered on.



4. Turn the fuel switch to the "STOP" position.



### Generator's Power Capacity

#### NOTICE

**Do not exceed the generator's power capacity. Exceeding the wattage capacity can lead to damage to both the generator and the electrical devices connected to it.**

**Ensure that the generator can supply sufficient continuous (running) and surge (starting) watts for the devices you plan to power simultaneously. When determining power requirements, consider the total power needs of all connected devices using the formula: Volts x Amps = Watts. Appliance and power tool manufacturers typically provide rating information near the model or serial number.**

**To determine power requirements:**

1. **Select the Devices:** Identify the devices you intend to power simultaneously with the generator.
2. **Total Continuous Watts:** Calculate the total continuous (running) watts of these devices. This total represents the power the generator must consistently produce to keep all selected items operational.
3. **Estimate Surge Watts:** Determine the estimated surge (starting) watts required. Surge wattage is the initial burst of power needed to start electric motor-driven tools or appliances, such as a circular saw or refrigerator. Since not all motors start at the same time, you can estimate total surge watts by adding the item(s) with the highest additional surge wattage to the continuous watt total from step 2.

### High Altitude Operation

Operating the generator at high altitudes can affect performance due to a richer air/fuel mixture, leading to decreased efficiency and increased fuel consumption. It may also cause spark plug fouling and hard starting. Extended operation at altitudes different from the engine's certification may result in higher emissions.

For those using the generator above 5,000 feet (1,500 meters), a qualified technician should perform carburetor modifications to improve performance. While these modifications will help meet emission standards, note that engine power will decrease by approximately 3.5% for every 1,000-foot (300-meter) increase in altitude.

### Safety Precautions Before Maintenance

#### ⚠ WARNING

**Turn Off the Generator:** Switch the generator to "OFF," wait for the engine to cool, and disconnect the spark plug cable before performing any inspections, maintenance, or cleaning.

**Equipment Failure:** Do not use damaged equipment. If you notice abnormal noise, vibration, or excessive smoke, correct the issue before further use.

**Qualified Technician:** Many maintenance tasks, including those not detailed in this manual, should be performed by a qualified technician to ensure safety. If you are unsure about servicing the equipment or engine, please contact an authorized Pulsar Service Center for assistance.

### Cleaning, Maintenance, and Lubrication Schedule

This schedule serves as a general guide. If performance decreases or if the generator operates unusually, have it inspected immediately. Maintenance needs may vary based on factors such as duty cycle, temperature, air quality, and fuel quality.

The following procedures are in addition to the regular checks and maintenance outlined for the generator:

**Before Each Use:** Check engine oil level.

**Every 3 Months or 50 Hours of Use:** Clean or replace the air filter. Check/adjust idle speed.

**Every 6 Months or 100 Hours of Use:** Change engine oil. Check and clean spark plug and spark arrestor. Check/adjust valve clearance.

**Yearly or Every 300 Hours of Use:** Clean fuel tank, strainer, and carburetor. Clean carbon build-up from combustion chamber.

**Every 2 Years:** Replace the fuel cap if necessary.

## Maintenance

### Checking and Filling Fuel

#### **⚠ WARNING**

**To Prevent Serious Injury from Fire: Always shut off the engine while refueling.**

1. Clean the fuel cap and the area around it.
2. Unscrew and remove the fuel cap.
3. Remove the strainer and discard any dirt and debris, then replace the strainer.

#### **NOTICE**

**Do not use gasoline containing more than 10% ethanol (E10) or E85 ethanol.**

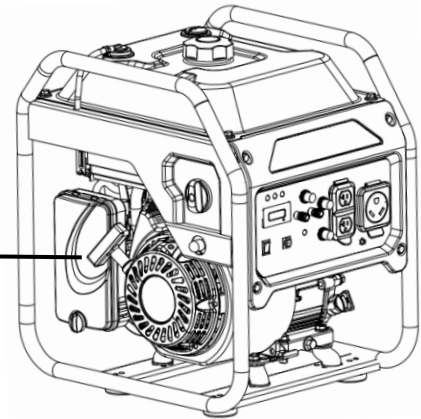
**Add a fuel stabilizer (such as Sta-Bil or Pri-G) to the gasoline; failure to do so will void the warranty.**

**Avoid using gasoline that has been stored in a metal or dirty fuel container, as it can introduce particles that affect engine performance or cause damage.**

4. Add fuel if needed, do not overfill.
5. Replace the fuel cap securely.
6. Wipe up any spilled fuel and allow any residue to evaporate before starting the engine. To prevent fire, do not start the engine while the smell of fuel lingers in the air.

### Air Filter Maintenance

1. Remove the air filter case cover.
2. Take out the foam element.
3. Wash the foam element in hot, soapy water. Never use a solvent



**Air Filter**

#### **NOTICE**

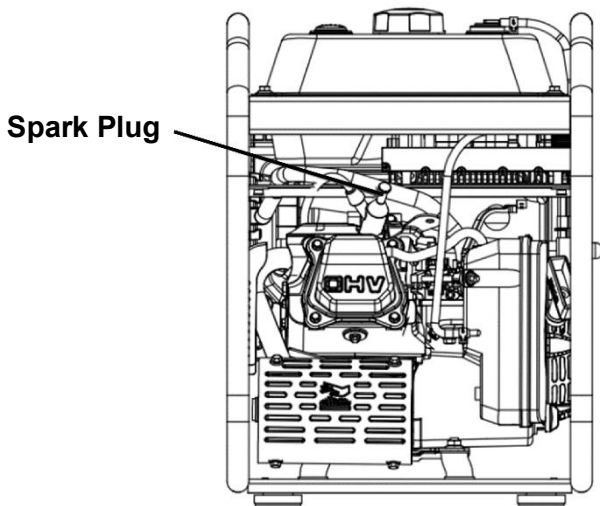
**Do not wring out the foam element when squeezing it, as this could cause it to tear.**

1. Apply a few drops of clean engine oil to the foam element and squeeze out the excess oil. The foam should have a light coating but not dripping. Ensure the oil is evenly distributed for a light film across the foam material.
2. Reinstall the foam element in the air filter box. The engine should never run without the foam element, as premature engine wear may result.
3. Install the air filter case cover in its original position.

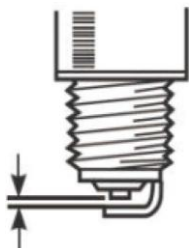
### Spark Plug Maintenance

**The spark plug is critical for good engine performance; it should be removed, cleaned, inspected, adjusted, and/or replaced regularly to maintain optimal performance.**

1. **Remove the Spark Plug:** Remove the spark plug boot. Insert the spark plug tool through the hole and fit it securely over the spark plug. Use the T-handle through the spark plug wrench and turn it counterclockwise until the spark plug can be removed.



2. **Inspect and Clean:** Check the porcelain insulator nose; it should be a light tan color. Use a wire brush to remove any black carbon deposits. Measure the spark plug gap according to the specified table. Adjust the gap or replace the spark plug as necessary, ensuring the gap is measured with a wire thickness gauge.
3. **Reinstall the Spark Plug:** Tighten the spark plug to 12.5 N·m (15 lb·ft). Proper tightening is crucial: If the spark plug is too loose, it can cause the engine to overheat. If it is over-tightened, it may damage the threads in the cylinder head.



Standard Spark Plug: BP6ES

Spark Plug Gap: 0.6-0.8 mm

## NOTICE

If a torque wrench is not available, a good estimate of the correct torque is 1/4 to 1/2 turn past finger tight. However, the spark plug should be tightened to the specified torque as soon as possible.

4. **Reconnect the Spark Plug Boot:** Ensure it clicks into place. Tug gently on the boot to confirm a secure connection.

## Generator Storage

When the generator will remain idle for longer than 30 days, prepare the engine for storage as follows:

- **Cleaning:** Allow the engine to cool. Open both side access panels and blow or vacuum any dirt or debris. Do not use water for cleaning, as it can enter the engine and cause damage.
- **Fuel Treatment/Draining:** Fill the fuel tank with fresh gasoline that has been treated with a fuel stabilizer additive (such as Sta-Bil or Pri-G). Follow the fuel stabilizer manufacturer's recommendations for use.
- **Storage Area:** Cover the generator and store it in a dry, level, well-ventilated area out of reach of children, away from ignition sources like water heaters and furnaces.
- **Engine Operation During Storage:** Start the engine every 3 months and allow it to run for 15-20 minutes.

## ⚠ WARNING

Fill the fuel tank in a well-ventilated area away from ignition sources. If the engine is hot from use, allow it to cool before adding fuel. Do not smoke or vape while refueling.

## Draining the Carburetor

1. Shut off the gasoline flow.
2. Place an appropriate container under the carburetor.
3. Carefully open the drain bolt at the bottom of the carburetor bowl, allowing the fuel to drain completely.
4. Replace the drain bolt after draining.

## NOTICE

Aged gasoline that has not been treated with a stabilizer must be safely drained and disposed of. Never run old gasoline through the engine. To prevent serious injury and fire, ensure the engine is cool before performing any maintenance procedures.

## Specifications

<b>Product Description</b>	5250W Dual Fuel Open Frame Inverter Generator
<b>Engine Type</b>	Single Cylinder, 4-Stroke, Forced Air Cooling, OHV
<b>Displacement (cc)</b>	223
<b>Peak Power (Gasoline)</b>	5250W
<b>Rated Power (Gasoline)</b>	4000W
<b>Peak Power (Propane)</b>	4700W
<b>Rated Power (Propane)</b>	3600W
<b>Fuel Burn at Half Load (Gasoline)</b>	0.38gal/h
<b>Fuel Burn at Half Load (Propane)</b>	1.75lb/h
<b>Fuel Tank Capacity</b>	2.11gal
<b>Run Time at Half Load (Gasoline)</b>	6 hours
<b>Voltage Rating</b>	120V
<b>Frequency</b>	60Hz
<b>Amperage (120V Rated/Peak Gasoline)</b>	33.33A / 43.75A
<b>Starting Type</b>	Recoil Start
<b>Outlet</b>	2*AC 120V 20A, 1*AC 120V 30A, 1*DC 12V 8.3A
<b>Oil Type</b>	SAE 10W-30
<b>Oil Capacity</b>	20fl oz (280ml)
<b>Maximum Ambient Temperature</b>	40°C (104°F)
<b>Product Dimensions (in)</b>	18.5 x 14.76 x 19.69
<b>NW (lbs)</b>	64
<b>Warranty</b>	3 Years

# Troubleshooting Guide

Problem	What to Do
<b>THE ENGINE WILL NOT START</b>	<b>Check Fuel Level:</b> Ensure there is enough gasoline in the tank.
	<b>Fuel Filter Check:</b> If the fuel filter is clogged, replace it with a new one.
	<b>Check Oil Level:</b> Make sure the oil level is at the full mark. Low oil can prevent starting in generators with a low oil shutdown feature.
	<b>Spark Plug Condition:</b> Remove and inspect the spark plug. Clean or replace if it appears fouled or worn. Ensure the spark plug cap is securely attached.
	<b>Air Filter:</b> Check the air filter for dirt or blockages. Clean or replace if necessary.
	<b>Inspect Fuel Quality:</b> Use fresh gasoline with an octane rating of 87 or higher. Stale fuel may need to be drained and replaced.
	<b>Carburetor Issues:</b> If the carburetor is fouled, it may require cleaning or servicing.
	<b>Ignition System:</b> If the ignition system seems faulty, consult an authorized service center.
	<b>Fuel Valve Position:</b> Ensure the fuel valve is set to the "ON" position. If it's off, fuel won't flow to the carburetor, preventing the engine from starting.
	<b>Fuel Valve Blockage:</b> If the fuel valve is open but no fuel is reaching the carburetor, the valve or fuel line could be clogged. Cleaning or replacing the fuel valve may be necessary.
<b>Propane No-Start:</b> Ensure the fuel switch is set to the propane position. Check the propane tank for sufficient fuel and ensure the connection is secure. Verify the propane regulator is functioning; if not, it may require replacement. Inspect the propane line for blockages or leaks and replace if necessary.	

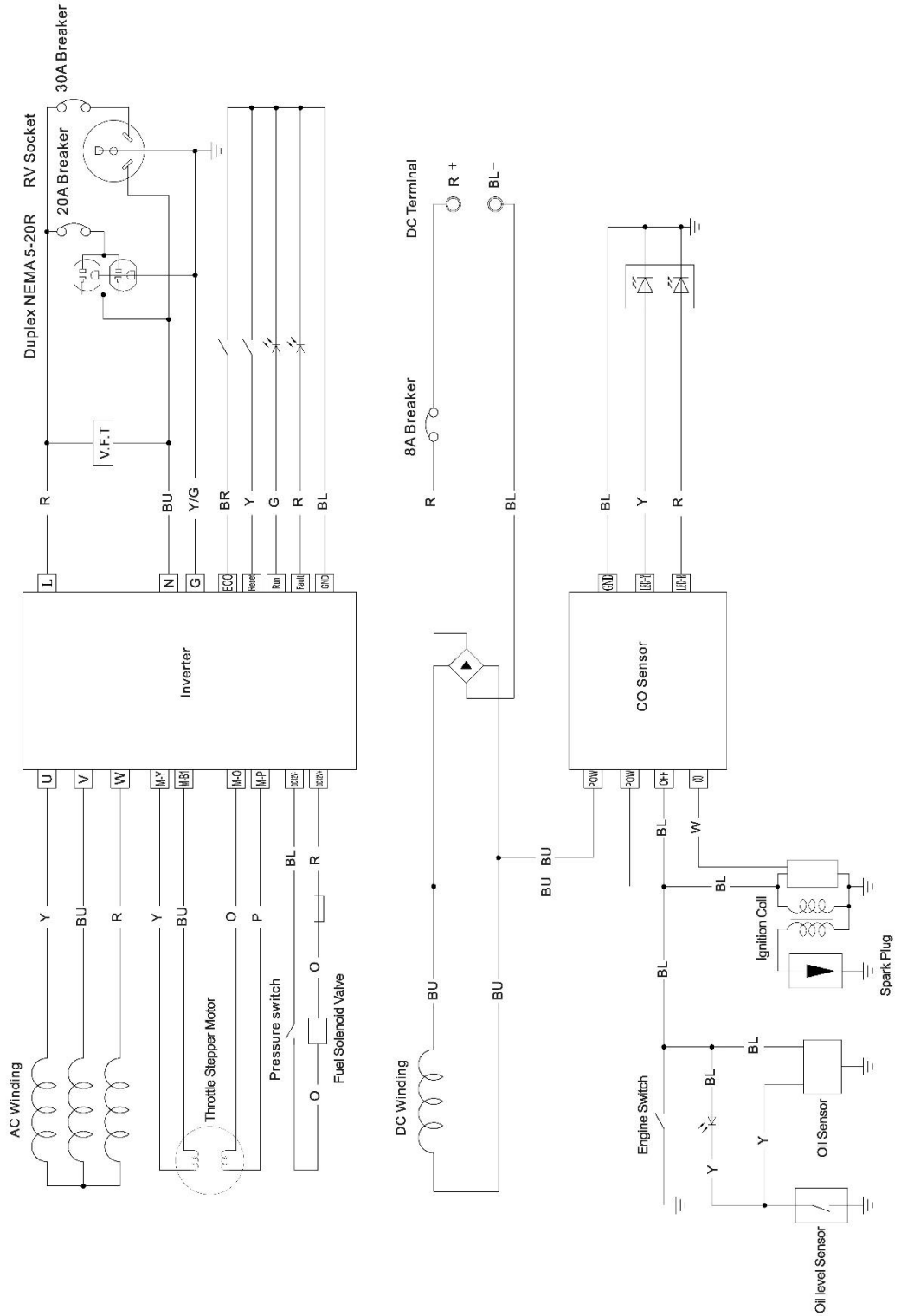


# Troubleshooting Guide

Problem	What to Do
<p style="text-align: center;"><b>GENERATOR WILL NOT PRODUCE POWER</b></p>	<p><b>Check Circuit Breakers:</b> Ensure all circuit breakers are in the "ON" position. If any are tripped, reset them and test for power.</p>
	<p><b>Verify Connections:</b> Make sure all power cords are connected securely and that any connected devices are operational.</p>
	<p><b>Inspect for Overload:</b> If the generator was overloaded, disconnect all devices and let it run briefly to reset. Reconnect devices gradually, staying within the generator's rated capacity.</p>
	<p><b>Check for Overload Indicator Light:</b> If your generator has an overload indicator, make sure it isn't lit. An overload light often signals that a high-powered device is drawing too much electricity.</p>
	<p><b>Examine the Outlet Panel:</b> Inspect the outlets for damage or debris, as these can prevent proper electrical flow.</p>
	<p><b>Inspect the Brushes and AVR (if applicable):</b> If you're familiar with internal components, check the generator's brushes and automatic voltage regulator (AVR) for wear or failure. A qualified technician should handle this step if you're uncertain.</p>
	<p><b>Reset the Generator:</b> Some inverter generators have reset buttons. Follow the user manual to reset the inverter if applicable.</p>
	<p><b>Professional Service:</b> If none of the above steps restore power, it could be an issue with internal components (e.g., alternator or inverter module), and you may need to contact a service center for repair.</p>



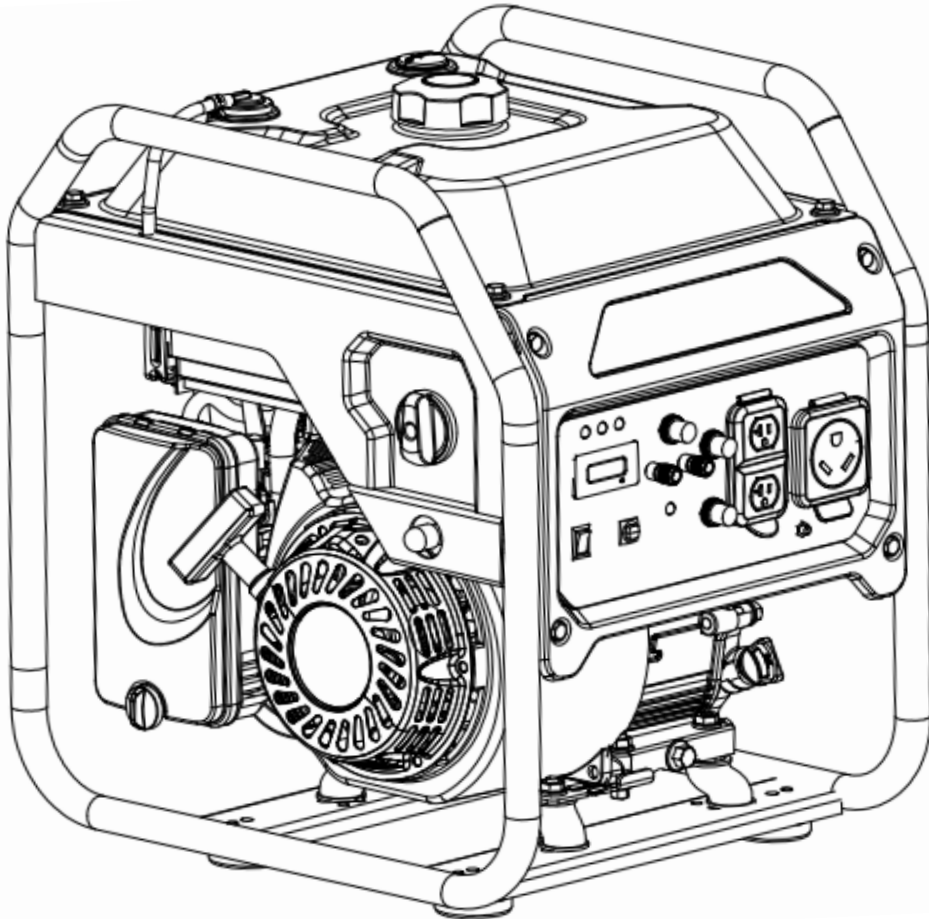
# Electrical Schematic





Model: PGX5250BiXCO

## 5250-Watt Dual Fuel Open Frame Inverter Generator EXPLODED VIEW & PARTS LIST



### Caution:

- Before using your generator, please read this manual carefully to understand proper use.
- Keep this manual with the generator.



Warning: The Engine Exhaust from this product contains chemicals known to the State of California to cause cancer, birth defects or other reproductive harm.



**DO NOT RETURN TO STORE!**

HAVE QUESTIONS OR NEED SERVICE?

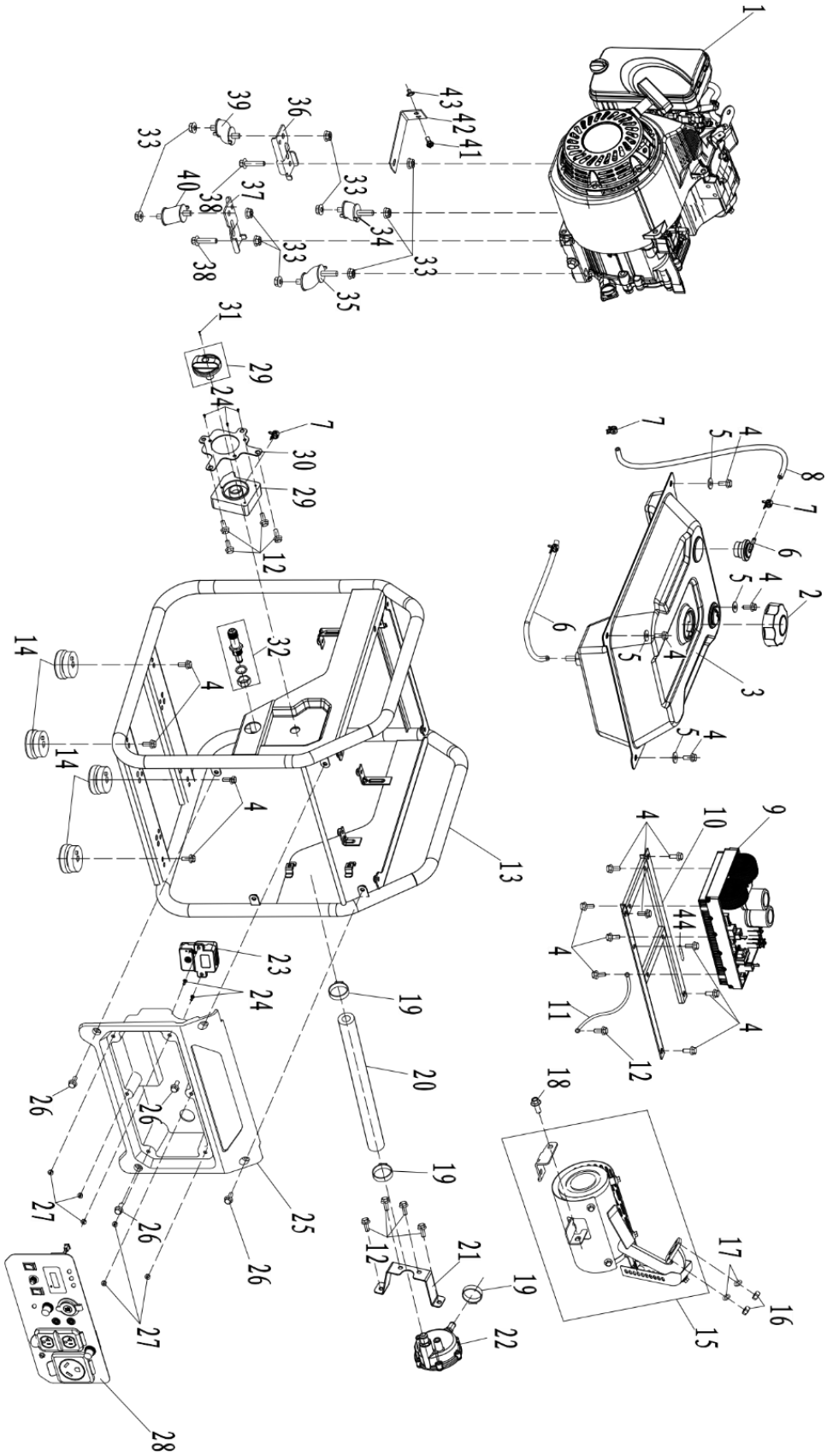


1-866-591-8921



support@pulsar-products.com

# Exploded View-Generator

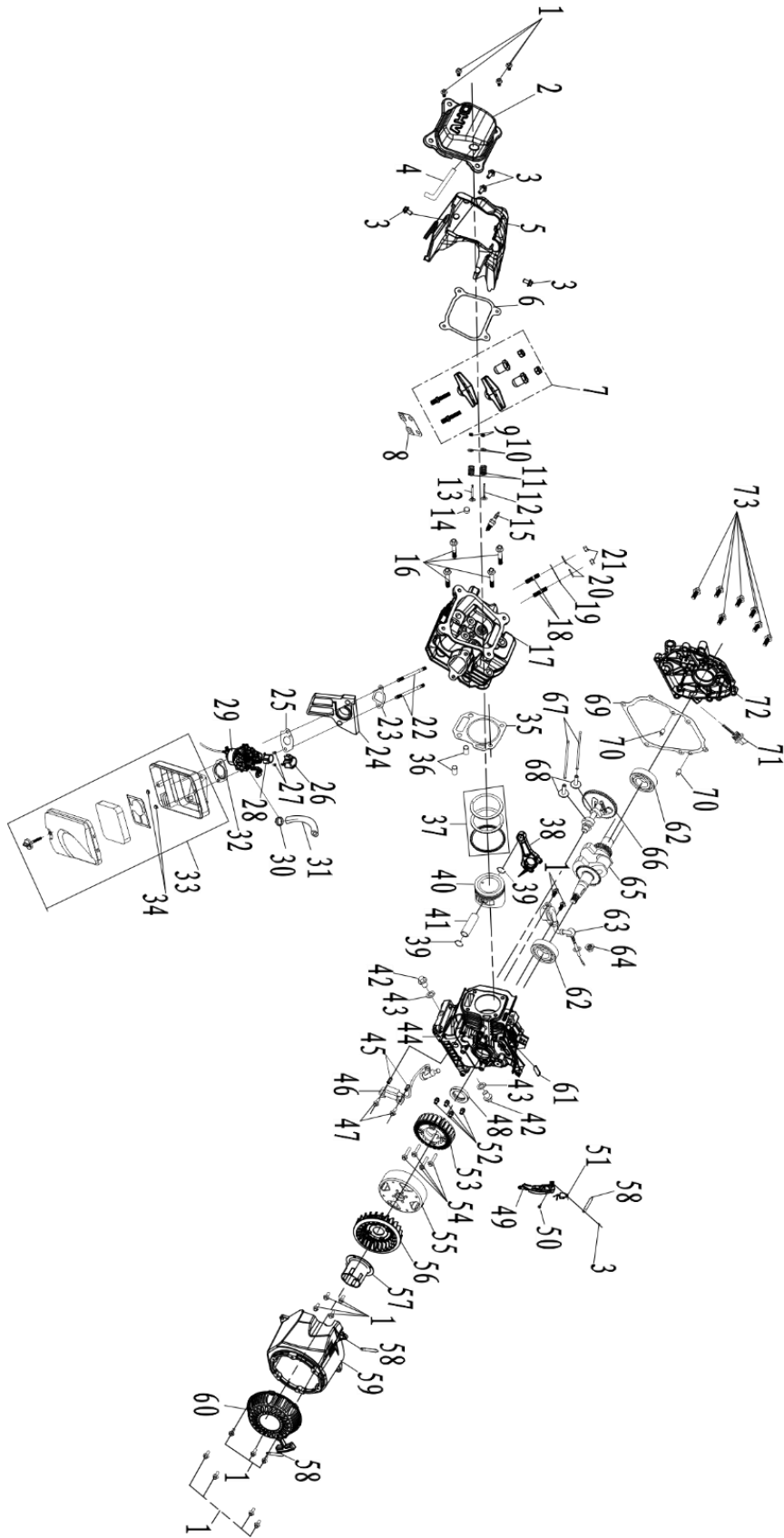


## Parts List-Generator

Items	Part No	Description	Qty
1	5.01.075.000037	Engine	1
2	2.55.05.128106	Fuel Cap	1
3	2.55.05.128107	Fuel Tank	1
4	2.63.01.02331	Hex Head Bolt Full Thread	17
5	2.63.01.01812	Fuel Tank Connecting Pad	4
6	2.55.06.034000	Oil Inlet Pipe	1
7	2.55.07.003800	Spring Clamp	3
8	2.55.06.008500	Oil Pipe $\Phi 8 \times \Phi 4.5 \times 500$	1
9	2.80.04.000146	Inverter	1
10	2.80.03.000063	Mounting Plate Of Inverter	1
11	2.56.10.014818	Ground Wire	1
12	2.63.01.01756	Hex Head Bolt M6*12	9
13	2.57.01.108208	Frame	1
14	2.61.05.010302	Shock Absorbing Floor Mats	4
15	2.50.12.044200	Muffler	1
16	2.63.01.00287	Type 1 Hexagonal Nut	2
17	2.63.01.01705	Standard Spring Washer	2
18	2.63.01.02509	Hex Head Bolt	1
19	2.62.02.127006	Leaf Spring Clamp $\Phi 12 - \Phi 20$	3
20	2.55.11.007623	LPG Pipe	1
21	2.80.03.000064	Secondary Pressure Reducing Valve Mounting Plate	1
22	2.55.11.007621	Secondary Pressure Reducing Valve	1
23	2.80.04.000145	Co Sensor	1
24	2.63.01.04447	Cross Recess Pan Head Self-Tapping Screw 4.2*16	5
25	2.62.01.018633	Panel Rear Cover	1
26	2.63.01.03918	Hexagonal Flange Bolts	4
27	2.63.01.02091	Hex Nut	6
28	2.56.01.360779	Panel Assembly	1
29	2.53.05.003012	3-In-1 Switch Assembly	1

30	2.57.04.060988	Mounting Plate	1
31	2.63.01.04471	Screw M4*20	1
32	2.55.11.007624	LPG Connect	1
33	2.67.01.000230	Nut	10
34	2.61.05.010307	Shock Block	1
35	2.61.05.010304	Shock Block	1
36	2.61.05.010305	Left Shock Absorber Plate	1
37	2.61.05.010306	Right Shock Absorber Plate	1
38	2.63.01.02743	Hexagonal Flange Bolts	2
39	2.61.05.010308	Shock Absorber Block	1
40	2.61.05.010303	Shock Block	1
41	2.63.01.03763	Screw M6*20	1
42	2.50.14.000700	Air Filter Bracket	1
43	2.07.01.001700	Bushing (Flanged)	1
44	2.62.01.003000	Cable Clamp	1

# Exploded View-Engine



## Parts List-Engine

Items	Parts No.	Description	Qty
1	2.63.01.00180	Hexagonal Flange Bolt M6*16	18
2	2.50.01.009050	Cylinder Head Cover	1
3	2.63.01.02494	Hexagonal Flange Bolt M6*16	5
4	2.50.13.000100	Exhaust Pipe	1
5	2.52.06.005719	Windshield	1
6	2.60.09.003800	Cylinder Head Cover Gasket	1
7	2.50.05.002000	Valve Rocker Arm	1
8	2.50.06.000900	Guide Plate	1
9	2.50.09.001300	Valve Adjustment Cap	2
10	2.50.09.000300	Exhaust Valve Spring Retainer	2
11	2.50.09.000100	Valve Spring	2
12	2.50.04.003800	Exhaust Valve	1
13	2.50.03.004000	Intake Valve	1
14	2.50.10.000100	Seal Guide	1
15	2.53.06.000500	Spark Plug	1
16	2.63.01.03750	Hexagonal Flange Bolt M8*60	4
17	2.50.02.009025	Cylinder Head	1
18	2.63.01.02545	Exhaust Stud Bolt M8*34	2
19	2.60.03.000200	Exhaust Gasket	1
20	2.63.01.01705	Spring Washer $\Phi 8$	2
21	2.63.01.00287	M8 Hex Nut	2
22	2.63.01.04196	Intake Stud Bolt M6*95	2
23	2.60.02.003400	Air Intake Gasket	1
24	2.55.02.003800	Carburetor Link Block	1
25	2.60.04.000200	Carburetor Spacer	1
26	2.56.03.069080	Stepper Motor Cover	1
27	2.63.01.00832-1	Cross Recess Pan Head Screw M3*8	2
28	2.56.03.051300	Stepping Motor	1
29	2.55.01.049175	Carburetor	1
30	2.62.02.127006	Leaf Spring Clamp $\Phi 12-\Phi 20$	1
31	2.55.11.007622	LPG Inlet Pipe	1
32	2.60.05.000200	Air Filter Spacer	1
33	2.50.11.031102	Air Filter	1
34	2.63.01.00291	Hexagonal Flange Bolt M6	2
35	2.60.08.006700	Cylinder Sealing Gasket	1
36	2.63.01.00406	Locating Pin 10*16	2
37	2.51.11.005100	Piston Ring Set	1
38	2.51.12.006100	Connecting Rod Assy	1

39	2.51.10.000100	Clip Piston Pin	2
40	2.51.08.005400	Piston	2
41	2.51.09.000100	Piston Pin	1
42	2.63.01.01754	Drain Plug Bolt, M10*15*1.25	2
43	2.63.01.00497	Aluminum Washer, 10*15*2mm	2
44	2.51.01.030009	Crankcase	1
45	2.62.02.127167	Ignitor Bushing	2
46	2.53.02.009669	Igniter	1
47	2.63.01.02017	Hexagonal Flange Bolt M6*45	2
48	2.51.17.000100	Oil Seal	1
49	2.52.07.006400	Undercover	1
50	2.63.01.01750	Hexagonal Flange Bolt /M6*20	1
51	2.51.04.002900	One-Way Valve	1
52	2.63.01.00329	Locating Pin	2
53	2.80.04.000147	Stator	1
54	2.63.01.02547	Hexagonal Flange Bolt /M6*60	4
55	2.56.03.069030	Rotor	1
56	2.52.04.003900	Cooling Fan	1
57	2.52.03.005033	Starting Cup	1
58	2.62.01.003000	Wire Clips	3
59	2.52.01.210015	Windshield	1
60	2.52.01.210048-6	Starter Recoil Assembly	1
61	2.62.01.018606	Cabinet Plug Block	1
62	2.67.01.000346	Deep Groove Ball Bearing	2
63	2.51.04.000100	Oil Level Sensor	1
64	2.63.01.00299	Hexagonal Flange Nut /M14*1.5	1
65	2.51.15.070800-1	Crankshaft	1
66	2.51.16.007600	Camshaft	1
67	2.50.07.002500	Valve Push Rod	2
68	2.50.08.000200	Poles	2
69	2.60.01.005700	Valve Tappet	1
70	2.63.01.00404	Locating Pin/8*14	2
71	2.51.06.000400	Dipstick	1
72	2.51.05.011034	Crankcase Cover	1
73	2.63.01.04012	Hexagonal Flange Bolt /M8*32	7