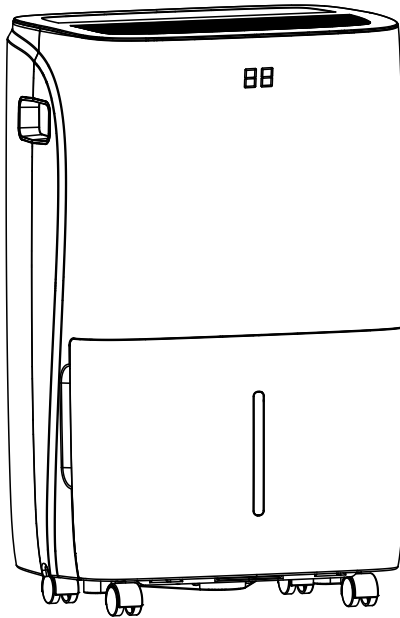


PORTABLE DEMIDIFIER



Model No.: D025D-25Pt3 D025D-35Pt3
Item No.: 75025EDE0 75025EDE1

Model No.: D026D-50Pt3
Item No.: 75026EDE0

Please keep this manual carefully for further reference!

Thank you for selecting our dehumidifier. Be sure to read this manual carefully before using it. If you encounter any questions, please contact the professional service for help.



Scan the QR code to watch the product videos.



Web: www.electactishop.com



Email: service@electactishop.com

CONTENTS

SAFETY INFORMATION

General Safety Instructions	1
Grounding Instructions	3
Power Supply Cord	3

PRODUCT OVERVIEW	4
------------------------	---

BEFORE FIRST USE

Positioning the Unit	5
Using the Unit	5

OPERATION INSTRUCTIONS

Control Panel	6
Other Features	7

CLEANING & MAINTENANCE

Draining the Collected Water	8
Cleaning the Dehumidifier	10
Storing the Dehumidifier	11

TROUBLESHOOTING	12
-----------------------	----

SAFETY INSTRUCTIONS

DANGER

DANGER—Immediate hazards which **WILL** result in severe personal injury or death

WARNING

WARNING—Hazards or unsafe practices which **COULD** result in severe personal injury or death

CAUTION

CAUTION—Hazards or unsafe practices which **COULD** result in minor personal injury

WARNING



When using electrical appliances, basic safety precautions should be followed, including the following

General Safety Instructions

- Follow local grid interconnection rules while installing the dehumidifier and ensure that it is properly grounded. If you have any questions on electrical installation, follow the instructions of the manufacturer, and if necessary, ask a professional electrician to install it.
- Do not install and use the dehumidifier in the bathroom or other humid environments.
- Place the machine in a flat and dry place and keep a distance of above 19.7 inches between the machine and the surrounding objects or walls.
- When drainage pipes are installed, ensure that the drainage pipes are properly connected, and are not distorted or bent.
- Keep the air inlet and outlet free from obstructions.
- Do not put any object into the air inlet and outlet of the dehumidifier.
- All working procedures that affects safety means shall only be carried out by competent persons. Examples for such working procedures are:
 - breaking into the refrigerating circuit;
 - opening of sealed components;
 - opening of ventilated enclosures.
- The dehumidifier is only suitable for indoor use, and is not suitable for other applications.
- While adjusting the upper and lower wind-guide strips of the air outlet, pluck it with hands gently to avoid damaging wind-guide strips.
- When moving the machine, make sure that it is in an upright position.
- The machine should stay away from gasoline, flammable gas, stoves and other heat sources.
- Don't disassemble, overhaul and modify the machine arbitrarily, otherwise it will cause a machine malfunction or even bring harm to persons and properties. To avoid danger, if a machine failure occurs, ask the manufacturer or professionals to repair it.
- Do not pull the plug to turn off the machine.
- Do not place cups or other objects on the body to prevent water or other liquids from spilling into the dehumidifier.

SAFETY INSTRUCTIONS

- Do not use insecticide sprays or other flammable substances near the dehumidifier.
- Do not wipe or wash the dehumidifier with chemical solvents such as gasoline and alcohol. When you need to clean the dehumidifier, you must disconnect the power supply, and clean it with a half-wet soft cloth. If the machine is really dirty, scrub with a mild detergent.
- Children shall not play with the appliance. Cleaning and maintenance shall not be made by children without supervision.
- If the supply cord is damaged, it must be replaced by the manufacturer, its service agent or similarly qualified persons in order to avoid a hazard.
- The appliance shall be stored so as to prevent mechanical damage from occurring.
- Plug into a grounded 3-prong outlet.
- Do not use an extension cord.
- Do not remove ground prong.
- Do not use an electrical adapter.
- Unplug the dehumidifier before servicing.

	<p>WARNING</p> <ul style="list-style-type: none">• Do not use means to accelerate the defrosting process or to clean, other than those recommended by the manufacturer.• The appliance shall be stored in a room without continuously operating ignition sources (for example: open flames, an operating gas appliance or an operating electric heater).• Do not pierce or burn.• Be aware that refrigerants may not contain an odour.
<p>A2L</p> 	<p>VERTISSEMENT</p> <ul style="list-style-type: none">• Ne pas utiliser de produits permettant d'accélérer le dégel ou de produits de nettoyage autres que ceux recommandés par le fabricant.• L'appareil doit être entreposé dans un endroit sans source d'allumage fonctionnant en continu (par exemple : flamme nue, appareil au gaz en marche ou radiateur électrique en marche).• Ne pas percer ni brûler.• Attention : les frigorigènes peuvent être inodores.

SAFETY INSTRUCTIONS

Grounding Instructions

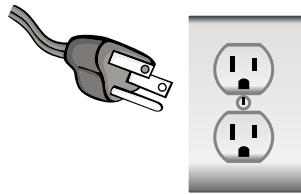
⚠ DANGER – IMPROPER CONNECTION OF THE EQUIPMENT-GROUNDING CONDUCTOR CAN RESULT IN A RISK OF ELECTRIC SHOCK.

The equipment-grounding conductor has green insulation, which may include one or more yellow stripes.

If repair or replacement of the power cord or plug is necessary, do not connect the equipment-grounding conductor to a live (current-carrying) terminal.

Do not modify the plug. If it does not fit the outlet, have a qualified electrician install a proper outlet. Consult a qualified electrician or service technician if you do not fully understand the grounding instructions, or if you are unsure whether the appliance is properly grounded.

The appliance is for use on a nominal 115V circuit and should be connected to a grounding outlet that looks like the one illustrated to the right. The use of a temporary adaptor is not recommended.

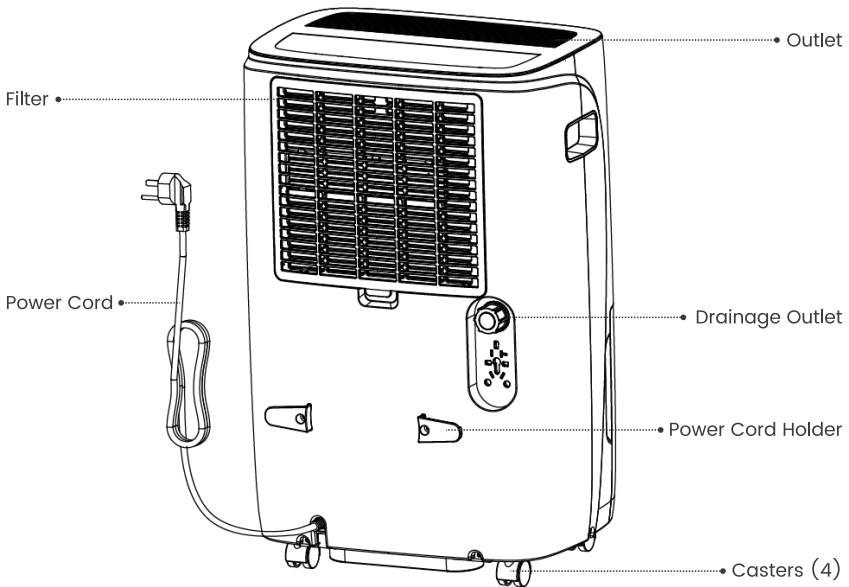
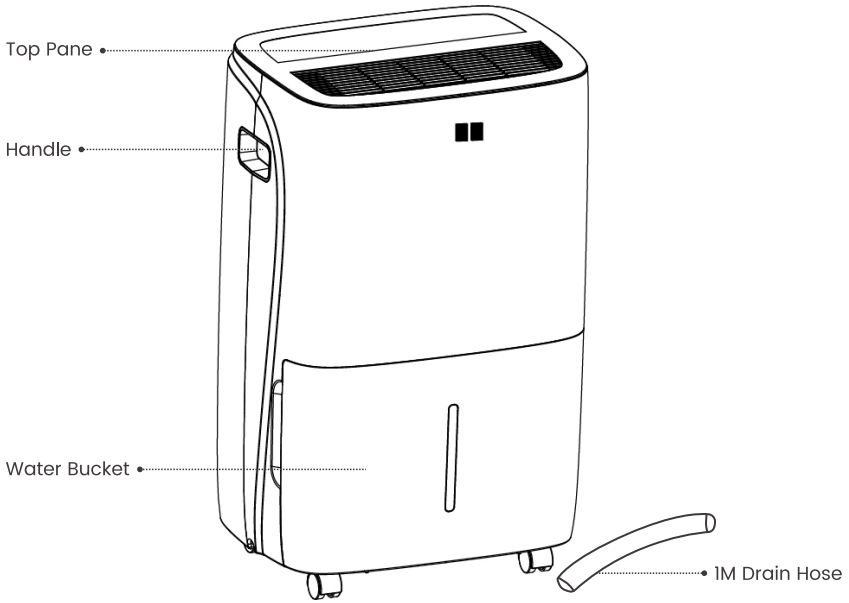


Power Supply Cord

Extreme care must be exercised with the use of an extension cord:

- a) Use only a grounding type 3-wire extension cord that has a 3-blade grounding plug and a 3-slot receptacle that will accept the plug on the appliance.
- b) The marked electrical rating of the cord set or extension cord must be equal to or greater than the electrical rating of the appliance. The longer cord should be arranged so that it will not drape over the counter top or table top where it can be pulled on by children or tripped over unintentionally.

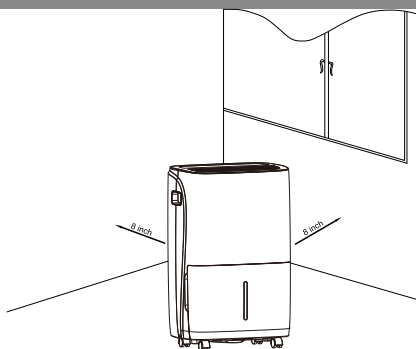
PRODUCT OVERVIEW



BEFORE FIRST USE

Positioning the Unit

- Do not force casters to move over the carpet.
- Do not move the unit with water in the bucket. The unit may tip over and water may spill.
- Do not use outdoors.
- This dehumidifier is intended for indoor residential applications only. This dehumidifier should not be used for commercial or industrial applications.
- Place the dehumidifier on a smooth, level floor strong enough to support the unit with a full bucket of water.
- Allow at least 8 inches of air space on all sides of the unit for good air circulation (at least 16 inches of air space on air outlet).
- Place the unit in an area where the temperature will not fall below 41 ° F. The coils can become covered with frost at temperatures below 41 ° F, which may reduce performance.
- Place the unit away from the clothes dryer, heater or radiator.
- Use the unit to prevent moisture damage anywhere books or valuables are stored.
- Use the unit to prevent moisture damage anywhere books or valuables are stored.

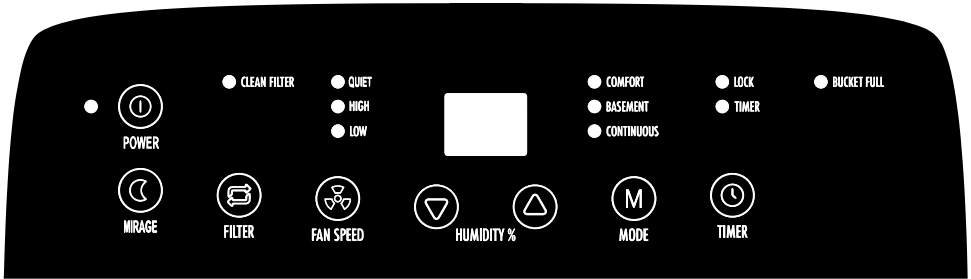


Using the Unit

- When first using the dehumidifier, operate the unit continuously for 24 hours. Make sure the plastic cover on the continuous drain hose outlet is installed properly so there are no leaks.
- This unit is designed to operate with a working environment between 41 ° F and 90 ° F, and between 35% to 80% relative humidity.
- If the unit is turned off and needs to be restarted, allow approximately three minutes for it to resume correct operation.
- Do not connect the dehumidifier to a multiple socket outlet, which is also being used for other electrical appliances.
- Select a suitable location, making sure you have easy access to an electrical outlet into an electrical socket.
- Plug the unit into an electrical socket outlet.
- Make sure the water bucket is correctly fitted otherwise the unit will not operate properly.

OPERATION INSTRUCTIONS

Control Panel



1. POWER

The Power display remains on during operation. In STANDBY mode, the display activates for 3 seconds before turning off, leaving only the Power indicator illuminated. The default operating mode is set to 40% RH at the quiet fan speed.

During auto mode or any other operating mode, the unit will automatically turn off and enter STANDBY mode. When resumed from STANDBY, the unit will return to its previous mode, fan speed, and humidity settings.

2. MIRAGE

A backlit display on the front of the dehumidifier shows the current room humidity level, making it easy to read from across the room. Press the "MIRAGE" button to turn on the mode; press it again to turn it off.

3. FILTER

Reset the "Filter" button:

After the dehumidifier starts up and runs for 250 hrs. The indicator light for cleaning the filter will be on. Refer to CLEANING & MAINTENANCE section for filter cleaning instructions. After the filter has been cleaned, press the FILTER button to remove the indicator light and reset the timer.

4. FAN SPEED

Press "FAN SPEED" button as follows:

When the fan speed needs to be adjusted, press the fan speed button to adjust the Quiet, Low and High fan speed. When the corresponding indicator light is on, the current speed has been set.

5. "UP" and "DOWN"

Press "UP" and "DOWN" to enter the Auto dehumidification operation. The humidity is set to 35%-- 80%, with 5%RH added and decreased each time.

6. MODE

Press the "MODE" button to cycle through the following preset options: Comfort Space (50% RH), Basement (45% RH) and Continuous. The indicator light for the selected mode will be on.

7. TIMER

OPERATION INSTRUCTIONS

Press "Timer" button to set the timer up to 24 hours.

- (1) In STANDBY mode, press the Timer button to set the startup function. The Timer light will be on, and the display will initially display "0.5". Press "UP" and "DOWN" to adjust the time. The timer indicator is on when the timer function is active. Press the Timer button again to cancel the timing function.
- (2) In operating mode, press the Timer button to set the shutdown function. The Timer light will be on, and the display will initially display "0.5". Press "UP" and "DOWN" to adjust the time.
- (3) The range of time setting is 0.5h-24h. Press "UP" and "DOWN" to adjust $\pm 0.5h$ between 0.5h-10h, while $\pm 1h$ between 10h-24h.



The indicator shows humidity and time.

1. Humidity Level : It displays different values based on the environment or settings: the current room humidity, the selected target humidity, or a fixed value of "20" or "90" if the ambient humidity falls below 20% or exceeds 90%, respectively.

2. Time Display: When programming the unit's automatic turn-on and turn-off timer, the indicator switches to display the number of hours set for the schedule.

Other Features

Bucket Full Light

When the water bucket is full, the unit will shut off automatically, make a beeping sound and the BUCKET FULL indicator will light up. The dehumidifier will not run again until the bucket is emptied and properly placed back inside the unit.

Auto Shut-Off

The dehumidifier shuts off when the bucket is full, or when the bucket is removed or is not positioned correctly. The fan motor will continue to run for 3 minutes. Wait 3 minutes before attempting to restart operation. This is to protect the unit. The unit will often resume operation automatically after this 3-minute period.

Auto-Restart

If the unit turns off unexpectedly due to a power outage, it will automatically restart and resume its previous function settings when the power resumes.

Child Lock Function

Press and hold the Timer button for 3 seconds to activate the child lock. The lock indicator light will turn on, and all other buttons will be disabled. Press and hold the Timer button again for 3 seconds to deactivate the child lock.

CLEANING & MAINTENANCE

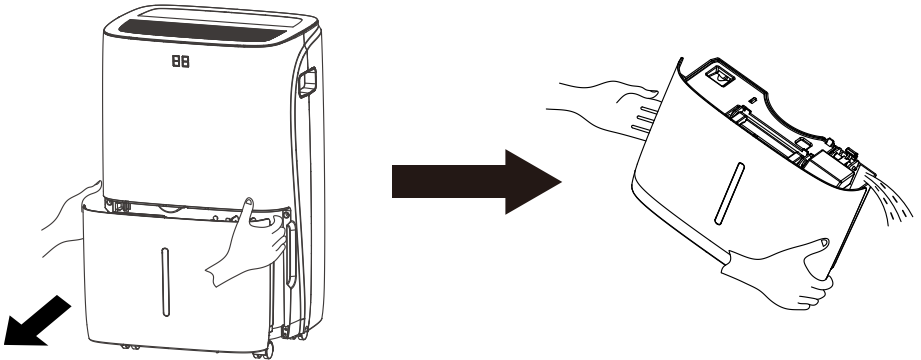
⚠ CAUTION – Turn the dehumidifier off and remove the plug from the wall outlet before cleaning.

Draining the Collected Water

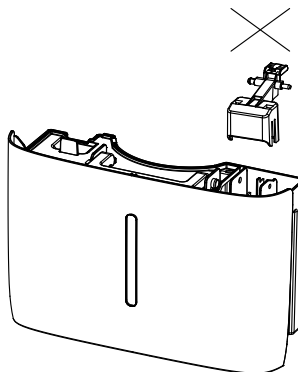
Option 1: Water Bucket

When the water Bucket is full, the bucket full indicator light will turn on, the operation will stop automatically and the buzzer will sound to alert the user, that the water needs to be emptied from the bucket.

1. Lightly press on the sides of the bucket with both hands and pull the bucket out gently.
2. Discard the collected water.



NOTE: Do not remove the float from the water bucket. The water full sensor will no longer be able to detect the water level correctly without the float and water may leak from the water bucket.



CLEANING & MAINTENANCE

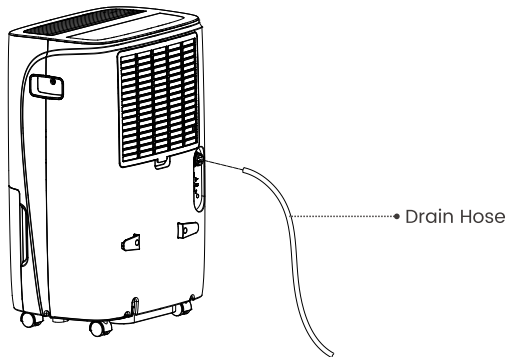
3. When replacing the water bucket, press the bucket firmly into place with both hands. If the bucket is not positioned properly, the "BUCKET FULL" indicator will still be on, and the dehumidifier will not operate.

NOTE:

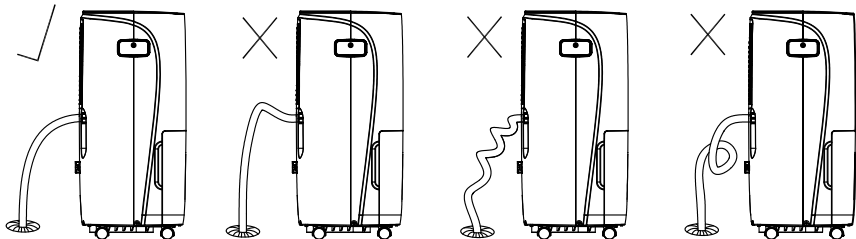
Placing the dehumidifier on an uneven surface or installing the hose improperly may cause the bucket to fill with water and trigger a unit shut-off. If this happens, empty the bucket and then check the unit's location and hose installation to ensure they are correct. The bucket must be in place and securely seated for the dehumidifier to operate.

Option 2: Continuous drainage

- (1) Unscrew the drainage outlet cover on the back of the machine.
- (2) Insert the drain hose (included) and make sure the hose is securely attached to prevent leaks. The dehumidifier will then continuously drain water.



The drain hose must be installed straight and without kinks. Ensure the hose is not sharply bent, twisted, or elevated above the water outlet. The path of the hose must remain clear and unobstructed. Do not use extension tubes or replace the provided hose with a different type.



CLEANING & MAINTENANCE

Cleaning the Dehumidifier

To Clean the Body

Wipe it with a soft damp cloth.

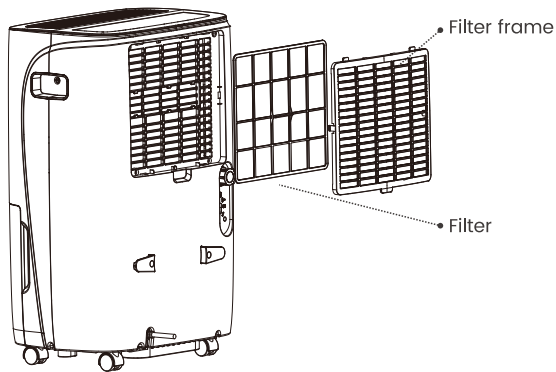
To Clean the Water Bucket

Clean the water bucket every few weeks with cold or lukewarm water to prevent mold and bacteria. Avoid all detergents, solvents, and abrasive tools to prevent damage and leakage. Rinse by swishing water inside, then empty and rinse. Do not dishwasher-clean, and always replace the bucket securely after cleaning.

To Clean the Air Filter

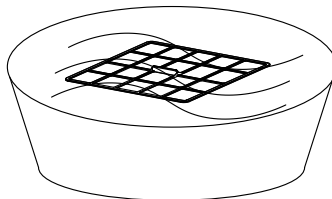
(Remove the filter every two weeks based on normal operating conditions.)

1. Take out the filter frame first and wash with water.



2. Clean the filter

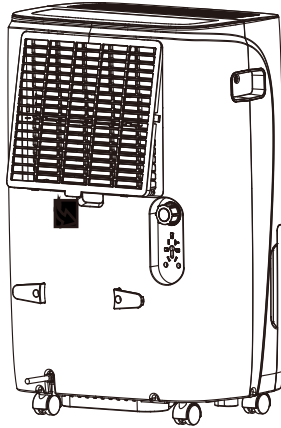
Use a vacuum cleaner to gently absorb the dust on the surface of the filter. If the filter is very dirty, wipe it with warm water and a soft cleaner and dry it completely.



CLEANING & MAINTENANCE

3. Attach the filter

Insert the filter and the filter frame back on correctly.



⚠ CAUTION : DO NOT operate the dehumidifier without a filter because dirt and lint will clog it and reduce performance. Unit should be turned off and unplugged to clean filter.

Storing the Dehumidifier

WHEN NOT USING THE UNIT FOR LONG TIME PERIODS

- After turning off the unit, wait one day before emptying the bucket.
- Clean the main unit, water bucket and air filter.
- Wrap the cord around the power cord holder.
- Cover the unit with a plastic bag.
- Store the unit upright in a dry, well-ventilated place.

TROUBLESHOOTING

BEFORE YOU CALL FOR SERVICE

IF THE APPLIANCE FAILS TO OPERATE:

- A) Check to make sure that the dehumidifier is plugged in securely. If it is not, remove the plug from the outlet, wait 10 seconds and plug it in again securely.
- B) Check for a blown circuit fuse or a tripped main circuit breaker. If these seem to be operating properly, test the outlet with another appliance.

IF NONE OF THE ABOVE SOLVES THE PROBLEM, CONTACT A QUALIFIED TECHNICIAN. DO NOT TRY TO ADJUST OR REPAIR THE APPLIANCE YOURSELF.

Troubleshoot your problem by using the chart below. If the dehumidifier still does not work properly, contact our customer service center or the nearest authorized service center. Customers must never troubleshoot internal components

Problem	Possible Cause	Solutio
The unit doesn't operate	Has the power cord been disconnected?	Plug the power cord into the outlet.
	Is the bucket full indication lamp blinking? (The bucket is full or in a wrong position.)	Empty the water in the drainage bucket and then reposition the bucket.
	Is the temperature of the room above 95°F (35°C) or below 44.6°F (7°C)?	The protection device is activated and the unit cannot be started.
The dehumidifying function doesn't work	Is the air filter clogged?	Clean the air filter as instructed under "Cleaning the dehumidifier".
	Is the intake duct or discharge duct obstructed?	Remove the obstruction from the discharge duct or intake duct.
No air is discharged	Is the air filter clogged?	Clean the air filter as instructed under "Cleaning the dehumidifier".

TROUBLESHOOTING

Problem	Possible Cause	Solutio
Operation is noisy	Is the unit tilted or unsteady?	Move the unit to a stable, sturdy location.
	Is the air filter clogged?	Clean the air filter as instructed under "Cleaning the dehumidifier".
"E1" Error Code	Abnormal exhaust pipe temperature sensor	There may be an issue with the exhaust pipe temperature sensor and related circuit. Contact Customer Service at 855-855-0294.
"E2" Error Code	Coil temperature sensor abnormal	There may be an issue with the coil temperature sensor and related circuit. Contact Customer Service at 855-855-0294.
"E3" Error Code	Humidity sensor anomaly	There may be an issue with the PCB or the related circuit of the display panel. Contact Customer Service at 855-855-0294.
"E4" Error Code	Connecting line fault	There may be an issue with the display panel or the related circuit of the display panel. Contact Customer Service at 855-855-0294.
"E5" Error Code	Detection line fault	There may be a problem with the wiring. Contact Customer Service at 855-855-0294.
"EH" Error Code	Humidity sensor anomaly	There may be a problem with the humidity sensor related circuit. Contact Customer Service at 855-855-0294.

DISPOSAL

WARNING: Releasing refrigerant into atmosphere is strictly forbidden!



Do not dispose of electrical appliances as unsorted municipal waste, use separate collection facilities. Contact your local government for information regarding the collection systems available. If electrical appliances are disposed of in landfills or dumps, hazardous substances can leak into the groundwater and get into the food chain, damaging your health and well-being.

ROWAN ELECTRIC APPLIANCE LLC

8:30am-5:30pm P.S.T.
Monday to Friday