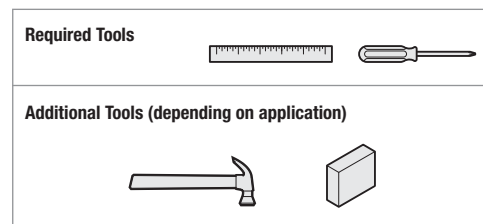


SMARTCODE 916

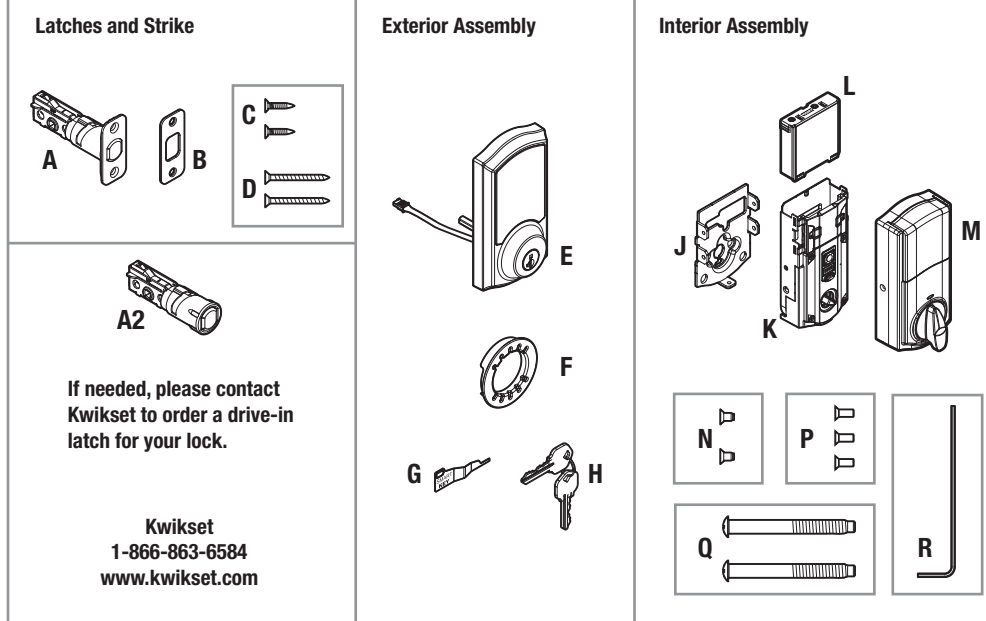
TOUCHSCREEN ELECTRONIC DEADBOLT

Installation Guide

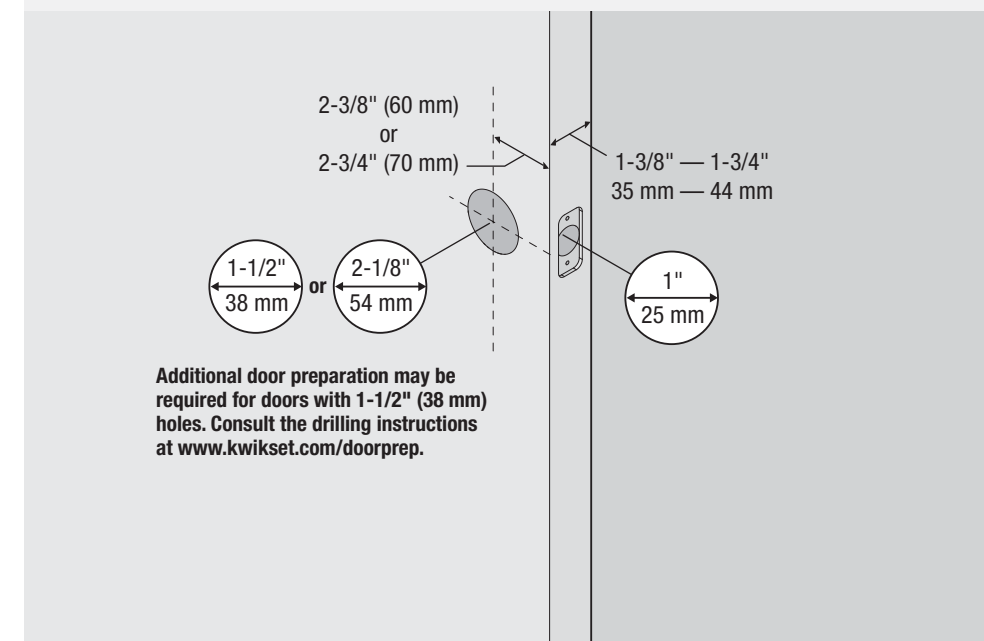


Use and programming instructions are located on the reverse side of this document.

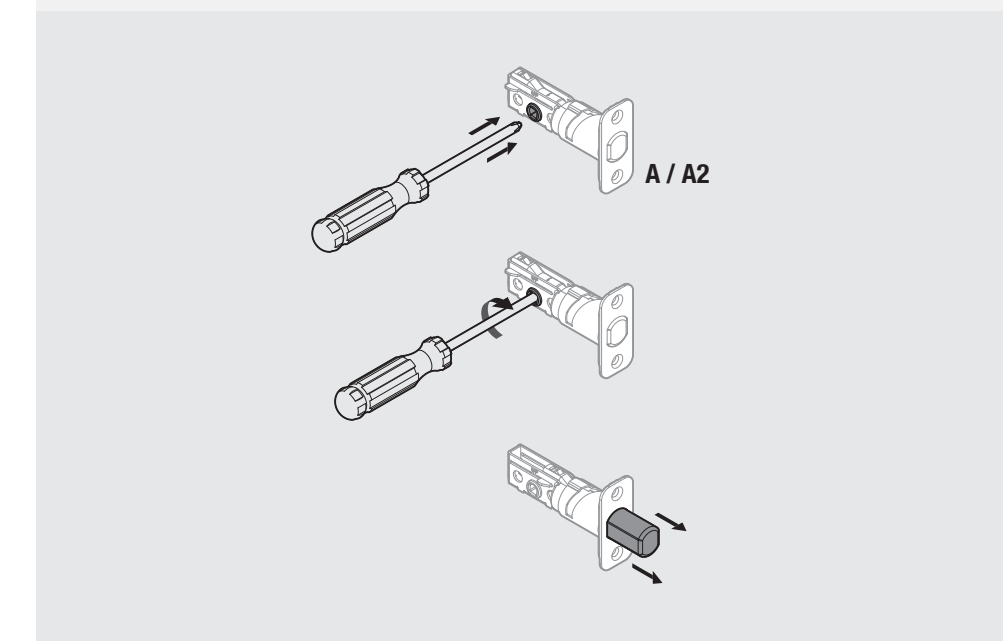
Parts in the Box



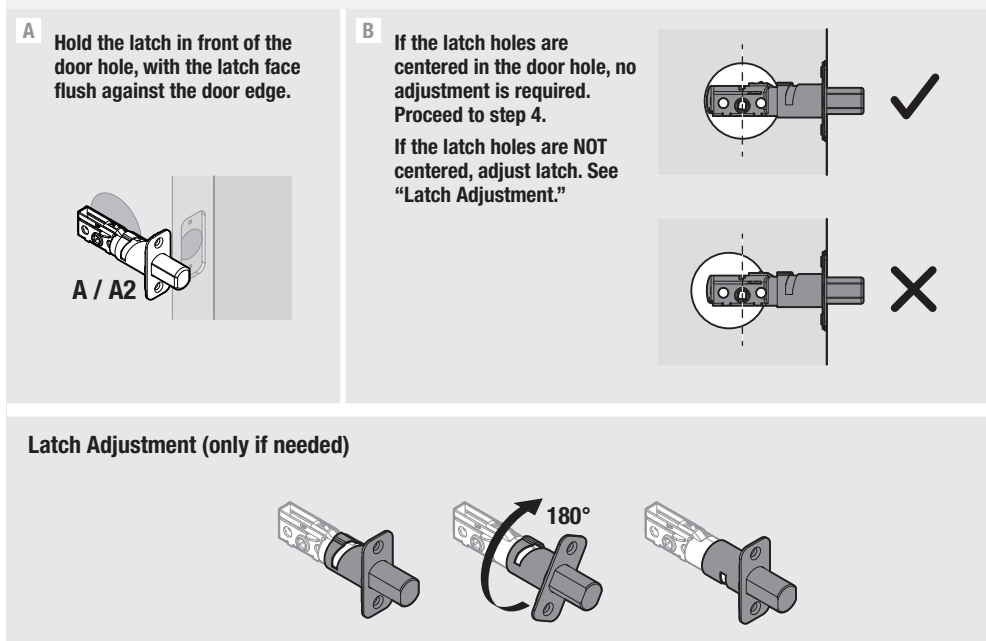
1 Check dimensions



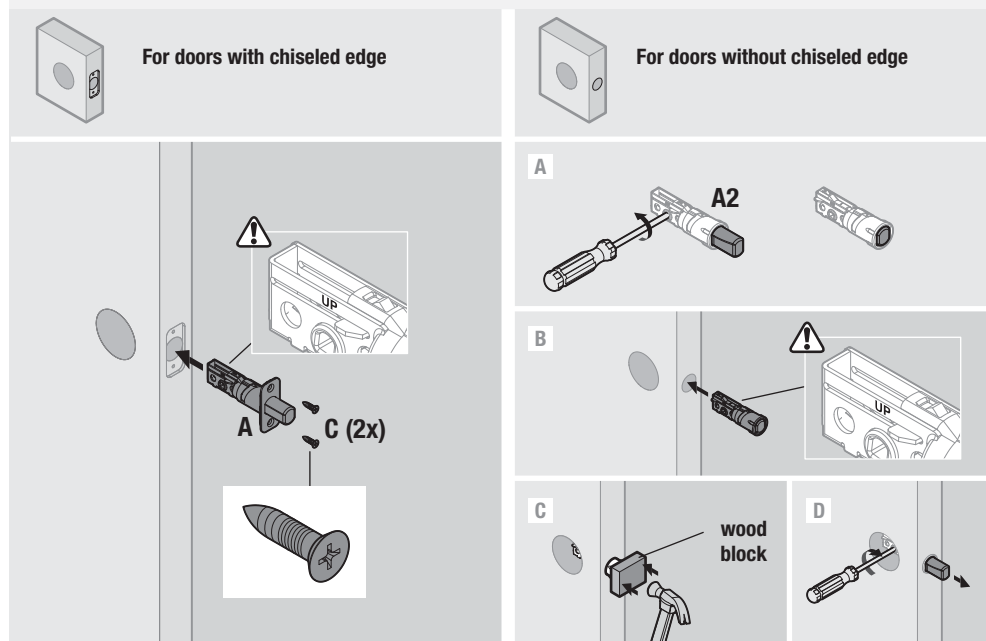
2 Extend latch bolt



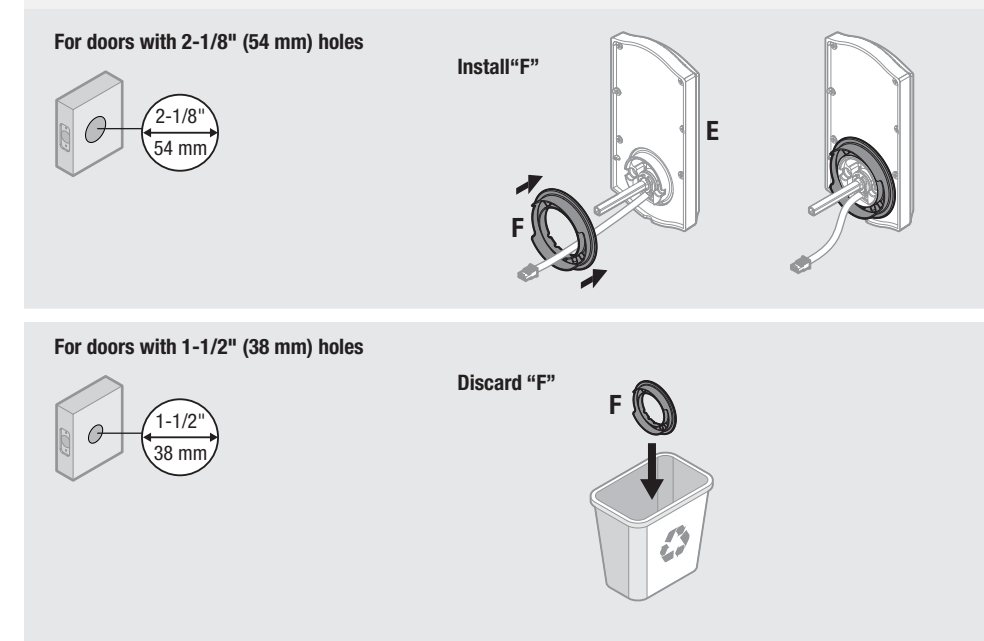
3 Adjust the backset of latch (if needed)



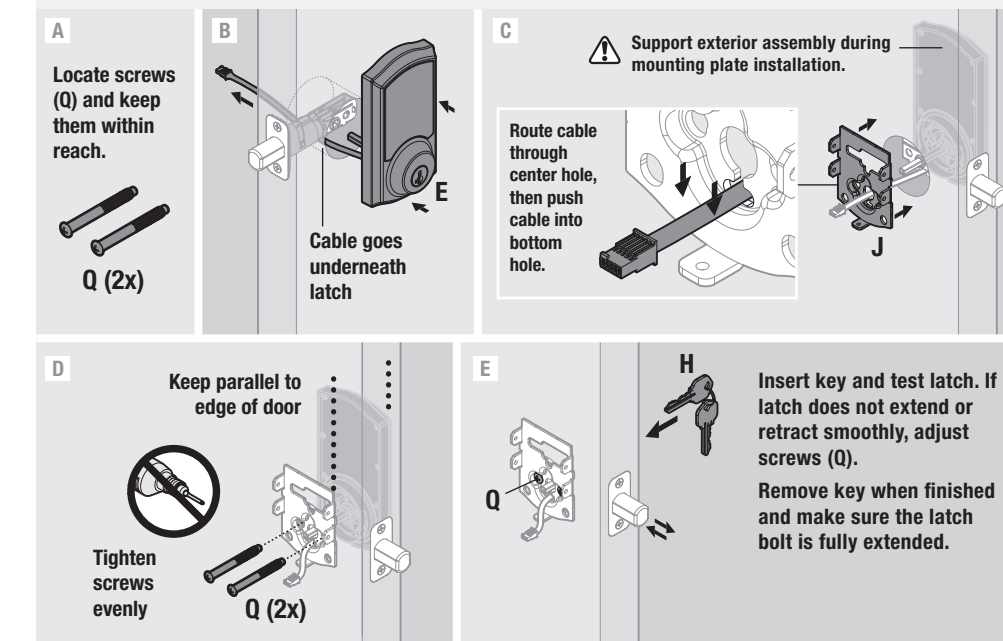
4 Install latch



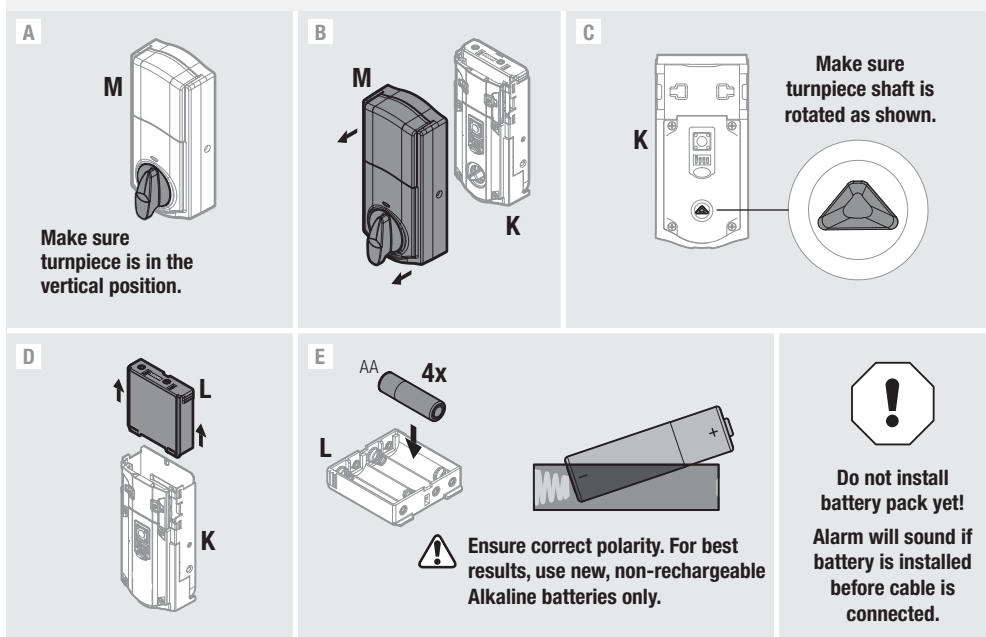
5 Prepare exterior keypad



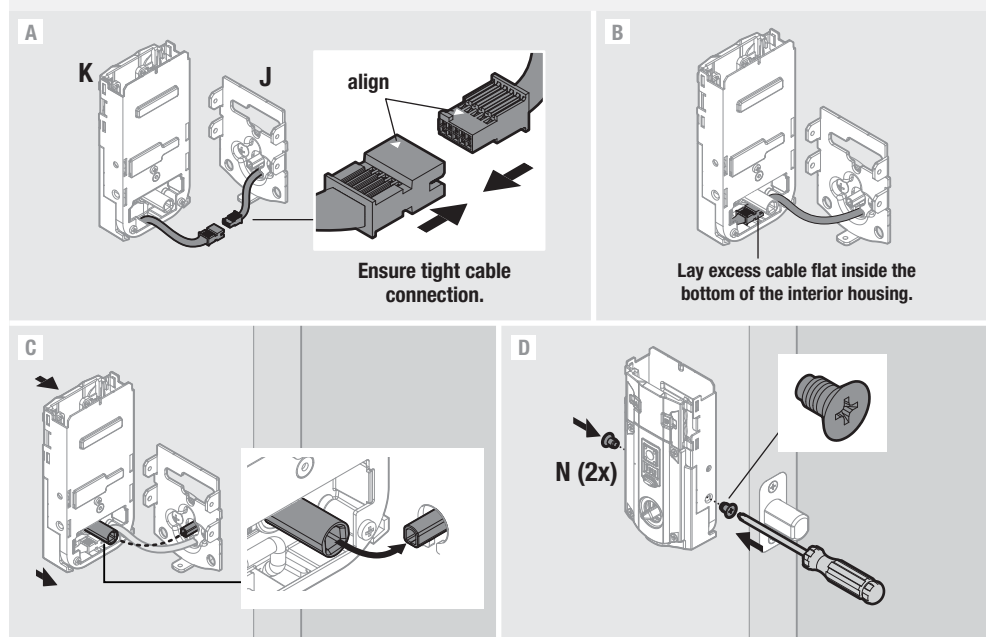
6 Install keypad and mounting plate



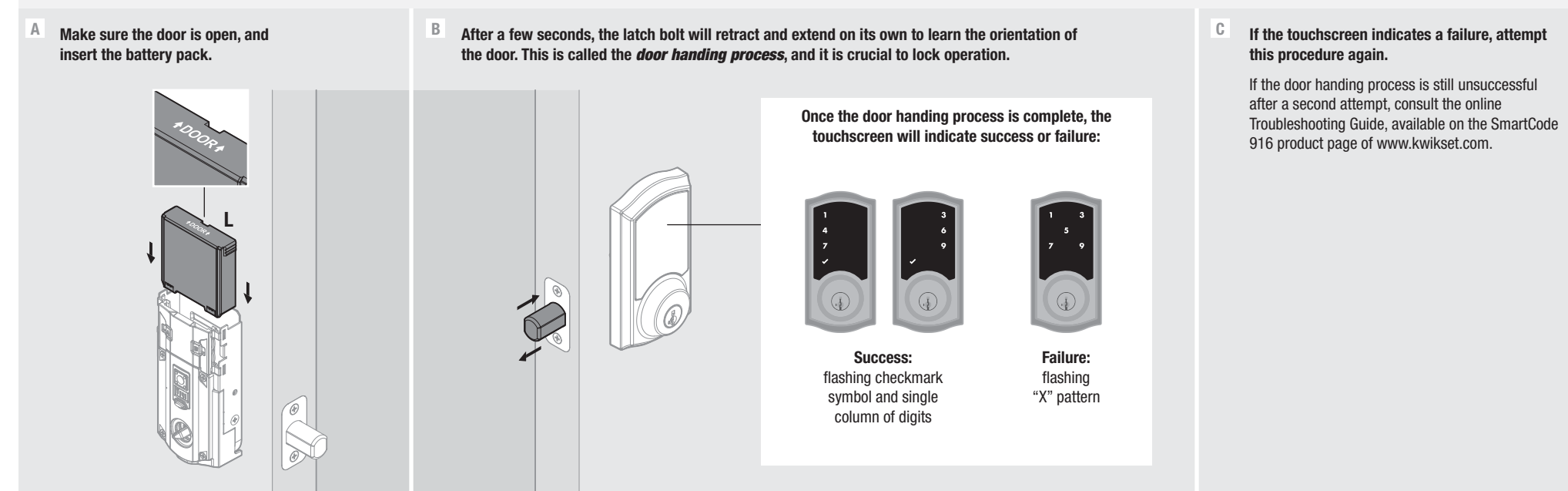
7 Disassemble interior assembly and load battery pack



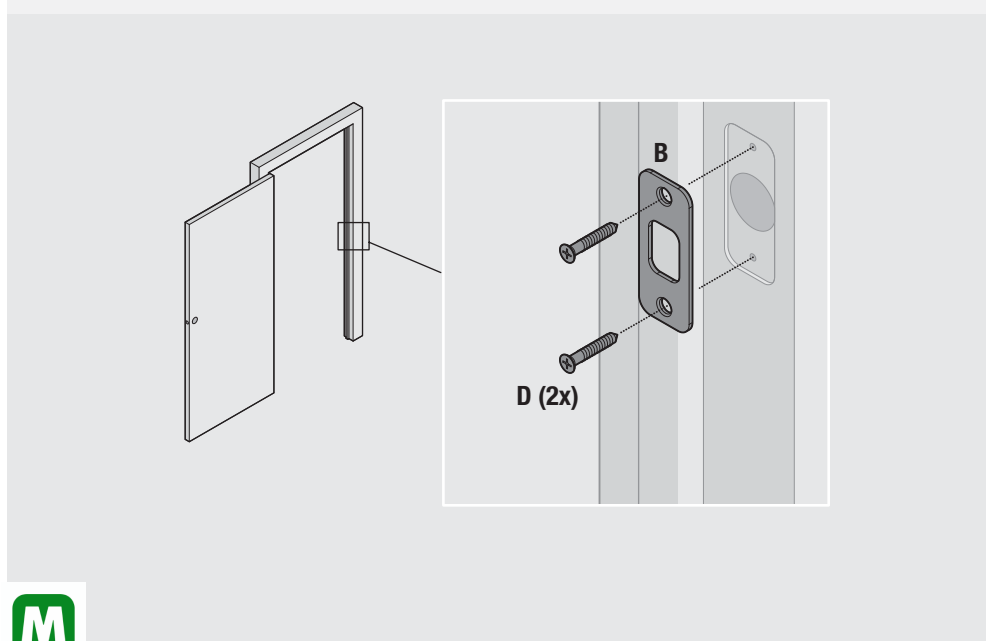
8 Install interior assembly



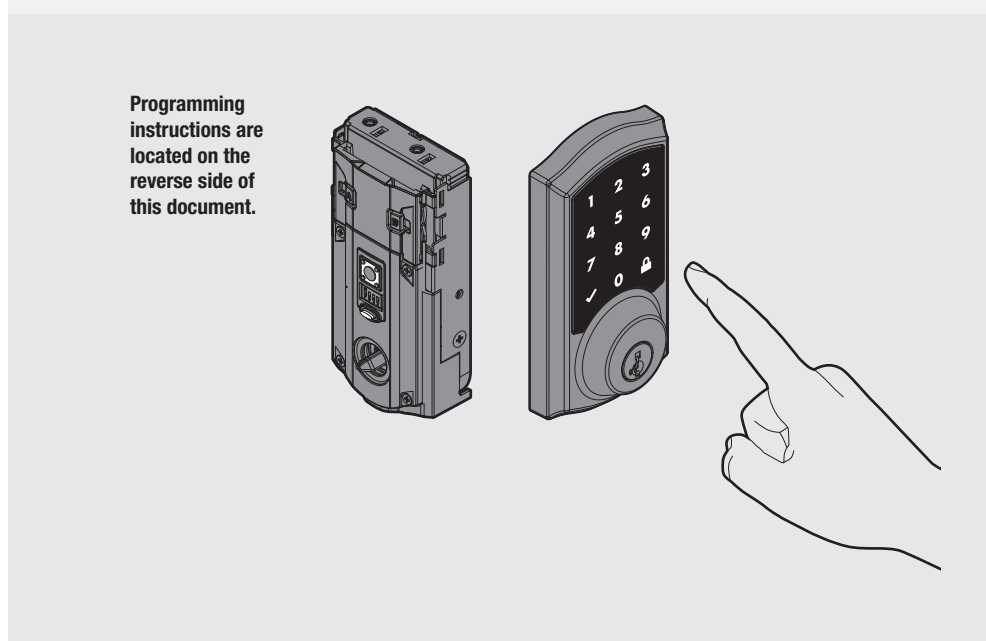
9 Install battery pack and perform door handing process



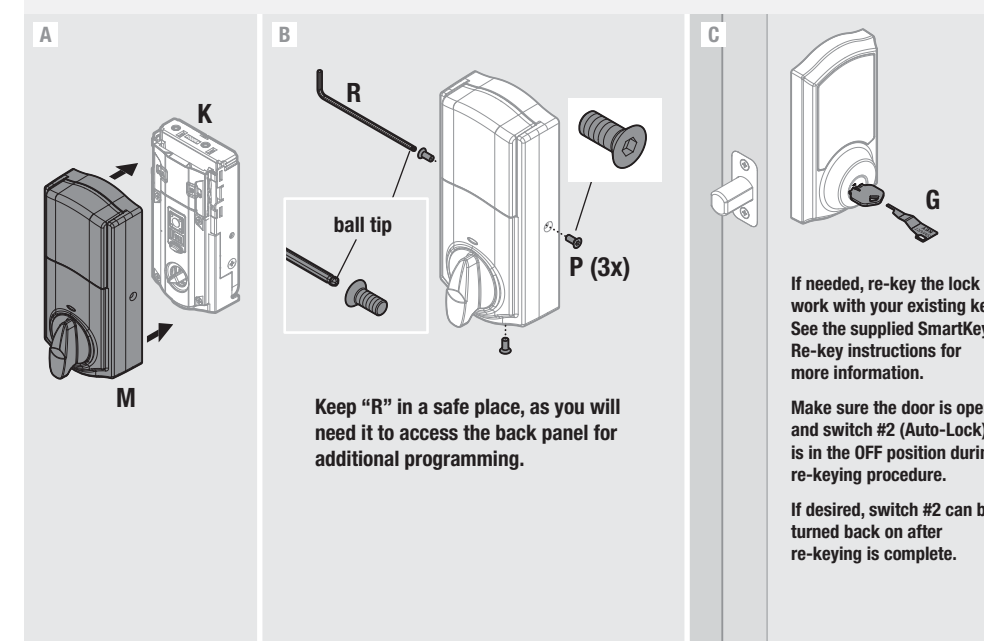
10 Install strike



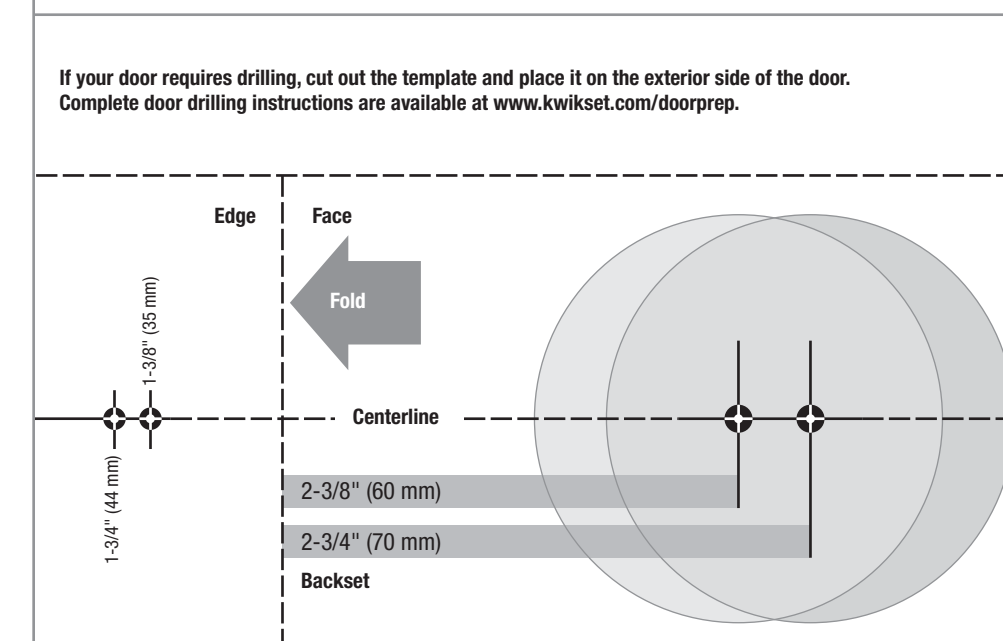
11 Program the lock



12 Install the battery cover and re-key the lock



Template



SMARTCODE 916

TOUCHSCREEN ELECTRONIC DEADBOLT

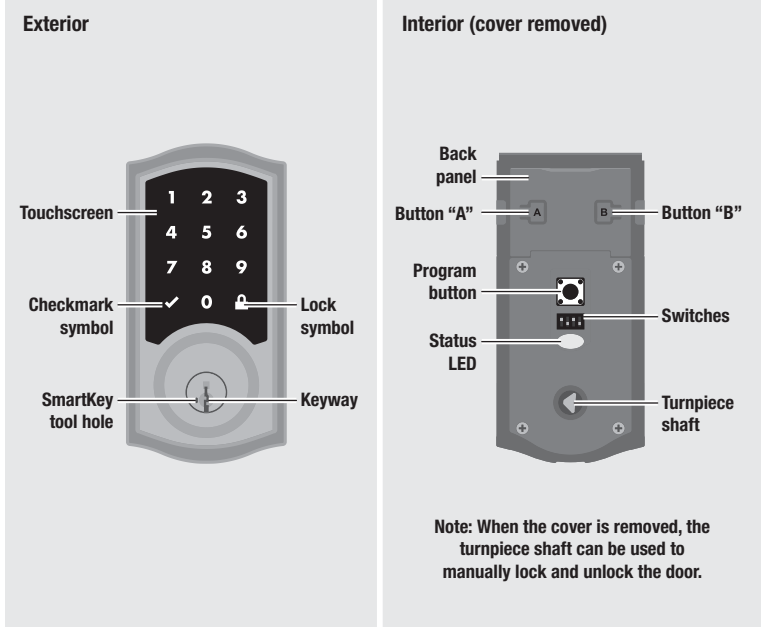
User Guide

Kwikset
1-866-863-6584
www.kwikset.com

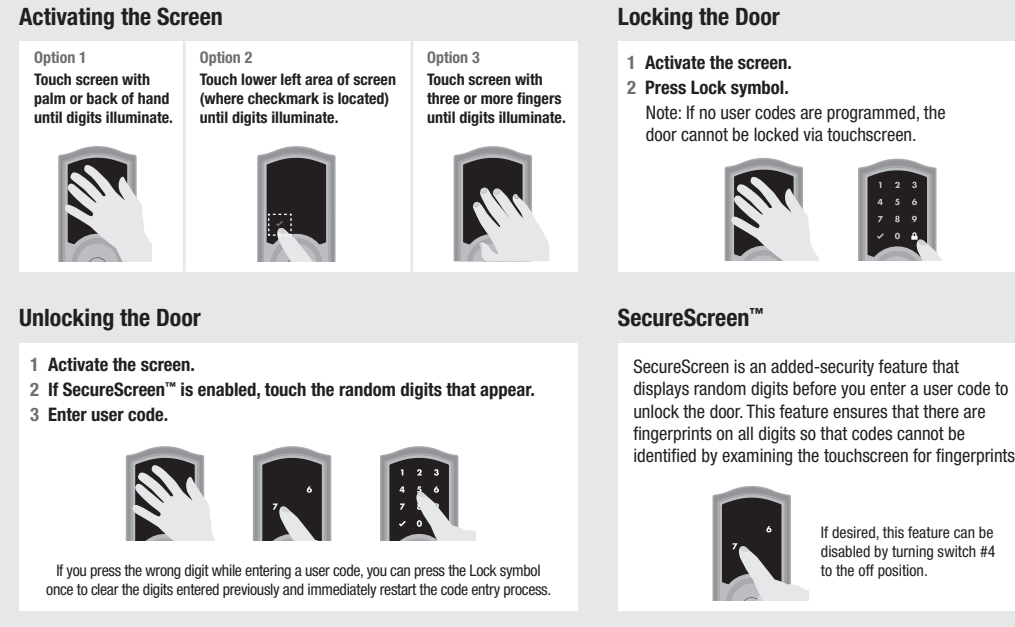
Troubleshooting and FAQs are available on the SmartCode 916 product page online at www.kwikset.com.

Installation instructions are located on the reverse side of this document.

A SmartCode at a Glance



B Normal Operation



C Z-Wave & ZigBee Systems

Lock Inclusion
"Inclusion" refers to the process in which the lock is added to a Z-Wave or ZigBee controller. Initiate the Inclusion process at your ZigBee or Z-Wave controller. Refer to your control system instructions for more information.

Inclusion Troubleshooting
If inclusion is unsuccessful, perform the Exclusion process. Then repeat the Inclusion process. If inclusion is still unsuccessful, consult the online Troubleshooting Guide, available on the SmartCode 916 page of www.kwikset.com.

Lock Exclusion
"Exclusion" refers to the process in which the lock is removed from a Z-Wave or ZigBee controller. Initiate the Exclusion process at your Z-Wave or ZigBee controller. Refer to your control system instructions for more information.

Use the chart to determine which button to press during Inclusion and Exclusion.

| System | Inclusion | Exclusion |
|--------|------------------------------|------------------------------|
| Z-Wave | Press button "A" once. | Press button "A" once. |
| ZigBee | Press button "A" four times. | Press button "B" nine times. |

System Notes

Z-Wave
In order to fully utilize this product, you must have a Z-Wave controller compatible with door locks. Z-Wave is a "Wireless mesh network," and results may vary based on building construction and communication path, with 35+ feet being typical installed distance in a standard home environment and 250 feet+ when the lock has a clear line of sight with the network controller. It may be necessary to install additional Z-Wave beaming capable devices that can serve as repeaters to enhance the communication path between the lock and controller for a more robust Z-Wave network.

ZigBee
ZigBee is a "Wireless mesh network," and results may vary based on building construction and communication path, with 35+ feet being typical installed distance in a standard home environment and 250 feet+ when the lock has a clear line of sight with the network controller. It may be necessary to install additional ZigBee devices to enhance the communication path between the lock and controller for a more robust ZigBee network.

D Programming Codes

a Programming Information

It is recommended that you add and delete all user codes through your Z-Wave or ZigBee control system. If your system does not allow this, the following sections will provide instructions for how to add and delete codes at the lock.

User Codes Requirements

Each user code must be a unique code between 4 and 8 digits, depending on your control system. A total of 30 user codes may be programmed.

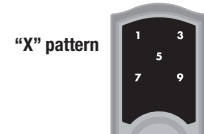
Programming Behavior

Successful Programming
The Checkmark symbol will illuminate and you will hear one beep*.



Unsuccessful Programming

The "X" pattern will flash three times, and you will hear three beeps*.



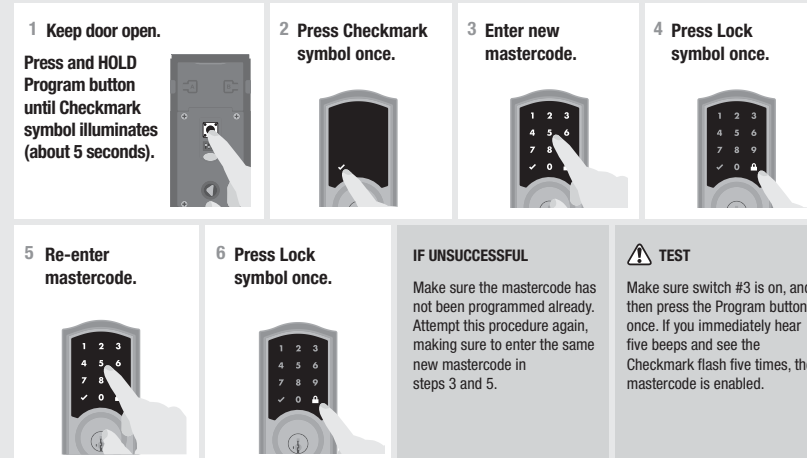
Programming Timeout

If the screen is not pressed for 20 seconds, the system will time out (indicated by three beeps* and the "X" pattern flashing three times), and you will need to restart the procedure.

*Beeping sound will only be heard if switch #3 is on.

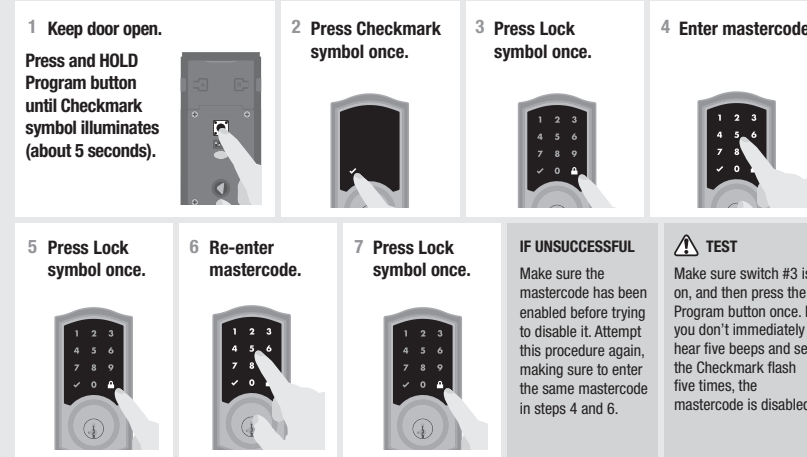
b Enabling and Adding a Mastercode (Optional for Enhanced Security)

User codes can be programmed with or without a mastercode. Using a mastercode is an optional, added-security measure. It is not enabled by default. A mastercode is used to add and delete user codes, but it cannot unlock the door (unless the same code is programmed as a user code, though this is not recommended). The mastercode must be 4-8 digits.



If the screen is not pressed for 20 seconds, the system will time out, and you will need to restart the procedure.

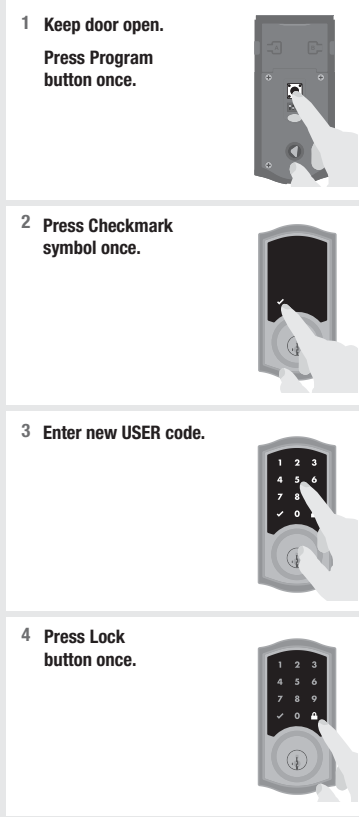
c Disabling and Deleting the Mastercode



If the screen is not pressed for 20 seconds, the system will time out, and you will need to restart the procedure.

d Adding User Codes

Mastercode NOT enabled:



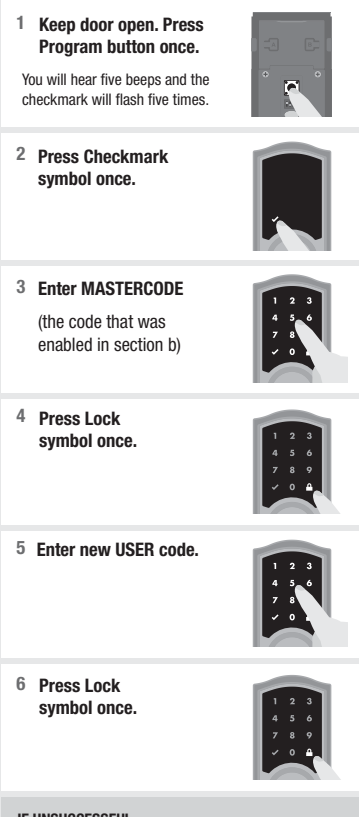
IF UNSUCCESSFUL: Make sure the user code not a duplicate and that it is between 4 and 8 digits during your next attempt.

Make sure the lock has room for an additional code. If all user code positions are filled, delete a code to make room for this one.

TEST CODE: While the door is open and locked, test the user code to make sure it unlocks the door.

If the screen is not pressed for 20 seconds, the system will time out, and you will need to restart the procedure.

Mastercode enabled:



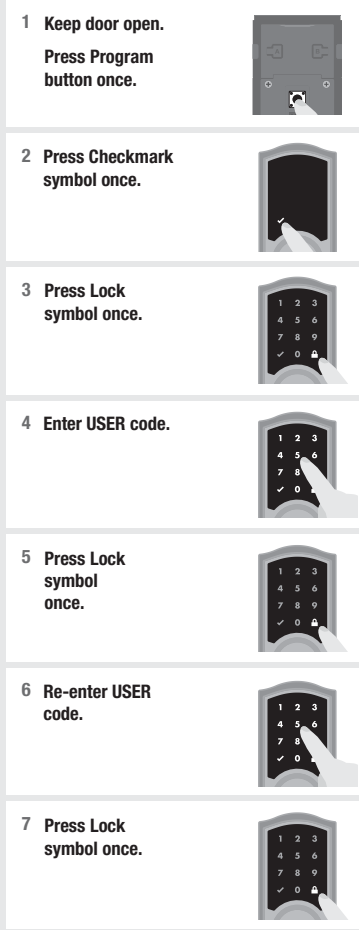
IF UNSUCCESSFUL: Make sure the user code not a duplicate and that it is between 4 and 8 digits during your next attempt.

Make sure the lock has room for an additional code. If all user code positions are filled, delete a code to make room for this one.

TEST CODE: While the door is open and locked, test the user code to make sure it no longer unlocks the door.

e Deleting a Single User Code

Mastercode NOT enabled:

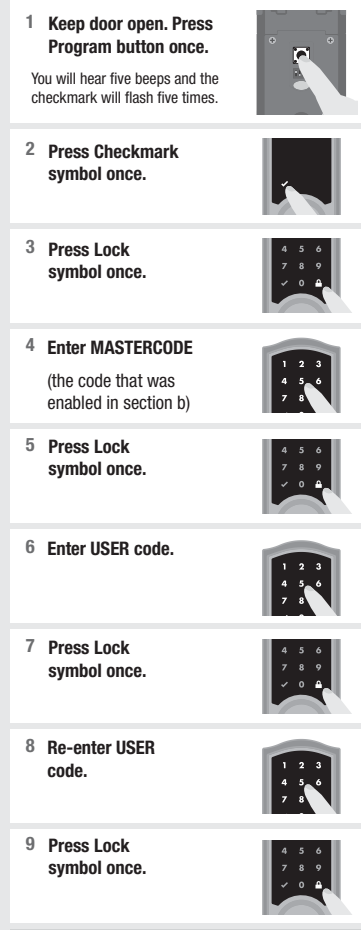


IF UNSUCCESSFUL: Make sure to enter the same valid code in steps 4 and 6.

TEST CODE: While the door is open and locked, test the user code to make sure it no longer unlocks the door.

If the screen is not pressed for 20 seconds, the system will time out, and you will need to restart the procedure.

Mastercode enabled:

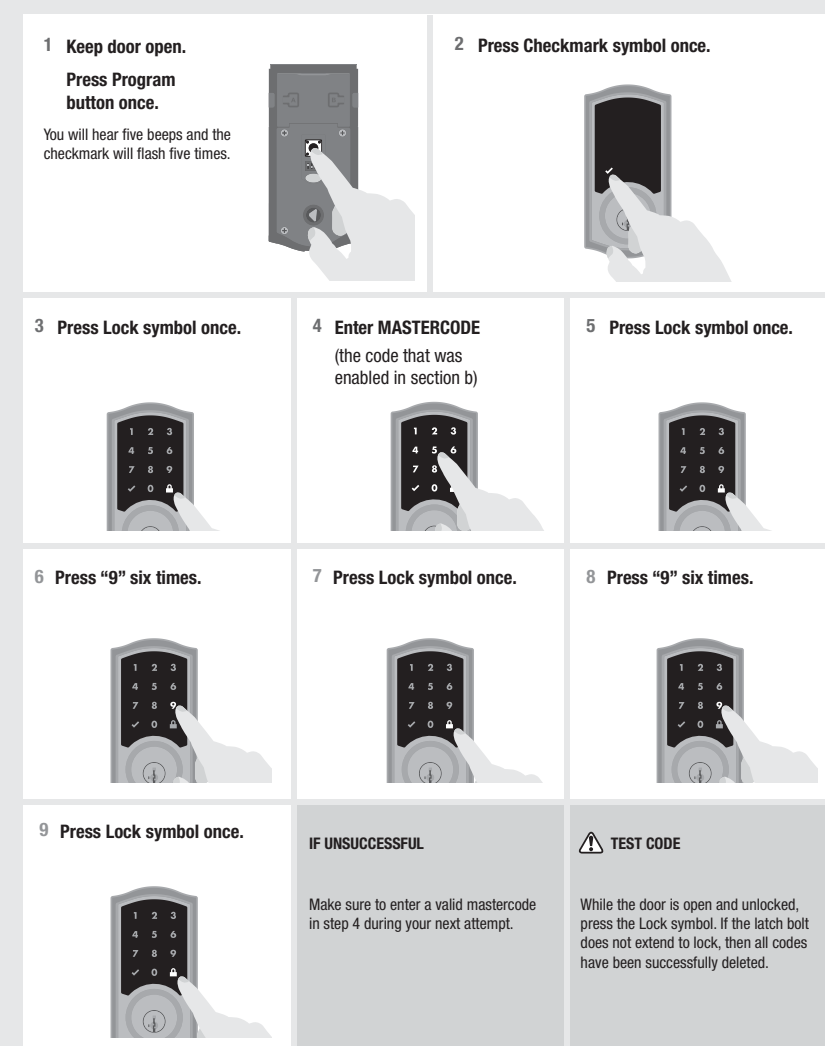


IF UNSUCCESSFUL: Make sure to enter the same valid code in steps 6 and 8. Make sure to enter a valid mastercode in step 4.

TEST CODE: While the door is open and locked, test the user code to make sure it no longer unlocks the door.

f Deleting All User Codes

This procedure can only be performed if the mastercode is enabled. Note: The Auto-Lock feature (switch #2) will be disabled if all codes are deleted.



If the screen is not pressed for 20 seconds, the system will time out, and you will need to restart the procedure.

E Regulatory Compliance

This product complies with standards established by the following regulatory bodies:

- Federal Communications Commission (FCC)
- Industry Canada

FCC

This device complies with Part 15 of the FCC Rules. Operation is subject to the following two conditions: (1) this device may not cause harmful interference, and (2) this device must accept any interference received, including interference that may cause undesired operation.

IMPORTANT! Changes or modifications not expressly approved by the manufacturer could void the user's authority to operate the equipment.

This equipment has been tested and found to comply with the limits for a Class B digital device, pursuant to Part 15 of the FCC Rules. These limits are designed to provide reasonable protection against harmful interference in a residential installation. This equipment generates, uses, and can radiate radio frequency energy and, if not installed and used in accordance with the instructions, may cause harmful interference to radio communications. However, there is no guarantee that interference will not occur under actual installation. If this equipment

does cause harmful interference to radio or television reception, which can be determined by turning the equipment off and on, the user is encouraged to try to correct the interference by one or more of the following measures:

- Reorient or relocate the receiving antenna.
- Increase the separation between the equipment and receiver.
- Connect the equipment into an outlet on a circuit different from that to which the receiver is connected.
- Consult the dealer or an experienced radio/TV technician for help.

Industry Canada

This device complies with Industry Canada licence-exempt RSS standards. Operation is subject to the following two conditions: (1) this device may not cause interference, and (2) this device must accept any interference, including interference that may cause undesired operation of the device.

F Switches, Status LED Colors, and System Alerts

Switches

| Switch | Function |
|--------|--|
| 1 | Door lock status LED blinks every 6 seconds |
| 2 | Lock automatically re-locks door 30 seconds after unlocking. Disabled if no codes are programmed. |
| 3 | Audio |
| 4 | SecureScreen feature displays random digits to be pressed before entering user code. This added-security feature ensures that there are fingerprints on all digits so that codes cannot be identified by examining the touchscreen for fingerprints. |

Status LED

| Color | Lock Status |
|----------------|-------------|
| Blinking green | Unlocked |
| Blinking amber | Locked |
| Blinking Red | Low battery |

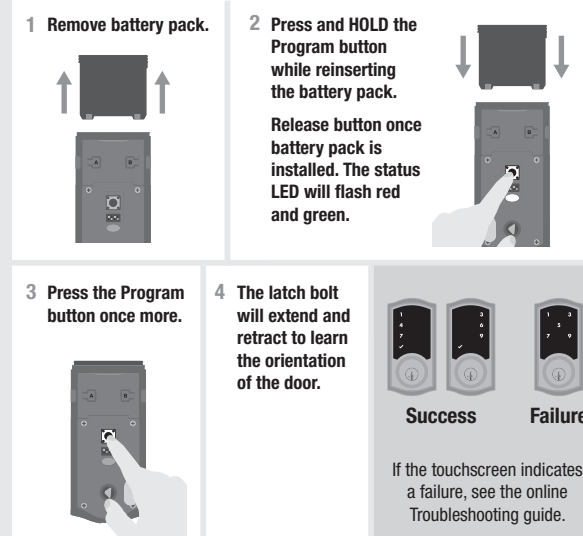
System Alerts

| Display | Alert | Reason | Solution |
|---------|--|--|---|
| | "X" pattern flashes one time with one beep*. | One incorrect code entered. | Re-enter code. |
| | "X" pattern flashes three times with three beeps*. | No user code programmed. | Program at least one user code. |
| | "X" pattern flashes 15 times with 15 beeps*. | Programming timeout after 20 seconds. | Attempt programming procedure again. |
| | "X" pattern flashes 15 times with 15 beeps*. | Three incorrect codes entered within one minute. | Re-enter code after 60 second touchscreen lockout. |
| | Checkmark and lock symbols flash simultaneously five times with five beeps*. | Low battery. | Replace batteries. |
| | Checkmark and lock symbols alternate flashing five times with five beeps*. | Door jammed while attempting to lock. | Manually re-lock door. If needed, reposition strike. |
| N/A | Lock beeps continuously. | Interior assembly is disconnected from exterior. | Remove battery pack, reconnect the interior to the exterior, then replace battery pack. |

*Beeping sound will only be heard if switch #3 is on.

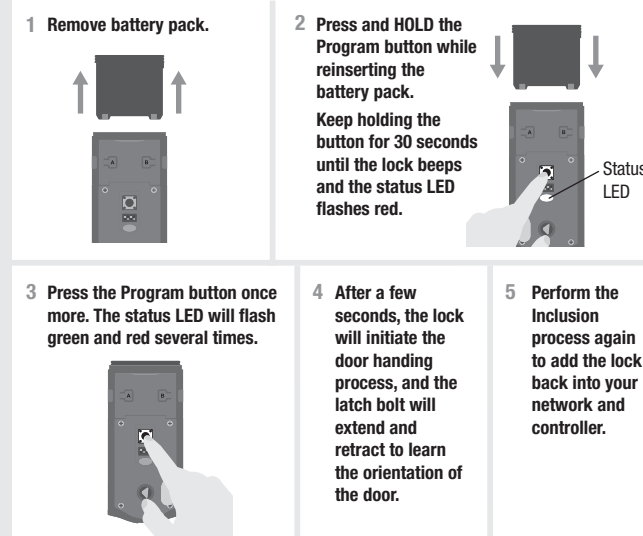
G Manual Door Handling

If needed, the door handing process can be initiated manually. This is useful if the lock is being moved to a different door.



H Factory Reset

A factory reset will delete all codes associated with the lock.



I Important Safeguards

- Read all instructions in their entirety.
 - Familiarize yourself with all warning and caution statements.
 - Remind all family members of safety precautions.
 - Restrict access to your lock's back panel and routinely check your settings to ensure they have not been altered without your knowledge.
 - Protect your user codes and mastercode.
 - Dispose of used batteries according to local laws and regulations.
 - For added security, turn on switch #4.
- CAUTION:** Prevent unauthorized entry. Since anyone with access to the back panel can change the user codes, you must restrict access to the back panel and routinely check the user codes to ensure they have not been altered without your knowledge. The use of a mastercode can help protect your system's settings.
- WARNING:** This Manufacturer advises that no lock can provide complete security by itself. This lock may be defeated by forcible or technical means, or evaded by entry elsewhere on the property. No lock can substitute for caution, awareness of your environment, and common sense. Builder's hardware is available in multiple performance grades to suit the application. In order to enhance security and reduce risk, you should consult a qualified locksmith or other security professional.