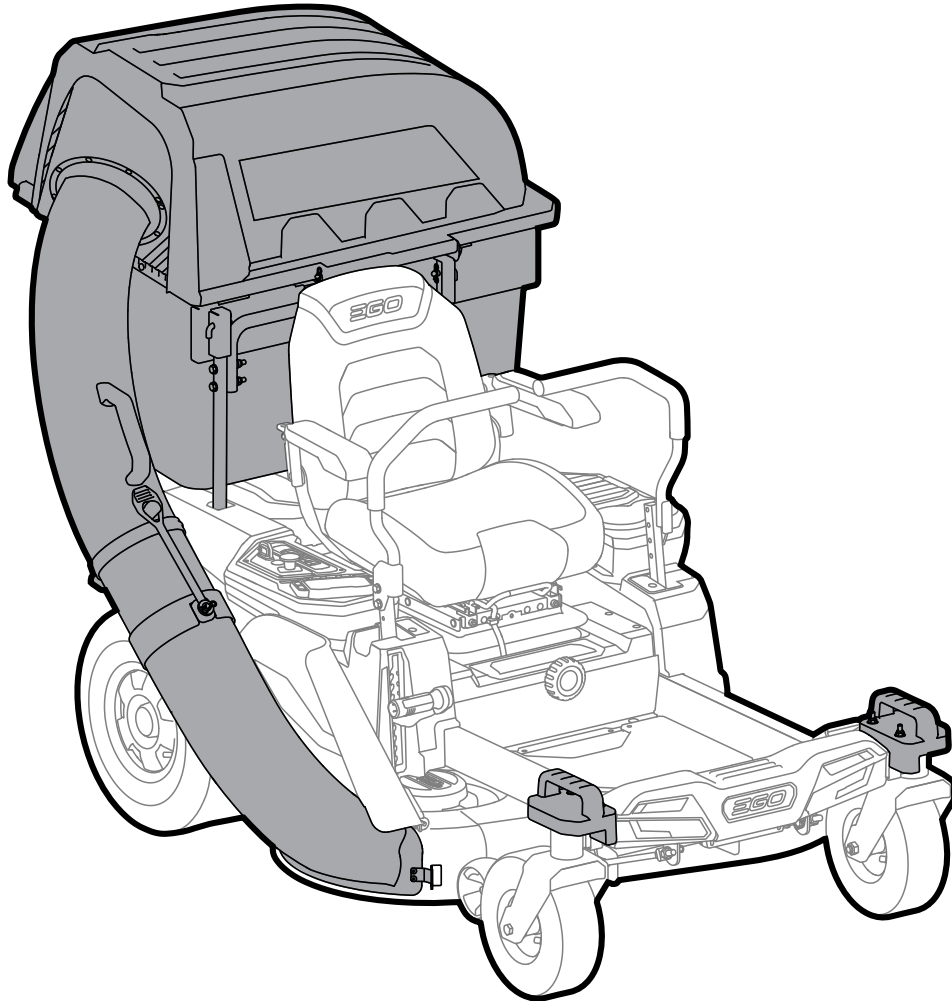


EGO™



**THIS GRASS BAGGER KIT IS
EXCLUSIVELY COMPATIBLE WITH
EGO POWER+ ELECTRIC ZERO TURN
MOWER ZT4200L/ZT4200L-FC/ZT4200S/ZT4200S-FC.**

Français p. 15

Español p. 29

OPERATOR'S MANUAL **GRASS BAGGER KIT**

MODEL NUMBER ABK4200

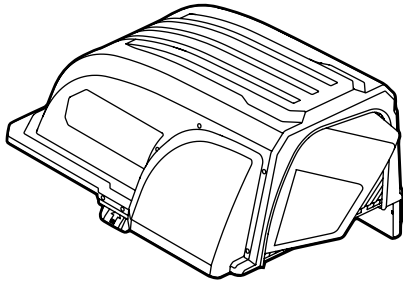
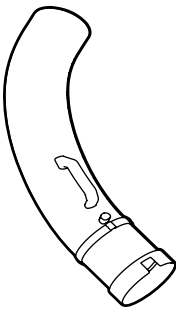
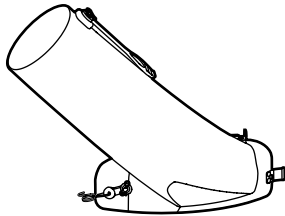
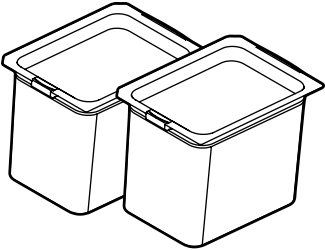
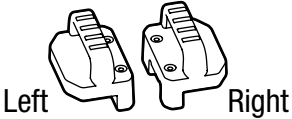


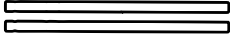
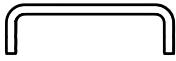

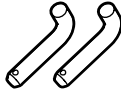

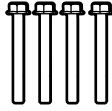

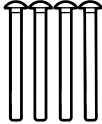

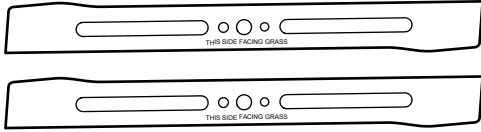
WARNING: To reduce the risk of injury, the user must read and understand the Operator's Manual before using this product. Save these instructions together with the mower manual for future reference.

TABLE OF CONTENTS

Packing List	3-4
Assembly & Installation	5-11
Operation	12
Warranty	13-14

PACKING LIST

PART NAME	FIGURE	QUANTITY
Top cover assembly		1
Upper chute tube assembly		1
Lower chute tube assembly		1
Bagger assembly		2
Counter weight		2

<p>Post</p>		<p>2</p>
<p>Crossbar</p>		<p>1</p>
<p>Mounting bracket</p>		<p>2</p>
<p>Lock pin</p>		<p>2</p>
<p>Retention pin</p>		<p>2</p>
<p>Hexagon head bolt and nut set</p>	 <p>M8*70 </p>	<p>4</p>
<p>Step bolt and nut set</p>	 <p>M8*90 </p>	<p>4</p>
<p>Bagging blade</p>		<p>2</p>

ASSEMBLY & INSTALLATION

⚠ WARNING: If any part is damaged or missing, do not assembly this product until the part is replaced. Use of this product with damaged or missing parts could result in serious personal injury.

⚠ WARNING: Do not attempt to modify this product or create accessories not recommended. Any such alteration or modification is misuse and could result in a hazardous condition leading to serious personal injury.

⚠ WARNING: Before assembly or installation, place the Zero Turn Mower on a firm and level surface and set the parking brake. Stop the motors and remove the safety key to prevent unintended starting.

UNPACKING

- This product requires assembly and installation on the Zero Turn Mower.
- Carefully remove all items from the box. Make sure that all items listed in the packing list are included.
- Inspect the tool carefully to make sure that no breakage or damage occurred during shipping.
- Do not discard the packing material until you have carefully inspected and satisfactorily operated the tool.
- If any part is damaged or missing, please return the product to the place of purchase.

REPLACE THE BLADE

⚠ WARNING: The blade must be used in conjunction with the grass bagger. Use of this blade without the grass bagger installed in place could result in serious personal injury.

To Remove the Cutting Blade

⚠ WARNING: Always protect your hands by wearing heavy gloves or wrapping the cutting edges with rags or other materials when performing any maintenance on the mower blade. Always remove the safety key and battery packs when servicing or transporting the mower.

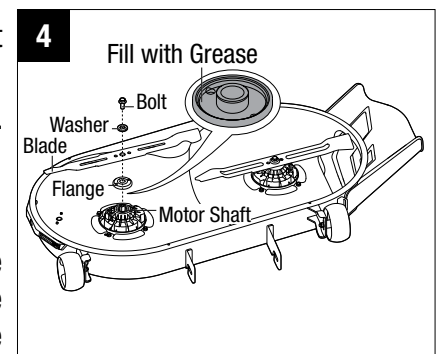
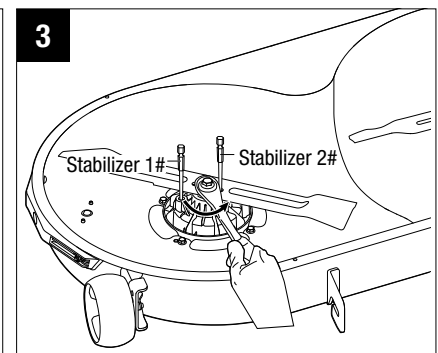
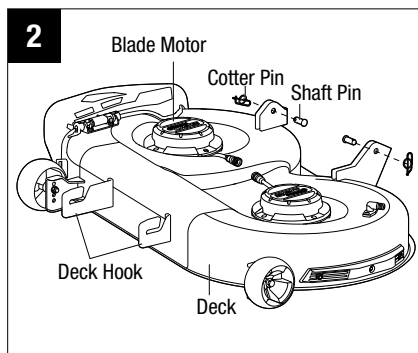
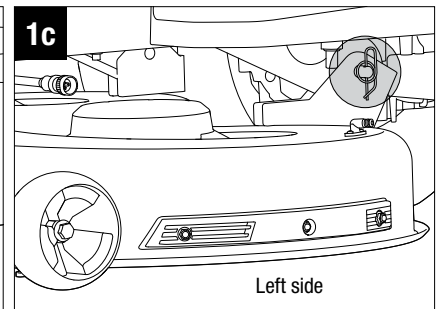
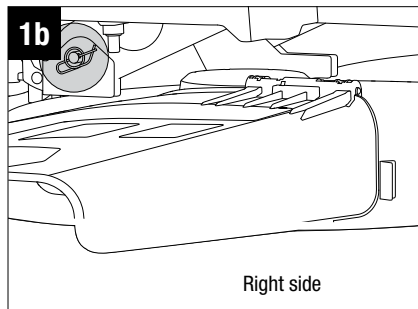
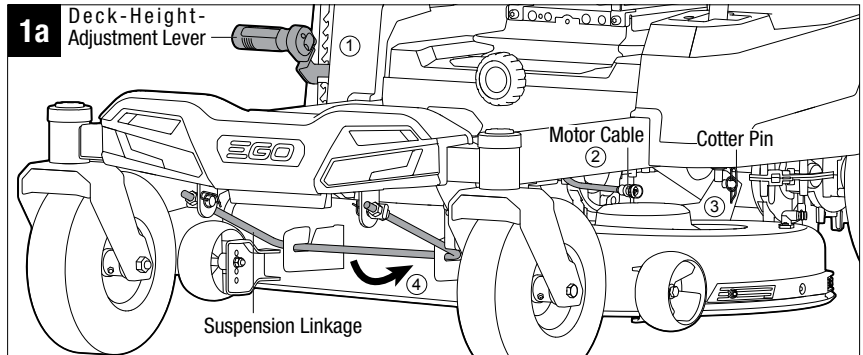
NOTICE: The following tools (not included) are required for replacing the blade:

- 9/16 in. (14mm) wrench;
- Torque wrench with 9/16 in. (14mm) sockets;
- Screwdriver or metal rod 5/16 in. (8 mm) or a little less.
- Screwdriver or metal rod 1/4 in. (6.35 mm) or a little less.

Tools that make life easier: Impact wrench with 9/16 in. (14mm) sockets make the removing the blade bolts much easier.

1. Park the mower on a level surface and set the parking brake.
2. Stop the motors and remove the safety key. Allow the cutting blades to come to a complete stop.

3. Adjust the deck-height-adjustment lever to the lowest cutting height position (Fig. 1a).
4. Disconnect both blade motor cables (Fig. 1a).
5. Place a rug or a mat (similar in size to that of the deck) under the deck to prevent the damage to the deck.
6. Remove the cotter pins and push the shaft pins out. Save both sets for deck re-assembly (Fig. 1a & b & c).
7. Push the deck forward (towards the front wheels) and rotate the suspension linkage counterclockwise to release it from the deck hooks (Fig. 1a).
8. Push the deck sideways and remove it from under the mower (Fig. 2).
9. Reverse the deck on the ground with blades facing upward.
10. While wearing protective gloves, place a screwdriver or metal rod with diameter less than 5/16 in (8 mm) into the fixing hole in the motor to act as a stabilizer. Place another metal rod with diameter less than 1/4 in (6.35 mm) (e.g., a bit) into the aligned hole in the blade and the flange to act as another stabilizer (Fig. 3).
11. Use a 9/16 in (14mm) adjustable wrench or socket wrench (not included) to turn the blade bolt counterclockwise to loosen it (Fig. 3).
12. While wearing protective gloves, remove the bolt, washer and the blade (Fig. 4). The flange can be saved on the motor shaft.



To Install the Cutting Blade

⚠ WARNING: Always protect your hands by wearing heavy gloves or wrapping the cutting edges with rags or other materials when performing any maintenance on the mower blade. Always remove the battery packs when servicing or transporting the mower.

NOTICE: To re-install or replace the blade, make sure that all parts are replaced in the exact order in which they are removed (Fig. 4).

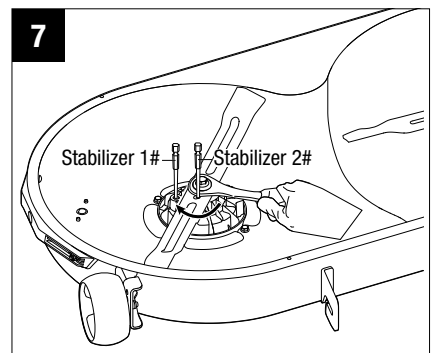
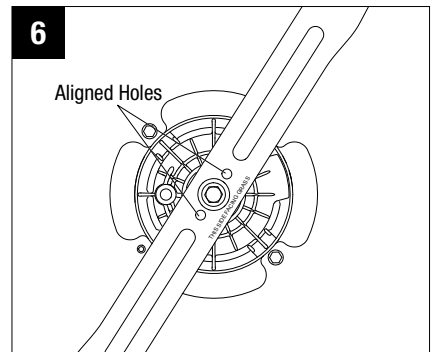
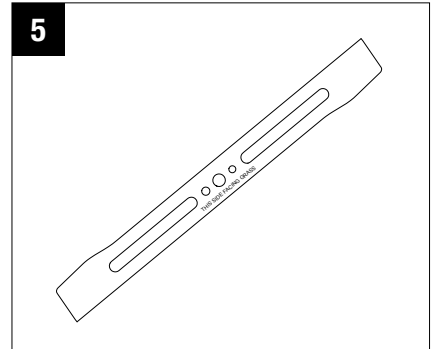
1. If the flange is removed during blade removing, align it with the motor shaft first and then assemble it into place.

NOTICE: Every 50 hours: examine the grease inside the flange by turning it upside-down. If the grease level is low, fill the concave area of the flange with gear grease before reassembly. The grease which can meet the following requirements is recommended:

- NLGI Grade Penetration: NLGI-3;
- Thickener Type: Lithium soap thickener;
- Recommended Operating Temperature Range: -4 – 248°F (-20 – 120°C).

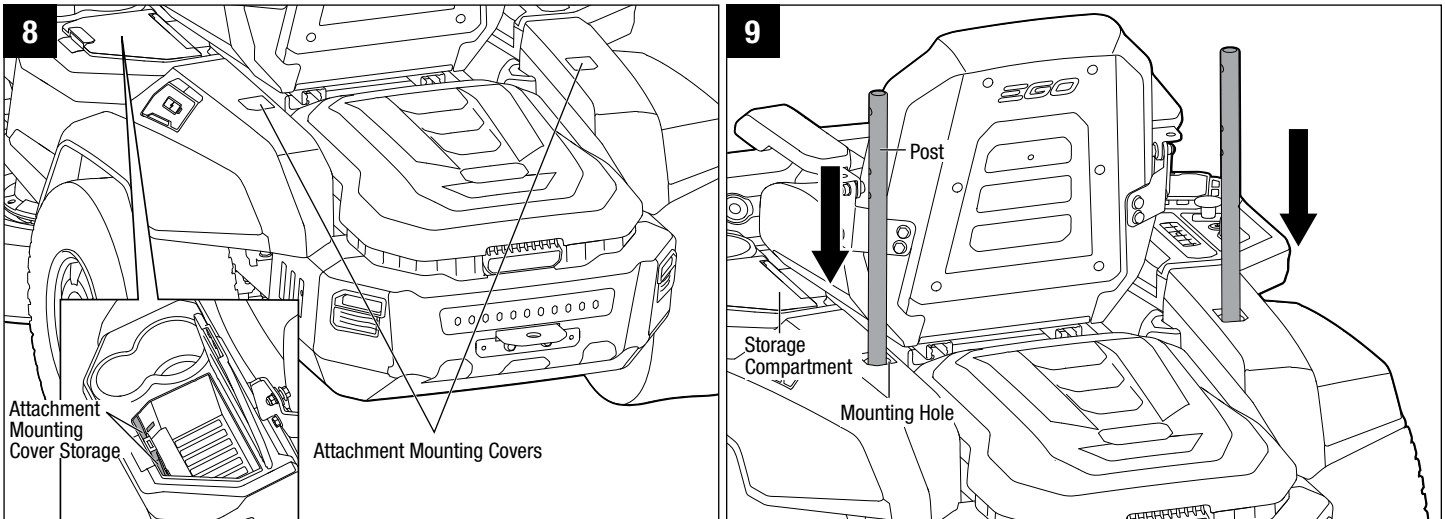
2. While wearing protective gloves, position the blade on the flange with the surface stating “**THIS SIDE FACING GRASS**” facing toward outside (Fig. 5).
3. Align the washer with the motor shaft and mount it onto the motor shaft.
4. Mount the bolt into the motor shaft. Hand tighten the bolt clockwise.
5. Move the blade by hand to align the two holes in the blade with the two holes in the flange (Fig. 6).
6. Place a metal rod with diameter less than 1/4 in (6.35 mm) (e.g., a bit) into the aligned hole in the blade and the flange to act as a stabilizer. Place another screwdriver or metal rod with diameter less than 5/16 in (8 mm) into the fixing hole in the motor to act as a stabilizer (Fig. 7).
7. Use a 9/16 in (14 mm) torque wrench to tighten the bolt clockwise. The recommended torque for the blade bolt is 36-41 ft-lb (50-55 Nm).
8. Repeat with second blade, if needed.
9. Reassemble the deck onto the mower in the reverse order.

⚠ WARNING: Ensure that the blade is properly seated and the blade nut is tightened to the torque specifications above. Failure to properly attach the blade could cause it to come loose and result in possible serious personal injury.



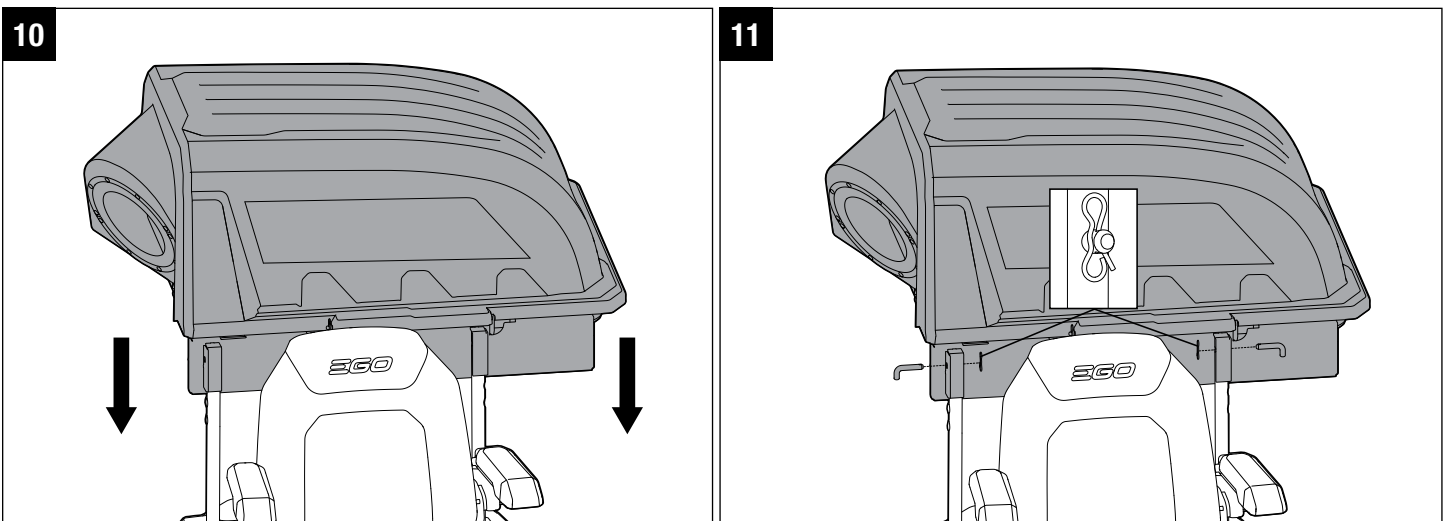
ASSEMBLY AND INSTALLATION OF GRASS BAGGER

1. Remove the two attachment mounting covers from the mower to expose two mounting holes (Fig. 8). Place the attachment mounting covers in the storage compartment of your mower.
2. Insert the posts into the mounting holes of the mower as shown (Fig. 9).

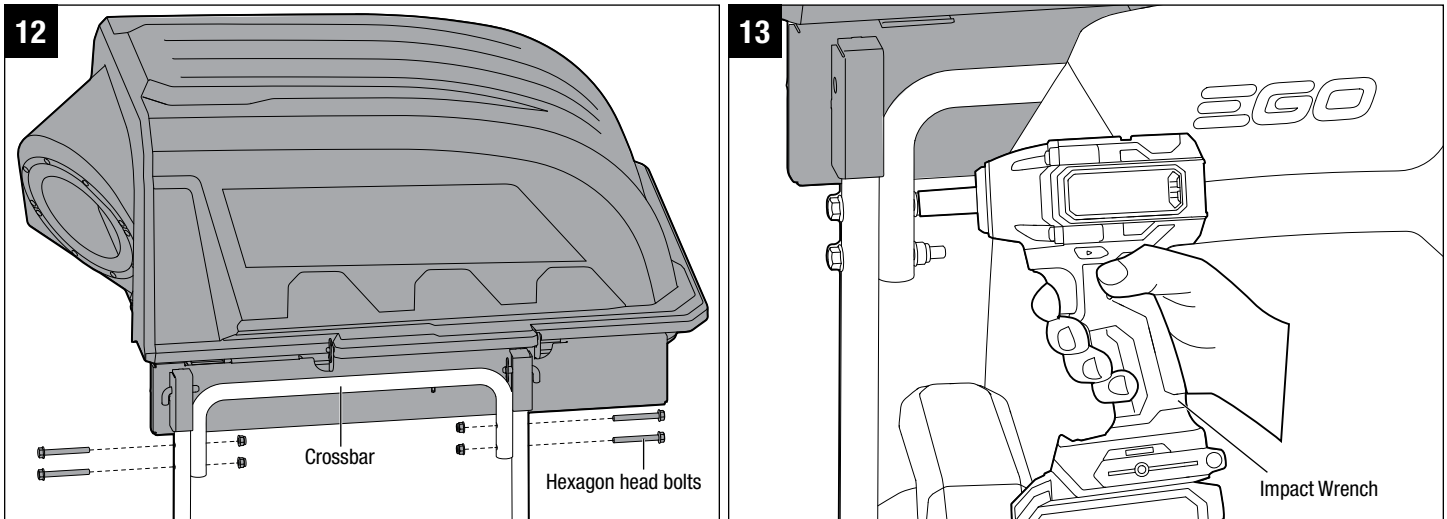


3. Lift the top cover assembly above the posts and lower it so that the upper tips of the posts are inserted into the top cover assembly as shown (Fig. 10). To simplify the process, it is recommended that two persons perform this step. Insert two lock pins into the holes and secure them with the retention pins (Fig. 11).

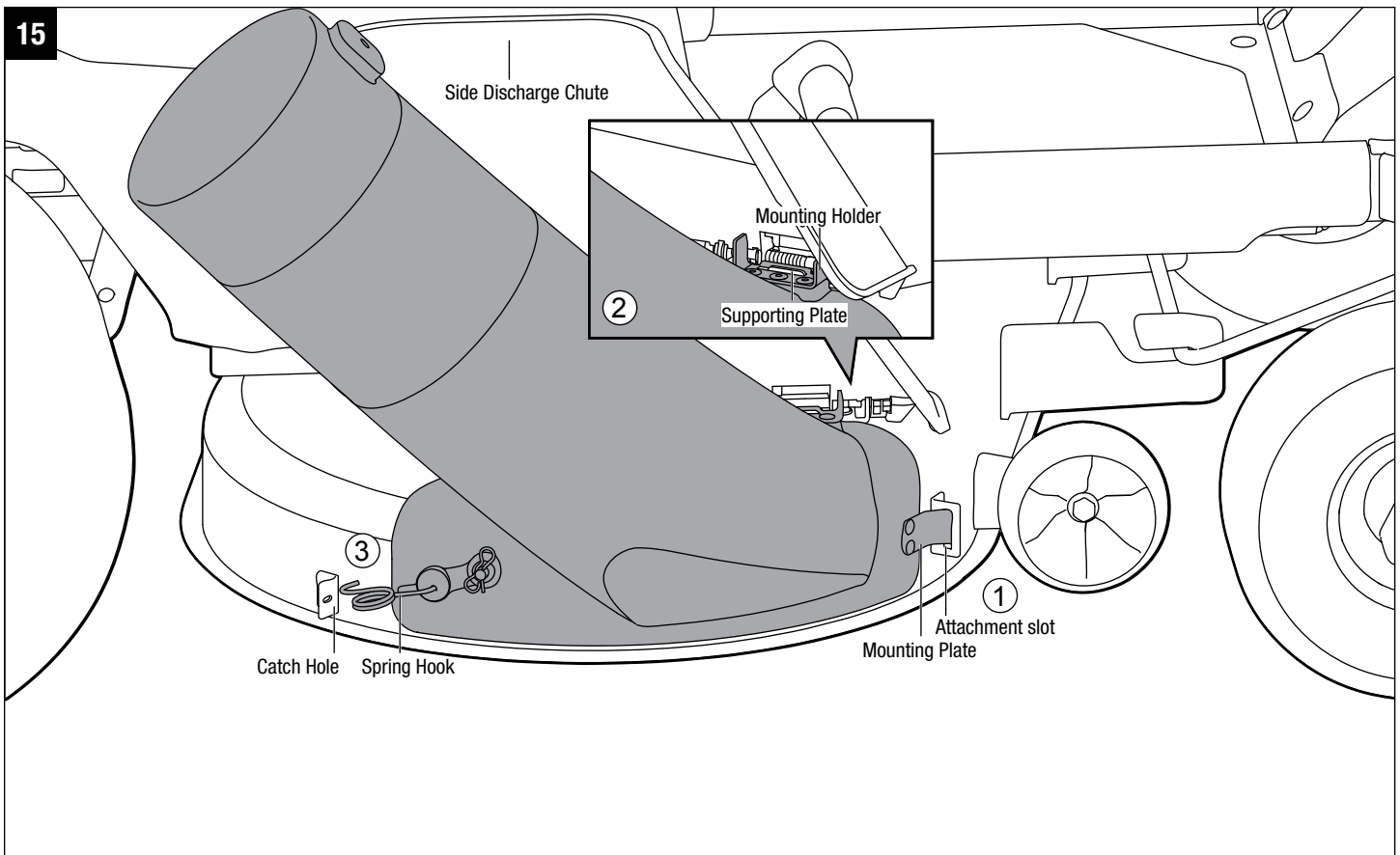
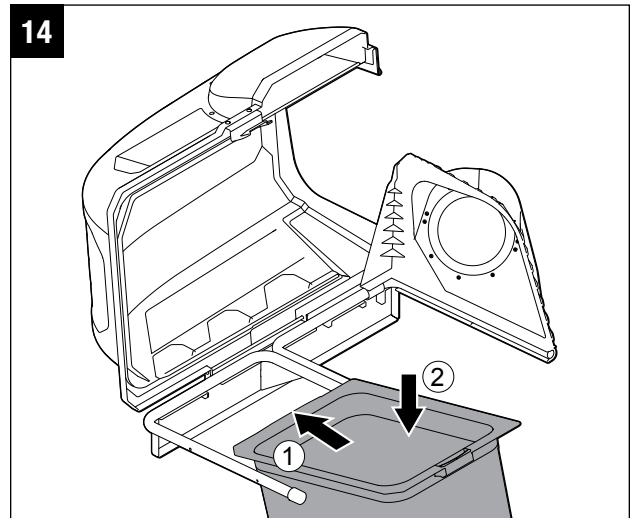
⚠ WARNING: Use of this product with improperly secured bolts could result in serious personal injury.



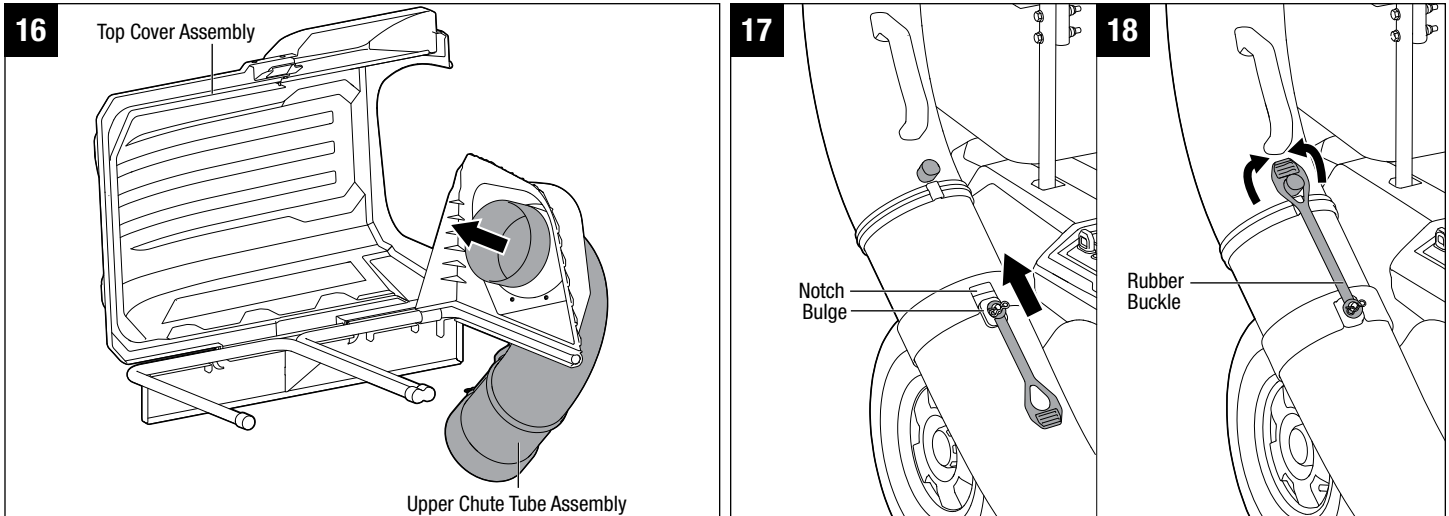
4. Hold the crossbar between the posts to align the two mounting holes on both ends of the crossbar with the two lower mounting holes of each post. Pre-install four hexagon head bolts on both sides and finger-tighten the bolts and nuts (Fig. 12).
5. Securely tighten all four bolts on both sides by an impact wrench with a 1/2" (13mm) socket (not included) (Fig. 13).



6. Install both bagger assemblies onto the top cover assembly by inserting the front edge in first, and then setting the back edge down until it fits into the assembly as shown in Fig. 14.
7. With the side discharge chute of the mower raised up and held open, install the lower chute tube assembly on the mower by following these three steps (Fig. 15):
 - a. Insert the mounting plate into the attachment slot of the mower.
 - b. Align the supporting plate on the mower with the slot of the mounting holder and insert it in.
 - c. Stretch the spring hook to secure it to the catch hole of the mower.



8. Insert the top of the upper chute tube assembly into the top cover assembly (Fig. 16).
9. With the bulge aligned with the notch, slide the upper chute tube assembly into the lower chute tube assembly (Fig. 17). Stretch the rubber buckle until it is hooked onto the upper chute tube (Fig. 18).

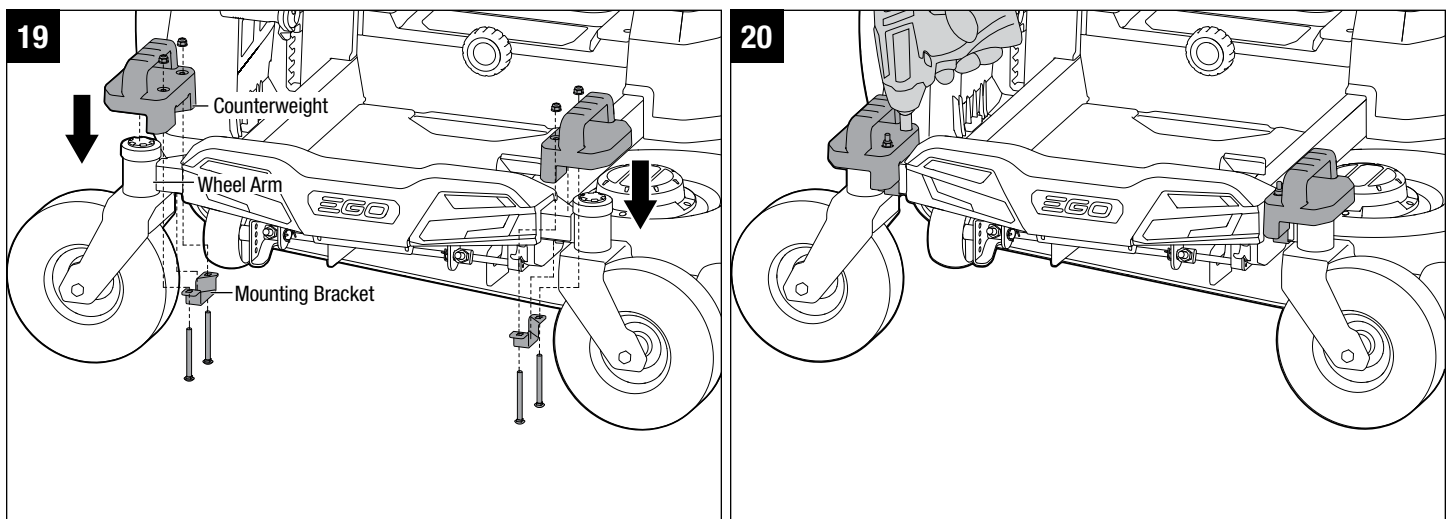


INSTALL THE COUNTERWEIGHTS

⚠ WARNING: The counterweights are required when operating the Zero Turn Mower equipped with the grass bagger. Failure to install the counterweights may result in serious injury or death.

1. Turn the two front wheels of the mower so that they are perpendicular to the body and are directed outward.
2. Insert the left mounting bracket under the left wheel arm and place the left counterweight on the front of the mower as shown in Fig. 19. Repeat this step to install the right counterweight.
3. Pre-install four step bolts on both counterweights and finger-tighten the bolts and nuts. Then securely tighten all four step bolts on both sides by an impact wrench with a 1/2" (13mm) socket (not included) (Fig. 20).

⚠ WARNING: Use of this product with improperly secured bolts could result in serious personal injury.



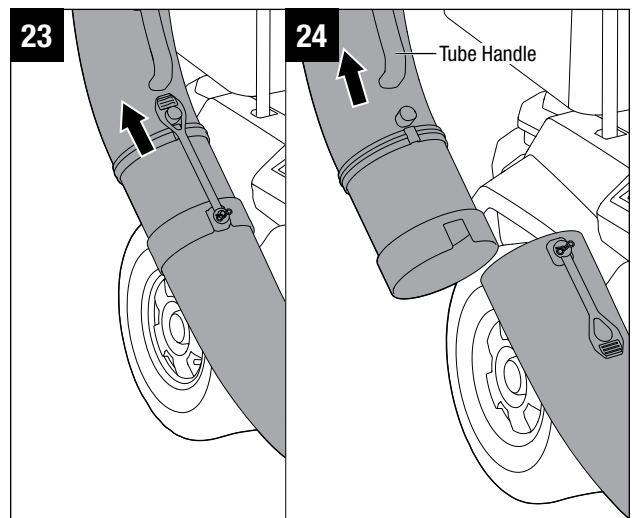
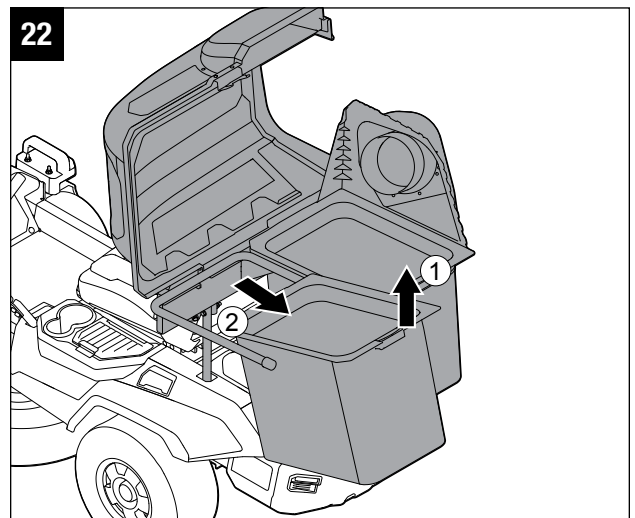
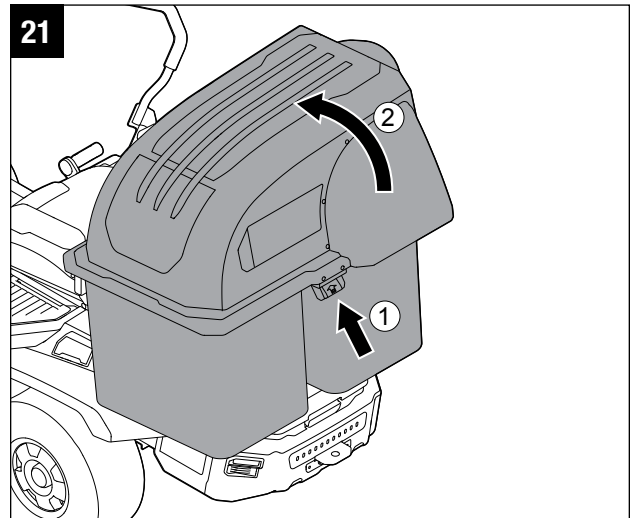
OPERATION

- When both grass baggers are full, place the Zero Turn Mower on a firm and level surface and set the parking brake. Stop the motors and remove the safety key to prevent unintended starting.

1. Open the cover of grass bagger by pushing the cover handle in first and then lifting the cover handle (Fig. 21).
2. Remove both bagger assemblies by lifting the front edge up first, and then sliding the back edge forward and up until it is clear of the frame (Fig. 22).
3. Empty the grass clippings at a proper disposal site.
4. Replace both bagger assemblies and close the cover. Restart your mower to resume cutting your grass.

- When the grass clippings are blocked in the chute tube, place the Zero Turn Mower on a firm and level surface and set the parking brake. Stop the motors and remove the safety key to prevent unintended starting.

1. Stretch the rubber buckle to unlock the upper and lower chute tube (Fig. 23).
2. Hold the tube handle to slide out the upper chute tube. Grab the tube handle to pour out the clogged grass clippings at a proper disposal site (Fig. 24).
3. Replace the upper chute tube assembly as shown in the Step 8 of the section **“ASSEMBLY AND INSTALLATION ON THE ZERO TURN MOWER”**. Restart your mower to resume cutting your grass.



WARRANTY

EGO WARRANTY POLICY

5-year limited warranty on EGO POWER+ outdoor power equipment and portable power for personal, household use.
3-year limited warranty on EGO POWER+ System battery packs and chargers for personal, household use. An additional 2-year extended warranty applies for the 10.0Ah battery whether sold separately (Model# BA5600T) or included with any tool, if it is registered within 90 days of purchase. 5-year limited warranty on CHV1600 charger, designed for use with Zero Turn Riding Mower for personal, household use.

2 year/1year limited warranty on EGO outdoor power equipment, portable power, battery packs, and chargers for professional and commercial use.

The detailed warranty periods by products can be found online at <http://egopowerplus.com/warranty-policy>.

Please contact EGO Customer Service Toll-Free at 877-346-9876 (877-EGO-ZTRM) any time you have questions or warranty claims.

LIMITED SERVICE WARRANTY

EGO products are warranted against defects in material or workmanship from the date of original retail purchase for the applicable warranty period. Defective product will receive free repair.

- a) This warranty applies only to the original purchaser from an authorized EGO retailer and may not be transferred. Authorized EGO retailers are identified online at <http://egopowerplus.com/warranty-policy>.
- b) The warranty period for reconditioned or factory certified products used for residential purpose is 1 year, for industrial, professional or commercial purpose is 90 days.
- c) The warranty period for routine maintenance parts, such as, but not limited to, ride-on mower seat, wheels, tires, anti-scalp wheels, brake disc, friction block, blades, trimmer heads, chain bars, saw chains, belts, scraper bars, rubber paddles, augers, skid shoes, blower nozzles, and all other EGO accessories is 90 days for residential purpose, 30 days for industrial, professional or commercial purpose. These parts are covered for 90/30 days from manufacture defects in normal working conditions.
- d) This warranty is void if the product has been used for rental purpose.
- e) This warranty does not cover the damage resulting from modification, alteration or unauthorized repair.
- f) This warranty only covers defects arising under normal usage and does not cover any malfunction, failure or defect resulting from misuse, abuse (including overloading of the product beyond capacity and immersion in water or other liquid), accidents, neglect or lack of proper installation, and improper maintenance or storage.
- g) This warranty does not cover normal deterioration of the exterior finish, including but not limited to scratches, dents, paint chips, or to any corrosion or discoloring by heat, abrasive and chemical cleaners.

HOW TO OBTAIN SERVICE

For warranty service, please contact EGO customer service toll-free at **877-346-9876 (877-EGO-ZTRM)**. When requesting warranty service, you must present the original dated sales receipt. An authorized service center will be selected to repair the product according to the stated warranty terms. When bringing your product to the authorized service center, there may be a small deposit that will be required when dropping off your tool. This deposit is refundable when the repair service is deemed to be covered under warranty.

ADDITIONAL LIMITATIONS

To the extent permitted by applicable law, all implied warranties, including warranties of MERCHANTABILITY or FITNESS FOR A PARTICULAR PURPOSE, are disclaimed. Any implied warranties, including warranties of merchantability or fitness for a particular purpose, that cannot be disclaimed under state law are limited to the applicable warranty period defined at the beginning of this article.

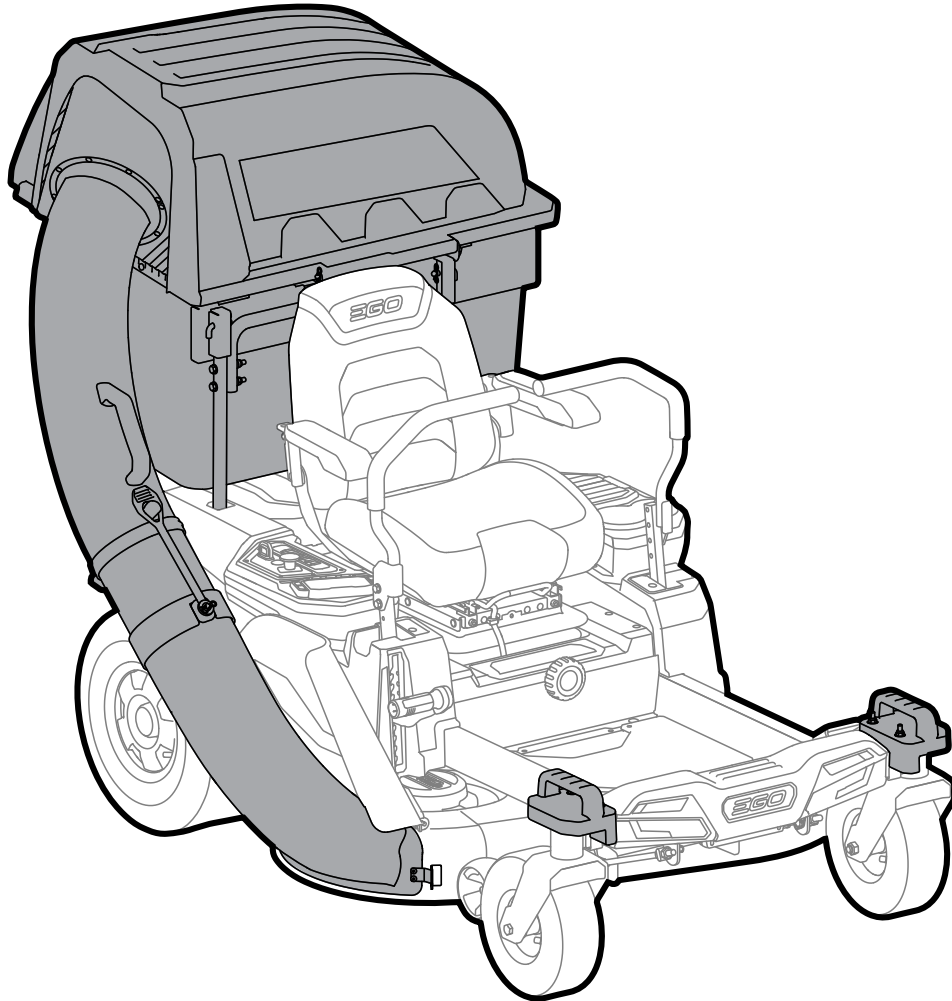
Chervon North America is not responsible for direct, indirect, incidental or consequential damages.

Some states do not allow limitations on how long an implied warranty lasts and/or do not allow the exclusion or limitation of incidental or consequential damages, so the above limitations may not apply to you.

This warranty gives you specific legal rights, and you may also have other rights which vary from state to state.

For customer service contact us toll-free at: **877-346-9876 (877-EGO-ZTRM)** or **EGOPOWERPLUS.COM**. EGO Customer Service, 769 SEWARD AVE NW / Suite 102 Grand Rapids, MI 49504

EGO™



CE KIT D'ENSACHEUSE À HERBE EST COMPATIBLE EXCLUSIVEMENT AVEC LA TONDEUSE ÉLECTRIQUE À RAYON DE BRAQUAGE ZÉRO EGO POWER+ ZT4200L/ZT4200L-FC/ZT4200S/ZT4200S-FC.

MODE D'EMPLOI **KIT D'ENSACHEUSE À HERBE**

MODÈLE NUMÉRO ABK4200

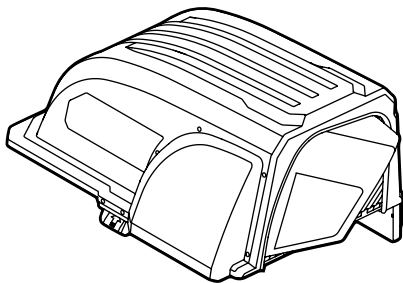
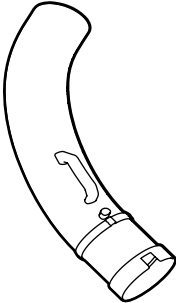
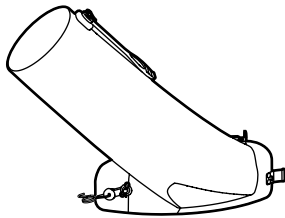
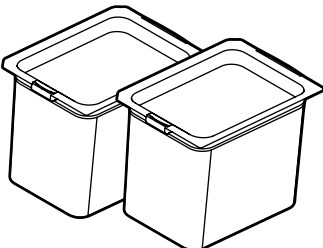


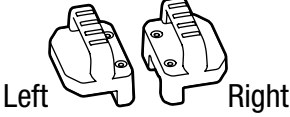
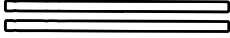
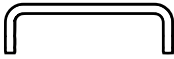

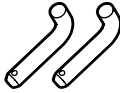



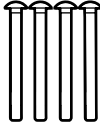

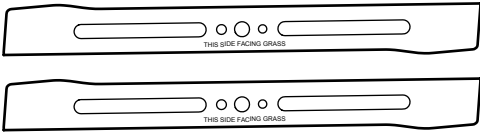
AVERTISSEMENT : Pour réduire le risque de blessure, lisez le Mode d'emploi et assurez-vous que vous le comprenez avant de commencer à utiliser ce produit. Conservez ces instructions en vue de référence future.

TABLE DES MATIÈRES

Liste des pièces	17-18
Montage et installation	19-25
Fonctionnement	26
Garantie	27-28

LISTE DES PIÈCES

ENSEMBLE DE COUVERCLE DU HAUT	FIGURE	QUANTITÉ
Ensemble de couvercle du haut		1
Ensemble de tube de goulotte du haut		1
Ensemble de tube de goulotte du bas		1
Ensemble d'ensacheuse		2

<p>Contrepoids</p>		<p>2</p>
<p>Montant</p>		<p>2</p>
<p>Barre transversale</p>		<p>1</p>
<p>Support de montage</p>		<p>2</p>
<p>Broche de verrouillage</p>		<p>2</p>
<p>Broche de rétention</p>		<p>2</p>
<p>Ensemble de boulon à tête hexagonale et d'écrou</p>	 <p>M8*70 </p>	<p>4</p>
<p>Ensemble de boulon à tête plate et d'écrou</p>	 <p>M8*90 </p>	<p>4</p>
<p>Lame pour ensachage</p>		<p>2</p>

MONTAGE ET INSTALLATION

⚠ AVERTISSEMENT : Si certaines pièces sont endommagées ou manquantes, n'effectuez pas le montage de ce produit avant que ces pièces aient été remplacées. L'utilisation de ce produit avec des pièces endommagées ou manquantes pourrait causer des blessures graves.

⚠ AVERTISSEMENT : Ne tentez pas de modifier ce produit ou de créer des accessoires qu'il n'est pas recommandé d'utiliser avec celui-ci. Une telle altération ou modification constituerait une utilisation abusive et pourrait créer une situation dangereuse avec risque de blessures graves.

⚠ AVERTISSEMENT : Avant de procéder à son montage ou à son installation, placez la tondeuse à rayon de braquage zéro sur une surface ferme et plate, et activez le frein de stationnement. Arrêtez les moteurs et retirez la clé de sécurité pour éviter tout risque de démarrage accidentel.

DÉBALLAGE

- Ce produit nécessite un montage et une installation sur la tondeuse à rayon de braquage zéro.
- Sortez avec précaution tous les articles se trouvant dans la boîte. Assurez-vous que tous les articles répertoriés sur la liste des pièces sont inclus.
- Inspectez attentivement l'outil pour vous assurer qu'aucun dommage ou bris de pièce(s) ne s'est produit pendant le transport.
- Ne jetez pas les matériaux d'emballage avant d'avoir inspecté attentivement l'outil et de l'avoir mis en marche de façon satisfaisante.
- Si une pièce quelconque est endommagée ou manquante, veuillez rapporter le produit dans le magasin où vous l'avez acheté.

REPLACEMENT DE LA LAME

⚠ AVERTISSEMENT : La lame doit être utilisée conjointement avec l'ensacheuse à herbe. L'utilisation de cette lame sans que l'ensacheuse à herbe ne soit installée pourrait causer des blessures graves.

Retrait de la lame de coupe

⚠ AVERTISSEMENT : Protégez-vous toujours les mains en portant des gants épais ou en enveloppant les bords coupants avec des chiffons ou d'autres matériaux lorsque vous effectuez des opérations de maintenance sur la lame de la tondeuse à gazon. Retirez toujours la clé de sécurité et les blocs-piles lorsque vous effectuez une opération d'entretien ou lorsque vous déplacez la tondeuse à gazon.

AVIS : Les outils suivants (non inclus) sont nécessaires pour remplacer la lame :

- Clé de 14 mm po / 9/16 po
- Clé dynamométrique avec douilles de 14 mm / 9/16 po
- Tournevis manuel ou tige en métal de 8 mm / 5/16 po ou moins
- Tournevis manuel ou tige en métal de 6.35 mm / 1/4 po ou moins

Outils qui vous faciliteront la vie : une clé à choc avec des douilles de 14 mm / 9/16 po rendra le retrait des boulons de la lame beaucoup plus facile.

1. Garez la tondeuse sur une surface plane et activez le frein de stationnement.
2. Arrêtez les moteurs et retirez la clé de sécurité. Attendez que les lames de coupe se soient complètement arrêtées.

3. Ajustez le levier de réglage de la hauteur du châssis à la position de hauteur de coupe la plus basse (Fig. 1a).

4. Déconnectez les deux câbles de moteur de lame (Fig. 1a).

5. Placez un tapis ou un paillason (de taille similaire à celle du plateau) au-dessous du plateau pour protéger celui-ci contre tout risque d'endommagement.

6. Retirez les goupilles fendues et poussez les chevilles vers l'extérieur. Conservez toutes les goupilles et les chevilles en vue du remontage du plateau (Fig. 1a & b & c).

7. Poussez le plateau vers l'avant (en direction des roues avant) et faites tourner la biellette de suspension dans le sens contraire des aiguilles d'une montre pour la relâcher des crochets de suspension du plateau (Fig. 1a).

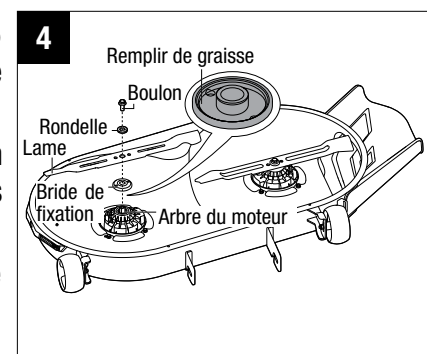
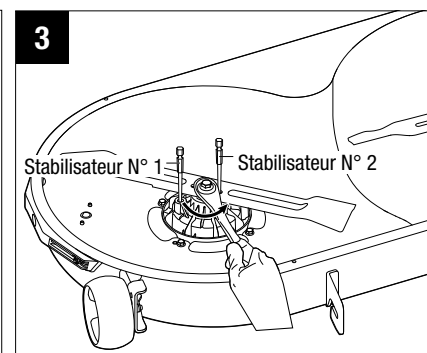
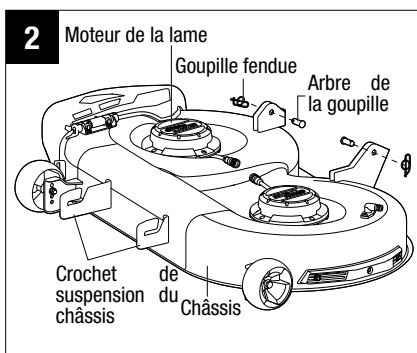
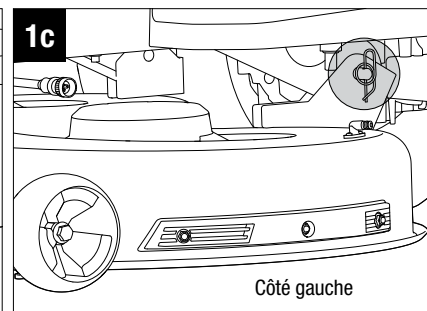
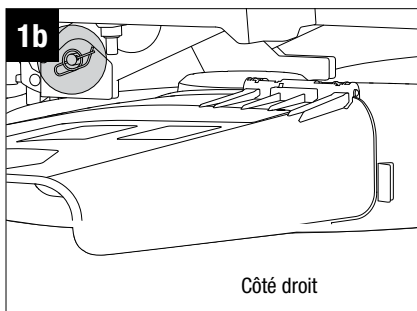
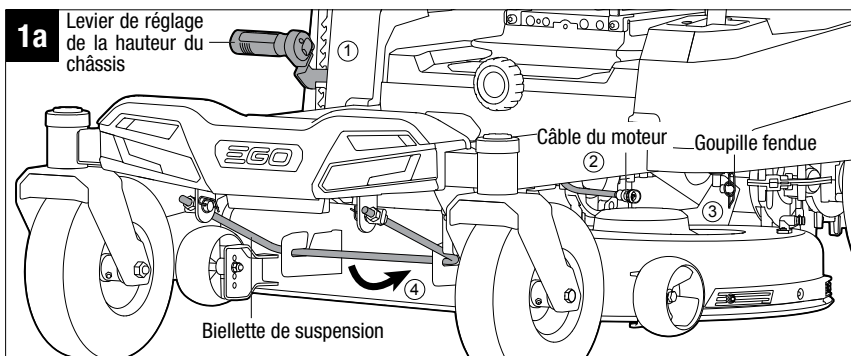
8. Poussez le plateau latéralement et retirez-le du dessous de la tondeuse (Fig. 2).

9. Retournez le châssis sur le sol avec les lames orientées vers le haut.

10. Mettez des gants de protection et placez un tournevis ou une tige en métal d'un diamètre inférieur à 8 mm / 5/16 po dans le trou de fixation du moteur afin de servir de stabilisateur. Placez une autre tige en métal d'un diamètre inférieur à 6,35 mm / 1/4 po (p. ex., une mèche) dans le trou aligné de la lame et de la bride de fixation pour servir également de stabilisateur (Fig. 3).

11. Utilisez une clé à douille ou une clé à ouverture variable de 14 mm / 9/16 po (non incluse) pour tourner le boulon de fixation de la lame dans le sens contraire des aiguilles d'une montre afin de le desserrer (Fig. 3).

12. Mettez des gants de protection et retirez ensuite le boulon, la rondelle et la lame (Fig. 4). La bride de fixation peut être laissée sur l'arbre du moteur.



Installation de la lame de coupe

⚠ AVERTISSEMENT : Protégez-vous toujours les mains en portant des gants épais ou en enveloppant les bords coupants avec des chiffons ou d'autres matériaux lorsque vous effectuez des opérations de maintenance sur la lame de la tondeuse à gazon. Retirez toujours la clé de sécurité et le blocs-piles lorsque vous effectuez une opération d'entretien ou lorsque vous déplacez la tondeuse à gazon.

AVIS : Pour réinstaller ou remplacer la lame, assurez-vous que toutes les pièces sont remises en place dans l'ordre exact dans lequel elles avaient été retirées (Fig. 4).

1. Si la bride de fixation avait été retirée pendant le retrait de la lame, alignez-la sur l'arbre du moteur en premier, puis assemblez-la en place.

AVIS : Toutes les 50 heures : examinez la graisse à l'intérieur de la bride de fixation en la retournant sens dessus-dessous. Si le niveau de graisse est bas, remplissez la zone concave de la bride de fixation avec de la graisse pour engrenages avant d'effectuer le remontage. De la graisse conforme aux exigences suivantes est recommandée :

- Niveau de pénétration NLGI : NLGI-3 ;
- Niveau de pénétration NLGI : NLGI-3 ;
- Plage de température de fonctionnement recommandée : -20 – 120° C / -4 – 248° F.

2. Tout en portant toujours des gants de protection, positionnez la lame sur la bride de fixation avec la surface indiquant « THIS SIDE FACING GRASS » (Ce côté face à l'herbe) orientée vers l'extérieur (Fig. 5).

3. Alignez la rondelle sur l'arbre du moteur et montez-la sur l'arbre du moteur.

4. Montez le boulon sur l'arbre du moteur. Serrez le boulon à la main dans le sens des aiguilles d'une montre.

5. Déplacez la lame à la main pour aligner les deux trous dans la lame sur les deux trous dans la bride de fixation (Fig. 6).

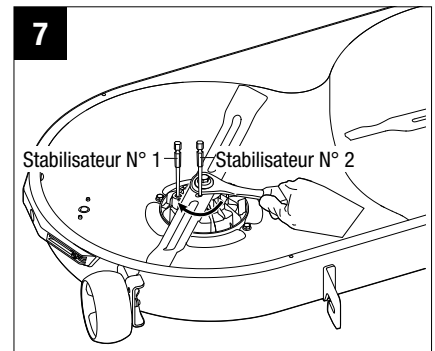
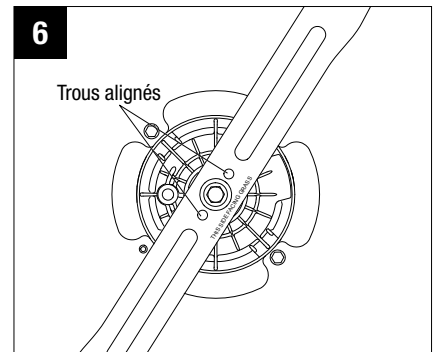
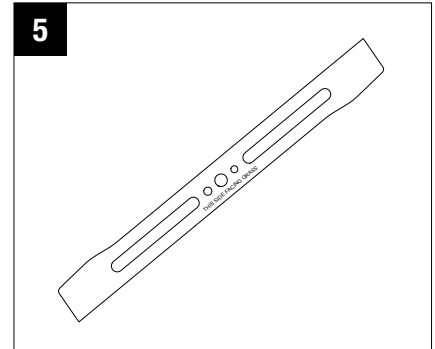
6. Placez une tige en métal d'un diamètre inférieur à 6,35 mm / 1/4 po (p. ex., une mèche) dans le trou aligné de la lame et de la bride de fixation pour servir de stabilisateur. Placez un autre tournevis ou une tige en métal d'un diamètre inférieur à 8 mm / 5/16 po dans le trou de fixation du moteur afin de servir de stabilisateur (Fig. 7).

7. Utilisez une clé dynamométrique de 14 mm / 9/16 po pour serrer le boulon dans le sens des aiguilles d'une montre. Le couple recommandé pour le boulon de fixation de la lame est de 50-55 Nm / 36-41 pi-lb.

8. Suivez la même procédure avec la deuxième lame si nécessaire

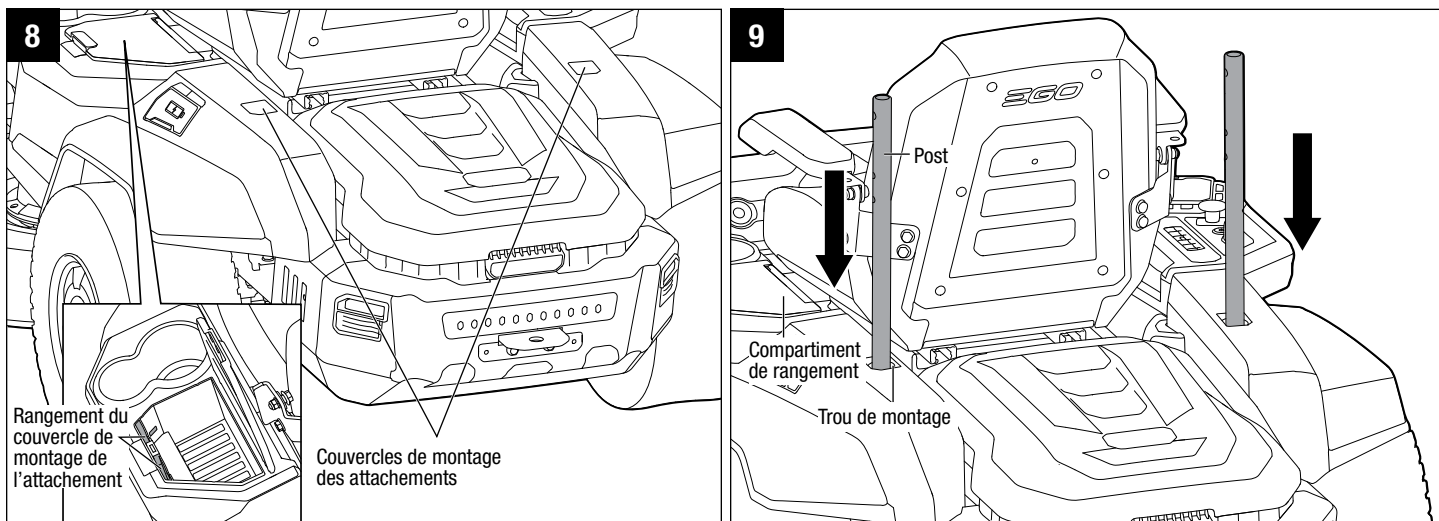
9. Remontez le plateau sur la tondeuse dans le sens inverse de celui du démontage.

⚠ AVERTISSEMENT : Assurez-vous que la lame est bien en place et que l'écrou de fixation de la lame est serré conformément aux spécifications de couple ci-dessus. Si la lame n'est pas sécurisée correctement, elle risquerait de se détacher et de causer des blessures graves.



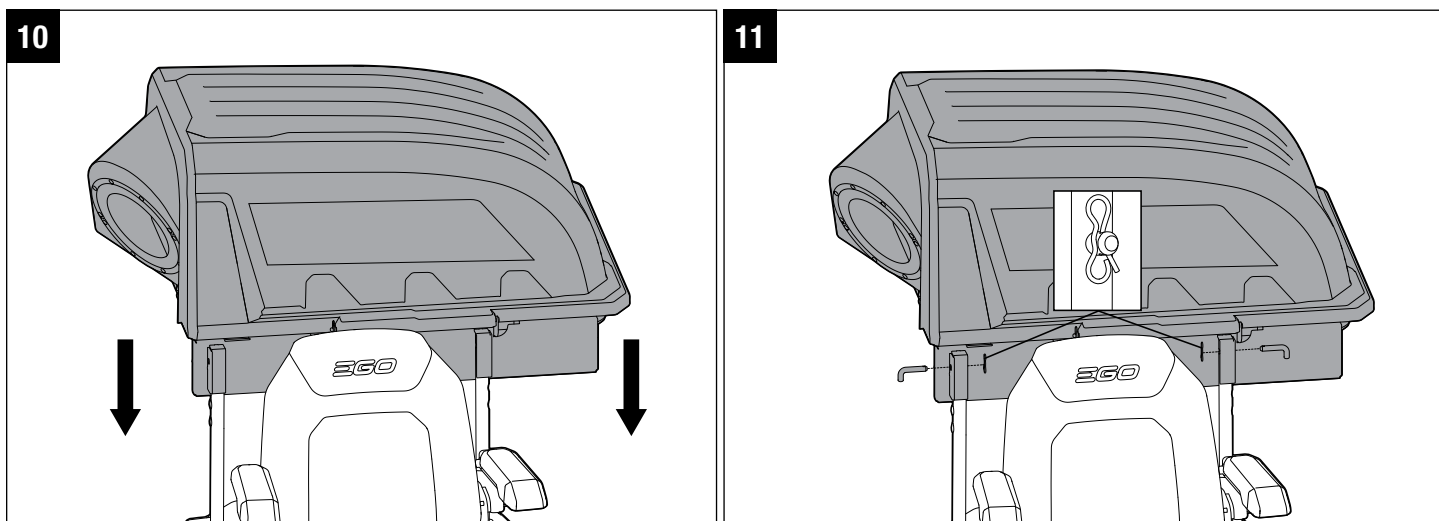
ASSEMBLAGE ET INSTALLATION DE L'ENSACHEUSE À HERBE

1. Retirez les deux couvercles de montage des attachements de la tondeuse pour exposer deux trous de montage (Fig. 8). Placez les couvercles de montage des attachements dans le compartiment de rangement de votre tondeuse.
2. Insérez les montants dans les trous de montage de la tondeuse comme illustré (Fig. 9).

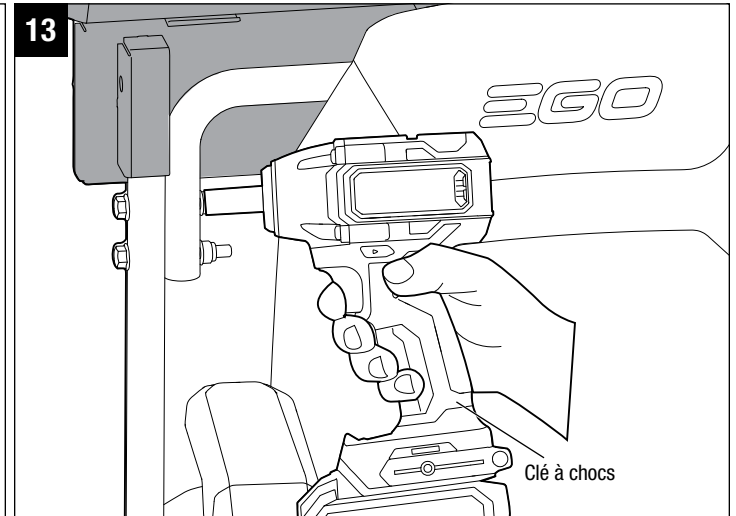
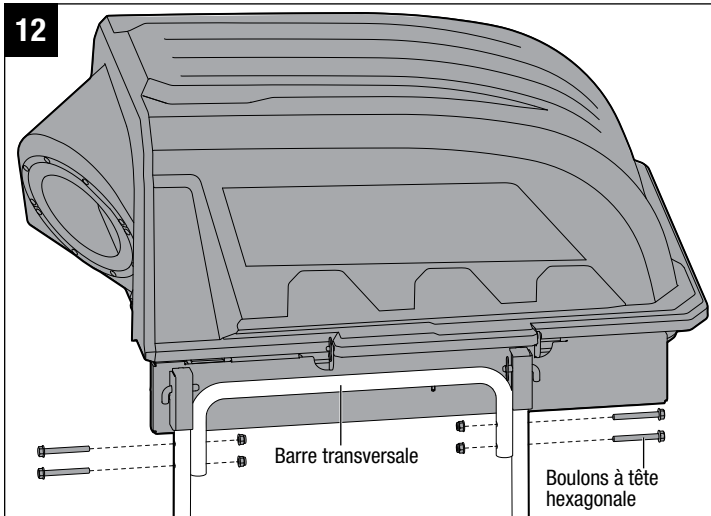


3. Soulevez l'ensemble de couvercle du haut au-dessus des montants et abaissez-le de telle manière que les pointes du haut des montants soient insérées dans l'ensemble de couvercle du haut comme illustré (Fig. 10). Pour simplifier le processus, il est recommandé que deux personnes fassent ceci ensemble. Insérez deux broches de verrouillage dans les trous et sécurisez-les au moyen des broches de rétention (Fig. 11).

⚠ AVERTISSEMENT : L'utilisation de ce produit avec des boulons qui ne sont pas sécurisés de façon adéquate pourrait causer des blessures graves.



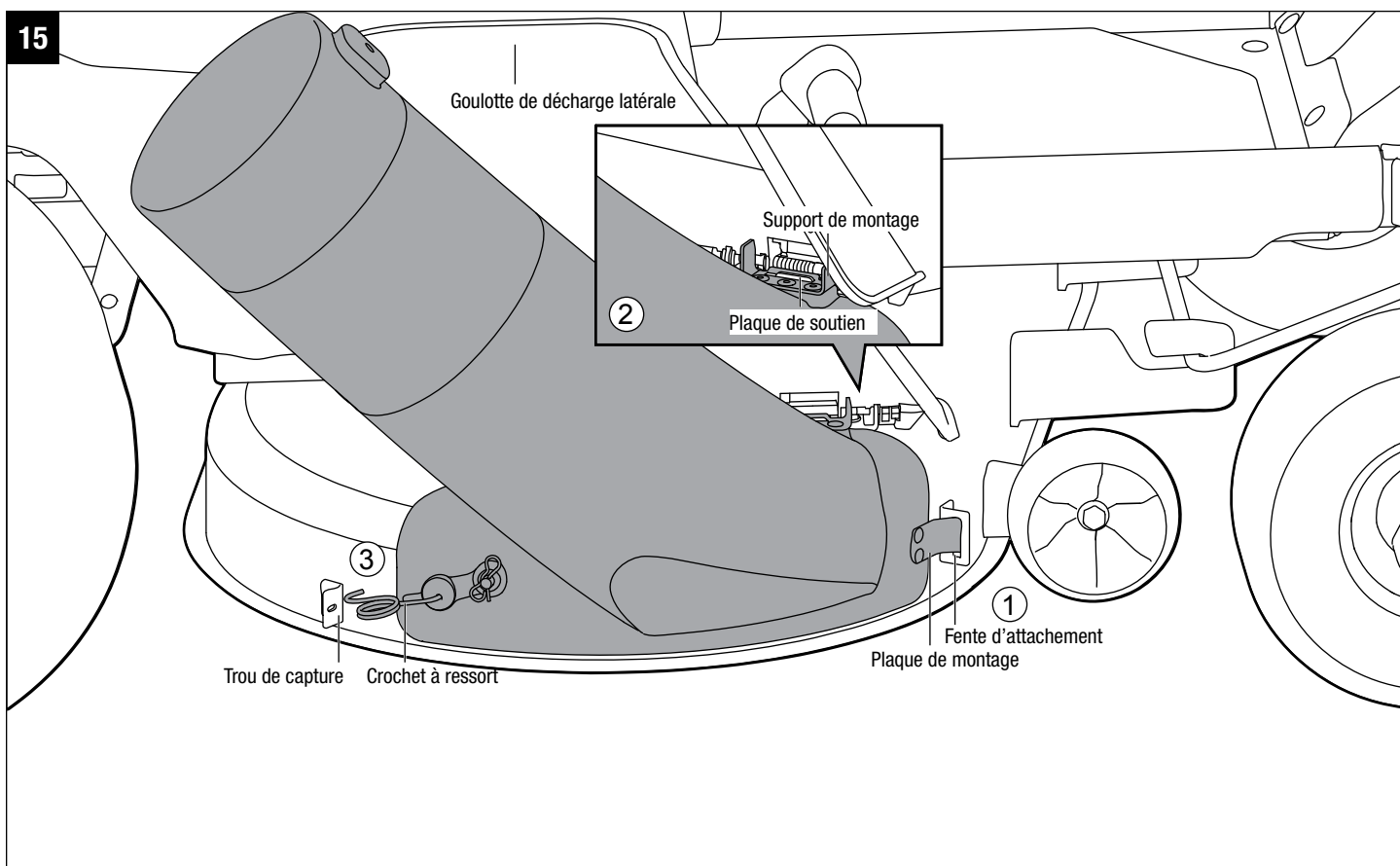
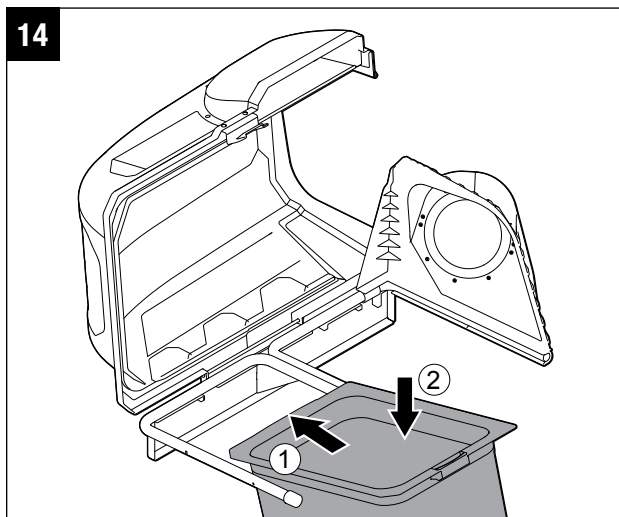
4. Tenez la barre transversale entre les montants pour aligner les deux trous de montage aux deux extrémités de la barre transversale sur les deux trous de montage inférieurs de chaque montant. Préinstallez quatre boulons à tête hexagonale des deux côtés et serrez à la main les boulons et les écrous (Fig. 12).
5. Serrez ensuite à fonds tous les quatre boulons des deux côtés au moyen d'une clé à chocs avec une douille de 13 mm / 1/2 po (non incluse) (Fig. 13).



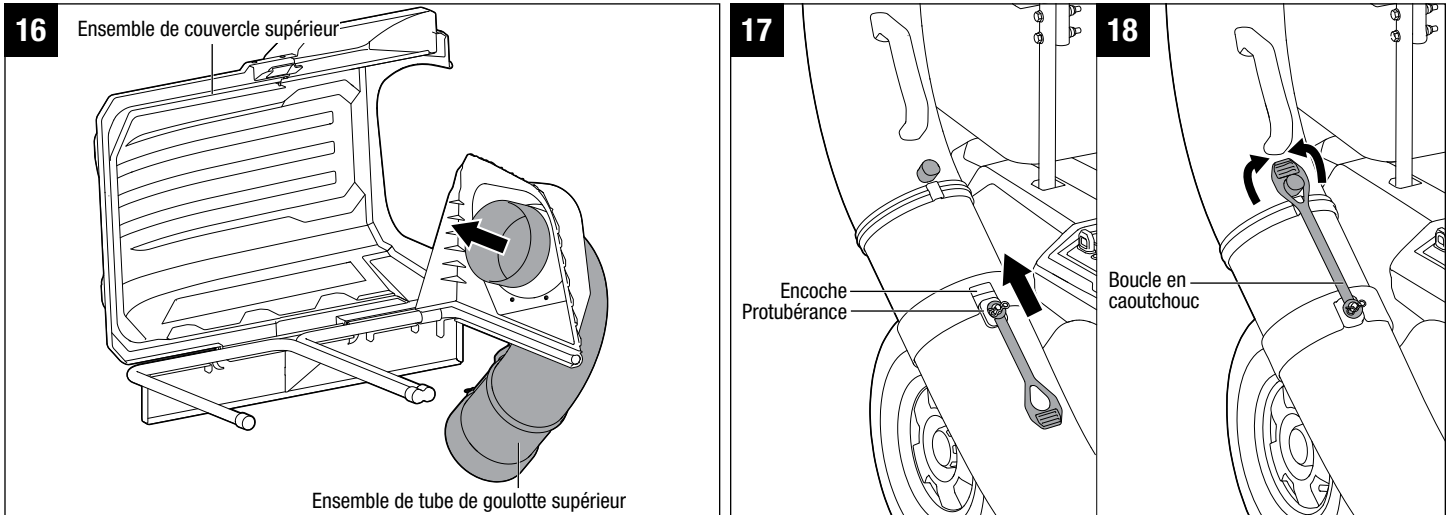
6. Installez les deux ensembles d'ensacheuses sur l'ensemble de couvercle du haut en insérant le bord avant en premier, puis arrangez le bord arrière de telle manière qu'il tienne dans l'ensemble comme illustré à la Fig.14.

7. Soulevez la goulotte de décharge latérale de la tondeuse et maintenez-la en position ouverte, puis installez l'ensemble de goulotte de décharge latérale sur la tondeuse en suivant les trois étapes indiquées ci-dessous (Fig. 15) :

- a. Insérez la plaque de montage dans la fente d'attache-ment de la tondeuse.
- b. Alignez la plaque de soutien de la tondeuse sur la fente du support de montage et insérez-la dedans.
- c. Tirez sur le crochet à ressort pour le sécuriser dans le trou de capture de la tondeuse.



8. Insérez le haut de l'ensemble de tube de goulotte du haut dans l'ensemble de couvercle du haut (Fig. 16).
9. Alignez la protubérance sur l'encoche et faites glisser l'ensemble de tube de goulotte du haut dans l'ensemble de tube de goulotte du bas (Fig. 17). Tirez sur la boucle en caoutchouc jusqu'à ce qu'elle soit accrochée au tube de goulotte du haut (Fig. 18).

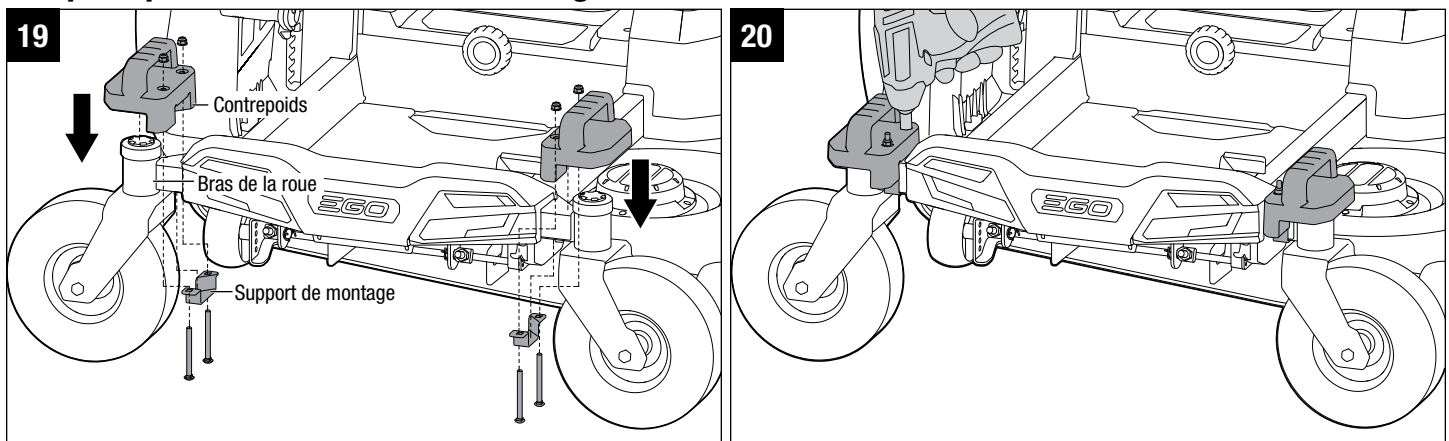


INSTALLATION DES CONTREPOIDS

⚠ AVERTISSEMENT : Les contrepoids sont nécessaires lorsque vous utilisez la tondeuse à rayon de braquage zéro avec une ensacheuse à herbe installée sur la tondeuse. Le fait de ne pas installer les contrepoids nécessaires pourrait causer de graves blessures, voire la mort de quelqu'un.

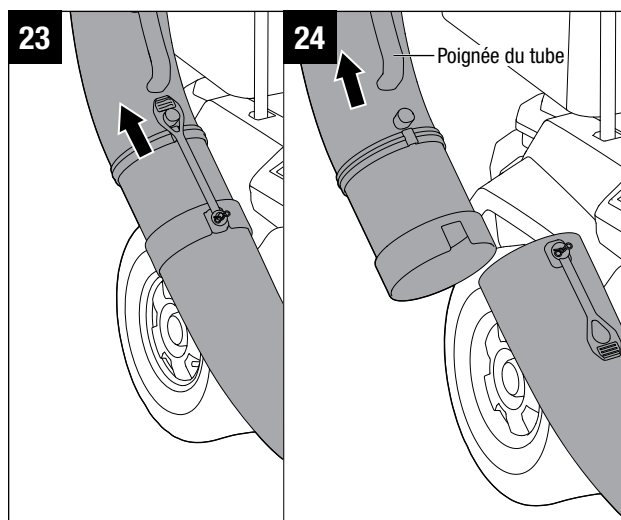
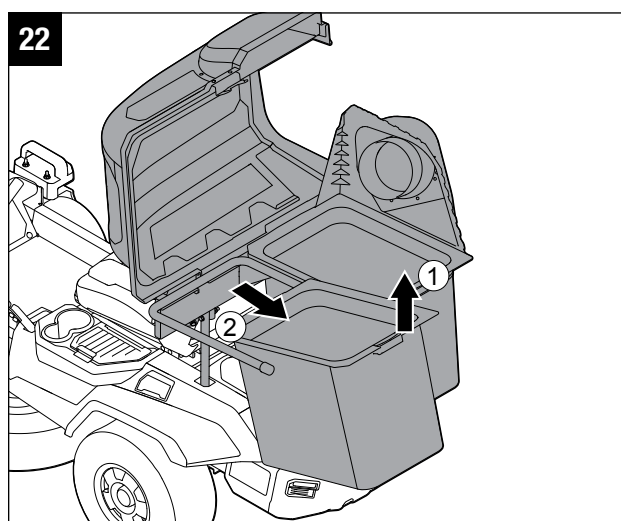
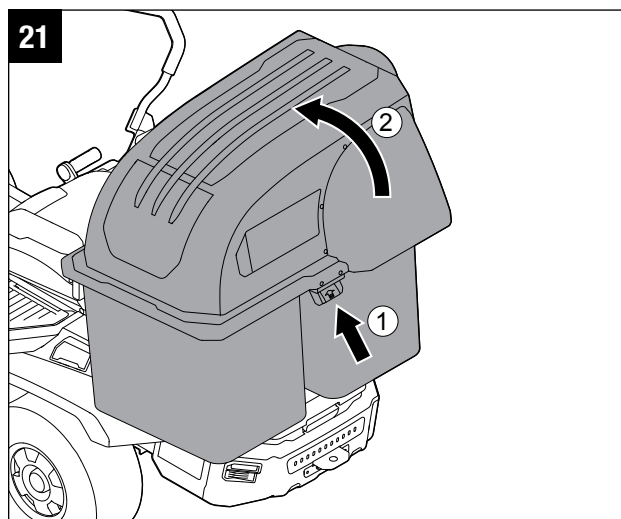
1. Tournez les deux roues avant de la tondeuse de telle manière qu'elles soient perpendiculaires au corps et qu'elles soient dirigées vers l'extérieur.
2. Insérez le support de montage de gauche sous le bras de la roue de gauche et placez le contrepoids de gauche sur le devant de la tondeuse comme illustré à la Fig. 19. Suivez ensuite la même procédure pour installer le contrepoids de droite.
3. Préinstallez quatre boulons à tête plate sur les deux contrepoids et serrez à la main les boulons et les écrous. Serrez ensuite à fonds tous les quatre boulons à tête plate des deux côtés au moyen d'une clé à chocs avec une douille de 13 mm / 1/2 po (non incluse) (Fig. 20).

⚠ AVERTISSEMENT : L'utilisation de ce produit avec des boulons qui ne sont pas sécurisés de façon adéquate pourrait causer des blessures graves.



FONCTIONNEMENT

- Lorsque les deux ensacheuses à herbe sont pleines, placez la tondeuse à rayon de braquage zéro sur une surface ferme et de niveau, et activez le frein de stationnement. Arrêtez les moteurs et retirez la clé de sécurité pour éviter tout risque de démarrage accidentel.
1. Ouvrez le couvercle de l'ensacheuse à herbe en commençant par enfoncer la poignée du couvercle, puis soulevez cette poignée (Fig. 21).
 2. Retirez les deux ensembles d'ensacheuses en soulevant le bord avant en premier, puis en faisant glisser le bord arrière vers l'avant jusqu'à ce qu'il soit sorti du cadre (Fig. 22).
 3. Videz les tontes de gazon dans une décharge appropriée.
 4. Remettez les deux ensembles d'ensacheuses en place et fermez le couvercle. Remettez ensuite votre tondeuse en marche pour recommencer à couper le gazon.
- Lorsque les tontes de gazon sont bloquées dans le tube de la goulotte de décharge, placez la tondeuse à rayon de braquage zéro sur une surface ferme et de niveau, et activez le frein de stationnement. Arrêtez les moteurs et retirez la clé de sécurité pour éviter tout risque de démarrage accidentel.
1. Tirez sur la boucle en caoutchouc pour déverrouiller les tubes des goulottes du haut et du bas (Fig. 23).
 2. Tenez la poignée du tube pour faire glisser le tube de la goulotte du haut vers l'extérieur. Saisissez la poignée du tube pour déverser les tontes de gazon qui étaient bloquées dans une décharge appropriée (Fig. 24).
 3. Remettez l'ensemble de tube de la goulotte du haut en place comme illustré à l'Étape 8 de la section intitulée « **MONTAGE ET INSTALLATION DE LA TONDEUSE À RAYON DE BRAQUAGE ZÉRO** ». Remettez ensuite votre tondeuse en marche pour recommencer à couper le gazon.



GARANTIE

POLITIQUE D'EGO EN MATIÈRE DE GARANTIE

Garantie limitée de 5 ans sur les équipements d'alimentation électrique d'extérieur EGO POWER+ et les équipements d'alimentation électrique portable pour un usage personnel et domestique.

Garantie limitée de 3 ans sur les blocs-piles et chargeurs du système EGO POWER+ pour un usage personnel et domestique. Une extension de garantie supplémentaire de deux ans s'applique à la pile de 10,0 Ah, qu'elle soit vendue séparément (Modèle N° BA5600T) ou incluse avec un outil quelconque, à condition d'être enregistrée dans les 90 jours de l'achat. Garantie limitée de cinq ans sur le chargeur CHV1600, conçu pour être employé avec la tondeuse à conducteur porté à rayon de braquage zéro pour utilisation personnelle, résidentielle.

Garantie limitée de 2 ans/1 an sur les équipements d'alimentation électrique d'extérieur, les équipements d'alimentation électrique portables, les blocs-piles et les chargeurs EGO pour un usage professionnel et commercial.

Les périodes de garantie détaillées de chaque produit sont indiquées en ligne à l'adresse <http://egopowerplus.com/warranty-policy>.

Veillez contacter le Service clientèle d'EGO en téléphonant au 1-877-346-9876 (877-EGO-ZTRM) (appel gratuit) à tout moment en cas de questions ou si vous voulez vous prévaloir de la garantie.

GARANTIE LIMITÉE

Les produits EGO sont garantis contre tout défaut de matériel ou de fabrication à compter de la date d'achat d'origine pour la période de garantie applicable. Les produits défectueux recevront une réparation gratuite.

- a) Cette garantie ne s'applique qu'à l'acheteur original auprès d'un revendeur agréé EGO, et elle ne peut pas être cédée. Les revendeurs agréés EGO sont identifiés en ligne à l'adresse <http://egopowerplus.com/warranty-policy>
- b) La période de garantie pour les produits remis en état ou certifiés par l'usine utilisés à des fins résidentielles est de 1 an, et de 90 jours lorsqu'ils sont utilisés à des fins industrielles, professionnelles ou commerciales.
- c) La période de garantie pour les pièces d'entretien de routine, telles que, mais sans s'y limiter, le siège de la tondeuse à conducteur porté, les roues, les pneus, les roues anti-scalp, le disque de frein, le bloc de friction, les lames, les têtes de coupe, les barres de chaîne, les chaînes de scie, les courroies, les barres de raclage, les palettes en caoutchouc, les tarières, les patins, les buses de soufflante et tous les autres accessoires EGO est de 90 jours à des fins résidentielles ou de 30 jours à des fins industrielles, professionnelles ou commerciales. Ces pièces sont couvertes pendant 90 ou 30 jours contre tout défaut de fabrication dans des conditions d'utilisation normales.
- d) La présente garantie n'est pas valide si le produit a été utilisé aux fins de location.
- e) La présente garantie ne couvre pas les dommages résultant d'une modification, d'une altération ou d'une réparation non autorisée.
- f) Cette garantie couvre uniquement les défauts survenant dans des conditions normales d'utilisation et ne couvre aucun dysfonctionnement ou défaut ni aucune défaillance découlant d'un usage inapproprié ou abusif (notamment la surcharge du produit et son immersion dans l'eau ou dans tout autre liquide), d'un accident, d'une négligence, d'une installation inadéquate et de tout entretien ou entreposage inadéquat.
- g) La présente garantie ne couvre pas la détérioration normale du fini extérieur, notamment les rayures, les bosselures, les craquelures de la peinture ou toute corrosion ou décoloration résultant de la chaleur, de produits abrasifs ou de nettoyeurs chimiques.

RÉCLAMATION AU TITRE DE LA GARANTIE

Pour faire une réclamation au titre de la garantie, veuillez communiquer avec le service à la clientèle d'EGO au **877-346-9876 (877-EGO-ZTRM)** (numéro sans frais). Lorsque vous faites une réclamation au titre de la garantie, vous devez présenter le reçu de vente original. Un centre de service autorisé sera sélectionné pour la réparation du produit conformément aux conditions de garantie prescrites. Il se peut qu'un petit dépôt soit exigé lorsque vous laissez votre outil dans un centre de service autorisé. Ce dépôt est remboursable lorsque le service de réparation est considéré comme étant couvert par la garantie.

RESTRICTIONS SUPPLÉMENTAIRES

Dans la mesure permise par la loi en vigueur, toutes les garanties implicites, y compris les garanties de QUALITÉ MARCHANDE ou D'ADÉQUATION À UN USAGE PARTICULIER, sont exclues. Toute garantie implicite, y compris la garantie de qualité marchande ou d'adéquation à un usage particulier, qui ne peut être rejetée en vertu de la loi de l'État ou de la province est limitée à la période de garantie applicable définie au début de cet article.

Chervon North America n'est pas responsable des dommages accessoires, consécutifs, indirects ou directs.

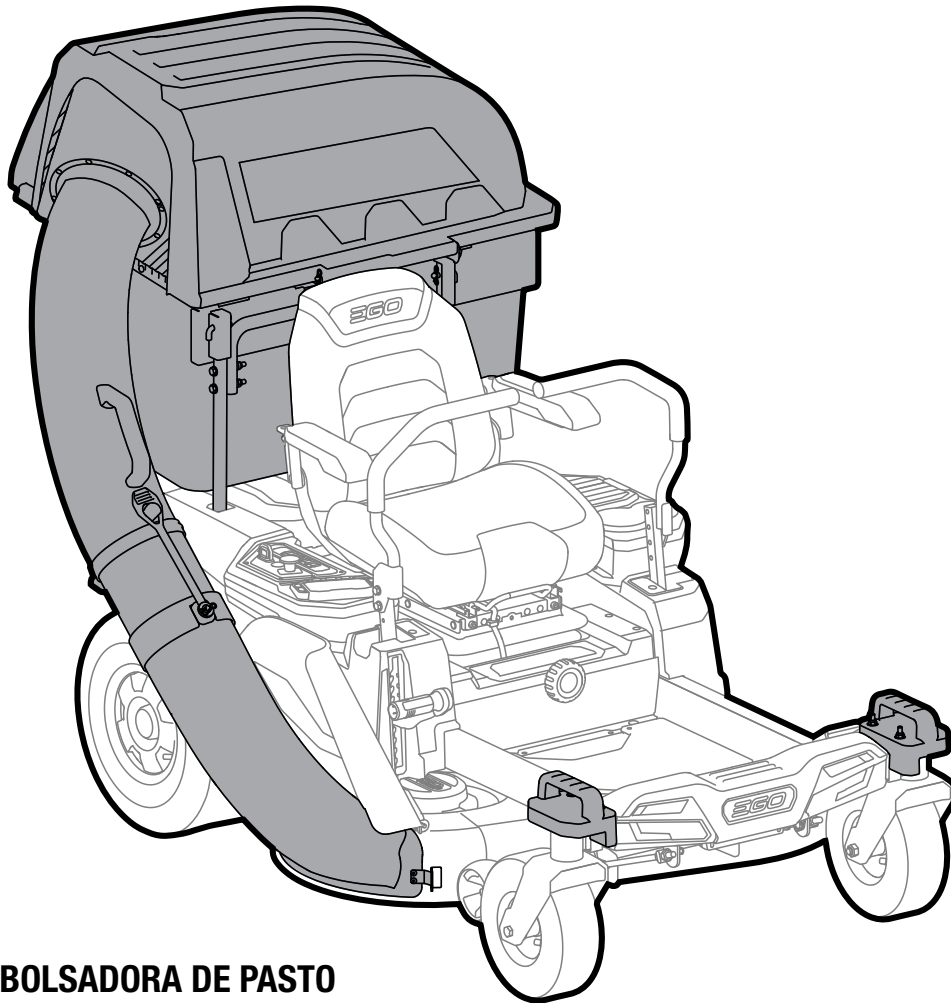
Certaines provinces n'autorisent pas les restrictions de durée de garantie implicite, ou l'exclusion ou la restriction des dommages consécutifs et accessoires; c'est pourquoi les restrictions ci-dessus peuvent ne pas s'appliquer à votre cas.

Cette garantie vous confère des droits précis. Il est possible que vous disposiez également d'autres droits, qui varient d'une province à l'autre.

Pour communiquer avec le service à la clientèle, veuillez composer le numéro sans frais suivant : **877-346-9876 (877-EGO-ZTRM)** ou consulter le site Web **EGOPOWERPLUS.COM**.

EGO Customer Service, 769 SEWARD AVE NW / Suite 102 Grand Rapids, MI 49504, États-Unis.

EGO™



**ESTE KIT DE EMBOLSADORA DE PASTO
ES COMPATIBLE EXCLUSIVAMENTE
CON LA CORTADORA DE CÉSPED
ELÉCTRICA CON RADIO DE GIRO CERO
EGO POWER+ ZT4200L/ZT4200L-FC/
ZT4200S/ZT4200S-FC.**

MANUAL DEL OPERADOR **KIT DE EMBOLSADORA DE PASTO**

NÚMERO DE MODELO ABK4200

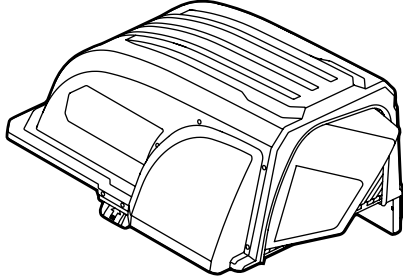
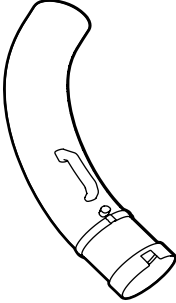
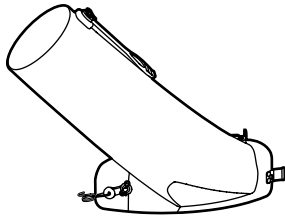
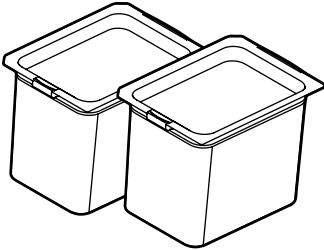
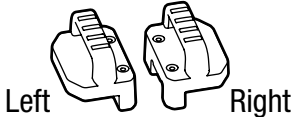


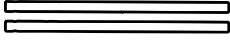
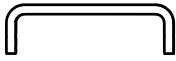

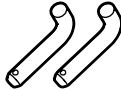

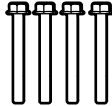

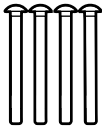

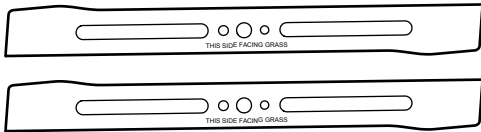
ADVERTENCIA: Para reducir el riesgo de lesiones, el usuario debe leer y entender el manual del operador antes de utilizar este producto. Guarde estas instrucciones para referencia futura.

ÍNDICE

Lista de empaquetamiento	31-32
Ensamblaje e instalación.....	33-39
Utilización	40
Garantía	41-42

LISTA DE EMPAQUETAMIENTO

NOMBRE DE LA PIEZA	FIGURA	CANTIDAD
Ensamblaje de la cubierta superior		1
Ensamblaje del tubo del conducto superior		1
Ensamblaje del tubo del conducto inferior		1
Ensamblaje de la embolsadora		2
Contrapeso		2

<p>Poste</p>		<p>2</p>
<p>Barra transversal</p>		<p>1</p>
<p>Soporte de montaje</p>		<p>2</p>
<p>Pasador de fijación</p>		<p>2</p>
<p>Pasador de retención</p>		<p>2</p>
<p>Conjunto de pernos de cabeza hexagonal y tuercas</p>	 <p>M8*70 </p>	<p>4</p>
<p>Conjunto de pernos escalonados y tuercas</p>	 <p>M8*90 </p>	<p>4</p>
<p>Cuchilla embolsadora</p>		<p>2</p>

ENSAMBLAJE E INSTALACIÓN

⚠ ADVERTENCIA: Si alguna pieza está dañada o falta, no ensamble este producto hasta que la pieza haya sido reemplazada. El uso de este producto con piezas dañadas o si le faltan piezas podría causar lesiones corporales graves.

⚠ ADVERTENCIA: No intente modificar este producto ni crear accesorios no recomendados. Cualquiera de dichas alteraciones o modificaciones constituye un uso incorrecto y podría provocar una situación peligrosa que cause lesiones corporales graves.

⚠ ADVERTENCIA: Antes de realizar el ensamblaje o la instalación, coloque la cortadora de césped de radio de giro cero sobre una superficie firme y nivelada y active el freno de estacionamiento. Pare los motores y retire la llave de seguridad para prevenir los arranques accidentales.

DESEMPAQUETADO

- Este producto requiere ensamblaje e instalación en la cortadora de césped de radio de giro cero.
- Saque cuidadosamente todos los artículos de la caja. Asegúrese de que todos los artículos indicados en la lista de empaquetamiento estén incluidos.
- Inspeccione minuciosamente la herramienta para asegurarse de que no se hayan producido roturas o daños durante el envío.
- No deseche el material de empaquetamiento hasta que haya inspeccionado minuciosamente y utilizado satisfactoriamente la herramienta.
- Si cualquier pieza está dañada o falta, sírvase devolver el producto al lugar de compra.

REEMPLAZO DE LA CUCHILLA

⚠ ADVERTENCIA: La cuchilla se debe utilizar en combinación con la embolsadora de pasto. EL uso de esta cuchilla sin la embolsadora de pasto instalada en la posición correcta podría causar lesiones corporales graves.

Para retirar la cuchilla de corte

⚠ ADVERTENCIA: Protéjase siempre las manos usando guantes gruesos o envolviendo los bordes de corte con trapos u otros materiales cuando realice cualquier mantenimiento en la cuchilla de la cortadora de césped. Retire siempre la llave de seguridad y los paquetes de batería cuando realice servicio de ajustes y reparaciones o transporte la cortadora de césped.

AVISO: Se requieren las siguientes herramientas (no incluidas) para reemplazar la cuchilla:

- Llave de tuerca de 9/16 de pulgada (14 mm)
- Llave de torsión con bocallaves de 9/16 de pulgada (14 mm)
- Destornillador o varilla metálica de 5/16 de pulgada (8 mm) o menos
- Destornillador o varilla metálica de 1/4 de pulgada (6,35 mm) o menos

Herramientas que facilitan la vida: La llave de impacto con bocallaves de 9/16 de pulgada (14 mm) hace que la retirada de los pernos de las cuchillas sea mucho más fácil.

1. Estacione la cortadora de césped en una superficie nivelada y active el freno de estacionamiento.
2. Pare los motores y retire la llave de seguridad. Deje que las cuchillas de corte se detengan por completo.

3. Ajuste la palanca de ajuste de la altura de la plataforma en la posición de altura de corte más baja.

4. Desconecte los cables de los motores de las cuchillas.

5. Coloque una alfombra o un tapete (de tamaño similar al de la plataforma) debajo de la plataforma para prevenir daños a la misma.

6. Retire los pasadores de chaveta y empuje hacia fuera los pasadores de vástago. Guarde ambos conjuntos para reensamblar la plataforma (Fig. 1a, b y c).

7. Empuje la plataforma hacia delante (hacia las ruedas delanteras) y rote el varillaje de suspensión en sentido contrario al de las agujas del reloj para que se libere de los ganchos de la plataforma (Fig. 1a).

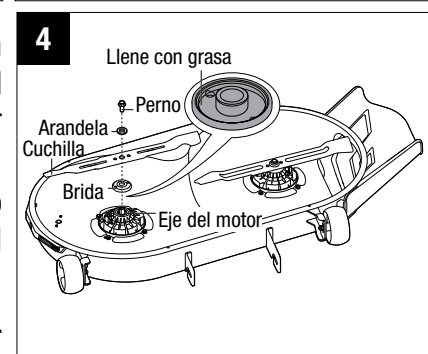
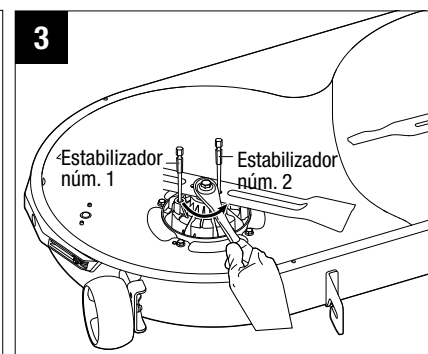
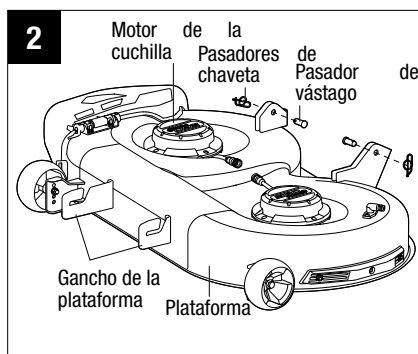
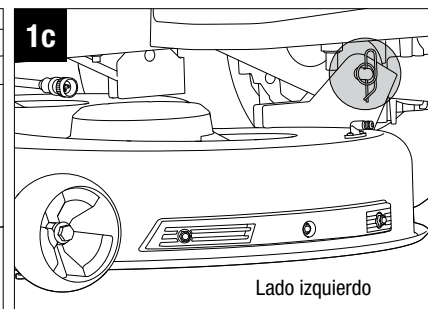
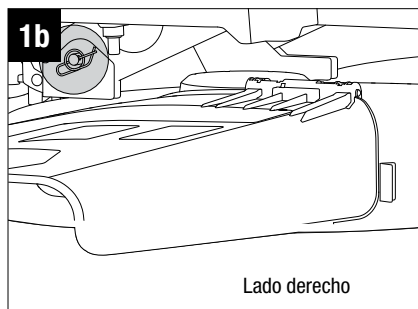
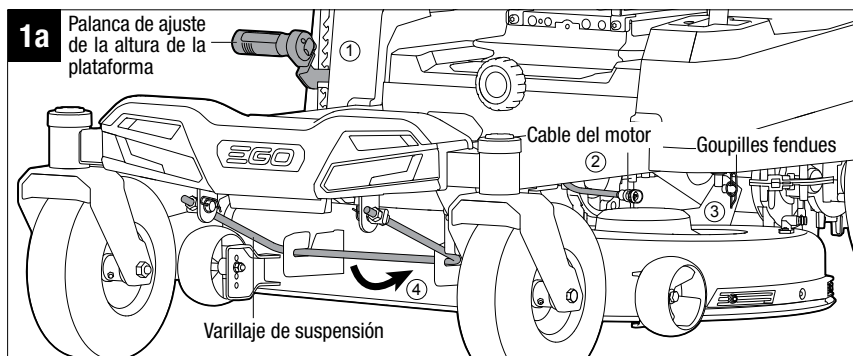
8. Empuje la plataforma hacia un lado y retírela de debajo de la cortadora de césped (Fig. 2).

9. Invierta la plataforma sobre el piso con las cuchillas orientadas hacia arriba.

10. Mientras usa guantes protectores, coloque un destornillador o una varilla metálica con un diámetro de menos de 5/16 de pulgada (8 mm) en el agujero de fijación ubicado en el motor para que actúe como estabilizador. Coloque otra varilla metálica con un diámetro de menos de 1/4 de pulgada (6,35 mm) (p. ej., una broca) en el agujero alineado de la cuchilla y la brida para que actúe como otro estabilizador (Fig. 3).

11. Utilice una llave ajustable o una llave de tubo de 9/16 de pulgada (14 mm) (no incluida) para girar el perno de la hoja en sentido contrario al de las agujas del reloj con el fin de aflojarlo (Fig. 3).

12. Mientras usa guantes protectores, retire el perno, la arandela y la cuchilla (Fig. 4). La brida se puede guardar en el eje del motor.



Para instalar la cuchilla de corte

⚠️ ADVERTENCIA: Protéjase siempre las manos usando guantes gruesos o envolviendo los bordes de corte con trapos u otros materiales cuando realice cualquier mantenimiento en la cuchilla de la cortadora de césped. Retire siempre la llave de seguridad y el paquete de batería cuando realice servicio de ajustes y reparaciones o transporte la cortadora de césped.

AVISO: Para reinstalar o reemplazar la cuchilla, asegúrese de que todas las piezas se reinstalen en el orden exacto en que se retiren (Fig. 4).

1. Si la brida se retira durante la remoción de la cuchilla, alinéela primero con el eje del motor y luego ensámblela en la posición correcta.

AVISO: Cada 50 horas: examine el nivel de grasa en el interior de la brida volteándola hasta la posición invertida. Si la cantidad de grasa es baja, llene el área cóncava de la brida con grasa para engranajes antes de realizar el reensamblaje. Se recomienda grasa que pueda cumplir con los siguientes requisitos:

- NLGI Grade Penetration: NLGI-3;
- Tipo de espesante: Espesante de jabón de litio;
- Intervalo de temperatura de funcionamiento recomendado: -4 – 248 °F (-20 – 120 °C).

2. Mientras usa guantes protectores, posicione la cuchilla sobre la brida con la superficie marcada con las palabras “THIS SIDE FACING GRASS” (ESTE LADO ORIENTADO HACIA EL PASTO) orientadas hacia el exterior (Fig. 5).

3. Alinee la arandela con el eje del motor y móntela en el eje del motor.

4. Monte el perno en el eje del motor. Apriete a mano el perno en el sentido de las agujas del reloj.

5. Mueva la cuchilla con la mano para alinear los dos agujeros de la cuchilla con los dos agujeros de la brida (Fig. 6).

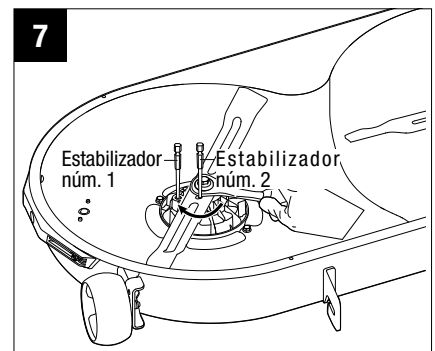
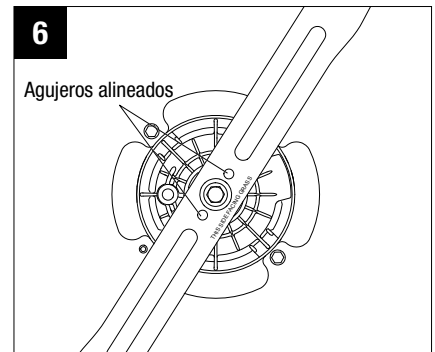
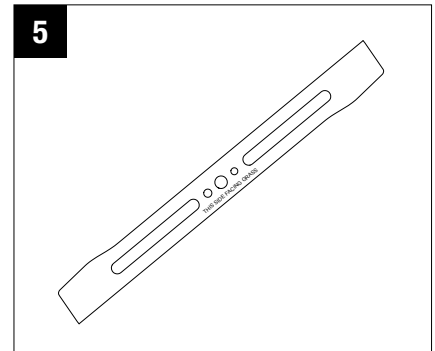
6. Coloque una varilla metálica con un diámetro de menos de 1/4 de pulgada (6,35 mm) (p. ej., una broca) en el agujero alineado de la cuchilla y la brida para que actúe como estabilizador. Coloque otro destornillador u otra varilla metálica con un diámetro de menos de 5/16 de pulgada (8 mm) en el agujero de fijación ubicado en el motor para que actúe como estabilizador (Fig. 7).

7. Utilice una llave de torsión de 9/16 pulgadas (14 mm) para apretar el perno en el sentido de las agujas del reloj. La fuerza de torsión recomendada para el perno de la cuchilla es 50-55 pies-lb (36-41Nm).

8. Repita el procedimiento con la segunda cuchilla, en caso de que sea necesario.

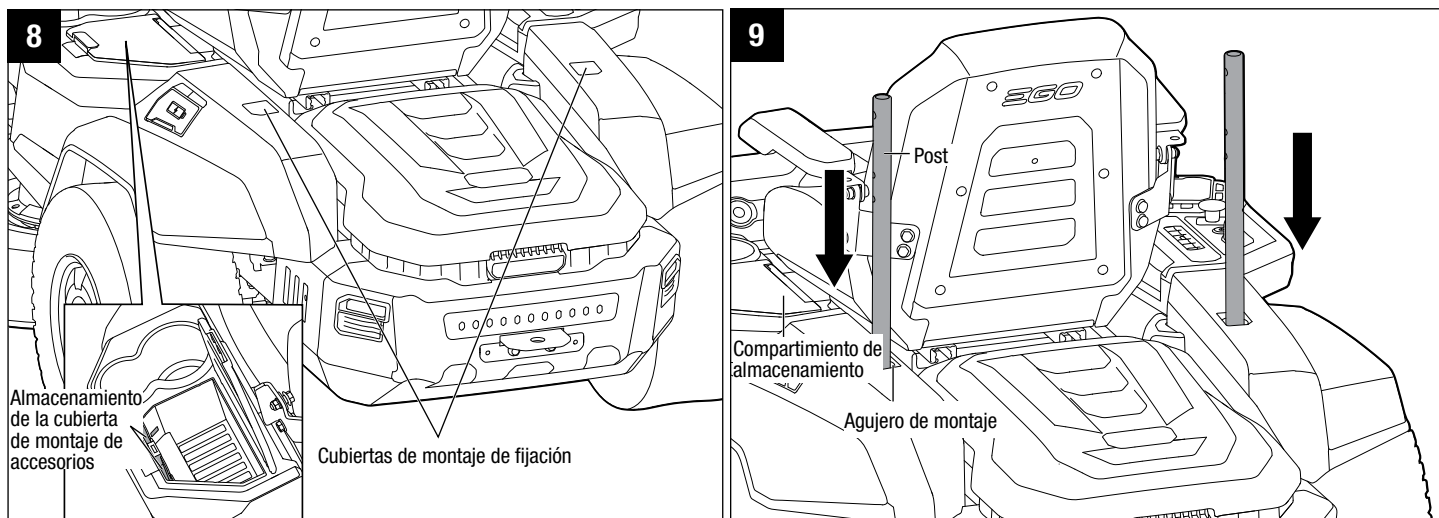
9. Reensamble la plataforma sobre la cortadora de césped en orden inverso.

⚠ ADVERTENCIA: Asegúrese de que la cuchilla esté asentada correctamente y que la tuerca de la cuchilla esté apretada de acuerdo con las especificaciones de fuerza de torsión indicadas anteriormente. El hecho de no sujetar correctamente la cuchilla podría hacer que esta se afloje y cause posibles lesiones corporales graves.



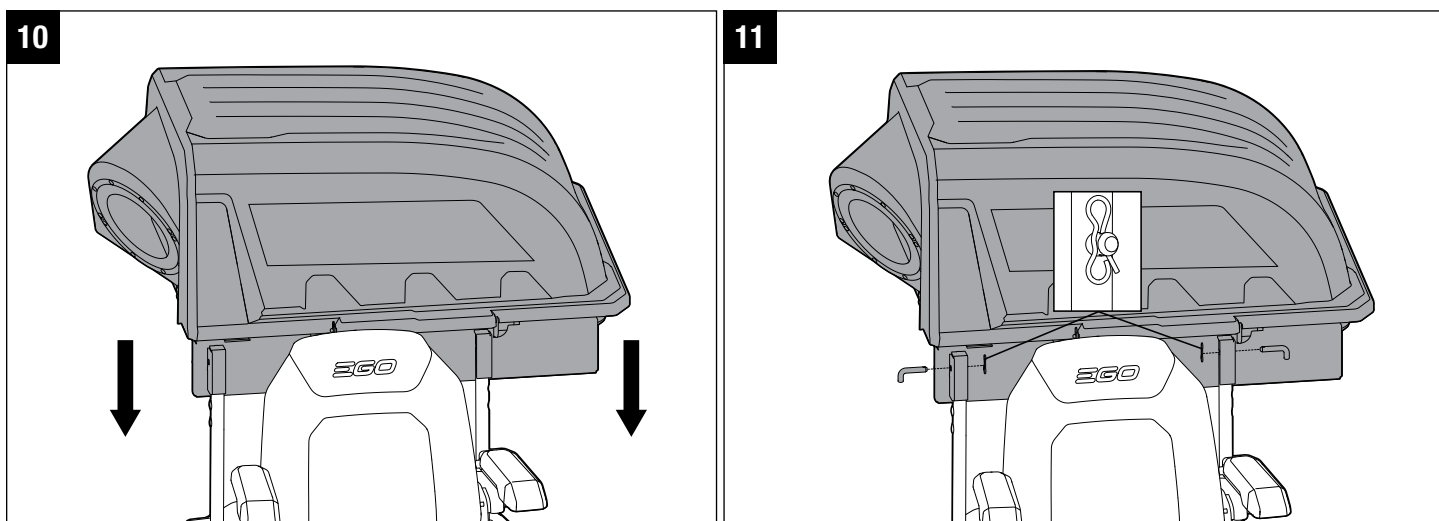
ENSAMBLAJE E INSTALACIÓN DE LA EMBOLSADORA DE PASTO

1. Retire las dos cubiertas de montaje de fijación de la cortadora de césped para dejar al descubierto los dos agujeros de montaje (Fig. 8). Ponga las cubiertas de montaje de fijación en el compartimiento de almacenamiento de la cortadora de césped.
2. Inserte los postes en los agujeros de montaje de la cortadora de césped de la manera que se muestra en la ilustración (Fig. 9).

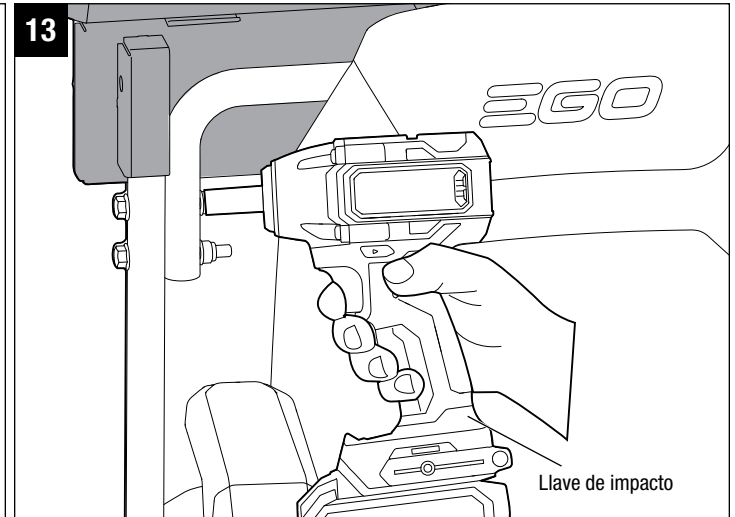
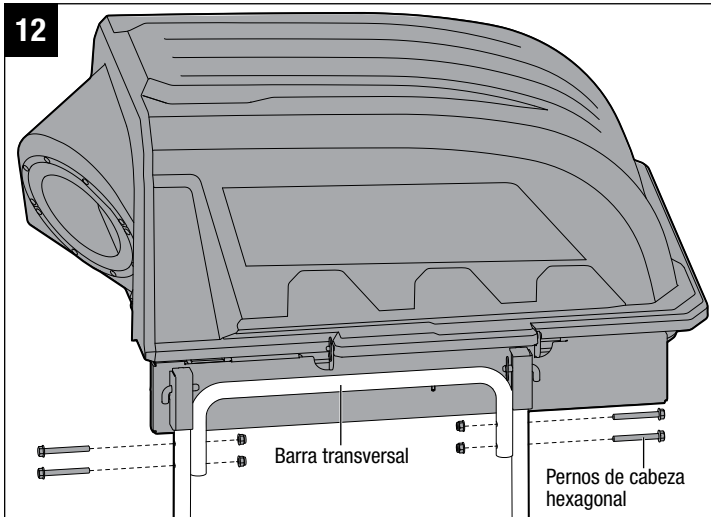


3. Levante el ensamblaje de la cubierta superior por encima de los postes y bájelo de manera que las puntas superiores de los postes se inserten en el ensamblaje de la cubierta superior de la manera que se muestra en la ilustración (Fig. 10). Para simplificar el proceso, se recomienda que dos personas realicen este paso. Inserte dos pasadores de fijación en los agujeros y fíjelos con los pasadores de retención (Fig. 11).

⚠ ADVERTENCIA: La utilización de este producto con pernos que no estén sujetos correctamente podría causar lesiones corporales graves.



4. Agarre la barra transversal entre los postes para alinear los dos agujeros de montaje ubicados en ambos extremos de la barra transversal con los dos agujeros de montaje inferiores de cada poste. Preinstale cuatro pernos de cabeza hexagonal en ambos lados y apriete con los dedos los pernos y las tuercas (Fig. 12).
5. Apriete firmemente los cuatro pernos en ambos lados por medio de una llave de impacto con una llave de vaso de 1/2 pulgada (13 mm) (no incluida) (Fig. 13).

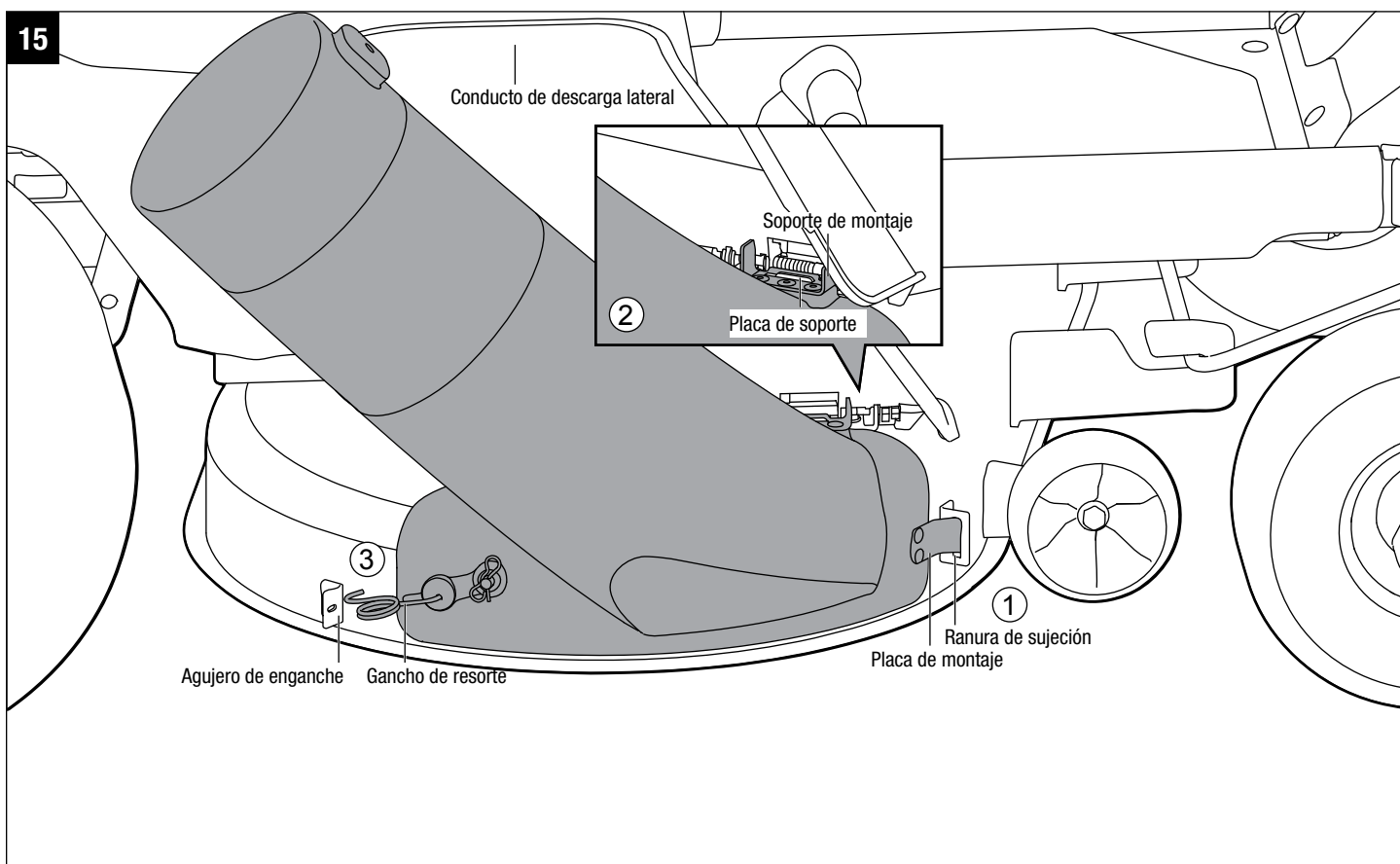
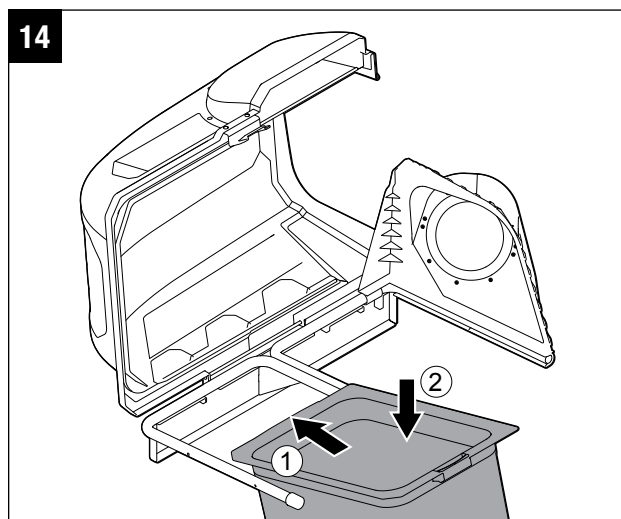


6. Instale ambos ensamblajes de embolsadora sobre el ensamblaje de la cubierta superior insertando primero el borde delantero y ajustando luego el borde trasero hacia abajo hasta que encaje en el ensamblaje de la manera que se muestra en la Fig. 14.

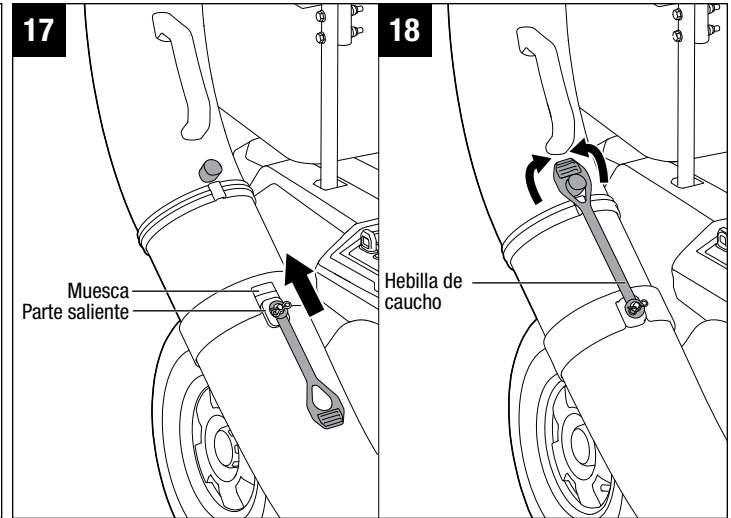
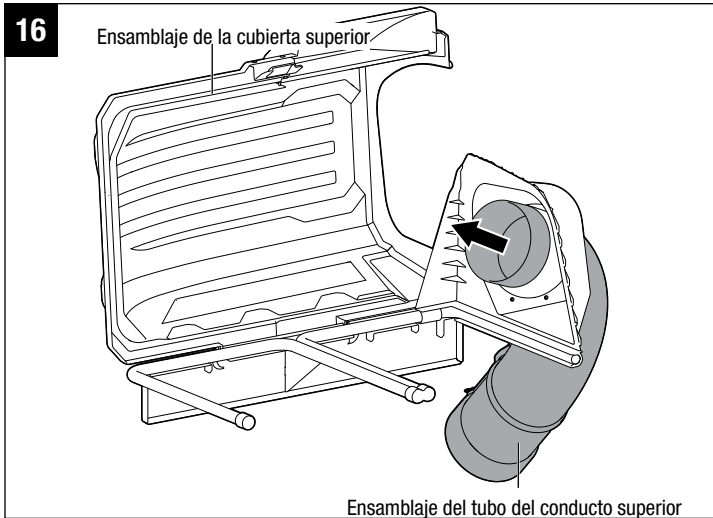
7. Con el conducto de descarga lateral de la cortadora de césped elevado y mantenido en posición abierta, instale el ensamblaje del tubo del conducto inferior en la cortadora de césped siguiendo estos tres pasos (Fig. 15):

- a. Inserte la placa de montaje en la ranura de sujeción de la cortadora de césped.
- b. Alinee la placa de soporte ubicada en la cortadora de césped con la ranura del soporte de montaje e insértela en dicha ranura.

c. Estire el gancho de resorte para fijarlo al agujero de enganche de la cortadora de césped.



8. Inserte la parte superior del ensamblaje del tubo del conducto superior en el ensamblaje de la cubierta superior (Fig. 16).
9. Con la parte saliente alineada con la muesca, deslice el ensamblaje del tubo del conducto superior hacia el interior del ensamblaje del tubo del conducto inferior (Fig. 17). Estire la hebilla de caucho hasta que esté enganchada en el tubo del conducto superior (Fig. 18).

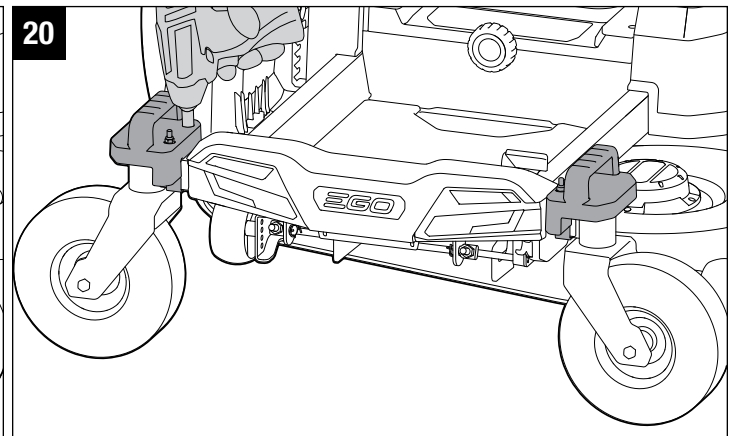
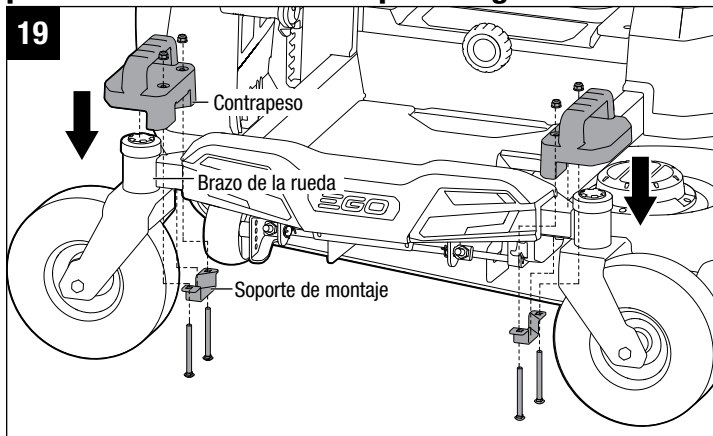


INSTALE LOS CONTRAPESOS

⚠ ADVERTENCIA: Se requieren los contrapesos cuando se utilice la cortadora de césped de radio de giro cero equipada con la embolsadora de pasto. Si no se instalan los contrapesos, es posible que el resultado sea lesiones graves o la muerte.

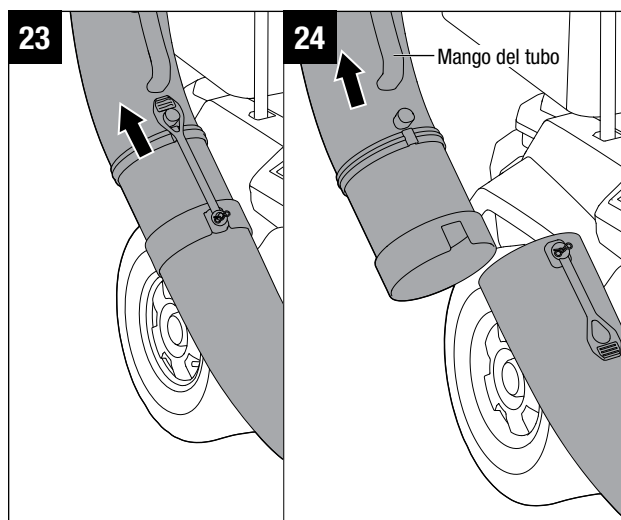
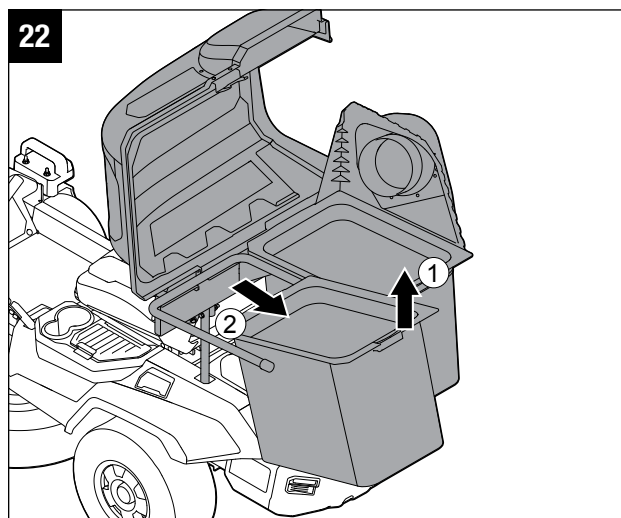
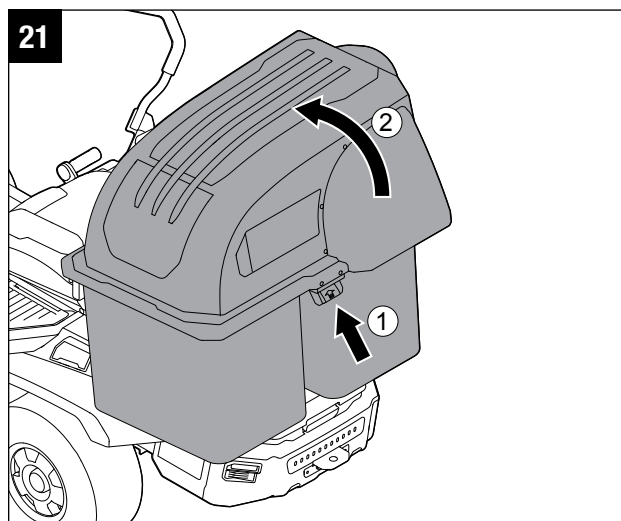
1. Gire las dos ruedas delanteras de la cortadora de césped de manera que estén perpendiculares al cuerpo y estén dirigidas hacia fuera.
2. Inserte el soporte de montaje izquierdo debajo del brazo de la rueda izquierda y coloque el contrapeso izquierdo en la parte delantera de la cortadora de césped de la manera que se muestra en la Fig. 19. Repita este paso para instalar el contrapeso derecho.
3. Preinstale cuatro pernos escalonados en ambos contrapesos y apriete con los dedos los pernos y las tuercas. Luego, apriete firmemente los cuatro pernos escalonados en ambos lados por medio de una llave de impacto con una llave de vaso de 1/2 pulgada (13 mm) (no incluida) (Fig. 20).

⚠ ADVERTENCIA: La utilización de este producto con pernos que no estén sujetos correctamente podría causar lesiones corporales graves.



UTILIZACIÓN

- Cuando ambas embolsadoras de pasto estén llenas, coloque la cortadora de césped de radio de giro cero sobre una superficie firme y nivelada y active el freno de estacionamiento. Pare los motores y retire la llave de seguridad para prevenir los arranques accidentales.
1. Abra la cubierta de la embolsadora de pasto empujando primero hacia dentro el mango de la cubierta y levantando luego dicho mango (Fig. 21).
 2. Retire ambos ensamblajes de embolsadora levantando primero el borde delantero y deslizando luego el borde trasero hacia delante y hacia arriba hasta que haya sobrepasado el armazón (Fig. 22).
 3. Vierta el pasto cortado en un lugar de eliminación adecuado.
 4. Reinstale ambos ensamblajes de embolsadora y cierre la cubierta. Rearranque la cortadora de césped para reanudar el corte del pasto.
- Cuando el pasto cortado esté bloqueado en el tubo del conducto, coloque la cortadora de césped de radio de giro cero sobre una superficie firme y nivelada y active el freno de estacionamiento. Pare los motores y retire la llave de seguridad para prevenir los arranques accidentales.
1. Estire la hebilla de caucho para desbloquear el tubo del conducto superior e inferior (Fig. 23).
 2. Agarre el mango del tubo para deslizar hacia fuera el tubo del conducto superior. Agarre el mango del tubo para verter hacia fuera el pasto cortado obstruido en un lugar de eliminación adecuado (Fig. 24).
 3. Reinstale el ensamblaje del tubo del conducto superior de la manera que se muestra en el Paso 8 de la sección **“ENSAMBLAJE E INSTALACIÓN EN LA CORTADORA DE CÉSPED DE RADIO DE GIRO CERO”**. Rearranque la cortadora de césped y reanude el corte del pasto.



GARANTÍA

POLÍTICA DE GARANTÍA

Garantía limitada de 5 años en equipos de energía para exteriores y energía portátil EGO POWER+ para uso doméstico personal.

Garantía limitada de 3 años en paquetes de batería y cargadores del Sistema EGO POWER+ para uso personal doméstico. Se aplica una garantía extendida adicional de 2 años para la batería de 10,0 Ah, tanto si se vende por separado (núm. de modelo BA5600T) como si se incluye con cualquier herramienta, si se registra dentro del plazo de 90 días después de su compra. Garantía limitada de 5 años en el cargador CHV1600, diseñado para utilizarse con la cortadora de césped con asiento con radio de giro cero para uso personal doméstico.

Garantía limitada de 2 años/1 año en equipos de energía para exteriores, energía portátil, paquetes de baterías y cargadores EGO para uso profesional y comercial.

Los períodos de garantía detallados por productos se pueden encontrar en línea en <http://egopowerplus.com/warranty-policy>.

Sírvase contactar a Servicio al Cliente de EGO llamando gratis al 877-346-9876 (877-EGO-ZTRM) en cualquier momento en que tenga preguntas o reclamos bajo garantía.

GARANTÍA LIMITADA DE SERVICIO

Los productos EGO están garantizados contra defectos de material o de fabricación a partir de la fecha de compra original al por menor durante el período de garantía aplicable. El producto defectuoso será reparado gratuitamente.

- a) Esta garantía se aplica solo al comprador original a un minorista EGO autorizado y no se podrá transferir. Los minoristas EGO autorizados se identifican en línea en <http://egopowerplus.com/warranty-policy>
- b) El período de garantía para productos reacondicionados o certificados de fábrica que se utilizan para fines residenciales es de 1 año, para fines industriales, profesionales o comerciales es de 90 días.
- c) El período de garantía para las piezas de mantenimiento de rutina, tales como, pero sin limitarse a, asiento de cortadora de césped con asiento, ruedas, llantas, ruedas anticorte al ras, disco de freno, bloque de fricción, cuchillas, cabezales de orilladora, espadas de cadena, cadenas de sierra, correas, barras rascadoras, paletas de caucho, barrenas, zapatas antideslizantes, boquillas de soplador y todos los demás accesorios EGO, es de 90 días para fines residenciales y 30 días para fines industriales, profesionales o comerciales. Estas piezas están cubiertas durante 90/30 días contra defectos de fabricación en condiciones de trabajo normales.
- d) Esta garantía queda nula si el producto se ha puesto en alquiler.
- e) Esta garantía no cubre daños producto de modificaciones, alteraciones o reparaciones no autorizadas.
- f) Esta garantía solo cubre defectos que surjan del uso normal y no cubre el mal funcionamiento, las fallas ni los defectos que resulten del mal uso, el abuso (que incluye la sobrecarga del producto más allá de su capacidad y sumergirlo en agua o en cualquier otro líquido), accidentes, negligencia o falta de instalación adecuada y mantenimiento o almacenamiento inadecuados.
- g) Esta garantía no cubre el deterioro normal del acabado exterior, incluidos, entre otros, rayones, abolladuras, trozos de pintura o cualquier corrosión o decoloración producida por el calor o limpiadores químicos y abrasivos.

CÓMO OBTENER EL SERVICIO

Para obtener el servicio de garantía, póngase en contacto con Servicio al Cliente de EGO de manera gratuita al **877-346-9876 (877-EGO-ZTRM)**. Cuando pida un servicio cubierto por la garantía, debe presentar el recibo con la fecha original de venta. Un centro de servicio autorizado será seleccionado para reparar el producto de acuerdo con los términos establecidos en la garantía. Cuando lleve el producto al centro de servicio autorizado, es posible que deba hacer un pequeño depósito cuando deje la herramienta. Este depósito se reembolsará cuando se considere que el servicio de reparación se haya cubierto con la garantía.

LIMITACIONES ADICIONALES

En la medida en que la ley aplicable lo permita, se deniegan todas las garantías implícitas, inclusive las garantías de COMERCIALIZIDAD o IDONEIDAD PARA UN PROPÓSITO ESPECÍFICO. Todas las garantías implícitas, inclusive las garantías de comerciabilidad o idoneidad para un propósito específico, que no se puedan denegar bajo la ley estatal, están limitadas al período de garantía aplicable definido al comienzo de este artículo.

Chervon North America no se hará responsable por daños directos, indirectos, accidentales o resultantes.

Algunos estados no permiten limitaciones con respecto a la duración de una garantía implícita y/o no permiten la exclusión o limitación de daños accidentales o resultantes, de modo que las limitaciones antes descritas podrían no aplicarse en su caso.

Esta garantía le otorga derechos legales específicos, pero podría tener también otros derechos que varían según el estado.

Para obtener el servicio al cliente, póngase en contacto con nosotros de manera gratuita al: **877-346-9876 (877-EGO-ZTRM)** o visite: **EGOPOWERPLUS.COM**

EGO Customer Service, 769 SEWARD AVE NW / Suite 102 Grand Rapids, MI 49504

