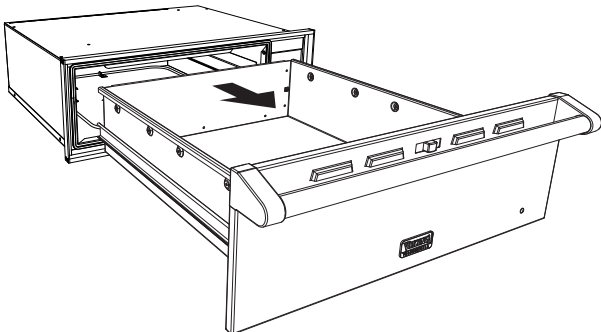


Installation Guide

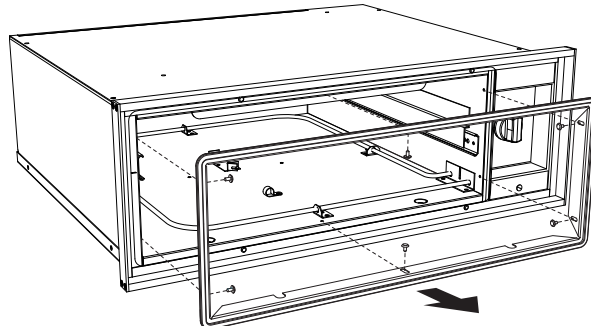
V27FTW/V30FTW/V36FTW
Professional Warming Drawer
Accessory Flush Mount Kit
For Use with 500 Series Warming Drawers

Preparing Drawer for Flush Mount Trim

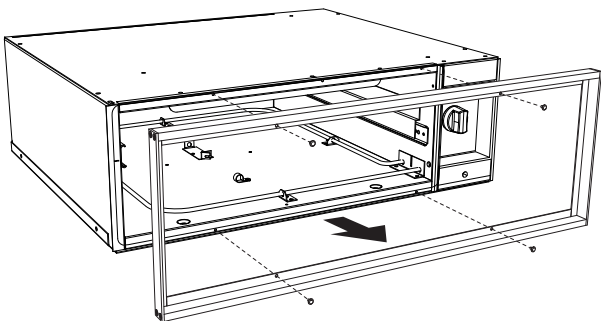
1. Remove drawer from the unit.



2. Remove 6 screws and then remove gasket bracket.

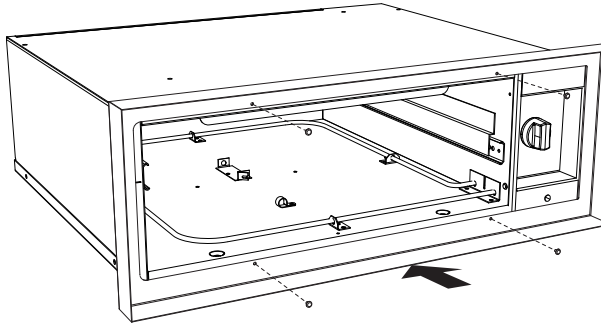


3. Remove 4 screws and then remove standard trim.

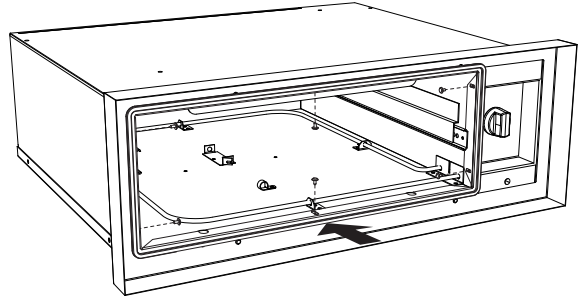


Installing Flush Mount Trim

4. Place flush trim on unit. Screw in using the same 4 screws and holes that secured the standard trim.

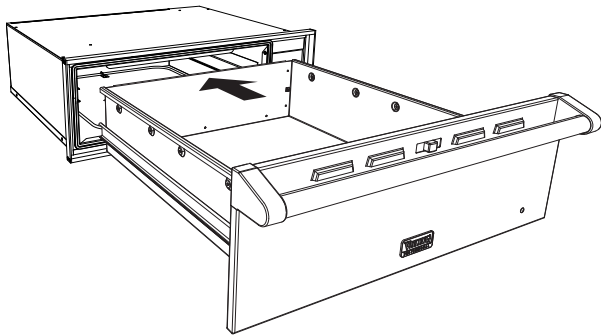


5. Replace gasket bracket on the unit. Screw in using 6 screws.

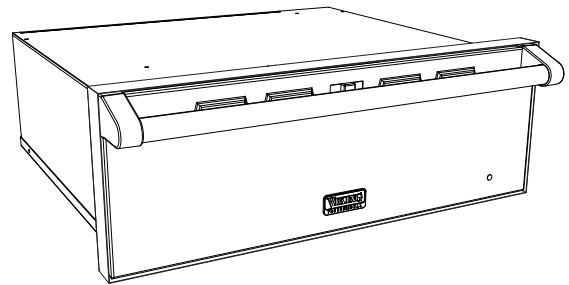


Finishing Flush Mount Trim Install

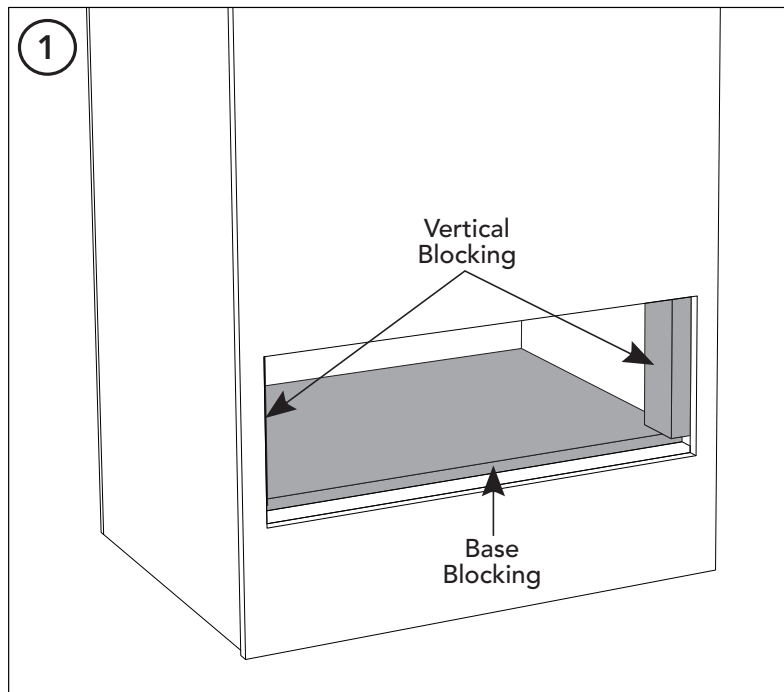
6. Re-install drawer into unit.



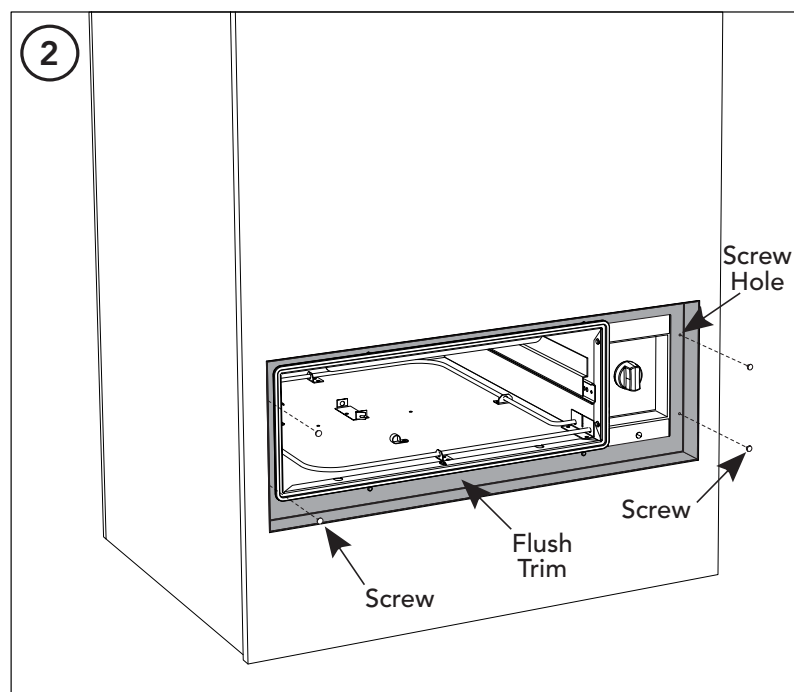
7. Flush trim is properly installed.



Preparing the Cutout






Install the vertical blocking and base blocking into the cutout area.



After installing the flush kit on the warming drawer, push the unit into the cutout. The flush kit will rest against the vertical blocking. Screw the flush trim to the vertical blocking with 4 screws as shown above.

Securing Inside the Cutout (side view)

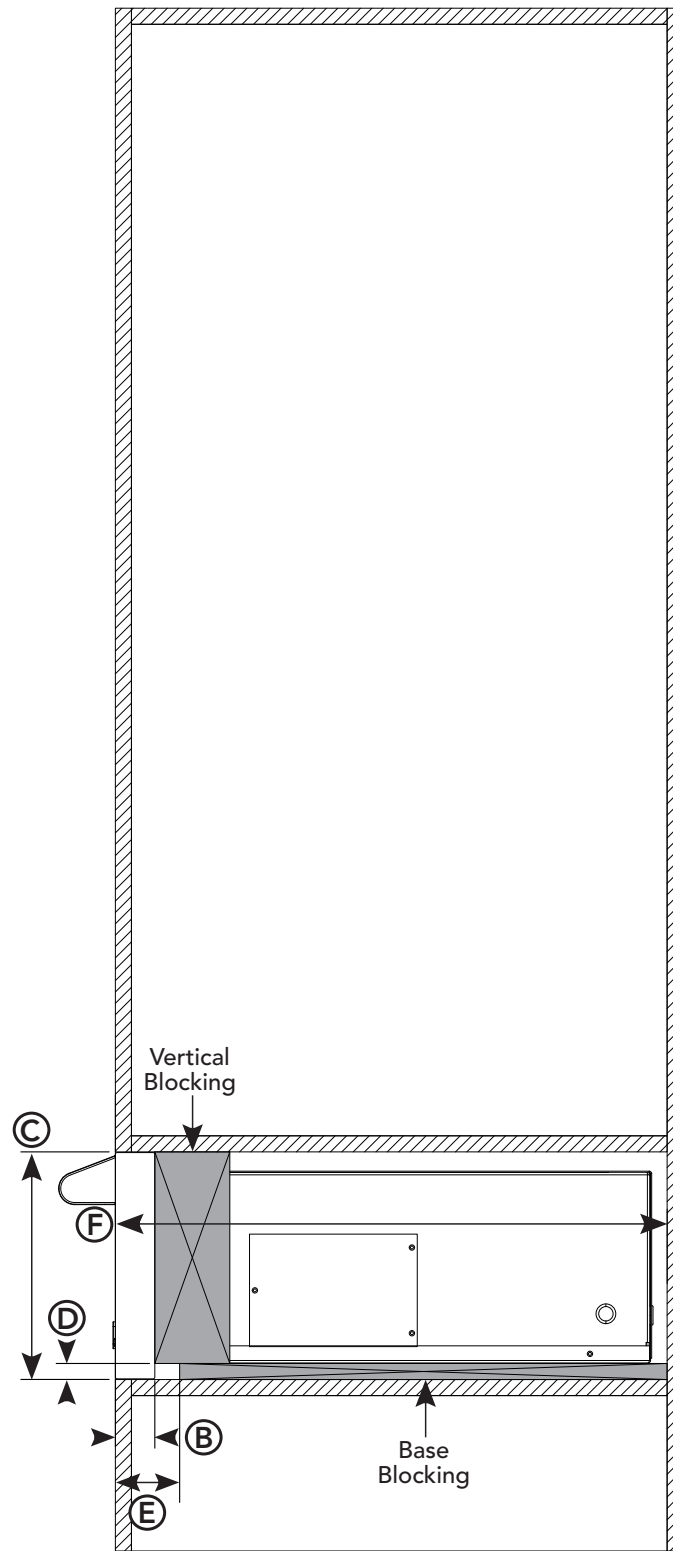
LEGEND	
	Blocking
	Cabinet Fronts
	Cabinet Cross Section

B	1-7/8" (4.8 cm)
----------	-----------------

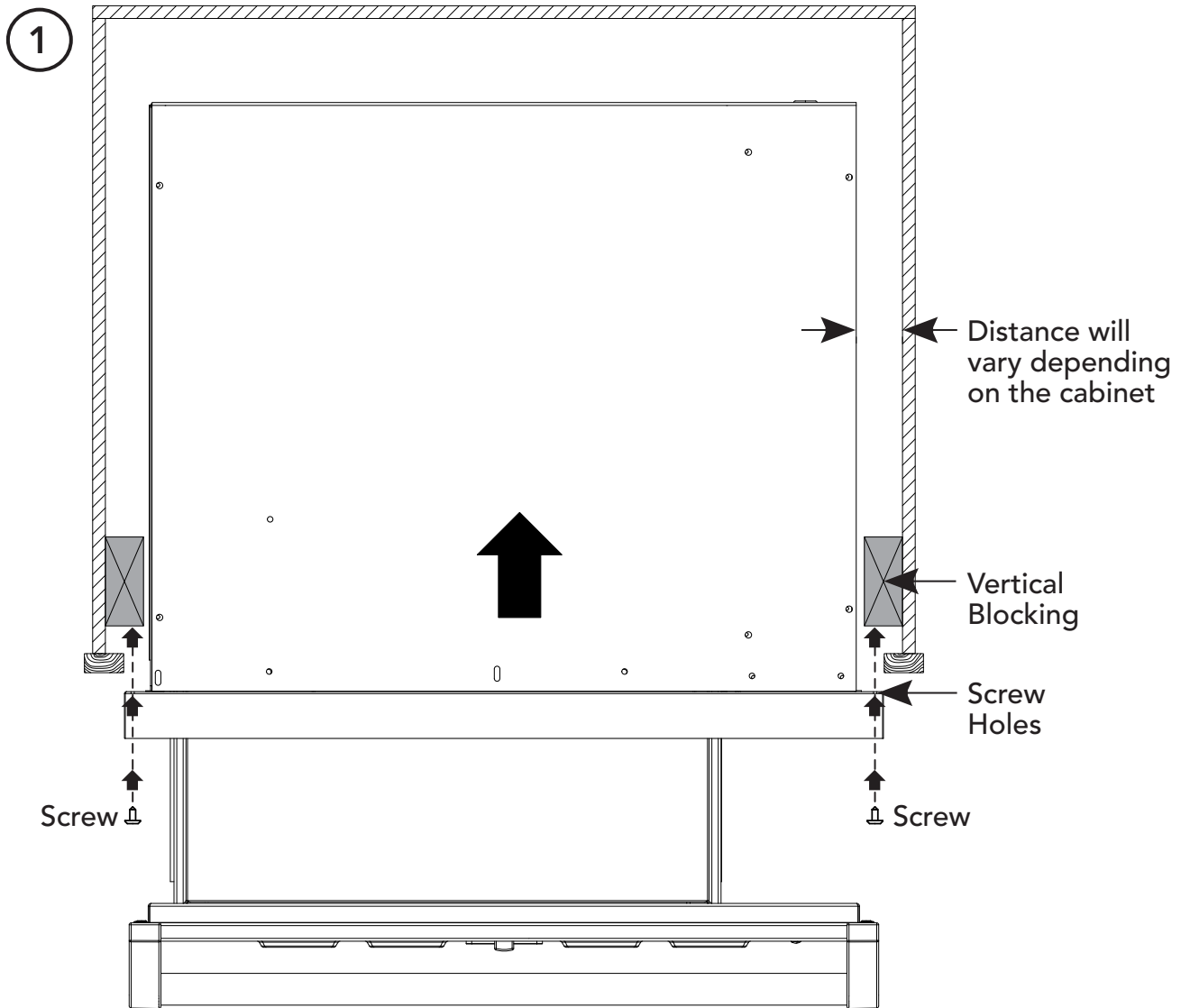
FLUSH CUTOUT HEIGHT	
C	27" - 10-5/8" (27.0 cm)
	30" - 10-5/8" (27.0 cm)
	36" - 10-5/8" (27.0 cm)



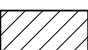
D	3/4" (1.9 cm)
E	3" (7.6 cm)

FLUSH CUTOUT DEPTH	
F	27" - 25-3/4" (65.4 cm)
	30" - 25-3/4" (65.4 cm)
	36" - 25-3/4" (65.4 cm)

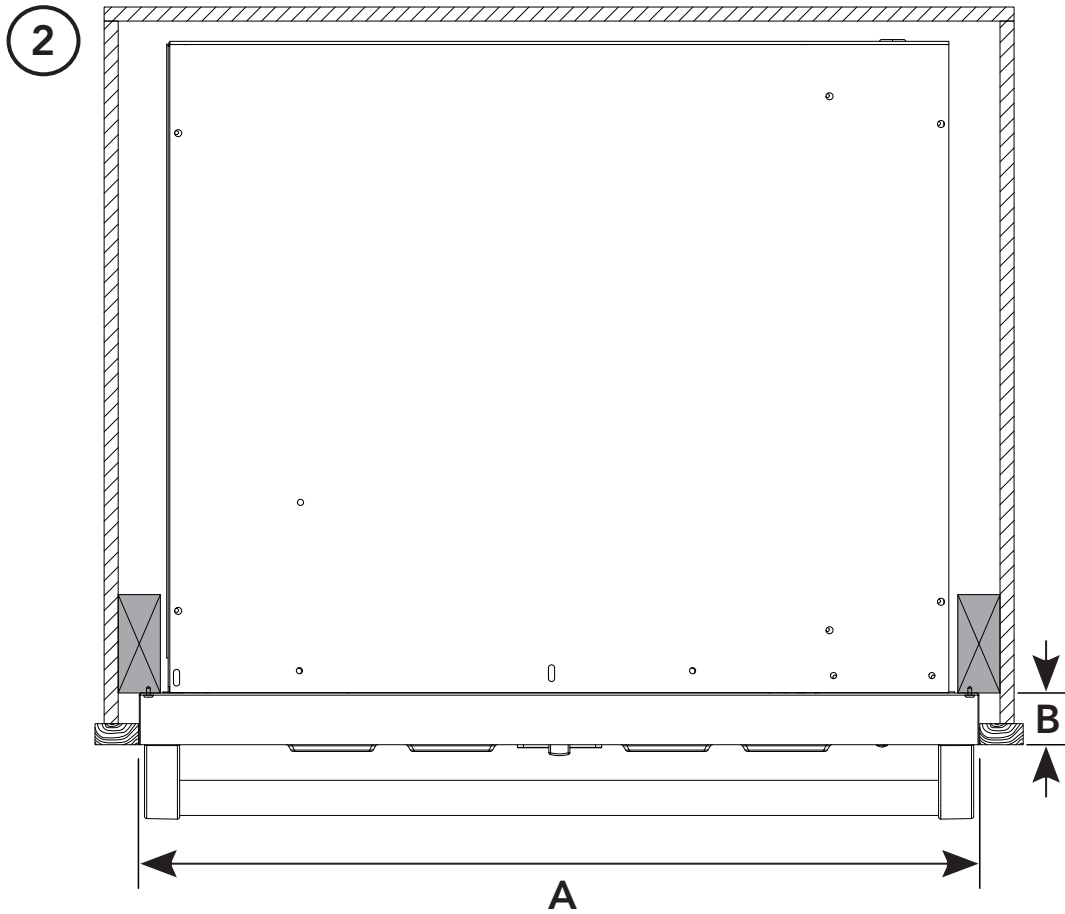


Securing Inside the Cutout (top view)



LEGEND	
	Blocking
	Cabinet Fronts
	Cabinet Cross Section

Securing Inside the Cutout (top view)



FLUSH CUTOUT WIDTH	
A	27" - 26-15/16" (68.4 cm) 30" - 29-15/16" (68.4 cm) 36" - 35-5/8" (90.5 cm)
B	1-7/8" (4.8 cm)

Viking Range, LLC
111 Front Street
Greenwood, Mississippi 38930 USA
(662) 455-1200

For product information,
call 1-888-845-4641 or visit our web site at www.vikingrange.com