

OWNER'S MANUAL

# 4 BURNER GRIDDLE DROP-IN WITH HOOD

## TABLE OF CONTENTS

IMPORTANT SAFETY INFORMATION .....	02
CUSTOMER SUPPORT .....	05
ASSEMBLY GUIDE .....	06
USING YOUR BLACKSTONE .....	10
TROUBLESHOOTING .....	16



Latest version of the manual:  
[BlackstoneProducts.com/support](https://BlackstoneProducts.com/support)

### IMPORTANT:

This instruction manual contains important information necessary for the proper assembly and safe use of the appliance.

Read and follow all warnings and instructions before assembling and using the appliance.

Follow all warnings and instructions when using the appliance.

Keep this manual for future reference.

Installer/Assembler: Leave these instructions with the consumer.

### SAFETY ALERT KEY

#### ⚠ DANGER

Indicates a hazardous situation that, if not avoided, will result in death or serious injury.

#### ⚠ WARNING

Indicates a hazardous situation that, if not avoided, could result in death or serious injury.

#### ⚠ CAUTION

Indicates a hazardous situation that, if not avoided, could result in minor or moderate injury.

#### NOTICE

Indicates information considered important, but not hazard-related (e.g. messages related to property damage).



# IMPORTANT SAFETY INFORMATION

## GAS APPLIANCE SAFETY

### ⚠ DANGER

If you smell gas:

- Shut off gas to the appliance.
- Extinguish any open flame.
- Open hood (if applicable).
- If odor continues, keep away from the appliance and immediately call your gas supplier or your fire department.

Failure to follow these instructions could result in fire or property damage, personal injury or death.

### ⚠ WARNING

- **DO NOT store or use gasoline or other flammable liquids or vapors in the vicinity of this or any other appliance.**
- **An LPG cylinder not connected for use shall not be stored in the vicinity of this or any other appliance.**

### INSTALLATION MUST CONFORM WITH LOCAL CODES.

In the absence of local codes, installation must conform with either ANSI Z223.1/NFPA 54, CSA B149.1, or CSA B149.2.

### ⚠ DANGER

- **NEVER operate this appliance unattended.**
- **If a fire should occur, keep away from the appliance and immediately call your fire department. DO NOT attempt to extinguish an oil or a grease fire with water.**

Failure to follow these instructions could result in fire or property damage, personal injury or death.

### ⚠ DANGER



### CARBON MONOXIDE HAZARD

This appliance can produce carbon monoxide which is poisonous and has no odor. Using it in an enclosed space can kill you.

**NEVER use this appliance in an enclosed space such as a camper, tent, car or home.**

### ⚠ DANGER

Flammable items can combust if placed near the appliance. Keep the appliance area clear and free from combustible materials, aerosol containers, gasoline and other flammable vapors and liquids.

### ⚠ WARNING

Improper installation, use, adjustment, alteration, service, modification, or maintenance can cause property damage, serious injury, or death. Refer to this manual.

- The use of alcohol, prescription, or non-prescription drugs may impair the consumer's ability to properly assemble or safely operate the appliance.
- Keep children and pets away from the appliance at all times.
- Have a type BC or ABC fire extinguisher readily available.
- DO NOT use for purposes other than intended.
- For outdoor domestic use only, not for commercial use.
- DO NOT use this appliance as a heater.



## SETTING UP YOUR OUTDOOR SPACE

### THIS APPLIANCE MUST ONLY BE USED OUTDOORS ON A LEVEL SURFACE.

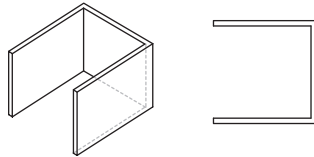
- DO NOT use this appliance inside buildings, garages, or any other enclosed area.
- DO NOT install this appliance in or on a boat.
- DO NOT install this appliance in or on a recreational vehicle.

### SHELTERED OUTDOOR AREAS:

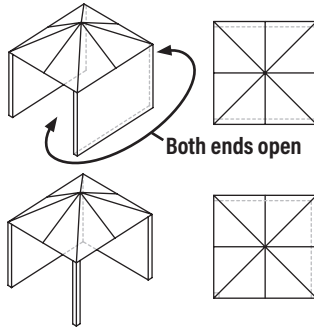
All openings must be permanently open; sliding doors, garage doors, windows or screened openings are not considered as permanent openings.

An appliance is considered to be outdoors if installed with shelter no more inclusive than:

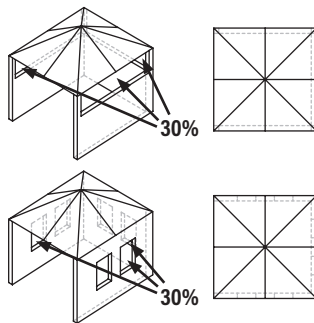
- a. With walls on three sides, but with no overhead cover.



- b. Within a partial enclosure that includes an overhead cover and no more than two side-walls. The sidewalls may be parallel, as in a breezeway, or at right angles to each other.



- c. Within a partial enclosure that includes an overhead cover and three sidewalls, as long as 30% or more of the horizontal periphery of the enclosure is permanently open.



### MAINTAIN PROPER CLEARANCES FROM COMBUSTIBLE MATERIAL.

- DO NOT use this appliance on or under any apartment or condominium balcony or deck.
- DO NOT obstruct the flow of combustion and ventilation air.
- **NO JACKET:** DO NOT operate this appliance any closer than 36 in (1 m) from the sides and back of the appliance to combustible construction.
- **WITH JACKET:** DO NOT operate this appliance any closer than 6 in (150mm) from the sides and back of the appliance to vertical combustible construction.

## ELECTRIC APPLIANCE SAFETY

This appliance is suitable for outdoor use.

### TO PROTECT AGAINST ELECTRIC SHOCK:

- DO NOT immerse cord or plugs in water or other liquid.
- Unplug from the outlet when not in use and before cleaning. Allow to cool before putting on or taking off parts.
- The supply cord should be regularly examined for signs of damage, and if the cord is damaged, the appliance must not be used.
- DO NOT operate this appliance with a damaged cord, plug, or after the appliance malfunctions or has been damaged in any manner. Contact the manufacturer for repair.
- DO NOT let the cord hang over the edge of a table or touch hot surfaces.
- Keep any electrical supply cord and the fuel supply hose away from heated surfaces.
- When connecting, first connect plug to the appliance then into the outlet.



### THE APPLIANCE MUST BE CONNECTED ONLY TO AN OUTLET THAT IS PROTECTED BY A GROUND-FAULT CIRCUIT-INTERRUPTER (GFCI).

- Press the TEST button (then RESET button) every month to assure proper operation.
- The appliance is to be connected to a socket-outlet having an earthing contact.
- This appliance, when installed, must be electrically grounded in accordance with local codes or, in the absence of local codes, with NFPA 70 Canadian Electrical Code, Part I.
- DO NOT remove the grounding plug or use with an adapter of 2 prongs.
- Use only extension cords with a 3 prong grounding plug, rated for the power of the equipment, and approved for outdoor use with a W-A marking.

# BUILT-IN INSTALLATION

- If your cabinet/ structure has external or internal combustible components (wood, plastic, etc.) your griddle **MUST** use an insulating jacket.
- If installed under overhead combustible construction, the appliance **MUST** be installed in conjunction with a suitable UI710 or UIC S646 approved heavy duty vent hood only.

## INSULATING JACKET REQUIREMENTS

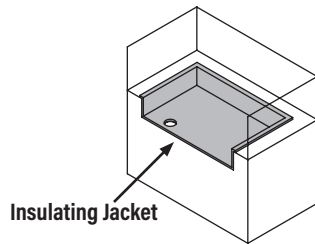
-  **NO** combustibles in this area
-  Combustibles **OKAY** in this area

### WITH JACKET

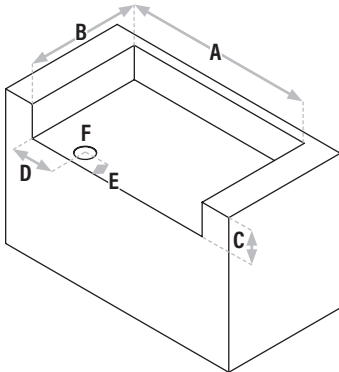
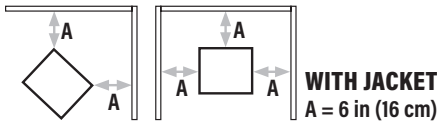
Cabinet/ structure can be made with combustibles (Wood, plastic (PVC, HDPE), oil-based paint, lacquer, etc.)

**NOTICE**

The insulating jacket must be permanently secured to the cabinet.



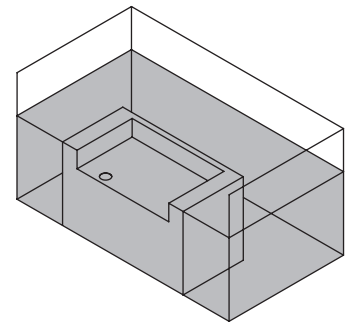
DO NOT operate this appliance any closer than 6 in (150 mm) from the sides and back of the appliance to vertical combustible construction. (walls/ backsplash)



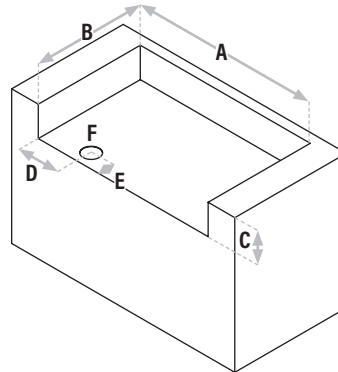
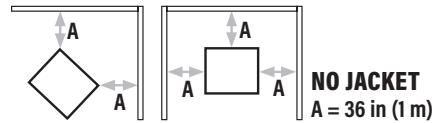
CAVITY MINIMUM DIMENSIONS	
A: Width =	43.35 in (110.11 cm)
B: Depth =	26.09 in (66.27 cm)
C: Height =	9.16 in (23.27 cm) (> will interfere with hood)
HOLE MINIMUM DIMENSIONS	
D: From side =	9.39 in (23.86 cm)
E: From front =	5.05 in (12.83 cm)
F: Diameter =	4.33 in (10.93 cm)

### NO JACKET

Cabinet/ structure **MUST** be made with NON-combustibles ONLY (Brick, stone, cement, metal, glass, etc.)



DO NOT operate this appliance any closer than 36 in (1 m) from the sides and back of the appliance to combustible construction.



CAVITY MINIMUM DIMENSIONS	
A: Width =	41.28 in (104.84cm)
B: Depth =	25.02 in (63.56 cm)
C: Height =	7.59 in (19.28 cm) (> will interfere with hood)
HOLE MINIMUM DIMENSIONS	
D: From side =	8.35 in (21.21 cm)
E: From front =	5.05 in (12.83 cm)
F: Diameter =	4.33 in (10.93 cm)





# CUSTOMER SUPPORT

## CONTACT US

For assistance concerning appliance use, replacement parts, or your warranty:

### USA & CANADA

[BlackstoneProducts.com/support](https://www.blackstoneproducts.com/support)

- Monday – Friday | 7:00 am – 5:00 pm (MST/MDT)
- English and Spanish

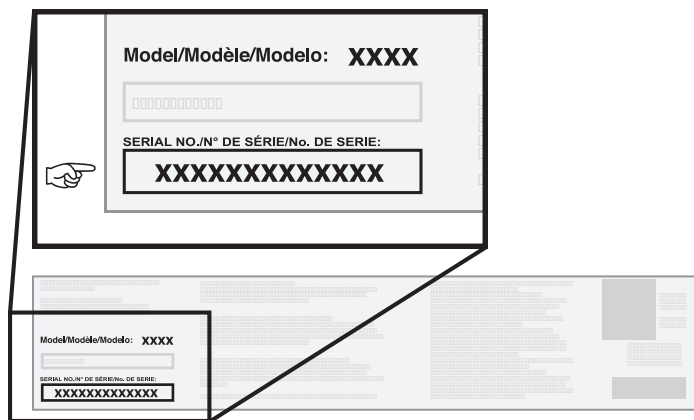
Please contact us before returning this appliance to your retailer.

## SERIAL NUMBER LOCATION

To enable your warranty, you will need to provide your appliance's Serial Number.

The Serial Number can be found on your appliance's Manufacturer Label.

(The Manufacturer Label is a large silver sticker found on the body of your appliance.)



**FREE  
E-COOKBOOK**  
WHEN YOU REGISTER



## ONE YEAR WARRANTY

North Atlantic Imports, LLC warrants this product against defects in materials and workmanship for a period of one (1) year from the original date of purchase under normal use. To the extent any such defects occur, North Atlantic Imports, LLC, in its discretion, will provide the appropriate replacement part(s) at no charge.

In no event shall North Atlantic Imports, LLC be liable for consequential, indirect or incidental damages resulting from the installation, use or failure of the product.

This warranty DOES NOT cover:

- Inspection costs or labor for replacement of any defective part(s);
- Cosmetic defects which DO NOT affect product performance or integrity;
- Normal wear and tear;
- Damage due to vandalism; acts of nature, including but not limited to wind, storms, hail, floods;
- Improper assembly, installation, or use;
- Discoloration or fading of the finish as a result of exposure to chemicals, spills, pool or salt water;
- Corrosion/ rust.

This product has been designed for safety and quality. Any modifications made to the original product could compromise its structural integrity or function and could lead to product failure or personal injury. As such, modifying this product voids all warranties.

This product is for RESIDENTIAL USE ONLY, and is not for commercial, contract or other non-residential purposes. North Atlantic Imports, LLC disclaims all other representations and warranties of any kind, express or implied.

The warranty applies to the original purchaser and is non-transferable. It does not apply to accessories or parts not supplied with the product, to purchases of display models, or to product that is sold on clearance or "as is". You may, however, have other specific legal rights based on the laws of your specific state or country of residence.

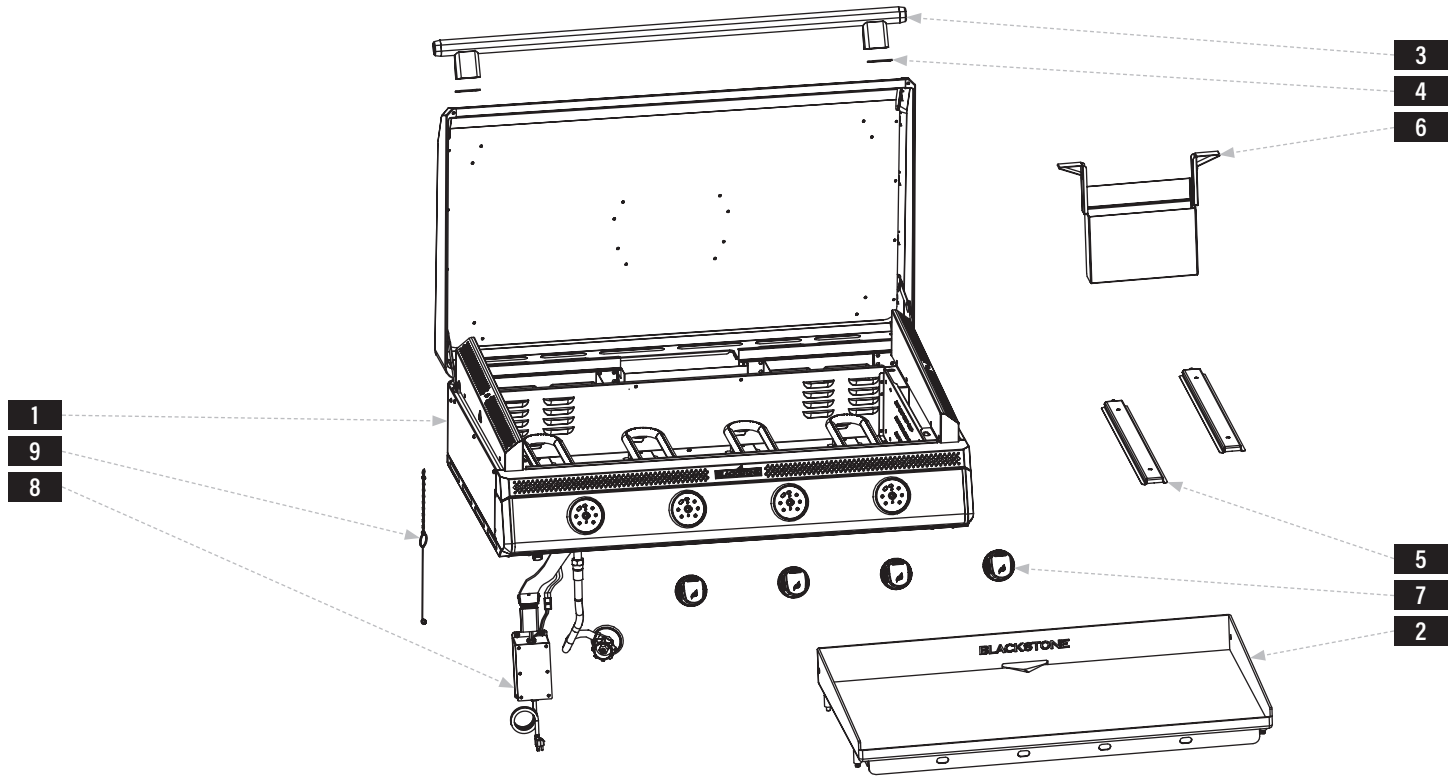
To activate your warranty, register your product at [BlackstoneProducts.com/register](https://www.blackstoneproducts.com/register)

North Atlantic Imports, LLC reserves the right to change or modify this warranty at any time.

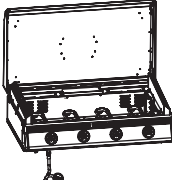
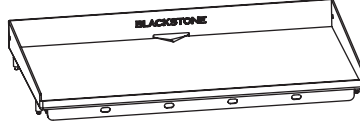
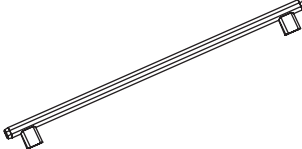
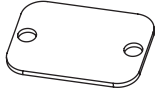
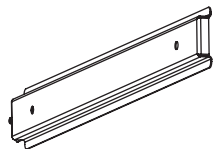
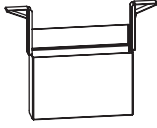

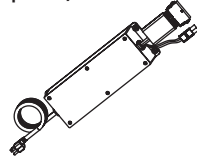

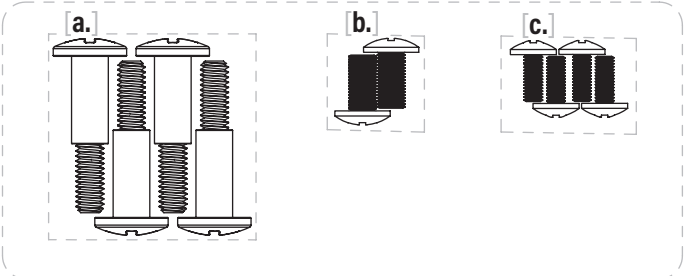
# ASSEMBLY GUIDE

## EXPLODED VIEW

ENGLISH



## PARTS LIST

<p><b>1</b> Griddle body (1 piece)</p> 	<p><b>2</b> Griddle top (1 piece)</p> 	<p><b>3</b> Hood handle (1 piece)</p> 			
<p><b>4</b> Mica washers (2 pieces)</p> 	<p><b>5</b> Hat channels (2 pieces)</p> 	<p><b>6</b> Grease cup (1 piece)</p> 	<p><b>7</b> Control knobs (4 pieces)</p> 	<p><b>8</b> PCB box (1 piece)</p> 	<p><b>9</b> Match holder (1 piece)</p> 
<p><b>10</b> Hardware pack (1 piece)</p> <p>a. M6 shoulder bolts (4 pieces)</p> <p>b. M5x10 screws (2 pieces)</p> <p>c. M4x10 screws (4 pieces)</p>					





## ASSEMBLY INSTRUCTIONS

Find a large, clean area to assemble your appliance.  
Remove all packing material before assembling.

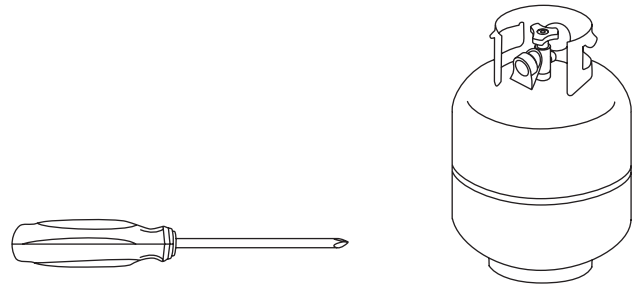
### ⚠ CAUTION

Sharp edges. Wear gloves while assembling.

### ⚠ CAUTION

Heavy pieces. Two people should assemble this appliance.

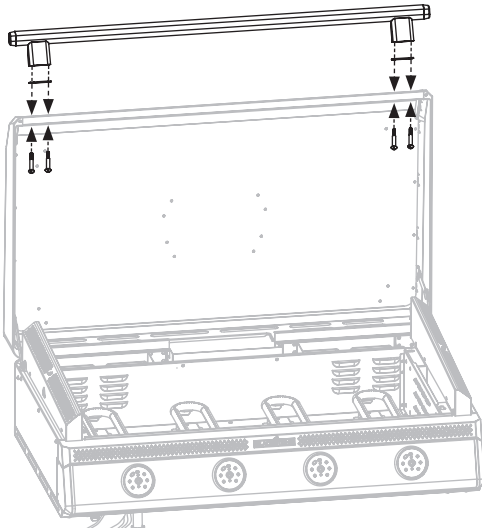
Assembly time: 1~2 hours



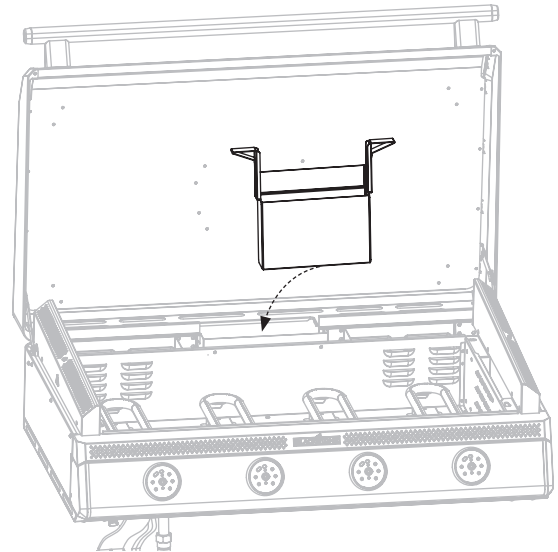
**TOOL NEEDED:**  
#3 Phillips head screwdriver

**NOT INCLUDED:**  
LPG cylinder  
Size: 18 x 12 in (45 x 30 cm), 20 lb (9 kg)  
LPG cylinder must include collar to protect LPG cylinder valve.

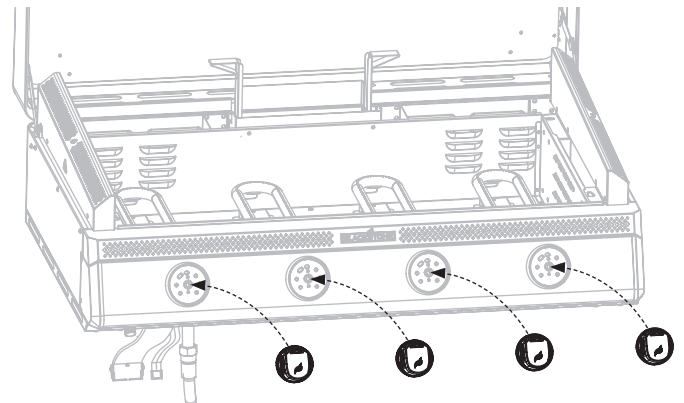
**STEP 01** Use four (4) M6 shoulder bolts [a.] to attach the handle and hood handle standoff and two (2) mica washers to the front of the hood.



**STEP 02** Slide the grease cup into the holder on the back of the griddle body.

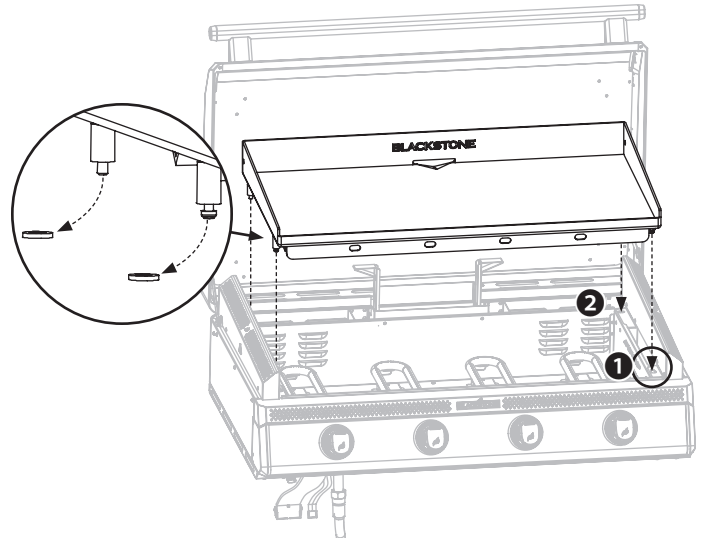
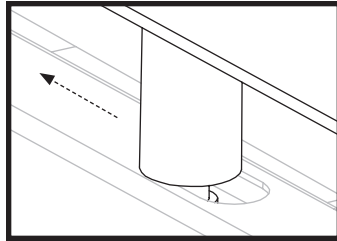


**STEP 03** Install the four (4) control knobs by pushing them into place in the OFF position.

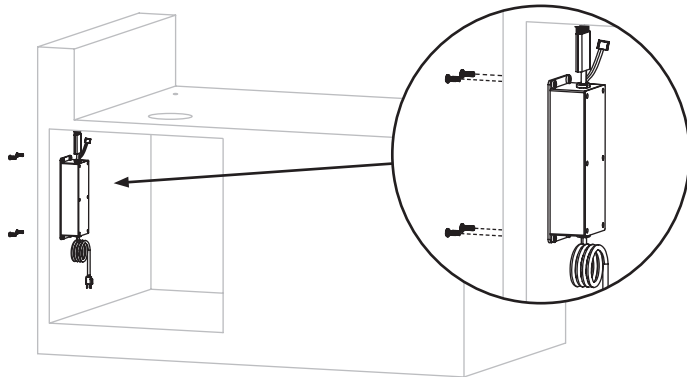


**STEP 04** Remove the four (4) protective washers from the griddle foot pins. **With the help of another person**, place the griddle top onto the griddle body by aligning the four foot pins to the holes on top of the unit.

- 1 Place the two front pins into the front locking holes and push the griddle top back.
- 2 Then, set the two rear pins into the rear holes.

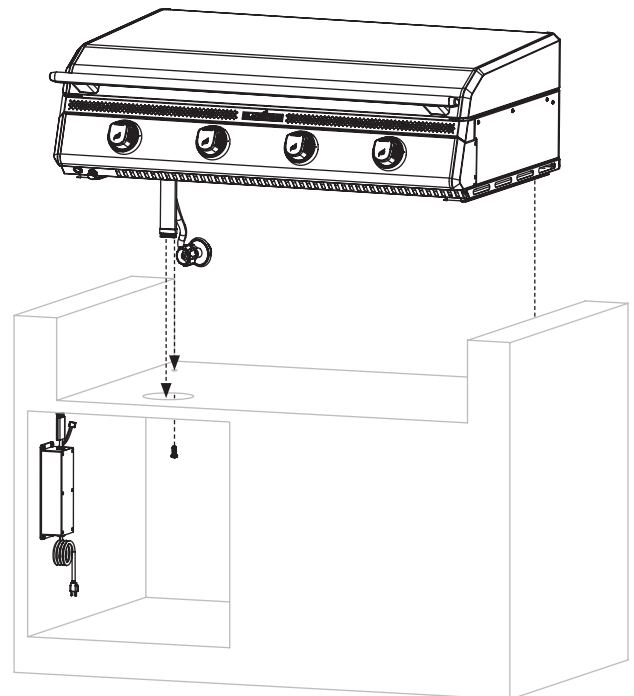


**STEP 05** Use four (4) M4x10 screws [c.] to attach the PCB box to the left side panel of your cabinet.



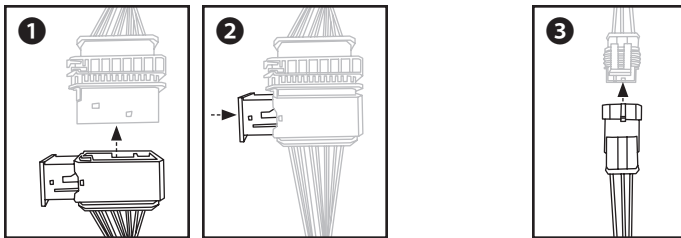
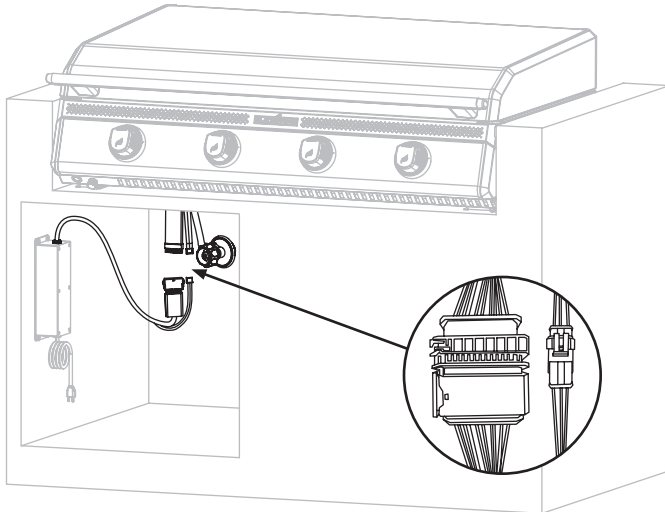
**STEP 06** **With the help of another person**, direct the regulator hose and electric wires through the cabinet hole and place the griddle body on top of your cabinet.

Use two (2) M5x10 screws [b.] to attach the griddle body to your cabinet.

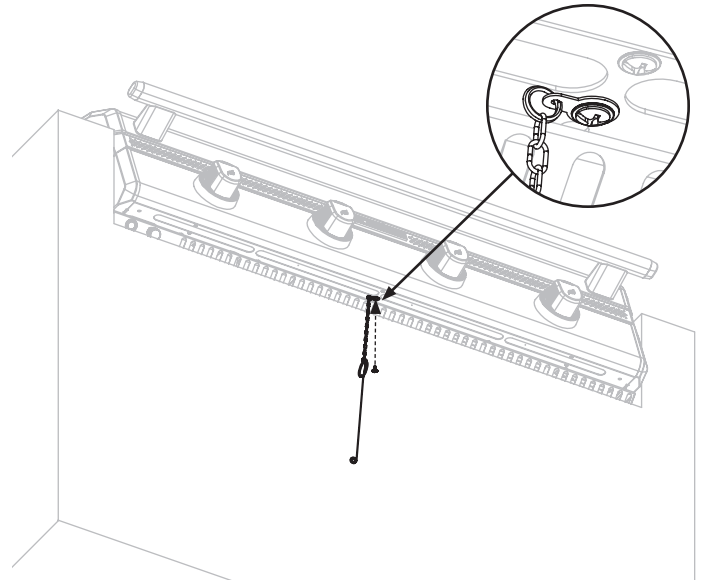




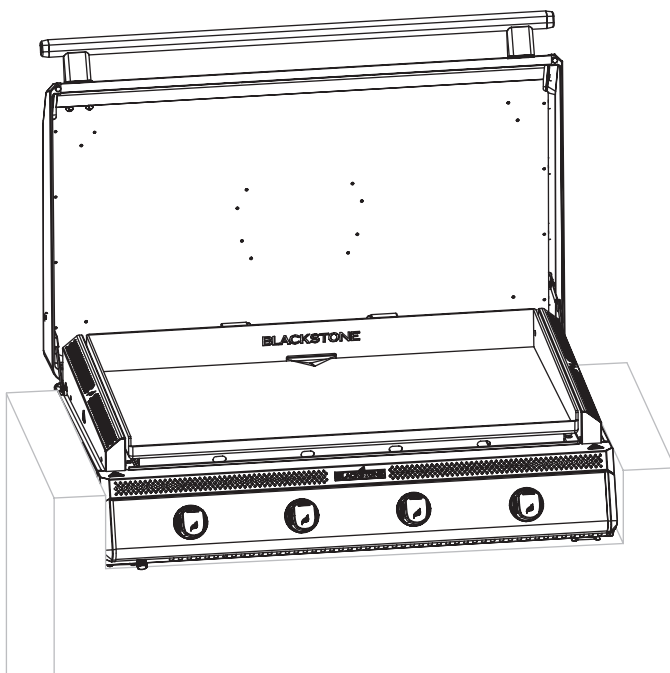
- STEP 07**
- 1 Push the 18P male and female connector together.
  - 2 Depress the yellow clip to lock the connector.
  - 3 Push the 3P male and female connector together.



- STEP 08** Remove the self-tapping screw from the griddle body and use it to attach the match holder.



- STEP 09** Proceed to **USING YOUR BLACKSTONE.**



**CAUTION**

Hot appliance. The cover/lid/hood **MUST** be open when the appliance is in use.

# USING YOUR BLACKSTONE

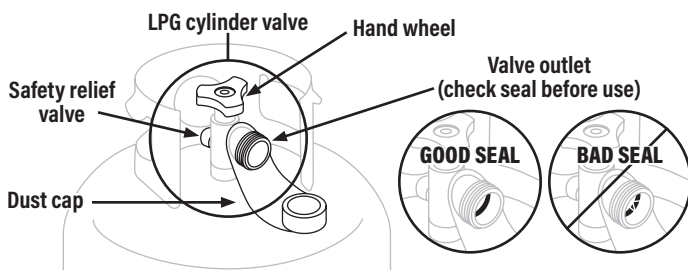
## LPG CYLINDER REQUIREMENTS

### FOR 20 LB (9 KG CYLINDERS)

- The LPG supply cylinder to be used must be constructed and marked in accordance with the specifications for LP gas cylinders, U.S. Department of Transportation (DOT) or the Standard for Cylinders, Spheres and Tubes for the Transportation of Dangerous Goods, CAN/CSA-B339.
- Only LPG cylinders marked "propane" shall be used.

#### THE LPG CYLINDER VALVE MUST HAVE:

- Type 1 valve outlet (thread on the outside).
- Safety relief valve.
- UL listed Overfill Protection Device (OPD). This OPD safety feature is identified by a unique triangular hand wheel.
- Dust cap.



The seal on the valve outlet could, over time, show marked and visible damage or deterioration that might cause a leak even with the connection tightened.

- A visual inspection for the seal must be carried out every time a LPG cylinder is replaced or refilled.
- Any LPG cylinder showing signs of damage or deterioration as those illustrated including visible cracks and pitting, must be returned unused to the seller.

## FITTINGS & HOSES

Prior to connection and use, ensure that there is no debris caught in, or damage to, the head of the gas cylinder, regulator, hose, burner and burner ports.

- Annual checking and tightening of metal fittings is recommended.
- Avoid twisting the flexible tube when the appliance is in use.
- Ensure that the hose is not obstructed, kinked, or in contact with any part of the appliance other than at its connection.
- Before each use, check to see if hoses are cut or worn. (Worn or damaged hose must be replaced before using appliance.)

(Use only Blackstone approved valve, hose, or regulator. Failure to comply will void the warranty.)

- The LPG cylinder supply system must be arranged for vapor withdrawal.
  - Always keep new LPG cylinders in upright position during use, transit or storage.
  - Always keep the ventilation opening(s) of the cylinder enclosure free and clear from debris.

If grease or other hot material drips onto valve, hose or regulator:

**STEP 01** Turn off gas supply immediately.

**STEP 02** Determine the cause and correct it.

**STEP 03** Clean and inspect valve, hose and regulator.

**STEP 04** Perform a leak test.

## LEAK TEST INSTRUCTIONS

- Leak test new and exchanged LPG cylinders BEFORE connecting to appliance.
- DO NOT smoke during leak test.
- DO NOT use an open flame to check for gas leaks.
- Appliance must be leak tested outdoors in a well-ventilated area, away from ignition sources such as gas fired or electrical appliances.
- During leak test, keep appliance away from open flames or sparks.

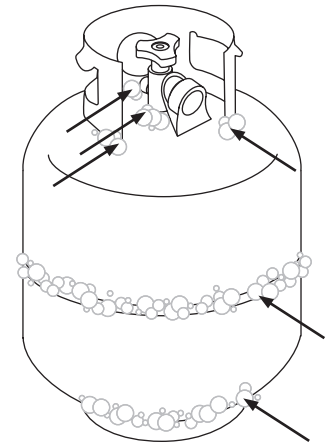
### LEAK TEST: LPG CYLINDER

**STEP 01** Use a clean paintbrush to brush a 1% mild soap and water solution onto joint areas of the LPG cylinder.

Leaks are indicated by growing bubbles.

**⚠ WARNING**

If growing bubbles appear during leak test, DO NOT use or move the LPG cylinder. Immediately contact an LPG supplier or fire department.



### LEAK TEST: VALVES, HOSE & REGULATOR

**STEP 01** Turn the control knobs to OFF.

**STEP 02** Connect the regulator to the LPG cylinder.

**STEP 03** Completely open the LPG tank by turning the hand wheel counterclockwise.

If you hear a rushing sound, turn gas off immediately. There is a major leak at the connection.

**STEP 04** Immediately close the LPG cylinder by turning the hand wheel clockwise and re-tighten connections. If leaks cannot be stopped DO NOT TRY TO REPAIR.

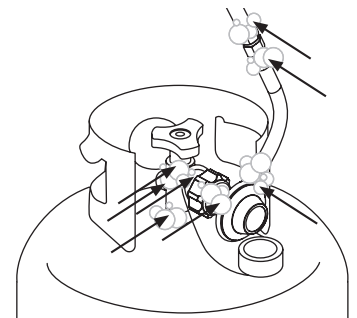
**STEP 05** Use a clean paintbrush to brush a 1% mild soap and water solution onto joint areas of valves and regulator.

Leaks are indicated by growing bubbles.

**STEP 06** Immediately close the LPG cylinder by turning the OPD hand wheel clockwise and re-tighten connections.

**⚠ WARNING**

If leaks cannot be stopped, DO NOT try to repair. Regulator must be replaced with a Blackstone approved model by a professionally licensed, authorized dealer.





## REGULATOR SAFETY

- Use this appliance, as purchased, only with gas and regulator/valve assembly supplied. DO NOT use quick connect fittings or other add-ons.
- DO NOT cross thread (force at an improper angle) the connection between your LPG cylinder and regulator.
- If you can not connect the regulator, DO NOT use the regulator.

Regulator must be replaced with a Blackstone approved model by a professionally licensed, authorized dealer.

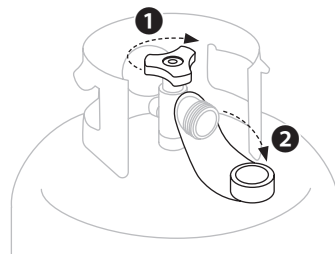
## CONNECT THE LPG CYLINDER

### ONLY USE A 20 LB (9 KG) CYLINDER

**STEP 01** Turn the control knobs to OFF.

**1** Ensure that the LPG cylinder is OFF by turning the hand wheel clockwise to a full stop.

**2** Remove the safety cap from the valve outlet.

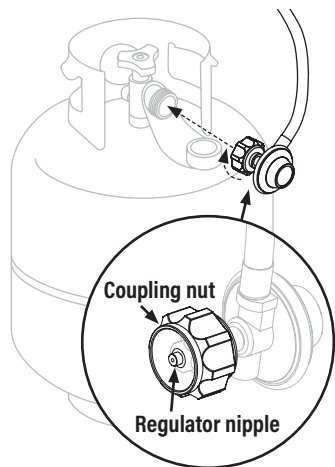


**STEP 02** Hold the regulator in a straight line with the valve outlet so as not to cross thread the connection.

Center and insert the regulator nipple into the valve outlet.

Hand-tighten the coupling nut in a clockwise direction. (DO NOT use tools to connect.)

If connection cannot be completed, disconnect regulator and repeat this step.



**STEP 03** The safety relief valve must face away from the user while the appliance is in use.

Set the LPG cylinder into the propane cabinet.



Use an LPG cylinder retention system to prevent the cylinder from tipping over.

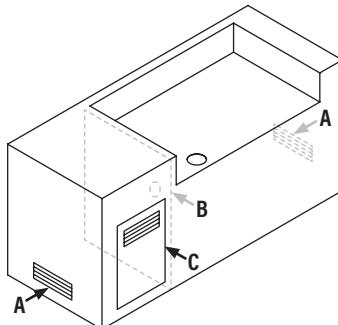
The cabinet CAN NOT store 2 or more gas cylinders.

### LPG CYLINDER ENCLOSURE CONSTRUCTION

**A:** 4x6 in (10x15 cm) vents at bottom, and both sides of cabinet.

**B:** Plenum wall to separate the LPG cylinder compartment.

**C:** LPG cylinder access door.



## FILLING & EXCHANGE

- Use only those reputable exchange companies that inspect, precision fill, test and certify their cylinders. LPG dealer must purge new cylinder before filling.
- To remove gas from LPG cylinder, contact a certified LPG dealer or local fire department for assistance.
- DO NOT release liquid petroleum gas (LPG) into the atmosphere. Your retailer can help you match a replacement LPG cylinder to your appliance. Volume of propane in cylinder will vary by temperature.

### ⚠ WARNING

A frosty regulator indicates gas overfill.

Immediately close LPG cylinder valve and call local LPG dealer for assistance.

- Exchange cylinder only for an OPD safety feature-equipped cylinder.

## STORING LPG CYLINDERS

### ⚠ WARNING

- DO NOT store a spare LPG cylinder under, near, or in this appliance.
  - DO NOT fill an LPG cylinder beyond 80% full.
- If the information above is not followed exactly, a fire causing death or serious injury may occur.

- The LPG cylinder must be turned OFF when the appliance is not in use.
- LPG cylinders must be stored outdoors and out of the reach of children.
- DO NOT store an LPG cylinder inside a building, garage, or in any other enclosed area.
- DO NOT store an LPG cylinder where temperatures can reach over 122°F (50°C).

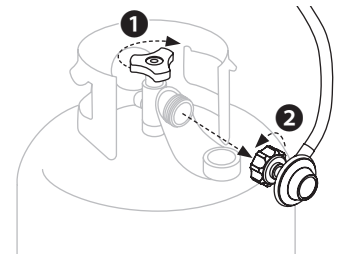
## DISCONNECTING THE LPG CYLINDER

Storage of the appliance indoors is only permissible if the LPG cylinder is disconnected and removed from the appliance.

**STEP 01** Ensure that the control knobs are turned to OFF.

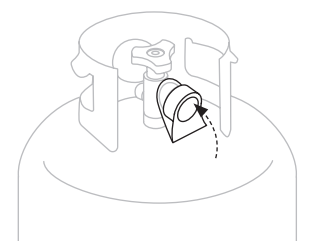
**1** Ensure that the LPG cylinder is OFF by turning the hand wheel clockwise to a full stop.

**2** Turn the coupling nut counter-clockwise by hand to remove the regulator. (DO NOT use tools to disconnect.)



**STEP 02** Place dust cap on LPG cylinder valve outlet whenever cylinder is not in use.

Only install the type of dust cap on cylinder valve outlet that is provided with the cylinder valve. Other types of caps or plugs may result in leakage of propane.



# IGNITION INSTRUCTIONS

## 1. CHECK VALVES

▲ Ensure gas is off at the supply shut off valve before checking appliance valves.

**STEP 01** Turn all knobs to the ❶ OFF position.

**STEP 02** Push in knob and release. Knob should spring back.

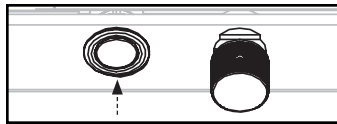
If knobs **DO NOT** spring back, replace valve assembly before using appliance.

**STEP 03** Rotate knob to LOW then turn back to OFF. Knob should turn smoothly.

## 2. ELECTRIC IGNITION

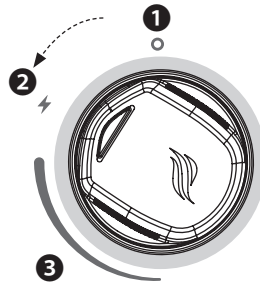
▲ DO NOT lean over the appliance while lighting. Make sure the appliance is plugged in.

**STEP 01** Press the ON button. (Optional: Turn the dimmer until it clicks to turn off the puddle lights.)

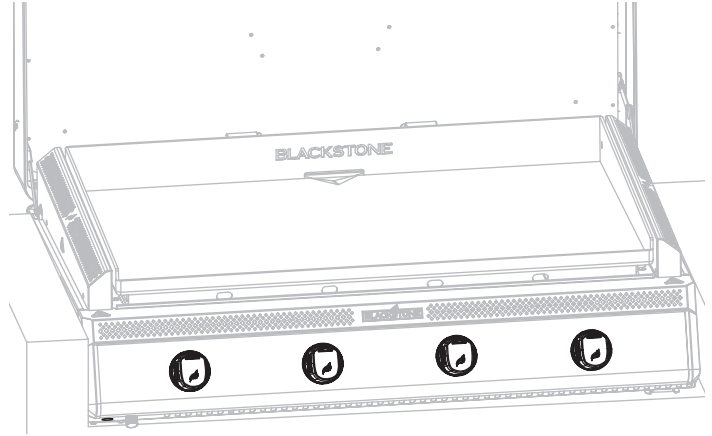


### STEP 02

- ❶ Push the control knob in to start gas flowing. (**WHITE**)
- ❷ Turn the control knob counter-clockwise to activate the starter. (**FLASHING BLUE**)
- ❸ Check flame and adjust the temperature to desired level. (**ORANGE**)



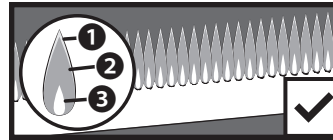
**Note:** If the magnet in the knob is disconnected, the indicator light will be orange. If the knob arrow is facing UP, gas is not flowing. DO NOT remove the control panel if issues arise. Contact customer support.



## 3. ALWAYS CHECK BURNER FLAME BEFORE USE.

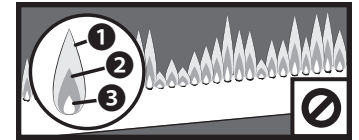
Light burners and look below the cooking surface to view burners. When knob is at HIGH, flames should be larger than when knob is at LOW.

### HEALTHY FLAME PATTERN



- ❶ Flickers of yellow.
- ❷ Dark blue.
- ❸ Vibrant blue.

### YELLOW OR IRREGULAR



If flames are yellow or irregular, please reference the Troubleshooting chapter.

### ⚠ WARNING

If burner does not ignite with open gas supply valve, gas will continue to flow out of burner and could accidentally/inadvertently ignite with risk of injury.

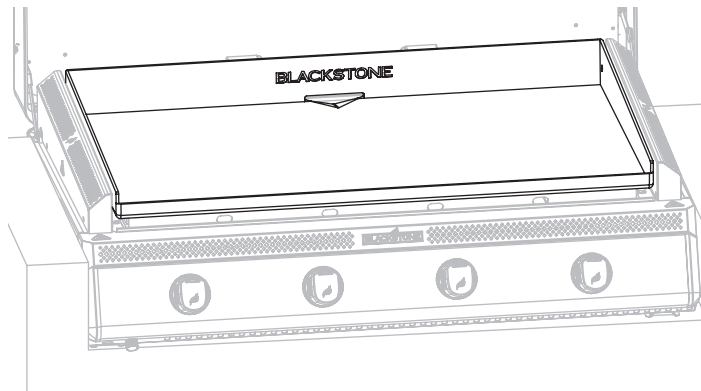
**If ignition does not occur in 5 seconds:**

1. Turn the burner control knob OFF.
2. Wait 5 minutes.
3. Repeat the lighting procedure.

If burner does not ignite, please reference the Troubleshooting chapter.



# GRIDDLE SEASONING INSTRUCTIONS



## WASHING YOUR GRIDDLE TOP BEFORE FIRST USE

**NOTICE**  
Soap will ruin a seasoned griddle. This is the only time you should use soap on the griddle cooking surface.

**STEP 01** Wash the griddle cooking surface with hot, soapy water.

**STEP 02** Rinse and dry completely.

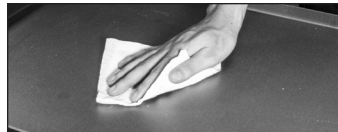
## SEASONING YOUR GRIDDLE



### VIDEO TUTORIAL

How to Season a New Blackstone Griddle  
[youtube.com/watch?v=VspmDVnj2pl&t=3s](https://www.youtube.com/watch?v=VspmDVnj2pl&t=3s)

**STEP 01** Wipe any debris off griddle top.



**STEP 02** Set your griddle to high heat until your griddle top changes color. (~10 min)

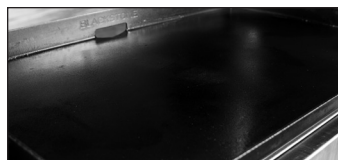


**STEP 03** Use tongs to hold a paper towel or cotton cloth and spread 2-3 tablespoons of your seasoning oil across the entire griddle top.

When seasoning your griddle top, remember to use a thin and even layer of oil—the thinner the layer of oil, the easier it will be to burn it off.



**STEP 04** The griddle top is ready for another layer of oil when it stops smoking. Repeat **STEP 03** 3-4 times, or until the griddle surface is black.



### NOTICE

DO NOT store any items within 3 in (8 cm) of the griddle top while in use.

### WHAT OIL IS BEST TO USE?

- Blackstone Seasoning and Cast Iron Conditioner.
- Any plant-based cooking oil.
- Rendered animal fat with no additives.



### CAUTION

Properly dispose of the rags/ towels used to spread oil on your griddle top to prevent fires that might occur due to spontaneous combustion.

Under the right conditions, residual oil on rags or towels can oxidize long after being removed from a heat source. The oxidation process itself produces heat which, if not dissipated, can build up and may cause the rags/towels and surrounding material to ignite.

## SEASONING TROUBLESHOOTING

### THERE IS A BROWNISH RESIDUE ON THE GRIDDLE SURFACE:

POSSIBLE CAUSES	SOLUTION
• Too much oil was used.	<b>STEP 01</b> Turn your griddle on high and let it heat for 10-15 minutes.
• You turned off the heat too soon.	<b>STEP 02</b> Scrape off as much of the thickened and partially cooked oil as you can.
	<b>STEP 03</b> Re-season with a very thin layer of oil.

### THE EDGES OF THE GRIDDLE SURFACE ARE NOT BLACK:

After using your griddle for multiple cooks, the seasoning will even out and improve.

## PREVENTING RUST

Use your griddle frequently. Every time you cook, you are adding to the seasoning, which makes rust less likely.

### NOTICE

If you live in a humid or coastal climate, your griddle may require more frequent seasonings between uses.

If rust appears on the griddle surface, rub it off with steel wool, low grit sandpaper or the **Blackstone Pumice Stone** and re-season the surface.



### VIDEO TUTORIAL

Recovering your Blackstone Griddle Top  
[youtube.com/watch?v=thPE2lgnSil](https://www.youtube.com/watch?v=thPE2lgnSil)



# COOKING ON YOUR BLACKSTONE

## ⚠ CAUTION

This appliance will be hot during and after use. Use long-handled utensils and oven mitts/ protective gloves when handling potentially hot parts, including handles close to the appliance body, to protect against burns and splatters.

THE MINIMUM AMBIENT OPERATING TEMPERATURE IS 0°F (-18°C).

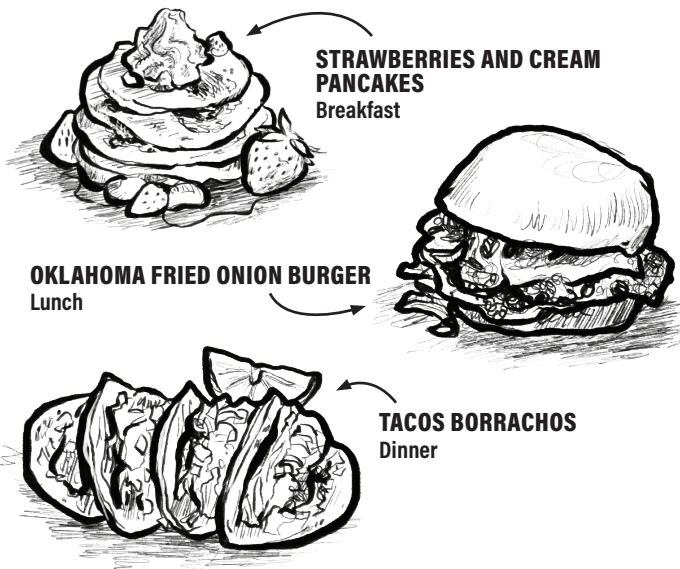
## VIDEO RECIPES

Find recipes and cooking tips at:

🌐 [BlackstoneProducts.com/recipes](http://BlackstoneProducts.com/recipes)

📺 [youtube.com/BlackstoneGriddles](https://youtube.com/BlackstoneGriddles)

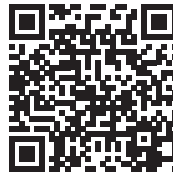
📱 [@blackstoneproducts](https://www.instagram.com/blackstoneproducts)



## CLEANING YOUR GRIDDLE TOP

Clean griddle top after each use, while still warm.

- DO NOT use soap on the griddle top. This will destroy the griddle's seasoning.



### VIDEO TUTORIAL

How to Clean your Blackstone Griddle

📺 [youtube.com/watch?v=-ledu9z6NPY](https://youtube.com/watch?v=-ledu9z6NPY)

**STEP 01** Push loose food debris into the grease cup with spatula or straight metal scraper.



**STEP 02** Wipe down griddle top with a paper towel or a Blackstone Scrub Pad.



**STEP 03** Apply a few tablespoons of water to the griddle surface, then scrape the water and debris into the grease cup.

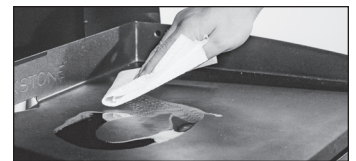
(For stuck-on food residue, use a bit of coarse salt.)



**STEP 04** Wipe again with a paper towel and dry completely.



**STEP 05** Apply thin coat of cooking oil to maintain seasoning and protect the griddle top.



## EMPTY YOUR GREASE CUP

The grease cup must be removed and emptied after each use.

**Note:** Making sure your griddle is on level ground will allow grease and water to drain towards the rear grease cutout.

## ⚠ CAUTION

Grease cup will be hot during and after use. DO NOT remove the grease cup until the griddle has completely cooled.



## CARE AND MAINTENANCE

### ⚠️ WARNING

Grease build up can cause a fire. Clean any part of the appliance that gets hot and experiences grease build up after each use.

### ⚠️ CAUTION

All cleaning and maintenance should be carried out when the appliance is cool and everything is turned OFF.

- DO NOT use abrasive pad on areas with graphics.
- If a bristle brush is used to clean any of the cooking surfaces, ensure no loose bristles remain on cooking surfaces prior to cooking.

### APPLIANCE BODY:

Wash with warm soapy water and immediately wipe dry with a non-abrasive cloth. (DO NOT allow cleaning agents to rest on any porous surface for a prolonged amount of time.)

### NOTICE

DO NOT use Citrisol, abrasive cleaners, or a concentrated cleaner on the appliance. This may result in damage to and failure of parts.

## APPLIANCE STORAGE

### ⚠️ WARNING

DO NOT move the appliance when in use. Allow the appliance to cool to 115°F (45°C) before moving or storing.

Always cover your appliance when stored outdoors.



### FIND MY COVER

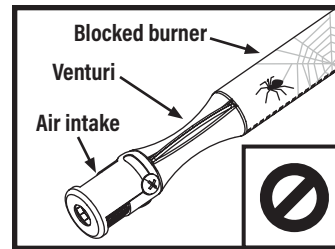
[BlackstoneProducts.com](https://www.blackstoneproducts.com)

- Covers
- Carry bags

## CLEANING THE BURNER ASSEMBLY

Spiders and insects can nest within and clog the burner/venturi tube at the orifice.

To reduce chance of “flash-back” the procedure below should be followed at least once a month when spiders are most active or when your appliance has not been used for a period of time.



### ⚠️ WARNING

A clogged burner can lead to a fire beneath the appliance. Burner should be removed and cleaned whenever blockages are found.



### VIDEO TUTORIAL

How to Clean Your Burner Tube

[youtube.com/watch?v=xKQTCrFCzf8](https://www.youtube.com/watch?v=xKQTCrFCzf8)

**STEP 01** Ensure that the gas is turned OFF at control knobs and gas supply. Remove the griddle top.

**STEP 02** Carefully detach and remove the burner.



**STEP 03** Clean the inside of the burner:

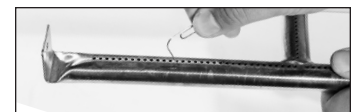
- Run a narrow bottle brush through the burner several times. (DO NOT use wire brushes)
- Use compressed air to blow out the burner. (Wear eye protection)



**STEP 04** Brush entire outer surface of burner to remove grime.

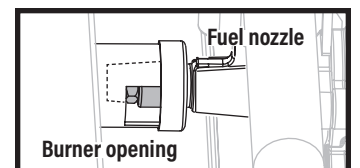


**STEP 05** Clean any blocked ports with stiff wire such as an open paper clip.



**STEP 06** Carefully replace burners and reattach, with attention to the location of the ignition needle.

⚠️ The gas rail fuel nozzle must be reengaged within the burner opening.



# TROUBLESHOOTING

ENGLISH

## IGNITION TROUBLESHOOTING

### BURNER WILL NOT IGNITE:

If ignition does not occur in 5 seconds:

**STEP 01** Turn the burner control knob OFF.

**STEP 02** Wait 5 minutes.

**STEP 03** Repeat the lighting procedure.

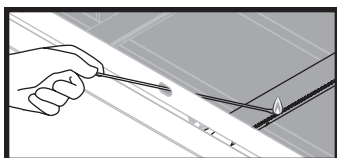
If this does not work, to determine the cause, please try to ignite your appliance with a match.

### MATCH LIGHTING INSTRUCTIONS

Before beginning, check for gas leaks. Open hood (if applicable).

**STEP 01** Turn control knob to OFF position.

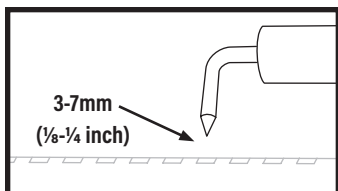
**STEP 02** Light a match (or long lighter) no shorter than 11 inches long.



**STEP 03** Place the flame next to the burner.

**STEP 04** Push in and turn the control knob to start gas flowing. Ensure burner lights and stays lit.

### IF YOU CAN IGNITE YOUR APPLIANCE WITH A MATCH:

POSSIBLE CAUSES	SOLUTION
Ignitor wire misaligned.	Ensure that the ignitor needle is positioned 3-7mm (1/8-1/4 inch) away from the burner, and aligned with the burner holes.
	
Damage to the ignition system.	Contact customer support for replacement parts.

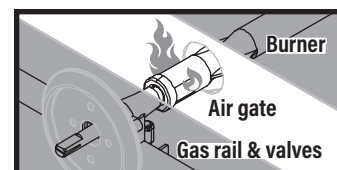
## GAS FLOW TROUBLESHOOTING

### APPLIANCE WILL NOT ACHIEVE A HIGH HEAT OR HEATS UNEVENLY:

- Burner flames are yellow or irregular.
- Burner flames start strong, then immediately drop to low even when burner is set to high position.
- Flame height drops when a second burner is lit.
- Flames DO NOT extend the full length of the burner, or only run on one side of the burner.
- Burner flames are inconsistent.

POSSIBLE CAUSES	SOLUTION
Obstructions in the burner, gas jets, or fuel rail.	Clean the burner, jets, and gas hose.
Gas cylinder is empty or low.	Refill or replace the gas cylinder.
The regulator's flow limiting device was triggered.	Reset the safety system: <b>STEP 01</b> Turn OFF the appliance, close the gas cylinder valve, and disconnect the regulator from the gas cylinder. <b>STEP 02</b> Wait five minutes to allow the pressure to dissipate, then reconnect the regulator to the gas cylinder and slowly open the gas cylinder hand wheel one to three turns. <b>STEP 03</b> Ignite your appliance.
Regulator stuck in safety position.	Contact customer support for replacement parts.

- A flame is coming out of the air gate.



POSSIBLE CAUSES	SOLUTION
Something is blocking the venturi in the burner.	Clean the burner assembly to remove the obstruction.

### IF YOU CAN NOT IGNITE YOUR APPLIANCE WITH A MATCH:

POSSIBLE CAUSES	SOLUTION
Burner tubes are not receiving fuel.	Clean the burner assembly to remove the obstruction.





This page intentionally left blank



This page intentionally left blank





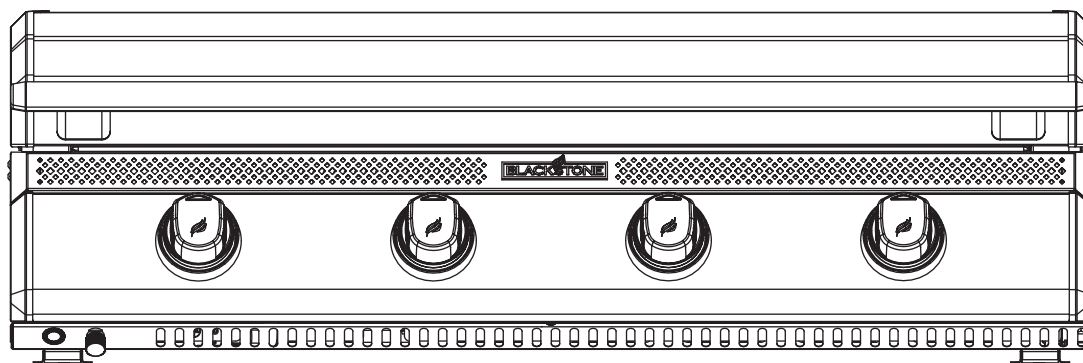
This page intentionally left blank





This product may be covered by one or more issued U.S. and/or international patents and may include patent applications pending. For more information, please visit: [BlackstoneProducts.com/patents](https://BlackstoneProducts.com/patents)





MANUEL DU PROPRIÉTAIRE

# PLAQUE CHAUFFANTE À 4 BRÛLEURS ENCASTRABLE AVEC CAPUCHE

## TABLE DES MATIÈRES

INFORMATIONS DE SÉCURITÉ IMPORTANTES .....	02
SERVICE CLIENT .....	05
GUIDE D'ASSEMBLAGE .....	06
UTILISATION DE VOTRE BLACKSTONE .....	10
DÉPANNAGE .....	16



Dernière version du manuel:  
[BlackstoneProducts.com/support](https://BlackstoneProducts.com/support)

### IMPORTANT:

Ce manuel d'instructions contient des informations importantes nécessaires au montage correct et à l'utilisation en toute sécurité de l'appareil.

Lisez et suivez tous les avertissements et instructions avant d'assembler et d'utiliser l'appareil.

Suivez tous les avertissements et instructions lors de l'utilisation de l'appareil.

Conservez ce manuel pour référence ultérieure.

Installateur/Assembleur : Laisser ces instructions au consommateur.

### CLÉ D'ALERTE DE SÉCURITÉ

#### ⚠ DANGER

Indique une situation dangereuse qui, si elle n'est pas évitée, entraînera la mort ou des blessures graves.

#### ⚠ ATTENTION

Indique une situation dangereuse qui, si elle n'est pas évitée, pourrait entraîner des blessures mineures ou modérées.

#### ⚠ AVERTISSEMENT

Indique une situation dangereuse qui, si elle n'est pas évitée, peut entraîner la mort ou des blessures graves.

#### AVIS

Indique des informations considérées comme importantes, mais non liées à un danger (par exemple, des messages liés à des dommages matériels).

# INFORMATIONS DE SÉCURITÉ IMPORTANTES

## SÉCURITÉ DES APPAREILS À GAZ

### ⚠ DANGER

Si vous sentez une odeur de gaz:

- Fermez le gaz vers l'appareil.
- Éteignez toute flamme nue.
- Ouvrez le capot (le cas échéant).
- Si l'odeur persiste, éloignez-vous de l'appareil et appelez immédiatement votre fournisseur de gaz ou votre service d'incendie.

Le non-respect de ces instructions peut entraîner un incendie ou des dommages matériels, des blessures ou la mort.

### ⚠ AVERTISSEMENT

- Ne stockez pas et N'UTILISEZ PAS d'essence ou d'autres liquides ou vapeurs inflammables à proximité de cet appareil ou de tout autre appareil.
- Une bouteille de GPL non connectée pour utilisation ne doit pas être stockée à proximité de cet appareil ou de tout autre appareil.

### L'INSTALLATION DOIT ÊTRE CONFORME AUX CODES LOCAUX.

En l'absence de codes locaux, l'installation doit être conforme à ANSI Z223.1/NFPA 54, CSA B149.1 ou CSA B149.2.

### ⚠ DANGER

- NE FAITES jamais fonctionner cet appareil sans surveillance.
  - En cas d'incendie, éloignez-vous de l'appareil et appelez immédiatement les pompiers. N'ESSAYEZ PAS d'éteindre un feu d'huile ou de graisse avec de l'eau.
- Le non-respect de ces instructions peut entraîner un incendie ou des dommages matériels, des blessures ou la mort.

### ⚠ DANGER



### RISQUE DE MONOXYDE DE CARBONE

Cet appareil peut produire du monoxyde de carbone qui est toxique et inodore.

Son utilisation dans un espace clos peut vous tuer. N'utilisez jamais cet appareil dans un espace clos tel qu'un camping-car, une tente, une voiture ou une maison.

### ⚠ DANGER

Les objets inflammables peuvent prendre feu s'ils sont placés à proximité de l'appareil.

Gardez la zone de l'appareil dégagée et exempte de matériaux combustibles, de contenants aérosols, d'essence et d'autres vapeurs et liquides inflammables.

### ⚠ AVERTISSEMENT

Une installation, une utilisation, un réglage, une altération, un service, une modification ou un entretien inappropriés peuvent provoquer des dommages matériels, des blessures graves, voire la mort. Reportez-vous à ce manuel.

- L'utilisation d'alcool, de médicaments sur ordonnance ou en vente libre peut nuire à la capacité du consommateur à assembler correctement ou à utiliser l'appareil en toute sécurité.
- Gardez les enfants et les animaux domestiques éloignés de l'appareil à tout moment.
- Ayez à portée de main un extincteur de type BC ou ABC.
- NE PAS utiliser à des fins autres que celles prévues.
- Pour usage domestique extérieur uniquement, pas pour un usage commercial.
- N'UTILISEZ PAS cet appareil comme appareil de chauffage.



## AMÉNAGEMENT DE VOTRE ESPACE EXTÉRIEUR

### CET APPAREIL NE DOIT ÊTRE UTILISÉ QU'À L'EXTÉRIEUR SUR UNE SURFACE PLANE.

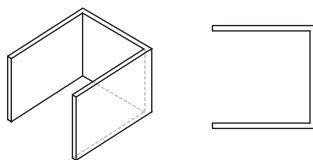
- N'UTILISEZ PAS cet appareil à l'intérieur de bâtiments, de garages ou de tout autre espace clos.
- N'INSTALLEZ PAS cet appareil dans ou sur un bateau.
- N'INSTALLEZ PAS cet appareil dans ou sur un véhicule récréatif.

### ESPACES EXTÉRIEURS ABRITÉS:

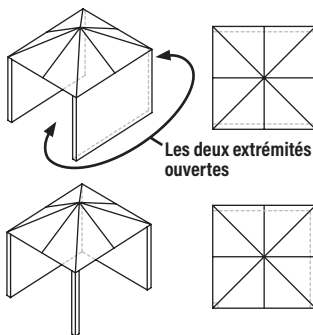
Toutes les ouvertures doivent être ouvertes en permanence ; les portes coulissantes, les portes de garage, les fenêtres ou les ouvertures grillagées ne sont pas considérées comme des ouvertures permanentes.

Un appareil est considéré comme étant à l'extérieur s'il est installé avec un abri ne dépassant pas:

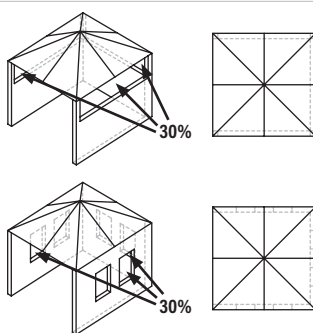
- a. Avec des murs sur trois côtés, mais sans couverture aérienne.



- b. À l'intérieur d'une enceinte partielle qui comprend un toit supérieur et pas plus de deux parois latérales. Les parois latérales peuvent être parallèles, comme dans un passage couvert, ou à angle droit l'une par rapport à l'autre.



- c. À l'intérieur d'une enceinte partielle qui comprend un couvercle supérieur et trois parois latérales, tant que 30% ou plus de la périphérie horizontale de l'enceinte est ouverte en permanence.



### MAINTENIR DES DÉGAGEMENTS APPROPRIÉS PAR RAPPORT AUX MATÉRIEAUX COMBUSTIBLES :

- N'UTILISEZ PAS cet appareil sur ou sous un balcon ou une terrasse d'appartement ou de copropriété.
- NE PAS obstruer le flux d'air de combustion et de ventilation.
- **PAS DE GAINÉ:** N'UTILISEZ PAS cet appareil à moins de 36 po (1 m) des côtés et de l'arrière de l'appareil par rapport à une construction combustible.
- **AVEC GAINÉ:** N'UTILISEZ PAS cet appareil à moins de 6 po (150 mm) des côtés et de l'arrière de l'appareil par rapport à une construction combustible verticale.

## SÉCURITÉ DES APPAREILS ÉLECTRIQUES

Cet appareil est adapté à une utilisation en extérieur.

### POUR SE PROTÉGER CONTRE LES CHOCS ÉLECTRIQUES:

- Ne plongez pas le cordon ou les fiches dans l'eau ou tout autre liquide.
- Débranchez-le de la prise lorsqu'il n'est pas utilisé et avant le nettoyage. Laisser refroidir avant de mettre ou de retirer des pièces.
- Le cordon d'alimentation doit être régulièrement examiné pour détecter tout signe de dommage, et si le cordon est endommagé, l'appareil ne doit pas être utilisé.
- N'UTILISEZ PAS cet appareil avec un cordon ou une fiche endommagés ou après un dysfonctionnement de l'appareil ou a été endommagé de quelque manière que ce soit. Contactez le fabricant pour réparation.
- Ne laissez pas le cordon pendre du bord d'une table ou toucher des surfaces chaudes.
- Gardez tout cordon d'alimentation électrique et le tuyau d'alimentation en carburant éloignés des surfaces chauffées.
- Lors du branchement, branchez d'abord la fiche à l'appareil, puis à la prise.

### L'APPAREIL DOIT ÊTRE CONNECTÉ UNIQUEMENT À UNE PRISE PROTÉGÉE PAR UN DISJONCTEUR DE FUITE À LA TERRE (GFCI).

- Appuyez sur le bouton TEST (puis sur le bouton RESET) chaque mois pour garantir un bon fonctionnement.
- L'appareil doit être connecté à une prise de courant dotée d'un contact de terre.
- Cet appareil, une fois installé, doit être mis à la terre conformément aux codes locaux ou, en l'absence de codes locaux, au Code canadien de l'électricité NFPA 70, Partie I.
- Ne retirez pas la fiche de mise à la terre et ne l'utilisez pas avec un adaptateur à 2 broches.
- Utilisez uniquement des rallonges avec une fiche de mise à la terre à 3 broches, conçues pour la puissance de l'équipement et approuvées pour une utilisation en extérieur avec un marquage W-A.



# INSTALLATION INTÉGRÉE

- Si votre armoire/structure comporte des composants combustibles externes ou internes (bois, plastique, etc.), votre plaque chauffante DOIT utiliser une gaine isolante.
- S'il est installé sous une construction combustible aérienne, l'appareil DOIT être installé conjointement avec une hotte de ventilation robuste appropriée approuvée UL710 ou UIC S646 uniquement.

## EXIGENCES RELATIVES À LA GAINE ISOLANTE

 **AUCUN** combustible dans cette zone

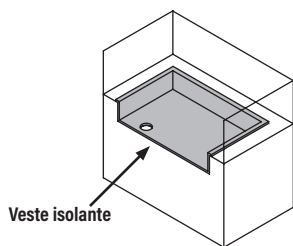
 Combustibles **OK** dans cette zone

### AVEC VESTE

L'armoire/structure peut être réalisée avec des combustibles (Bois, plastique (PVC, HDPE), peinture à l'huile, laque, etc.)

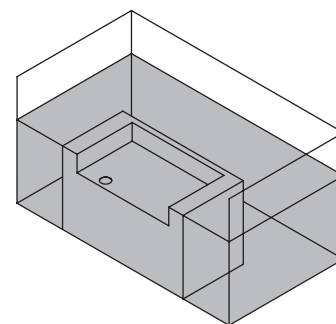
#### AVIS

La gaine isolante doit être fixée de manière permanente à l'armoire.

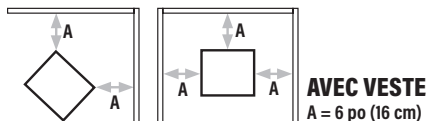


### PAS DE VESTE

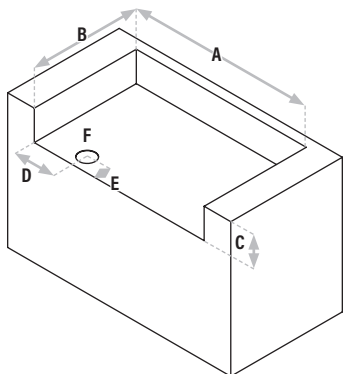
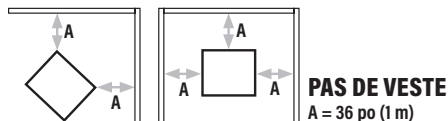
L'armoire/structure DOIT être fabriquée **UNIQUEMENT** avec des matériaux **NON** combustibles (brique, pierre, ciment, métal, verre, etc.)



N'UTILISEZ PAS cet appareil à moins de 6 po (150 mm) des côtés et de l'arrière de l'appareil d'une construction combustible verticale. (murs/dosseret)



N'UTILISEZ PAS cet appareil à moins de 36 po (1 m) des côtés et de l'arrière de l'appareil par rapport à une construction combustible.

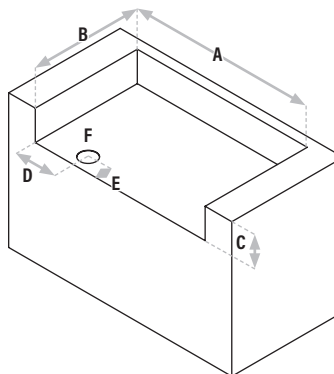


#### DIMENSIONS MINIMALES DE LA CAVITÉ

- A:** Largeur = 43.35 in (110.11 cm)
- B:** Profondeur = 26.09 in (66.27 cm)
- C:** Hauteur = 9.16 in (23.27 cm)  
(> interférera avec la capuche)

#### DIMENSIONS MINIMALES DU TROU

- D:** Du côté = 9.39 in (23.86 cm)
- E:** De face = 5.05 in (12.83 cm)
- F:** Diamètre = 4.33 in (10.93 cm)



#### DIMENSIONS MINIMALES DE LA CAVITÉ

- A:** Largeur = 41.28 in (104.84cm)
- B:** Profondeur = 25.02 in (63.56 cm)
- C:** Hauteur = 7.59 in (19.28 cm)  
(> interférera avec la capuche)

#### DIMENSIONS MINIMALES DU TROU

- D:** Du côté = 8.35 in (21.21 cm)
- E:** De face = 5.05 in (12.83 cm)
- F:** Diamètre = 4.33 in (10.93 cm)



# SERVICE CLIENT

## CONTACTEZ-NOUS

Pour obtenir de l'aide concernant l'utilisation de l'appareil, les pièces de rechange ou votre garantie:

### ÉTATS-UNIS ET CANADA

[BlackstoneProducts.com/support](https://BlackstoneProducts.com/support)

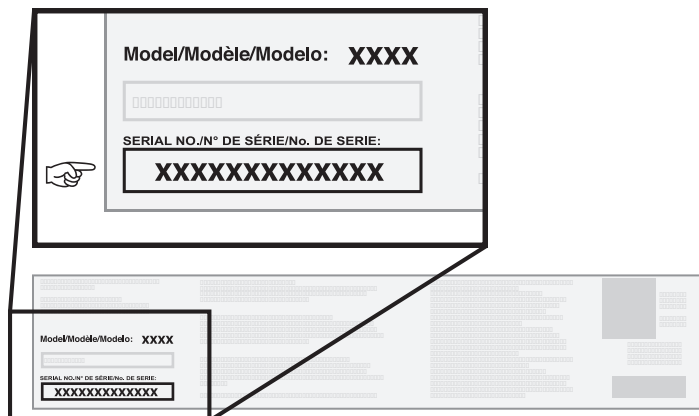
- Du lundi au vendredi | 7h00 - 17h00 (MST/MDT)
- Anglais et Espagnol

Veuillez nous contacter avant de retourner cet appareil à votre revendeur.

## EMPLACEMENT DU NUMÉRO DE SÉRIE

Pour activer votre garantie, vous devrez fournir le numéro de série de votre appareil.

Le numéro de série se trouve sur l'étiquette du fabricant de votre appareil. (L'étiquette du fabricant est un grand autocollant argenté apposé sur le corps de votre appareil.)



LIVRE DE RECETTES  
ÉLECTRONIQUE  
**GRATUIT**  
LORS DE VOTRE INSCRIPTION



## GARANTIE UN AN

North Atlantic Imports, LLC garantit ce produit contre les défauts de matériaux et de fabrication pendant une période d'un (1) an à compter de la date d'achat originale dans des conditions normales d'utilisation. Dans la mesure où de tels défauts se produisent, North Atlantic Imports, LLC, à sa discrétion, fournira gratuitement la ou les pièces de remplacement appropriées.

En aucun cas North Atlantic Imports, LLC ne sera responsable des dommages consécutifs, indirects ou accessoires résultant de l'installation, de l'utilisation ou de la défaillance du produit.

Cette garantie NE couvre PAS:

- Frais d'inspection ou de main d'œuvre pour le remplacement de toute pièce défectueuse;
- Défauts cosmétiques qui n'affectent pas les performances ou l'intégrité du produit;
- L'usure normale;
- Dommages dus au vandalisme ; les catastrophes naturelles, y compris, mais sans s'y limiter, le vent, les tempêtes, la grêle et les inondations;
- Un assemblage, une installation ou une utilisation inappropriés;
- Décoloration ou décoloration de la finition résultant d'une exposition à des produits chimiques, à des déversements, à l'eau de piscine ou à l'eau salée;
- Corrosion/rouille.

Ce produit a été conçu pour la sécurité et la qualité. Toute modification apportée au produit d'origine pourrait compromettre son intégrité structurelle ou sa fonction et entraîner une défaillance du produit ou des blessures. En tant que tel, la modification de ce produit annule toutes les garanties.

Ce produit est destiné à un USAGE RÉSIDENTIEL UNIQUEMENT et n'est pas destiné à des fins commerciales, contractuelles ou autres fins non résidentielles. North Atlantic Imports, LLC décline toute autre représentation et garantie de quelque nature que ce soit, expresse ou implicite.

La garantie s'applique à l'acheteur d'origine et n'est pas transférable. Elle ne s'applique pas aux accessoires ou pièces non fournis avec le produit, aux achats de modèles d'exposition ou aux produits vendus en liquidation ou « tels quels ». Vous pouvez cependant bénéficier d'autres droits légaux spécifiques basés sur les lois de votre état ou pays de résidence.

Pour activer votre garantie, enregistrez votre produit sur

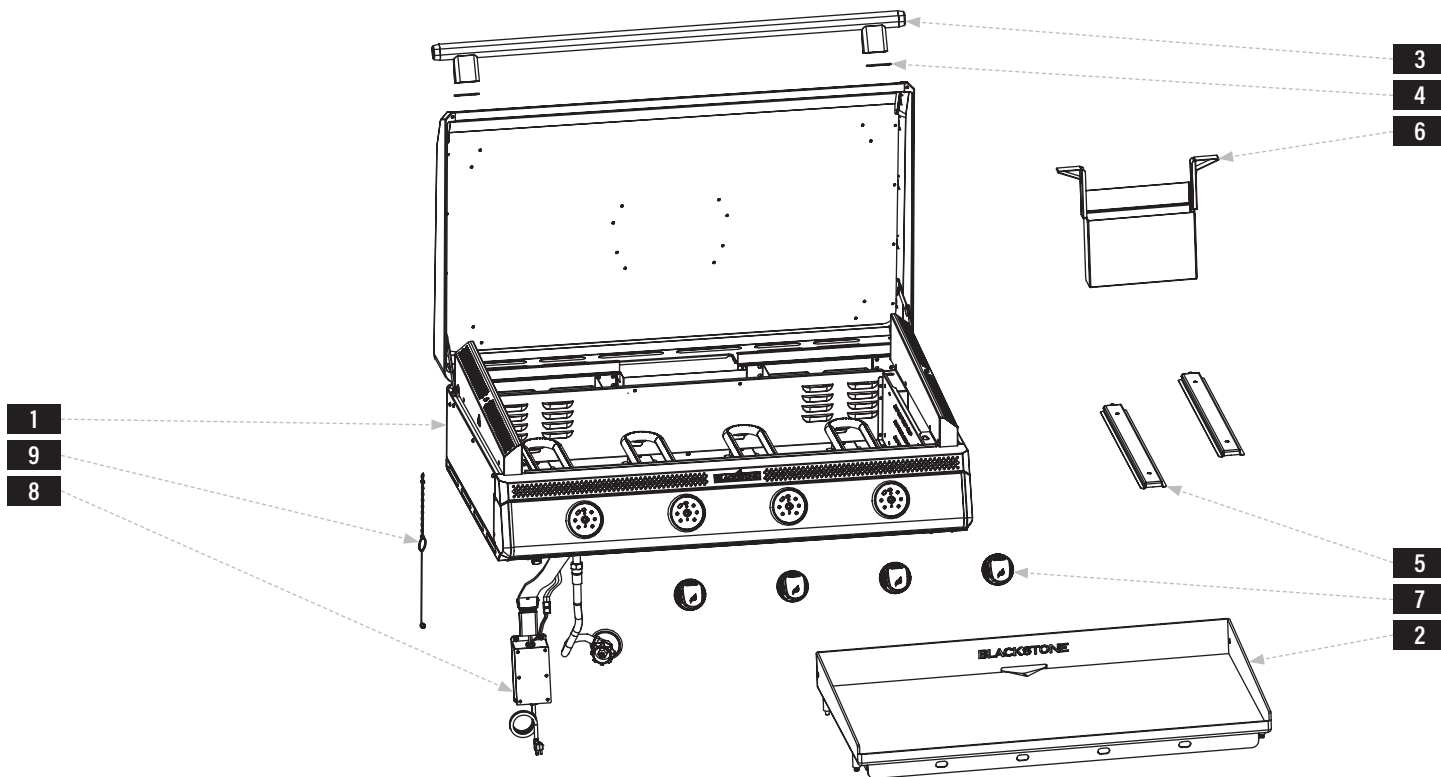
[BlackstoneProducts.com/register](https://BlackstoneProducts.com/register)

North Atlantic Imports, LLC se réserve le droit de changer ou de modifier cette garantie à tout moment.

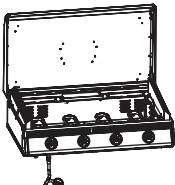
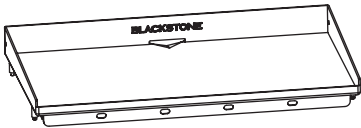
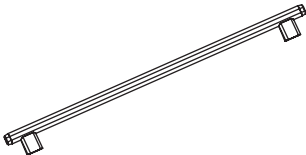
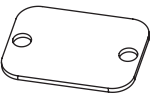
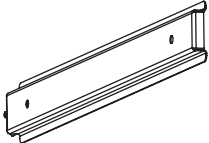
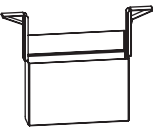

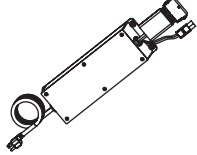

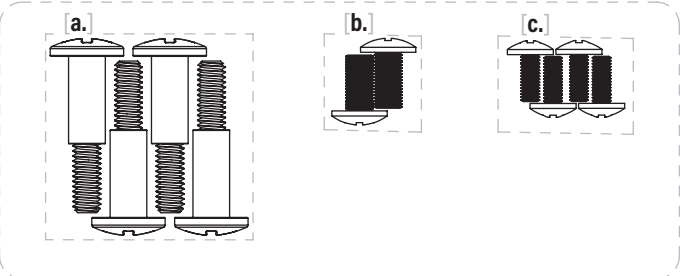
# GUIDE D'ASSEMBLAGE

## VUE ÉCLATÉE

FRANÇAIS



### Liste des pièces

<p><b>1</b> Corps de plancha (1 pièce)</p> 	<p><b>2</b> Plancha (1 pièce)</p> 	<p><b>3</b> Poignée de capot (1 pièce)</p> 			
<p><b>4</b> Rondelles mica (2 pièces)</p> 	<p><b>5</b> Chaînes de chapeau (2 pièces)</p> 	<p><b>6</b> Pot à graisse (1 pièce)</p> 	<p><b>7</b> Boutons de commande (4 pièces)</p> 	<p><b>8</b> Boîte PCB (1 pièce)</p> 	<p><b>9</b> Porte-allumette (1 pièce)</p> 
<p><b>10</b> Pack matériel (1 pièce)</p> <p>a. Boulons à épaulement M6 (4 pièces)</p> <p>b. Vis M5x10 (2 pièces)</p> <p>c. Vis M4x10 (4 pièces)</p>					





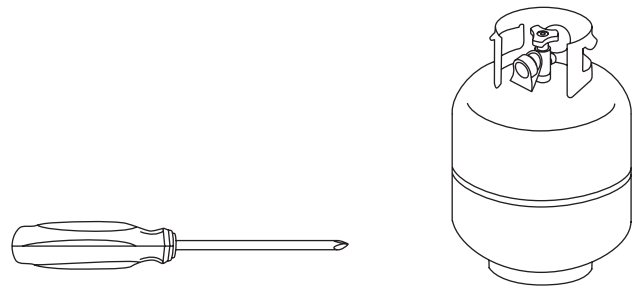
# INSTRUCTIONS DE MONTAGE

Trouvez une grande surface propre pour assembler votre appareil.  
Retirez tous les matériaux d'emballage avant l'assemblage.

**⚠ ATTENTION**  
Bouts pointus. Portez des gants lors de l'assemblage.

**⚠ ATTENTION**  
Morceaux lourds. Deux personnes doivent assembler cet appareil.

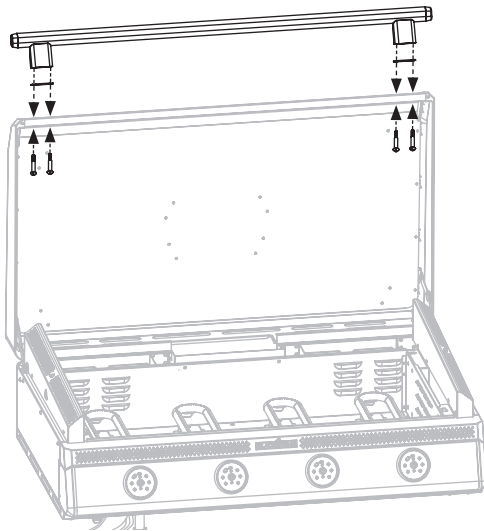
Temps d'assemblage : 1 à 2 heures



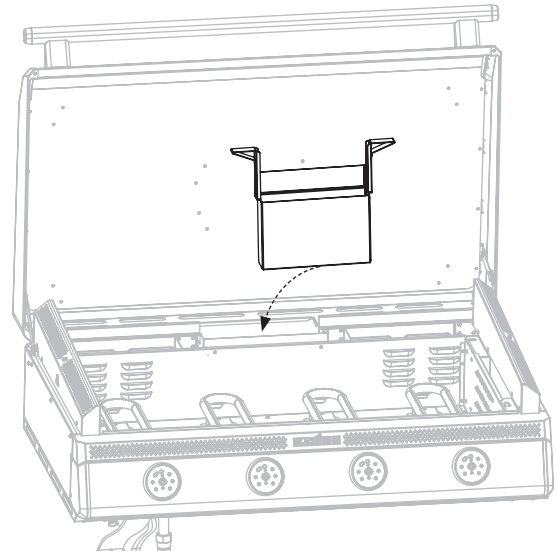
**OUTIL NÉCESSAIRE:**  
Tournevis cruciforme n° 3

**NON INCLUS:**  
Bouteille GPL  
Taille: 45 x 30 cm (18 x 12 po), 9 kg (20 lb)  
La bouteille de GPL doit inclure un collier pour protéger le robinet de la bouteille de GPL.

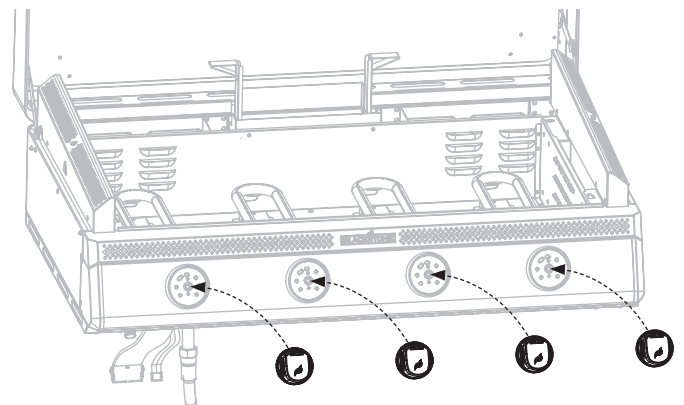
**ÉTAPE 01** Utilisez quatre (4) boulons à épaulement M6 [a.] pour fixer la poignée et l'entretoise de la poignée du capot et deux (2) rondelles en mica à l'avant du capot.



**ÉTAPE 02** Faites glisser le bac à graisse dans le support à l'arrière du corps de la plaque chauffante.

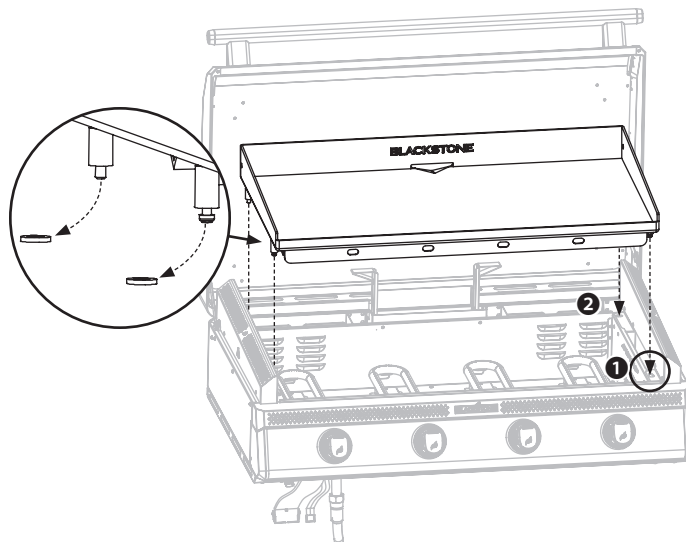
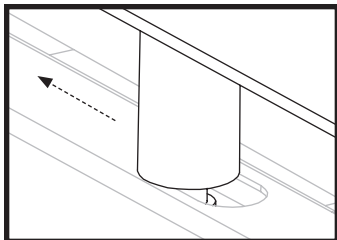


**ÉTAPE 03** Installez les quatre (4) boutons de commande en les poussant en place en position OFF.

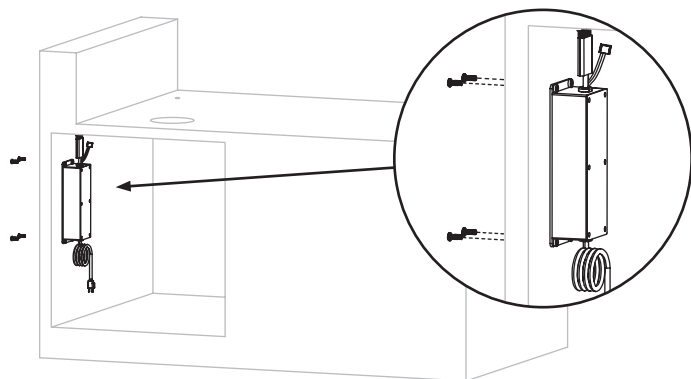


**ÉTAPE 04** Retirez les quatre (4) rondelles de protection des broches du pied de la plaque chauffante. **Avec l'aide d'une autre personne**, placez le dessus de la plaque chauffante sur le corps de la plaque chauffante en alignant les quatre goupilles de pied sur les trous situés sur le dessus de l'appareil.

- 1 Placez les deux goupilles avant dans les trous de verrouillage avant et repoussez le dessus de la plaque chauffante.
- 2 Ensuite, placez les deux broches arrière dans les trous arrière.

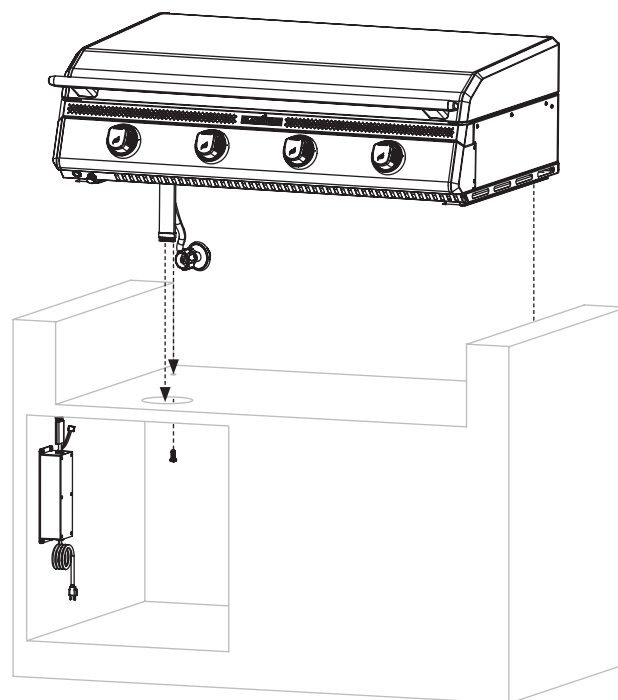


**ÉTAPE 05** Utilisez quatre (4) vis M4x10 [c.] pour fixer le boîtier PCB au panneau latéral gauche de votre armoire.



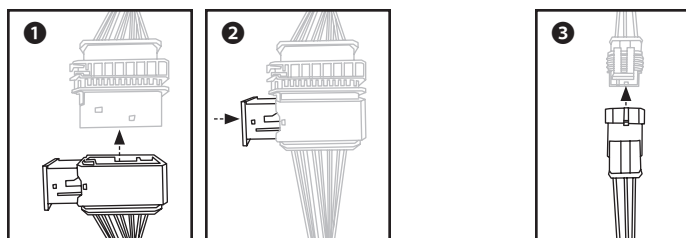
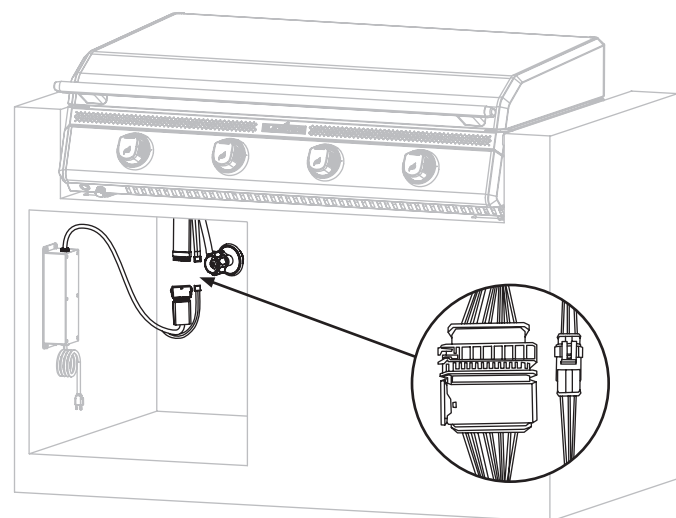
**ÉTAPE 06** Avec l'aide d'une autre personne, dirigez le tuyau du régulateur et les fils électriques à travers le trou de l'armoire et placez le corps de la plaque chauffante sur le dessus de votre armoire.

Utilisez deux (2) vis M5x10 [b.] pour fixer le corps de la plaque chauffante à votre armoire.

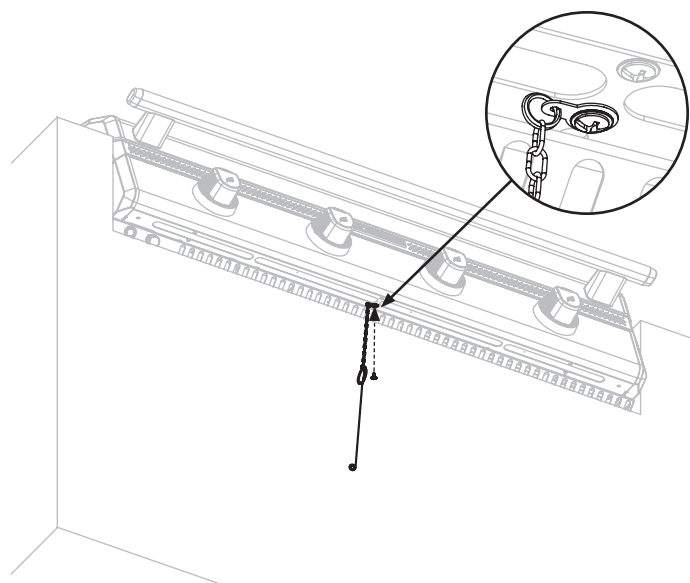




- ÉTAPE 07**
- 1 Poussez le connecteur 18P mâle et femelle ensemble.
  - 2 Appuyez sur le clip jaune pour verrouiller le connecteur.
  - 3 Poussez le connecteur 3P mâle et femelle ensemble.

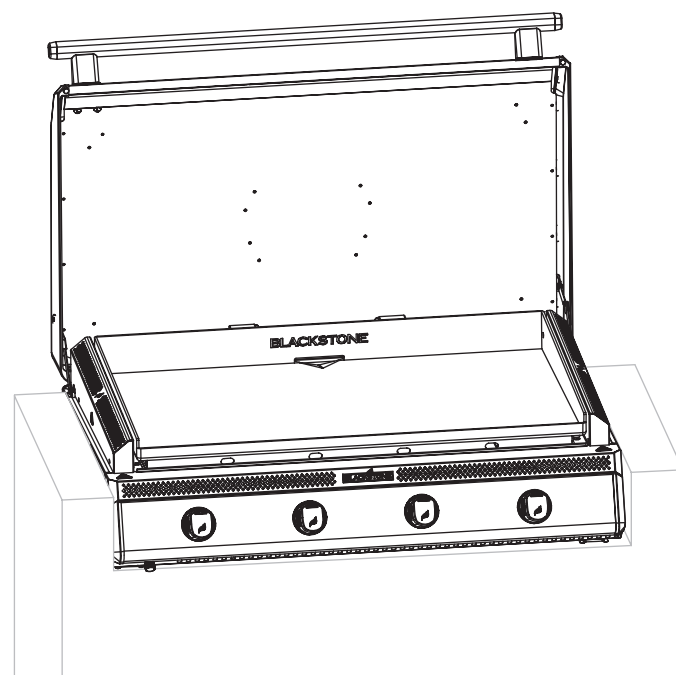


- ÉTAPE 08** Retirez la vis autotaraudeuse du corps de la plaque chauffante et utilisez-la pour fixer le porte-allumette.



FRANÇAIS

- ÉTAPE 09** Passez à **UTILISATION DE VOTRE BLACKSTONE.**



**⚠ ATTENTION**

Appareil chaud. Le couvercle/couvercle/hotte DOIT être ouvert lorsque l'appareil est en cours d'utilisation.



# UTILISATION DE VOTRE BLACKSTONE

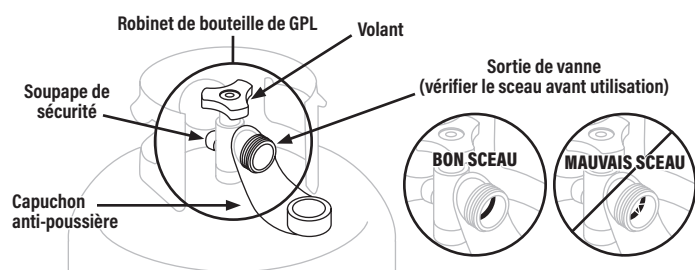
## EXIGENCES RELATIVES AUX BOUTEILLES DE GPL

### POUR CYLINDRES DE 20 LB (9 KG)

- La bouteille d'alimentation en GPL à utiliser doit être construite et marquée conformément aux spécifications pour les bouteilles de gaz GPL, du Département des transports des États-Unis (DOT) ou à la norme relative aux bouteilles, sphères et tubes pour le transport de marchandises dangereuses, CAN/CSA-B339.
- Seules les bouteilles de GPL marquées « propane » doivent être utilisées.

### LE ROBINET DE LA BOUTEILLE DE GPL DOIT AVOIR:

- Sortie de vanne type 1 (filetage extérieur).
- Soupape de sécurité.
- Dispositif de protection contre les débordements (OPD) homologué UL. Cette fonction de sécurité OPD est identifiée par un volant triangulaire unique.
- Capuchon anti-poussière.



Le joint de sortie de la vanne pourrait, avec le temps, présenter des dommages ou une détérioration marqués et visibles qui pourraient provoquer une fuite même avec le raccordement serré.

- Une inspection visuelle du joint doit être effectuée à chaque fois qu'une bouteille de GPL est remplacée ou remplie.
- Toute bouteille de GPL présentant des signes de dommage ou de détérioration comme ceux illustrés, notamment des fissures et des piqûres visibles, doit être retournée inutilisée au vendeur.

## RACCORDS ET TUYAUX

Avant le raccordement et l'utilisation, assurez-vous qu'il n'y a pas de débris coincés dans la tête de la bouteille de gaz, le régulateur, le tuyau, le brûleur et les orifices du brûleur, ni endommagés.

- Une vérification et un serrage annuels des raccords métalliques sont recommandés.
- Évitez de tordre le tube flexible lorsque l'appareil est en cours d'utilisation.
- Assurez-vous que le tuyau n'est pas obstrué, plié ou en contact avec une partie de l'appareil autre qu'au niveau de son raccordement.
- Avant chaque utilisation, vérifiez si les tuyaux sont coupés ou usés. (Un tuyau usé ou endommagé doit être remplacé avant d'utiliser l'appareil.)

(Utilisez uniquement une vanne, un tuyau ou un régulateur approuvé par Blackstone. Le non-respect de ces règles annulera la garantie.)

- Le système d'alimentation des bouteilles de GPL doit être prévu pour l'évacuation des vapeurs.
  - Gardez toujours les nouvelles bouteilles de GPL en position verticale pendant l'utilisation, le transport ou le stockage.
  - Gardez toujours les ouvertures de ventilation de l'enceinte du cylindre libres et exemptes de débris.

Si de la graisse ou tout autre matériau chaud coule sur la vanne, le tuyau ou le régulateur:

**ÉTAPE 01** Coupez immédiatement l'alimentation en gaz.

**ÉTAPE 02** Déterminez la cause et corrigez-la.

**ÉTAPE 03** Nettoyer et inspecter la vanne, le tuyau et le régulateur.

**ÉTAPE 04** Effectuez un test de fuite.

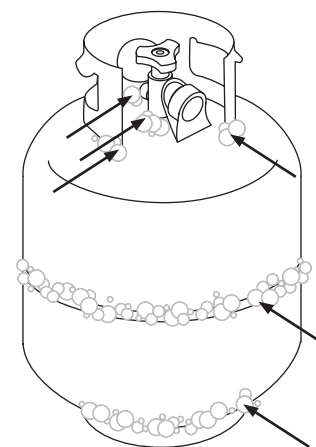
## INSTRUCTIONS POUR LE TEST DE FUITE

- Testez les fuites des bouteilles de GPL neuves et remplacées AVANT de les connecter à l'appareil.
- Ne fumez pas pendant le test de fuite.
- N'UTILISEZ PAS de flamme nue pour vérifier les fuites de gaz.
- L'appareil doit être testé contre les fuites à l'extérieur dans un endroit bien ventilé, loin des sources d'inflammation telles que les appareils à gaz ou électriques.
- Pendant le test de fuite, gardez l'appareil à l'écart des flammes nues ou des étincelles.

### TEST DE FUITE : BOUTEILLE DE GPL

**ÉTAPE 01** Utilisez un pinceau propre pour appliquer une solution d'eau et de savon doux 10% sur les zones de joint de la bouteille de GPL.

Les fuites sont indiquées par des bulles croissantes.



### ⚠ AVERTISSEMENT

Si des bulles croissantes apparaissent pendant le test de fuite, N'UTILISEZ PAS et ne déplacez pas la bouteille de GPL.

Contactez immédiatement un fournisseur de GPL ou les pompiers.

### TEST DE FUITE : VANNES, TUYAUX ET RÉGULATEURS

**ÉTAPE 01** Tournez les boutons de commande sur OFF.

**ÉTAPE 02** Connectez le régulateur à la bouteille de GPL.

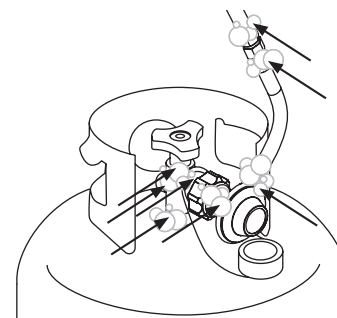
**ÉTAPE 03** Ouvrez complètement le réservoir de GPL en tournant le volant dans le sens inverse des aiguilles d'une montre.

Si vous entendez un bruit précipité, coupez immédiatement le gaz. Il y a une fuite importante au niveau de la connexion.

**ÉTAPE 04** Fermez immédiatement la bouteille de GPL en tournant le volant dans le sens des aiguilles d'une montre et resserrez les raccords. Si les fuites ne peuvent pas être arrêtées, N'ESSEYER PAS DE RÉPARER.

**ÉTAPE 05** Utilisez un pinceau propre pour appliquer une solution d'eau et de savon doux 10% sur les zones de jointure des vannes et du régulateur.

Les fuites sont indiquées par des bulles croissantes.



**ÉTAPE 06** Fermez immédiatement la bouteille de GPL en tournant le volant dans le sens des aiguilles d'une montre et resserrez les raccords.

### ⚠ AVERTISSEMENT

Si les fuites ne peuvent pas être arrêtées, N'ESSEYER PAS de réparer.

Le régulateur doit être remplacé par un modèle approuvé par Blackstone par un revendeur agréé et agréé.



## SÉCURITÉ DU RÉGULATEUR

- Utilisez cet appareil, tel qu'il a été acheté, uniquement avec le gaz et l'ensemble régulateur/vanne fournis. N'UTILISEZ PAS de raccords à connexion rapide ou d'autres modules complémentaires.
- NE PAS croiser le filetage (forcer à un angle inapproprié) la connexion entre votre bouteille de GPL et le régulateur.
- Si vous ne parvenez pas à connecter le régulateur, N'UTILISEZ PAS le régulateur.

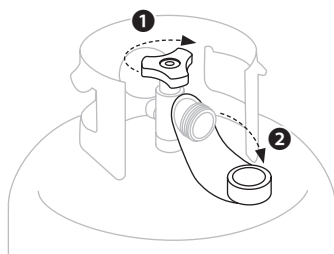
Le régulateur doit être remplacé par un modèle approuvé par Blackstone par un revendeur agréé et agréé.

## CONNECTER LA BOUTEILLE DE GPL UTILISEZ UNIQUEMENT UN CYLINDRE DE 20 LB (9 KG)

**ÉTAPE 01** Tournez les boutons de commande sur OFF.

1 Assurez-vous que la bouteille de GPL est éteinte en tournant le volant dans le sens des aiguilles d'une montre jusqu'à l'arrêt complet.

2 Retirez le capuchon de sécurité de la sortie de la vanne.

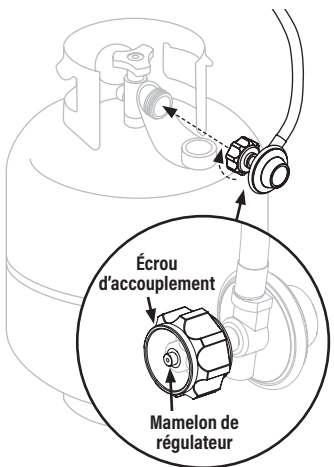


**ÉTAPE 02** Tenir le régulateur en ligne droite avec la sortie de la vanne afin de NE PAS croiser le filetage du raccord.

Centrez et insérez le mamelon du régulateur dans la sortie de la vanne. Serrez l'écrou d'accouplement à la main dans le sens des aiguilles d'une montre.

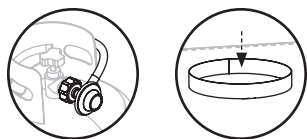
(N'UTILISEZ PAS d'outils pour vous connecter.)

Si la connexion ne peut pas être effectuée, débranchez le régulateur et répétez cette étape.



**ÉTAPE 03** La soupape de sécurité doit être tournée vers l'utilisateur pendant que l'appareil est en cours d'utilisation.

Placez la bouteille de GPL dans l'armoire à propane.



Utilisez un système de rétention de bouteille de GPL pour empêcher la bouteille de basculer.

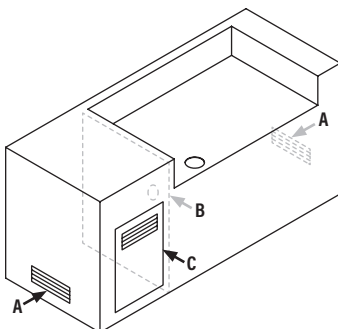
L'armoire NE PEUT PAS stocker 2 bouteilles de gaz ou plus.

### CONSTRUCTION DU BOÎTIER DU CYLINDRE DE GPL

**A:** Aérations de 4 x 6 po (10 x 15 cm) au bas et sur les deux côtés de l'armoire.

**B:** Paroi de plénum pour séparer le compartiment bouteille de GPL.

**C:** Porte d'accès aux bouteilles de GPL.



## REPLISSAGE ET ÉCHANGE

- Utilisez uniquement des sociétés d'échange réputées qui inspectent, remplissent avec précision, testent et certifient leurs bouteilles. Le revendeur de GPL doit purger la nouvelle bouteille avant de la remplir.
- Pour retirer le gaz de la bouteille de GPL, contactez un revendeur de GPL certifié ou les pompiers locaux pour obtenir de l'aide.
- Ne rejetez pas de gaz de pétrole liquéfié (GPL) dans l'atmosphère.

Votre détaillant peut vous aider à associer une bouteille de GPL de remplacement à votre appareil.

Le volume de propane dans la bouteille varie en fonction de la température.

### ⚠ AVERTISSEMENT

Un régulateur gelé indique un remplissage excessif de gaz. Fermez immédiatement le robinet de la bouteille de GPL et appelez votre revendeur GPL local pour obtenir de l'aide.

- Remplacez la bouteille uniquement par une bouteille équipée d'un dispositif de sécurité OPD.

## STOCKAGE DES BOUTEILLES DE GPL

### ⚠ AVERTISSEMENT

- Ne stockez pas de bouteille de GPL de rechange sous, à proximité ou dans cet appareil.
- Ne remplissez pas une bouteille de GPL à plus de 80%. Si les informations ci-dessus ne sont pas respectées à la lettre, un incendie pouvant entraîner la mort ou des blessures graves peut survenir.

- La bouteille de GPL doit être éteinte lorsque l'appareil n'est pas utilisé.
- Les bouteilles de GPL doivent être stockées à l'extérieur et hors de portée des enfants.
- Ne stockez pas de bouteille de GPL à l'intérieur d'un bâtiment, d'un garage ou dans tout autre espace clos.
- Ne stockez pas une bouteille de GPL là où les températures peuvent atteindre plus de 122°F (50°C).

## DÉBRANCHEMENT DE LA BOUTEILLE DE GPL

Le stockage de l'appareil à l'intérieur n'est autorisé que si la bouteille de GPL est débranchée et retirée de l'appareil.

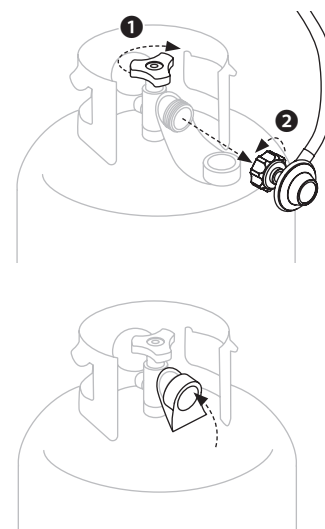
**ÉTAPE 01** Assurez-vous que les boutons de commande sont tournés sur OFF.

1 Assurez-vous que la bouteille de GPL est éteinte en tournant le volant dans le sens des aiguilles d'une montre jusqu'à l'arrêt complet.

2 Tournez manuellement l'écrou d'accouplement dans le sens inverse des aiguilles d'une montre pour retirer le régulateur. (N'UTILISEZ PAS d'outils pour déconnecter.)

**ÉTAPE 02** Placez le capuchon anti-poussière sur la sortie du robinet de la bouteille de GPL lorsque la bouteille n'est pas utilisée.

Installez uniquement le type de capuchon anti-poussière sur la sortie du robinet de la bouteille fourni avec le robinet de la bouteille. D'autres types de bouchons ou de bouchons peuvent entraîner une fuite de propane.



# INSTRUCTIONS D'ALLUMAGE

## 1. CLAPETS ANTI-RETOUR

⚠ Assurez-vous que le gaz est coupé au niveau du robinet d'arrêt d'alimentation avant de vérifier les vannes de l'appareil.

**ÉTAPE 01** Tournez tous les boutons en position ❶ d'arrêt.

**ÉTAPE 02** Appuyez sur le bouton et relâchez. Le bouton devrait revenir en arrière.

Si les boutons ne reviennent pas, remplacez l'assemblage de la valve avant d'utiliser l'appareil.

**ÉTAPE 03** Tournez le bouton sur FAIBLE puis remettez-le sur DÉSACTIVÉ. Le bouton doit tourner en douceur.

## 2. ALLUMAGE ÉLECTRIQUE

⚠ Ne vous penchez pas sur l'appareil pendant l'allumage. Assurez-vous que l'appareil est branché.

**ÉTAPE 01** Appuyez sur le bouton MARCHE.

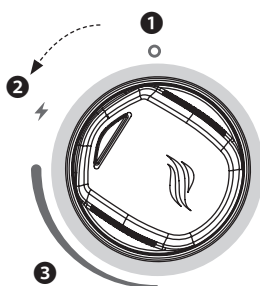
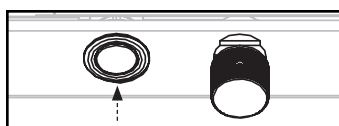
(Facultatif: tournez le gradateur jusqu'à ce qu'il s'enclenche pour éteindre les lumières de la plaque d'eau.)

**ÉTAPE 02**

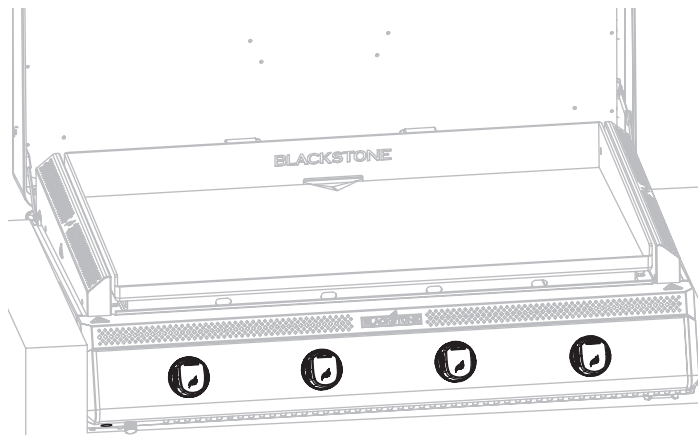
❶ Appuyez sur le bouton de commande pour démarrer l'écoulement du gaz. (**BLANC**)

❷ Tournez le bouton de commande dans le sens antihoraire pour activer le démarreur. (**BLEU CLIGNOTANT**)

❸ Vérifiez la flamme et ajustez la température au niveau désiré. (**ORANGE**)



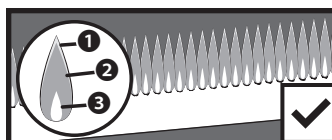
**Remarque:** Si l'aimant du bouton est déconnecté, le voyant lumineux sera orange. Si la flèche du bouton est orientée vers le HAUT, le gaz ne circule pas. Ne retirez pas le panneau de commande si des problèmes surviennent. Contactez l'assistance clientèle.



## 3. VÉRIFIEZ TOUJOURS LA FLAMME DU BRÛLEUR AVANT UTILISATION.

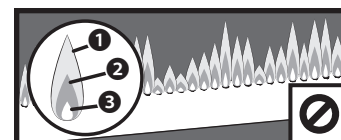
Allumez les brûleurs et regardez sous la surface de cuisson pour voir les brûleurs. Lorsque le bouton est sur HIGH, les flammes doivent être plus grandes que lorsque le bouton est sur LOW.

### MODÈLE DE FLAMME SAIN



- ❶ Des scintillement de jaune.
- ❷ Bleu foncé.
- ❸ Bleu vif.

### JAUNE OU IRRÉGULIER



Si les flammes sont jaunes ou irrégulières, veuillez vous référer au chapitre Dépannage.

### ⚠ AVERTISSEMENT

Si le brûleur ne s'allume pas avec la vanne d'alimentation en gaz ouverte, le gaz continuera à s'écouler du brûleur et pourrait s'enflammer accidentellement/par inadvertance avec un risque de blessure.

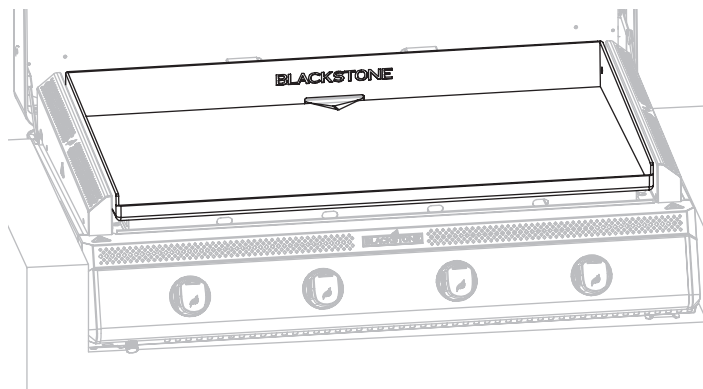
**Si l'allumage ne se produit pas dans les 5 secondes:**

1. Éteignez le bouton de commande du brûleur.
2. Attends 5 minutes.
3. Répétez la procédure d'éclairage.

Si le brûleur ne s'allume pas, veuillez vous référer au chapitre Dépannage.



# INSTRUCTIONS D'ASSAISONNEMENT POUR PLAQUE CHAUFFANTE



## LAVER LE DESSUS DE VOTRE PLANCHA AVANT LA PREMIÈRE UTILISATION

### AVIS

Le savon ruinerait une plaque chauffante assaisonnée. C'est la seule fois où vous devez utiliser du savon sur la surface de cuisson de la plaque chauffante.

**ÉTAPE 01** Lavez la surface de cuisson de la plaque chauffante avec de l'eau chaude savonneuse.

**ÉTAPE 02** Rincez et séchez complètement.

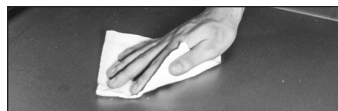
## ASSAISONNER VOTRE PLANCHA



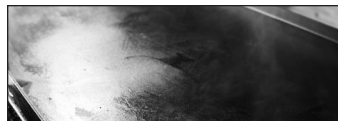
### DIDACTICIEL VIDÉO

Comment assaisonner une nouvelle plaque chauffante Blackstone  
[youtube.com/watch?v=VspmDVnj2pl&t=3s](https://www.youtube.com/watch?v=VspmDVnj2pl&t=3s)

**ÉTAPE 01** Essuyez tous les débris du dessus de la plaque chauffante.



**ÉTAPE 02** Réglez votre plaque chauffante à feu vif jusqu'à ce que le dessus de votre plaque chauffante change de couleur. (~10 minutes)

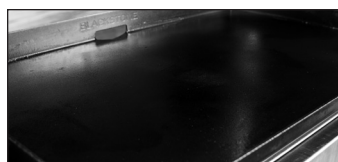


**ÉTAPE 03** Utilisez des pinces pour tenir une serviette en papier ou un chiffon en coton et étalez 2 à 3 cuillères à soupe de votre huile d'assaisonnement sur tout le dessus de la plaque chauffante.

Lorsque vous assaisonnez le dessus de votre plaque chauffante, n'oubliez pas d'utiliser une couche d'huile fine et uniforme - plus la couche d'huile est fine, plus il sera facile de la brûler.



**ÉTAPE 04** Le dessus de la plaque chauffante est prêt pour une autre couche d'huile lorsqu'il cesse de fumer. Répétez L'ÉTAPE 03 3 à 4 fois ou jusqu'à ce que la surface de la plaque chauffante soit noire.



### AVIS

Ne rangez aucun objet à moins de 8 cm (3 po) du dessus de la plaque chauffante pendant son utilisation.

### QUELLE HUILE EST PRÉFÉRABLE D'UTILISER?

- Blackstone Seasoning and Cast Iron Conditioner.
- Toute huile de cuisson à base de plantes.
- Graisse animale fondue sans additifs.



### ATTENTION

Jetez correctement les chiffons/serviettes utilisés pour répandre l'huile sur votre plaque chauffante afin d'éviter les incendies qui pourraient survenir en raison d'une combustion spontanée.

Dans de bonnes conditions, l'huile résiduelle sur les chiffons ou les serviettes peut s'oxyder longtemps après avoir été retirée d'une source de chaleur. Le processus d'oxydation lui-même produit de la chaleur qui, si elle n'est pas dissipée, peut s'accumuler et provoquer l'inflammation des chiffons/serviettes et des matériaux environnants.

## DÉPANNAGE DE L'ASSAISONNEMENT

### IL Y A UN RÉSIDU BRUNÂTRE SUR LA SURFACE DE LA PLAQUE CHAUFFANTE:

#### CAUSES POSSIBLES

- Trop d'huile a été utilisée.
- Vous avez éteint le chauffage trop tôt.

#### LA SOLUTION

**ÉTAPE 01** Allumez votre plaque chauffante à feu vif et laissez-la chauffer pendant 10 à 15 minutes.

**ÉTAPE 02** Grattez autant que possible l'huile épaissie et partiellement cuite.

**ÉTAPE 03** Réassaisonnez avec une très fine couche d'huile.

### LES BORDS DE LA SURFACE DE LA PLAQUE CHAUFFANTE NE SONT PAS NOIRS:

Après avoir utilisé votre plaque chauffante pour plusieurs cuisiniers, l'assaisonnement s'uniformisera et s'améliorera.

## PRÉVENTION DE LA ROUILLE

Utilisez fréquemment votre plancha. Chaque fois que vous cuisinez, vous ajoutez de l'assaisonnement, ce qui rend la rouille moins probable.

### AVIS

Si vous vivez dans un climat humide ou côtier, votre plancha peut nécessiter des assaisonnements plus fréquents entre les utilisations.

Si de la rouille apparaît sur la surface de la plaque chauffante, frottez-la avec de la laine d'acier, du papier de verre à faible grain ou la **Blackstone Pumice Stone** et ré-assaisonnez la surface.



### DIDACTICIEL VIDÉO

Récupération de votre plaque chauffante Blackstone  
[youtube.com/watch?v=thPE2lgnSil](https://www.youtube.com/watch?v=thPE2lgnSil)



## CUISINER SUR VOTRE BLACKSTONE

### ⚠ ATTENTION

Cet appareil sera chaud pendant et après son utilisation. Utilisez des ustensiles à long manche et des gants de cuisine/de protection lorsque vous manipulez des pièces potentiellement chaudes, y compris les poignées proches du corps de l'appareil, pour vous protéger contre les brûlures et les éclaboussures.

LA TEMPÉRATURE AMBIANTE MINIMALE DE FONCTIONNEMENT EST DE 0°F (-18°C).

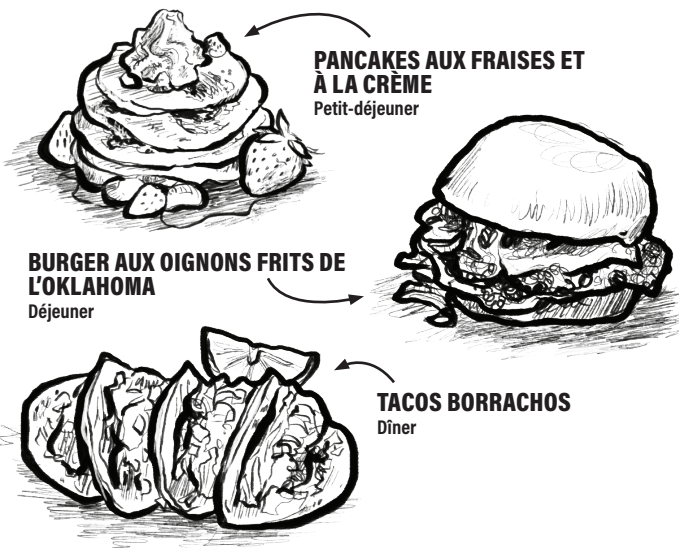
### RECETTES VIDÉO

Trouvez des recettes et des conseils de cuisine sur:

🌐 [BlackstoneProducts.com/recipes](https://BlackstoneProducts.com/recipes)

📺 [youtube.com/BlackstoneGriddles](https://youtube.com/BlackstoneGriddles)

📱 @blackstoneproducts



### NETTOYER LE DESSUS DE VOTRE PLANCHA

Nettoyez le dessus de la plaque chauffante après chaque utilisation, pendant qu'il est encore chaud.

- N'UTILISEZ PAS de savon sur le dessus de la plaque chauffante. Cela détruira l'assaisonnement de la plaque chauffante.



#### DIDACTICIEL VIDÉO

Comment nettoyer votre plaque chauffante Blackstone

📺 [youtube.com/watch?v=-ledu9z6NPY](https://youtube.com/watch?v=-ledu9z6NPY)

**ÉTAPE 01** Poussez les débris alimentaires dans le bac à graisse avec une spatule ou un grattoir métallique droit.



**ÉTAPE 02** Essuyez le dessus de la plaque chauffante avec une serviette en papier ou un tampon à récurer Blackstone.



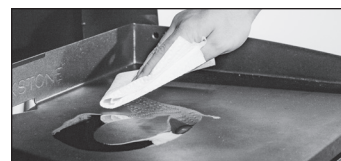
**ÉTAPE 03** Appliquez quelques cuillères à soupe d'eau sur la surface de la plaque chauffante, puis raclez l'eau et les débris dans le bac à graisse. (Pour les résidus alimentaires collés, utilisez un peu de gros sel.)



**ÉTAPE 04** Essuyez à nouveau avec une serviette en papier et séchez complètement.



**ÉTAPE 05** Appliquez une fine couche d'huile de cuisson pour maintenir l'assaisonnement et protéger le dessus de la plaque chauffante.



### VIDEZ VOTRE GODET À GRAISSE

Le bac à graisse doit être retiré et vidé après chaque utilisation.

**Remarque:** En vous assurant que votre plaque chauffante est sur un sol plat, la graisse et l'eau s'écouleront vers l'orifice de graissage arrière.

### ⚠ ATTENTION

Le bac à graisse sera chaud pendant et après l'utilisation. Ne retirez pas le bac à graisse tant que la plaque chauffante n'est pas complètement refroidie.



## ENTRETIEN ET MAINTENANCE

### ⚠ AVERTISSEMENT

L'accumulation de graisse peut provoquer un incendie. Nettoyez toute partie de l'appareil qui devient chaude et qui subit une accumulation de graisse après chaque utilisation.

### ⚠ ATTENTION

Tout le nettoyage et l'entretien doivent être effectués lorsque l'appareil est froid et que tout est éteint.

- N'UTILISEZ PAS de tampon abrasif sur les zones comportant des graphiques.
- Si une brosse à poils est utilisée pour nettoyer l'une des surfaces de cuisson, assurez-vous qu'aucun poil lâche ne reste sur les surfaces de cuisson avant la cuisson.

### CORPS DE L'APPAREIL:

Laver à l'eau tiède savonneuse et essuyer immédiatement avec un chiffon non abrasif. (Ne laissez pas les agents de nettoyage reposer sur une surface poreuse pendant une période prolongée.)

### AVIS

N'UTILISEZ PAS de Citrisol, de nettoyants abrasifs ou de nettoyant concentré sur l'appareil. Cela peut entraîner des dommages et une défaillance des pièces.

## STOCKAGE D'APPAREILS

### ⚠ AVERTISSEMENT

Ne déplacez pas l'appareil pendant son utilisation. Laissez l'appareil refroidir à 115°F (45°C) avant de le déplacer ou de le ranger.

Couvrez toujours votre appareil lorsqu'il est rangé à l'extérieur.



### TROUVER MA COUVERTURE

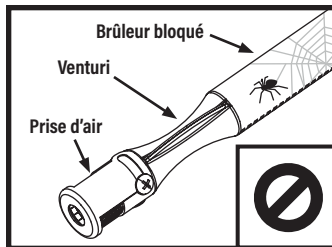
BlackstoneProducts.com

- Couvertures
- Porter des sacs

## NETTOYAGE DE L'ENSEMBLE BRÛLEUR

Les araignées et les insectes peuvent nicher à l'intérieur et obstruer le brûleur/ tube venturi au niveau de l'orifice.

Pour réduire les risques de « retour de flamme », la procédure ci-dessous doit être suivie au moins une fois par mois lorsque les araignées sont les plus actives ou lorsque votre appareil n'a pas été utilisé pendant une période de temps.



### ⚠ AVERTISSEMENT

Un brûleur obstrué peut provoquer un incendie sous l'appareil.

Le brûleur doit être retiré et nettoyé chaque fois que des blocages sont détectés.



### DIDACTICIEL VIDÉO

Comment nettoyer votre tube de brûleur  
[youtube.com/watch?v=xKQTCrFCzf8](https://www.youtube.com/watch?v=xKQTCrFCzf8)

**ÉTAPE 01** Assurez-vous que le gaz est éteint au niveau des boutons de commande et de l'alimentation en gaz. Retirez le dessus de la plaque chauffante.

**ÉTAPE 02** Détachez et retirez soigneusement le brûleur.



**ÉTAPE 03** Nettoyez l'intérieur du brûleur:

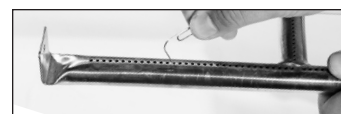
- Passez plusieurs fois une brosse à bouteille étroite dans le brûleur. (NE PAS utiliser de brosses métalliques)
- Utilisez de l'air comprimé pour souffler le brûleur. (Porter des lunettes de protection)



**ÉTAPE 04** Brossez toute la surface extérieure du brûleur pour enlever la saleté.

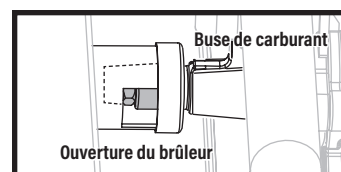


**ÉTAPE 05** Nettoyez tous les ports bloqués avec un fil rigide tel qu'un trombone ouvert.



**ÉTAPE 06** Remplacez soigneusement les brûleurs et rattachés-les, en faisant attention à l'emplacement de l'aiguille d'allumage.

⚠ La buse de carburant de la rampe de gaz doit être réengagée dans l'ouverture du brûleur.



# DÉPANNAGE

## DÉPANNAGE D'ALLUMAGE

### LE BRÛLEUR NE S'ALLUME PAS:

Si l'allumage ne se produit pas dans les 5 secondes:

**ÉTAPE 01** Éteignez le bouton de commande du brûleur.

**ÉTAPE 02** Attendez 5 minutes.

**ÉTAPE 03** Répétez la procédure d'allumage.

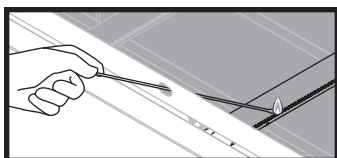
Si cela ne fonctionne pas, pour en déterminer la cause, essayez d'allumer votre appareil avec une allumette.

### INSTRUCTIONS D'ALLUMAGE DES ALLUMETTES

Avant de commencer, vérifiez les fuites de gaz. Ouvrez le capot (le cas échéant).

**ÉTAPE 01** Tourner le bouton de commande en position OFF.

**ÉTAPE 02** Allumez une allumette (ou un long briquet) d'au moins 11 pouces de long.



**ÉTAPE 03** Placez la flamme sur le côté droit ou gauche du brûleur.

**ÉTAPE 04** Poussez et tournez le bouton de commande pour faire couler le gaz. Assurez-vous que le brûleur s'allume et reste allumé.

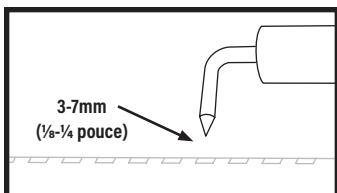
### SI VOUS POUVEZ ALLUMER VOTRE APPAREIL AVEC UNE ALLUMETTE:

#### CAUSES POSSIBLES

Fil d'allumage mal aligné.

#### LA SOLUTION

Assurez-vous que l'aiguille de l'allumeur est positionnée à 3-7 mm ( $\frac{1}{8}$ - $\frac{1}{4}$  pouce) du brûleur et alignée avec les trous du brûleur.



Dommages au système d'allumage.

Contactez le service client pour les pièces de rechange.

### SI VOUS NE PARVEZ PAS À ALLUMER VOTRE APPAREIL AVEC UNE ALLUMETTE:

#### CAUSES POSSIBLES

Les tubes de brûleur ne reçoivent pas de combustible.

#### LA SOLUTION

Nettoyez l'ensemble du brûleur pour éliminer l'obstruction.

## DÉPANNAGE DU DÉBIT DE GAZ

### L'APPAREIL N'ATTEINDRA PAS UNE CHALEUR ÉLEVÉE OU CHAUFFERA DE MANIÈRE INÉGALE :

- Les flammes du brûleur sont jaunes ou irrégulières.
- Les flammes du brûleur commencent à être fortes, puis chutent immédiatement au niveau bas même lorsque le brûleur est réglé en position haute.
- La hauteur de la flamme diminue lorsqu'un deuxième brûleur est allumé.
- Les flammes ne s'étendent pas sur toute la longueur du brûleur ou ne circulent que d'un côté du brûleur.
- Les flammes du brûleur sont irrégulières.

#### CAUSES POSSIBLES

Obstructions dans le brûleur, les jets de gaz ou la rampe de carburant.

La bouteille de gaz est vide ou presque vide.

Le limiteur de débit du régulateur s'est déclenché.

#### LA SOLUTION

Nettoyez le brûleur, les jets et le tuyau de gaz.

Remplissez ou remplacez la bouteille de gaz.

Réinitialisez le système de sécurité:

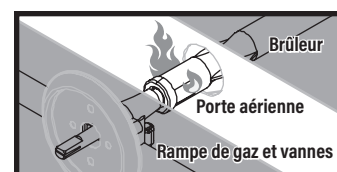
**ÉTAPE 01** Éteignez l'appareil, fermez le robinet de la bouteille de gaz et débranchez le régulateur de la bouteille de gaz.

**ÉTAPE 02** Attendez cinq minutes pour permettre à la pression de se dissiper, puis rebranchez le régulateur à la bouteille de gaz et ouvrez lentement le volant de la bouteille de gaz d'un à trois tours.

**ÉTAPE 03** Allumez votre appareil.

Détendeur bloqué en position de sécurité.

Contactez le service client pour les pièces de rechange.



- Une flamme sort de la grille d'aération.

#### CAUSES POSSIBLES

Quelque chose bloque le venturi dans le tube du brûleur.

#### LA SOLUTION

Nettoyez l'ensemble du brûleur pour éliminer l'obstruction.





Cette page a été intentionnellement laissée vierge



Cette page a été intentionnellement laissée vierge





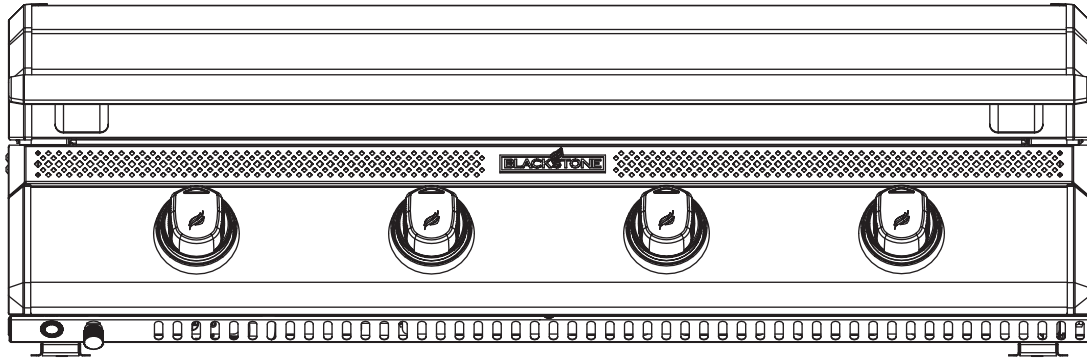
Cette page a été intentionnellement laissée vierge





Ce produit peut être couvert par un ou plusieurs brevets américains et/ou internationaux délivrés et peut inclure des demandes de brevet en instance. Pour plus d'informations, rendez-vous sur: [BlackstoneProducts.com/patents](https://BlackstoneProducts.com/patents)





MANUAL DEL PROPIETARIO

# PLANCHA DE 4 QUEMADORES EMPOTRABLE CON CAPUCHA

## TABLA DE CONTENIDO

INFORMACION DE SEGURIDAD IMPORTANTE .....	02
ATENCIÓN AL CLIENTE .....	05
GUÍA DE MONTAJE .....	06
USANDO SU BLACKSTONE .....	10
SOLUCIÓN DE PROBLEMAS .....	16



Última versión del manual:  
[BlackstoneProducts.com/support](http://BlackstoneProducts.com/support)

### IMPORTANTE:

Este manual de instrucciones contiene información importante necesaria para el correcto montaje y uso seguro del aparato.

Lea y siga todas las advertencias e instrucciones antes de ensamblar y usar el aparato.

Siga todas las advertencias e instrucciones cuando utilice el aparato.

Guarde este manual para referencia futura.

Instalador/Ensamblador: Deje estas instrucciones con el consumidor.

### CLAVE DE ALERTA DE SEGURIDAD

#### ⚠ PELIGRO

Indica una situación peligrosa que, si NO SE evita, provocará la muerte o lesiones graves.

#### ⚠ ATENCIÓN

Indica una situación peligrosa que, si NO SE evita, podría provocar lesiones leves o moderadas.

#### ⚠ ADVERTENCIA

Indica una situación peligrosa que, si NO SE evita, podría provocar la muerte o lesiones graves.

#### AVISO

Indica información que se considera importante, pero no relacionada con peligros (por ejemplo, mensajes relacionados con daños a la propiedad).



# INFORMACION DE SEGURIDAD IMPORTANTE

## SEGURIDAD DE LOS APARATOS DE GAS

### ⚠ PELIGRO

Si huele a gas:

- Cierre el suministro de gas al aparato.
- Apague cualquier llama abierta.
- Abra el capó (si corresponde).
- Si el olor continúa, manténgase alejado del aparato y llame inmediatamente a su proveedor de gas o al departamento de bomberos.

El incumplimiento de estas instrucciones podría provocar incendios o daños a la propiedad, lesiones personales o la muerte.

### ⚠ ADVERTENCIA

- No almacene ni use gasolina u otros líquidos o vapores inflamables cerca de este o cualquier otro aparato.
- Un cilindro de GLP que no esté conectado para su uso no debe almacenarse cerca de este ni de ningún otro aparato.

### LA INSTALACIÓN DEBE CUMPLIR CON LOS CÓDIGOS LOCALES.

En ausencia de códigos locales, la instalación debe cumplir con ANSI Z223.1/NFPA 54, CSA B149.1 o CSA B149.2.

### ⚠ PELIGRO

- **NUNCA opere este aparato sin supervisión.**
  - Si ocurriera un incendio, manténgase alejado del aparato y llame inmediatamente a los bomberos. **NO INTENTE extinguir un incendio de aceite o grasa con agua.**
- El incumplimiento de estas instrucciones podría provocar incendios o daños a la propiedad, lesiones personales o la muerte.

### ⚠ PELIGRO



### PELIGRO DE MONÓXIDO DE CARBONO

Este aparato puede producir monóxido de carbono, que es venenoso y no tiene olor.

Usarlo en un espacio cerrado puede matarte.

**NUNCA** utilice este aparato en un espacio cerrado como una caravana, una tienda de campaña, un automóvil o una casa.

### ⚠ PELIGRO

Los artículos inflamables pueden arder si se colocan cerca del aparato.

Mantenga el área del electrodoméstico despejada y libre de materiales combustibles, envases de aerosol, gasolina y otros vapores y líquidos inflamables.

### ⚠ ADVERTENCIA

La instalación, uso, ajuste, alteración, servicio, modificación o mantenimiento inadecuados pueden causar daños a la propiedad, lesiones graves o la muerte. Consulte este manual.

- El uso de alcohol, medicamentos recetados o de venta libre puede afectar la capacidad del consumidor para ensamblar correctamente u operar de manera segura el electrodoméstico.
- Mantenga a los niños y las mascotas alejados del aparato en todo momento.
- Tenga a mano un extintor de incendios tipo BC o ABC.
- **NO LO USE** para fines distintos a los previstos.
- Sólo para uso doméstico en exteriores, no para uso comercial.
- **NO UTILICE** este aparato como calentador.



## CONFIGURACIÓN DE SU ESPACIO AL AIRE LIBRE

### ESTE APARATO SÓLO DEBE UTILIZARSE AL AIRE LIBRE SOBRE UNA SUPERFICIE NIVELADA.

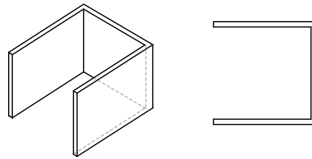
- NO USE este aparato dentro de edificios, garajes o cualquier otra área cerrada.
- NO INSTALE este aparato dentro o sobre un barco.
- NO INSTALE este aparato dentro o sobre un vehículo recreativo.

### ÁREAS AL AIRE LIBRE PROTEGIDAS:

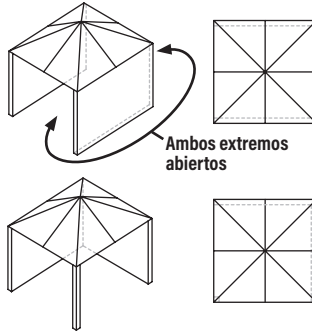
Todas las aberturas deben estar permanentemente abiertas; Las puertas correizas, las puertas de garaje, las ventanas o las aberturas con mosquitero NO SE consideran aberturas permanentes.

Se considera que un electrodoméstico está al aire libre si se instala con una protección que no exceda de:

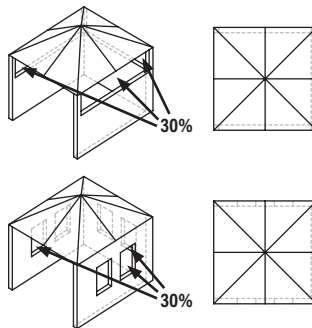
- a. Con paredes en tres lados, pero sin cubierta superior.



- b. Dentro de un recinto parcial que incluye una cubierta superior y no más de dos paredes laterales. Las paredes laterales pueden ser paralelas, como en un corredor, o en ángulo recto entre sí.



- c. Dentro de un recinto parcial que incluye una cubierta superior y tres paredes laterales, siempre que el 30% o más de la periferia horizontal del recinto esté permanentemente abierta.



### MANTENGA LAS DISTANCIAS ADECUADAS DEL MATERIAL COMBUSTIBLE:

- NO USE este electrodoméstico sobre o debajo de ningún apartamento o balcón o terraza de condominio.
- No obstruya el flujo de aire de combustión y ventilación.
- **SIN CUBIERTA:** NO OPERE este electrodoméstico a menos de 36 pulgadas (1 m) de los lados y la parte posterior del electrodoméstico a una construcción combustible.
- **CON CHAQUETA:** NO OPERE este electrodoméstico a menos de 6 pulgadas (150 mm) de los lados y la parte posterior del electrodoméstico a una construcción combustible vertical.

## SEGURIDAD DE LOS ELECTRODOMÉSTICOS

Este aparato es adecuado para uso en exteriores.

### PARA PROTEGERSE CONTRA DESCARGAS ELÉCTRICAS:

- No sumerja el cable ni los enchufes en agua u otro líquido.
- Desenchúfelo del tomacorriente cuando no esté en uso y antes de limpiarlo. Deje enfriar antes de poner o quitar piezas.
- El cable de alimentación debe examinarse periódicamente para detectar signos de daños y, si está dañado, NO SE debe utilizar el aparato.
- NO OPERE este electrodoméstico con un cable o enchufe dañado o después de que el electrodoméstico funcione mal o haya sido dañado de alguna manera. Póngase en contacto con el fabricante para su reparación.
- No deje que el cable cuelgue del borde de una mesa ni toque superficies calientes.
- Mantenga el cable de suministro eléctrico y la manguera de suministro de combustible alejados de superficies calientes.
- Al realizar la conexión, primero conecte el enchufe al aparato y luego al tomacorriente.

### EL APARATO DEBE CONECTARSE ÚNICAMENTE A UN TOMACORRIENTE QUE ESTÉ PROTEGIDO POR UN INTERRUPTOR DE CIRCUITO DE FALLA A TIERRA (GFCI).

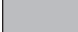

- Presione el botón TEST (luego el botón RESET) cada mes para asegurar un funcionamiento adecuado.
- El aparato debe conectarse a una toma de corriente con contacto a tierra.
- Este aparato, cuando esté instalado, debe estar conectado a tierra de acuerdo con los códigos locales o, en ausencia de códigos locales, con el Código Eléctrico Canadiense NFPA 70, Parte I.
- NO RETIRE el enchufe de conexión a tierra ni lo utilice con un adaptador de 2 clavijas.
- Utilice únicamente cables de extensión con un enchufe con conexión a tierra de 3 clavijas, clasificados para la potencia del equipo y aprobados para uso en exteriores con una marca W-A.



# INSTALACIÓN INTEGRADA

- Si su gabinete/estructura tiene componentes combustibles externos o internos (madera, plástico, etc.), su plancha DEBE usar una cubierta aislante.
- Si se instala debajo de una construcción combustible elevada, el aparato DEBE instalarse junto con una campana de ventilación de servicio pesado adecuada aprobada por UL710 o UIC S646.

## REQUISITOS DE LA CHAQUETA AISLANTE

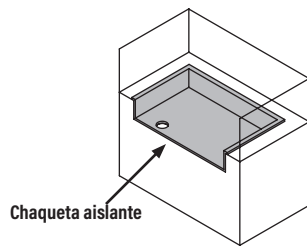
-  **NO** combustibles en esta área
-  Combustibles **BIEN** en esta área

### CON CHAQUETA

El gabinete/estructura puede estar fabricado con combustibles (Madera, plástico (PVC, HDPE), pintura a base de aceite, laca, etc.)

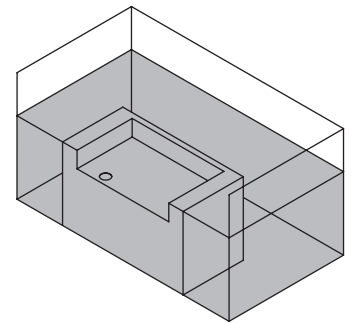
#### AVISO

La cubierta aislante debe estar fijada permanentemente al gabinete.



### SIN CHAQUETA

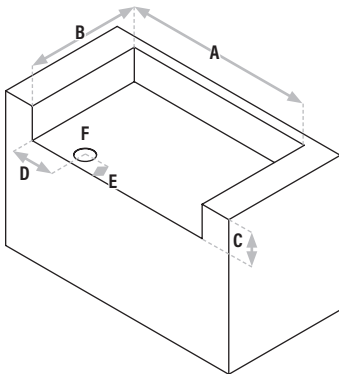
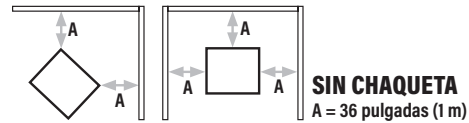
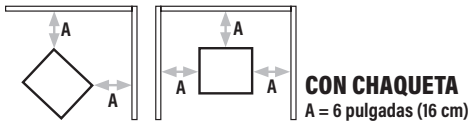
El gabinete/estructura DEBE estar fabricado ÚNICAMENTE con materiales NO combustibles (ladrillo, piedra, cemento, metal, vidrio, etc.)



ESPAÑOL

NO OPERE este electrodoméstico a menos de 6 pulgadas (150 mm) de los lados y la parte posterior del electrodoméstico a una construcción combustible vertical. (paredes/salpicaduras)

NO OPERE este electrodoméstico a menos de 36 pulgadas (1 m) de los lados y la parte posterior del electrodoméstico a una construcción combustible.

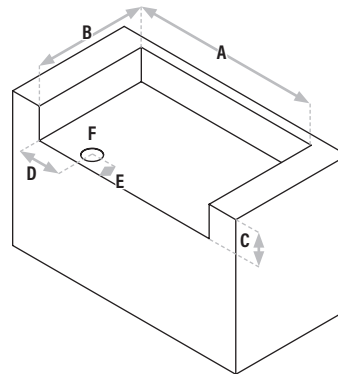


#### DIMENSIONES MÍNIMAS DE LA CAVIDAD

- A:** Ancho = 43.35 in (110.11 cm)
- B:** Profundidad = 26.09 in (66.27 cm)
- C:** Altura = 9.16 in (23.27 cm)  
(> interferirá con el capó)

#### DIMENSIONES MÍNIMAS DEL AGUJERO

- D:** De lado = 9.39 in (23.86 cm)
- E:** De frente = 5.05 in (12.83 cm)
- F:** Diámetro = 4.33 in (10.93 cm)



#### DIMENSIONES MÍNIMAS DE LA CAVIDAD

- A:** Ancho = 41.28 in (104.84cm)
- B:** Profundidad = 25.02 in (63.56 cm)
- C:** Altura = 7.59 in (19.28 cm)  
(> interferirá con el capó)

#### DIMENSIONES MÍNIMAS DEL AGUJERO

- D:** De lado = 8.35 in (21.21 cm)
- E:** De frente = 5.05 in (12.83 cm)
- F:** Diámetro = 4.33 in (10.93 cm)





# ATENCIÓN AL CLIENTE

## CONTACTA CON NOSOTROS

Para obtener ayuda sobre el uso del electrodoméstico, las piezas de repuesto o su garantía:

### ESTADOS UNIDOS Y CANADÁ

[BlackstoneProducts.com/support](http://BlackstoneProducts.com/support)

- Lunes - Viernes | 7:00 am - 5:00 pm (MST/MDT)
- Inglés y Español

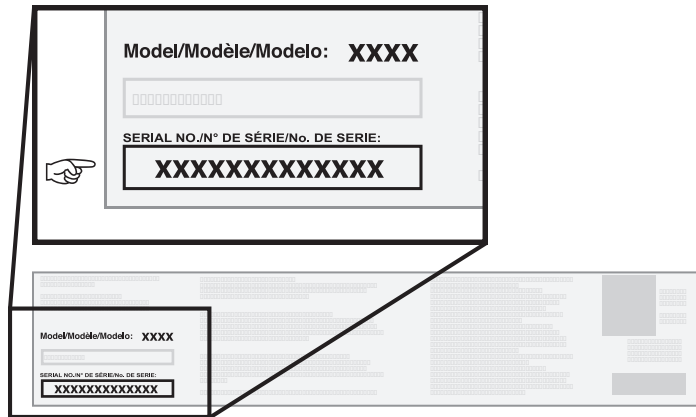
Comuníquese con nosotros antes de devolver este electrodoméstico a su distribuidor.

## UBICACIÓN DEL NÚMERO DE SERIE

Para habilitar su garantía, deberá proporcionar el número de serie de su electrodoméstico.

El número de serie se puede encontrar en la etiqueta del fabricante de su electrodoméstico.

(La etiqueta del fabricante es una etiqueta plateada grande que se encuentra en el cuerpo de su electrodoméstico).



## GARANTÍA DE UN AÑO

North Atlantic Imports, LLC garantiza este producto contra defectos de materiales y mano de obra por un período de un (1) año a partir de la fecha original de compra en condiciones de uso normal. En la medida en que se produzcan dichos defectos, North Atlantic Imports, LLC., a su discreción, proporcionará las piezas de repuesto adecuadas sin coste alguno.

En ningún caso North Atlantic Imports, LLC será responsable de los daños consecuentes, indirectos o incidentales que resulten de la instalación, el uso o la falla del producto.

Esta garantía NO cubre:

- Costos de inspección o mano de obra para el reemplazo de cualquier pieza defectuosa;
- Defectos cosméticos que no afectan el rendimiento o la integridad del producto;
- Uso y desgaste normal;
- Daños por vandalismo; actos de la naturaleza, incluidos, entre otros, viento, tormentas, granizo, inundaciones;
- Montaje, instalación o uso inadecuado;
- Decoloración o decoloración del acabado como resultado de la exposición a productos químicos, derrames, piscina o agua salada;
- Corrosión/óxido.

Este producto ha sido diseñado para brindar seguridad y calidad. Cualquier modificación realizada al producto original podría comprometer su integridad estructural o su función y podría provocar fallas en el producto o lesiones personales. Como tal, modificar este producto anula todas las garantías.

Este producto es SOLO PARA USO RESIDENCIAL y no para fines comerciales, contractuales ni otros fines no residenciales. North Atlantic Imports, LLC renuncia a todas las demás representaciones y garantías de cualquier tipo, expresas o implícitas.

La garantía se aplica al comprador original y no es transferible. NO SE aplica a accesorios o piezas que NO SE suministran con el producto, a compras de modelos de exhibición ni a productos que se venden en liquidación o "tal cual". Sin embargo, es posible que tenga otros derechos legales específicos según las leyes de su estado o país de residencia específico.

Para activar su garantía, registre su producto en

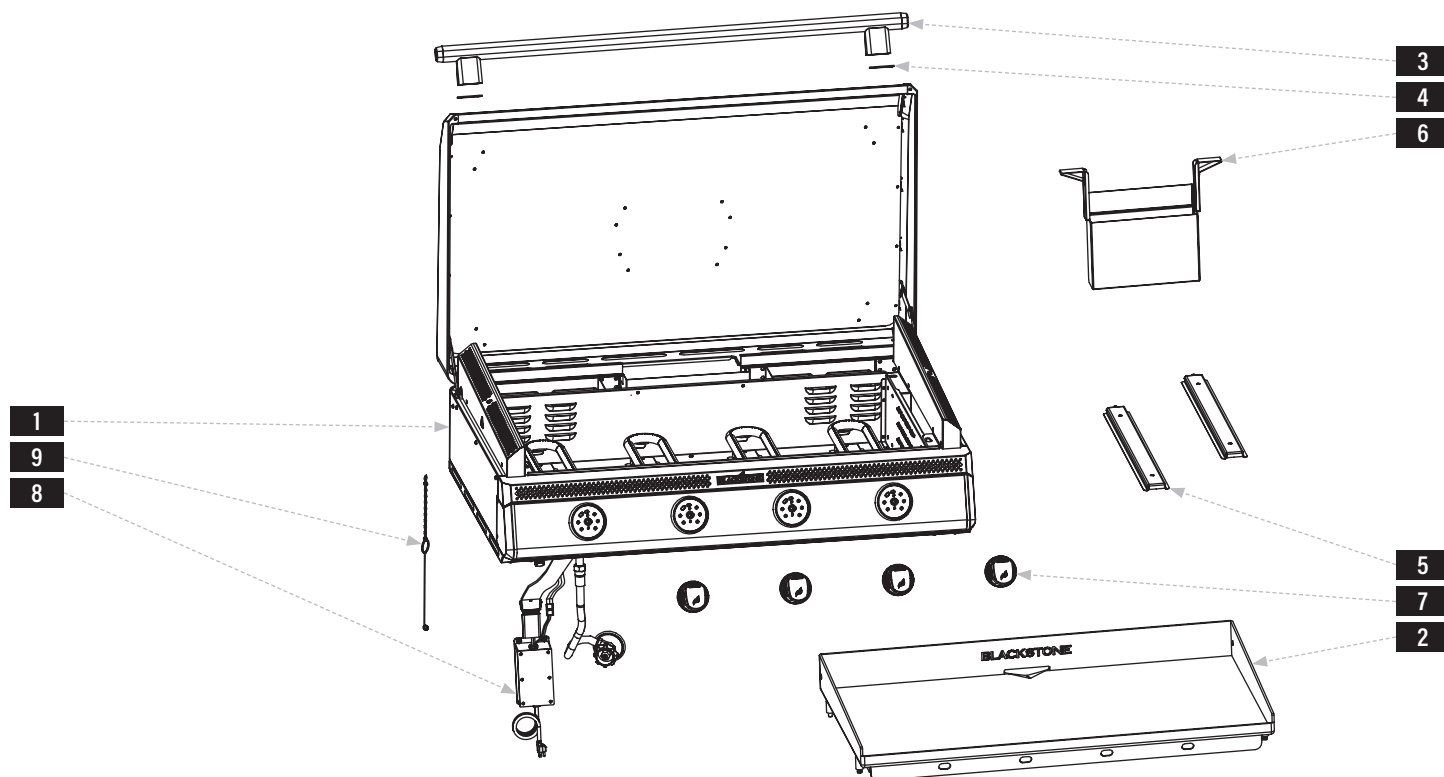
[BlackstoneProducts.com/register](http://BlackstoneProducts.com/register)

North Atlantic Imports, LLC se reserva el derecho de cambiar o modificar esta garantía en cualquier momento.

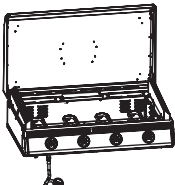
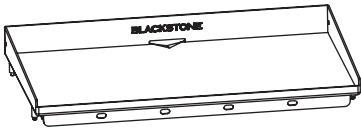
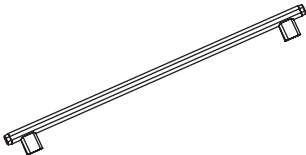
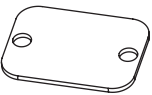
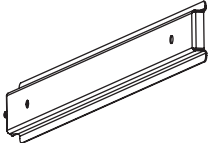
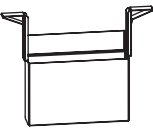

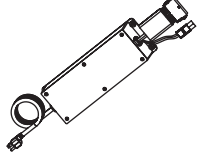

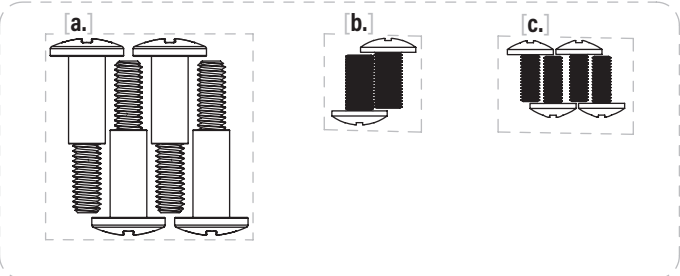


# GUÍA DE MONTAJE

## VISTA EN DESPIECE ORDENADO



### LISTA DE PARTES

<p><b>1</b> Cuerpo de plancha (1 pieza)</p> 	<p><b>2</b> Plancha superior (1 pieza)</p> 	<p><b>3</b> Asa de capota (1 pieza)</p> 			
<p><b>4</b> Arandelas de mica (2 piezas)</p> 	<p><b>5</b> Canales de sombrero (2 piezas)</p> 	<p><b>6</b> Copa de grasa (1 pieza)</p> 	<p><b>7</b> Perillas de control (4 piezas)</p> 	<p><b>8</b> Caja de PCB (1 pieza)</p> 	<p><b>9</b> Portacerillas (1 pieza)</p> 
<p><b>10</b> Paquete de hardware (1 pieza)</p> <p>a. Pernos de hombro M6 (4 piezas)</p> <p>b. Tornillos M5x10 (2 piezas)</p> <p>c. Tornillos M4x10 (4 piezas)</p>					



# INSTRUCCIONES DE MONTAJE

Encuentre un área grande y limpia para ensamblar su electrodoméstico.  
Retire todo el material de embalaje antes de ensamblar.

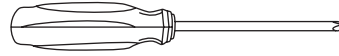
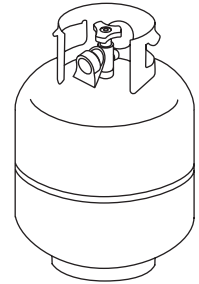
## ⚠ ATENCIÓN

Bordes afilados. Use guantes durante el montaje.

## ⚠ ATENCIÓN

Piezas pesadas. Dos personas deben armar este aparato.

Tiempo de montaje: 1~2 horas



### HERRAMIENTA NECESARIA:

Destornillador de cabeza Phillips n.º 3

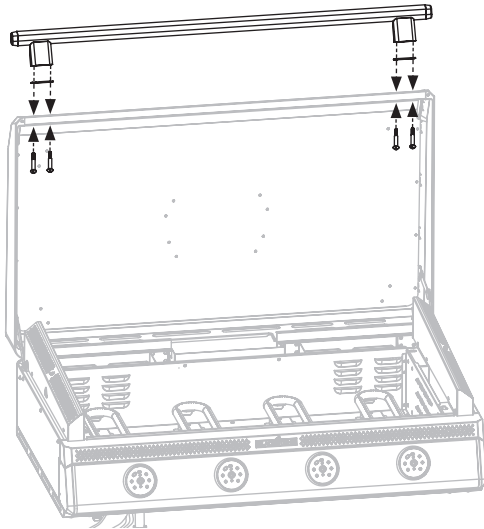
### NO INCLUIDO:

Cilindro de GLP

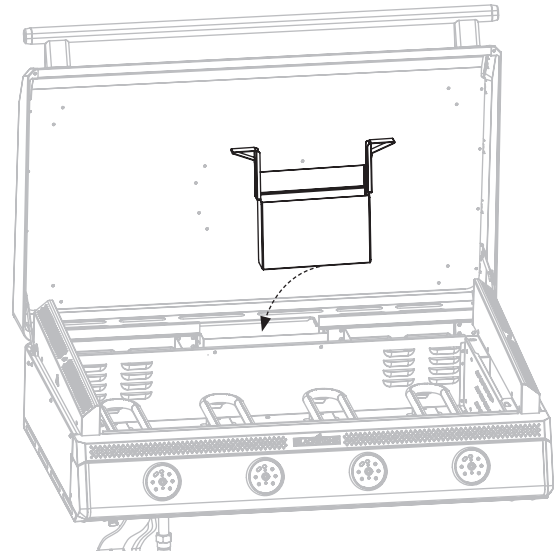
Tamaño: 45 x 30 cm (18 x 12 pulgadas),  
9 kg (20 libras)

El cilindro de GLP debe incluir un collar para proteger la válvula del cilindro de GLP.

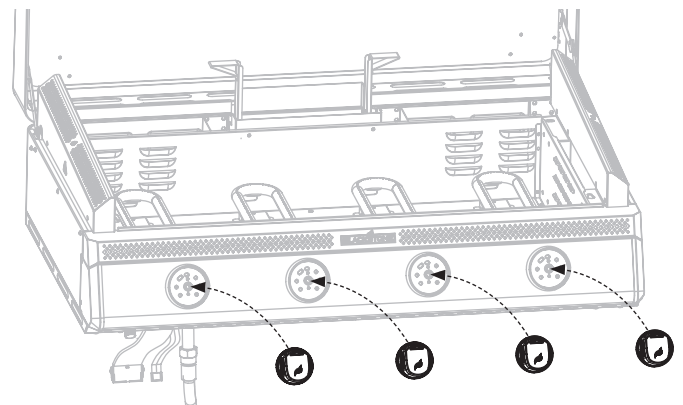
**PASO 01** Use cuatro (4) pernos con reborde M6 [a.] para sujetar la manija y el separador de la manija de la campana y dos (2) arandelas de mica al frente de la campana.



**PASO 02** Deslice la taza de grasa en el soporte en la parte posterior del cuerpo de la plancha.



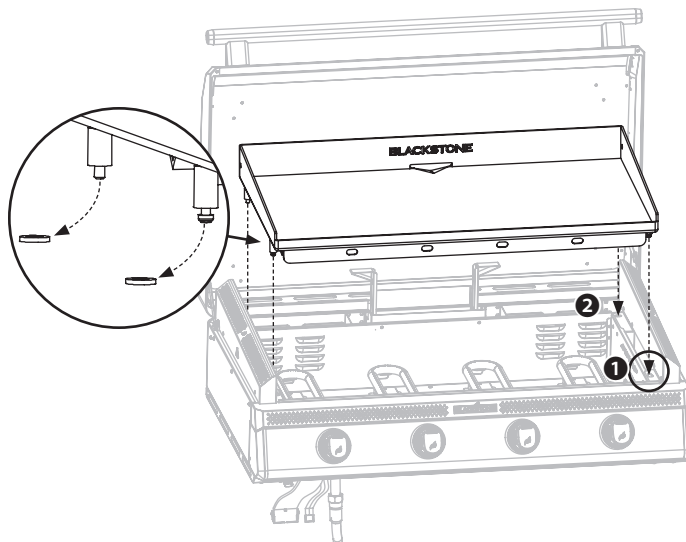
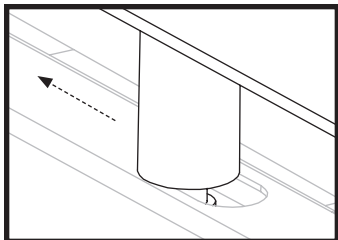
**PASO 03** Instale las cuatro (4) perillas de control empujándolas en su lugar en la posición APAGADO.





**PASO 04** Retire las cuatro (4) arandelas protectoras de los pasadores de las patas de la plancha. **Con la ayuda de otra persona**, coloque la parte superior de la plancha sobre el cuerpo de la plancha alineando los pasadores de las cuatro patas con los orificios en la parte superior de la unidad.

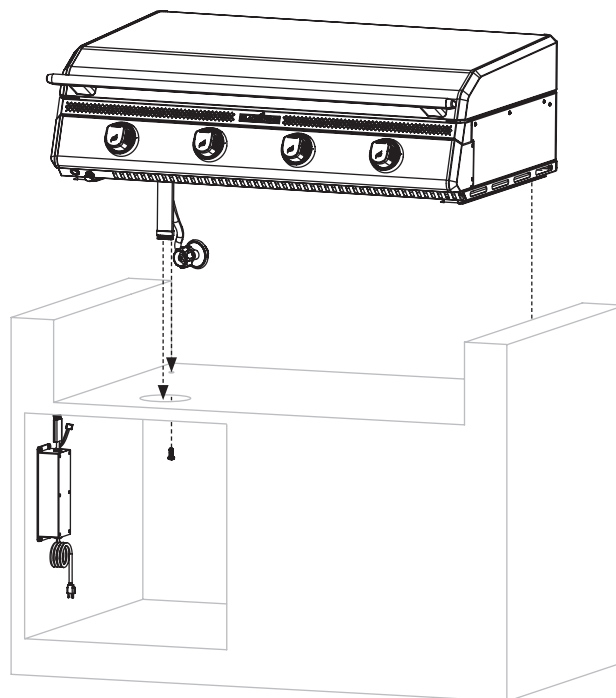
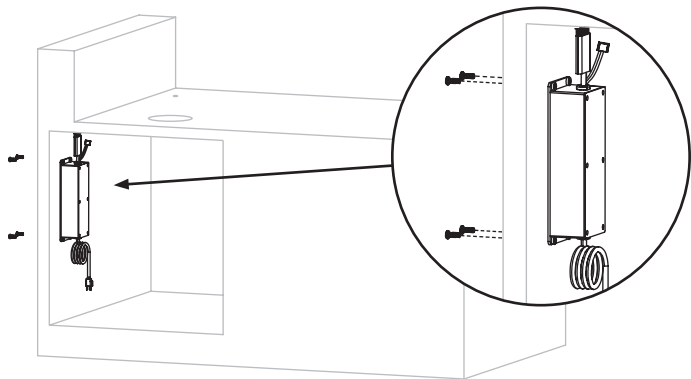
- 1 Coloque los dos pasadores delanteros en los orificios de bloqueo delanteros y empuje la parte superior de la parrilla hacia atrás.
- 2 Luego, coloque los dos pasadores traseros en los orificios traseros.



**PASO 05** Utilice cuatro (4) tornillos M4x10 [c.] para fijar la caja de PCB al panel lateral izquierdo de su gabinete.

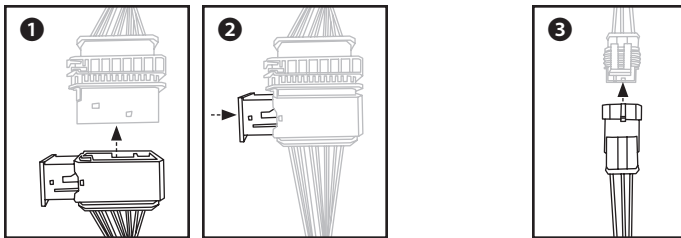
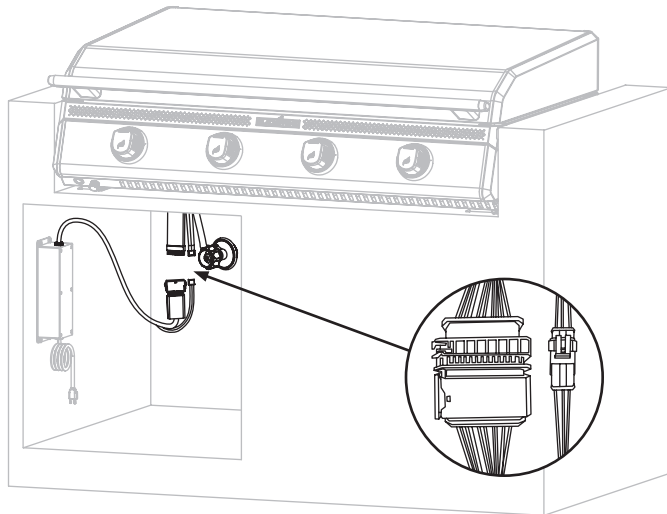
**PASO 06** **Con la ayuda de otra persona**, dirija la manguera del regulador y los cables eléctricos a través del orificio del gabinete y coloque el cuerpo de la plancha encima del gabinete.

Utilice dos (2) tornillos M5x10 [b.] para fijar el cuerpo de la plancha a su gabinete.

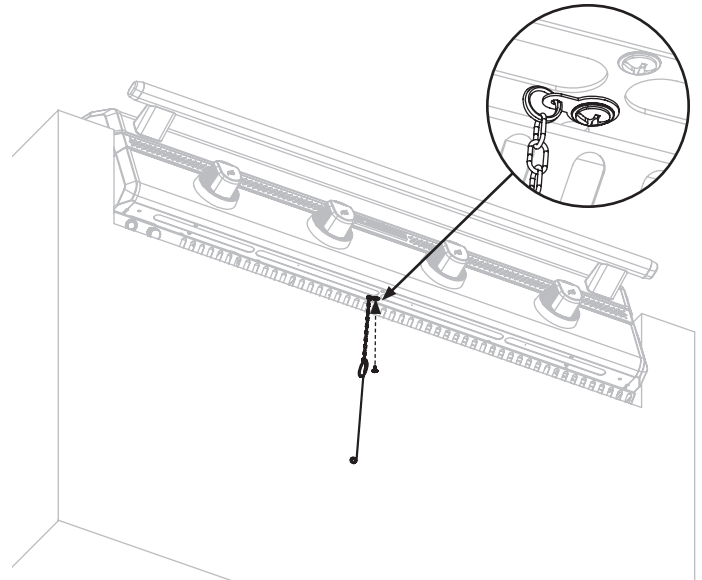




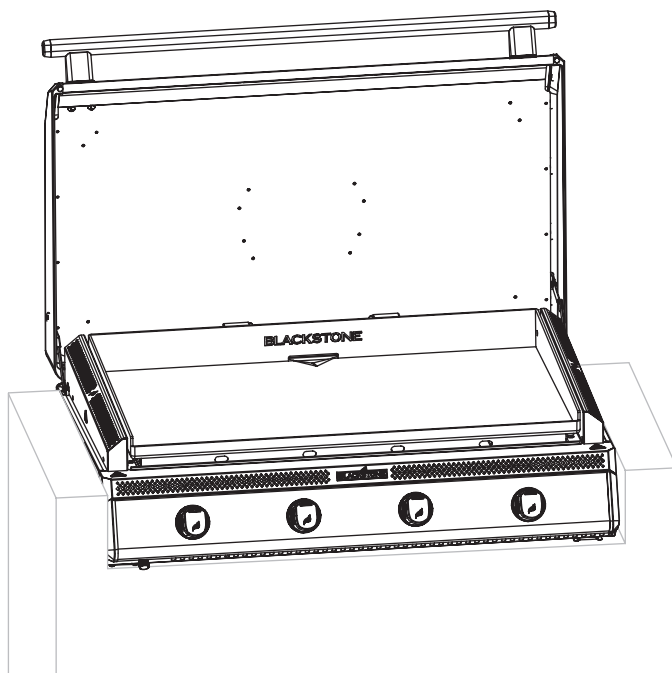
- PASO 07**
- 1 Empuje el conector macho y hembra 18P juntos.
  - 2 Presione el clip amarillo para bloquear el conector.
  - 3 Empuje el conector 3P macho y hembra juntos.



- PASO 08** Retire el tornillo autorroscante del cuerpo de la plancha y utilícelo para fijar el soporte para fósforos.



- PASO 09** Continúe con **USANDO SU BLACKSTONE.**



**⚠ ATENCIÓN**

Aparato caliente. La cubierta/tapa/capota DEBE estar abierta cuando el aparato esté en uso.



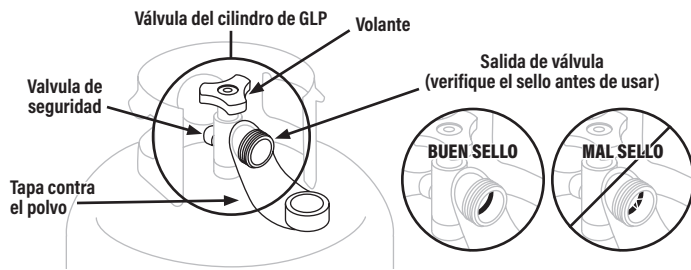
# USANDO SU BLACKSTONE

## REQUISITOS DEL CILINDRO DE GLP PARA CILINDROS DE 20 LB (9 KG)

- El cilindro de suministro de GLP que se utilizará debe estar construido y marcado de acuerdo con las especificaciones para cilindros de gas LP, Departamento de Transporte de EE. UU. (DOT) o la Norma para cilindros, esferas y tubos para el transporte de mercancías peligrosas, CAN/CSA-B339.
- Sólo se utilizarán cilindros de GLP marcados como "propano".

### LA VÁLVULA DEL CILINDRO DE GLP DEBE TENER:

- Salida de válvula tipo 1 (rosca en el exterior).
- Válvula de seguridad.
- Dispositivo de protección contra sobrellenado (OPD) listado por UL. Esta característica de seguridad OPD se identifica por un volante triangular exclusivo.
- Tapa contra el polvo.



El sello en la salida de la válvula podría, con el tiempo, presentar daños o deterioros marcados y visibles que podrían causar una fuga incluso con la conexión apretada.

- Se debe realizar una inspección visual del sello cada vez que se reemplaza o rellena un cilindro de GLP.
- Cualquier cilindro de GLP que muestre signos de daño o deterioro como los ilustrados, incluidas grietas y picaduras visibles, debe devolverse sin usar al vendedor.

## ACCESORIOS Y MANGUERAS

Antes de la conexión y el uso, asegúrese de que no haya residuos atrapados o dañados en el cabezal del cilindro de gas, el regulador, la manguera, el quemador y los puertos del quemador.

- Se recomienda comprobar y apretar anualmente los accesorios metálicos.
- Evite torcer el tubo flexible cuando el aparato esté en uso.
- Asegúrese de que la manguera no esté obstruida, doblada o en contacto con ninguna parte del aparato que no sea su conexión.
- Antes de cada uso, verifique si las mangueras están cortadas o desgastadas. (La manguera desgastada o dañada debe reemplazarse antes de usar el aparato).

(Utilice únicamente válvula, manguera o regulador aprobados por Blackstone. El incumplimiento anulará la garantía).

- El sistema de suministro de cilindros de GLP debe estar preparado para la extracción de vapores.
  - Mantenga siempre los cilindros nuevos de GLP en posición vertical durante su uso, transporte o almacenamiento.
  - Mantenga siempre las aberturas de ventilación del recinto del cilindro libres y libres de residuos.

Si gotea grasa u otro material caliente sobre la válvula, manguera o regulador:

**PASO 01** Cierre el suministro de gas inmediatamente.

**PASO 02** Determine la causa y corríjala.

**PASO 03** Limpie e inspeccione la válvula, la manguera y el regulador.

**PASO 04** Realice una prueba de fugas.

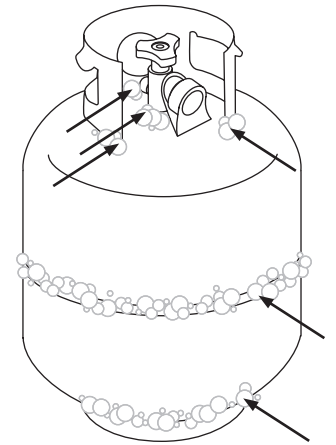
## INSTRUCCIONES DE PRUEBA DE FUGAS

- Haga una prueba de fugas en los cilindros de GLP nuevos y reemplazados ANTES de conectarlos al electrodoméstico.
- No fume durante la prueba de fugas.
- NO UTILICE una llama abierta para comprobar si hay fugas de gas.
- El aparato debe someterse a una prueba de fugas al aire libre en un área bien ventilada, lejos de fuentes de ignición como aparatos eléctricos o de gas.
- Durante la prueba de fugas, mantenga el aparato alejado de llamas abiertas o chispas.

### PRUEBA DE FUGAS: CILINDRO DE GLP

**PASO 01** Utilice un pincel limpio para aplicar una solución de agua y jabón suave 10% en las áreas de unión del cilindro de GLP.

Las fugas se indican mediante burbujas en crecimiento.



### ⚠ ADVERTENCIA

Si aparecen burbujas crecientes durante la prueba de fuga, no use ni mueva el cilindro de GLP. Comuníquese inmediatamente con un proveedor de GLP o con el departamento de bomberos.

### PRUEBA DE FUGAS: VÁLVULAS, MANGUERAS Y REGULADOR

**PASO 01** Gire las perillas de control a APAGADO.

**PASO 02** Conecte el regulador al cilindro de GLP.

**PASO 03** Abra completamente el tanque de GLP girando el volante en sentido antihorario.

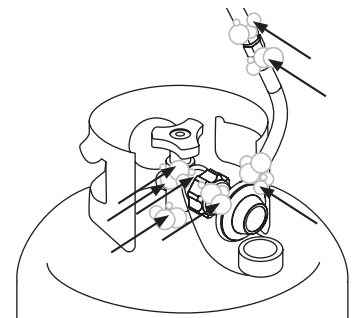
Si escucha un sonido rápido, cierre el gas inmediatamente. Hay una fuga importante en la conexión.

**PASO 04** Cierre inmediatamente el cilindro de GLP girando el volante en el sentido de las agujas del reloj y vuelva a apretar las conexiones. Si NO SE pueden detener las fugas, NO INTENTE REPARARLAS.

**PASO 05** Utilice un pincel limpio para aplicar una solución de agua y jabón suave 10% en las áreas de unión de las válvulas y el regulador.

Las fugas se indican mediante burbujas en crecimiento.

**PASO 06** Cierre inmediatamente el cilindro de GLP girando el volante en el sentido de las agujas del reloj y vuelva a apretar las conexiones.



### ⚠ ADVERTENCIA

Si NO SE pueden detener las fugas, NO INTENTE repararlas. El regulador debe ser reemplazado por un modelo aprobado por Blackstone por un distribuidor autorizado y con licencia profesional.



## SEGURIDAD DEL REGULADOR

- Utilice este electrodoméstico, tal como lo compró, únicamente con el conjunto de gas y regulador/válvula suministrado. NO UTILICE accesorios de conexión rápida ni otros complementos.
- NO enrosque (fuerce en un ángulo inadecuado) la conexión entre su cilindro de GLP y el regulador.
- Si no puede conectar el regulador, no utilice el regulador.

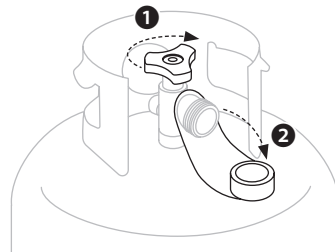
El regulador debe ser reemplazado por un modelo aprobado por Blackstone por un distribuidor autorizado y con licencia profesional.

## CONECTAR EL CILINDRO DE GLP

### UTILICE ÚNICAMENTE UN CILINDRO DE 20 LB (9 KG)

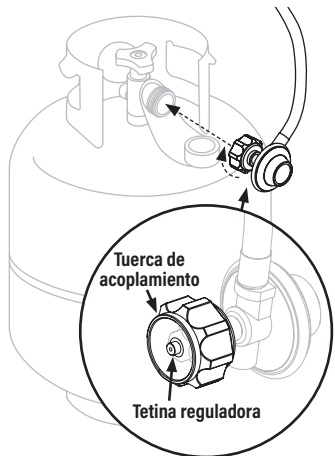
**PASO 01** Gire las perillas de control a APAGADO.

- 1 Asegúrese de que el cilindro de GLP esté APAGADO girando el volante en el sentido de las agujas del reloj hasta detenerlo por completo.
- 2 Retire la tapa de seguridad de la salida de la válvula.



**PASO 02** Mantenga el regulador en línea recta con la salida de la válvula para no cruzar la rosca de la conexión. Centre e inserte la boquilla del regulador en la salida de la válvula.

Apriete manualmente la tuerca de acoplamiento en el sentido de las agujas del reloj. (NO UTILICE herramientas para conectarse). Si NO SE puede completar la conexión, desconecte el regulador y repita este paso.



**PASO 03** La válvula de alivio de seguridad debe mirar en dirección opuesta al usuario mientras el aparato está en uso.

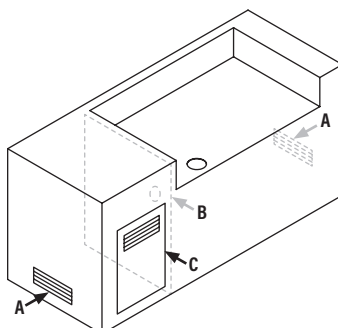
Coloque el cilindro de GLP en el gabinete de propano.



Utilice un sistema de retención de cilindros de GLP para evitar que el cilindro se vuelque. El gabinete NO PUEDE almacenar 2 o más cilindros de gas.

### CONSTRUCCIÓN DEL RECINTO DEL CILINDRO DE GLP

- A:** Ventilaciones de 10 x 15 cm (4 x 6 pulgadas) en la parte inferior y en ambos lados del gabinete.
- B:** Pared plenum para separar el compartimiento del cilindro de GLP.
- C:** Puerta de acceso a bombonas de GLP.



## LLENADO E INTERCAMBIO

- Utilice únicamente aquellas empresas de intercambio acreditadas que inspeccionan, llenan con precisión, prueban y certifican sus cilindros. El distribuidor de GLP debe purgar el cilindro nuevo antes de llenarlo.
- Para eliminar el gas del cilindro de GLP, comuníquese con un distribuidor certificado de GLP o con el departamento de bomberos local para obtener ayuda.
- No libere gas licuado de petróleo (GLP) a la atmósfera.

Su distribuidor puede ayudarle a combinar un cilindro de GLP de repuesto con su electrodoméstico.

El volumen de propano en el cilindro variará según la temperatura.

### ⚠ ADVERTENCIA

Un regulador helado indica sobrellenado de gas. Cierre inmediatamente la válvula del cilindro de GLP y llame al distribuidor local de GLP para obtener ayuda.

- Cambie el cilindro solo por un cilindro equipado con función de seguridad OPD.

## ALMACENAMIENTO DE CILINDROS DE GLP

### ⚠ ADVERTENCIA

• No guarde un cilindro de GLP de repuesto debajo, cerca o dentro de este aparato.  
• No llene un cilindro de GLP más del 80% de su capacidad. Si NO SE sigue exactamente la información anterior, puede producirse un incendio que cause la muerte o lesiones graves.

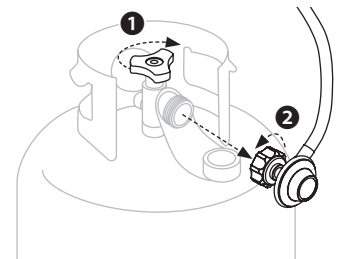
- El cilindro de GLP debe estar APAGADO cuando el aparato no esté en uso.
- Los cilindros de GLP deben almacenarse al aire libre y fuera del alcance de los niños.
- No almacene un cilindro de GLP dentro de un edificio, garaje o en cualquier otro área cerrada.
- No almacene un cilindro de GLP donde las temperaturas puedan alcanzar más de 122°F (50°C).

## DESCONEXIÓN DEL CILINDRO DE GLP

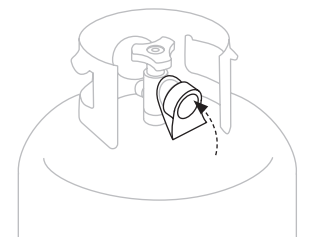
El almacenamiento del aparato en interiores solo está permitido si el cilindro de GLP está desconectado y retirado del aparato.

**PASO 01** Asegúrese de que las perillas de control estén en APAGADO.

- 1 Asegúrese de que el cilindro de GLP esté APAGADO girando el volante en el sentido de las agujas del reloj hasta detenerlo por completo.
- 2 Gire la tuerca de acoplamiento con la mano en el sentido contrario a las agujas del reloj para quitar el regulador. (NO UTILICE herramientas para desconectar).



**PASO 02** Coloque la tapa antipolvo en la salida de la válvula del cilindro de GLP cuando el cilindro no esté en uso. Instale únicamente el tipo de tapa antipolvo en la salida de la válvula del cilindro que se proporciona con la válvula del cilindro. Otros tipos de tapas o tapones pueden provocar fugas de propano.



# INSTRUCCIONES DE ENCENDIDO

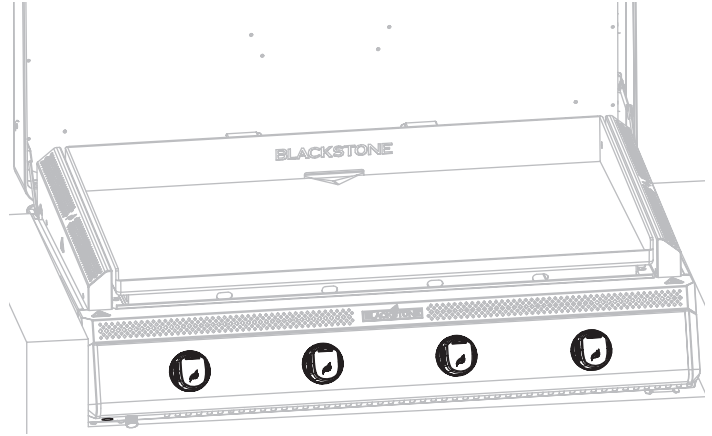
## 1. VÁLVULAS DE RETENCIÓN

⚠ Asegúrese de que el gas esté cerrado en la válvula de cierre del suministro antes de revisar las válvulas del aparato.

**PASO 01** Gire todas las perillas a la posición ❶ de apagado.

**PASO 02** Empuje la perilla y suelte. La perilla debe retroceder. Si las perillas no retroceden, reemplace el ensamblaje de la válvula antes de usar el aparato.

**PASO 03** Gire la perilla a BAJO y luego vuelva a APAGADO. La perilla debe girar suavemente.

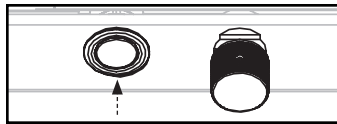


## 2. ENCENDIDO ELÉCTRICO

⚠ NO SE incline sobre el aparato mientras lo enciende. Asegúrese de que el aparato esté enchufado.

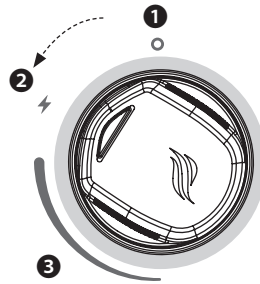
**PASO 01** Pulse el botón de ENCENDIDO.

(Opcional: gire el atenuador hasta que haga clic para apagar las luces del charco).



**PASO 02**

- ❶ Presione la perilla de control para que comience a fluir el gas. (BLANCO)
- ❷ Gire la perilla de control en sentido antihorario para activar el motor de arranque. (AZUL PARPADEANTE)
- ❸ Verifique la llama y ajuste la temperatura al nivel deseado. (NARANJA)

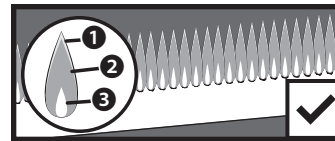


**Nota:** Si el imán de la perilla está desconectado, la luz indicadora será de color naranja. Si la flecha de la perilla mira hacia ARRIBA, el gas no fluye. NO RETIRE el panel de control si surgen problemas. Póngase en contacto con atención al cliente.

## 3. SIEMPRE REVISE LA LLAMA DEL QUEMADOR ANTES DE USARLO.

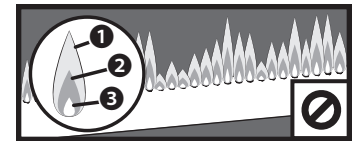
Encienda los quemadores y mire debajo de la superficie de cocción para ver los quemadores. Cuando la perilla está en ALTO, las llamas deben ser más grandes que cuando la perilla está en BAJA.

### PATRÓN DE LLAMA SALUDABLE



- ❶ Párpadeos amarillos.
- ❷ Azul oscuro.
- ❸ Azul vibrante.

### AMARILLO O IRREGULAR



Si las llamas son amarillas o irregulares, consulte el capítulo Solución de problemas.

### ⚠ ADVERTENCIA

Si el quemador NO SE enciende con la válvula de suministro de gas abierta, el gas seguirá saliendo del quemador y podría encenderse accidental o inadvertidamente con riesgo de lesiones.

**Si el encendido no ocurre en 5 segundos:**

1. Apague la perilla de control del quemador.
2. Espere 5 minutos.
3. Repita el procedimiento de iluminación.

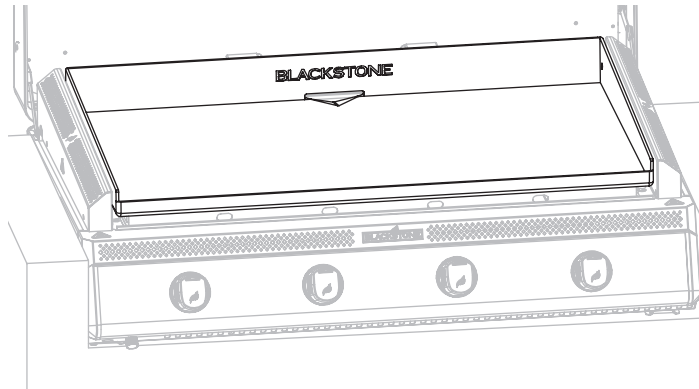
Si el quemador NO SE enciende, consulte el capítulo Solución de problemas.

ESPAÑOL





# INSTRUCCIONES PARA SAZONAR LA PLANCHA



## LAVADO DE LA PARTE SUPERIOR DE LA PLANCHA ANTES DEL PRIMER USO

**AVISO**  
El jabón arruinará una plancha experimentada. Esta es la única vez que debe usar jabón en la superficie de cocción de la plancha.

**PASO 01** Lave la superficie de cocción de la plancha con agua caliente y jabón.

**PASO 02** Enjuague y seque completamente.

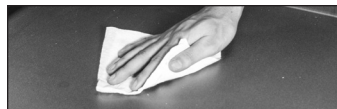
## CONDIMENTAR TU PLANCHA



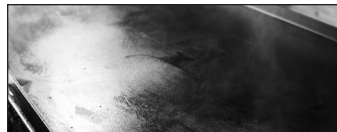
### VIDEOTUTORIAL

Cómo sazonar una nueva plancha Blackstone  
[youtube.com/watch?v=VspmDVnj2pl&t=3s](https://www.youtube.com/watch?v=VspmDVnj2pl&t=3s)

**PASO 01** Limpie cualquier residuo de la parte superior de la plancha.

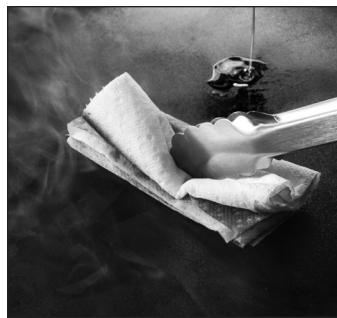


**PASO 02** Configura tu plancha a fuego alto hasta que la parte superior de la plancha cambie de color. (~10 minutos)

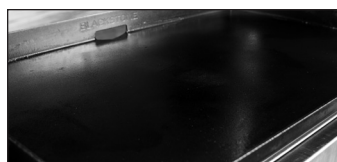


**PASO 03** Use pinzas para sostener una toalla de papel o un paño de algodón y extienda 2-3 cucharadas de su aceite de condimento en toda la parte superior de la plancha.

Cuando sazone la parte superior de su plancha, recuerde usar una capa delgada y uniforme de aceite: cuanto más delgada sea la capa de aceite, más fácil será quemarla.



**PASO 04** La parte superior de la plancha está lista para otra capa de aceite cuando deja de humear. Repita el PASO 03 3-4 veces, o hasta que la superficie de la plancha esté negra.



### AVISO

No guarde ningún artículo a menos de 8 cm (3 pulgadas) de la parte superior de la plancha mientras esté en uso.

### ¿QUÉ ACEITE ES MEJOR USAR?

- Blackstone Seasoning and Cast Iron Conditioner.
- Cualquier aceite de cocina de origen vegetal.
- Grasa animal fundida sin aditivos.



### ATENCIÓN

Deseche adecuadamente los trapos/toallas utilizados para esparcir el aceite sobre la plancha para evitar incendios que puedan ocurrir debido a la combustión espontánea.

En las condiciones adecuadas, el aceite residual en trapos o toallas puede oxidarse mucho después de haber sido retirado de una fuente de calor. El proceso de oxidación en sí produce calor que, si NO SE disipa, puede acumularse y causar que los trapos/toallas y el material circundante se enciendan.

## SOLUCIÓN DE PROBLEMAS DE CONDIMENTOS

### HAY UN RESIDUO MARRÓN EN LA SUPERFICIE DE LA PLANCHA:

#### POSIBLES CAUSAS

- Se usó demasiado aceite.
- Apagaste la calefacción demasiado pronto.

#### SOLUCIÓN

**PASO 01** Encienda su plancha a temperatura alta y déjela calentar durante 10-15 minutos.

**PASO 02** Raspe la mayor cantidad de aceite espesado y parcialmente cocido que pueda.

**PASO 03** Vuelva a sazonar con una capa muy fina de aceite.

### LOS BORDES DE LA SUPERFICIE DE LA PLANCHA NO SON NEGROS:

Después de usar su plancha para cocinar varias veces, el condimento se nivelará y mejorará.

## PREVENCIÓN DEL ÓXIDO

Use su plancha con frecuencia. Cada vez que cocina, está agregando condimentos, lo que hace que la oxidación sea menos probable.

### AVISO

Si vive en un clima húmedo o costero, su plancha puede requerir curaciones más frecuentes entre usos.

Si aparece óxido en la superficie de la plancha, frótelo con lana de acero, papel de lija de grano bajo o **Blackstone Pumice Stone** y vuelva a secar la superficie.



### VIDEOTUTORIAL

Recuperación de la tapa de su plancha Blackstone  
[youtube.com/watch?v=thPE2lgnSil](https://www.youtube.com/watch?v=thPE2lgnSil)



# COCINAR EN TU BLACKSTONE

## ⚠️ ATENCIÓN

Este aparato estará caliente durante y después de su uso. Utilice utensilios de mango largo y guantes de cocina/guantes protectores cuando manipule piezas potencialmente calientes, incluidas las manijas cercanas al cuerpo del aparato, para protegerse contra quemaduras y salpicaduras.

LA TEMPERATURA AMBIENTE MÍNIMA DE FUNCIONAMIENTO ES 0°F (-18°C).

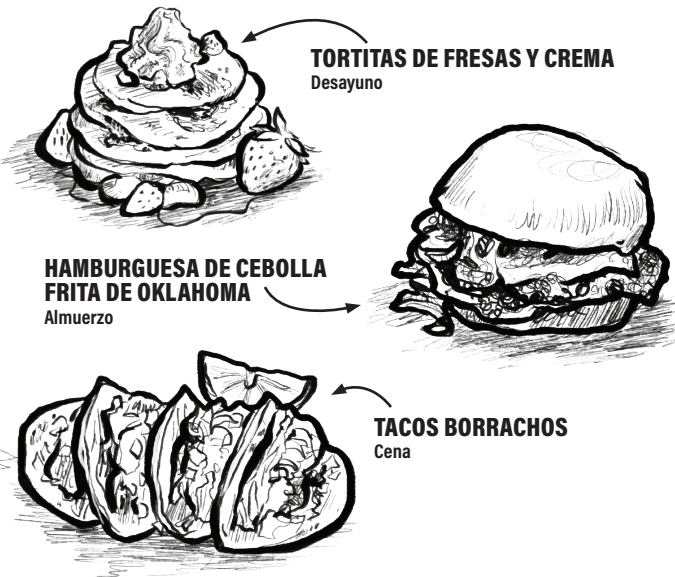
## VÍDEO RECETAS

Encuentre recetas y consejos de cocina en:

[BlackstoneProducts.com/recipes](https://www.blackstoneproducts.com/recipes)

[youtube.com/BlackstoneGriddles](https://www.youtube.com/BlackstoneGriddles)

[@blackstoneproducts](https://www.facebook.com/blackstoneproducts)



## LIMPIEZA DE LA PARTE SUPERIOR DE SU PLANCHA

Limpie la parte superior de la plancha después de cada uso, mientras aún esté caliente.

- NO USE jabón en la parte superior de la plancha. Esto destruirá el condimento de la plancha.



### VIDEOTUTORIAL

HCómo limpiar su plancha Blackstone

[youtube.com/watch?v=-ledu9z6NPY](https://www.youtube.com/watch?v=-ledu9z6NPY)

**PASO 01** Empuje los restos de comida sueltos en el recipiente para la grasa con una espátula o un raspador de metal recto.



**PASO 02** Limpie la parte superior de la plancha con una toalla de papel o un estropajo Blackstone.



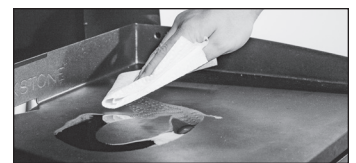
**PASO 03** Aplique unas cuantas cucharadas de agua a la superficie de la plancha, luego raspe el agua y los residuos en el recipiente para la grasa. (Para los residuos de comida pegados, use un poco de sal gruesa).



**PASO 04** Limpie nuevamente con una toalla de papel y seque completamente.



**PASO 05** Aplique una fina capa de aceite de cocina para mantener la sazón y proteger la parte superior de la plancha.



## VACÍA TU VASO DE GRASA

El recipiente para la grasa debe retirarse y vaciarse después de cada uso.

**Nota:** Asegurarse de que la plancha esté en un terreno nivelado permitirá que la grasa y el agua se escurran hacia el corte de grasa trasero.

## ⚠️ ATENCIÓN

La taza de grasa estará caliente durante y después del uso. NO RETIRE la taza de grasa hasta que la plancha se haya enfriado por completo.



## CUIDADO Y MANTENIMIENTO

### ⚠️ ADVERTENCIA

La acumulación de grasa puede provocar un incendio. Limpie cualquier parte del aparato que se caliente y experimente acumulación de grasa después de cada uso.

### ⚠️ ATENCIÓN

Toda la limpieza y el mantenimiento deben llevarse a cabo cuando el aparato esté frío y todo esté APAGADO.

- NO USE una almohadilla abrasiva en áreas con gráficos.
- Si se usa un cepillo de cerdas para limpiar cualquiera de las superficies de cocción, asegúrese de que no queden cerdas sueltas en las superficies de cocción antes de cocinar.

### CUERPO DEL APARATO:

Lave con agua jabonosa tibia y seque inmediatamente con un paño no abrasivo. (No permita que los agentes de limpieza descansen sobre ninguna superficie porosa durante un período de tiempo prolongado).

### AVISO

NO UTILICE Citrisol, limpiadores abrasivos o un limpiador concentrado en el aparato. Esto puede resultar en daños y fallas en las piezas.

## ALMACENAMIENTO DE ELECTRODOMÉSTICOS

### ⚠️ ADVERTENCIA

No mueva el aparato cuando esté en uso. Deje que el aparato se enfríe a 115°F (45°C) antes de moverlo o almacenarlo.

Siempre cubra su electrodoméstico cuando lo guarde al aire libre.



### ENCUENTRA MI PORTADA

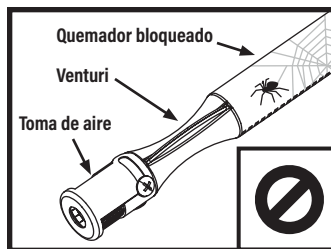
BlackstoneProducts.com

- Cubiertas
- Llevar bolsas

## LIMPIEZA DEL CONJUNTO DEL QUEMADOR

Las arañas y los insectos pueden anidar dentro y obstruir el quemador/tubo venturi en el orificio.

Para reducir la posibilidad de "retroceso de llama", se debe seguir el procedimiento a continuación al menos una vez al mes cuando las arañas están más activas o cuando su electrodoméstico NO SE ha utilizado durante un período de tiempo.



### ⚠️ ADVERTENCIA

Un quemador obstruido puede provocar un incendio debajo del aparato.

El quemador debe retirarse y limpiarse siempre que se encuentren obstrucciones.



### VIDEOTUTORIAL

Cómo limpiar el tubo de su quemador  
[youtube.com/watch?v=xKQTCrFCzf8](https://www.youtube.com/watch?v=xKQTCrFCzf8)

**PASO 01** Asegúrese de que el gas esté CERRADO en las perillas de control y el suministro de gas. Retire la parte superior de la plancha.

**PASO 02** Separe y retire con cuidado el quemador.



**PASO 03** Limpiar el interior del quemador:

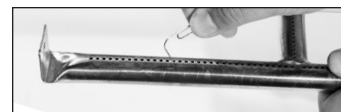
- Pase un cepillo estrecho para botellas a través del quemador varias veces. (NO use cepillos de alambre)
- Utilice aire comprimido para apagar el quemador. (Use protección para los ojos)



**PASO 04** Cepille toda la superficie exterior del quemador para eliminar la suciedad.



**PASO 05** Limpie los puertos bloqueados con un alambre rígido, como un sujetapapeles abierto.



**PASO 06** Vuelva a colocar con cuidado los quemadores y vuelva a colocarlos, prestando atención a la ubicación de la aguja de encendido.

⚠️ La boquilla de combustible del riel de gas debe volver a conectarse dentro de la abertura del quemador.



# SOLUCIÓN DE PROBLEMAS

## SOLUCIÓN DE PROBLEMAS DE ENCENDIDO

### EL QUEMADOR NO SE ENCIENDE:

Si NO SE enciende en 5 segundos:

**PASO 01** Apague la perilla de control del quemador.

**PASO 02** Espere 5 minutos.

**PASO 03** Repita el procedimiento de encendido.

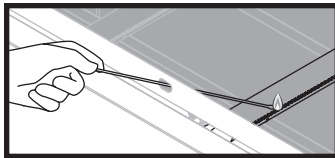
Si esto no funciona, para determinar la causa, intente encender su aparato con una cerilla.

### INSTRUCCIONES PARA ENCENDER FÓSFOROS

Antes de comenzar, compruebe si hay fugas de gas. Abra el capó (si corresponde).

**PASO 01** Gire la perilla de control a la posición APAGADO.

**PASO 02** Encienda un fósforo (o un encendedor largo) de no menos de 11 pulgadas de largo.



**PASO 03** Coloque la llama en el lado derecho o izquierdo del quemador.

**PASO 04** Presione y gire la perilla de control para que empiece a fluir el gas. Asegúrese de que el quemador se encienda y permanezca encendido.

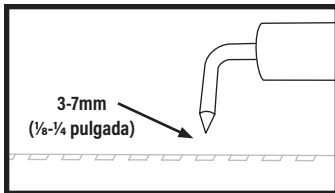
### SI PUEDE ENCENDER SU ELECTRODOMÉSTICO CON UN FÓSFORO:

#### POSIBLES CAUSAS

Cable de encendido desalineado.

#### SOLUCIÓN

Asegúrese de que la aguja del encendedor esté colocada a 3-7 mm (1/8-1/4 pulgada) del quemador y alineada con los orificios del quemador.



Daños en el sistema de encendido.

Póngase en contacto con el servicio de atención al cliente para obtener piezas de repuesto.

### SI NO PUEDE ENCENDER SU APARATO CON UN FÓSFORO:

#### POSIBLES CAUSAS

Los tubos de los quemadores no reciben combustible.

#### SOLUCIÓN

Limpie el conjunto del quemador para eliminar la obstrucción.

## SOLUCIÓN DE PROBLEMAS DE FLUJO DE GAS

### EL APARATO NO ALCANZA UNA TEMPERATURA ALTA O CALIENTA DE MANERA DESIGUAL:

- Las llamas del quemador son amarillas o irregulares.
- Las llamas del quemador comienzan con fuerza, luego bajan inmediatamente a nivel bajo incluso cuando el quemador está en la posición alta.
- La altura de la llama desciende cuando se enciende un segundo quemador.
- Las llamas NO SE extienden por toda la longitud del quemador, o solo corren por un lado del quemador.
- Las llamas del quemador son inconsistentes.

#### POSIBLES CAUSAS

Obstrucciones en el quemador, chorros de gas o riel de combustible.

El cilindro de gas está vacío o bajo.

Se activó el dispositivo limitador de caudal del regulador.

#### SOLUCIÓN

Limpie el quemador, los surtidores y la manguera de gas.

Rellene o reemplace el cilindro de gas.

Restablecer el sistema de seguridad:

**PASO 01** Apague el aparato, cierre la válvula del cilindro de gas y desconecte el regulador del cilindro de gas.

**PASO 02** Espere cinco minutos para permitir que se disipe la presión, luego vuelva a conectar el regulador al cilindro de gas y abra lentamente el volante del cilindro de gas de una a tres vueltas.

**PASO 03** Encienda su electrodoméstico.

Regulador atascado en posición de seguridad.

Póngase en contacto con el servicio de atención al cliente para obtener piezas de repuesto.

- Una llama sale de la puerta de aire.



#### POSIBLES CAUSAS

Algo está bloqueando el venturi en el tubo del quemador.

#### SOLUCIÓN

Limpie el conjunto del quemador para eliminar la obstrucción.



Esta página se dejó en blanco intencionalmente



Esta página se dejó en blanco intencionalmente





Esta página se dejó en blanco intencionalmente





Este producto puede estar cubierto por una o más patentes estadounidenses y/o internacionales emitidas y puede incluir solicitudes de patentes pendientes. Para obtener más información, visite: [BlackstoneProducts.com/patents](https://BlackstoneProducts.com/patents)

