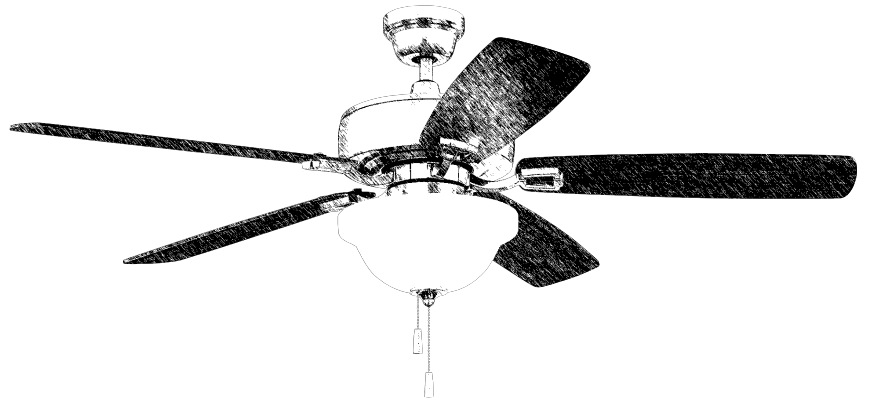


CRAFTMADE™

READ THESE INSTRUCTIONS
AND SAVE THEM FOR FUTURE USE

**TWIST
N
CLICK®**



Twist N Click®

Express Assembly

No Tools Required



Installation Guide

For Model:
TCE52

Table of Contents:

Safety Tips. pg. 2

Unpacking Your Fan. pg. 3

Parts Inventory. pg. 3

Installation Preparation. pg. 4

Hanging Bracket Installation. pg. 4

Fan Assembly. pg. 5

Wiring. pg. 5

Canopy Assembly. pg. 6

Blade Assembly. pg. 6

Light Kit Assembly (Optional). pgs. 7- 8

Testing Your Fan. pg. 8

Troubleshooting. pg. 9

Warranty. pg. 9

Parts Replacement. pg. 9



Intertek
4009654

net weight of fan: 17.62 lb (8.0 kg)

PRINTED IN CHINA

SAFETY TIPS.

WARNING: To reduce the risk of electrical shock, turn off the electricity to the fan at the main fuse box or circuit panel before you begin the fan installation or before servicing the fan or installing accessories.

1. **READ ALL INSTRUCTIONS AND SAFETY INFORMATION CAREFULLY BEFORE INSTALLING YOUR FAN AND SAVE THESE INSTRUCTIONS.**

CAUTION: To avoid personal injury, the use of gloves may be necessary while handling fan parts with sharp edges.

2. Make sure all electrical connections comply with Local Codes or Ordinances, the National Electrical Code and ANSI/NFPA 70-1999. If you are unfamiliar with electrical wiring or if the house/building wires are different colors than those referred to in the instructions, please use a qualified electrician.
3. Make sure you have a location selected for your fan that allows clear space for the blades to rotate, and at least seven (7) feet (2.13 meters) of clearance between the floor and the fan blade tips. The fan should be mounted so that the tips of the blades are at least thirty (30) inches (76 centimeters) from walls or other upright structures.
4. The outlet box and ceiling support joist used must be securely mounted, and capable of supporting at least 35 pounds (16 kilograms). The outlet box must be supported directly by the building structure. Use only ETL or UL listed outlet boxes marked "FOR FAN SUPPORT."

WARNING: To reduce the risk of fire, electrical shock, or personal injury, mount to the outlet box marked "Acceptable for Fan Support of 15.9 kg (35 lb) or less," and use the mounting screws provided with the outlet box. Most outlet boxes commonly used for the support of lighting fixtures are not acceptable for fan support and may need to be replaced. Consult a qualified electrician if in doubt.

WARNING: To reduce the risk of fire, electrical shock, or personal injury, wire connectors provided with this fan are designed to accept only one 12 gauge house wire and two lead wires from the fan. If your house wire is larger than 12 gauge or there is more than one house wire to connect to the corresponding fan lead wires, consult an electrician for the proper size wire connectors to use.

5. Electrical diagrams are for reference only.
6. After installation is complete, check that all connections are absolutely secure.
7. After making electrical connections, spliced conductors should be turned upward and pushed carefully up into the outlet box. The wires should be spread apart with the grounded conductor and the equipment-grounding conductor on opposite sides of the outlet box.

WARNING: To reduce the risk of fire or electrical shock and fire, do not use this fan with any solid state speed control device or control fan speed with a full range dimmer switch. [Using a full range dimmer switch to control fan speed will cause a loud humming noise from fan.] (**Note:** This fan *is* suitable for use with remote control.)

8. Do not operate the reverse switch until the fan has come to a complete stop.
9. Do not insert anything between the fan blades while they are rotating.

WARNING: To reduce the risk of personal injury, do not bend the blade arms during assembly or after installation. Do not insert objects into the path of the blades.

WARNING: To avoid personal injury or damage to the fan and other items, be cautious when working around or cleaning the fan.

10. Do not use water or detergents when cleaning the fan or fan blades. A dry dust cloth or lightly dampened cloth will be suitable for most cleaning.

WARNING: To reduce the risk of personal injury, use **only** parts provided with this fan. **The use of parts OTHER than those provided with this fan will void the warranty.**

11. Light kit is dimmable to 10%.

Modifications not approved by the party responsible for compliance could void the user's authority to operate the equipment. [The equipment refers to the remote and/or wall control and/or LED light kit.]

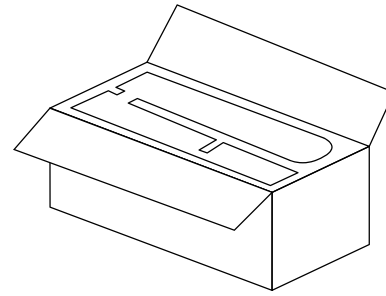
NOTE: This equipment has been tested and found to comply with the limits for a Class B digital device, pursuant to Part 15 of the FCC Rules. These limits are designed to provide reasonable protection against harmful interference in a residential installation. This equipment generates, uses and can radiate radio frequency energy and, if not installed and used in accordance with the instructions, may cause harmful interference to radio communications. However, there is no guarantee that interference will not occur in a particular installation. If this equipment does cause harmful interference to radio or television reception, which can be determined by turning the equipment off and on, the user is encouraged to try to correct the interference by one or more of the following measures:

- * Reorient or relocate the receiving antenna.
- * Increase the separation between the equipment and receiver.
- * Connect the equipment into an outlet on a circuit different from that to which the receiver is connected.
- * Consult the dealer or an experienced radio/TV technician for help.

NOTE: The important safety precautions and instructions appearing in the manual are not meant to cover all possible conditions and situations that may occur. It must be understood that common sense and caution are necessary factors in the installation and operation of this fan.

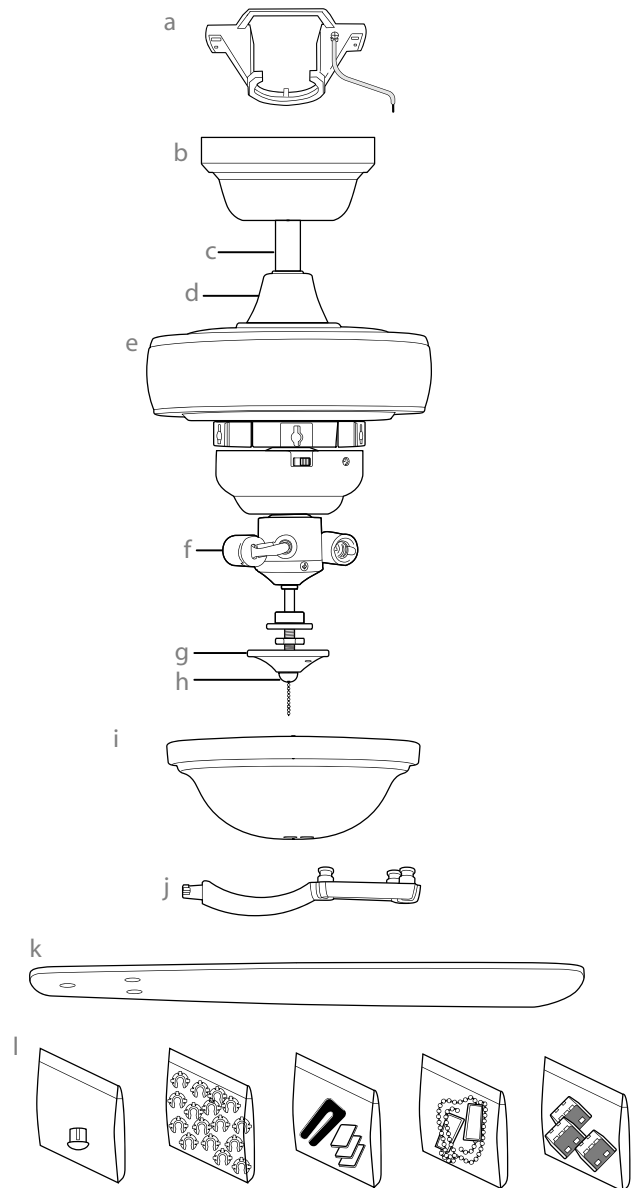
1. Unpacking Your Fan.

Carefully open the packaging. Remove items from Styrofoam inserts. Remove motor housing and place on carpet or Styrofoam to avoid damage to finish. Do not discard fan carton or Styrofoam inserts should this fan need to be returned for repairs. Check against parts inventory that all parts have been included.



2. Parts Inventory.

- a.** hanging bracket. 1 piece
- b.** canopy (pre-attached to downrod). 1 piece
- c.** downrod and hanging ball (pre-attached to motor housing). 1 piece
- d.** yoke cover (pre-attached to downrod). 1 piece
- e.** motor housing. 1 piece
- f.** light kit fitter (pre-attached to motor housing). 1 piece
- g.** finial plate (pre-attached to light kit fitter). 1 piece
- h.** finial (pre-attached to light kit fitter). 1 piece
- i.** glass shade. 1 piece
- j.** blade arm. 5 pieces
- k.** blade. 5 pieces
- l.** hardware packs



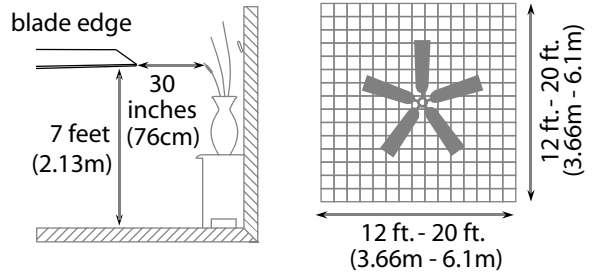
IMPORTANT REMINDER: You must use the parts provided with this fan for proper installation and safety.

bulbs required:
3 x 6.5 watt max. medium based LED bulbs
(included)



3. Installation Preparation.

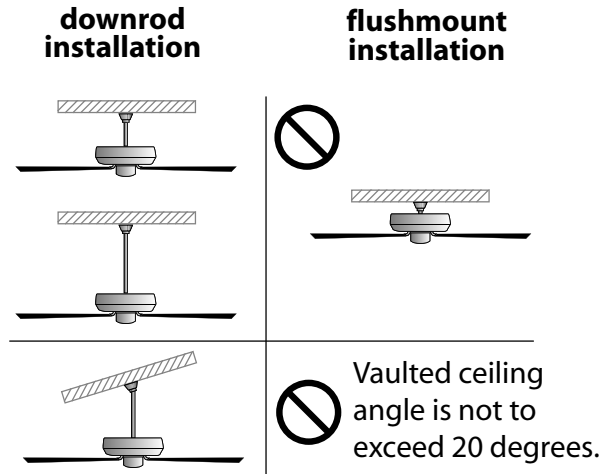
To prevent personal injury and damage, ensure that the hanging location allows the blades a clearance of 7 feet (2.13m) from the floor and 30in (76cm) from any wall or obstruction. This fan is suitable for room sizes up to 400 square feet (37.2 square meters).



This fan can be mounted with a **downrod** on a regular (no-slope) or vaulted ceiling. The hanging length can be extended by purchasing a longer downrod (0.5in /1.27cm diameter). Other installation, such as **flushmount**, is not available for this fan.

Helpful tools (not included):

Phillips screwdriver, flathead screwdriver, adjustable pliers or wrench, stepladder, wire cutters, and rated electrical tape.



4. Hanging Bracket Installation.

Turn off circuit breakers to current fixture from breaker panel and be sure operating light switch is turned to the OFF position.

WARNING: Failure to disconnect power supply prior to installation may result in serious injury.

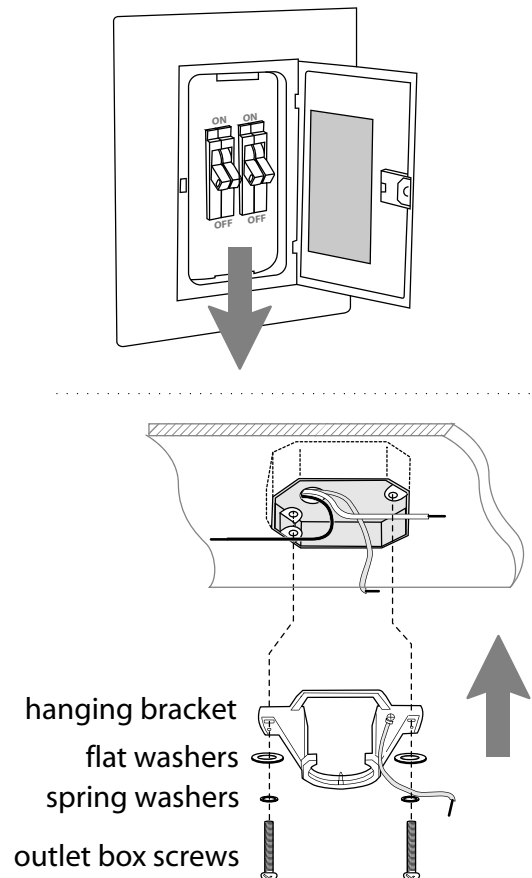
Remove existing fixture.

WARNING: When using an existing outlet box, be sure the outlet box is securely attached to the building structure and can support the full weight of the fan. Ensure outlet box is clearly marked "Suitable for Fan Support." If not, it must be replaced with an approved outlet box. Failure to do so can result in serious injury.

CAUTION: Be sure outlet box is grounded properly and that a ground wire (**GREEN** or bare) is present.

Install hanging bracket to outlet box using original screws, spring washers and flat washers provided with new or original outlet box.* If installing on a vaulted ceiling, face opening of hanging bracket towards high point of ceiling. Arrange electrical wiring around the back of the hanging bracket and away from the hanging bracket opening.

***Note:** It is very important that you use the proper hardware when installing the hanging bracket as this will support the fan.

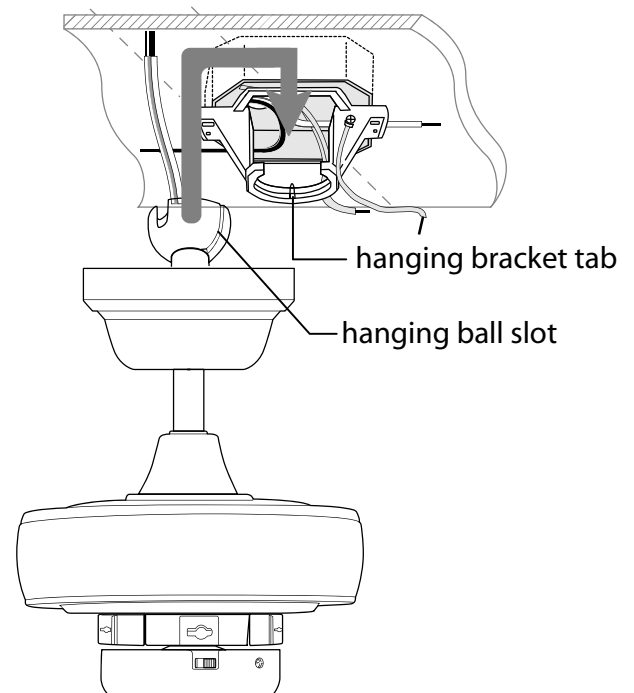


5. Fan Assembly.

With the hanging bracket secured to the outlet box and able to support the fan, you are now ready to hang your fan. Grab the fan firmly with two hands. Slide down rod through opening in hanging bracket and let hanging ball rest on the hanging bracket. Turn the hanging ball slot until it lines up with the hanging bracket tab.

WARNING: Failure to align slot in hanging ball with tab in hanging bracket may result in serious injury or death.

Tip: Seek the help of another person to hold the stepladder in place and to lift the fan up to you once you are set on the ladder.



6. Wiring.

WARNING: Turn off circuit breakers to current fixture from breaker panel and be sure switch is turned to the OFF position.

CAUTION: Be sure outlet box is properly grounded and that a ground wire (**GREEN** or Bare) is present.

Make sure all electrical connections comply with Local Codes or Ordinances and the National Electrical Code. If you are unfamiliar with electrical wiring or if the house/building wires are different colors than those referred to in the instructions below, please use a qualified electrician.

Note: Excess lead wire length from the fan can be cut to the desired length and then strip insulation 1/2 inch.

Locate 3 quick connect clips in hardware pack.

When fan is secured in place on the hanging bracket, wire the fan using the provided clips:

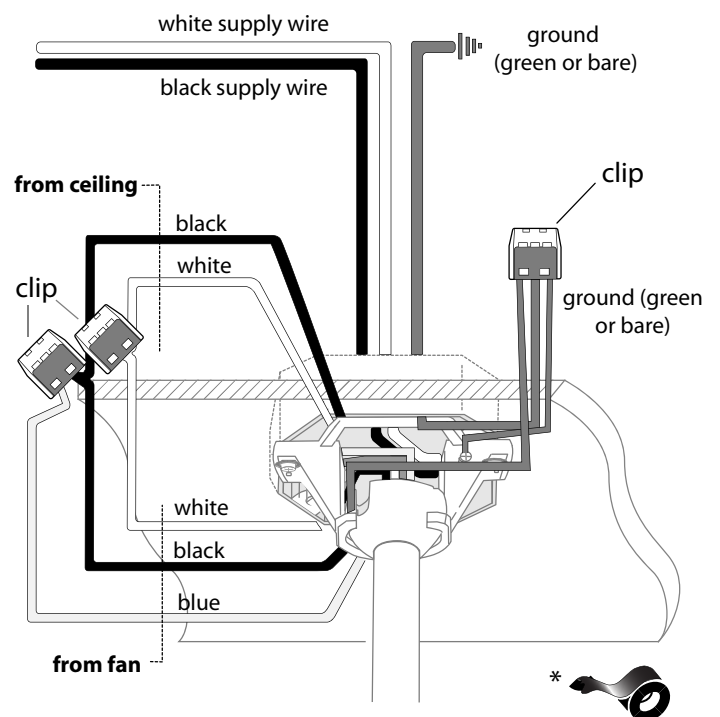
Push **BLACK** wire from ceiling into clip. Then push **BLACK** and **BLUE** wires from fan into same clip.

Push **WHITE** wire from ceiling into clip. Then push **WHITE** wire from fan into same clip.

Push **BARE/GREEN** wire from ceiling into clip. Then push **GROUND (GREEN)** wire from fan into same clip.

* Wrap each clip separately with electrical tape as an extra safety measure.

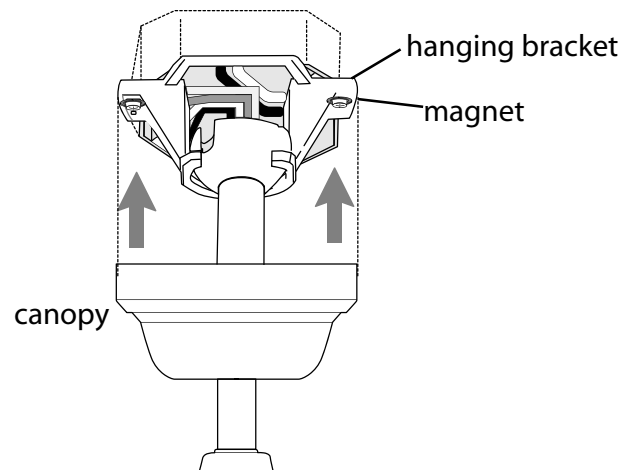
IMPORTANT: Pull on each wire to make sure wires are secure in the clip.



7. Canopy Assembly.

Raise canopy toward ceiling and allow it to attach to hanging bracket using the magnets mounted on each side of the hanging bracket. Carefully peel away the plastic wrapping around the downrod sheath.

Note: Should you need to lower the canopy for any reason, use care in lowering the canopy over the downrod sheath to prevent scratching the metal surfaces.



8. Blade Assembly.

WARNING: To reduce the risk of serious bodily injury, DO NOT use power tools to assemble the blades. If overtightened, blades may crack and break.

Locate 15 three-C clips in hardware pack. Align the blade screw posts on blade arms with the holes on a blade.

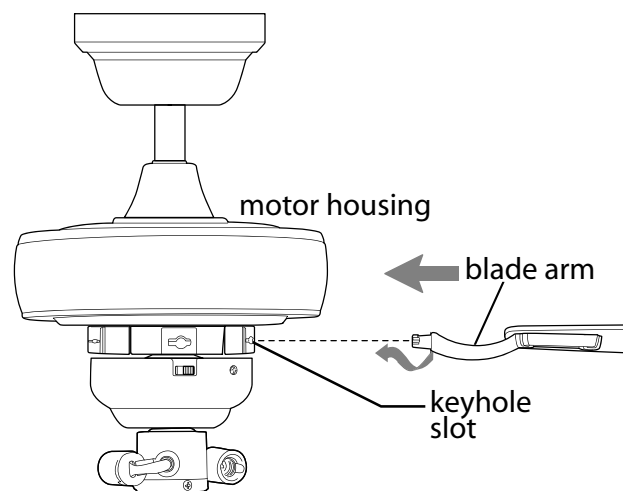
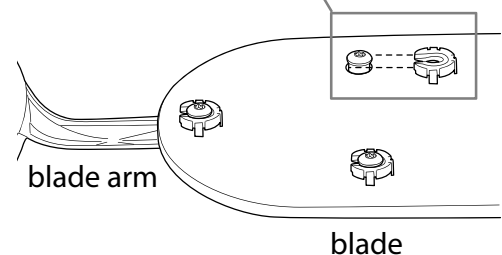
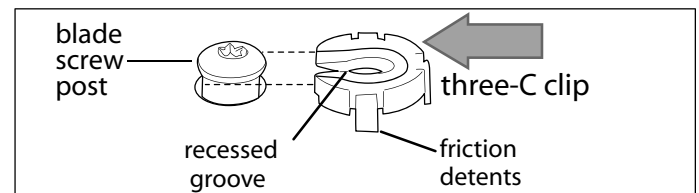
Press on the blade arm firmly so the blade screw posts come through the holes in the blade, then slide a three-C clip onto each blade screw post.

Repeat for each blade arm and blade.

WARNING: To reduce the risk of personal injury, make sure the friction detents on three-C clip face down and recessed groove faces up. Slide three-C clips completely under blade screw posts so edges of blade screw posts are captured by the recessed groove on the three-C clips.

Insert the end of one blade arm into the keyhole slot on the motor housing. Twist blade arm clockwise until it clicks to lock in place.

Repeat with remaining blade arms.



9. Light Kit Assembly (Optional).

If you wish to use your fan WITH the light kit, remove finial, finial plate, hex nut and rubber washer from bottom of light kit fitter. Save finial, finial plate, hex nut and rubber washer for later use. [Refer to **diagram 1.**]

Install three 6.5 watt max. medium base LED bulbs (included).

Important: When you need to replace bulbs, please allow bulb(s) and glass shade to cool down before touching them.

Place rubber washer inside glass shade over center hole. Raise glass shade in order to guide pull chains through appropriate holes in glass shade. Align threaded rod on light kit fitter with hole in middle of glass shade and push up gently allowing threaded rod to come through hole. (*Be sure pull chain for fan operation does not rub against bulb during operation.*) Secure glass shade with hex nut. **Do NOT overtighten hex nut as glass may crack or break.**

Align hole in center of finial plate with threaded rod, allowing pull chains to come through appropriate holes in finial plate, and push up. Thread center pull chain through hole in finial and tighten finial. **Do NOT overtighten finial as glass may crack or break.** [Refer to **diagram 2.**]

If you wish to use your fan WITHOUT the light kit, locate wires in switch housing labeled FOR LIGHT KIT CONNECTION. Gently pull molex connections apart in order to disconnect these wires.

Next, remove the hex nut and lock washer from the threaded rod at the top of the light kit fitter. Unscrew the switch housing to remove it from the light kit fitter and then gently feed the BLACK and WHITE wires from the light kit fitter through the hole in the middle of the switch housing. [Refer to **diagram 3.**]

["Light Kit Assembly" continued on next page.]

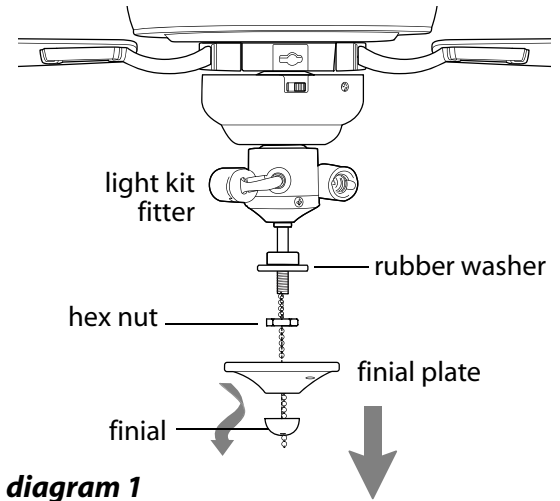


diagram 1

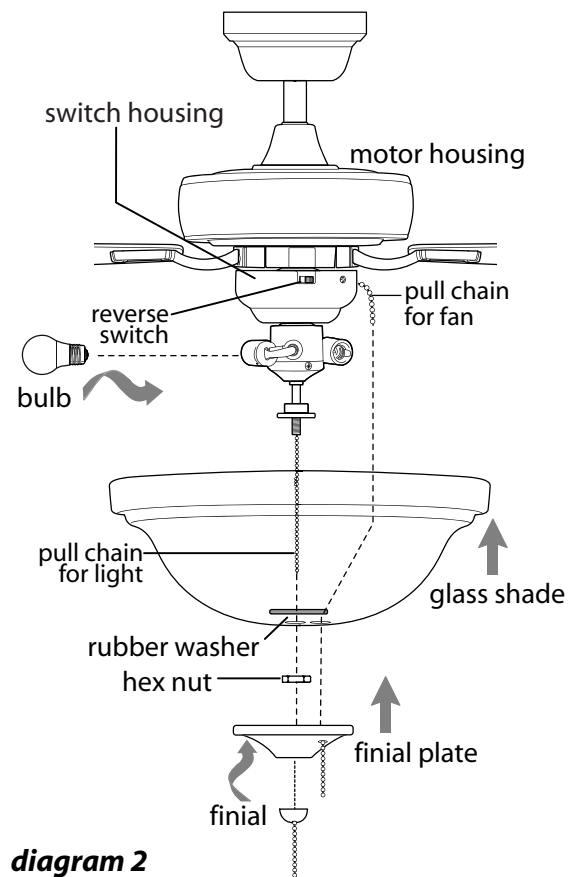


diagram 2

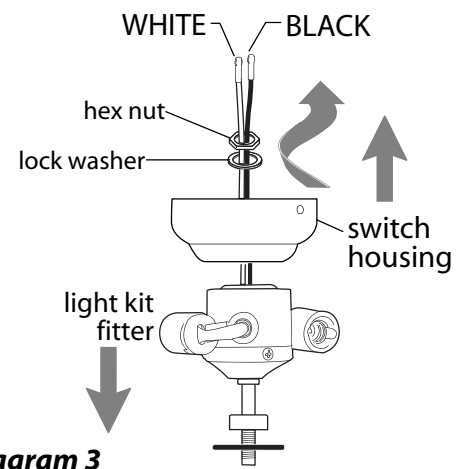


diagram 3

9. Light Kit Assembly (Optional). (cont).

Locate cap in one of the hardware packs and place cap firmly into hole in middle of switch housing.

Align holes in switch housing with holes in fitter plate. Secure switch housing with the 3 screws previously removed. Tighten all 3 screws securely. [Refer to **diagram 4**.]

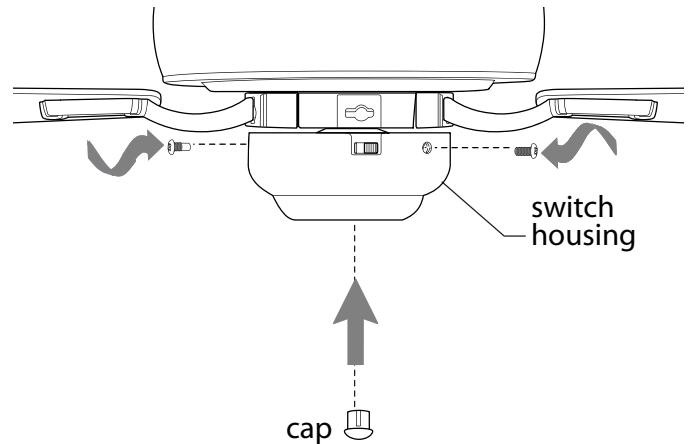


diagram 4

10. Testing Your Fan.

It is recommended that you test fan before finalizing installation. Restore power from circuit box and light switch (if applicable). Test fan speeds with pull chain located on switch housing. Start at the OFF position (no blade movement). First pull will set the fan to HI. Second pull will set the fan to MEDIUM. Third pull will set the fan to LOW. Fourth pull will again set the fan to the OFF setting. Test light with the pull chain in the middle. (**diagram 1**) If fan does not function, please refer to "Troubleshooting" section to solve any issues before contacting Customer Service.

Turn fan completely off *before* moving the reverse switch. Set reverse switch to recirculate air depending on the season:

- LEFT position in summer (**diagram 2**)
- RIGHT position in winter (**diagram 3**)

A ceiling fan will allow you to raise your thermostat setting in summer and lower your thermostat setting in winter without feeling a difference in your comfort.

Important: Reverse switch must be set either *completely LEFT* or *completely RIGHT* for fan to function. If the reverse switch is set in the *middle* position (**diagram 4**), fan will not operate.

Attach pull chain extension(s) supplied or custom pull chain extension (sold separately) to the end(s) of the pull chain(s).

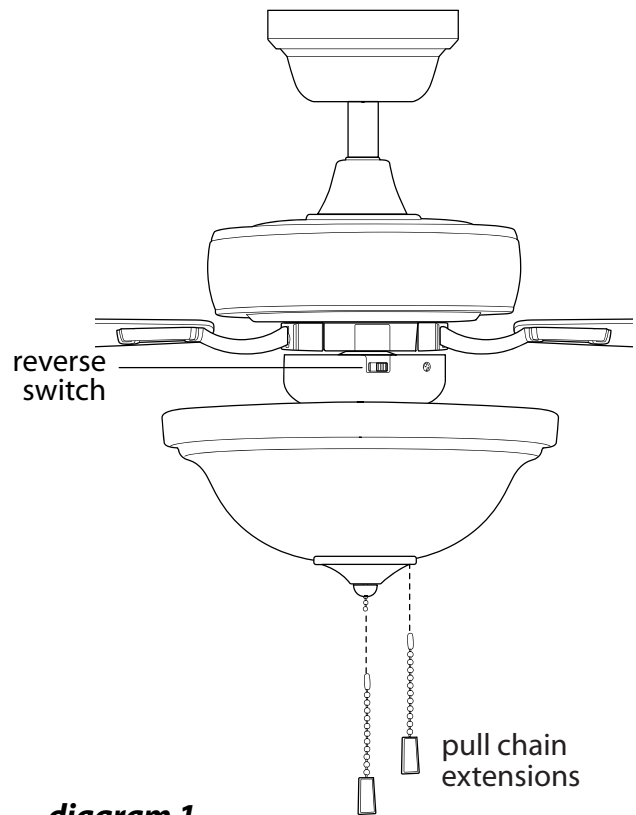


diagram 1

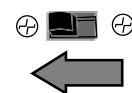


diagram 2

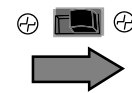


diagram 3



diagram 4

Troubleshooting.

Problem: Fan fails to operate.

Solutions:

1. Check wall switch to fan.
2. Verify that reverse switch is set completely in either direction.
3. Check to be sure fan is wired properly.

Problem: Light kit (optional) not lighting.

Solutions:

1. Check wall switch to fan.
2. Check that bulbs are installed correctly.
3. Check to be sure wires in canopy are wired properly.
4. Verify that molex connections are connected properly in switch housing.

Problem: Fan operates but light fails (if applicable).

Solutions:

1. Check that bulbs are installed correctly.
2. Check to be sure wires in canopy are wired properly.
3. Verify that molex connections are connected properly in switch housing.
4. Replace defective bulbs with same type of bulb.

Problem: Fan wobbles.

Solutions:

1. Use the balancing kit in one of the hardware packs. *If no blade balancing kit is provided, please call Customer Support, 1-800-486-4892, to request one.*
2. Check to be sure set screw(s) on motor housing yoke is (are) tightened securely.
3. Check to be sure set screw on hanging ball is tightened securely.

Warranty.

CRAFTMADE LIFETIME LIMITED WARRANTY:

CRAFTMADE warrants this fan to the original household purchaser for indoor use under the following provisions:
1-YEAR WARRANTY: CRAFTMADE will replace or repair any fan which has faulty performance due to a defect in material or workmanship. Contact Craftmade Customer Service at **1-800-486-4892** to arrange for return of fan. Return fan, shipping prepaid, to Craftmade. We will repair or ship you a replacement fan, and we will pay the return shipping cost.

5-YEAR WARRANTY: CRAFTMADE will repair or replace, at no charge to the original purchaser, any fan motor that fails to operate satisfactorily when failure results from normal use.

RETURN FAN MOTOR ONLY, shipping prepaid, to Craftmade Industries. We will repair or ship purchaser a replacement motor and Craftmade will pay the return shipping cost.

6-YEAR to LIFETIME LIMITED WARRANTY: CRAFTMADE will repair the fan, at no charge for labor only to the original purchaser, if the fan motor fails to operate satisfactorily when failure results from normal use. Parts used in the repair will be billed to the purchaser at prevailing prices at time of repair.

The purchaser shall be responsible for all costs incurred in the removal, reinstallation and shipping of the product for repairs.

This warranty does not apply when damage from mechanical, physical, electrical or water abuse results in causing the malfunction. Deterioration of finishes or other parts due to time or exposure to salt air is specifically exempted under this warranty.

Neither Craftmade nor the manufacturer will assume any liability resulting from improper installation or use of this product. In no case shall the company be liable for any consequential damages for breach of this, or any other warranty expressed or implied whatsoever. This limitation as to consequential damages shall not apply in states where prohibited.

Parts Replacement.

For parts and information, please refer to "Parts Inventory" on page 3.

Craftmade Customer Support:

1-800-486-4892

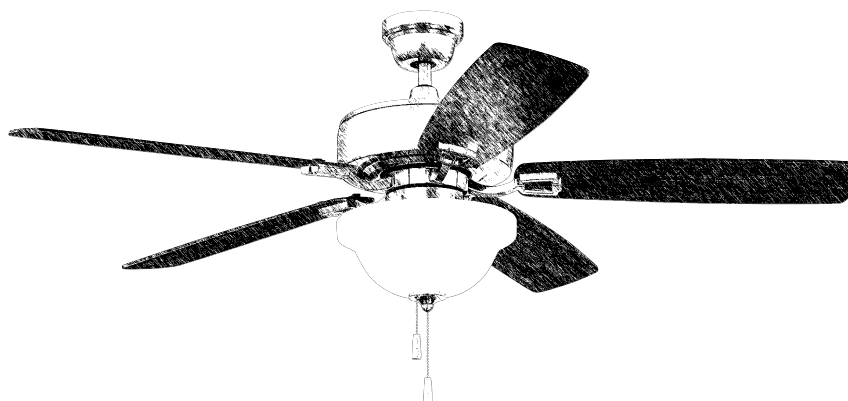
www.craftmade.com

CRAFTMADE™

CRAFTMADE™

LEER ESTAS INSTRUCCIONES Y
GUARDARLAS PARA UTILIZACION FUTURA

**TWIST
N
CLICK®**



Twist N Click®

Ensamblaje Rápido

No se necesitan
herramientas



Guía de instalación

Para modelo:
TCE52

Índice de materias:

- Sugerencias de seguridad. Pág. 2
- Desempaquetado del ventilador. Pág. 3
- Inventario de piezas. Pág. 3
- Preparación para la instalación. Pág. 4
- Instalación del soporte de montaje. Pág. 4
- Ensamblaje del ventilador. Pág. 4
- Instalación eléctrica. Pág. 5
- Colocación de la cubierta decorativa. Pág. 6
- Colocación de las aspas. Pág. 6
- Instalación del juego de luz (opcional).
Págs. 7 - 8
- Verificación del funcionamiento del
ventilador. Pág. 8
- Localización de fallas. Pág. 9
- Garantía. Pág. 9
- Piezas de repuesto. Pág. 9



Intertek
4009654

peso neto del ventilador : 8 kg (17,62 lb)

IMPRESO EN CHINA

SUGERENCIAS DE SEGURIDAD.

ADVERTENCIA: para evitar la posibilidad de una descarga eléctrica, desconectar la corriente en la caja de fusibles principal o el interruptor protector antes de iniciar la instalación del ventilador o antes de repararlo o instalar accesorios.

1. LEER TODAS LAS INSTRUCCIONES E INFORMACIÓN DE SEGURIDAD CUIDADOSAMENTE ANTES DE INSTALAR SU VENTILADOR Y GUARDAR ESTAS INSTRUCCIONES.

PRECAUCIÓN: para reducir el riesgo de daño corporal, es posible que sea necesario usar guantes al manejar las piezas del ventilador que tengan bordes afilados.

2. Asegurarse de que todas las conexiones eléctricas cumplan con los Códigos o las Ordenanzas Locales, el Código Nacional Eléctrico, y ANSI/NFPA 70-1999. Si usted no está familiarizado con el alambrado eléctrico o los cables de la casa/el edificio son de colores diferentes a los cuales se refieren en las instrucciones, favor de buscar un electricista calificado
3. Asegurarse de que haya localizado una ubicación para su ventilador que permite el espacio necesario para la rotación de las aspas y por lo menos 2,13 metros (7 pies) de espacio libre entre el piso y las puntas de las aspas. Debe instalar el ventilador para que las puntas de las aspas queden a una distancia de por lo menos 76 centímetros (30 pulgadas) de las paredes y otras estructuras verticales.
4. La caja de salida eléctrica debe estar bien sujeta a la viga de soporte del techo y deben ser capaces de sostener por lo menos 16 kilogramos (35 libras). La caja de salida debe tener apoyo directo de la estructura del edificio. Sólo usar cajas de salida registradas con ETL o UL que indican que "sirven para ventilador" ("FOR FAN SUPPORT" en inglés).

ADVERTENCIA: para reducir el riesgo de incendio, descarga eléctrica o daño corporal, instalar en la caja de salida marcada "Aceptable para sostener ventilador de 15,9 kg (35 lb) o menos" ["Acceptable for Fan Support of 15.9 kg (35 lb) or less"] y utilizar los tornillos proporcionados con la caja de salida. La mayoría de las cajas de salida que normalmente se usan para sostener los aparatos de alumbrado no siempre son apropiadas para sostener ventiladores y es posible que las tenga que reemplazar. En caso de duda, consultar con un electricista calificado.

ADVERTENCIA: para reducir el riesgo de incendio, descarga eléctrica o daño corporal, los conectores para cable provistos con este ventilador son diseñados para aceptar sólo un cable de calibre 12 de la casa y dos cables principales del ventilador. Si el calibre del cable de la casa es superior al 12 o hay más de un cable de la casa para conectar a los cables principales del ventilador al cual corresponda cada uno, consultar con un electricista para informarse sobre el tamaño correcto de conectores para cable que se debe usar.

5. Los diagramas eléctricos son únicamente para referencia.
6. Después de haber terminado la instalación, asegurarse de que todas las conexiones estén totalmente seguras.
7. Después de haber terminado todas las conexiones eléctricas, los conductores empalmados deben ser volteados para arriba y colocados cuidadosamente dentro de la caja de salida. Los alambres se deben de separar con el conductor a tierra a un lado y el conductor a tierra del equipo al lado opuesto.

ADVERTENCIA: para reducir el riesgo de incendio o un choque eléctrico, no usar el ventilador con ningún control de velocidad de estado sólido ni controlar la velocidad del ventilador con un interruptor con reductor de luz de gama completa. [El usar un interruptor con reductor de luz de gama completa para controlar la velocidad del ventilador causará un zumbido recio del ventilador.] (**Nota:** Este ventilador *si* sirve para usar con control remoto.)

8. No utilizar el interruptor de reversa hasta que el ventilador se haya parado completamente.
9. No insertar ningún objeto entre las aspas mientras estén rotando.

ADVERTENCIA: para reducir el riesgo de daño corporal, no doblar los brazos para las aspas durante el ensamblaje ni durante la instalación. No insertar objetos entre las aspas mientras estén rotando.

ADVERTENCIA: Para reducir el riesgo de daño corporal o algún daño al ventilador, tener cuidado al estar trabajando alrededor del ventilador o limpiándolo.

10. No utilizar agua ni detergentes para limpiar el ventilador ni las aspas. Usar un trapo seco o ligeramente húmedo para su limpieza general.

ADVERTENCIA: para reducir el riesgo de daño corporal, usar **sólo** las piezas provistas con este ventilador. **Al usar piezas DISTINTAS a las provistas con este ventilador se invalidará la garantía.**

11. El juego de luz LED se puede regular al 10%.

Las modificaciones no aprobadas por la parte responsable de la conformidad podrían invalidar la autorización del usuario para manejar el equipo. [El equipo se refiere al control remoto y/o el control de pared y/o el juego de luz LED.]

NOTA: se han hecho pruebas en este equipo y se ha comprobado que cumple con los límites para un aparato digital de clase B, de acuerdo con la Parte 15 de las Reglas de la FCC. Se concibieron estos límites para proveer protección razonable contra la interferencia adversa en una instalación residencial. Este equipo produce, usa y puede radiar energía de radiofrecuencia y, si no se instala y no se usa según las instrucciones, puede causar interferencia adversa en la radiocomunicación. Sin embargo, no hay ninguna garantía de que no habrá interferencia en una instalación en particular. Si este equipo *si* causa interferencia adversa en la recepción de radio o televisión, que se puede determinar apagando y prendiendo el equipo, se le urge al usuario a intentar rectificar la interferencia tomando una o más de las medidas que siguen:

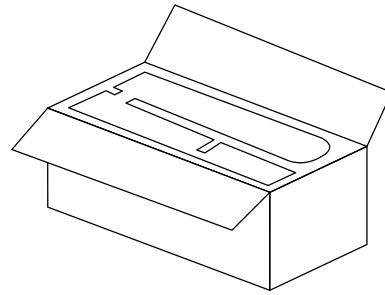
- * Orientar la antena de nuevo o localizarla en otro sitio.
- * Aumentar la separación entre el equipo y el receptor.
- * Conectar el equipo a un tomacorriente en un circuito distinto al cual está conectado el receptor.
- * Solicitar ayuda del distribuidor o un técnico de radio/televisión.

NOTA: no se debe concluir que las precauciones de seguridad importantes e instrucciones en este manual van a abarcar todas las condiciones y situaciones posibles que puedan ocurrir. Se debe entender que el sentido común y la precaución son factores necesarios en la instalación y la operación de este ventilador.

1. Desempaquetado del ventilador.

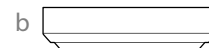
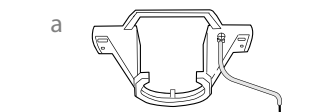
Abrir el empaque cuidadosamente. Sacar los artículos del embalaje. Sacar el motor y ponerlo en una alfombra o en el embalaje para evitar rayar el acabado. Guardar la caja de cartón o el empaquetamiento original en caso de que tenga que mandar el ventilador para alguna reparación.

Comprobar las piezas del ventilador con el inventario de piezas y verificar que se incluyeron todas.



2. Inventario de piezas.

- a. soporte de montaje. 1 unidad
- b. cubierta decorativa. (fijada de antemano al tubo). 1 unidad
- c. tubo y bola que sirve para colgar (fijados de antemano al bastidor del motor). 1 unidad
- d. cubierta del cuello (fijada de antemano al tubo). 1 unidad
- e. bastidor del motor. 1 unidad
- f. conector para el juego de luz (fijado al bastidor del motor). 1 unidad
- g. placa del adorno con rosca (fijada de antemano al conector para el juego de luz). 1 unidad
- h. adorno con rosca (fijado de antemano al conector para el juego de luz). 1 unidad
- i. pantalla de vidrio. 1 unidad
- j. brazo para el aspa. 5 unidades
- k. aspa. 5 unidades
- l. paquetes de artículos de ferretería



c

d

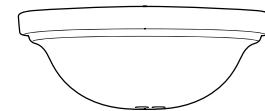
e

f

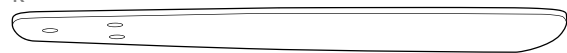
g

h

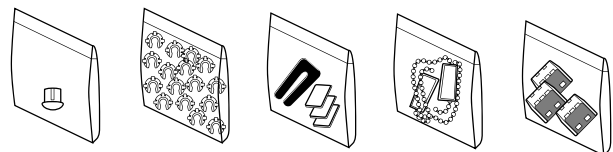
i



k



l



! RECORDATORIO IMPORTANTE:
Se tienen que utilizar las piezas provistas con este ventilador para una instalación adecuada y su seguridad.

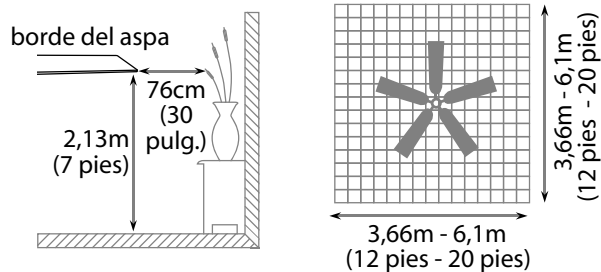


bombillas necesarias:
3 bombillas LED base mediana de 6,5 vatios máx. (incluidas)



3. Preparación para la instalación.

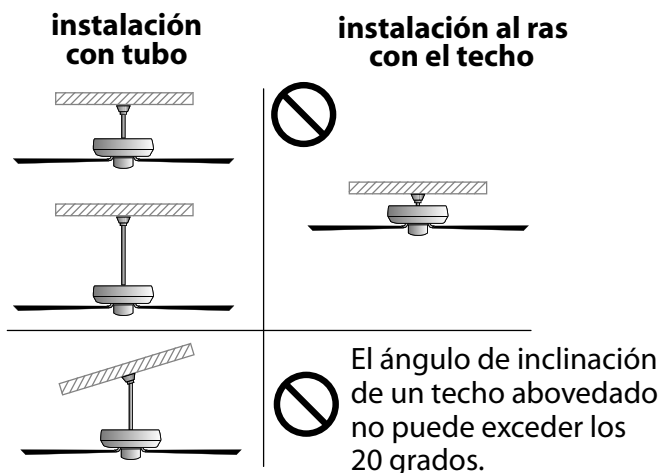
Para prevenir daño corporal y otros daños, estar seguro de que el lugar en donde va a colgar el ventilador le permite un espacio libre de 2,13m (7 pies) entre las puntas de las aspas y el piso y 76cm (30 pulg.) entre las aspas y cualquier pared u otra obstrucción. Este ventilador es adecuado para habitaciones hasta 37,2 metros cuadrados (400 pies cuadrados).



Se puede colgar este ventilador **con tubo** en un techo regular (sin inclinación) o abovedado. La longitud colgante se puede extender comprando un tubo más largo (con diámetro de 1,27cm/0,5 pulg.). No hay ningún otro tipo de instalación, como **al ras con el techo**, disponible para este ventilador.

Herramientas útiles (no se incluyen):

destornillador de estrella Phillips, destornillador de paleta (plano), alicates ajustables o llave de tuercas, escalera de tijera, cortaalambres y cinta aisladora.



4. Instalación del soporte de montaje.

Apagar los cortacircuitos en el panel de electricidad que suplen corriente a la caja de salida y asegurarse de que el interruptor de luz esté APAGADO.

ADVERTENCIA: el no desconectar el suministro de fuerza antes de la instalación puede tener por resultado lesiones graves.

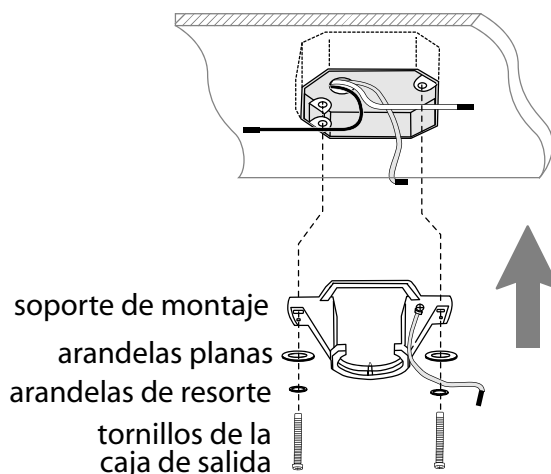
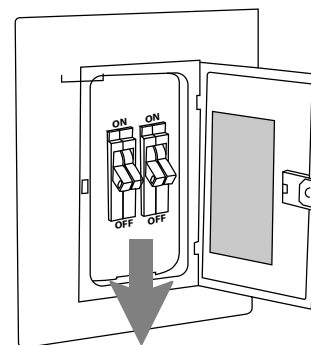
Quitar el aparato existente.

ADVERTENCIA: si utiliza una caja de salida existente, asegurarse de que la caja de salida esté firmemente conectada a la estructura del edificio y que sea capaz de sostener el peso total del ventilador. Asegurarse de que la caja de salida indique claramente que "Sirve para ventilador" (FOR FAN SUPPORT); si no, se debe reemplazar con una caja de salida aprobada. El no hacer el cambio si es necesario puede resultar en lesiones graves.

PRECAUCIÓN: asegurarse de que la caja de salida esté conectada a tierra correctamente y que haya un conductor a tierra (**VERDE** o pelado).

Instalar el soporte de montaje utilizando los tornillos originales, las arandelas de resorte y las arandelas planas de su nueva o existente caja de salida.* Si hace la instalación en un techo abovedado, colocar el soporte de montaje con la abertura dirigida hacia la parte alta del techo. Arreglar el alambrado eléctrico (los cables) en la parte de atrás del soporte de montaje y lejos de la abertura del soporte.

***Nota:** es muy importante que use los artículos de ferretería correctos al instalar el soporte de montaje puesto que sirve para sostener el ventilador.

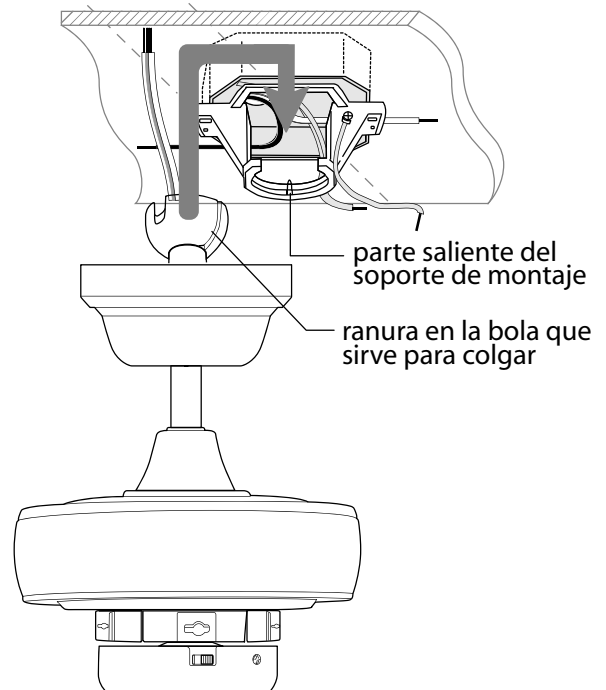


5. Ensamblaje del ventilador.

Ya que esté sujetado el soporte de montaje a la caja de salida y capaz de apoyar el ventilador, usted está listo para colgar el ventilador. Agarrar el ventilador firmemente con las dos manos. Deslizar el tubo por la abertura del soporte de montaje y dejar que se detenga la bola en el soporte de montaje. Girar la bola que sirve para colgar hasta que la ranura de la bola se alinee con la parte saliente del soporte de montaje.

ADVERTENCIA: el no alinear la ranura en la bola que sirve para colgar con la parte saliente del soporte de montaje puede causar lesiones graves o la muerte.

Sugerencia: solicitar ayuda de otra persona para mantener sujeta la escalera y para que le suba el ventilador cuando usted ya esté preparado en la escalera para colgarlo.



6. Instalación eléctrica.

ADVERTENCIA: apagar los cortacircuitos en el panel de electricidad que suplen corriente a la caja de salida y asegurarse de que el interruptor de luz esté APAGADO.

PRECAUCIÓN: asegurarse de que la caja de salida esté conectada a tierra como es debido y que exista un conductor a tierra (**VERDE** o pelado).

Asegurarse de que toda conexión eléctrica cumpla con los Códigos o las Ordenanzas Locales y el Código Nacional Eléctrico. Si usted no está familiarizado con la instalación eléctrica o los cables de la casa/el edificio son de colores diferentes a los cuales se refieren a continuación, favor de consultar a un electricista calificado.

Nota: si la longitud del alambrado que sale del ventilador es demasiado, se puede cortar al largo deseado y luego pelar 12,7 mm del aislamiento.

Localizar 3 sujetadores "quick connect" en uno de los paquetes de artículos de ferretería.

Una vez que el ventilador esté sujeto en el soporte de montaje, se puede hacer la instalación eléctrica con los sujetadores provistos:

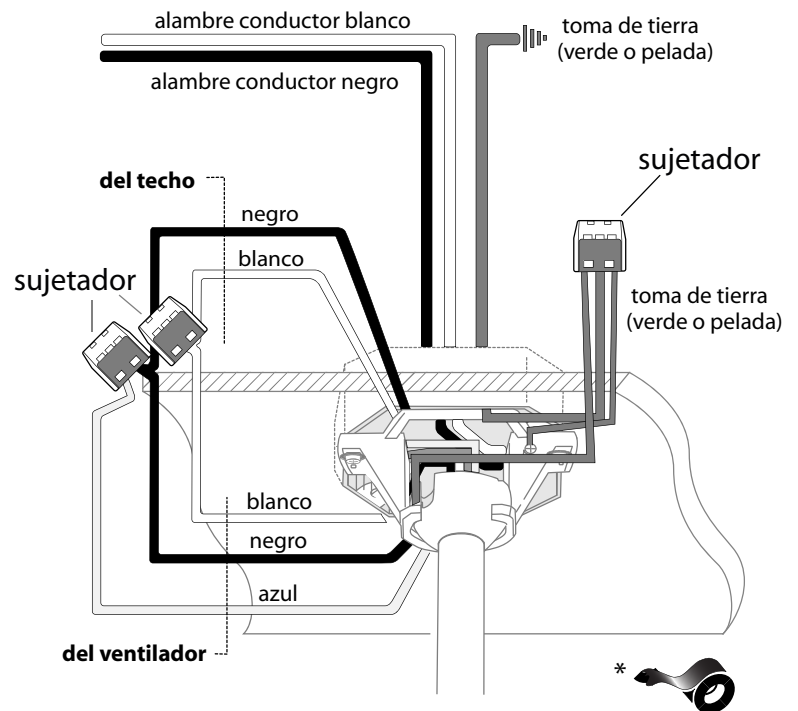
Meter el cable **NEGRO** que sale del techo dentro del sujetador. Luego, meter el cable **NEGRO** y el **AZUL** del ventilador hacia el mismo sujetador.

Meter el cable **BLANCO** del techo dentro del sujetador. Meter el cable **BLANCO** del ventilador dentro en el sujetador hacia el mismo sujetador.

Meter el cable **PELADO/VERDE** del techo dentro del sujetador. Meter en el cable **TIERRA (VERDE)** del ventilador hacia el mismo sujetador.

* Como una medida de seguridad adicional, envolver cada sujetador por separado con cinta aisladora.

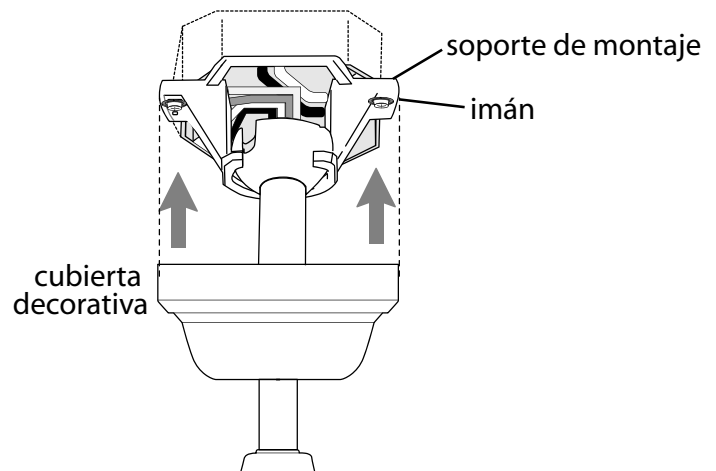
IMPORTANTE: jalar cada uno de los cables para asegurarse de que estén fijos en el sujetador.



7. Colocación de la cubierta decorativa.

Elevar la cubierta decorativa hasta el cielo y permitir que se pegue al soporte de montaje usando los imanes montados en cada lado de la cubierta decorativa. Cuidadosamente despegar la envoltura de plástico alrededor del protector del tubo.

Nota: si por alguna razón fuera necesario bajar la cubierta decorativa, usar cuidado al pasar la cubierta decorativa por el protector del tubo para que no se raye la superficie de metal.



8. Colocación de las aspas.

ADVERTENCIA: para reducir el riesgo de lesiones corporales graves, NO utilice herramientas eléctricas para ensamblar las aspas. Si aprieta demasiado las aspas, estas podrían agrietarse y quebrarse.

Localizar 15 sujetadores triple C en uno de los paquetes de artículos de ferretería. Alinear los postes de los tornillos para el aspa en uno de los brazos para las aspas con los agujeros en un aspa.

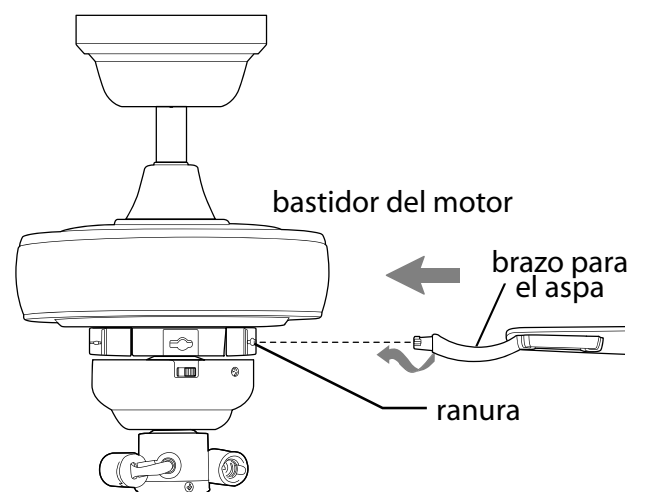
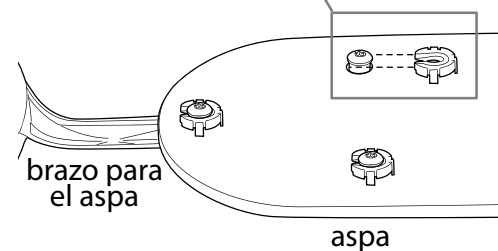
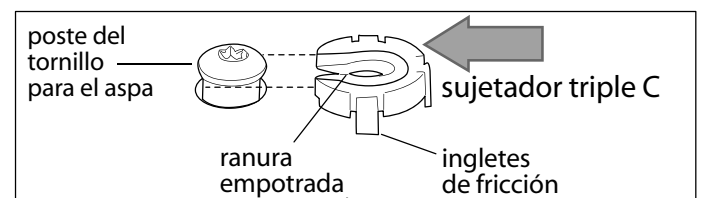
Presionar firmemente en el brazo para el aspa para que los postes de los tornillos para el aspa pasen por los agujeros en el aspa, luego deslizar un sujetador triple C en cada poste de los tornillos para el aspa.

Repetir para cada brazo para el aspa y cada aspa.

ADVERTENCIA: para reducir el riesgo de lesiones personales, asegurarse de que los ingletes de fricción en el sujetador triple C estén boca abajo y la ranura empotrada boca arriba. Deslizar un sujetador triple C debajo de los postes de los tornillos para el aspa para que la ranura empotrada en los sujetadores triple C capturen los extremos de los postes de los tornillos para el aspa.

Introducir la extremidad de un brazo para el aspa en la ranura en el bastidor del motor. Girar el brazo para el aspa en dirección de las manecillas del reloj hasta que se oiga un clic para cerrarlo.

Repetir con los demás brazos para las aspas/aspas.



9. Instalación del juego de luz (optional).

Si desea utilizar el ventilador CON el juego de luz, quitar el adorno con rosca, la placa del adorno con rosca, tuerca hexagonal y la arandela de hule de la parte inferior del conector para el juego de luz. Guardar el adorno con rosca, la placa del adorno con rosca, la tuerca hexagonal y la arandela de hule para uso más adelante. [Referirse al **diagrama 1**].

Instalar tres bombillas LED de base mediana de 6,5 vatios máx. (incluidas). **Importante:** cuando necesite reemplazar las bombillas, favor de dejar que se enfríen la(s) bombilla(s) y la pantalla de vidrio antes de tocarlas.

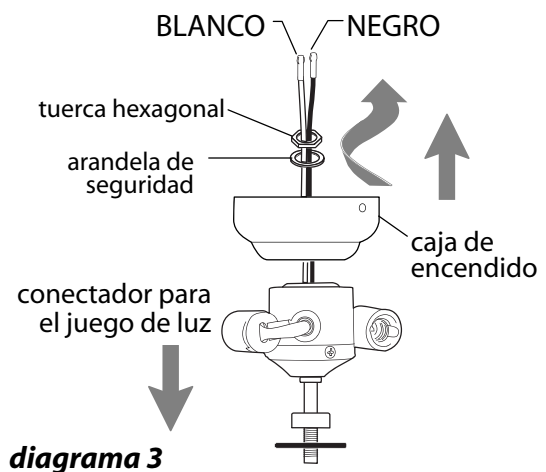
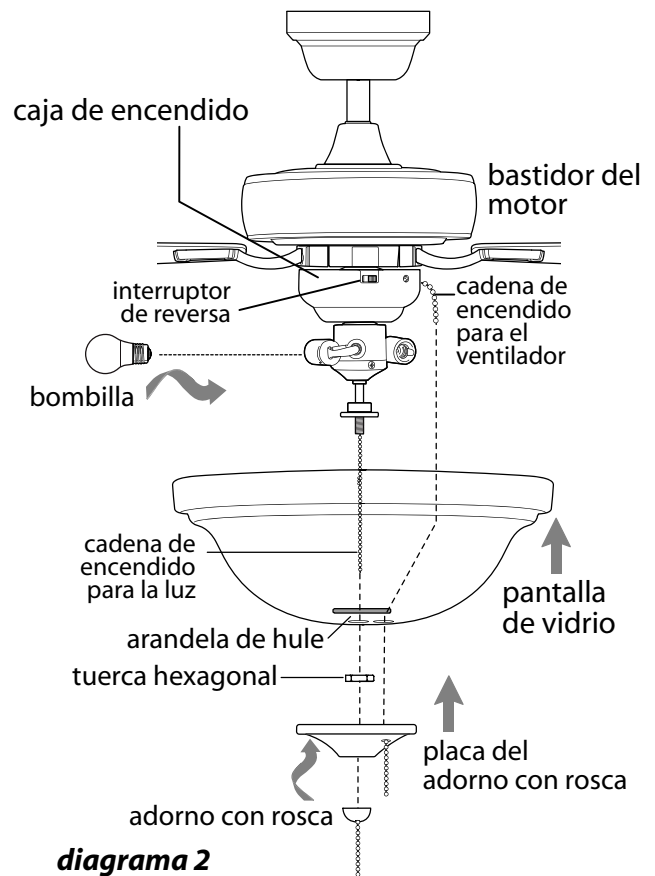
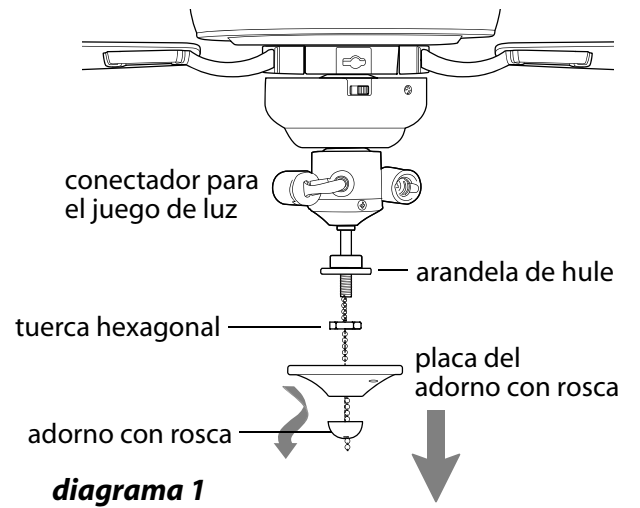
Colocar la arandela de hule dentro de la pantalla de vidrio encima del agujero de en medio. Subir la pantalla de vidrio para pasar las cadenas de encendido por los agujeros correspondientes en la pantalla de vidrio. Alinear la varilla roscada en el conector para el juego de luz con el agujero de en medio de la pantalla de vidrio y empujar desde abajo cuidadosamente, dejando que la varilla roscada pase por el agujero. (Asegurarse de que la cadena de encendido para el ventilador no roce contra la bombilla mientras esté prendido el ventilador.) Fijar la pantalla de vidrio con la tuerca hexagonal y apretar el adorno con rosca. **NO apretar el adorno con rosca demasiado ya que el vidrio se puede rajar o romper.**

Alinear el agujero de en medio de la placa del adorno con rosca con la varilla roscada, dejando que las cadenas de encendido pasen por los agujeros correspondientes en la placa del adorno con rosca, y empujar hacia arriba. Pasar la cadena de encendido de en medio por el agujero en el adorno con rosca y apretar el adorno con rosca. **NO apretar el adorno con rosca demasiado ya que el vidrio se puede rajar o romper.** [Referirse al **diagrama 2**].

Si desea utilizar el ventilador SIN el juego de luz, localizar los cables en la caja de encendido con etiqueta que diga PARA FOR LIGHT KIT CONNECTION (para enchufe del juego de luz). Con cuidado jalar en las conexiones tipo "molex" para desconectar los cables.

Luego, quitar la tuerca hexagonal y la arandela de seguridad de la varilla roscada en la parte superior del conector para el juego de luz. Destornillar la caja de encendido para quitarla del conector para el juego de luz y cuidadosamente pasar los cables NEGRO y BLANCO del conector para el juego de luz por el agujero de en medio de la caja de encendido. [Referirse al **diagrama 3**].

[La "Instalación del juego de luz" continúa en la página siguiente.]



9. Instalación del juego de luz (opcional). (cont).

Localizar la tapa en uno de los paquetes de artículos de ferretería y colocar la tapa firmemente en el agujero en el centro de la caja de encendido.

Alinear los agujeros en la caja de encendido con los agujeros en la placa de conexión. Fijar la caja de encendido con los 3 tornillos que se quitaron anteriormente. Apretar bien los 3 tornillos. [Referirse al **diagrama 4**].

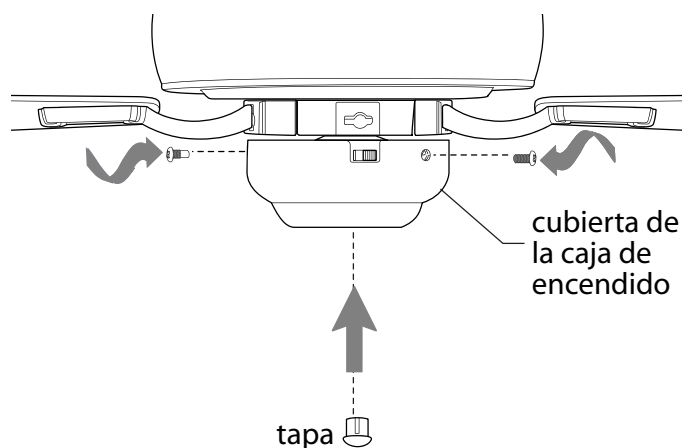


diagrama 4

10. Verificación del funcionamiento del ventilador.

Se le recomienda poner el ventilador a prueba antes de terminar la instalación. Regresar la corriente de electricidad en el cortacircuitos y encender el interruptor de la luz en la pared (si se aplica). Verificar las velocidades del ventilador con la cadena de encendido en la caja de encendido. Empezar en estado de APAGADO (sin movimiento de las aspas). Con el primer tirón el ventilador estará en marcha ALTA. El segundo tirón controla el ventilador para que se baje a marcha MEDIA. El tercer tirón bajará el ventilador a marcha BAJA. Con el cuarto tirón se APAGARÁ el ventilador de nuevo. Poner a prueba la luz jalando la cadena de encendido de en medio. (**diagrama 1**.) Si el ventilador y/o la luz no funciona(n), favor de referirse a la sección "Localización de fallas" para resolver cualquier asunto antes de comunicarse con el Servicio al cliente.

Apagar el ventilador completamente *antes* de mover el interruptor de reversa. Regularlo para que se circule bien el aire dependiendo de las estaciones del año:

- posición ABAJO en verano (**diagrama 2**)
- posición ARRIBA en invierno (**diagrama 3**)

Un ventilador de techo le permitirá subir el termostato en verano y bajarlo en invierno sin notar una diferencia en su comodidad.

Importante: hay que mover el interruptor de reversa o *completamente* hacia ARRIBA o *completamente* hacia ABAJO para que funcione el ventilador. Si el interruptor de reversa está puesto en la posición *de en medio* (**diagrama 4**), no funcionará el ventilador.

Fijar la(s) extensión(es) para la(s) cadena(s) de encendido provista(s) a la(s) cadena(s) de encendido o usar una(s) hecha(s) a medida (a la venta por separado).

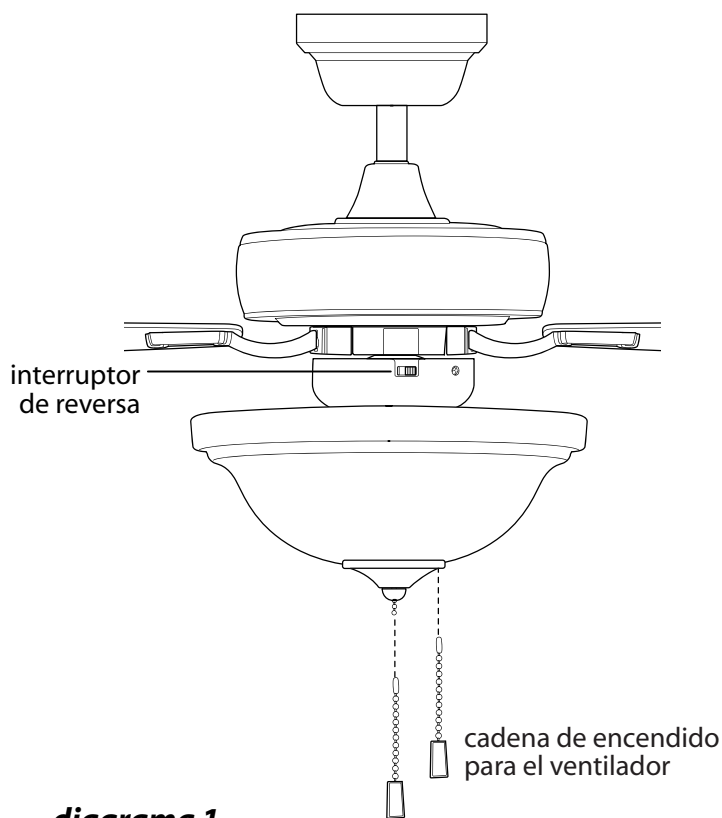


diagrama 1

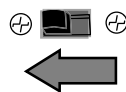


diagrama 2

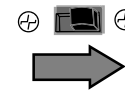


diagrama 3



diagrama 4

Localización de fallas.

ADVERTENCIA: *el no desconectar el suministro de fuerza eléctrica antes de hacer localización de fallas para cualquier problema de instalación eléctrica puede causar lesiones graves.*

Problema: el ventilador no funciona.

Soluciones:

1. Inspeccionar el interruptor de pared del ventilador.
2. Verificar que el interruptor de reversa del ventilador está en una sola posición, no en medio de las dos.
3. Verificar la instalación eléctrica del ventilador.

Problema: el juego de luz (opcional) no se ilumina.

Soluciones:

1. Inspeccionar el interruptor de pared del ventilador.
2. Verificar que se instalaron correctamente las bombillas.
3. Verificar que se hizo correctamente la conexión de cables en la cubierta decorativa.
4. Asegurarse de que se conectaron bien las conexiones tipo "molex" en la caja de encendido.

Problema: el ventilador funciona pero la luz no (si aplica).

Soluciones:

1. Verificar que se instalaron correctamente las bombillas.
2. Verificar que se hizo correctamente la conexión de cables en la cubierta decorativa.
3. Asegurarse de que se conectaron bien las conexiones tipo "molex" en la caja de encendido.
4. Reemplazar bombillas defectuosas con el mismo tipo de bombilla.

Problema: el ventilador se tambalea.

Soluciones:

1. Usar el juego para balancear las aspas incluido en uno de los paquetes de artículos de ferretería. *Si no se incluye un juego para balancear las aspas, llamar al Servicio al cliente, 1-800-486-4892, para pedir uno.*
2. Averiguar que se apretó (apretaron) bien el (los) tornillo(s) de fijación en el cuello del bastidor del motor.
3. Averiguar que se apretó bien el tornillo de fijación en la bola que sirve para colgar.

Piezas de repuesto.

Para piezas o información, referirse al "Inventario de piezas" en la página 3.

Servicio al cliente de Craftmade:

1-800-486-4892

www.craftmade.com

Garantía.

GARANTIA LIMITADA DE POR VIDA DE CRAFTMADE™: CRAFTMADE garantiza este ventilador al comprador original de grupo familiar para uso interior con las siguientes condiciones:

GARANTIA DE 1 AÑO: CRAFTMADE reemplazará o reparará cualquier ventilador que tenga funcionamiento deficiente debido a defectos en los materiales o trabajo manual. Comunicarse con el Servicio al cliente de CRAFTMADE al **1-800-486-4892** para acordar el reenvío del ventilador. Devolver el ventilador, con los gastos de envío prepagados, a Craftmade. Nosotros repararemos o reemplazaremos el ventilador y pagaremos los gastos de envío de regreso.

GARANTIA DE 5 AÑOS: CRAFTMADE reemplazará o reparará sin costo al comprador original, cualquier motor de ventilador que no funcione de manera satisfactoria a causa de uso normal.

DEVOLVER EL MOTOR SOLAMENTE, los gastos de envío prepagados, a Craftmade. Nosotros repararemos el motor al comprador o le enviaremos uno de reemplazo y Craftmade pagará los gastos de envío de regreso.

GARANTIA LIMITADA DE 6 AÑOS hasta DE POR VIDA: CRAFTMADE reparará el ventilador, sin costo al comprador original por el coste laboral, si el motor del ventilador no funciona satisfactoriamente a causa del uso normal. Las piezas que se utilizan en hacer la reparación serán facturadas al comprador a los precios prevalecientes en el momento de la reparación.

El comprador original será responsable de todos los gastos incurridos en sacar, reinstalar y enviar el producto para reparación.

Esta garantía no se aplica cuando el ventilador tenga daños por abuso mecánico, físico, eléctrico o por agua resultando en su mal funcionamiento. Se exenta específicamente el deterioro en el acabado u otras partes debido al tiempo o exposición al aire marino bajo esta garantía.

Ni Craftmade ni el fabricante se harán responsables por lo que pasa por una instalación inadecuada o el uso impropio de este producto. La compañía no se hará responsable en ningún caso de ningún daño emergente por incumplimiento de esta o cualquier otra garantía expresada o implicada en absoluto. Esta limitación de daños emergentes no se aplicará en estados donde es prohibido.

CRAFTMADE™