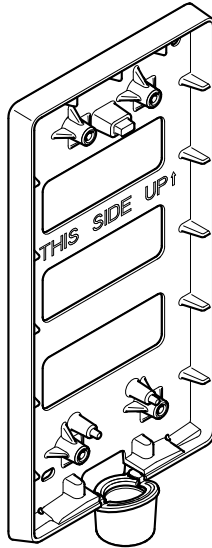
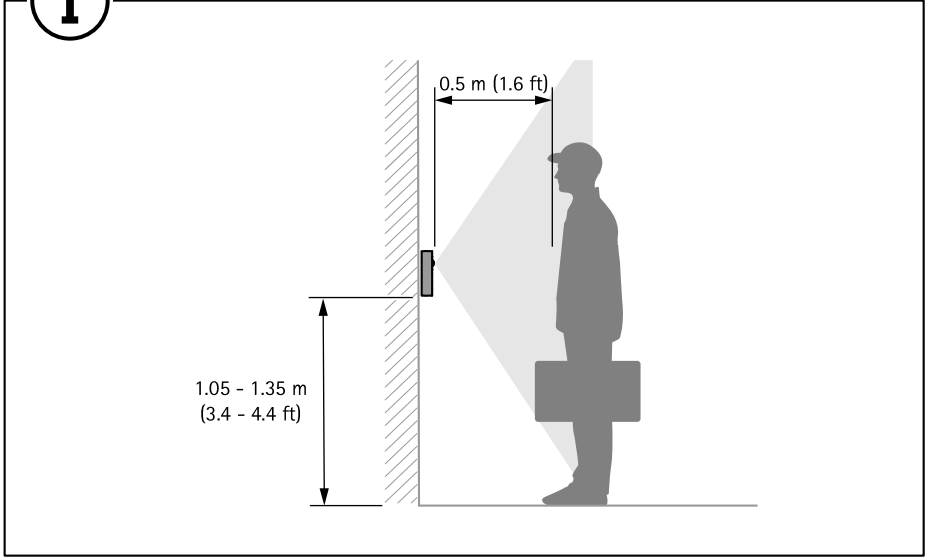
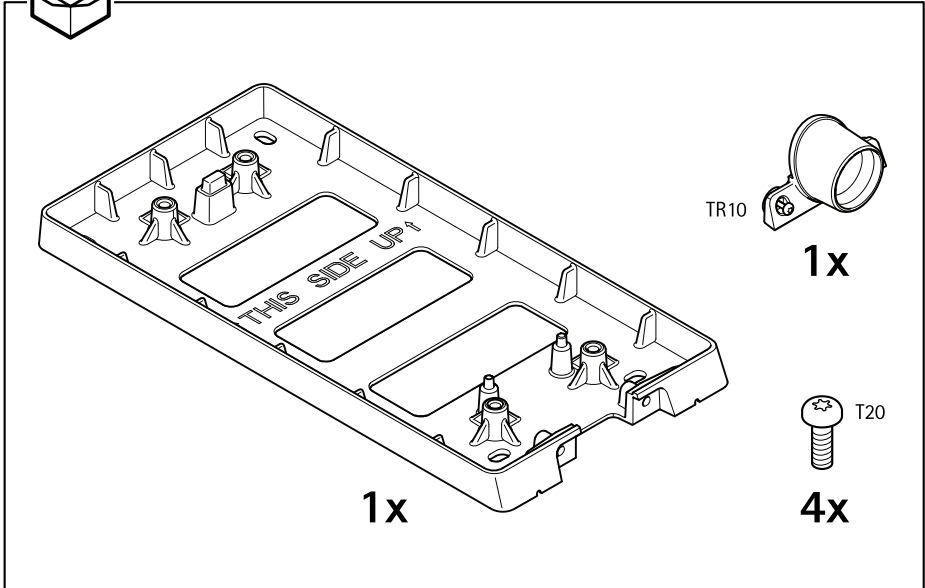
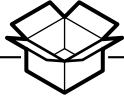


AXIS TI8604 Conduit Adapter 3/4" NPS

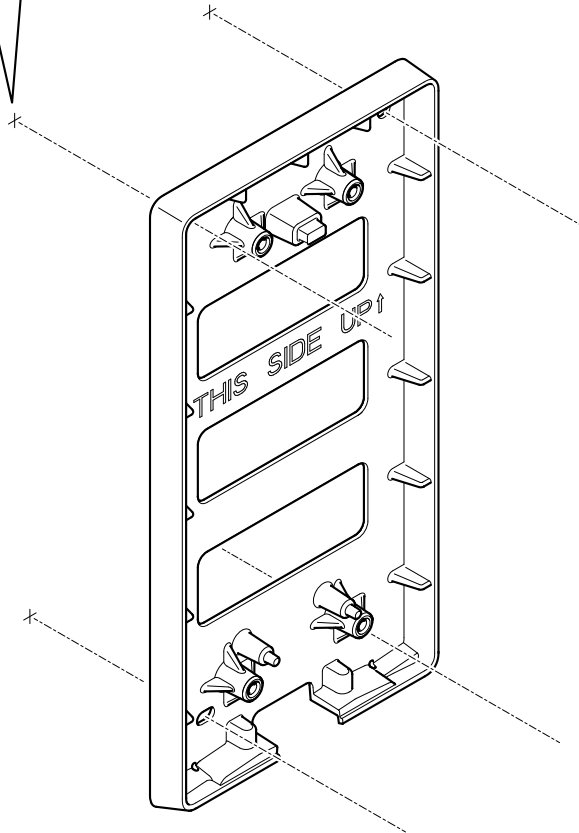
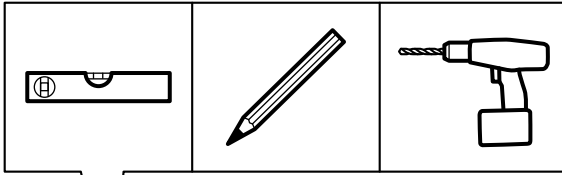


Installation guide

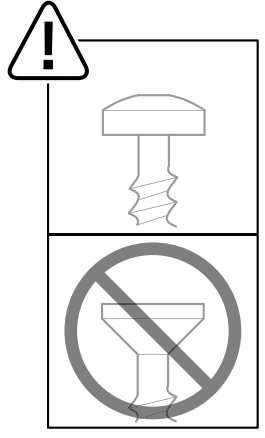
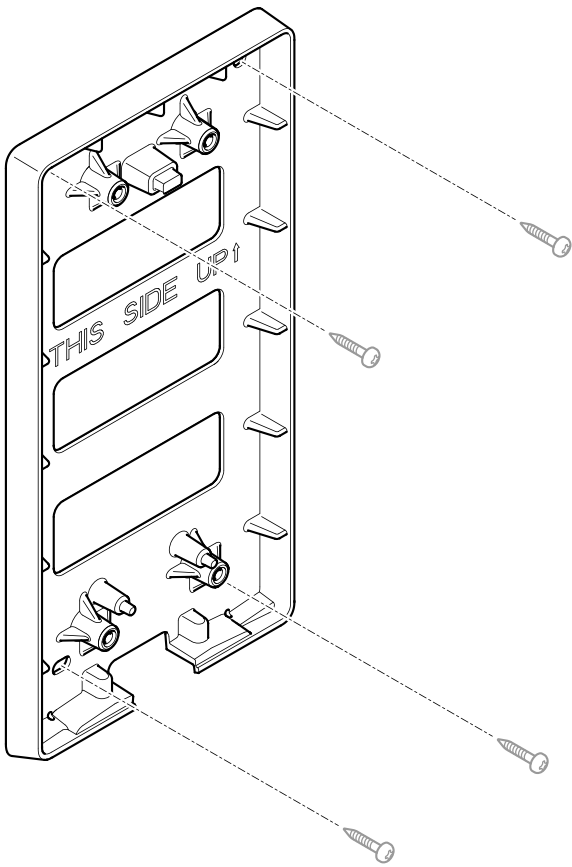
AXIS TI8604 Conduit Adapter 3/4" NPS



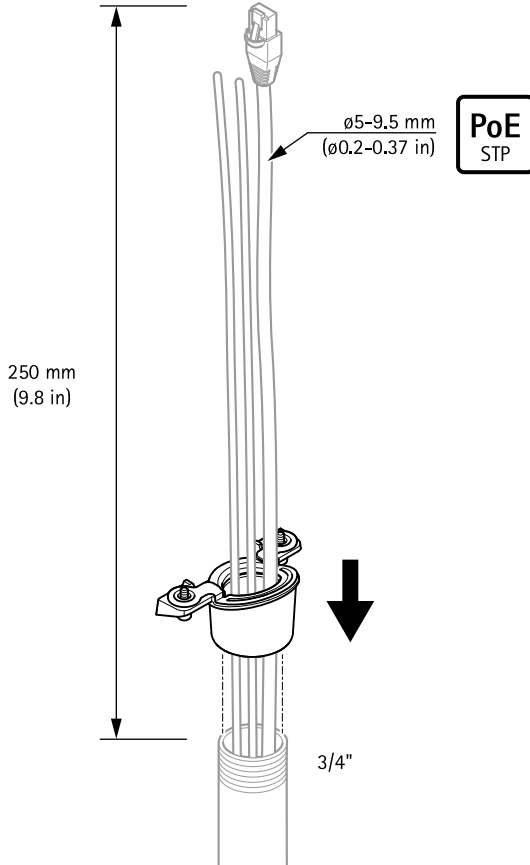
1.1



1.2

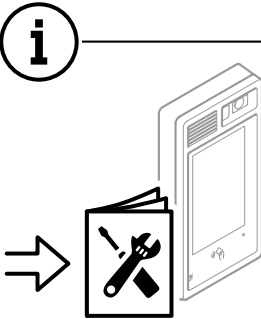


1.3



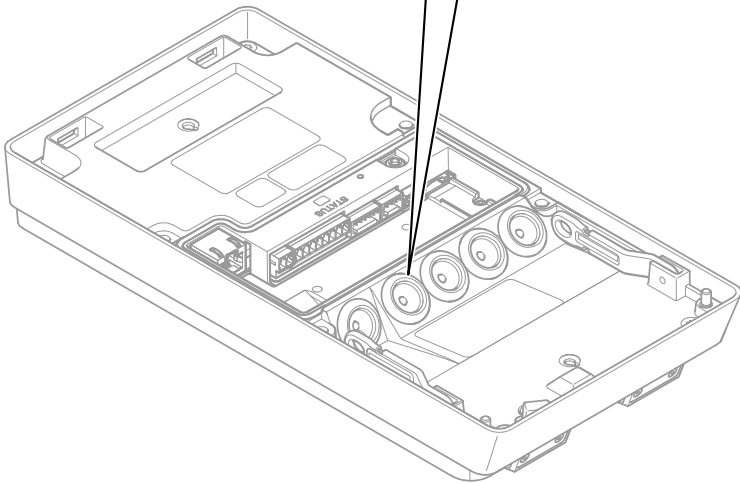
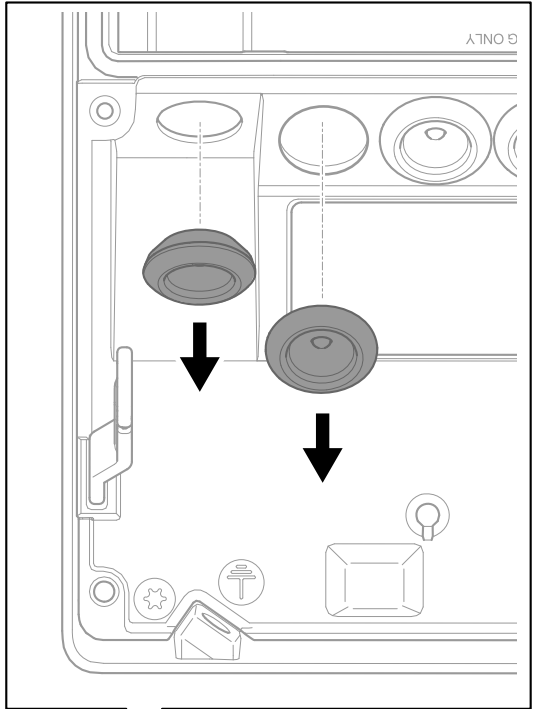
1.4

i

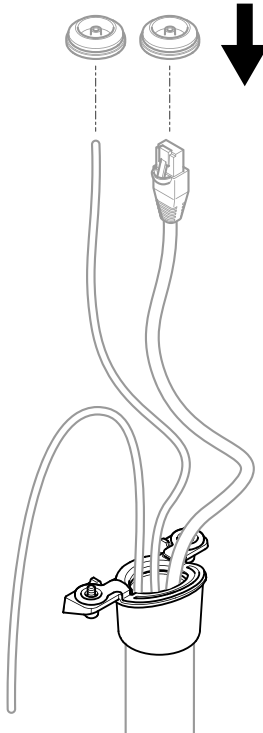
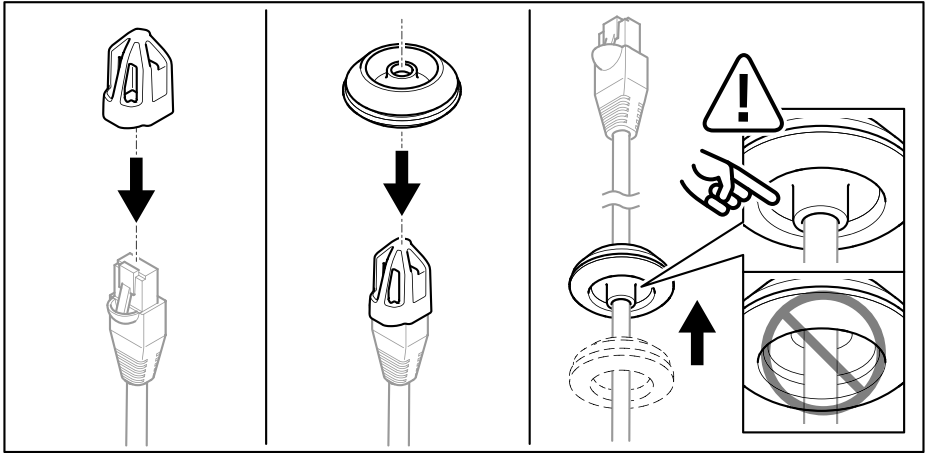


AXIS I8307-VE
Installation guide

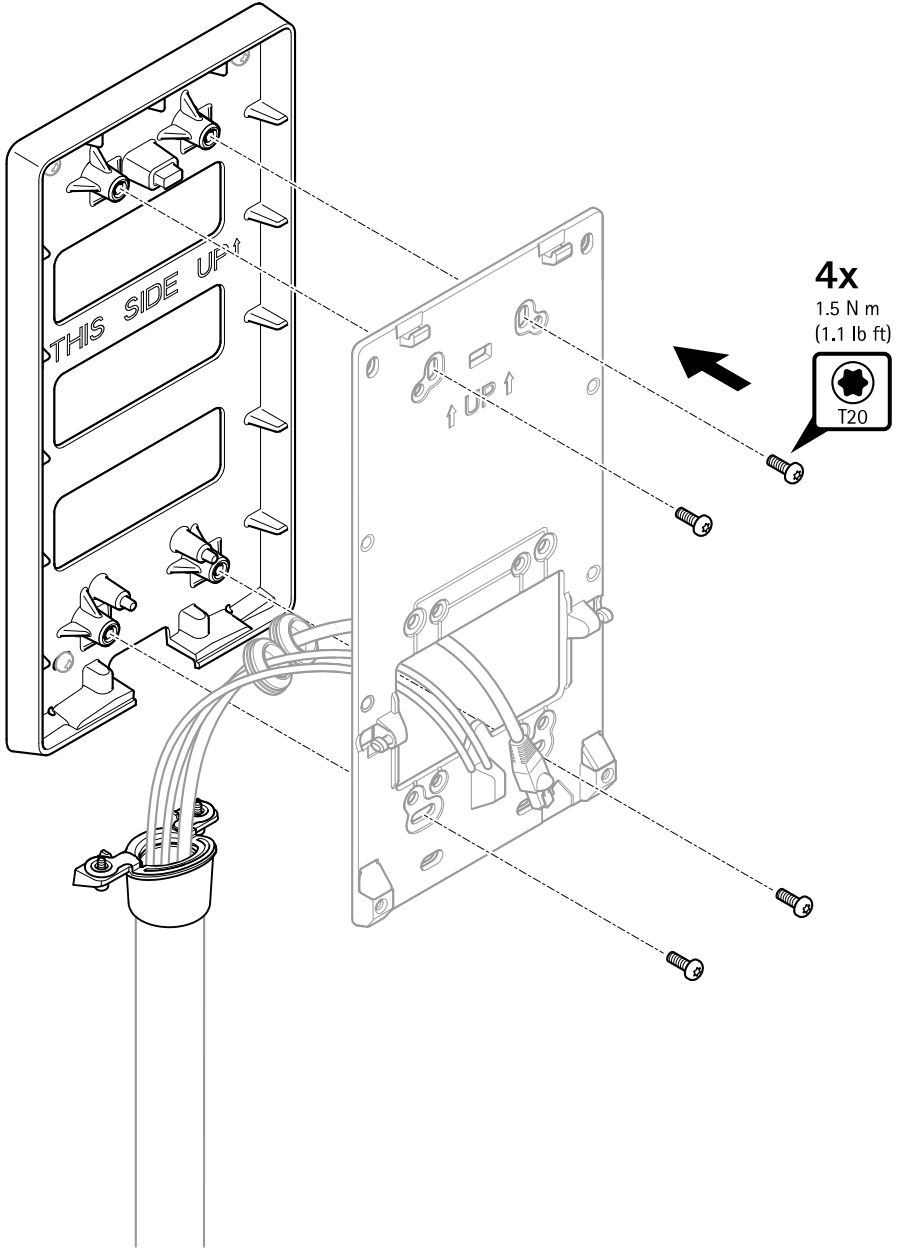
The diagram shows an information icon (a lowercase 'i' in a circle) and an arrow pointing to a document icon representing the installation guide. The document icon features a crossed wrench and screwdriver. To the right of the document is a partial view of the device's front panel.



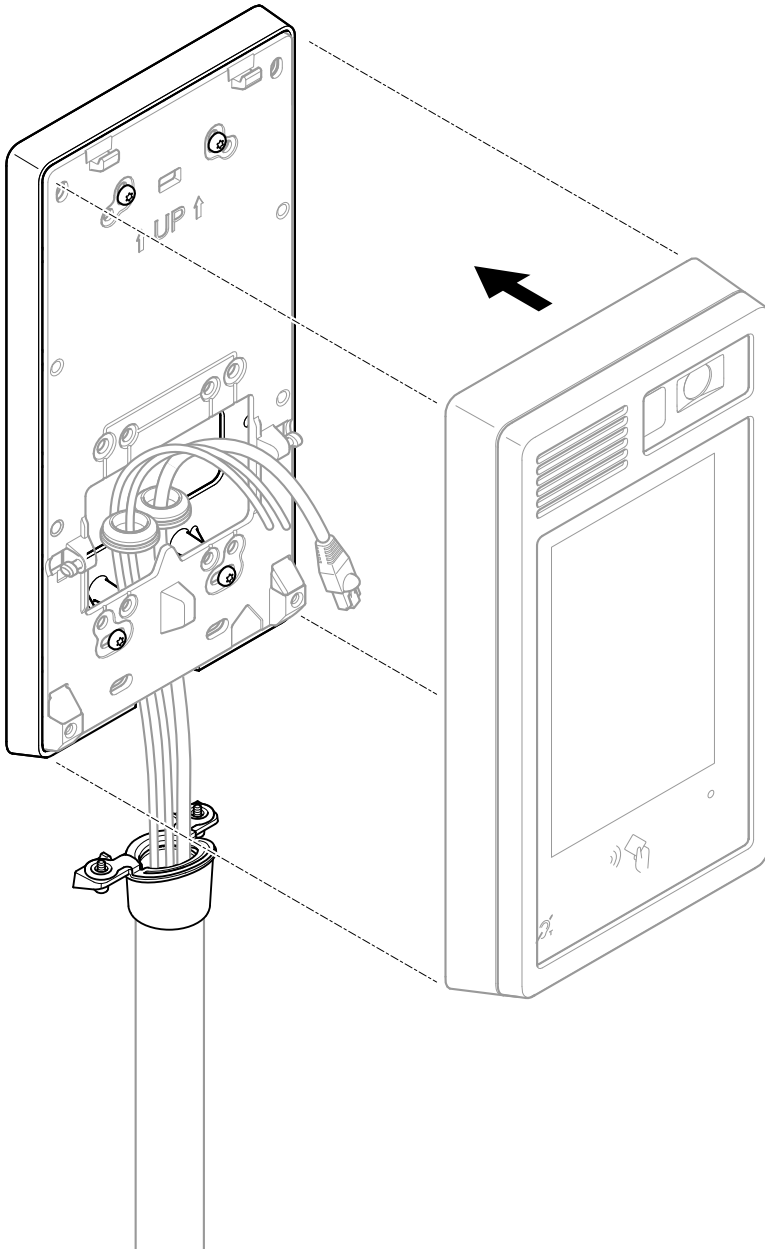
1.5



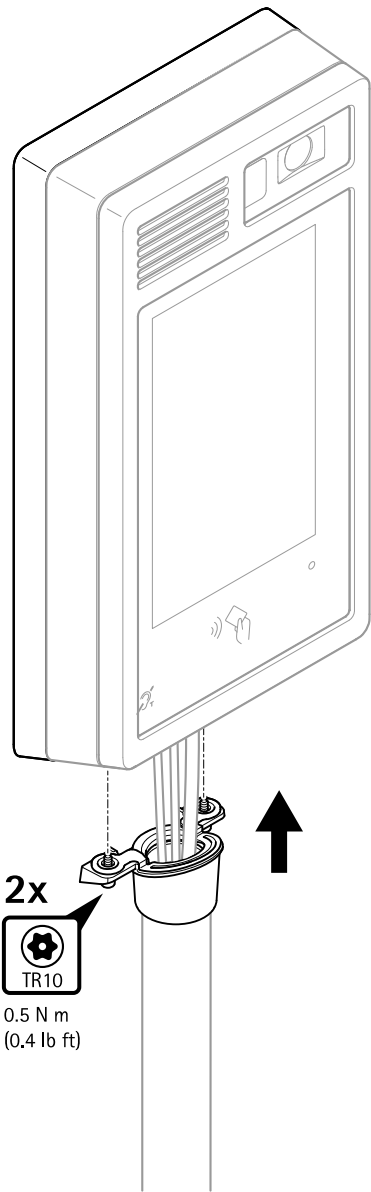
1.6



1.7



1.8





Installation guide
AXIS T18604 Conduit Adapter 3/4" NPS
© 2024 Axis Communications AB

Ver. M1.3
Date: December 2024
Part no. 3117246