



8' x 5' Adams Grill Gazebo

SKU# 2721948



MISSING PARTS? DAMAGED PARTS? DO NOT RETURN TO STORE.
WE CAN HELP YOU FASTER.

Please email : menards@sunwellgarden.com

or leave a message: 1-888-733-8169 Monday-Friday 9AM - 5PM EST

BACKYARD
Creations
®



Thank you for your purchase!

Please carefully unpack and inspect each of the components and hardware. Before assembling, please check the all components against the parts list in the following pages to make sure there are no missing or damaged parts. We suggest you place all components on the floor for easy comparison. Should you have any missing or damaged parts, please contact our Customer Service department listed on first page. Note: Extra spare bolts & screws are included in hardware pack.

For ease of assembly, it is recommended to have 2 or more people and allow enough time to completely finish the assembly. Assembly can take 4-6 hours. A cordless drill and step ladder are recommended for ease of assembly. Please use caution while assembling, and keep children away from the assembly site.

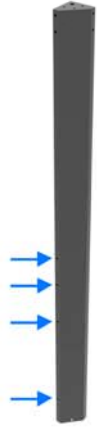
We also recommend watching our assembly video first by scanning the QR code on the right.



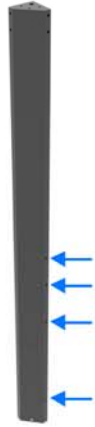
SCAN ME

Frame Parts (A to O)

A1 x 1 pc
(Pillar)



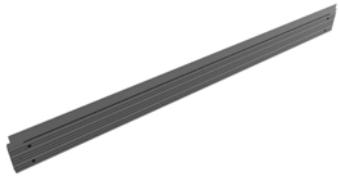
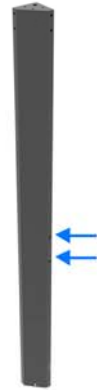
A2 x 1 pc
(Pillar)



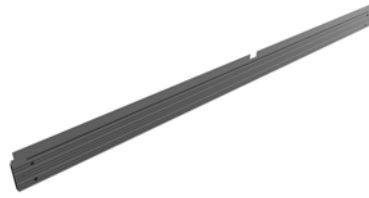
A3 x 1 pc
(Pillar)



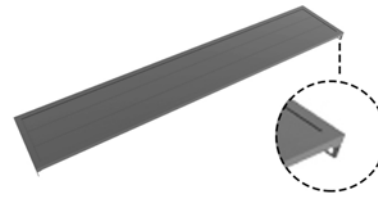
A4 x 1 pc
(Pillar)



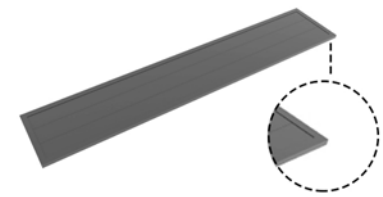
B x 2 pcs
(Crossbeam 1)



C x 2 pcs
(Crossbeam 2)



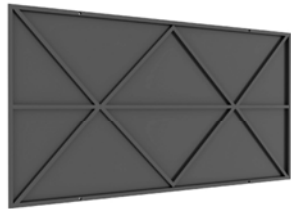
D x 2 pcs
(Shelf)



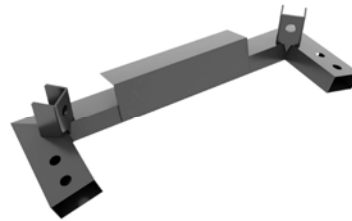
E x 3 pcs
(Storage Shelf Panel)



F x 2 pcs
(Storage side panel)



G x 1 pc
(Storage back panel)



H x 2 pcs
(Roof Support 1)



I x 2 pcs
(Roof Support 2)



J x 4 pcs
(Roof Rib 1)

Frame Parts (K to ^WV)



K x 2 pcs
(Roof Rib 2)



L x 4 pcs
(Roof Support 3)



M x 2 pcs
(Roof Support 4)



N x 2 pcs
(Roof Border 1)



O1 x 2 pcs
(Roof Border 2)



O2 x 2 pcs
(Roof Border 2)



P x 1 pc
(Roof Top Brace)



Q1 x 2 pcs
(Roof Top Rib)



Q2 x 2 pcs
(Roof Top Rib)



R x 2 pcs
(Roof Top Support)



S x 2 pcs
(Roof Top Border 1)



T x 2 pcs
(Roof Top Border 2)

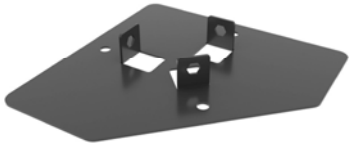


U x 4 pcs
(Roof Top edge Cover)



V x 4 pcs
(Roof edge Cover)

Hardware



**HD1 x 4 pcs
(Foot Base)**



**HD2 x 1 pc
(Shelf Hooks)**



**HD3 x 2 pcs
(Rib Support 2)**



**HD4 x 4 pcs
(Rib Support 1)**



**HD5 x 4 pcs
(Corner Protector)**



**HD6 x 4 pcs
(Mould Layers 3)**



**HD7 x 8 pcs
(Mould Layers 2)**



**HD8 x 4 pcs
(Mould Layers 1)**

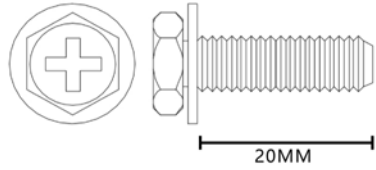


**HD9 x 1 pc
(Roof Top Hook)**

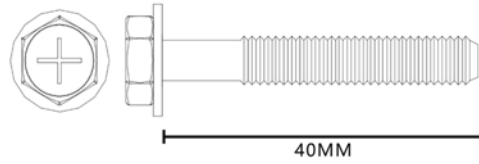


**HD10 x 4 pcs
(Shelf Support)**

Hardware



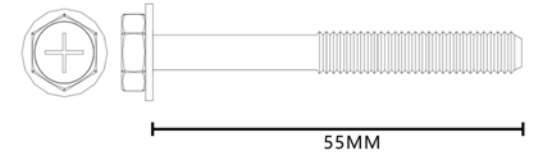
AA (M6*20 Bolt)
x 172 pcs



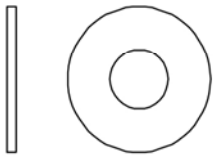
BB (M6*40 Bolt)
x 36 pcs



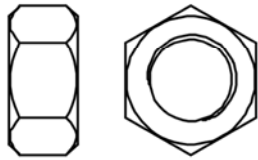
CC (M5*10 Self Tapping Screw)
x 8 pcs



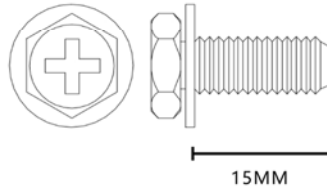
DD (M6*55 Bolt)
x 14 pcs



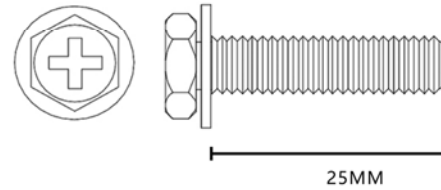
EE (M6 Washer)
x 12 pcs



FF (M6 Nut)
x 12 pcs



GG (M6*15 Bolt)
x 20 pcs



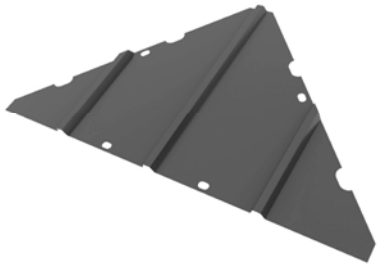
HH (M6*25 Bolt)
x 36 pcs



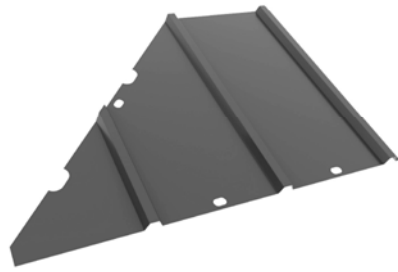
Hex Wrench (M6)
x2 pcs



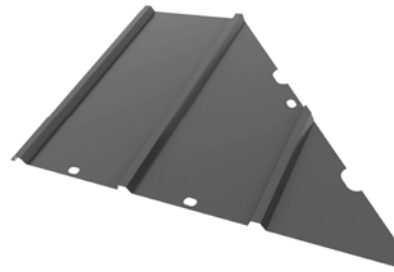
Roof Parts



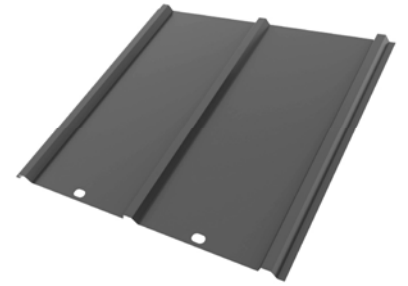
RF1 x 2 pcs



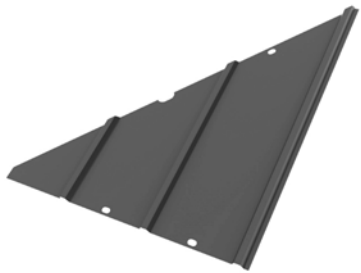
RF2 x 2 pcs



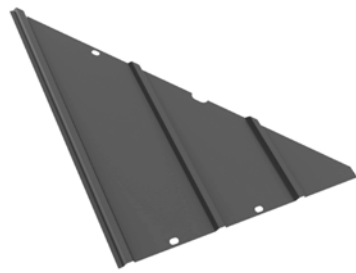
RF3 x 2 pcs



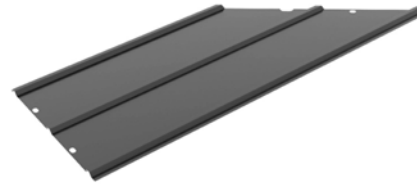
RF4 x 2 pcs



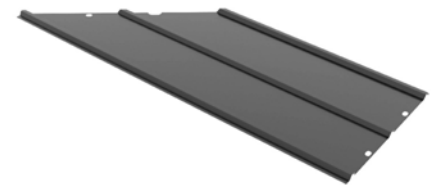
RF5 x 4 pcs



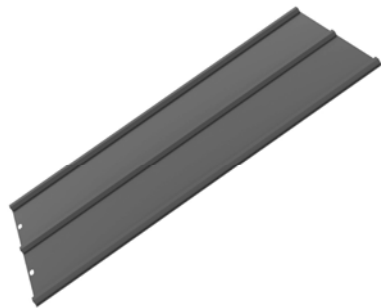
RF6 x 4 pcs



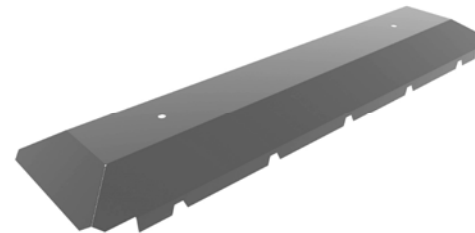
RF7 x 4 pcs



RF8 x 4 pcs



RF9 x 8 pcs



RF10 x 1 pc

STEP# 1



Attach Foot Base (HD1) to the Pillar (A) with 3 pcs Bolts (AA).

Repeat this step to assemble all 4 Foot Bases and Pillars.

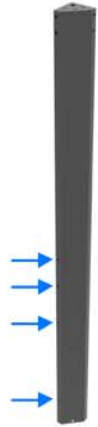
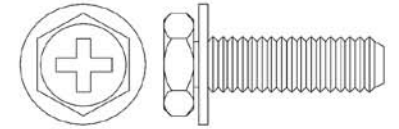
Note: Pillars (A1, A2, A3 and A4) have different threaded holes in different positions (see below blue arrows) to assemble shelves and Storage Cabinet in the following steps.

Note: Foot Bases have spare ground stake holes, please stake foot bases into the ground after assembly.

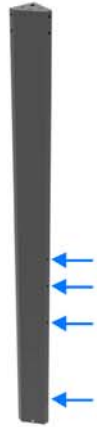
ground stake holes **HD1 x 4**



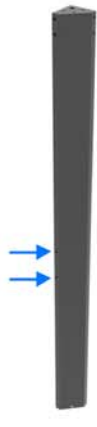
AA x 12



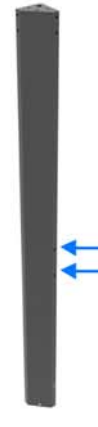
A1 x 1



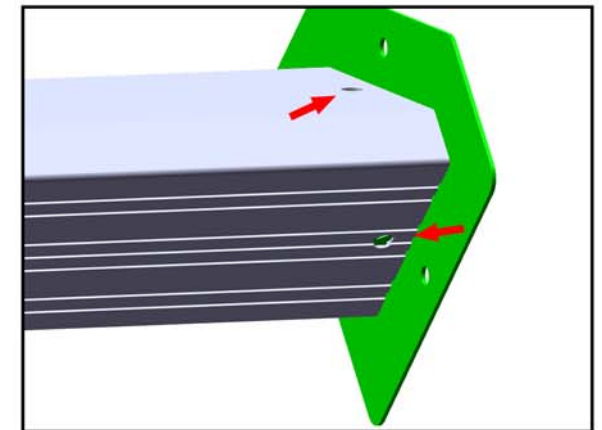
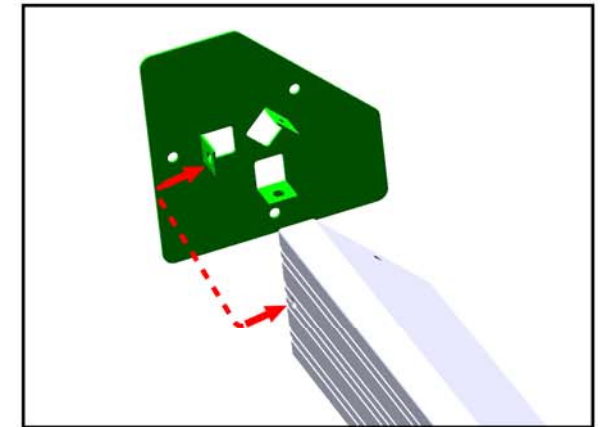
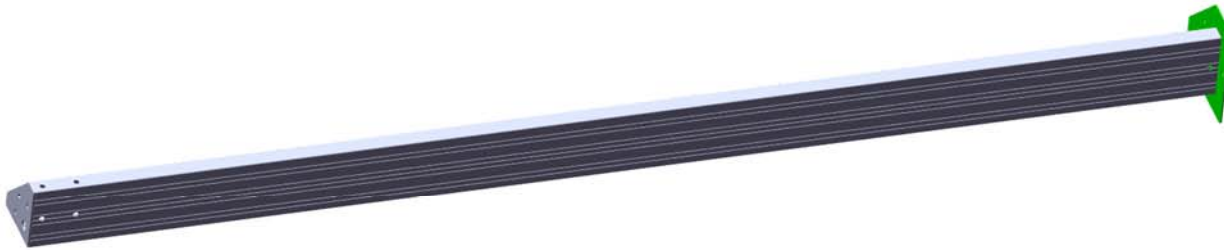
A2 x 1



A3 x 1



A4 x 1



STEP# 2

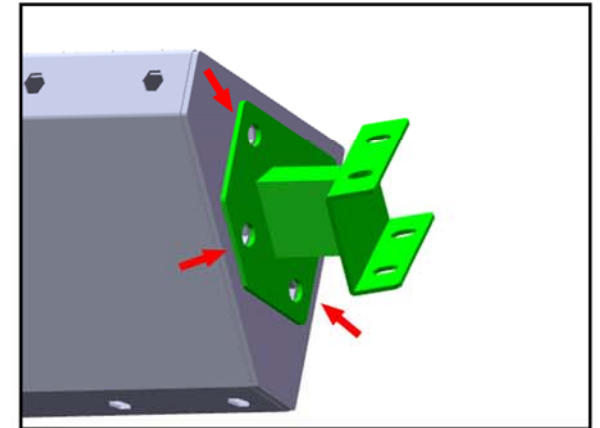
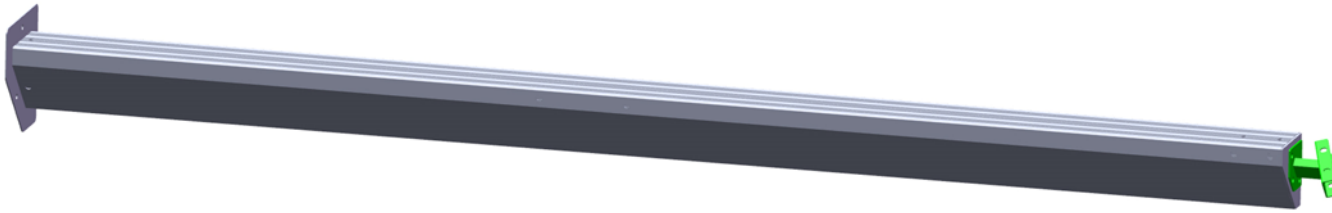
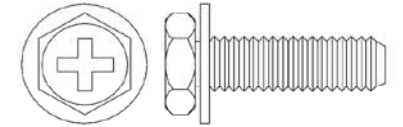


Attach 4 pcs Rib Supports (HD4) on each Pillar with 12 pcs Bolts (AA).

HD4 x 4



AA x 12

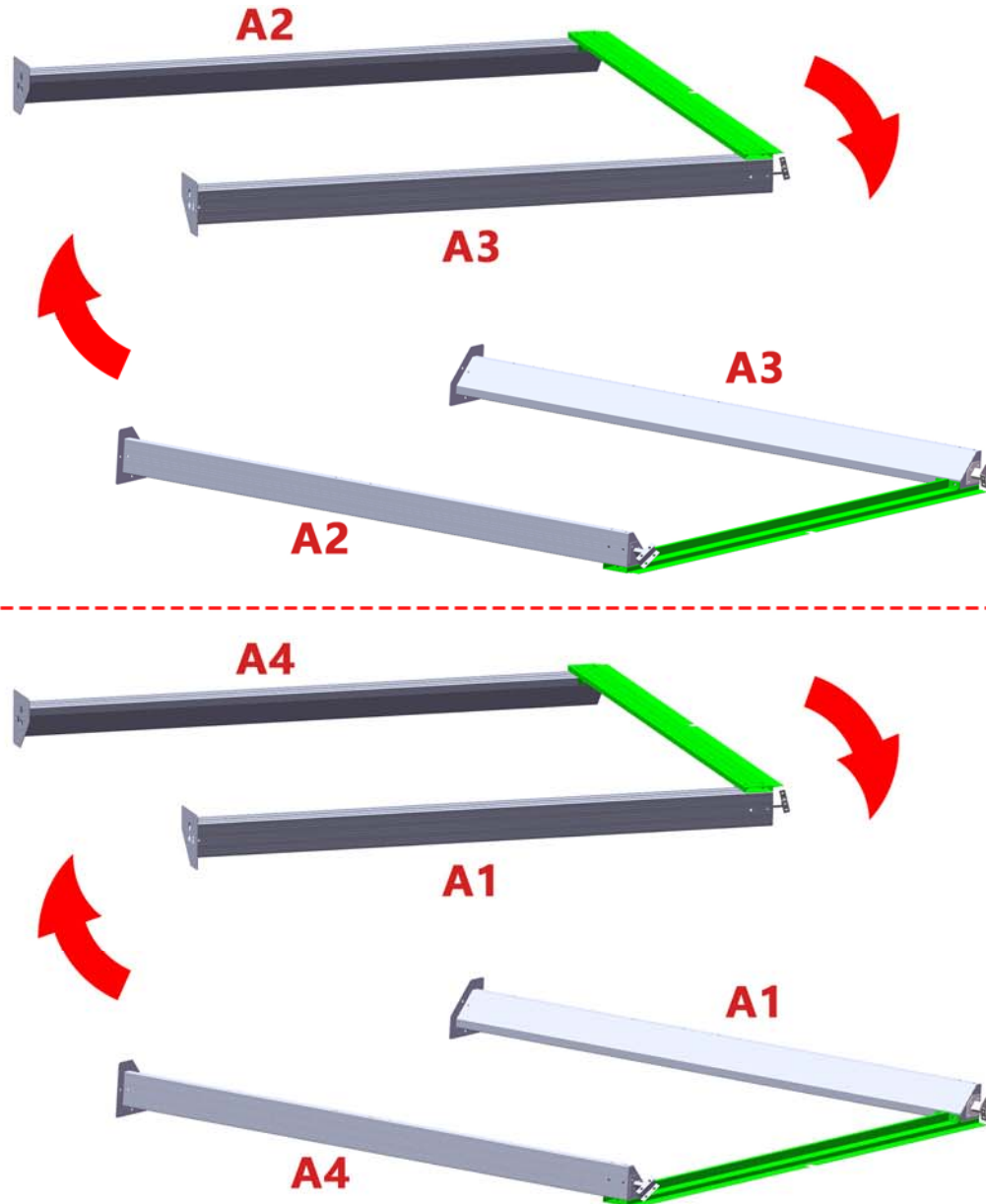


STEP# 3



Put 1 pc Crossbeam (C) on Pillars (A2 and A3) and attach with 4 pcs bolts (BB), then tip it over to attach 4 pcs bolts (HH). Repeat this step with another piece Crossbeam (C) and Pillars (A4 and A1)

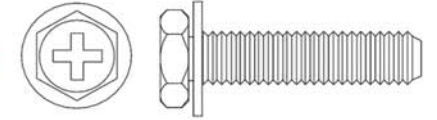
**Do not fully tighten bolts until the entire frame is assembled.*



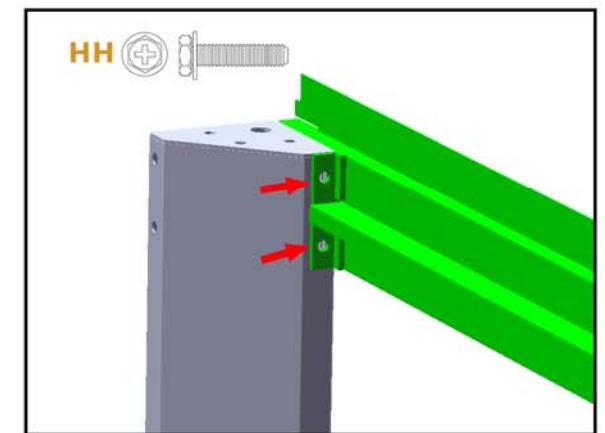
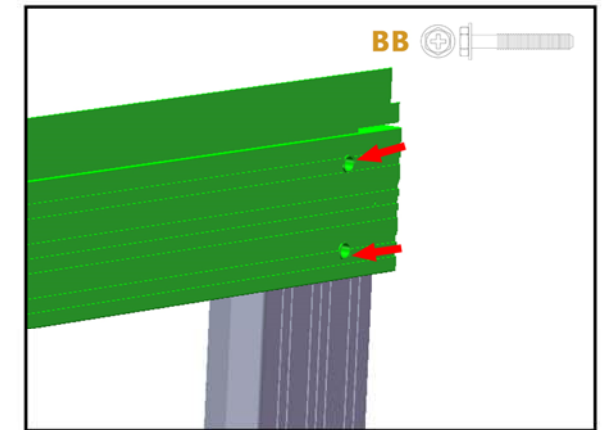
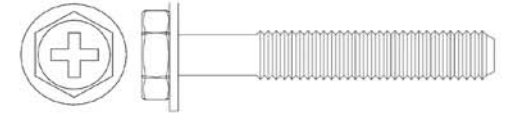
C x 2



HH x 8



BB x 8

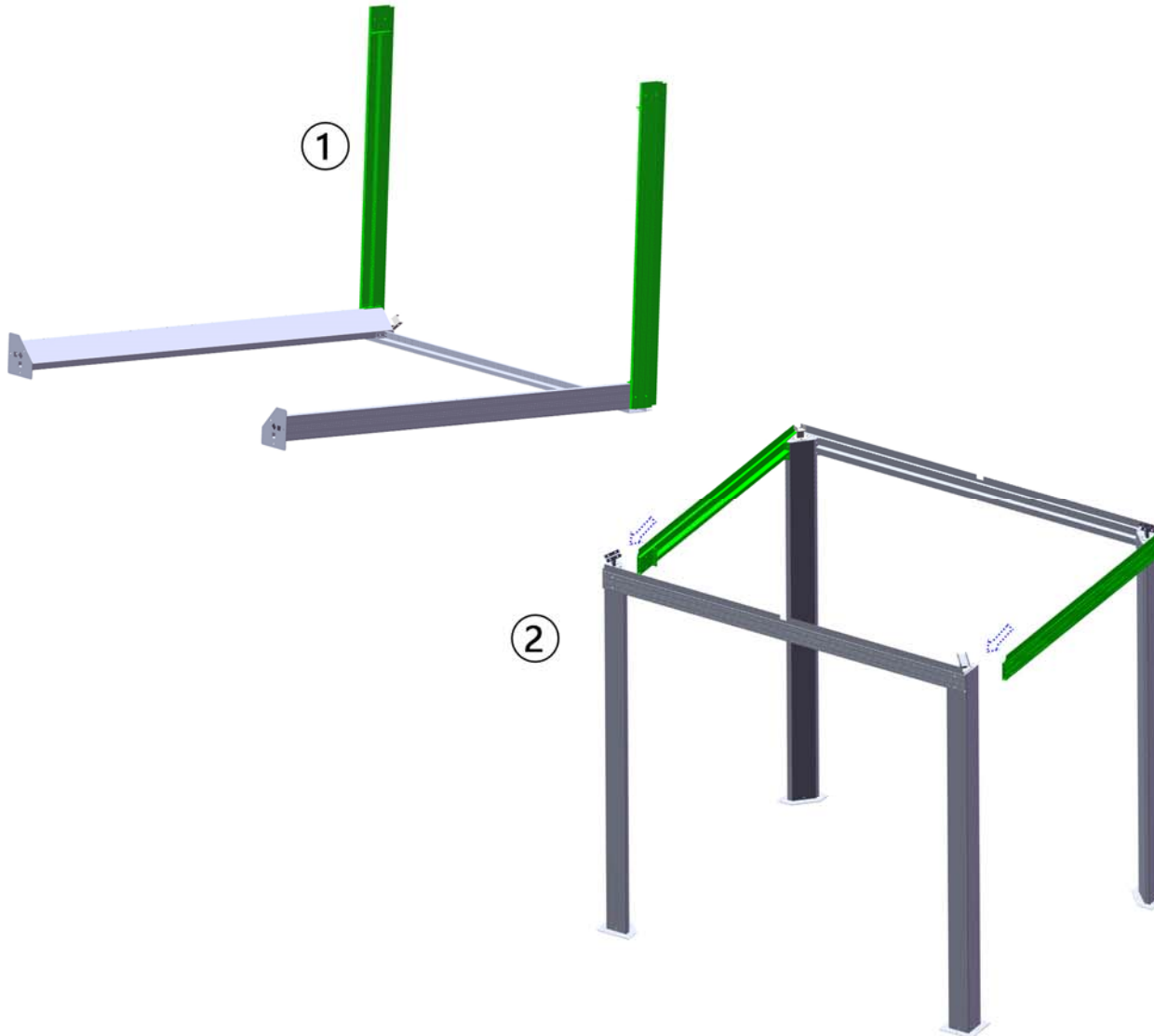


STEP# 4

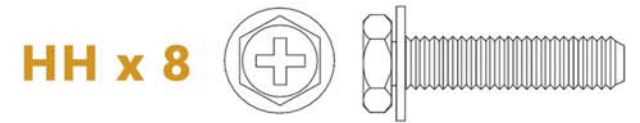


① Attach 2 pcs Crossbeams (B) on one side of partially assembled parts with 4 pcs bolts (BB) and 4 pcs bolts (HH).

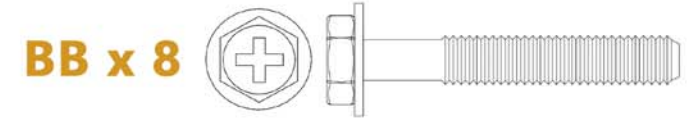
② Stand up two partially assembled parts, and attach together with 4 pcs bolts (BB) and 4 pcs bolts (HH).



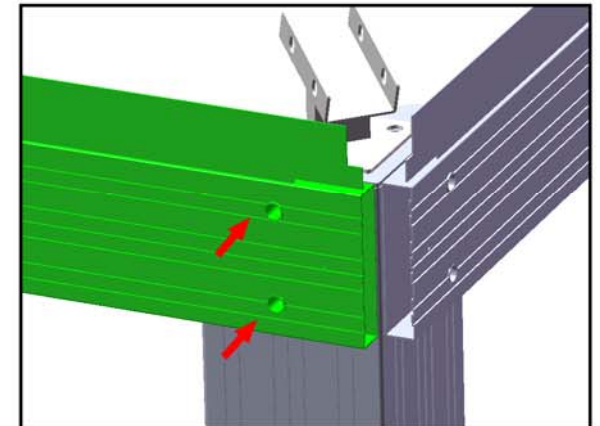
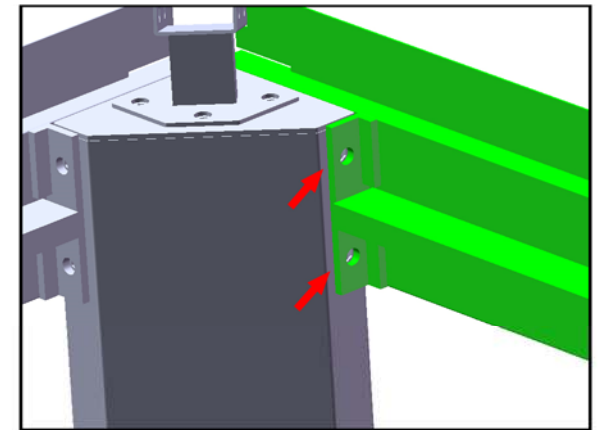
B x 2



HH x 8



BB x 8



STEP# 5



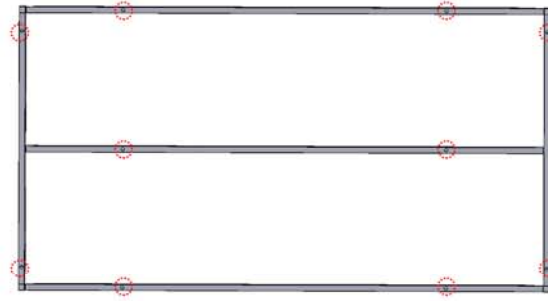
Attach 3 pcs Storage Shelf Panels (E) and 2 pcs Storage Side Panels (F) with 12 pcs Bolts (HH)

Note: Make sure all side threaded holes are on the back side of the shelf.

Front - no holes



Back - 10 holes



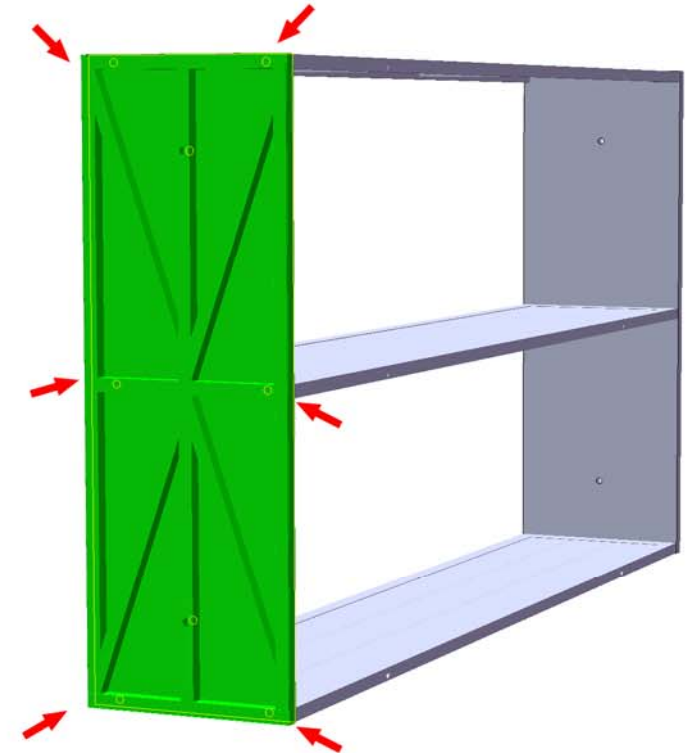
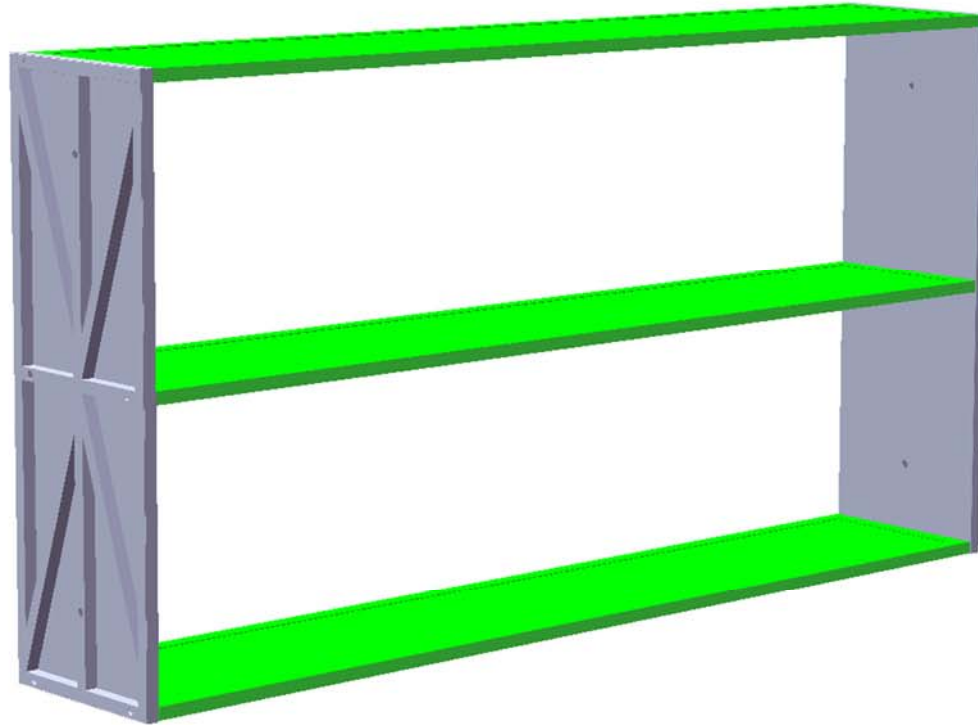
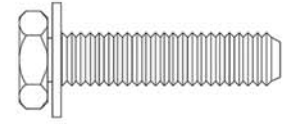
E x 3



F x 2



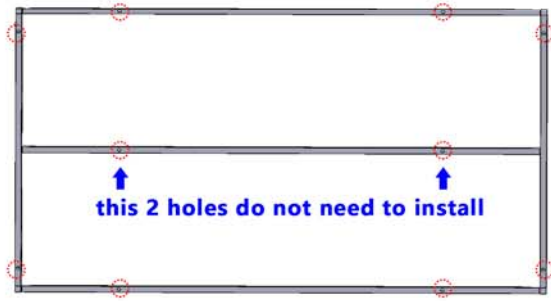
HH x 12



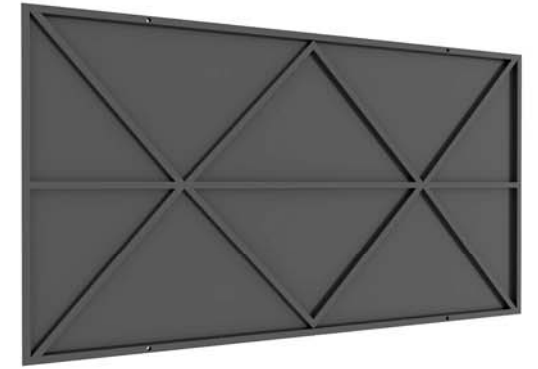
STEP# 6



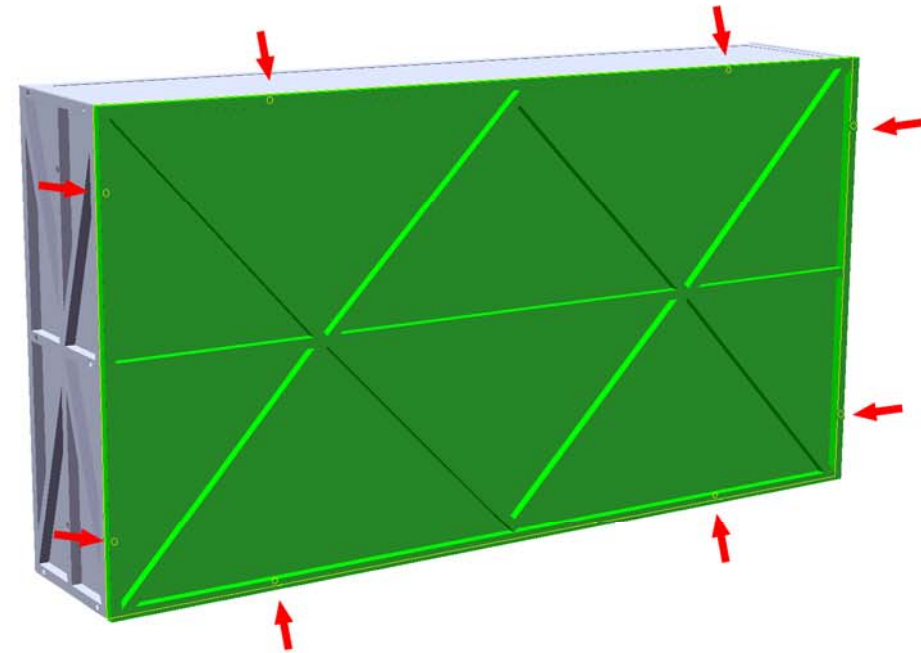
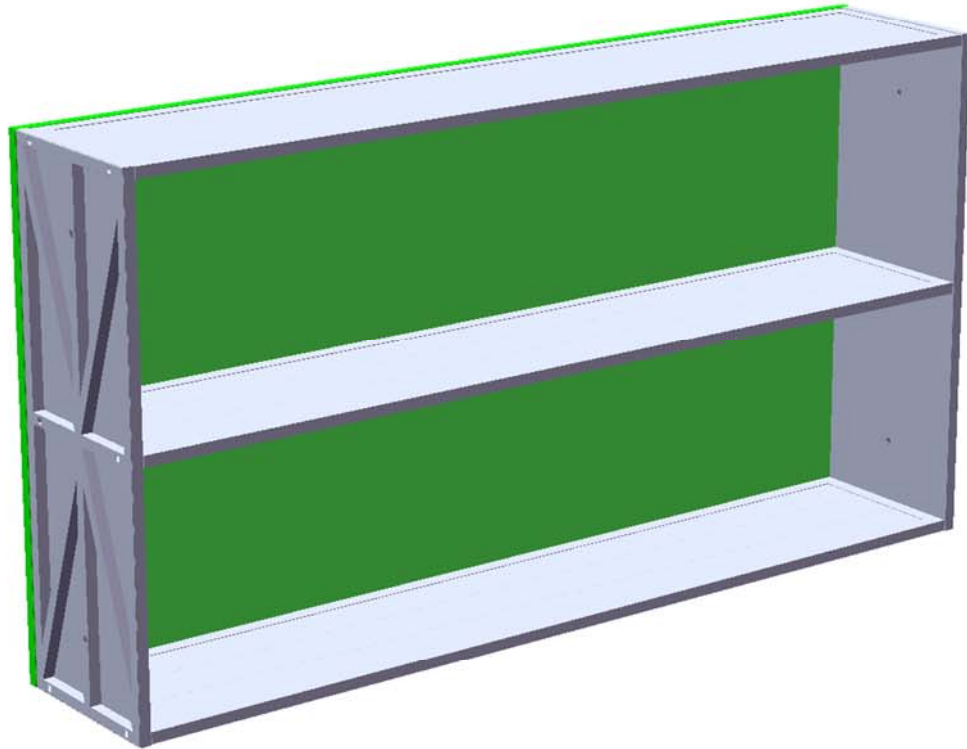
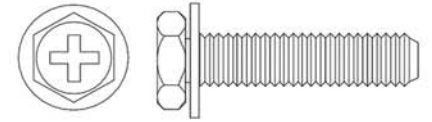
Attach Storage Shelf Back Panel (G) to the back of partially assembled Storage Shelf with 8 pcs Bolts (HH).



G x 1



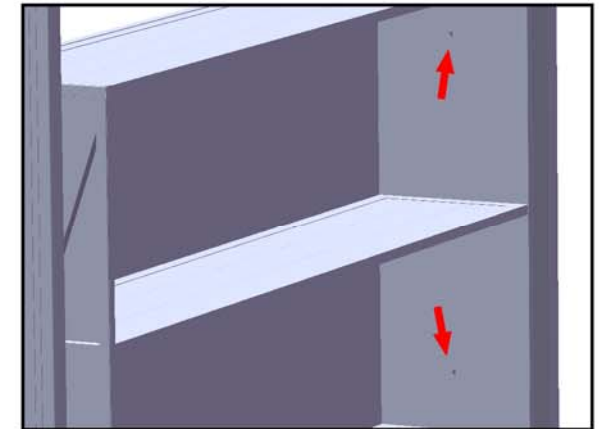
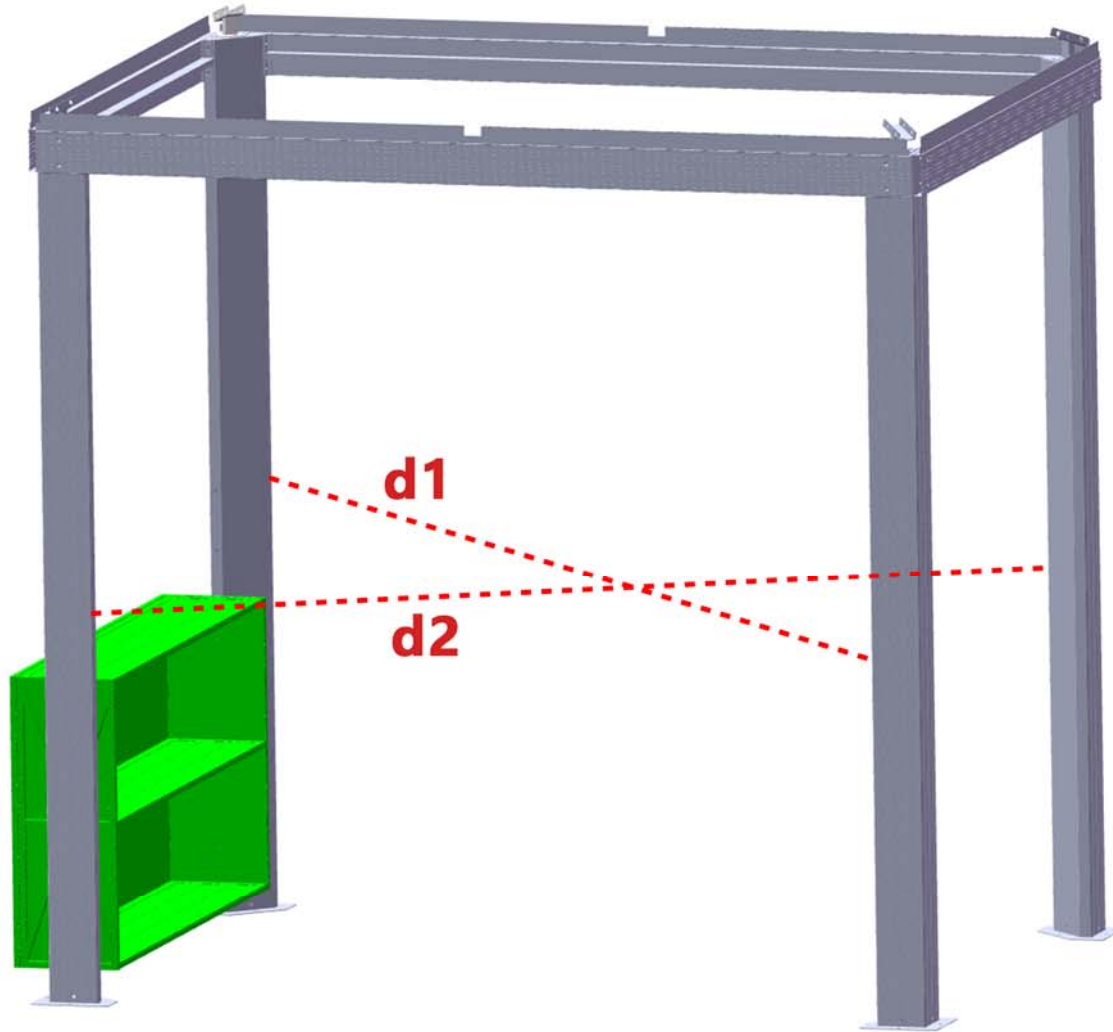
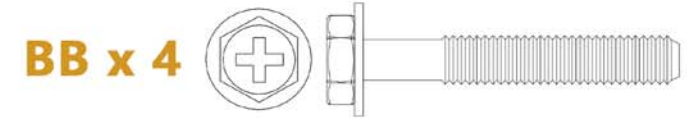
HH x 8



STEP# 7



- ① Measure the diagonal distance between Pillars. Make sure that the length of d1 is the same as d2, then make sure the frame is rectangular. Keep the Crossbeam at right angles to the Pillars, the Pillars at right angles to the ground, and keep the Crossbeam level.
- ② Attach Assembled Storage Shelf to the Pillars with 4 pcs Bolts (BB)



STEP# 8



Attach 2 pcs Shelf (D) using 4 pcs Shelf Supports (HD10) with 8 pcs Bolts (AA) and 4 pcs Bolts (GG).

Attached Shelf Hook (HD2) on one of Shelf with 4 pcs Bolts (GG)

Note: For safety, please place Shelf Hooks facing outward.

***Fully tighten all frame bolts.**

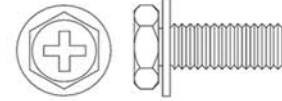
D x 2

HD2 x 1

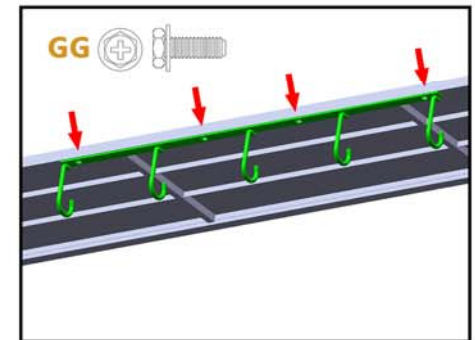
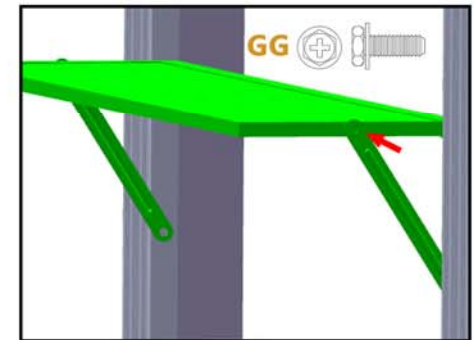
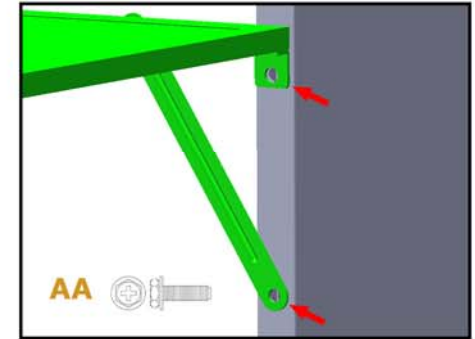
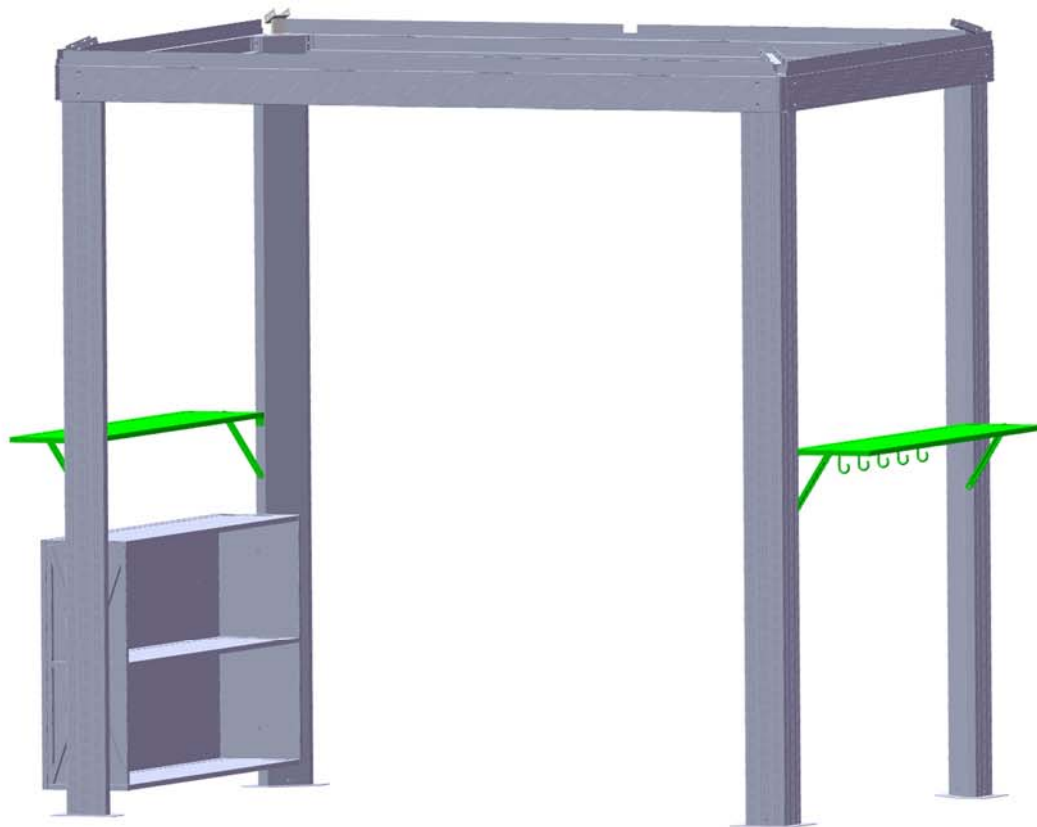
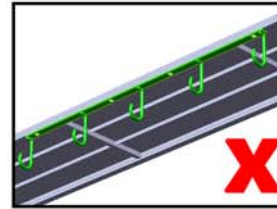
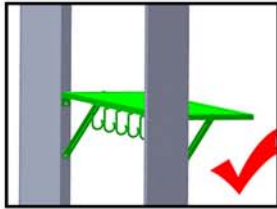
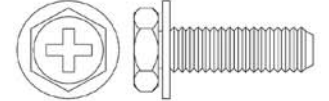
HD10 x 4



GG x 8



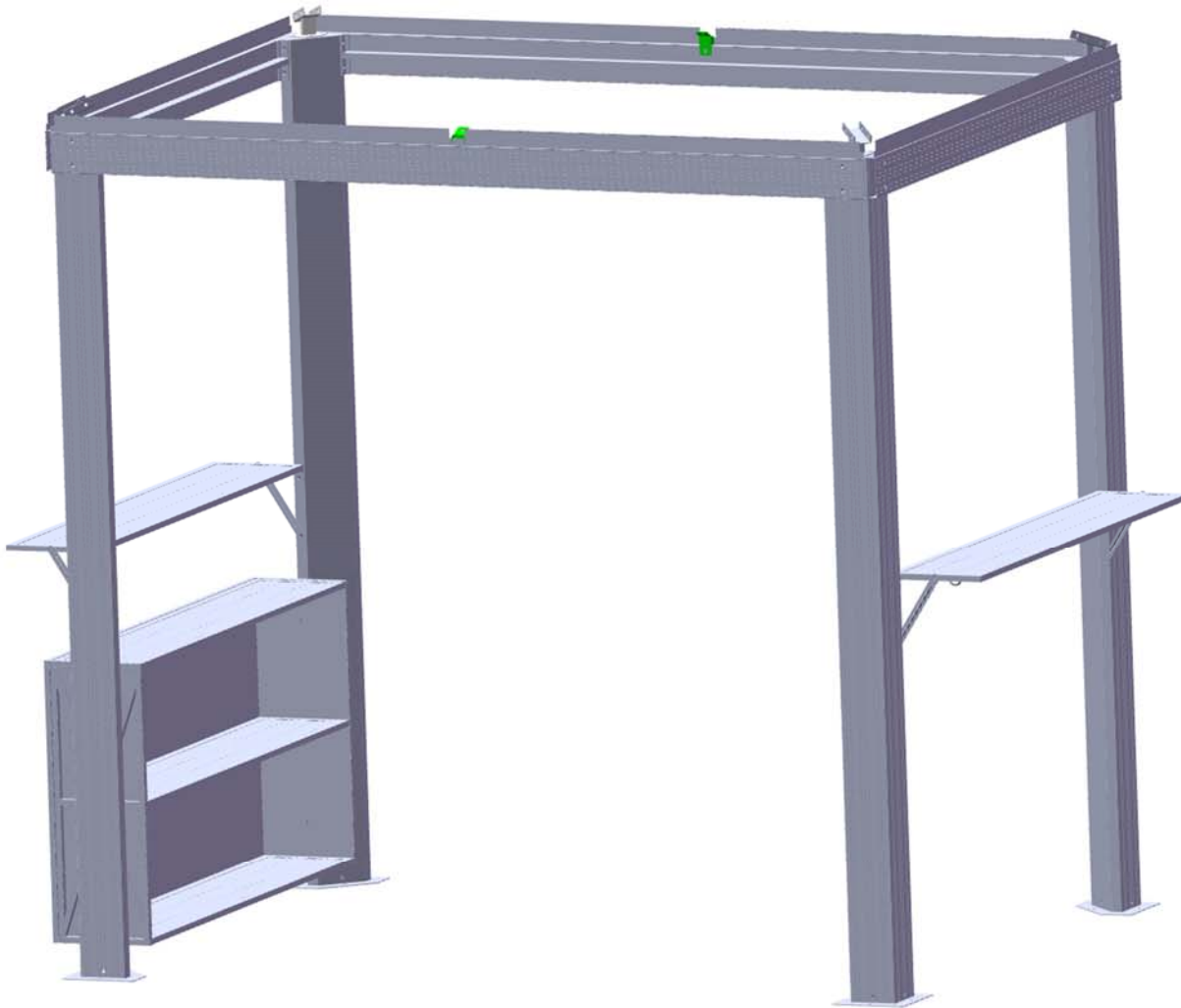
AA x 8



STEP# 9



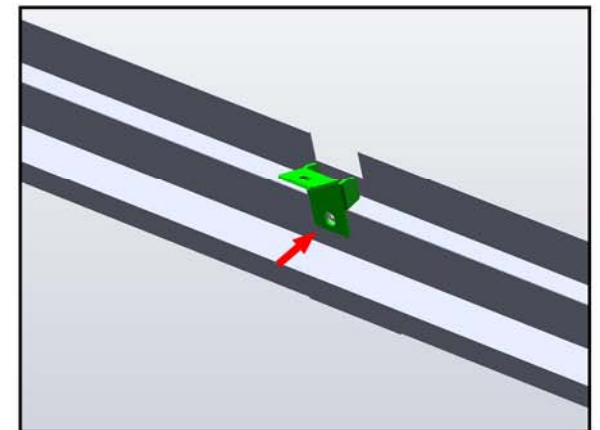
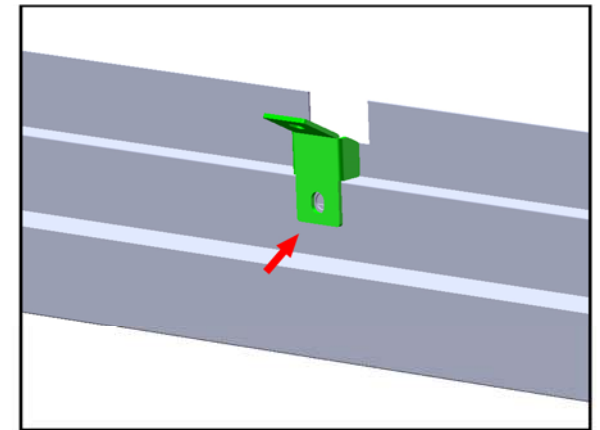
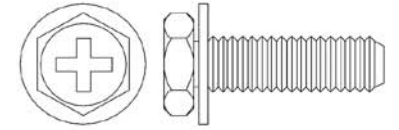
Attach 2 pcs Rib Supports (HD3) to the center parts of Crossbeams (C) with 2 pcs bolts (AA).



HD3 x 2



AA x 2



STEP# 10

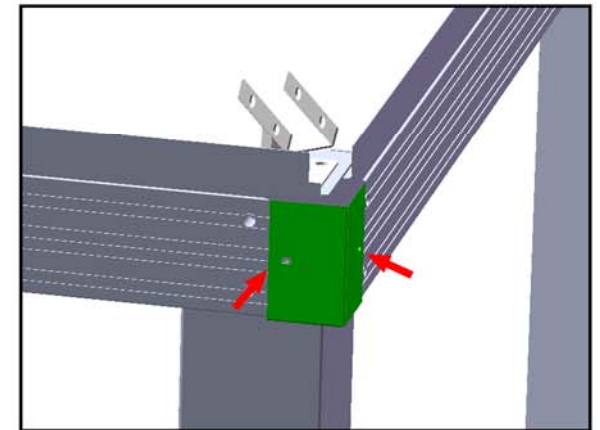
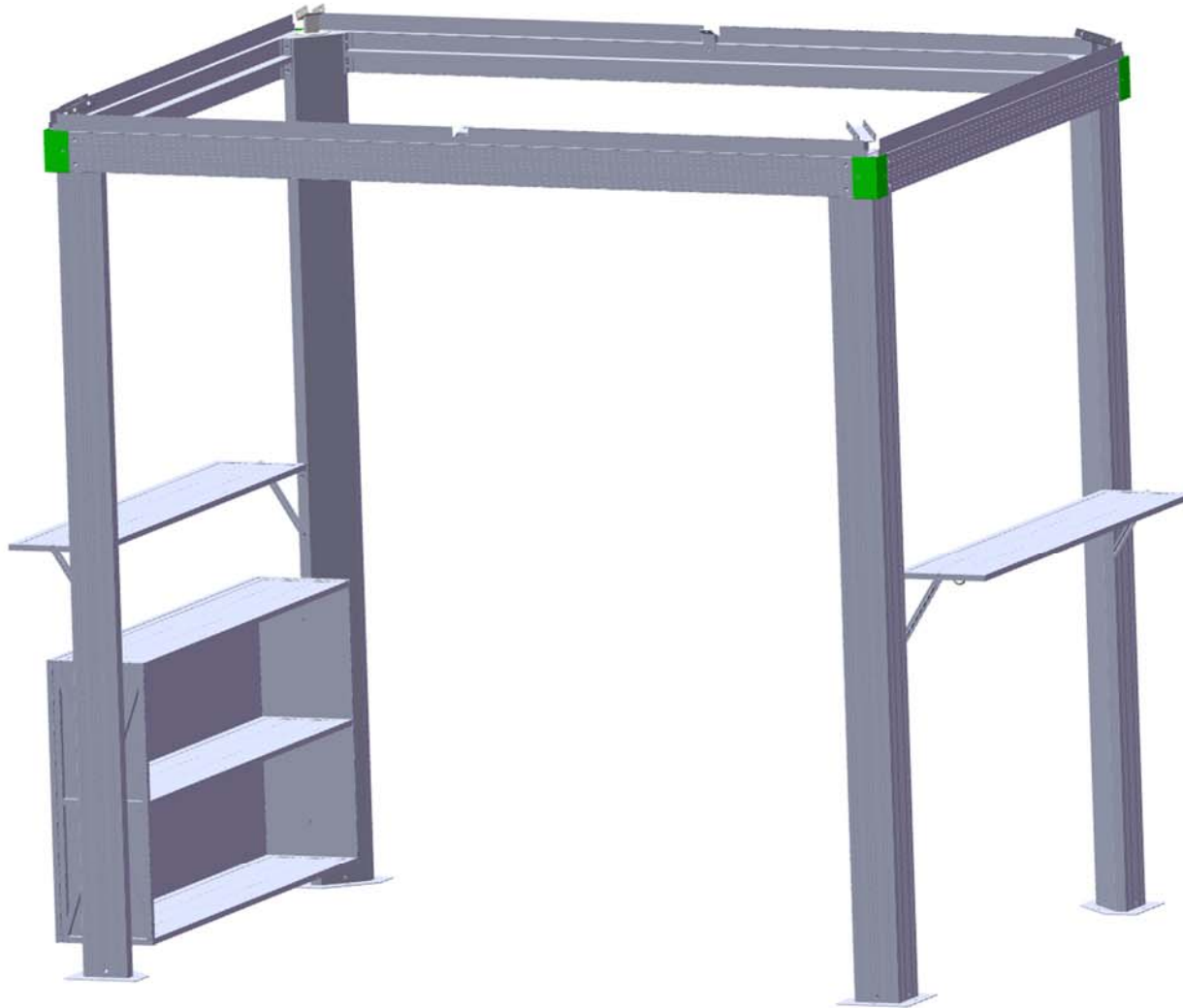


Attach 4 pcs Corner Protectors (HD5) with 8 Self Tapping Screws (CC).

HD5 x 4



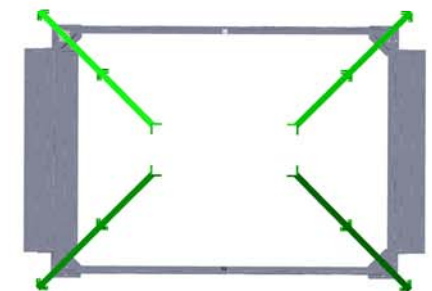
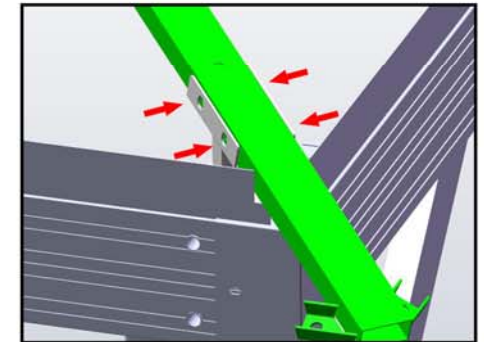
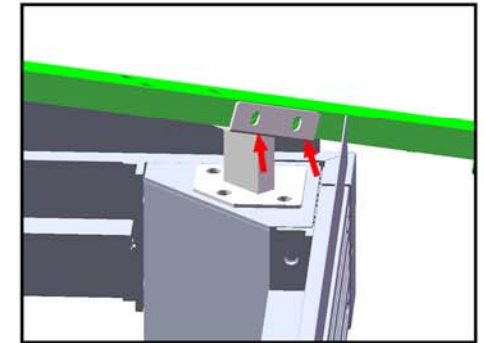
CC x 8



STEP# 11



Attach Roof Ribs (J) to Rib supports (HD4) with 8 pcs bolts (DD), 8 pcs washers (EE) and 8 pcs nuts (FF)

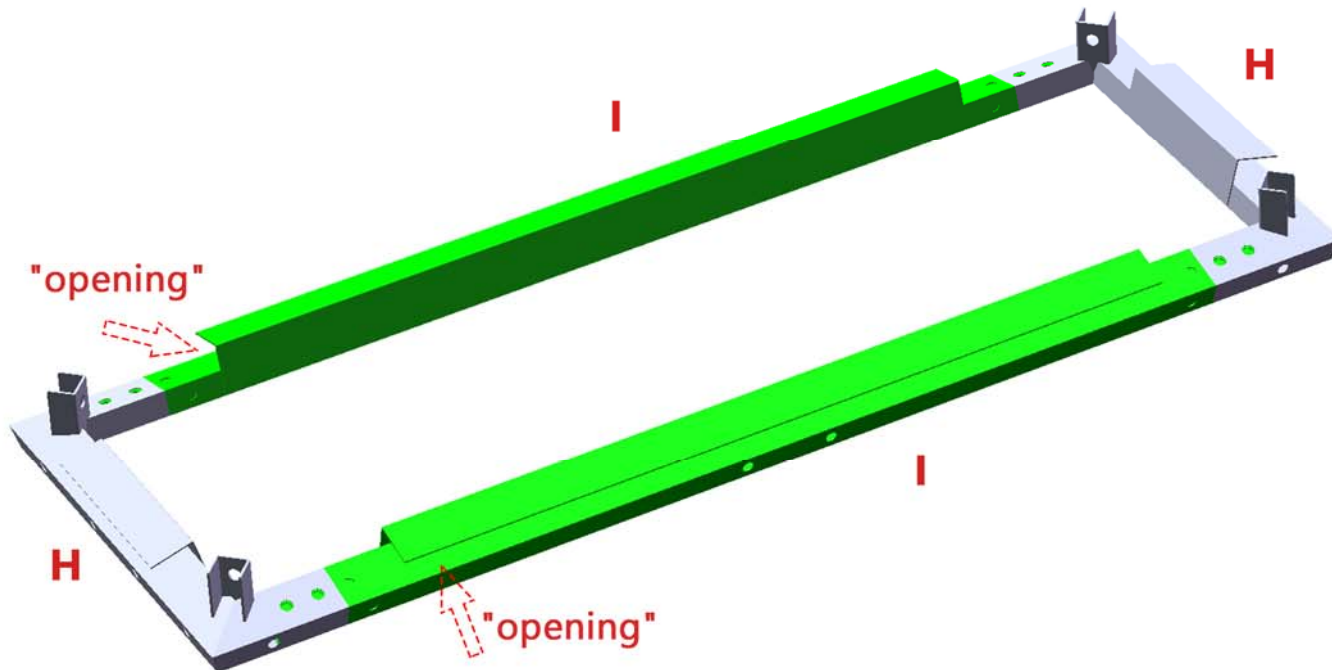
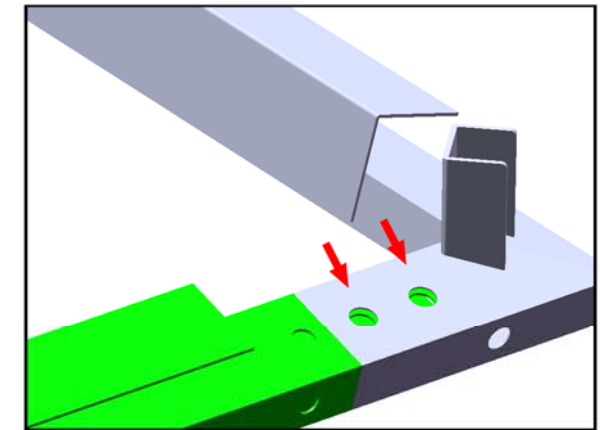
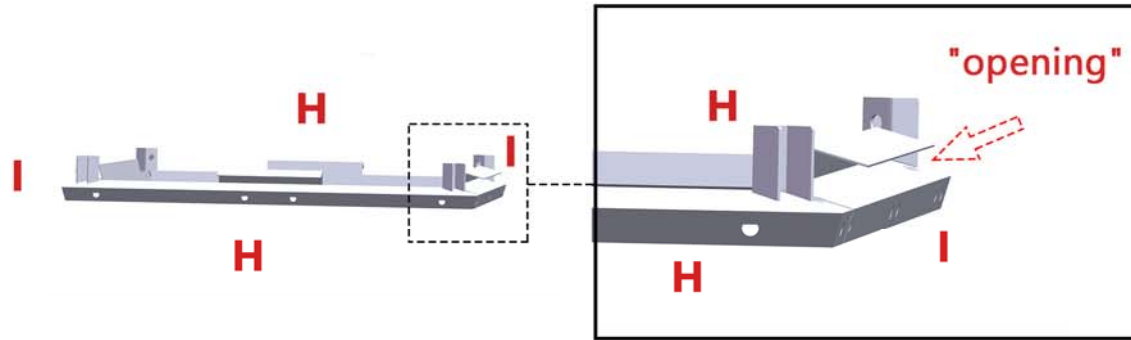
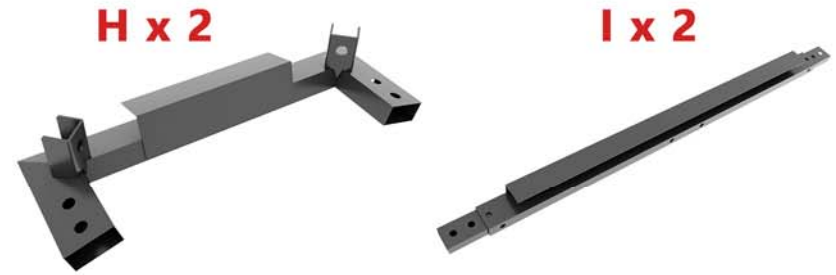


STEP# 12



Attach 2 pcs Roof Supports (I) to 2 pcs Roof Supports (H) with 8 pcs bolts (GG).

Caution: When assembling Roof Supports (I), keep "opening" facing outward. Wrong "opening" direction will cause a problem for the following steps.

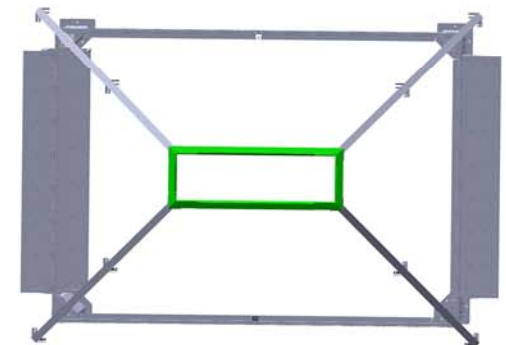
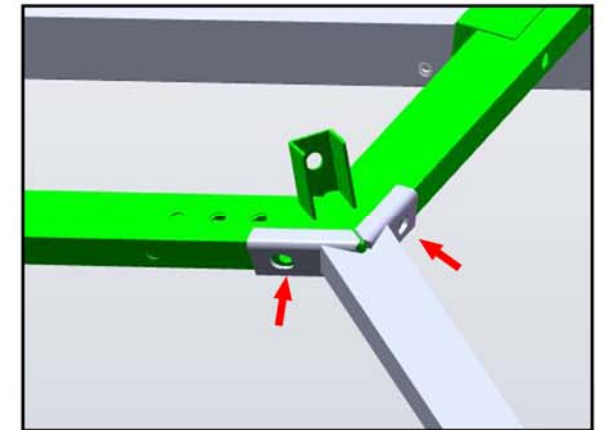
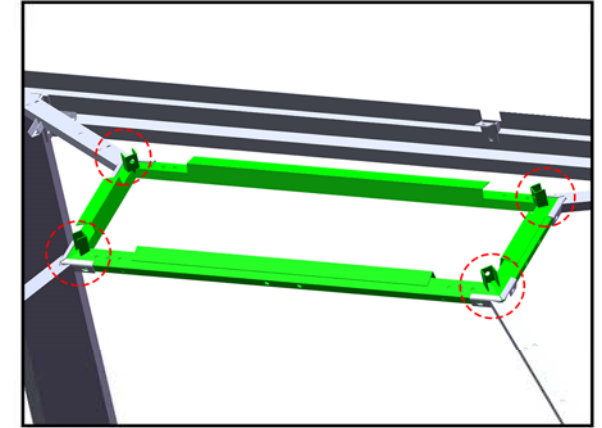
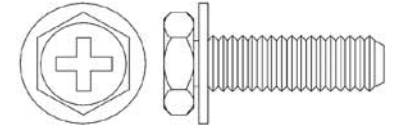


STEP# 13



Attach assembled Roof Supports (H) to Roof Ribs (J) with 8 pcs bolts (AA).

AA x 8



STEP# 14

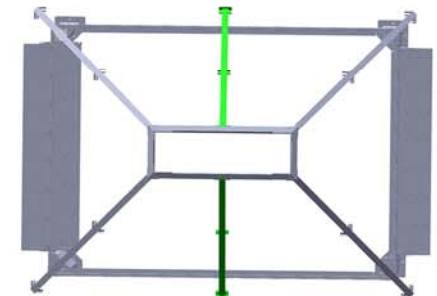
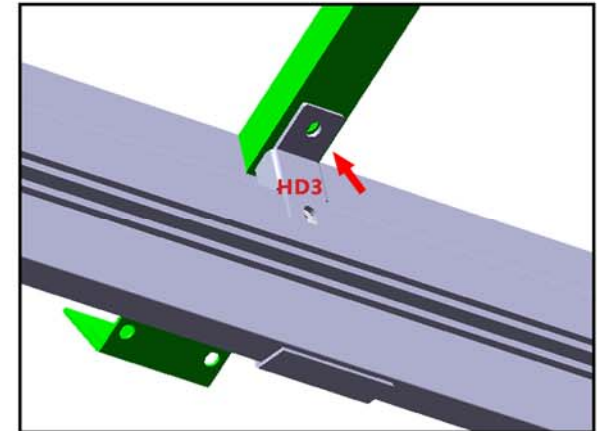
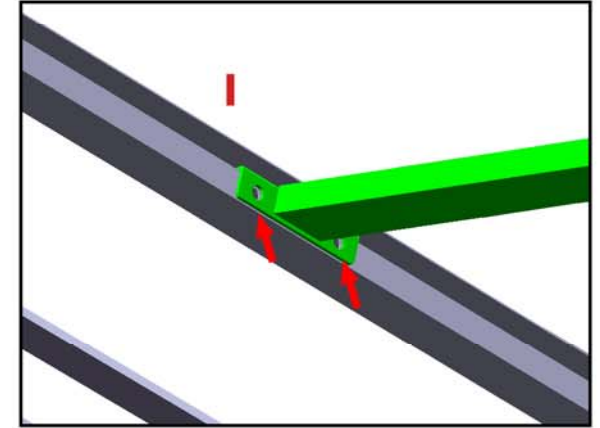
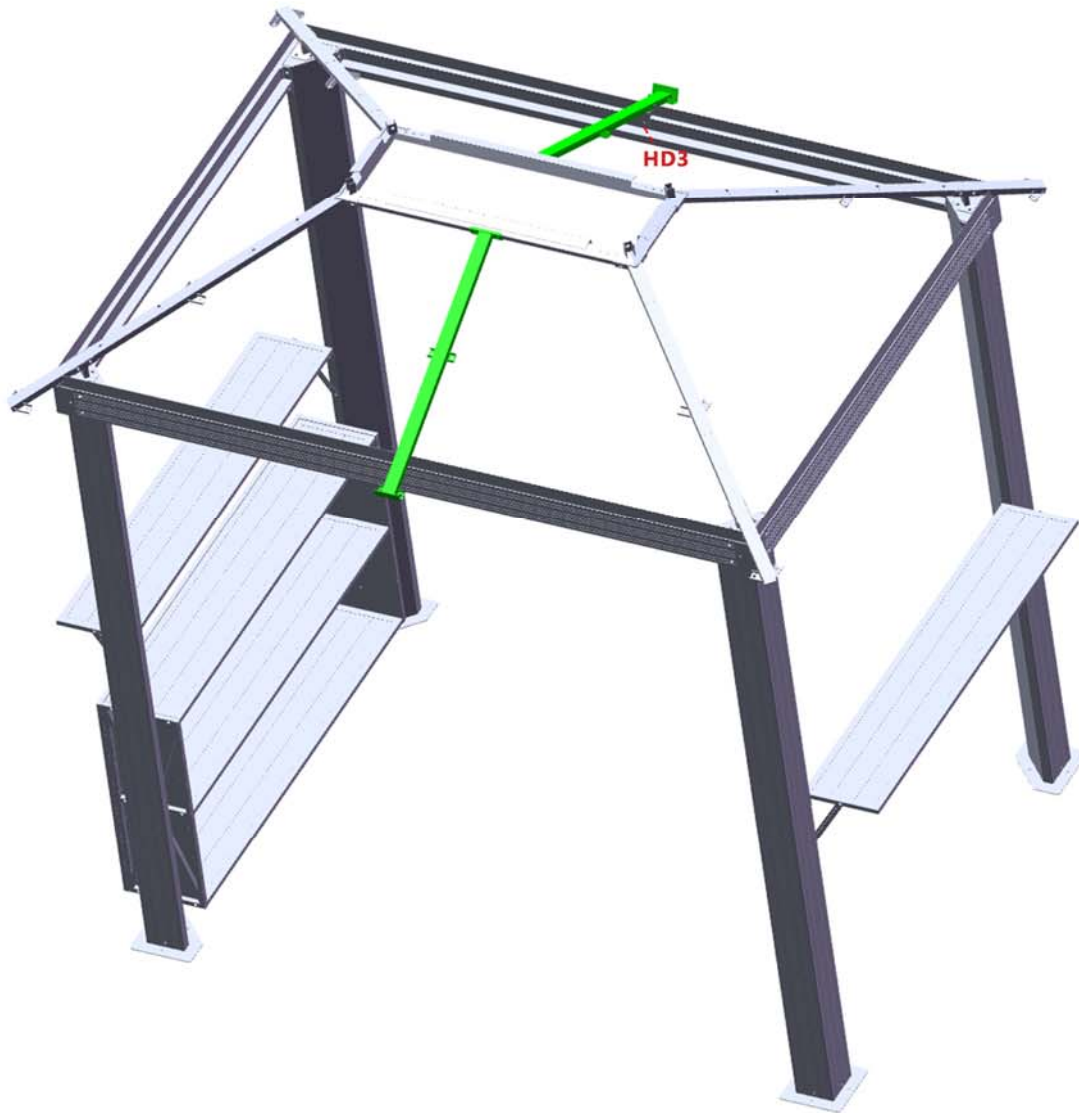
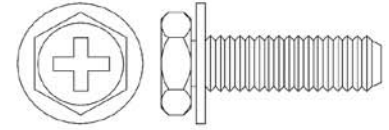


Attach 2 pcs Roof Ribs (K) to the Roof Top Supports (I) and Rib Supports (HD3) with 6 pcs bolts (AA).



K x 2

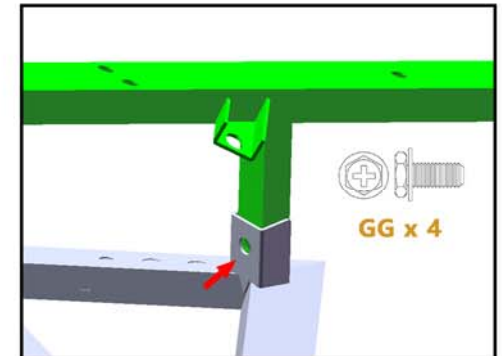
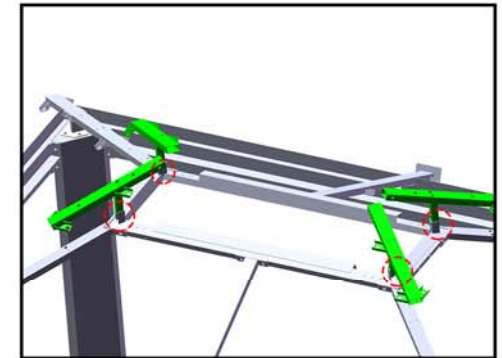
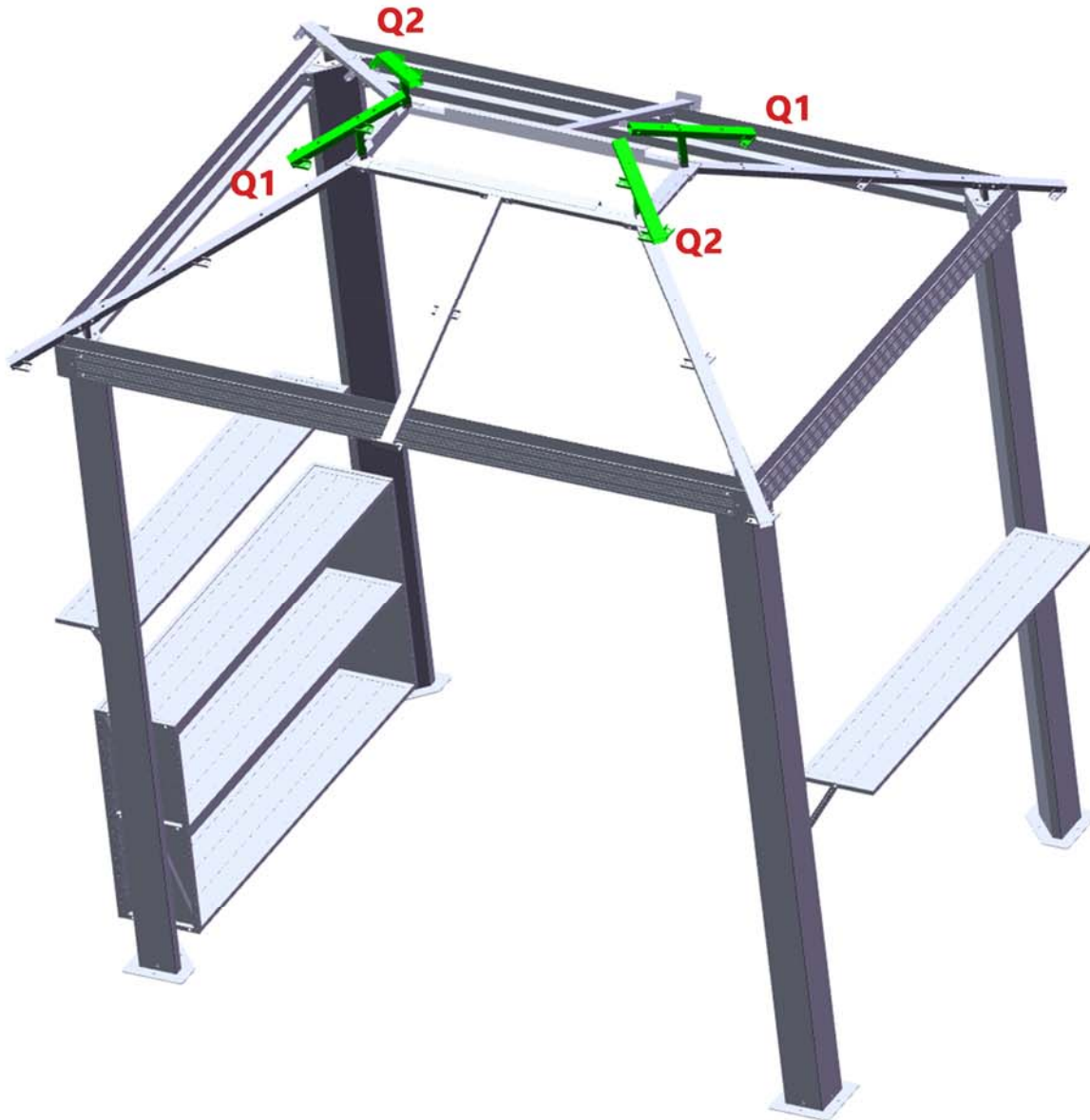
AA x 6



STEP# 15



Attach 2pcs Roof Top Ribs (Q1) and 2pcs Roof Top Ribs (Q2) to Roof Supports with 4 pcs bolts (GG) as shown below.



STEP# 16

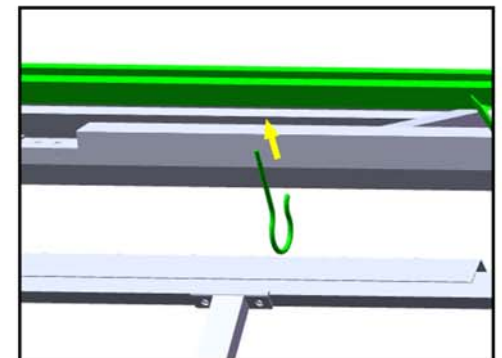
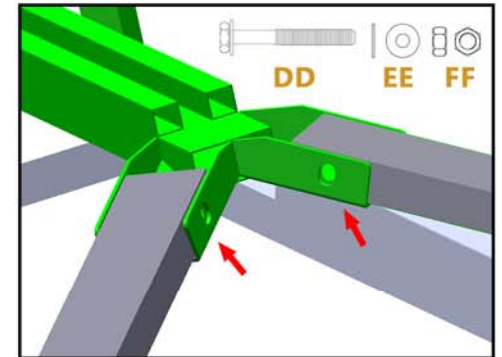
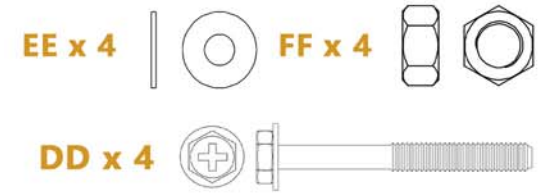


Attach Roof Top Brace (P) to Roof Top Ribs (Q1 and Q2) with 4 pcs bolts (DD), 4 pcs washers (EE) and 4 pcs nuts (FF). Then, attach Roof Top Hook (HD9) to Roof Top Brace (P).

P x 1



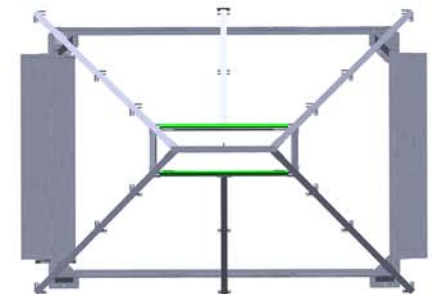
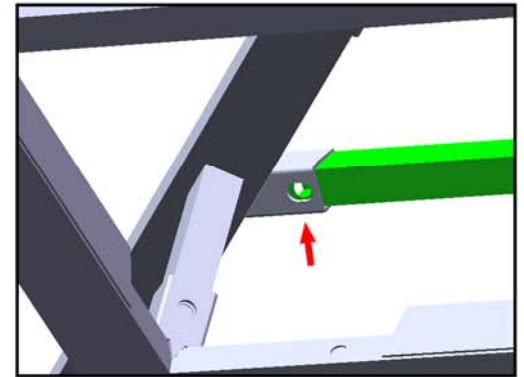
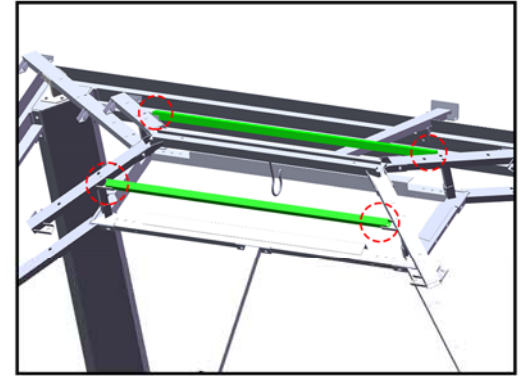
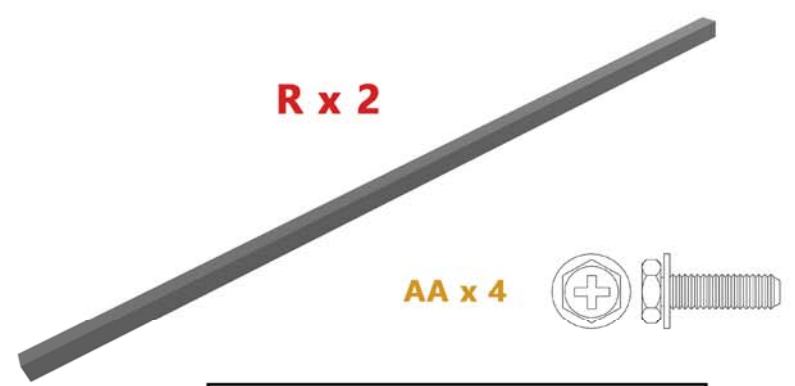
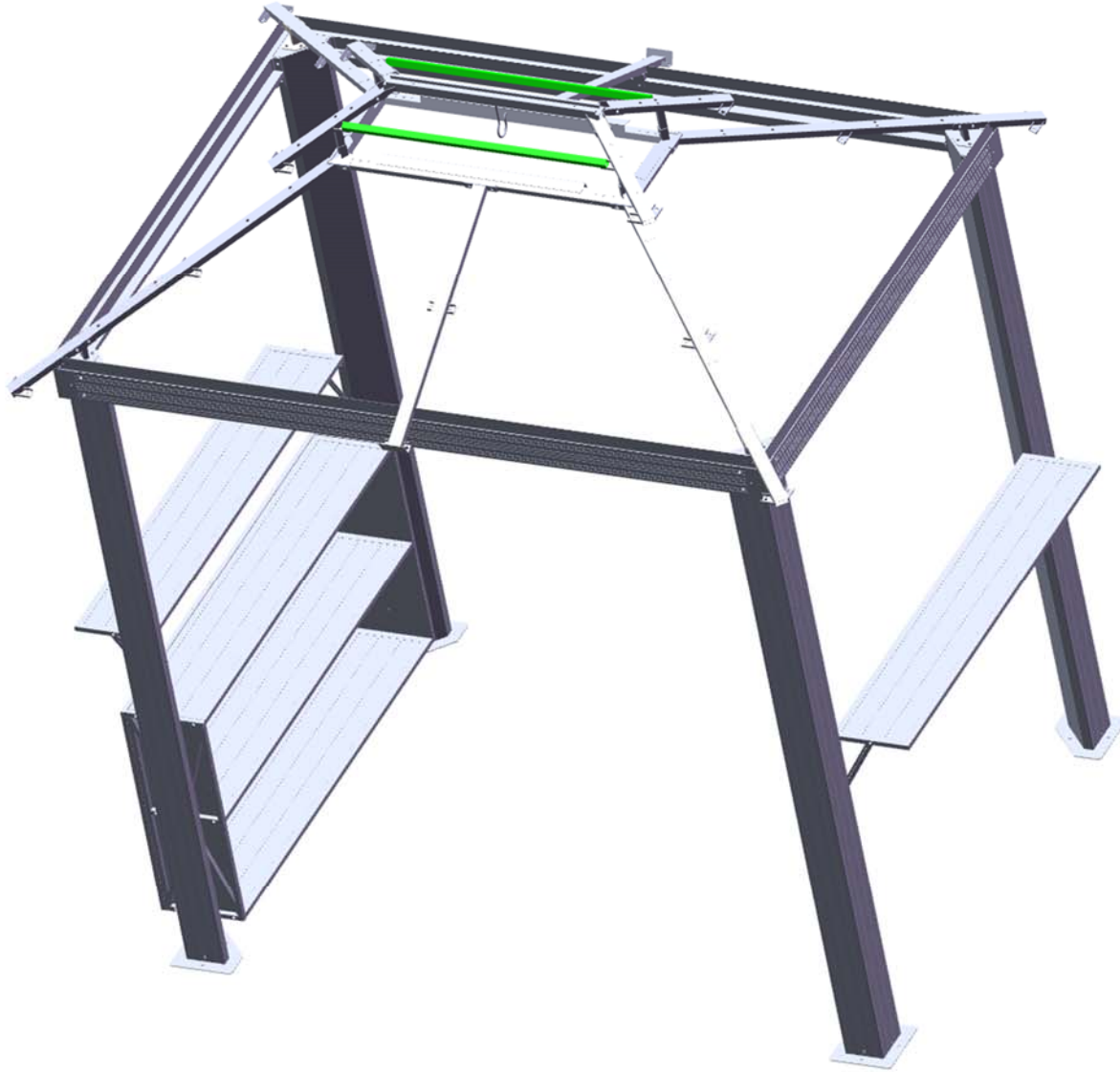
HD9 x 1



STEP# 17



Attach 2 pcs Roof Top Supports (R) to the Roof Top Ribs (Q) with 4 pcs bolts (AA).

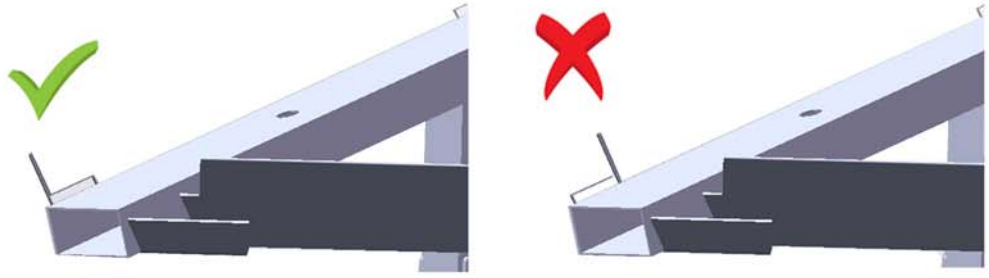


STEP# 18



Attach 2 pcs Roof Top Borders (S) and 2 pcs Roof Top Borders (T) to the Roof Top Ribs (Q) with 8 pcs bolts (AA).

Note: Border edges should face outward.



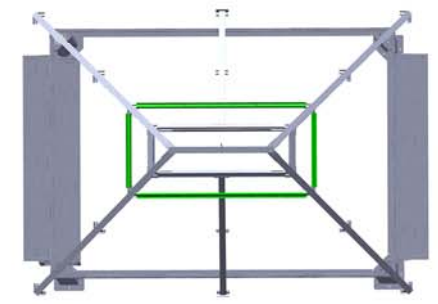
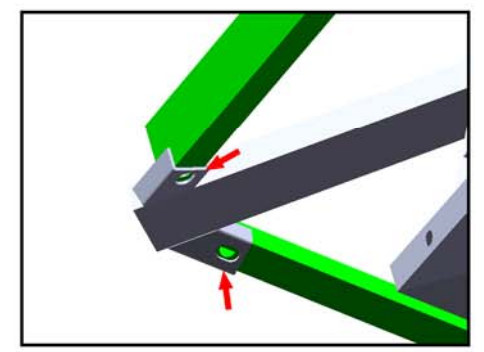
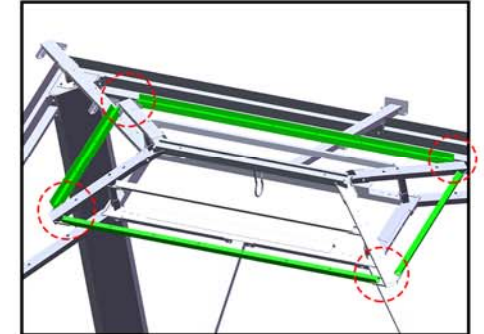
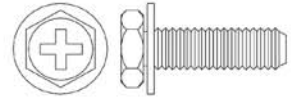
S x 2



T x 2



AA x 8

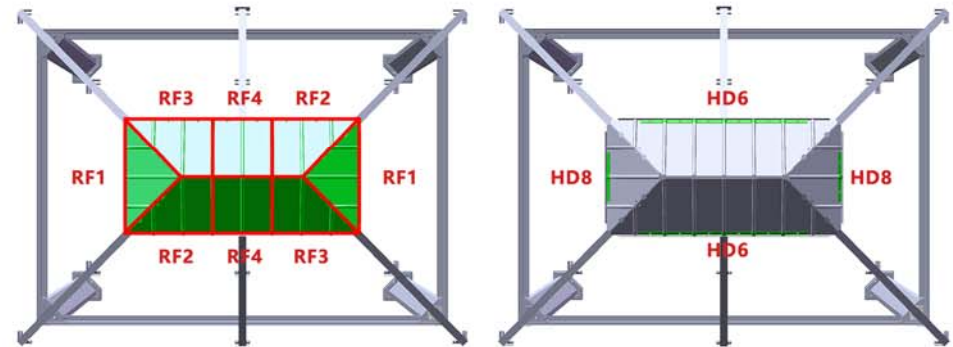
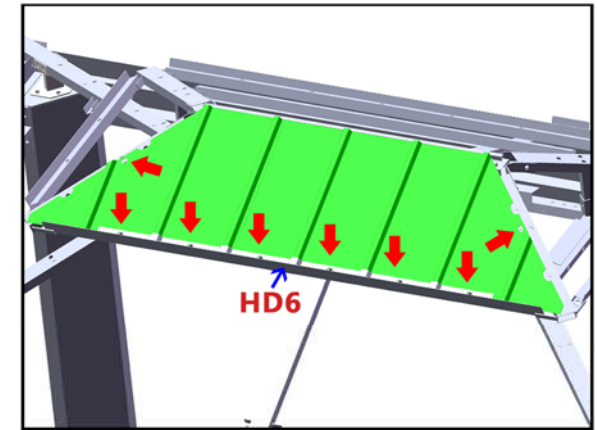
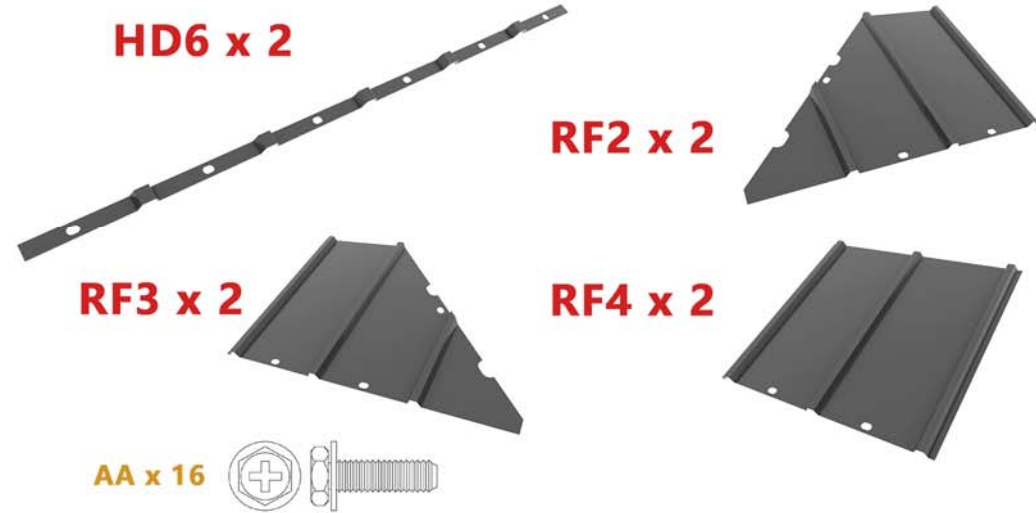
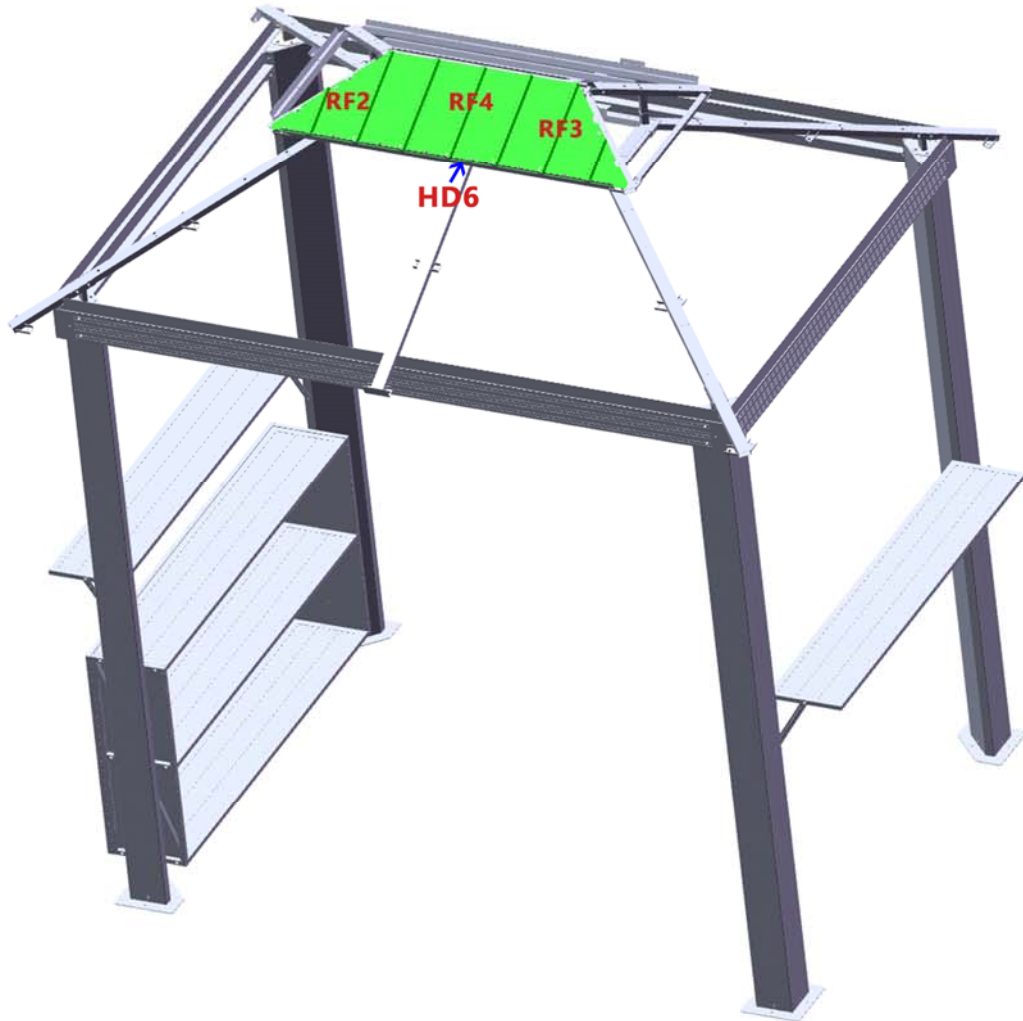


STEP# 19



Place Roof Top Plates (1pc RF2, 1pc RF3 and 1pc RF4) onto long side of assembled Roof Top Rib, attached RF2 and RF3 with 2pcs bolts (AA). Then place 1pc Mould Layer (HD6) on and attach those Roof Top Plates onto the Roof Top Border with 6pcs bolts (AA). Repeat this step on the opposite side.

Note: Do not stand below roof, falling roof plates may cause injury



STEP# 20



Place 1 pc Roof Top Plate (RF1) onto short side of assembled Roof Top Ribs, attach it to the Roof Top Ribs with 2pcs bolts (AA). Place 1pc Mould Layer (HD8) on and attach Roof Top Plates onto the Roof Top Border with 2pcs bolts (AA). Repeat this step on the opposite side.

Note: Do not stand below roof, falling roof plates may cause injury!

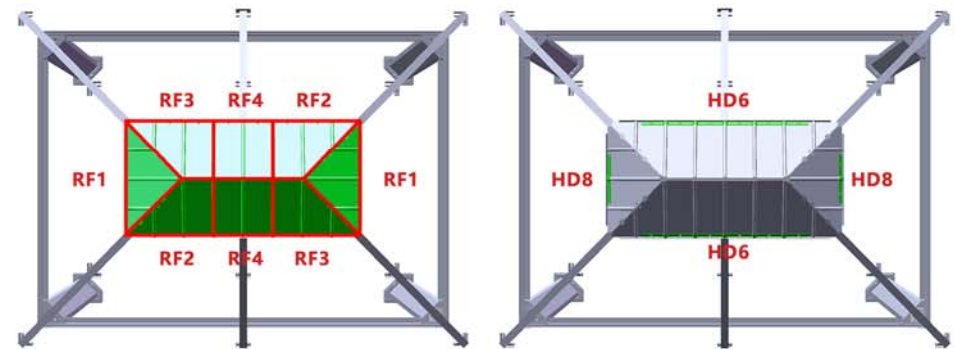
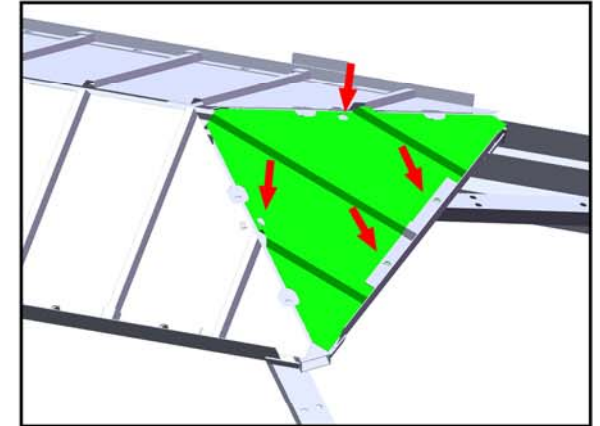
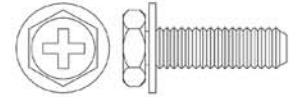
RF1 x 2



HD8 x 2



AA x 8



STEP# 21

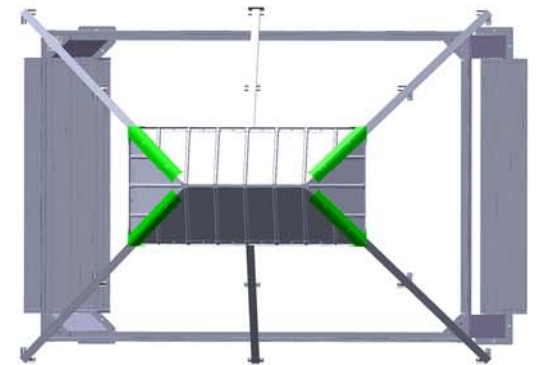
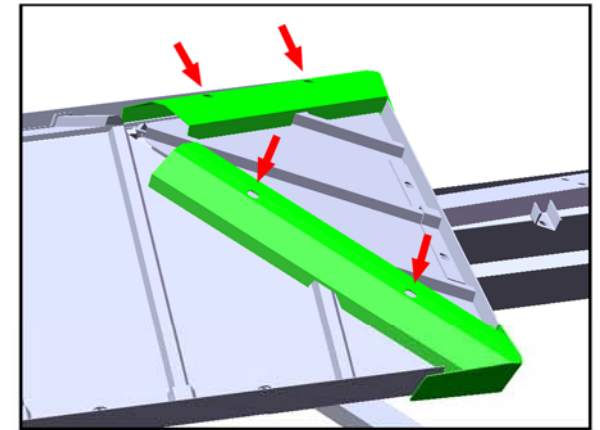
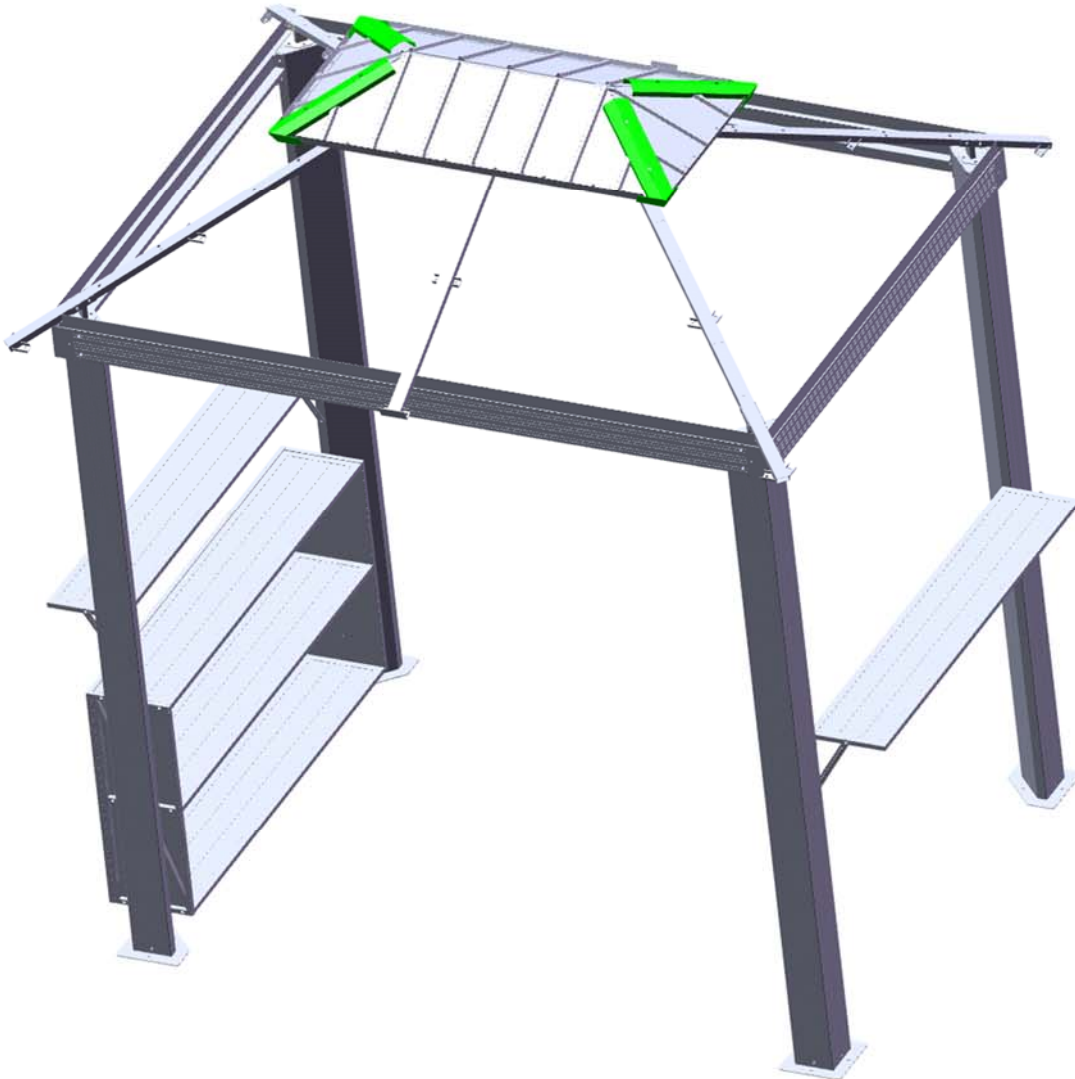
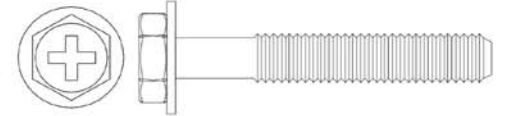


Attach 4 pcs Roof Top Edge Covers (U) with 8 pcs Bolts (BB).

U x 4



BB x 8

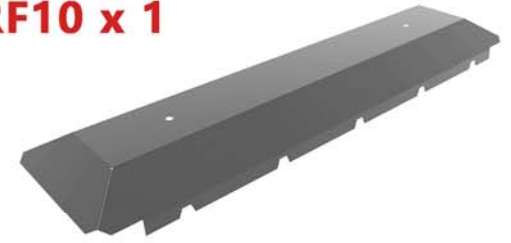


STEP# 22

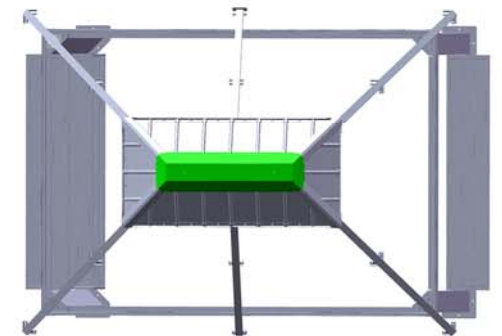
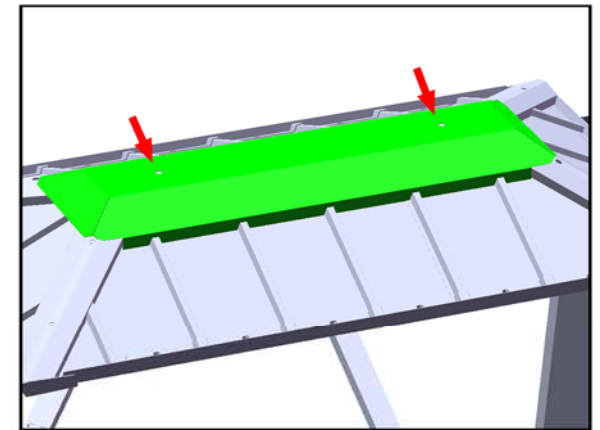
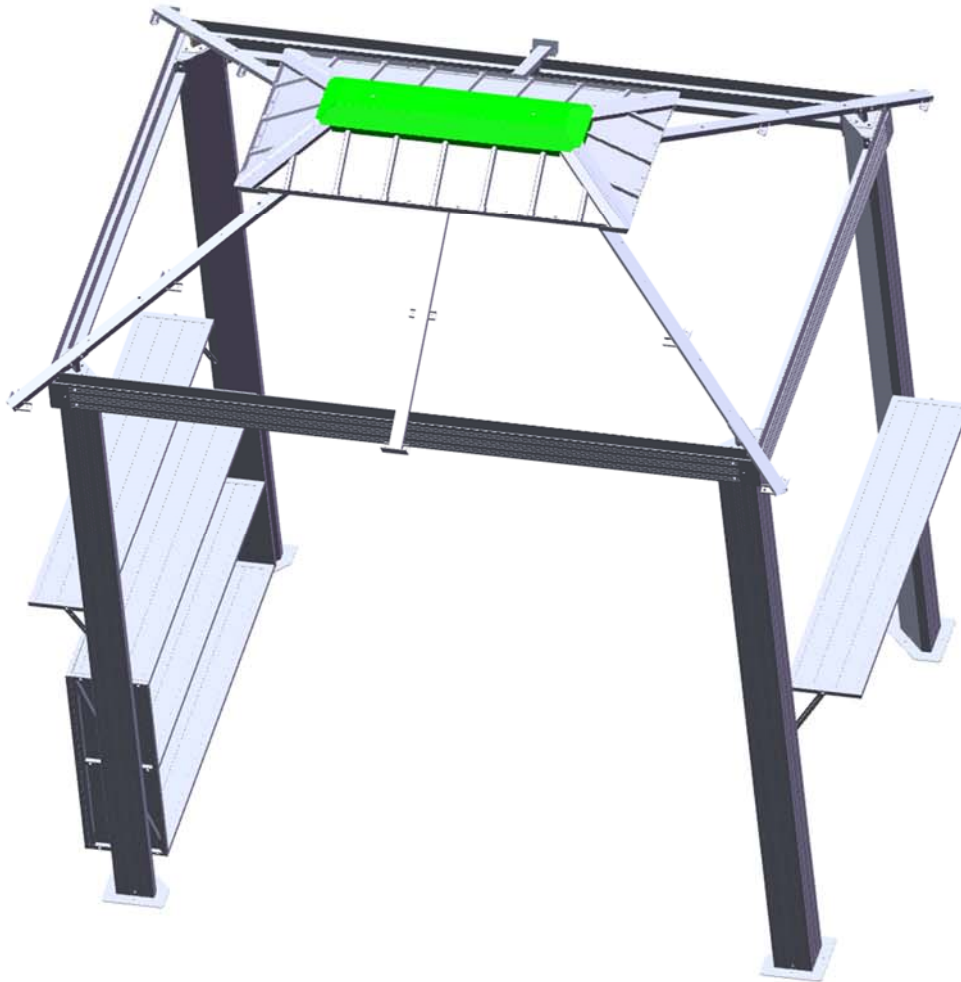


Attach Roof Top Cover (RF10) with 2 pcs Bolts (DD).

RF10 x 1



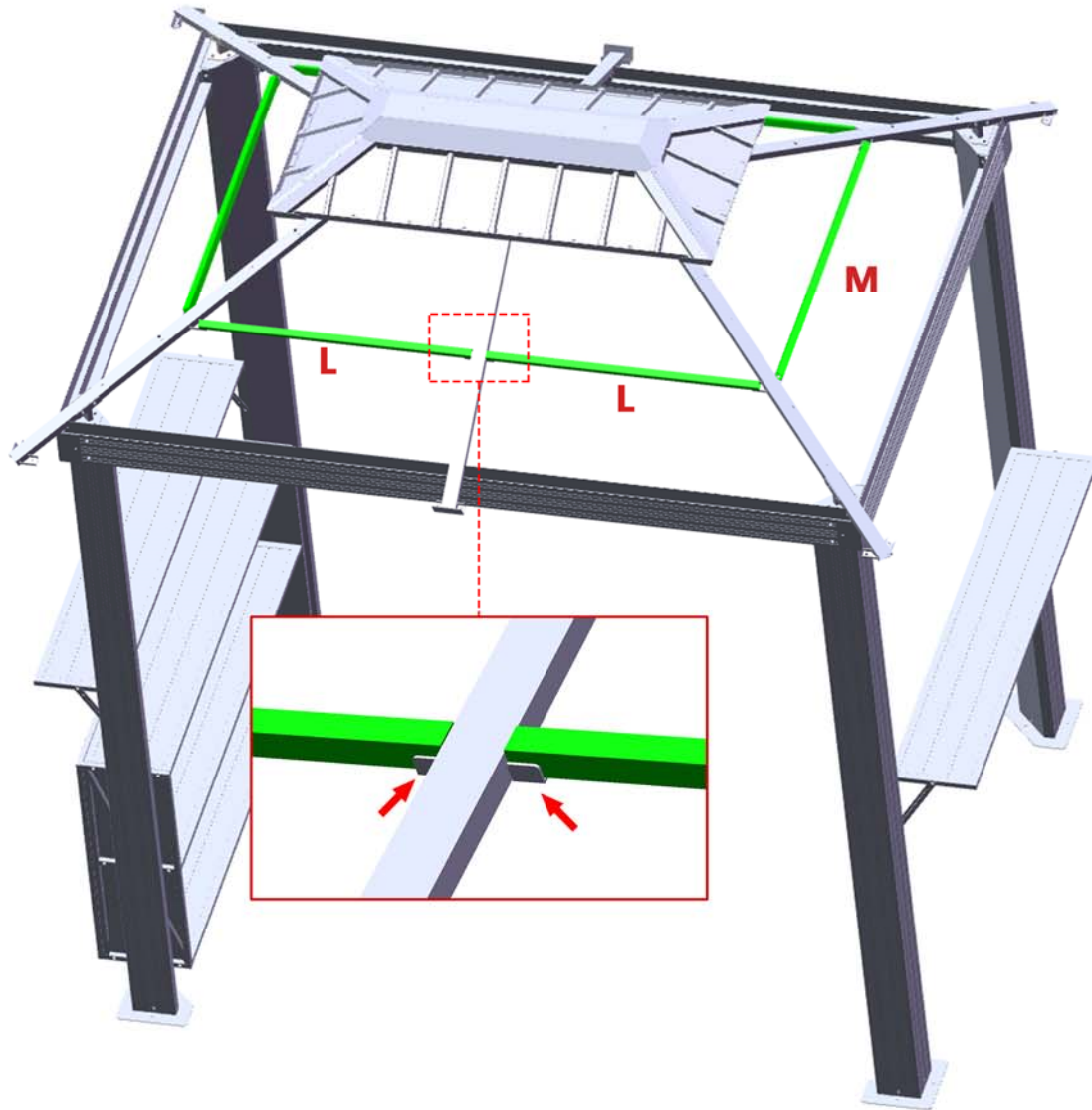
DD x 2



STEP# 23



Attach Roof Supports (4 pcs L and 2 pcs M) with 12pcs Bolts (AA)

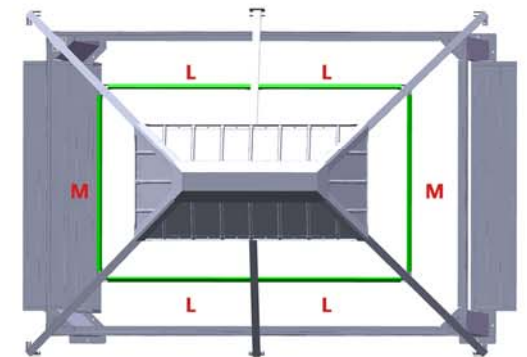
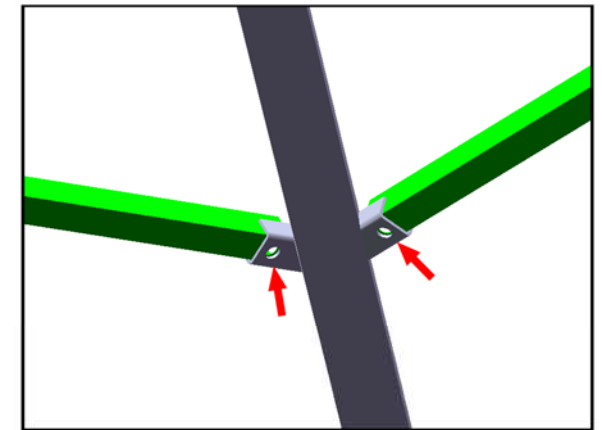
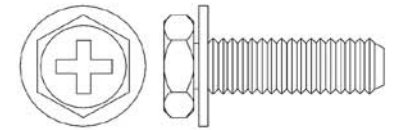


L x 4

M x 2



AA x 12



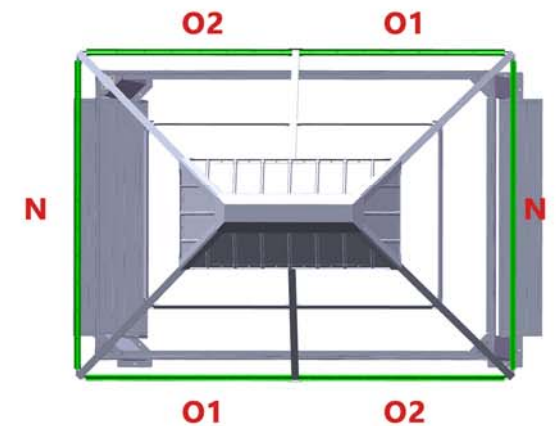
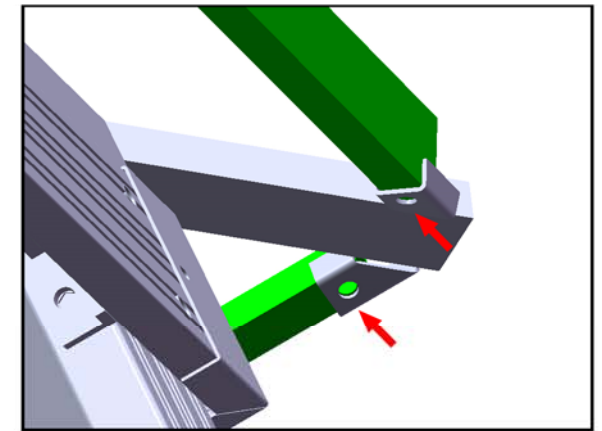
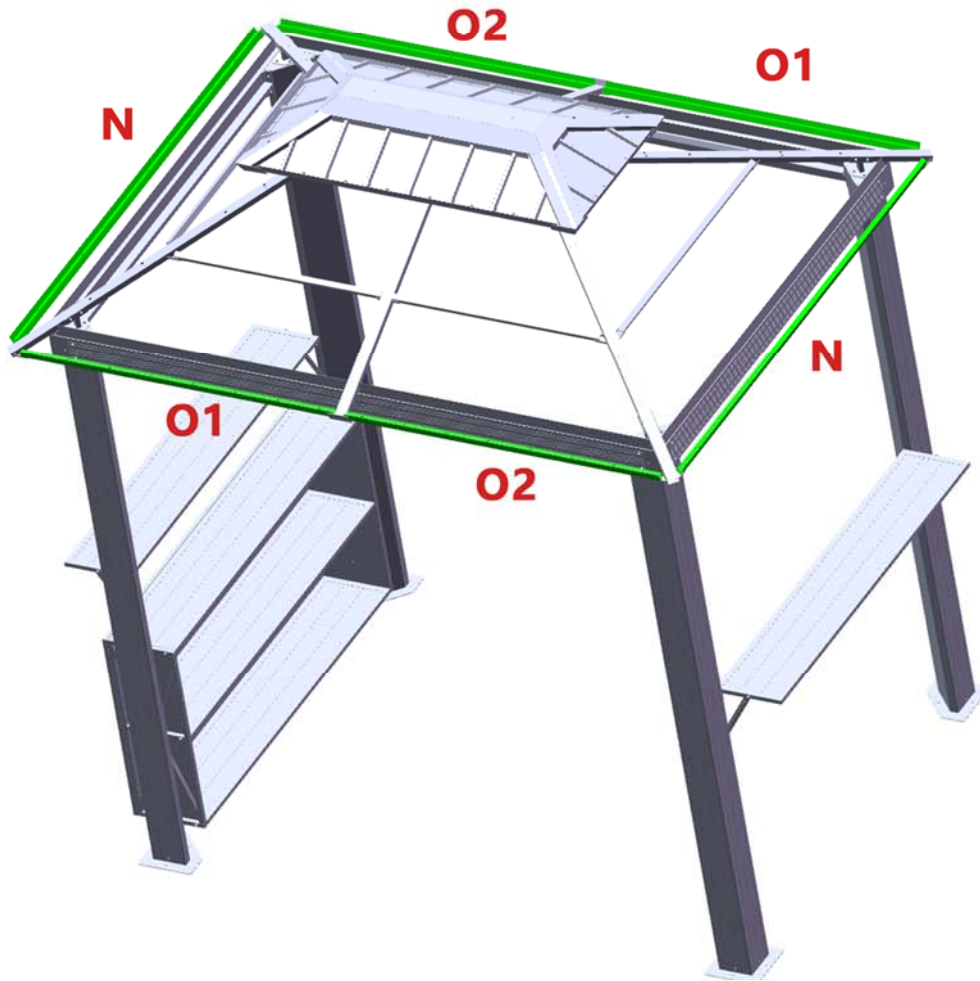
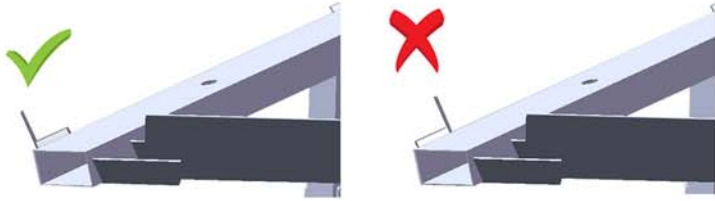
STEP# 24



Attach 2 pcs Roof Borders (O1), 2 pcs Roof Borders (O2) and 2 pcs Roof Borders (N) on Roof Ribs with 12 pcs bolts (AA)

Caution: Swapping O1 and O2 will cause problems for future assembly steps.

Note: Borders edges should face outwards.



STEP# 25



① Place 3 pcs Roof Top Plates (RF9) onto the middle of long side of assembled Roof Top Ribs with front edges tucked and clipped into Roof Top Supports.

Then place 1pc Mould Layer (HD6) and attach Roof Top Plates to the Roof Top Border with 6pcs bolts (AA).

② On the left, Place Roof Top Plates (1pc RF5, 1pc RF7) onto assembled Roof Top Ribs, and attach RF5 and RF7 with 2pcs bolts (AA), then place 1pc Mould Layer (HD7) and attach those Roof Top Plates to the Roof Top Border with 4pcs bolts (AA). Then assemble Roof Top Plates (1pc RF6, 1pc RF8) on the right side in the same way. Repeat this step on the opposite side.

**Note: Some Plates (RF9) should be tucked and clipped into Roof Top Supports.
Do not stand below roof, falling roof plates may cause injury!**

RF5 x 2

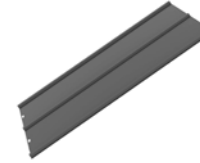
RF6 x 2

RF7 x 2

RF8 x 2



RF9 x 6



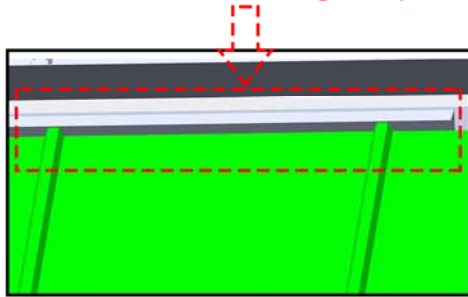
HD7 x 4



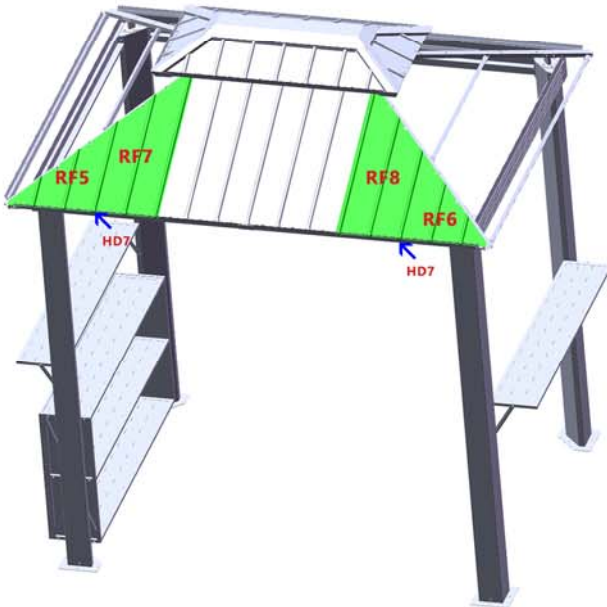
HD6 x 2



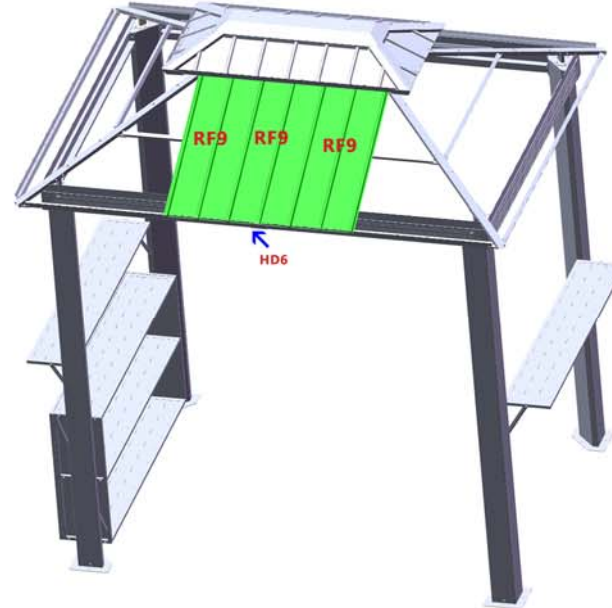
AA x 36



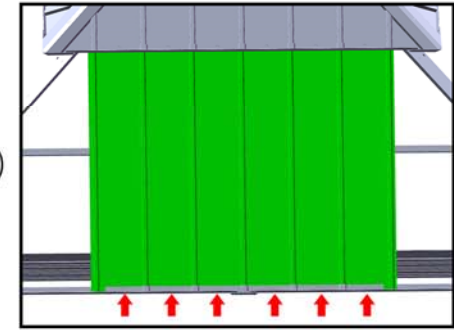
②



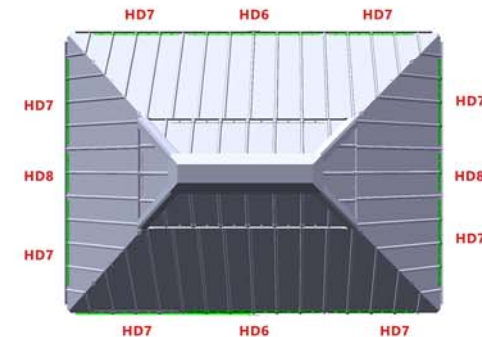
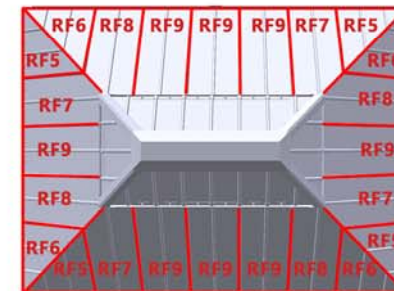
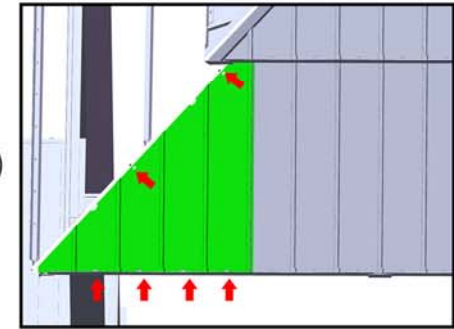
①



①



②



STEP# 26



① Place 1 pc Roof Top Plates (RF9) onto short side of assembled Roof Top Ribs with front edges tucked and clipped into Roof Top Supports. Then place 1pc Mould Layer (HD8) and attach those Roof Top Plates onto the Roof Top Border with 2pcs bolts (AA).

② On the left, place Roof Top Plates (1pc RF5, 1pc RF7) onto assembled Roof Top Ribs, attach RF5 and RF7 with 2pcs bolts (AA), then place 1pc Mould Layer (HD7) on and attach Roof Top Plates onto the Roof Top Border with 4pcs bolts (AA). Then assemble Roof Top Plates (1pc RF6, 1pc RF8) on the right side in the same way. Repeat this step on the opposite side.

Note: Some Plates (RF9) should be tucked and clipped into Roof Top Supports.
Do not stand below roof, falling roof plates may cause injury!

RF5 x 2

RF6 x 2

RF7 x 2

RF8 x 2



RF9 x 2



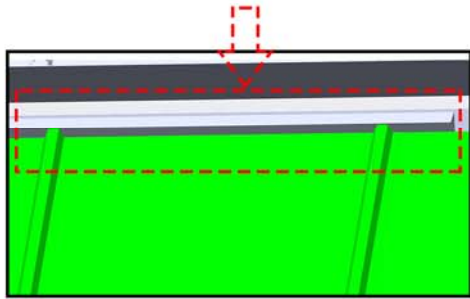
HD7 x 4



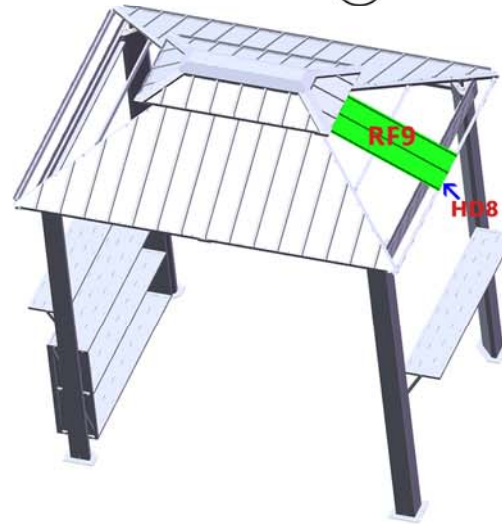
HD8 x 2



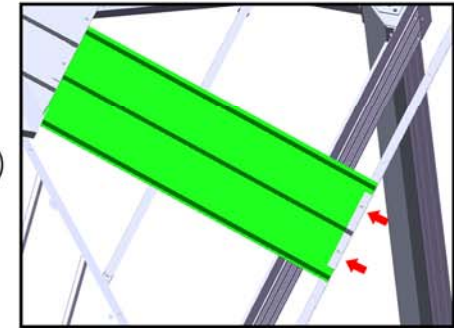
AA x 28



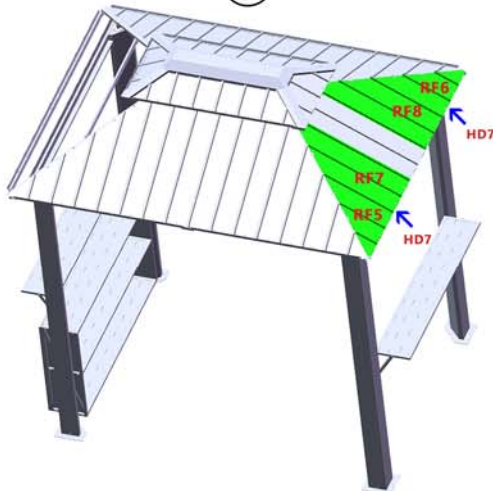
①



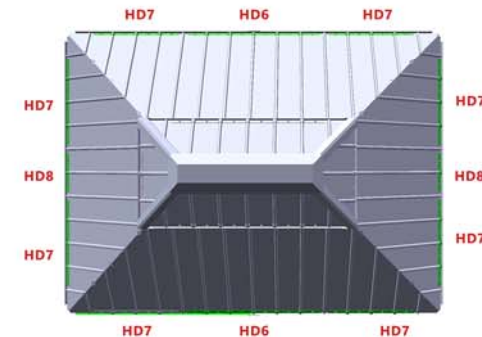
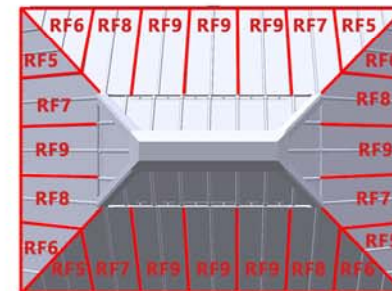
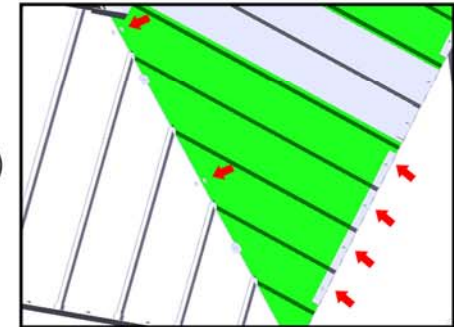
①



②



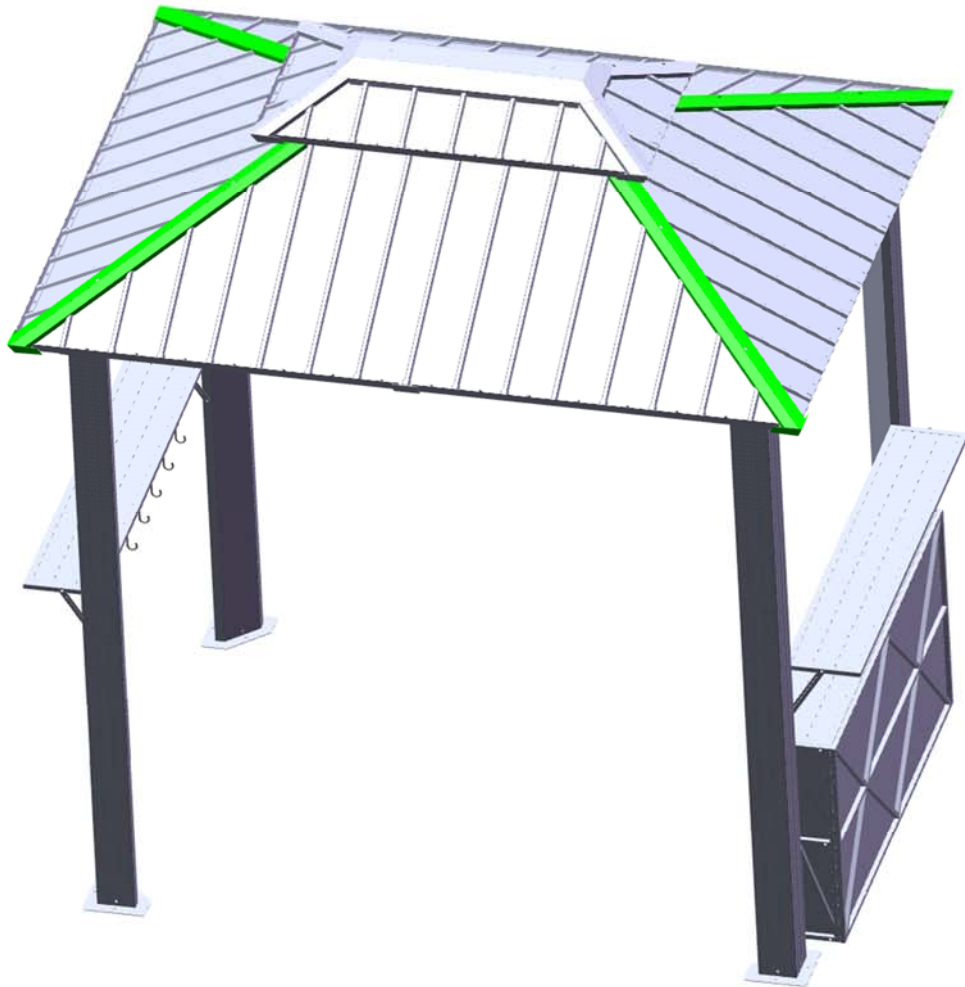
②



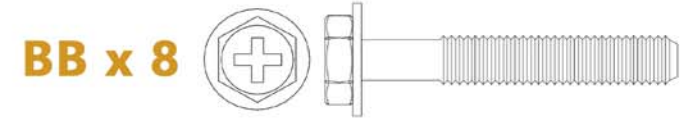
STEP# 27



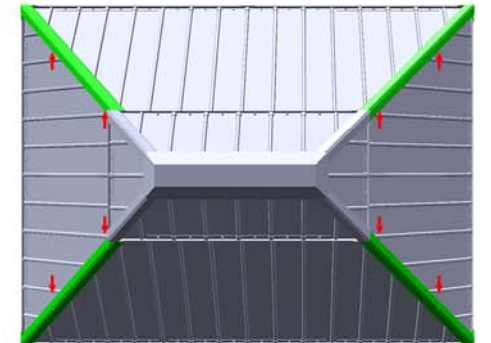
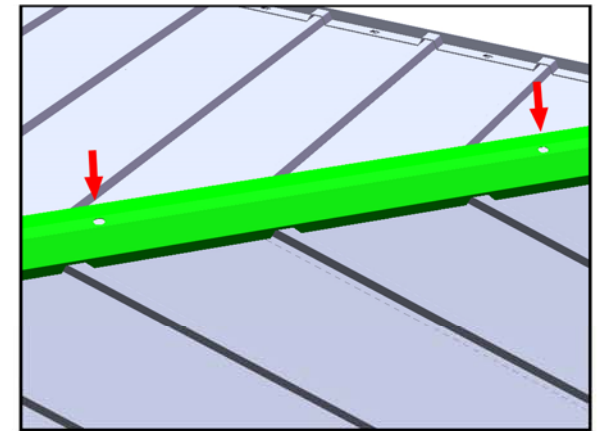
Attach 4 pcs Roof Edge Covers (V) with 8 pcs Bolts (BB).



V x 4



BB x 8





12 MONTH LIMITED WARRANTY

WHAT IS COVERED

This product is covered under the manufacturer's 12 Month Limited Warranty against defects in materials and workmanship or damage caused in transit. If your frame fails structurally due to inferior metals or welds during normal use within 12 months of purchase, the manufacturer will repair or replace the defective piece at no charge. Warranty is to the original purchaser and is non-transferable. Proof of purchase (dated register receipt) and in some cases, photos of product are required for warranty claims. Lack of original receipt will void the warranty. We reserve the right to make substitutions with similar merchandise, if the model in question is no longer in production.

WHAT IS NOT COVERED

This warranty excludes: commercial use, contract or other non-residential use, damage by acts of nature, abuse or lack of proper care, vandalism or improper assembly. Discoloration or fading of straps, fabric or finish as a result of chemicals or spill is not covered. Frames and hardware are not covered against corrosion or rusting. Product sold "as is", display models are not covered. In addition, purchased parts are not covered under this warranty. We reserve the right to make substitutions with similar merchandise, if the model in question is no longer in production. Exclusion also includes time for loss of use, inconvenience, travel, packaging or any other incidental or consequential damages. If the products is not warranted, it remains the customer's responsibility for freight and packaging charges to and from our service center.

CARE & MAINTENANCE

Clean gazebo with a soft dry towel when needed. During cold weather months, reinforce with 2pcs winter support bar (sold separately) and remove snow and ice to prevent excess roof weight or collapse. Apply winter cover (sold separately) for better maintenance of this product. The cover is for protection, not warmth. Properly secure your gazebo as wind damage and other acts of nature are not covered by the warranty. Winter accessories are available on Menards.com Properly secure or take down your gazebo during storms as wind damage and other acts.

FRAME: Wash frame with a mild solution of soap and water, rinse with clean water and dry thoroughly. Treat metal frame with a clear liquid car wax for protection against UV light and salty, damp air. In cold climates drain any water accumulated inside the frames before storing.

CAUTION! Gazebo should not be used in inclement weather and high winds. Weather-related damage is not covered under warranty.

CUSTOMER SERVICE: For warranty issues, missing or damaged parts, or for additional products information, please contact our Customer Service: menards@sunwellgarden.com or leave a message: 1-888-733-8169 Monday-Friday 9AM - 5PM EST