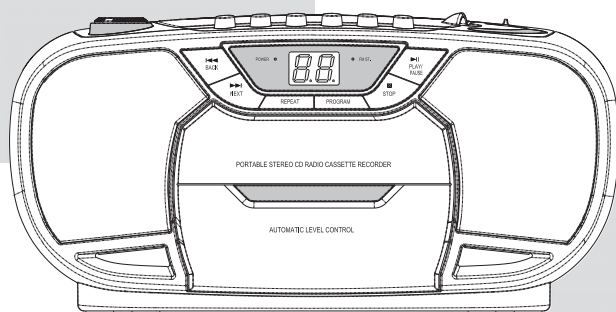


# SENCOR®

## SPT 207



**INSTRUCTION MANUAL**  
**NÁVOD K OBSLUZE**  
**NÁVOD NA OBSLUHU**  
**FELHASZNÁLÓI KÉZIKÖNYV**  
**INSTRUKCJA OBSŁUGI**

**CD/Cassette/Radio**  
**Portable Player**  
Přenosný CD přehrávač s kazetovým  
magnetofonem a rádiem  
Prenosný CD prehrávač s kazetovým  
magnetofónom a rádiom.  
Hordozható CD-lejátszó kazettás  
magnetofonnal és rádióval.  
Przenośny odtwarzacz CD  
z magnetofonem kasetowym i radiem.

EN CZ SK HU PL

COMPACT  
**disc**  
DIGITAL AUDIO



## WARNING

TO PREVENT FIRE OR SHOCK HAZARD DO NOT EXPOSE THIS APPLIANCE TO RAIN OR MOISTURE.



**LIGHTNING FLASH WITH ARROWHEAD SYMBOL** - within an equilateral triangle, is intended to alert the user to the presence of uninsulated dangerous voltage within the products enclosure that may be of sufficient magnitude to constitute a risk of electric shock to persons.



**EXCLAMATION POINT** - within an equilateral triangle, is used to indicate that a specific component shall be replaced only by the component specified in that documentation for safety reason.

The following label has been affixed to the unit, listing the proper procedure for working with the laser beam:



### CLASS 1 LASER PRODUCT LABEL -

This label is attached to the place as illustrated to inform that the apparatus contains a laser component.



**WARNING LABEL INFORMING OF RADIATION** - This label is placed inside the unit. As shown in the illustration. To warn against further measures on the unit. The equipment contains a laser radiating laser rays according to the limit of laser product of class 1.

# SAFETY INSTRUCTIONS

1. **READ INSTRUCTIONS** - All the safety and operating instructions should be read before the appliance is operated.
2. **RETAIN INSTRUCTIONS** - The safety and operating instruction should be retained for future reference.
3. **HEED WARNINGS** - All warnings on the appliance and in the operating instructions should be adhered to.
4. **FOLLOW INSTRUCTIONS** - All operating instructions should be followed.
5. **WATER AND MOISTURE** - The appliance should not be used near water, for example, near a bathtub, washbowl, kitchen sink, laundrytub, swimming pool or in a wet basement.
6. **VENTILATION** - The appliance should be situated so that its location or position does not interfere with its proper ventilation. Do not place on bed, sofa, rug or similar surface that may block the ventilation openings, in a built-in installation, such as a bookcase or cabinet that may impede the flow of air through the ventilation openings.
7. **HEAT** - The appliance should be situated away from heat sources such as radiators, stoves, or other appliances (including amplifiers) that produce heat.
8. **POWER SOURCE** - The appliance should be connected to power supply only of the type described in the operating instructions or as marked on the appliance.
9. **POWER CORD PROTECTION** - Power supply cords should be routed so that they are not likely to be walked on or pinched by items placed upon or against them.
10. **POWER LINES** - An outdoor antenna should be located away from power lines.
11. **OBJECT and LIQUID ENTRY** - Care should be taken so that objects do not fall and liquids are not spilled into the enclosure through openings.
12. **ESD WARNING** - The display does not function properly or no reaction to operation of any the control may due to the electrostatic discharge. Switch off and unplug the set. Reconnect after a few seconds.
13. **DAMAGE REQUIRING SERVICE** - The appliance should be serviced by qualified service personnel when:
  - a. The power-supply cord or plug has been damaged.
  - b. Objects have fallen into, or liquid has been spilled into the appliance enclosure.
  - c. The appliance has been exposed to rain.
  - d. The appliance has been dropped, or the enclosure damaged.
  - e. The appliance does not appear to operate normally.
14. **SERVICING** - The user should not attempt to service the appliance beyond that described in the user operating instructions. All other servicing should be referred to qualified service personnel.

## SAFETY INSTRUCTIONS

**Notes:**

- a. Dirty or scratched CD may cause a skipping problem. Clean or replace the CD.
- b. If an error display or malfunction occurs, disconnect the AC cord and remove all the batteries. Then turn the power back on.

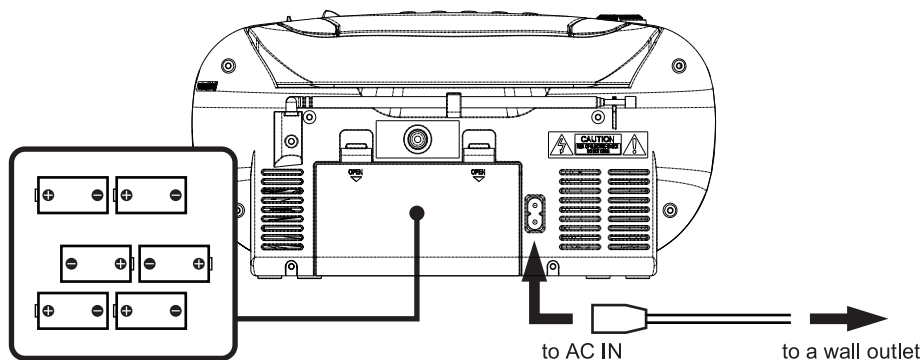
**BEFORE OPERATION****Notes: CONCERNING COMPACT DISCS.**

Since dirty, damaged or warped discs may damage the appliance, care should be taken of the followings items:

- a. Usable compact discs. Use only compact disc with the mark shown below.
- b. CD compact disc only with digital audio signals.



## POWER SOURCES



Insert 6 × “C” size batteries  
into the battery compartment

### AC POWER

You can power your portable system by plugging the detachable AC power cord into the AC inlet at the back of the unit and into a wall AC power outlet. Check that the rated voltage of your appliance matches your local voltage. Make sure that the AC power cord is fully inserted into the appliance.

### BATTERY POWER

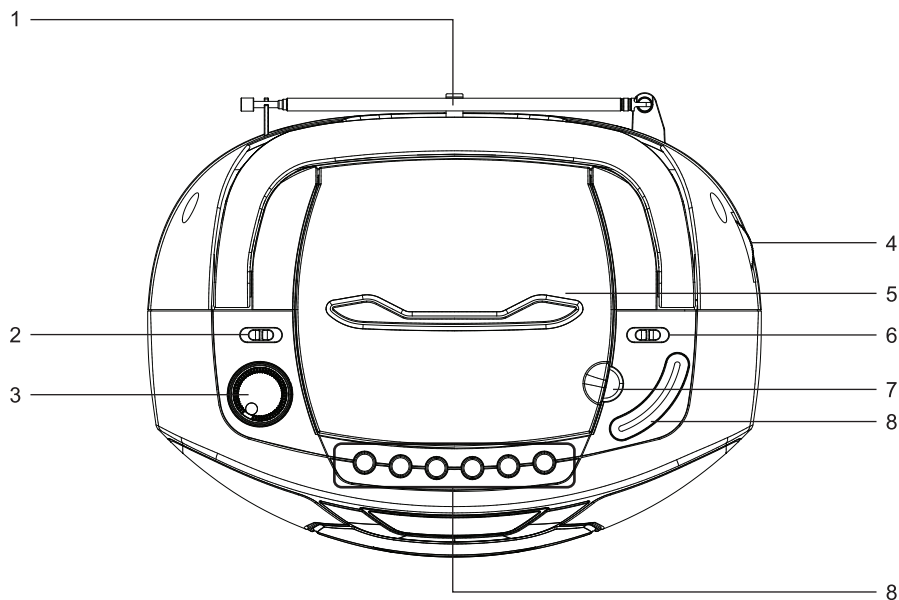
Insert 6 × “C” size batteries into the battery compartment. Be sure that the batteries are inserted correctly to avoid damage to the appliance. Always remove the batteries when appliance will not be used for a long period of time, as this will cause leakage to the batteries and subsequently damage to your set.

#### Notes:

- Use batteries of the same type. Never use different types of batteries together.
- To use the appliance with batteries, disconnect the AC power cord from it.

# LOCATION OF CONTROL

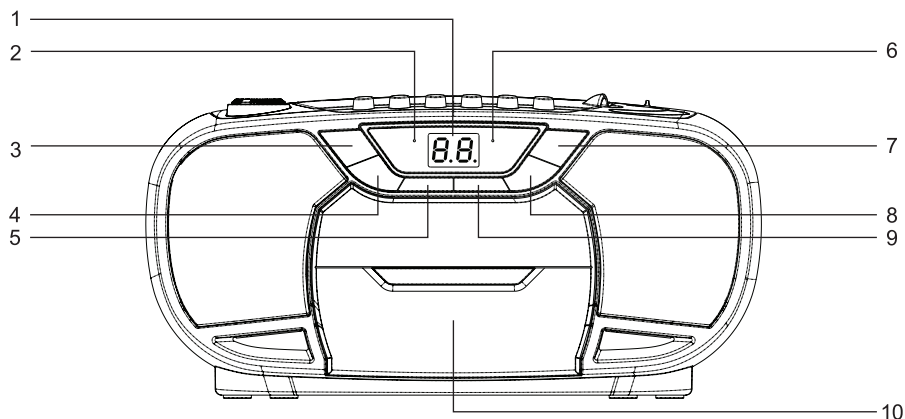
## FRONT VIEW



- 1 FM ANTENNA
- 2 FUNCTION SELECTOR
- 3 VOLUME CONTROL
- 4 TUNING CONTROL

- 5 CD DOOR
- 6 BAND SELECTOR
- 7 OPEN / CLOSE
- 8 DIAL POINTER

## CONTROL PANEL



- 1 POWER INDICATOR
- 2 LED DISPLAY
- 3 FM STEREO INDICATOR
- 4 PLAY / PAUSE
- 5 STOP

- 6 PROGRAM
- 7 CASSETTE DOOR
- 8 BACK
- 9 NEXT
- 10 REPEAT

# RADIO OPERATION

## GENERAL OPERATION

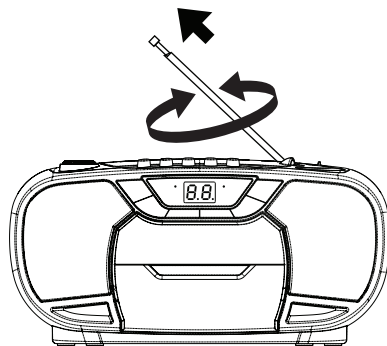
1. Set the "FUNCTION" selector to "RADIO" mode.
2. Select desired band by using the "BAND" selector.
3. Adjust radio frequency to your desired station by using the "TUNING" control.
4. Adjust the "VOLUME" control to the desired level.

## FM | FM-STEREO RECEPTION

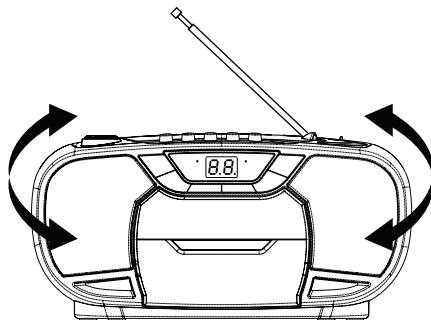
- Set the "BAND" selector to FM mode for MONO reception.
- Set the "BAND" selector to FM ST. mode for FM STEREO reception. The Stereo indicator light up to show FM ST. mode.

## FOR BETTER RECEPTION

- Reorient the antenna for better reception.



- Reorient the appliance to get better AM reception.



# TAPE OPERATION

## GENERAL OPERATION

PAUSE <b>  </b>	Press to stop playing tape operation temporarily. Press again to resume tape operation.
STOP / EJECT <b>■ ▲</b>	Press to stop tape operations. Press again to open the cassette door after the tape spools stop turning.
FAST FORWARD <b>◀◀</b> & REWIND <b>▶▶</b>	Press to start rapid tape winding either forward or reverse direction.
PLAY <b>◀</b>	Press to start playing tape.
RECORD <b>●</b>	Press it together with „PLAY“ button to start recording.

## PLAYBACK

1. Set the “FUNCTION” selector to “TAPE” mode.
2. Press the “STOP | EJECT” button to open the cassette door and insert your tape.
3. Close the cassette door.
4. Press the “PLAY” button to start playing tape.
5. Adjust the “VOLUME” control to the desired level.
6. Press the “PAUSE” button when you want to stop playing tape operation temporarily.
7. Press the “STOP | EJECT” button when finished.

## RECORDING

1. Press the “STOP / EJECT” button to open the cassette door and insert a blank tape.
2. Select the source you want to record.
  - To record from radio - Set the “FUNCTION” selector to “RADIO” mode and adjust the desired station.
  - To record from CD - Place a disc on the CD compartment. Set the “FUNCTION” selector to “CD” mode and select the desired track.
3. Press the “RECORD” button together with the “PLAY” button to start recording.
4. Press the “STOP | EJECT” button when finished.

# CD OPERATION

## GENERAL OPERATION

PLAY / PAUSE ►	Press to start playing CD disc. Press again to stop playing CD operation temporarily. Press again to resume playback.
NEXT ►► & BACK ◄◄	Press to go to the next track or back to the previous track. Press and hold while playing until you find the point of the sound.
STOP ■	Press to stop all CD operation.

## PLAYBACK

1. Set the "FUNCTION" selector to "CD" mode.
2. Open the CD door and place a CD disc with the label up in the CD compartment.
3. Close the CD door.
4. Focus search is performed if disc is inside. Total number of tracks is read and appears on the display.
5. Press the "PLAY | PAUSE" button to start playing CD disc.
6. Adjust the "VOLUME" control to the desired level.
7. Press the "PLAY / PAUSE" button again when you want to stop playback temporarily.
8. Press the "STOP" button when finished.

# OVLÁDÁNÍ CD PŘEHRÁVAČE

## PROGRAMOVÁNÍ

Up to 20 tracks can be programmed for disc play in any order.

Be sure to press the "STOP" button before use.

1. Press the "PROGRAM" button, the display will show "01" and flash.
2. Select desired track by using the "NEXT" or "BACK" button.
3. Press the "PROGRAM" button again to confirm desired track into the program memory.
4. Repeat step 2 and 3 to enter additional tracks into the program memory.
5. When all the desired tracks have been programmed. Press the "PLAY / PAUSE" button to play the disc in the order you have programmed and the program indicator flashes.



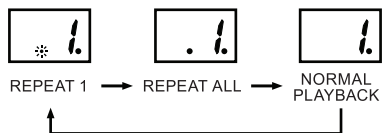
6. Press the "STOP" button twice to terminate programmed play and the program indicator will turn off.

## REPEAT

Press the "REPEAT" button before or during playing CD, a single track or all the tracks can be repeated.

Each press switches the repeat mode as follows:

- 1 - REPEAT 1 (The repeat indicator is flashing.)
- 2 - REPEAT ALL (The repeat indicator is steadily on.)
- 3 - NORMAL PLAYBACK



## Specifications

### Specifications

Power supply:

AC: 230V~50Hz SUPPLY

DC:

(6 x 1.5 V type C or UM-2 batteries)

Power output:

2 x 1 W (RMS)

Power consumption:

10 Watt

Dimensions of unit (LxWxH):

290\*238\*141mm

Weight:

1.80kg

FM Freq-Range:

FM 87,5-108 MHz

AM frequency range

540 - 1600 kHz

Antenna:

TELESCOPIC ROD ANTENNA.

CD section:

TOP LOADING CD PLAYER.

2 Digit red LED display

Single Cassette Recording

# SENCOR®

## EN Warranty conditions

Warranty card is not a part of the device packaging.

This product is warranted for the period of 24 months from the date of purchase to the end-user. Warranty is limited to the following conditions. Warranty is referred only to the customer goods using for common domestic use. The claim for service can be applied either at dealer's shop where the product was bought, or at below mentioned authorized service shops. The end-user is obligated to set up a claim immediately when the defects appeared but only till the end of warranty period. The end user is obligated to cooperate to certify the claiming defects. Only completed and clean (according to hygienic standards) product will be accepted. In case of eligible warranty claim the warranty period will be prolonged by the period from the date of claim application till the date of taking over the product by end-user, or the date the end-user is obligated to take it over. To obtain the service under this warranty, end-user is obligated to certify his claim with duly completed following documents: receipt, certificate of warranty, certificate of installation.

### **This warranty is void especially if apply as follows:**

- Defects which were put on sale.
- Wear-out or damage caused by common use.
- The product was damaged by unprofessional or wrong installation, used in contrary to the applicable instruction manual, used in contrary to legal enactment and common process of use or used for another purpose which has been designed for.
- The product was damaged by uncared-for or insufficient maintenance.
- The product was damaged by dirt, accident of force majeure (natural disaster, fire, and flood).
- Defects on functionality caused by low duality of signal, electromagnetic field interference etc.
- The product was mechanically damaged (e.g. broken button, fall).
- Damage caused by use of unsuitable media, fillings, expendable supplies (batteries) or by unsuitable working conditions (e.g. high temperatures, high humidity, quakes).
- Repair, modification or other failure action to the product by unauthorized person.
- End-user did not prove enough his right to claim (time and place of purchase).
- Data on presented documents differs from data on products.
- Cases when the claiming product cannot be indentified according to the presented documents (e.g. the serial number or the warranty seal has been damaged).

### **Authorized service centers**

Visit [www.sencor.eu](http://www.sencor.eu) for detailed information about authorized service centers.

## **INSTRUCTIONS AND INFORMATION REGARDING THE DISPOSAL OF USED PACKAGING MATERIALS**

Take the packaging material to a designated municipal waste facility.

### **DISPOSAL OF USED ELECTRICAL AND ELECTRONIC EQUIPMENT**



This symbol on products or original documents means that used electric or electronic products must not be added to ordinary municipal waste. For proper disposal and recycling, take these products to designated collection points. Alternatively, in some European Union states or other European countries you may return your appliances to the local retailer when buying an equivalent new appliance. Through the correct disposal of this product you will help retain valuable natural resources and prevent potential negative effects on the environment, which could result from its incorrect disposal of waste. Ask your local authorities or collection facility for more details. In accordance with national regulations penalties may be imposed for the incorrect disposal of this type of waste.

#### **For business entities in European Union states**

If you want to dispose of electric or electronic devices, ask your retailer or supplier for the necessary information.

#### **Disposal in other countries outside the European Union**

This symbol is valid in the European Union. If you wish to discard this product, ask your local authorities or retailer about proper disposal.



This product meets all the basic requirements of EU directives that apply to it.

Changes to the text, design and technical specifications may occur without prior notice and we reserve the right to make these changes.