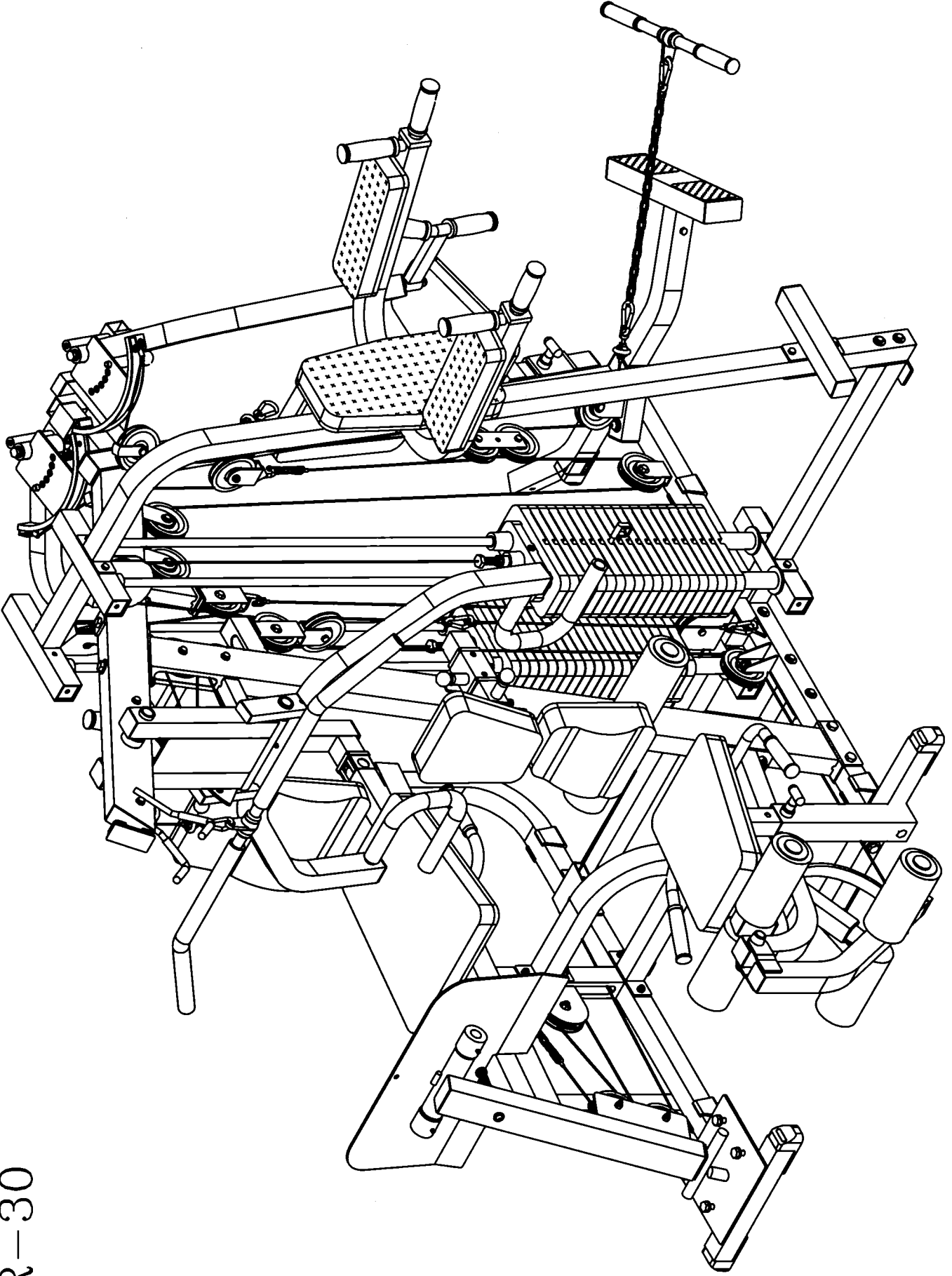


VKR-30



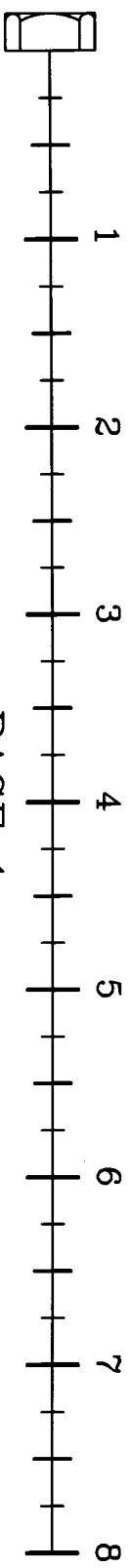
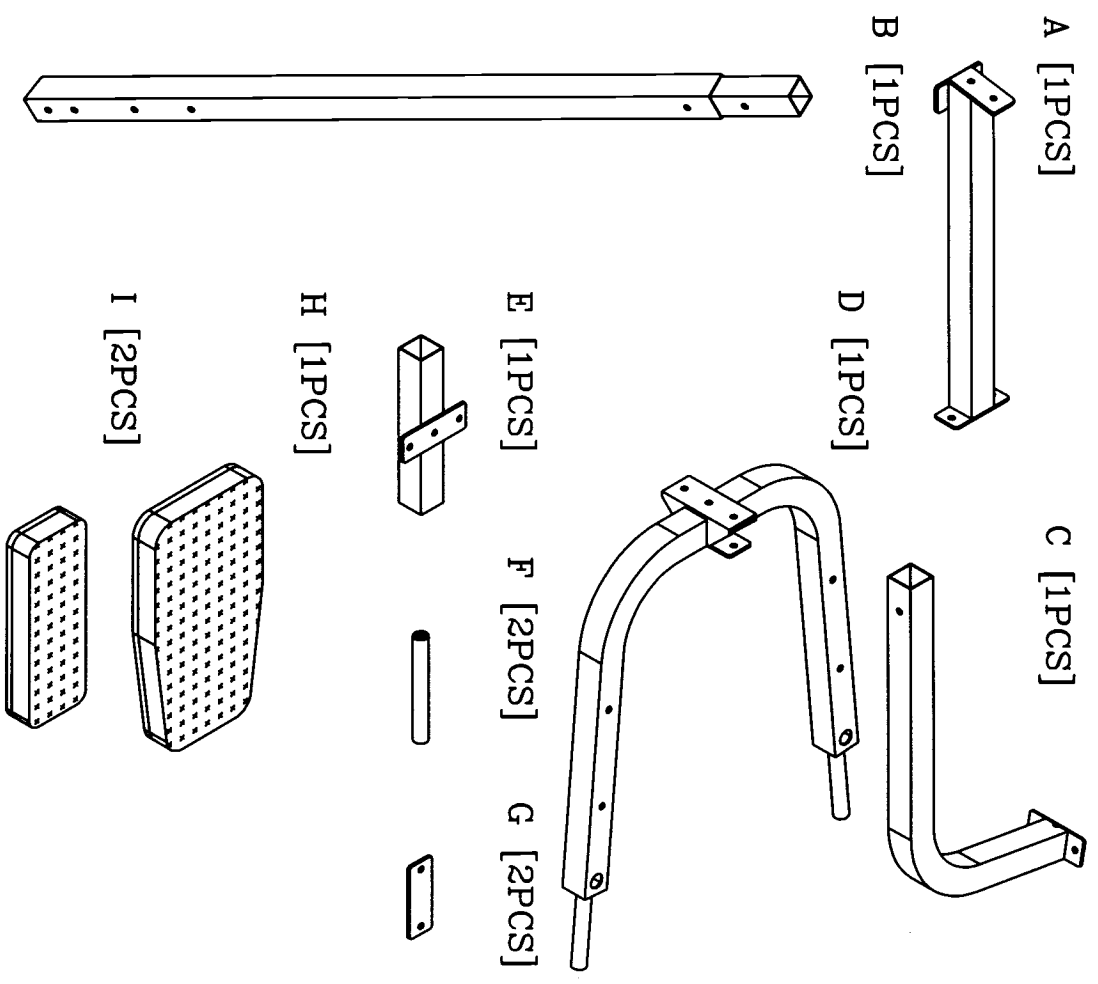
VERSION 0009

HARDWARE ILLUSTRATION SHEET

PARTS ILLUSTRATION SHEET

A1.	3/8"x3" HEX HEAD BOLT	[2PCS]
A2.	3/8"x2 3/4" HEX HEAD BOLT	[6PCS]
A3.	3/8"x2 1/2" HEX HEAD BOLT	[2PCS]
A4.	5/16"x2 3/4" HEX HEAD BOLT	[4PCS]
A5.	5/16"x1" HEX HEAD BOLT	[2PCS]
B1.	3/8" NYLON LOCK NUT	[8PCS]
C1.	3/8" (I.D.)WASHER	[6PCS]
C2.	5/16" (I.D.)WASHER	[6PCS]
C3.	5/16" SPRING WASHER	[6PCS]
D1.	2"x2"X1.8t END CAP (9211-005)	[2PCS]
D2.	95X140mm NO-SLIP TAPE (9310-035)	[2PCS]
D3.	2"x2" END CAP (9211-040)	[2PCS]
D4.	Ø1"X135 RUBBER GRIP (9212-017)	[4PCS]

A1	A2	A3	A4	A5
B1	C1	C2	C3	
D1	D2	D3	D4	



VKR-30

