



OWNER'S MANUAL
MANUEL DU PROPRIÉTAIRE
MANUAL DEL PROPIETARIO



WASHING MACHINE Owner's Manual.....	1 - 10
MACHINE À LAVER Manuel du propriétaire.....	11 - 20
LAVADORA DE ROPA Manual del propietario.....	21 - 30

MODEL • MODÈLE • MODELO DWM12C1WDB
--



Welcome to the Danby family.

We are proud of our quality products and we believe in dependable service. We suggest that you read this owner's manual before plugging in your new appliance as it contains important operation information, safety information, troubleshooting, and maintenance tips to ensure the reliability and longevity of your appliance.

You are entitled to the warranty coverage as described in the owner's manual provided with your new appliance.

1. Please write down your appliance information below. **You must keep the original proof of purchase receipt to validate and receive warranty services.**
2. Register your product online and receive a **FREE 2 MONTH WARRANTY EXTENSION** after filling out a product survey, at www.danby.com/support/product-registration/

Model Number: _____

Serial Number: _____

Date of Purchase: _____

Need Help?

1. Read your Owner's Manual for installation help, troubleshooting, and maintenance assistance.
2. Visit www.Danby.com to access self-service tools, FAQs and much more by searching your model number in the search bar.
3. For the **Quickest Customer Service**, please fill out the web form at www.danby.com/support. Your submission will go directly to an expert on your particular appliance. Our average response times are between 20 minutes and 2 hours, during EST business hours.
4. Call **1-800-263-2629** - please note that during peak hours, hold times can exceed one hour.



Important Safety Information

READ AND FOLLOW ALL SAFETY INSTRUCTIONS

SAFETY INSTRUCTIONS

WARNING: To reduce the risk of fire, electric shock or injury to persons when using this appliance, follow basic safety precautions, including the following:

- Do not wash articles that have been previously cleaned in, washed in, soaked in or spotted with gasoline, dry-cleaning solvents or other flammable or explosive substances as they give off vapors that could ignite or explode.
- Do not add gasoline, dry-cleaning solvents or other flammable or explosive substances to the wash water as they give off vapors that could ignite or explode.
- Under certain conditions, hydrogen gas may be produced in a hot water system that has not been used for 2 weeks or more. **HYDROGEN GAS IS EXPLOSIVE.** If the hot water system has not been used for such a period, turn on all hot water faucets and let the water flow for several minutes before using the washing machine. This will release any accumulated hydrogen gas. Do not smoke or use an open flame during this process.
- Do not reach into the appliance if the tub or agitator is moving.
- Do not install or store this appliance where it will be exposed to the weather.
- Do not tamper with the controls.
- Do not repair or replace any part of the appliance or attempt any servicing unless specifically recommended in the user maintenance instructions or in published user repair instructions that you understand and have the skills to carry out.
- Do not operate the appliance when the water pressure is lower than 14 PSI or higher than 70 PSI to avoid damage to the inlet system.

This appliance is not intended for use by persons (including children) whose physical, sensory or mental capabilities may be different or reduced, or who lack experience or knowledge, unless such persons receive supervision or training to operate the appliance by a person responsible for their safety.

GROUNDING INSTRUCTIONS

This appliance must be grounded. Grounding reduces the risk of electrical shock by providing an escape wire for the electrical current.

This appliance has a cord that has a grounding wire with a 3-prong plug. The power cord must be plugged into an outlet that is properly grounded. If the outlet is a 2-prong wall outlet, it must be replaced with a properly grounded 3-prong wall outlet. The serial rating plate indicates the voltage and frequency the appliance is designed for.

WARNING - Improper use of the grounding plug can result in a risk of electric shock. Consult a qualified electrician or service agent if the grounding instructions are not completely understood, or if doubt exists as to whether the appliance is properly grounded.

Do not connect your appliance to extension cords or together with another appliance in the same wall outlet. Do not splice the power cord. Do not under any circumstances cut or remove the third ground prong from the power cord. Do not use extension cords or ungrounded (two prongs) adapters.

If the power supply cord is damaged, it must be replaced by the manufacturer, its service agent or similar qualified person in order to avoid hazard.

Any questions concerning power or grounding should be directed toward a certified electrician.

DANGER: Risk of child entrapment. Children must be supervised around this appliance. Ensure that the lid is removed before discarding this appliance.

SAVE THESE INSTRUCTIONS!

INSTALLATION INSTRUCTIONS

LOCATION

- Two people should be used when moving the appliance.
- Remove interior and exterior packaging prior to installation. Remove the packing box and list the washer up and away from the foam base cushion. Remove the accessories and the protective foam from the inside of the cabinet. Ensure that you do not throw away the noise proof plate on the top of the packaging.
- Wipe the outside of the appliance with a soft, dry cloth and the inside with a lukewarm wet cloth. Do not spray the appliance with water.
- Place the appliance on a level floor that is strong enough to support it when it is fully loaded, in a room that has convenient access to a water supply and drain, has low moisture and humidity and does not freeze in winter.
- Do not place the appliance on carpeted flooring as this can block the lower ventilation openings.
- Keep the appliance away from heat sources and out of direct sunlight. Excessive heat or sunlight can deform or discolour the appliance.
- This appliance is intended for household use only. It is not designed for outside installation, including anywhere that is not temperature controlled such as garages, porches, vehicles, etc, because water lines may freeze.

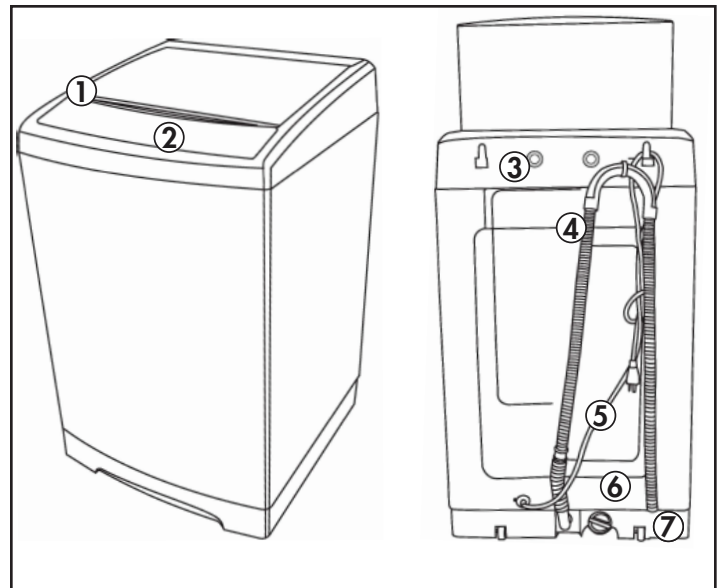
DIMENSIONS

The dimensions of this appliance are 60.1 cm (23.7 inches) wide, 63 cm (24.8 inches) deep, 100 cm (39.4 inches) tall with the lid closed and 143 cm (56.3 inches) tall with the lid open.

This appliance requires at least 2.5 cm (1 inch) of space on both sides, 15.2 cm (6 inches) of space at the back, 5 cm (2 inches) of space at the front and at least 61 cm (24 inches) of space above to allow room for the lid to open.

FEATURES

1. Lid
2. Control panel
3. Water inlet
4. Drain hose
5. Power cord
6. Water pump filter
7. Rollers



LEVELING INSTRUCTIONS

It is important that the appliance is level to help avoid unbalanced loads and excessive noise.

The leveling foot is located on the front right side of the appliance. There is a solid foot on the front left side of the appliance and there are two rollers on the back.

1. Turn the leveling foot counter-clockwise until the top of the foot is touching the bottom of the cabinet.
2. Slowly turn the leveling foot clockwise until the appliance is level.

INSTALLATION INSTRUCTIONS

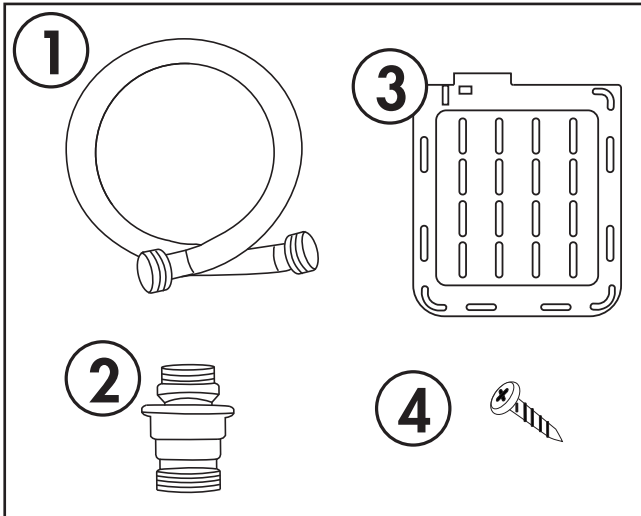
ACCESSORIES AND PREPARATION

You will need the following tools to install the washer:

- Wrench
- Pliers
- Screwdriver

Ensure that all provided accessories are present and accounted for:

1. Two water supply hoses
2. One quick connect adapter
3. One noise proof plate
4. Two screws



NOISE PROOF PLATE INSTALLATION

The noise proof plate will help to muffle excessive noise from the appliance during agitation. Follow the steps below to install the noise proof plate.

1. Remove the noise proof plate from the packaging. It will be shipped on top of the appliance at the top of the box.
2. Slide the noise proof plate into the channel in the base of the appliance and secure with the provided screw.

WATER SUPPLY

The water supply faucet must fit standard 3/4" (19.05 mm) female garden hose couplings. Do not use slip-on or clamp-on connections as the water pressure may cause them to leak.

Tighten all connections by hand until they are snug and then tighten them another quarter turn with a wrench to ensure they are secure.

Check all connections for leaks before using the appliance. If leaks are detected, it may be necessary to add a rubber washer or Teflon tape to the connection.

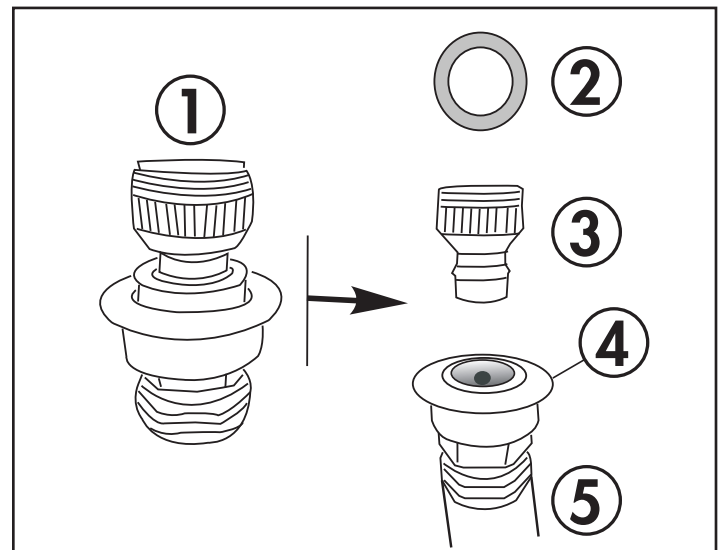
Ensure that the hot water faucet is connected to the hot water intake and that the cold water faucet is connected to the cold water intake on the back of the appliance.

Using the quick connect assembly

The quick connect assembly can be used to connect the appliance to a kitchen or bathroom faucet to provide water to the appliance.

A breakdown of the quick connect assembly is below.

1. Quick connect assembly
2. Rubber washer
3. Faucet adapter
4. White locking collar
5. Water inlet hose

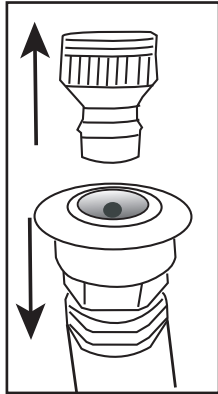


INSTALLATION INSTRUCTIONS

Connecting the quick connect to the water supply

Remove the aerator from the faucet before attaching the faucet adapter.

Pull down on the locking collar and pull up on the faucet adapter to remove the adapter from the assembly and then install the adapter on the faucet.



Turn on the faucet to check for leaks at the connection before continuing. If leaks are present, it may be necessary to wrap the faucet adapter or the faucet with Teflon tape before connecting the adapter to the faucet.

Pull down on the locking collar and push the quick connect assembly onto the bottom of the faucet adapter. Release the locking collar to attach the quick connect to the faucet.

Attach one end of the water inlet hose to the quick connect assembly. Place the other end of the hose in the sink and turn on the water supply to clear the hose of any dust. When the water runs clear, turn off the water supply and connect the hose to the water inlet connection on the top of the appliance.

DRAIN HOSE INSTALLATION

The drain hose will arrive pre-attached to the appliance. During operation of the appliance, the drain hose should be directed toward a sink or drain to catch the discarded water as it exits the appliance.

When running the drain hose to a drain, ensure that there are no bends in the hose as this can cause a blockage and impede the drain function.

The drain hose can be directed upward toward a sink or bucket but ensure that the hose does not rise more than 100 cm (39 in) from the ground as this can impact the drain function.

DETERGENT

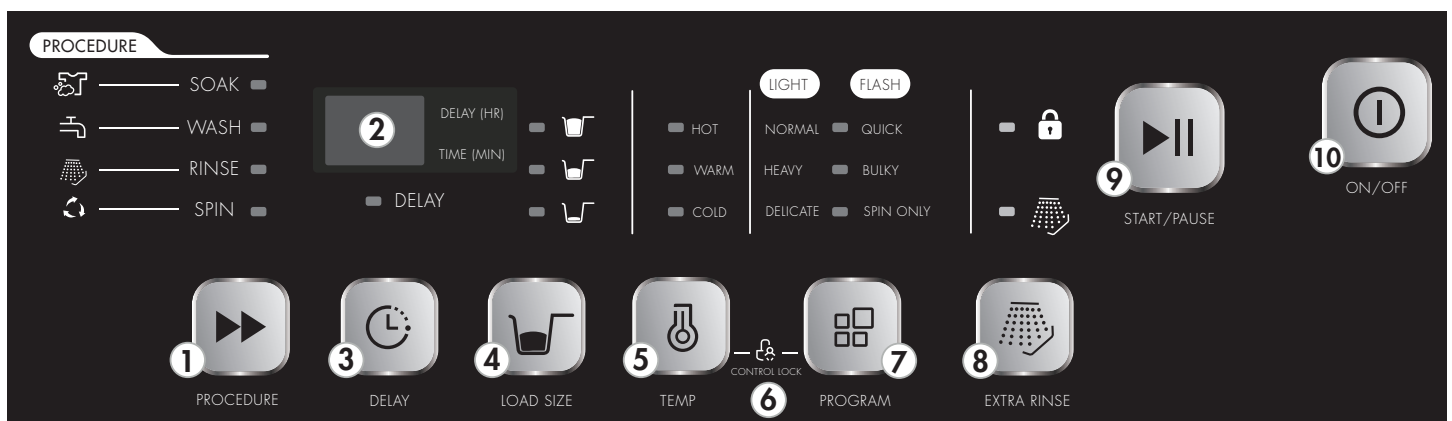
This appliance is designed for high efficiency powder detergent. It is recommended to use 1/4 to 1/2 of the amount of detergent recommended by the detergent manufacturer. Remember to reduce the amount of detergent if the load is small or lightly soiled or if the water supply is very soft water.

Detergent can be placed directly into the washer tub. Do not pour liquid bleach directly onto the wash load as this can damage fabric.

OPERATING INSTRUCTIONS

CONTROL PANEL

1. Procedure button: Press to select the steps included in the wash cycle. The light will illuminate to show which steps are active. Normally all steps are included and all lights will be on: soak, wash, rinse and spin.
2. Display panel: The display will show the estimated minutes remaining in the current cycle. If delay start is set, the display will count down the time until the cycle begins and then change to showing the remaining minutes in the cycle once the program begins.
3. Delay start button: Press to set the desired time before the wash program begins.
4. Load size button: Press to set the wash load size. This setting will decide the water level. The light will illuminate to show which level is active.
5. Temperature button: Press to set the water temperature. The light will illuminate to show which temperature setting is active. Note that the temperature is for the wash cycle only. All rinse cycles are completed with cold water.
6. Control lock: Press and hold the temperature button and the program button at the same time for 3 seconds to set the control panel lock. Buttons on the control panel cannot be pressed while the lock is active. Press and hold the temperature button and the program button at the same time for 3 seconds to clear the control panel lock.
7. Program button: Press to select the desired wash program, normal, heavy, delicate, quick, bulky or spin only. The light will illuminate to show which program is active.
8. Extra rinse button: Press to add an extra rinse cycle to the wash program.
9. Start/Pause button: Press to start a chose wash program. Press during operation to pause a wash cycle while it is running. Press again to continue the cycle.
10. Power button: Press this button to turn the appliance on or off.



OPERATING INSTRUCTIONS

PROGRAM SELECTION

Use the instructions below to choose the desired program.

1. Press the power button to turn the appliance on.
2. Sort laundry before placing in the washer. Ensure all loose objects such as coins and keys are removed from pockets. Sort laundry by fabric type, soil level, colour and load size as needed.
3. Load the washer by dropping items loosely into the tub. Do not pack items tightly. Do not overload the tub as this can cause excess wear and reduce washing efficiency.
4. Add detergent as desired.
5. Use the program button to choose the desired wash program.
6. Use the water level button to choose the desired water level.
7. Use the procedure button to choose which steps should be included in the wash program. Leave all steps included to allow the wash program to perform all four steps of the program.
8. Use the temperature button to choose the desired water temperature. Note that the temperature is for the wash cycle only. All rinse cycles are completed with cold water.
9. If desired, use the delay start button to set the amount of time to delay the start of the wash program. The display will change from minutes to hours. Each press of the delay button will add 1 hour to the time, to a maximum of 24 hours.
10. If desired, use the extra rinse button to add an extra rinse cycle to the wash program.
11. Press the start/pause button to begin the wash program. When the program begins, the estimated time remaining will count down on the display. If delay start is set, the display will count down to the beginning of the cycle and then change to count down the wash program time once the cycle starts.

FUNCTION INSTRUCTION

Prior to starting a new program, check the following:

- The drain hose is in the correct position.
- There are no leaks in the inlet hose when the faucet is turned on.
- The power cord is properly plugged into a three prong grounded outlet.
- All coins and loose items have been removed from clothing.
- Place clothing into the washing machine. Drop items loosely into the tub. Do not pack items tightly. Items must be able to move freely through the wash water for best cleaning results.
- Follow the instructions to set the desired wash program.
- Normal is the recommended cycle to wash a full load of normally soiled cotton or linen clothing.
- Close the door and press the start/pause button to begin the desired program.
- A wash program can be paused once it is in operation by pressing the start/pause button. When pausing a wash program, wait until the tub has completely stopped moving before opening the door.
- The appliance will not operate if the door is open.
- When a program is finished, an alarm will sound.

CARE & MAINTENANCE

CLEANING

Before performing any cleaning or maintenance, ensure that the water inlet hose has been disconnected and that the power cord has been unplugged.

Clean the outside of the appliance with a warm, damp cloth. Avoid using detergents or chemicals as this can damage or discolor the cabinet.

LINT FILTER

The lint filter is on the interior of the wash tub and should be cleaned approximately every 10 cycles. Remove the lint filter from the tub, open it and remove any lint that has accumulated. It can be rinsed under cold water but do not use detergents or chemicals. Ensure that the lint filter is replaced in the appliance before beginning a new program.

PUMP FILTER

The pump filter is on the back of the appliance and should be cleaned once a month. Remove the filter from the rear of the appliance and rinse it under cold water. Ensure the pump filter is replaced in the appliance before beginning a new program.

WATER INLET

The water inlet may require periodic cleaning to remove debris or hard water build up. Ensure the water inlet hose has been disconnected from the appliance. Remove the filter screen from the inlet valve and remove any debris or hard water build up. The filter screen can be rinsed under cold water to remove any build up. Ensure that the filter screen is replaced in the water inlet valve before reattaching the water inlet hose.

VINEGAR RINSE

A rinse of vinegar and water can be run through the washing machine to remove any stains on the inner tub or any lingering odors.

Place 1/2 cup of vinegar in the washing machine and choose the highest water level. Allow the appliance to run a full wash program with no laundry to remove stains and odors.

ERROR CODES

E1 - No water flow

- Check that the water source is turned on.
- Check the water pressure.
- Check that the water inlet filter screen is clean.
- Check that the drain hose is installed correctly.

E2 - Water will not drain

- Check if the drain is clogged.
- The drain motor may not be operating correctly.

E3 - Lid is open

- Ensure that the lid is completely closed.

E4 - Unbalanced load

- Ensure that the load is balanced inside the tub.

TROUBLESHOOTING

PROBLEM	POSSIBLE CAUSE
Washer does not operate	<ul style="list-style-type: none">• Not plugged in.• The circuit breaker tripped or a blown fuse.• The lid is not closed.• The water source is not turned on.
No water or insufficient water supply	<ul style="list-style-type: none">• The water source is not turned on.• The water inlet hose is bent.• The filter screen in the water inlet is clogged.
The washing machine does not drain	<ul style="list-style-type: none">• The drain hose is bent.• There is a problem with the drain pump.
Washing machine vibrates or is too noisy	<ul style="list-style-type: none">• The washer is not level.• The washing machine is touching another object.• The laundry load is not balanced.
Washing machine does not spin	<ul style="list-style-type: none">• The lid is not closed.• The washer is not level.
Water filling and draining at the same time	<ul style="list-style-type: none">• Ensure drain hose is elevated 0.7 m to 1.2 m off the floor; if the drain hose is too low it can cause water to siphon out of the appliance as it fills
Cabinet leaking from bottom	<ul style="list-style-type: none">• Tub is overloaded• Water level is too high for the amount of washing

LIMITED "IN HOME" WARRANTY

This quality product is warranted to be free from manufacturer's defects in material and workmanship, provided that the unit is used under the normal operating conditions intended by the manufacturer.

This warranty is available only to the person to whom the unit was originally sold by Danby Products Limited (Canada) or Danby Products Inc. (U.S.A.) (hereafter "Danby") or by an authorized distributor of Danby, and is non-transferable.

TERMS OF WARRANTY

Plastic parts are warranted for thirty (30) days from the date of purchase, with no extensions provided.

First 12 months During the first **twelve (12) months**, any functional parts of this product found to be defective, will be repaired or replaced, at warrantor's option, at no charge to the original purchaser.

To obtain service Contact the dealer where the unit was purchased, or contact the nearest authorized Danby service depot, where service must be performed by a qualified service technician. If service is performed on the unit by anyone other than an authorized service depot, all obligations of Danby under this warranty shall be void.

Boundaries of in-home service Danby reserves the right to limit the boundaries of "In Home Service" to the proximity of an authorized service depot. Any appliance requiring service outside the limited boundaries of "In Home Service", will be the consumer's responsibility to transport at their own expense to the original point of purchase or a service depot for repair. If the appliance is installed in a location that is **100 kilometers (62 miles)** or more from the nearest service center, it must be delivered to the nearest authorized Danby Service Depot by the purchaser.

Transportation charges to and from the service location are not protected by this warranty and are the responsibility of the purchaser.

Nothing within this warranty shall imply that Danby will be responsible or liable for any spoilage or damage to food or other contents of this appliance, whether due to any defect of the appliance, or its use, whether proper or improper.

EXCLUSIONS

Save as herein provided, by Danby, there are no other warranties, conditions, representations or guarantees, express or implied, made or intended by Danby or its authorized distributors and all other warranties, conditions, representations or guarantees, including any warranties, conditions, representations or guarantees under any Sale of Goods Act or like legislation or statute is hereby expressly excluded. Save as herein provided, **Danby shall not be responsible for any damages to persons or property, including the unit itself, howsoever caused or any consequential damages arising from the malfunction of the unit and by the purchase of the unit, the purchaser does hereby agree to indemnify and hold harmless Danby from any claim for damages to persons or property caused by the unit.**

GENERAL PROVISIONS

No warranty or insurance herein contained or set out shall apply when damage or repair is caused by any of the following:

- 1) Power failure.
- 2) Damage in transit or when moving the appliance.
- 3) Improper power supply such as low voltage, defective house wiring or inadequate fuses.
- 4) Accident, alteration, abuse or misuse of the appliance such as inadequate air circulation in the room or abnormal operating conditions (ie. extremely high or low room temperature).
- 5) Use for commercial or industrial purposes (ie. If the appliance is not installed in a domestic residence).
- 6) Fire, water damage, theft, war, riot, hostility, acts of God such as hurricanes, floods etc.
- 7) Service calls resulting in customer education.
- 8) Improper Installation (ie. Building-in of a free standing appliance or using an appliance outdoors that is not approved for outdoor application, including but not limited to: garages, patios, porches or anywhere that is not properly insulated or climate controlled).

Proof of purchase date will be required for warranty claims; retain bills of sale. In the event that warranty service is required, present the proof of purchase to our authorized service depot.

**Warranty Service
In Home**

Danby Products Limited
PO Box 1778, Guelph, Ontario, Canada N1H 6Z9
Telephone: (519) 837-0920 FAX: (519) 837-0449

**1-800-263-2629
04/17**

Danby Products Inc.
PO Box 669, Findlay, Ohio, U.S.A. 45840
Telephone: (419) 425-8627 FAX: (419) 425-8629

Bienvenue dans la famille Danby.

Nous sommes fiers de nos produits de qualité et nous croyons en un service fiable. Nous vous suggérons de lire ce manuel du propriétaire avant de brancher votre nouvel appareil car il contient des informations de fonctionnement importantes, des informations de sécurité, des conseils de dépannage et d'entretien pour assurer la fiabilité et la longévité de votre appareil.

Vous avez droit à la couverture de la garantie décrite dans le manuel du propriétaire fourni avec votre nouvel appareil.

1. Veuillez noter ci-dessous les informations relatives à votre appareil. Vous devez conserver la preuve d'achat originale pour valider et bénéficier des services de garantie.
2. Enregistrez votre produit en ligne et recevez une **PROLONGATION DE GARANTIE GRATUITE DE 2 MOIS** après avoir rempli une enquête sur les produits, à l'adresse www.danby.com/support/product-registration/

Numéro de modèle : _____

Numéro de série : _____

Date d'achat : _____

Besoin d'assistance?

1. Lisez votre manuel du propriétaire pour obtenir de l'aide à l'installation, au dépannage et à la maintenance.
2. Visitez www.Danby.com pour accéder aux outils en libre-service, aux FAQ et bien plus encore en recherchant votre numéro de modèle dans la barre de recherche.
3. Pour bénéficier du **service client le plus rapide**, veuillez remplir le formulaire Web à l'adresse www.danby.com/support. Votre soumission ira directement à un expert de votre appareil particulier. Nos temps de réponse moyens sont compris entre 20 minutes et 2 heures, pendant les heures ouvrables EST.
4. Composez le **1-800-263-2629** - veuillez noter que pendant les heures de pointe, les temps d'attente peuvent dépasser une heure.



Consignes de sécurité importantes

LIRE ET SUIVRE TOUTES LES INSTRUCTIONS DE SÉCURITÉ

CONSIGNES DE SÉCURITÉ

ATTENTION: Pour réduire le risque d'incendie, d'électrocution ou de blessures lors de l'utilisation de cet appareil, suivez les consignes de sécurité de base, y compris les suivantes:

- Ne lavez pas les produits préalablement nettoyés, lavés, imprégnés d'essence, de solvants pour le nettoyage à sec ou d'autres substances inflammables ou explosives, car ils éliminent les vapeurs qui pourraient s'enflammer ou exploser.
- N'ajoutez pas d'essence, de solvants de nettoyage à sec ou d'autres substances inflammables ou explosives à l'eau de lavage car elles dégagent des vapeurs qui pourraient s'enflammer ou exploser.
- Sous certaines conditions, un gaz hydrogène peut être produit dans un système d'eau chaude qui n'a pas été utilisé pendant 2 semaines ou plus. **LE GAZ À L'HYDROGÈNE EST EXPLOSIF.** Si le système d'eau chaude n'a pas été utilisé pendant une telle période, allumez tous les robinets à eau chaude et laissez l'eau s'écouler pendant plusieurs minutes avant d'utiliser la machine à laver. Cela libérera tout gaz hydrogène accumulé. Ne pas fumer ou utiliser une flamme nue pendant ce processus.
- Ne placez pas dans l'appareil si la baignoire ou l'agitateur bouge.
- Ne pas installer ou stocker cet appareil là où il sera exposé aux intempéries.
- Ne manipulez pas les commandes.
- Ne réparez pas ou ne remplacez aucune partie de l'appareil ou ne tentez pas d'entretien, à moins d'être spécifiquement recommandé dans les instructions d'entretien de l'utilisateur ou dans les instructions de réparation d'utilisateur publiées que vous comprenez et possédez les compétences à effectuer.
- Ne faites pas fonctionner l'appareil lorsque la pression de l'eau est inférieure à 14 PSI ou supérieure à 70 MPa pour éviter d'endommager le système d'entrée.

Cet appareil n'est pas destiné à être utilisé par des personnes (y compris des enfants) dont les capacités physiques, sensorielles ou mentales peuvent être différentes ou réduites, ou qui ont de l'expérience ou des connaissances, à moins que ces personnes ne soient surveillées ou formées pour faire fonctionner l'appareil par une personne responsable de leur sécurité.

INSTRUCTIONS DE MISE À LA TERRE

Cet appareil doit être mis à la terre. La mise à la terre réduit le risque de choc électrique en fournissant un fil d'échappement pour le courant électrique.

Cet appareil dispose d'un cordon doté d'un fil de mise à la terre avec une fiche à 3 broches. Le cordon d'alimentation doit être branché sur une prise correctement mise à la terre. Si la sortie est une prise murale à 2 broches, elle doit être remplacée par une prise murale à 3 broches correctement mise à la terre. La plaque signalétique en série indique la tension et la fréquence auxquelles l'appareil est conçu.

ATTENTION - Une utilisation incorrecte de la fiche de mise à la terre peut entraîner un risque de choc électrique. Consultez un électricien qualifié ou un agent de service si les instructions de mise à la terre ne sont pas complètement comprises, ou s'il existe un doute quant à savoir si l'appareil est correctement mis à la terre.

Ne connectez pas votre appareil aux rallonges ou avec un autre appareil dans la même prise murale. Ne pas épisser le cordon d'alimentation. En aucun cas, couper ou retirer la troisième broche du cordon d'alimentation. N'utilisez pas de cordons de prolongement ou d'adaptateurs sans mise à la terre (deux broches).

Si le cordon d'alimentation est endommagé, il doit être remplacé par le fabricant, son agent de service ou une personne qualifiée similaire afin d'éviter tout risque.

Toute question concernant l'alimentation électrique ou la mise à la terre devrait être dirigée vers un électricien agréé.

DANGER: Risque de piégeage des enfants. Les enfants doivent être surveillés autour de cet appareil. Assurez-vous que le couvercle est retiré avant de jeter cet appareil.

GARDEZ CES INSTRUCTIONS!

INSTRUCTIONS D'INSTALLATION

EMPLACEMENT

- Deux personnes doivent être utilisées lors du déplacement de l'appareil.
- Retirez l'emballage intérieur et extérieur avant l'installation. Retirez la boîte d'emballage et répertoriez la laveuse à l'écart du coussin de base en mousse. Retirez les accessoires et la mousse de protection de l'intérieur de l'armoire.
- Essuyez l'extérieur de l'appareil avec un chiffon doux et sec et l'intérieur avec un chiffon humide et tiède. Ne pas pulvériser l'appareil avec de l'eau.
- Placez l'appareil sur un sol suffisamment solide pour le supporter lorsqu'il est entièrement chargé, dans une pièce permettant un accès facile à un point d'eau, un faible taux d'humidité et le taux d'humidité ne gèlent pas en hiver.
- Ne placez pas l'appareil sur un sol recouvert de moquette car cela pourrait obstruer les ouvertures de ventilation inférieures.
- Tenez l'appareil à l'écart des sources de chaleur et des rayons directs du soleil. Une chaleur excessive ou la lumière du soleil peut déformer ou décolorer l'appareil.
- Cet appareil est destiné à un usage domestique uniquement. Il n'est pas conçu pour une installation à l'extérieur, y compris dans les endroits où la température n'est pas contrôlée, tels que les garages, les porches, les véhicules, etc., car les conduites d'eau risquent de geler.

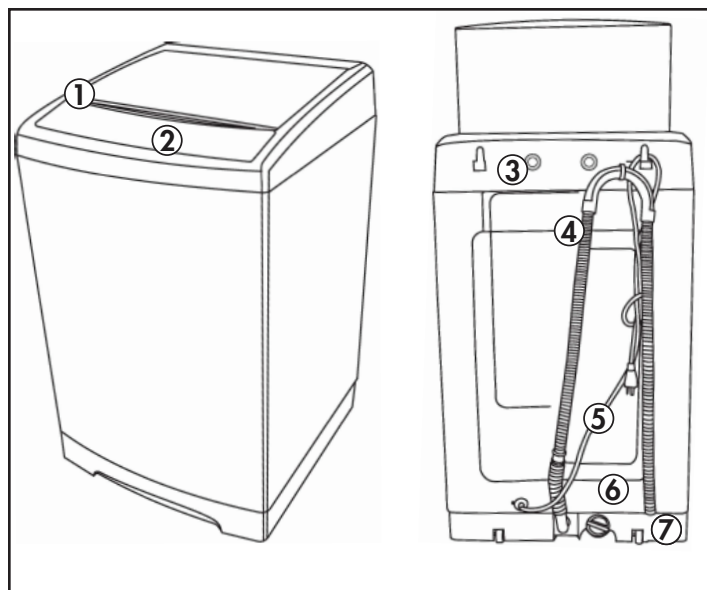
DIMENSIONS

Les dimensions de cet appareil sont de 60,1 cm (23,7 pouces) de largeur, 63 cm (24,8 pouces) de profondeur, 100 cm (39,4 pouces) de hauteur avec le couvercle fermé et 143 cm (56,3 pouces) de hauteur avec le couvercle ouvert.

Cet appareil nécessite au moins 2,5 cm (1 pouce) d'espace des deux côtés, 15,2 cm (6 pouces) à l'arrière, 5 cm (2 pouces) à l'avant et au moins 61 cm (24 pouces) de espace au-dessus pour permettre au couvercle de s'ouvrir.

CARACTÉRISTIQUES

1. Couvercle
2. Panneau de contrôle
3. Arrivée d'eau
4. Tuyau de drainage
5. Cordon d'alimentation
6. Filtre de pompe à eau
7. Patin à roulettes



INSTRUCTIONS DE NIVEAU

Il est important que l'appareil soit de niveau pour éviter les charges non équilibrées et le bruit excessif.

Le pied de nivellement est situé sur le côté avant droit de l'appareil. Il y a un pied solide sur le côté avant gauche de l'appareil et il y a deux rouleaux à l'arrière.

1. Tournez le pied de nivellement dans le sens antihoraire jusqu'à ce que le haut du pied touche le bas de l'armoire.
2. Tournez lentement le pied de nivellement dans le sens des aiguilles d'une montre jusqu'à ce que l'appareil soit à niveau.

INSTRUCTIONS D'INSTALLATION

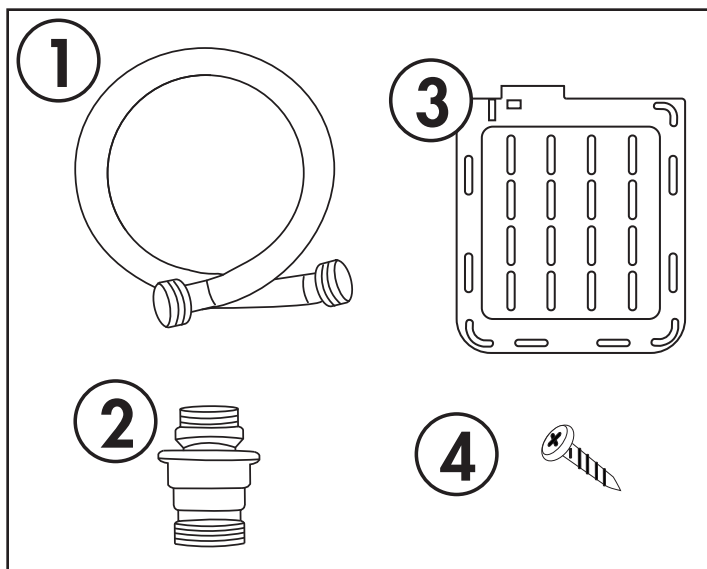
ACCESSOIRES ET PRÉPARATION

Vous aurez besoin des outils suivants pour installer la laveuse:

- Clé
- Pinces
- Tournevis

Assurez-vous que tous les accessoires fournis sont présents et pris en compte:

1. Deux tuyaux d'alimentation en eau
2. Un adaptateur de connexion rapide
3. Une plaque anti-bruit
4. Deux vis



INSTALLATION DE PLAQUE ANTI-BRUIT

La plaque antibruit aidera à atténuer le bruit excessif de l'appareil pendant l'agitation. Suivez les étapes ci-dessous pour installer la plaque antibruit.

1. Retirez la plaque anti-bruit de l'emballage. Il sera expédié sur le dessus de l'appareil en haut de la boîte.
2. Faites glisser la plaque antibruit dans le canal situé à la base de l'appareil et fixez-la à l'aide des vis fournies.

APPROVISIONNEMENT EN EAU

Le robinet d'alimentation en eau doit être adapté aux raccords femelles standard de tuyau de jardin de 3/4 po (19,05 mm). N'utilisez pas de raccords à glissière ou à pince car la pression de l'eau pourrait provoquer une fuite.

Serrez toutes les connexions à la main jusqu'à ce qu'elles soient bien ajustées, puis serrez-les d'un quart de tour avec une clé pour vous assurer qu'elles sont bien en place.

Vérifiez toutes les connexions pour les fuites avant d'utiliser l'appareil. Si des fuites sont détectées, il peut être nécessaire d'ajouter une rondelle en caoutchouc ou du ruban téflon au raccord.

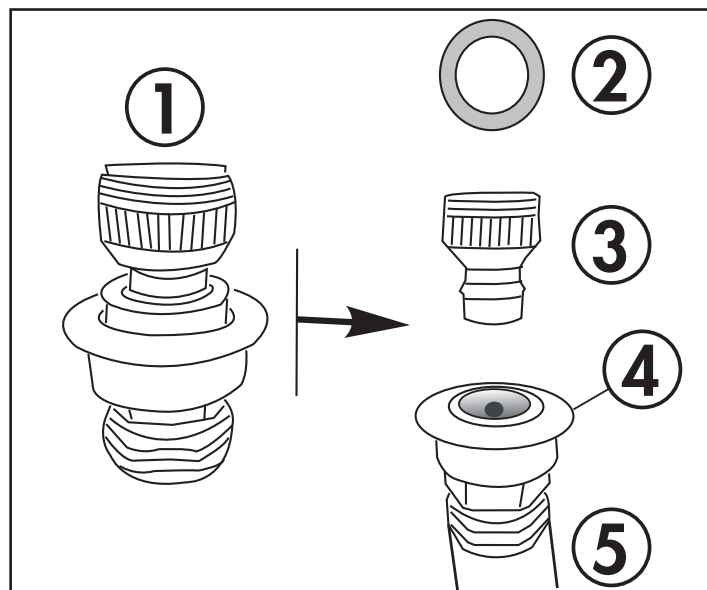
Assurez-vous que le robinet d'eau chaude est connecté à la prise d'eau chaude et que le robinet d'eau froide est connecté à la prise d'eau froide à l'arrière de l'appareil.

Utilisation de l'assemblage à connexion rapide

Le raccord rapide peut être utilisé pour connecter l'appareil à un robinet de cuisine ou de salle de bain afin d'alimenter l'appareil en eau.

Une ventilation de la connexion rapide est présentée ci-dessous.

1. Assemblage rapide
2. Une rondelle en caoutchouc
3. Adaptateur de robinet
4. Collier de verrouillage blanc
5. Tuyau d'arrivée d'eau

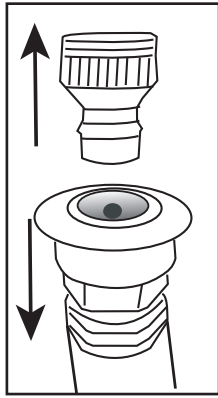


INSTRUCTIONS D'INSTALLATION

Connecter le branchement rapide à l'alimentation en eau

Retirez l'aérateur du robinet avant de brancher l'adaptateur de robinet.

Tirez sur le collier de verrouillage et tirez sur l'adaptateur de robinet pour le retirer de l'assemblage, puis installez l'adaptateur sur le robinet.



Ouvrez le robinet pour vérifier s'il y a des fuites au niveau de la connexion avant de continuer. S'il y a des fuites, il peut être nécessaire d'envelopper l'adaptateur de robinet ou le robinet avec du ruban téflon avant de connecter l'adaptateur au robinet.

Tirez le collier de verrouillage vers le bas et poussez l'ensemble de connexion rapide sur la partie inférieure de l'adaptateur de robinet. Relâchez le collier de verrouillage pour fixer le raccord rapide au robinet.

Fixez une extrémité du tuyau d'arrivée d'eau à l'assemblage à connexion rapide. Placez l'autre extrémité du tuyau dans l'évier et ouvrez l'alimentation en eau pour débarrasser le tuyau de toute poussière. Lorsque l'eau est claire, fermez l'alimentation en eau et branchez le tuyau sur le raccord d'arrivée d'eau situé en haut de l'appareil.

INSTALLATION DU TUYAU DE VIDANGE

Le tuyau de vidange arrivera pré-attaché à l'appareil. Pendant le fonctionnement de l'appareil, le tuyau de vidange doit être dirigé vers un évier ou un drain pour récupérer l'eau qui s'écoule de la sortie de l'appareil.

Lorsque vous faites passer le tuyau d'évacuation à une évacuation, assurez-vous qu'il ne soit pas plié, car cela pourrait provoquer un blocage et gêner la fonction d'évacuation.

Le tuyau de vidange peut être dirigé vers le haut en direction d'un évier ou d'un seau, mais veillez à ce que le tuyau ne s'élève pas à plus de 100 cm du sol, car cela pourrait avoir une incidence sur la fonction de vidange.

DÉTERGENT

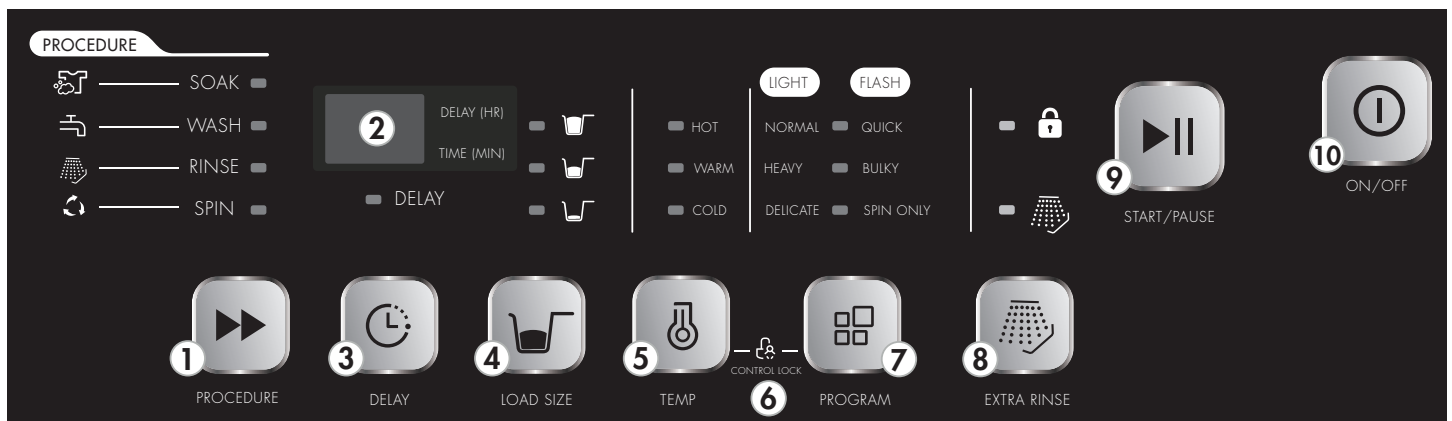
Cet appareil est conçu pour les détergents en poudre à haute efficacité. Il est recommandé d'utiliser 1/4 à 1/2 de la quantité de détergent recommandée par le fabricant du détergent. N'oubliez pas de réduire la quantité de détergent si la charge est petite ou légèrement sale ou si l'alimentation en eau est très douce.

Le détergent peut être placé directement dans la cuve de la laveuse. Ne versez pas d'eau de Javel directement sur la charge de lavage car cela pourrait endommager le tissu.

INSTRUCTIONS D'UTILISATION

PANNEAU DE CONTRÔLE

1. Bouton procédure : appuyez pour sélectionner les étapes incluses dans le cycle de lavage. Le voyant s'allumera pour indiquer les étapes actives. Normalement, toutes les étapes sont incluses et toutes les lumières seront allumées: tremper, laver, rincer et essorer.
2. Panneau d'affichage : l'écran affichera les minutes estimées restantes dans le cycle en cours. Si le départ différé est réglé, l'affichage compte à rebours le temps jusqu'au début du cycle, puis passe à l'affichage des minutes restantes du cycle une fois que le programme commence.
3. Bouton de départ différé : appuyez pour régler la durée souhaitée avant le début du programme de lavage.
4. Bouton de taille de la charge : appuyez pour définir la taille de la charge de lavage. Ce paramètre décidera du niveau d'eau. Le voyant s'allumera pour indiquer quel niveau est actif.
5. Bouton de température : appuyez pour régler la température de l'eau. Le voyant s'allumera pour indiquer le réglage de température actif. Notez que la température est pour le cycle de lavage uniquement. Tous les cycles de rinçage sont terminés avec de l'eau froide.
6. Verrouillage des commandes : maintenez enfoncés simultanément le bouton de température et le bouton de programme pendant 3 secondes pour régler le verrouillage du panneau de commande. Les boutons du panneau de commande ne peuvent pas être enfoncés lorsque le verrouillage est actif. Appuyez et maintenez enfoncés le bouton de température et le bouton de programme en même temps pendant 3 secondes pour effacer le verrouillage du panneau de commande.
7. Bouton programme : appuyez pour sélectionner le programme de lavage souhaité, normal, épais, délicat, rapide, volumineux ou essorage uniquement. Le voyant s'allumera pour indiquer quel programme est actif.
8. Bouton de rinçage supplémentaire : appuyez pour ajouter un cycle de rinçage supplémentaire au programme de lavage.
9. Bouton départ / pause: appuyez pour démarrer un programme de lavage choisi. Appuyez sur pendant le fonctionnement pour interrompre un cycle de lavage pendant qu'il est en cours. Appuyez à nouveau pour continuer le cycle.
10. Bouton d'alimentation : appuyez sur ce bouton pour allumer ou éteindre l'appareil.



INSTRUCTIONS D'UTILISATION

SÉLECTION DE PROGRAMME

Utilisez les instructions ci-dessous pour choisir le programme souhaité.

1. Appuyez sur le bouton d'alimentation pour mettre l'appareil sous tension.
2. Triez le linge avant de le placer dans la laveuse. Assurez-vous que tous les objets en vrac tels que les pièces de monnaie et les clés sont retirés des poches. Triez le linge par type de tissu, niveau de saleté, couleur et taille de la charge au besoin.
3. Chargez la laveuse en laissant tomber les articles dans la cuve. N'emballez pas les articles étroitement. Ne surchargez pas la cuve car cela peut entraîner une usure excessive et réduire l'efficacité du lavage.
4. Ajoutez du détergent selon vos besoins.
5. Utilisez le bouton de programme pour choisir le programme de lavage souhaité.
6. Utilisez le bouton de niveau d'eau pour choisir le niveau d'eau souhaité.
7. Utilisez le bouton de procédure pour choisir les étapes à inclure dans le programme de lavage. Laissez toutes les étapes incluses pour permettre au programme de lavage d'exécuter les quatre étapes du programme.
8. Utilisez le bouton de température pour choisir la température de l'eau souhaitée. Notez que la température est pour le cycle de lavage uniquement. Tous les cycles de rinçage sont terminés avec de l'eau froide.
9. Si vous le souhaitez, utilisez le bouton de départ différé pour régler la durée de retard du démarrage du programme de lavage. L'affichage passera des minutes aux heures. Chaque pression sur le bouton de retard ajoutera 1 heure à l'heure, jusqu'à un maximum de 24 heures.
10. Si vous le souhaitez, utilisez le bouton de rinçage supplémentaire pour ajouter un cycle de rinçage supplémentaire au programme de lavage.
11. Appuyez sur le bouton Départ / Pause pour démarrer le programme de lavage. Lorsque le programme commence, le temps restant estimé sera décompté sur l'affichage. Si le départ différé est réglé, l'affichage compte à rebours jusqu'au début du cycle, puis passe au compte à rebours de la durée du programme de lavage une fois que le cycle démarre.

INSTRUCTION DE FONCTION

Avant de démarrer la machine à laver, vérifiez les points suivants:

- Le tuyau de vidange est dans la bonne position.
- Il n'y a pas de fuite dans le tuyau d'arrivée lorsque le robinet est ouvert.
- Le cordon d'alimentation est correctement branché dans une prise à la terre à trois broches.
- Toutes les pièces de monnaie et les objets en vrac ont été retirés des vêtements.
- Placez les vêtements dans la machine à laver. Déposez des objets dans la baignoire. Ne pas emballer les articles étroitement. Les articles doivent pouvoir circuler librement dans l'eau de lavage pour obtenir les meilleurs résultats de nettoyage.
- Suivez les instructions pour définir le programme de lavage souhaité.
- Normal est le cycle recommandé pour laver une pleine charge de vêtements en coton ou en lin normalement sales.
- Fermez le couvercle et appuyez sur le bouton démarrage / pause pour lancer le programme souhaité.
- Un programme de lavage peut être suspendu une fois qu'il est en marche en appuyant sur le bouton démarrage / pause. Lors de la mise en pause d'un programme de lavage, attendez que la cuve s'arrête complètement de bouger avant d'ouvrir la porte.
- L'appareil ne fonctionnera pas si le couvercle est ouvert.
- Lorsqu'un programme est terminé, une alarme retentit.

NETTOYAGE

Avant de procéder à tout nettoyage ou entretien, assurez-vous que le tuyau d'arrivée d'eau a été débranché et que le cordon d'alimentation est débranché.

Nettoyez l'extérieur de l'appareil avec un chiffon chaud et humide. Évitez d'utiliser des détergents ou des produits chimiques car cela pourrait endommager ou décolorer le boîtier.

FILTRE À CHARPIE

Le filtre à peluches se trouve à l'intérieur de la cuve de lavage et doit être nettoyé environ tous les 10 cycles. Retirez le filtre à charpie de la baignoire, ouvrez-le et enlevez les peluches qui se sont accumulées. Il peut être rincé à l'eau froide mais n'utilisez ni détergents ni produits chimiques. Assurez-vous que le filtre à peluches est remplacé dans l'appareil avant de commencer un nouveau programme.

FILTRE DE POMPE

Le filtre de la pompe se trouve à l'arrière de l'appareil et doit être nettoyé une fois par mois. Retirez le filtre à l'arrière de l'appareil et rincez-le à l'eau froide. Assurez-vous que le filtre de la pompe est remplacé dans l'appareil avant de commencer un nouveau programme.

ARRIVÉE D'EAU

L'entrée d'eau peut nécessiter un nettoyage périodique pour éliminer les débris ou l'accumulation d'eau dure. Assurez-vous que le tuyau d'arrivée d'eau a été débranché de l'appareil. Retirez le filtre de la vanne d'admission et enlevez tout débris ou toute accumulation d'eau dure. La crépine peut être rincée à l'eau froide pour éliminer toute accumulation. Assurez-vous que le tamis du filtre est replacé dans la vanne d'arrivée d'eau avant de reconnecter le tuyau d'arrivée d'eau.

VINAIGRE RINÇAGE

Un rinçage de vinaigre et d'eau peut courir à travers la machine à laver pour éliminer les taches sur la baignoire intérieure ou toute odeur persistante.

Placez 1/2 tasse de vinaigre dans la machine à laver et choisissez le niveau d'eau le plus élevé. Laissez l'appareil exécuter un programme complet de lavage et rinçage et de lavage sans lessive pour éliminer les taches et les odeurs.

CODES D'ERREUR

E1 - Pas de débit d'eau

- Vérifiez que la source d'eau est allumée.
- Vérifiez la pression de l'eau.
- Vérifiez que le tamis du filtre d'entrée d'eau est propre.

E2 - L'eau ne s'écoule pas

- Vérifiez si le drain est bouché.
- Le moteur de vidange peut ne pas fonctionner correctement.

E3 - Le couvercle est ouvert

- Assurez-vous que le couvercle est complètement fermé.

E4 - Charge déséquilibrée

- Assurez-vous que la charge est équilibrée à l'intérieur de la baignoire.

DÉPANNAGE

PROBLÈME	CAUSE POSSIBLE
La laveuse ne fonctionne pas	<ul style="list-style-type: none">• Pas branché.• Le disjoncteur a déclenché ou un fusible soufflé.• Le couvercle n'est pas fermé.• La source d'eau n'est pas allumée.
Pas d'eau ni d'approvisionnement insuffisant en eau	<ul style="list-style-type: none">• La source d'eau n'est pas allumée.• Le tuyau d'entrée d'eau est plié.• L'écran du filtre à l'entrée d'eau est bouché.
La machine à laver ne draine pas	<ul style="list-style-type: none">• Le tuyau de vidange est plié.• Il y a un problème avec la pompe de vidange.
La machine à laver vibre ou est trop bruyante	<ul style="list-style-type: none">• La laveuse n'est pas au niveau.• La machine à laver touche un autre objet.• La charge de la lessive n'est pas équilibrée.
La machine à laver ne tourne pas	<ul style="list-style-type: none">• Le couvercle n'est pas fermé.• La laveuse n'est pas au niveau.
Remplissage et vidange d'eau en même temps	<ul style="list-style-type: none">• Assurez-vous que le tuyau de vidange est élevé de 0,7 m à 1,2 m du sol; Si le tuyau de vidange est trop bas, il peut provoquer l'évacuation de l'eau de l'appareil car il remplit
Cabinet qui fuit du fond	<ul style="list-style-type: none">• La baignoire est surchargée• Le niveau d'eau est trop élevé pour la quantité de lavage

GARANTIE LIMITÉE « À DOMICILE »

Cet appareil de qualité est garanti exempt de tout vice de matière première et de fabrication, s'il est utilisé dans les conditions normales recommandées par le fabricant.

Cette garantie n'est offerte qu'à l'acheteur initial de l'appareil vendu par Danby Products Limited (Canada) ou Danby Products Inc. (É.-U.) (ci-après « Danby ») ou par l'un de ses distributeurs agréés et elle ne peut être transférée.

CONDITIONS

Les pièces en plastique sont garanties pendant trente (30) jours seulement à partir de la date de l'achat, sans aucune prolongation prévue.

Premiers 12 mois Pendant les premiers **douze (12) mois**, toutes les pièces fonctionnelles de ce produit qui s'avèrent défectueuses seront réparées ou remplacées, selon le choix du garant, sans frais à l'acheteur initial.

Pour bénéficiaire du service S'adresser au détaillant qui a vendu l'appareil, ou à la station technique agréée de service la plus proche, où les réparations doivent être effectuées par un technicien qualifié. Si les réparations sont effectuées par quiconque autre que la station de service agréée ou à des fins commerciales, toutes les obligations de Danby en vertu de cette garantie seront annulées.

Limites de l'entretien à domicile Danby se réserve le droit de limiter les limites de « Service au domicile » à proximité d'un dépôt de service agréé. Pour tout appareil nécessitant le service hors des limites de "Service à domicile" il sera la responsabilité du consommateur de transporter à ses frais au point d'achat d'origine ou un dépôt de service pour la réparation. Si l'appareil est installé à plus de **100 kilomètres (62 milles)** du centre de service le plus proche, il doit être livré à l'atelier de réparation autorisé par Danby le plus proche, car l'entretien doit uniquement être réalisé par un technicien qualifié et certifié pour effectuer un entretien couvert par la garantie de Danby.

Les frais de transport entre votre domicile et le lieu de l'entretien ne sont pas couverts par la présente garantie et doivent être acquittés par l'acheteur.

Aucune partie de la garantie ne prévoit implicitement que le fabricant sera tenu responsable des dommages subis par les aliments ou d'autres types de contenu, qu'ils soient causés par la défectuosité de l'appareil ou par son usage adéquat ou inadéquat.

EXCLUSIONS

En vertu de la présente, il n'existe aucune autre garantie, condition ou représentation, qu'elle soit exprimée ou tacite, de façon manifeste ou intentionnelle, par Danby ou ses distributeurs agréés. De même, sont exclues toutes les autres garanties, conditions ou représentations, y compris les garanties, conditions ou représentations en vertu de toute loi régissant la vente de produits ou de toute autre législation ou règlement semblable. En vertu de la présente, Danby ne peut être tenue responsable en cas de blessures corporelles ou de dégâts matériels, y compris à l'appareil, quelle qu'en soit la cause. Danby ne peut pas être tenue responsable des dommages indirects dus au fonctionnement défectueux de l'appareil. En achetant l'appareil, l'acheteur accepte de tenir sans reproche et de dégager Danby de toute responsabilité en cas de réclamation pour toute blessure corporelle ou tout dégât matériel causé par cet appareil.

CONDITIONS GÉNÉRALES

La garantie ou assurance ci-dessus ne s'applique pas si les dégâts ou réparations sont dus aux cas suivants :

- 1) Panne de courant.
- 2) Dommages subis pendant le transport ou le déplacement de l'appareil.
- 3) Alimentation électrique incorrecte (tension faible, câblage défectueux, fusibles incorrects).
- 4) Accident, modification, emploi abusif ou incorrect de l'appareil tel qu'une circulation d'air inadéquate dans la pièce ou des conditions de fonctionnement anormales (température extrêmement élevée ou basse).
- 5) Utilisation dans un but commercial ou industriel (à savoir, si l'appareil n'est pas installé dans un domicile résidentiel).
- 6) Incendie, dommages causés par l'eau, le vol, la guerre, une émeute, des hostilités, ou en cas de force majeure (ouragan, inondation, etc.).
- 7) Visites d'un technicien pour expliquer le fonctionnement de l'appareil au propriétaire.
- 8) Installation inappropriée (par exemple, encastrement d'un appareil autoportant, ou utilisation extérieure d'un appareil non conçu à cet effet, y compris, mais sans s'y limiter : les garages, les patios, les porches ou ailleurs, qui ne sont pas correctement isolés ou climatisés).

La preuve de la date d'achat sera requise pour les réclamations de garantie; conserver la facture de vente. Dans le cas où un service de garantie est requis, présentez la preuve d'achat à notre dépôt de service agréé.

Service sous garantie

Service au domicile

Danby Products Limited
PO Box 1778, Guelph, Ontario, Canada N1H 6Z9
Téléphone : (519) 837-0920 Télécopieur : (519) 837-0449

1-800-263-2629

02/18

Danby Products Inc.
PO Box 669, Findlay, Ohio, U.S.A. 45840
Téléphone : (419) 425-8627 Télécopieur : (419) 425-8629

Bienvenido a la familia Danby.

Estamos orgullosos de nuestros productos de calidad y creemos en un servicio confiable. Le sugerimos que lea este manual del propietario antes de enchufar su nuevo electrodoméstico, ya que contiene información importante de funcionamiento, información de seguridad, solución de problemas y consejos de mantenimiento para garantizar la confiabilidad y longevidad de su electrodoméstico.

Tiene derecho a la cobertura de la garantía como se describe en el manual del propietario que se proporciona con su nuevo electrodoméstico.

1. Escriba la información de su aparato a continuación. **Debe conservar el comprobante de compra original para validar y recibir los servicios de garantía.**
2. Registre su producto en línea y reciba una **EXTENSIÓN DE GARANTÍA GRATUITA DE 2 MESES** después de completar una encuesta sobre el producto, en www.danby.com/support/product-registration/

Número de modelo: _____

Número de serie: _____

Fecha de compra: _____

Necesitas ayuda?

1. Lea el manual del propietario para obtener ayuda con la instalación, resolución de problemas y asistencia de mantenimiento.
2. Visite www.Danby.com para acceder a herramientas de autoservicio, preguntas frecuentes y mucho más buscando su número de modelo en la barra de búsqueda.
3. Para obtener el **servicio al cliente más rápido**, complete el formulario web en www.danby.com/support. Su envío irá directamente a un experto en su dispositivo en particular. Nuestros tiempos de respuesta promedio son entre 20 minutos y 2 horas, durante el horario comercial EST.
4. Llame al **1-800-263-2629**; tenga en cuenta que durante las horas pico, los tiempos de espera pueden exceder una hora.



Importantes Instrucciones de Seguridad

LEA Y SIGA TODAS LAS INSTRUCCIONES DE SEGURIDAD

INSTRUCCIONES DE SEGURIDAD

ADVERTENCIA: Para reducir el riesgo de incendio, choque eléctrico o lesiones a personas al usar este aparato, siga las precauciones básicas de seguridad, incluyendo las siguientes:

- No lave artículos que hayan sido previamente limpiados, lavados, empapados o manchados con gasolina, disolventes de limpieza en seco u otras sustancias inflamables o explosivas, ya que emiten vapores que podrían encenderse o explotar.
- No agregue gasolina, solventes de limpieza en seco u otras sustancias inflamables o explosivas al agua de lavado, ya que emiten vapores que podrían encenderse o explotar.
- Bajo ciertas condiciones, se puede producir gas hidrógeno en un sistema de agua caliente que no se ha utilizado durante 2 semanas o más. **EL GAS DE HIDRÓGENO ES EXPLOSIVO.** Si el sistema de agua caliente no se ha utilizado durante este período, encienda todos los grifos de agua caliente y deje que el agua fluya durante varios minutos antes de usar la lavadora. Esto liberará cualquier gas de hidrógeno acumulado. No fume ni use una llama abierta durante este proceso.
- No introduzca la mano en el aparato si la tina o el agitador están en movimiento.
- No instale ni guarde este aparato en lugares expuestos a la intemperie.
- No manipule los controles.
- No repare ni reemplace ninguna parte del aparato ni intente realizar ningún mantenimiento a menos que se recomiende específicamente en las instrucciones de mantenimiento del usuario o en las instrucciones de reparación publicadas del usuario que entienda y tenga las habilidades para llevar a cabo.
- No haga funcionar el aparato cuando la presión del agua sea inferior a 14 PSI o superior a 70 MPa para evitar daños en el sistema de entrada.

Este aparato no está diseñado para ser usado por personas (incluyendo niños) cuyas capacidades físicas, sensoriales o mentales pueden ser diferentes o reducir, o que carecen de experiencia o conocimiento, a menos que dichas personas reciban supervisión o entrenamiento para operar el aparato por una persona responsable de su la seguridad.

INSTRUCCIONES DE CONEXIÓN A TIERRA

Este aparato debe estar conectado a tierra. La puesta a tierra reduce el riesgo de descarga eléctrica proporcionando un cable de escape para la corriente eléctrica.

Este aparato tiene un cable que tiene un cable de conexión a tierra con un enchufe de 3 clavijas. El cable de alimentación debe estar enchufado en un tomacorriente que esté debidamente conectado a tierra. Si el tomacorriente es un tomacorriente de dos clavijas, debe ser reemplazado por un tomacorriente de pared de 3 clavijas correctamente conectado a tierra. La placa de características en serie indica el voltaje y la frecuencia para la que está diseñado el artefacto.

ADVERTENCIA - El uso incorrecto del enchufe de conexión a tierra puede ocasionar un riesgo de descarga eléctrica. Consulte a un electricista o agente de servicio calificado si las instrucciones de conexión a tierra no se entienden completamente o si existe duda sobre si el aparato está debidamente conectado a tierra.

No conecte el aparato a los cables de extensión ni con otro aparato en la misma toma de corriente. No empalme el cable de alimentación. No corte ni quite en ningún caso la tercera clavija de tierra del cable de alimentación. No utilice cables de extensión ni adaptadores sin conexión a tierra (dos clavijas).

Si el cable de alimentación está dañado, debe ser reemplazado por el fabricante, su agente de servicio o persona calificada similar para evitar riesgos.

Cualquier pregunta relacionada con el poder o conexión a tierra debe dirigirse a un electricista certificado.

PELIGRO: Riesgo de atrapamiento de niños. Los niños deben ser supervisados alrededor de este aparato. Asegúrese de retirar la tapa antes de desechar este aparato.

¡GUARDA ESTAS INSTRUCCIONES!

INSTRUCCIONES DE INSTALACIÓN

UBICACIÓN

- Se deben usar dos personas al mover el aparato.
- Retire el embalaje interior y exterior antes de la instalación. Retire la caja de embalaje y coloque la lavadora hacia arriba y lejos del cojín de base de espuma. Retire los accesorios y la espuma protectora del interior del armario.
- Limpie el exterior del aparato con un paño suave y seco y el interior con un paño tibio y húmedo. No rocíe el aparato con agua.
- Coloque el aparato en un piso nivelado que sea lo suficientemente resistente como para sostenerlo cuando esté completamente cargado, en una habitación que tenga un acceso conveniente al suministro de agua y al desagüe, tenga poca humedad y no se congele en invierno.
- No coloque el aparato sobre pisos alfombrados ya que esto puede bloquear las aberturas de ventilación inferiores.
- Mantenga el aparato alejado de fuentes de calor y de la luz solar directa. El calor excesivo o la luz solar pueden deformar o decolorar el aparato.
- Este aparato está destinado únicamente para uso doméstico. No está diseñado para instalación en el exterior, incluso en lugares que no estén controlados por la temperatura, como garajes, porches, vehículos, etc., porque las líneas de agua pueden congelarse.
- Este aparato está diseñado solo para instalación independiente y no está diseñado para ser incorporado en un gabinete o mostrador. Construir en este aparato puede causar un mal funcionamiento.

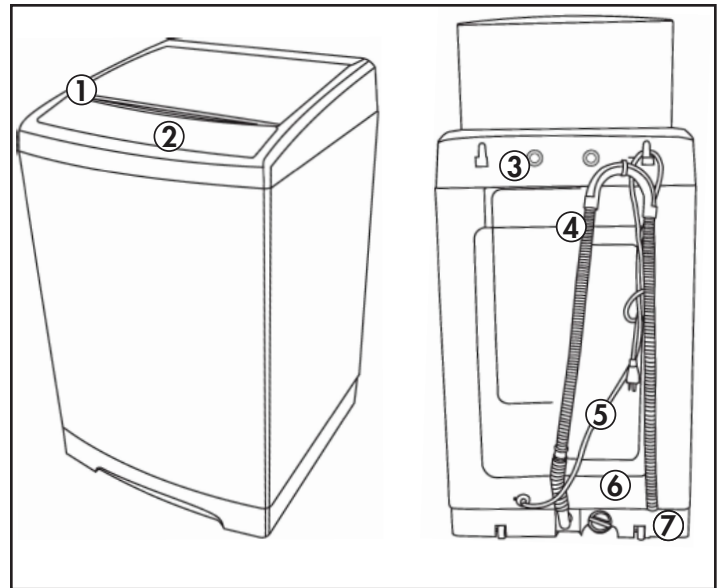
DIMENSIONES

Las dimensiones de este aparato son 60,1 cm (23,7 pulgadas) de ancho, 63 cm (24,8 pulgadas) de profundidad, 100 cm (39,4 pulgadas) de alto con la tapa cerrada y 143 cm (56,3 pulgadas) de alto con la tapa abierta.

Este electrodoméstico requiere al menos 2,5 cm (1 pulgada) de espacio en ambos lados, 15,2 cm (6 pulgadas) de espacio en la parte posterior, 5 cm (2 pulgadas) de espacio en la parte delantera y al menos 61 cm (24 pulgadas) de espacio arriba para dejar espacio para que se abra la tapa.

CARACTERÍSTICAS

1. Tapa
2. Panel de control
3. Entrada de agua
4. Manguera de drenaje
5. Cable de alimentación
6. Filtro de bomba de agua
7. Rodillos



INSTRUCCIONES DE NIVELACIÓN

Es importante que el aparato esté nivelado para evitar cargas desequilibradas y ruido excesivo.

El pie de nivelación se encuentra en la parte frontal derecha del aparato. Hay un pie sólido en el lado frontal izquierdo del aparato y hay dos rodillos en la parte posterior.

1. Gire el pie nivelador hacia la izquierda hasta que la parte superior del pie toque la parte inferior del gabinete.
2. Gire lentamente el pie nivelador hacia la derecha hasta que el aparato esté nivelado.

INSTRUCCIONES DE INSTALACIÓN

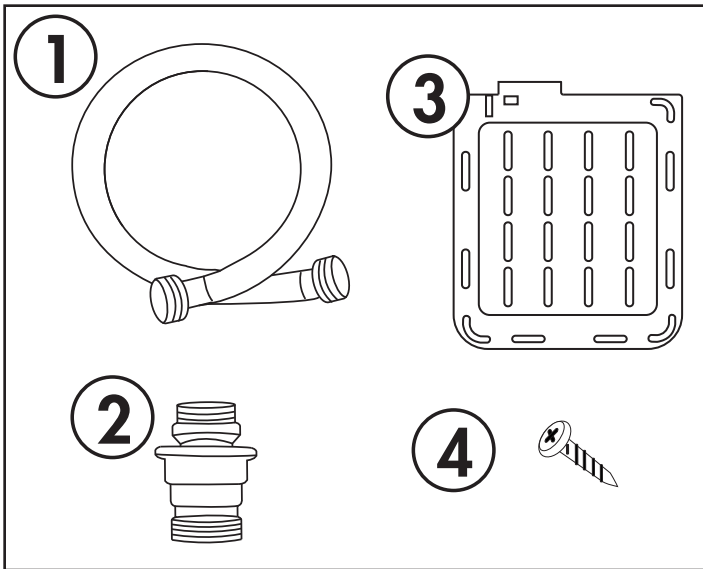
ACCESORIOS Y PREPARACIÓN

Necesitará las siguientes herramientas para instalar la lavadora:

- Llave inglesa
- Alicates
- Destornillador

Asegúrese de que todos los accesorios provistos estén presentes y se tengan en cuenta:

1. Dos mangueras de suministro de agua
2. Un adaptador de conexión rápida
3. Una placa a prueba de ruido
4. Dos tornillos



INSTALACIÓN DE LA PLACA A PRUEBA DE RUIDO

La placa a prueba de ruido ayudará a amortiguar el ruido excesivo del aparato durante la agitación. Siga los pasos a continuación para instalar la placa a prueba de ruido.

1. Retire la placa de protección contra el ruido del embalaje. Se enviará en la parte superior del aparato en la parte superior de la caja.
2. Deslice la placa a prueba de ruido en el canal en la base del aparato y asegúrela con los tornillos provistos.

SUMINISTRO DE AGUA

El grifo de suministro de agua debe ajustarse a acoplamientos de manguera de jardín hembra estándar de 3/4 pulgada (19.05 mm). No utilice conexiones deslizantes o con abrazaderas ya que la presión del agua puede causar fugas.

Apriete todas las conexiones con la mano hasta que queden ajustadas y luego apriételas un cuarto de vuelta con una llave para asegurarse de que estén seguras.

Revise todas las conexiones para detectar fugas antes de usar el aparato. Si se detectan fugas, puede ser necesario agregar una arandela de goma o una cinta de teflón a la conexión.

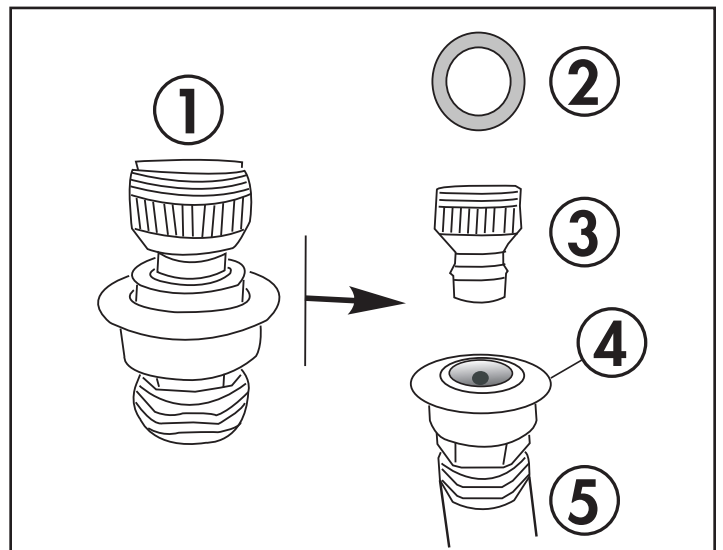
Asegúrese de que el grifo de agua caliente esté conectado a la entrada de agua caliente y que el grifo de agua fría esté conectado a la entrada de agua fría en la parte posterior del aparato.

Usando el conjunto de conexión rápida

El ensamble de conexión rápida se puede usar para conectar el electrodoméstico a una llave de la cocina o el baño para proporcionar agua al electrodoméstico.

A continuación se muestra un desglose del conjunto de conexión rápida.

1. Montaje de conexión rápida
2. Lavadora de caucho
3. Adaptador de grifo
4. Collar de bloqueo blanco
5. Manguera de entrada de agua

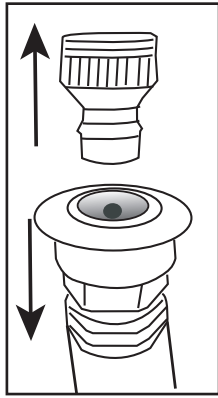


INSTRUCCIONES DE INSTALACIÓN

Conexión de la conexión rápida al suministro de agua.

Retire el aireador del grifo antes de colocar el adaptador del grifo.

Tire hacia abajo del collarín de bloqueo y tire hacia arriba del adaptador del grifo para extraer el adaptador del conjunto y luego instale el adaptador en el grifo.



Abra la llave para verificar que no haya fugas en la conexión antes de continuar. Si hay fugas, puede ser necesario envolver el adaptador del grifo o el grifo con cinta de teflón antes de conectar el adaptador al grifo.

Tire hacia abajo del collar de bloqueo y empuje el conjunto de conexión rápida en la parte inferior del adaptador del grifo. Suelte el collarín de bloqueo para conectar la conexión rápida al grifo.

Conecte un extremo de la manguera de entrada de agua al conjunto de conexión rápida. Coloque el otro extremo de la manguera en el fregadero y abra el suministro de agua para eliminar el polvo de la manguera. Cuando el agua salga clara, cierre el suministro de agua y conecte la manguera a la conexión de entrada de agua en la parte superior del aparato.

INSTALACION DE MANGUERAS DE DRENAJE

La manguera de desagüe llegará pre-conectada al aparato. Durante el funcionamiento del aparato, la manguera de desagüe debe dirigirse hacia un fregadero o desagüe para recoger el agua desechada cuando sale del aparato.

Cuando corra la manguera de desagüe a un desagüe, asegúrese de que no haya dobleces en la manguera ya que esto puede causar un bloqueo e impedir la función de desagüe.

La manguera de drenaje puede dirigirse hacia arriba hacia un fregadero o cubeta, pero asegúrese de que la manguera no se levante a más de 100 cm (39 pulgadas) del suelo ya que esto puede afectar la función de drenaje.

DETERGENTE

Este aparato está diseñado para detergentes en polvo de alta eficiencia. Se recomienda utilizar de 1/4 a 1/2 de la cantidad de detergente recomendada por el fabricante del detergente. Recuerde reducir la cantidad de detergente si la carga es pequeña o está ligeramente sucia o si el suministro de agua es muy suave.

El detergente se puede colocar directamente en la tina de la lavadora. No vierta blanqueador líquido directamente sobre la carga de lavado ya que esto puede dañar la tela.

INSTRUCCIONES DE OPERACIÓN

PANEL DE CONTROL

1. Botón de procedimiento: Presione para seleccionar los pasos incluidos en el ciclo de lavado. La luz se iluminará para mostrar qué pasos están activos. Normalmente se incluyen todos los pasos y todas las luces estarán encendidas: remojar, lavar, enjuagar y centrifugar.
2. Panel de visualización: La pantalla mostrará los minutos estimados que quedan en el ciclo actual. Si se establece el inicio diferido, la pantalla contará el tiempo hasta que comience el ciclo y luego cambiará para mostrar los minutos restantes en el ciclo una vez que comience el programa.
3. Botón de inicio diferido: presione para establecer el tiempo deseado antes de que comience el programa de lavado.
4. Botón de tamaño de carga: presione para establecer el tamaño de la carga de lavado. Esta configuración decidirá el nivel del agua. La luz se iluminará para mostrar qué nivel está activo.
5. Botón de temperatura: presione para configurar la temperatura del agua. La luz se iluminará para mostrar qué ajuste de temperatura está activo. Tenga en cuenta que la temperatura es solo para el ciclo de lavado. Todos los ciclos de enjuague se completan con agua fría.
6. Bloqueo de control: Mantenga presionado el botón de temperatura y el botón de programa al mismo tiempo durante 3 segundos para configurar el bloqueo del panel de control. Los botones del panel de control no se pueden presionar mientras el bloqueo está activo. Mantenga presionado el botón de temperatura y el botón de programa al mismo tiempo durante 3 segundos para borrar el bloqueo del panel de control.
7. Botón de programa: presione para seleccionar el programa de lavado deseado, normal, pesado, delicado, rápido, voluminoso o solo centrifugado. La luz se iluminará para mostrar qué programa está activo.
8. Botón de enjuague adicional: presione para agregar un ciclo de enjuague adicional al programa de lavado.
9. Botón Inicio / Pausa: presione para iniciar un programa de lavado elegido. Presione durante el funcionamiento para pausar un ciclo de lavado mientras está funcionando. Presione nuevamente para continuar el ciclo.
10. Botón de encendido: presione este botón para encender o apagar el aparato.



INSTRUCCIONES DE OPERACIÓN

SELECCION DE PROGRAMA

Utilice las instrucciones a continuación para elegir el programa deseado.

1. Presione el botón de encendido para encender el aparato.
2. Clasifique la ropa antes de colocarla en la lavadora. Asegúrese de sacar todos los objetos sueltos, como monedas y llaves, de los bolsillos. Clasifique la ropa por tipo de tela, nivel de suciedad, color y tamaño de carga según sea necesario.
3. Cargue la lavadora dejando caer los artículos sin apretar en la tina. No empaque los artículos de manera apretada. No sobrecargue la tina, ya que esto puede causar un desgaste excesivo y reducir la eficiencia del lavado.
4. Agregue detergente como desee.
5. Utilice el botón de programa para elegir el programa de lavado deseado.
6. Utilice el botón de nivel de agua para elegir el nivel de agua deseado.
7. Utilice el botón de procedimiento para elegir qué pasos deben incluirse en el programa de lavado. Deje todos los pasos incluidos para permitir que el programa de lavado realice los cuatro pasos del programa.
8. Use el botón de temperatura para elegir la temperatura del agua deseada. Tenga en cuenta que la temperatura es solo para el ciclo de lavado. Todos los ciclos de enjuague se completan con agua fría.
9. Si lo desea, use el botón de inicio diferido para establecer la cantidad de tiempo para retrasar el inicio del programa de lavado. La pantalla cambiará de minutos a horas. Cada vez que presione el botón de retardo, se agregará 1 hora al tiempo, hasta un máximo de 24 horas.
10. Si lo desea, use el botón de enjuague adicional para agregar un ciclo de enjuague adicional al programa de lavado.
11. Presione el botón de inicio / pausa para comenzar el programa de lavado. Cuando comience el programa, el tiempo restante estimado se hará una cuenta regresiva en la pantalla. Si se configura el inicio diferido, la pantalla hará una cuenta regresiva hasta el comienzo del ciclo y luego cambiará para contar el tiempo del programa de lavado una vez que comience el ciclo.

INSTRUCCION DE FUNCION

Antes de encender la lavadora, verifique lo siguiente:

- La manguera de drenaje está en la posición correcta.
- No hay fugas en la manguera de entrada cuando el grifo está abierto.
- El cable de alimentación está enchufado correctamente en un tomacorriente con conexión a tierra de tres clavijas.
- Todas las monedas y objetos sueltos han sido retirados de la ropa.
- Coloque la ropa en la lavadora. Coloque los artículos sueltos en la tina. No empaque los artículos apretadamente. Los artículos deben poder moverse libremente a través del agua de lavado para obtener mejores resultados de limpieza.
- Siga las instrucciones para configurar el programa de lavado deseado.
- Normal es el ciclo recomendado para lavar una carga completa de ropa de algodón o lino con suciedad normal.
- Cierre la tapa y presione el botón de inicio / pausa para comenzar el programa deseado.
- Un programa de lavado se puede pausar una vez que esté en funcionamiento presionando el botón de inicio / pausa. Al pausar un programa de lavado, espere hasta que la tina haya dejado de moverse por completo antes de abrir la puerta.
- El aparato no funcionará si la tapa está abierta.
- Cuando un programa termina, suena una alarma.

CUIDADO Y MANTENIMIENTO

LIMPIEZA

Antes de realizar cualquier limpieza o mantenimiento, asegúrese de que la manguera de entrada de agua se haya desconectado y que el cable de alimentación esté desenchufado.

Limpie el exterior del aparato con un paño tibio y húmedo. Evite el uso de detergentes o productos químicos, ya que esto puede dañar o decolorar el gabinete.

Filtro de tinta

El filtro de pelusas está en el interior de la tina de lavado y debe limpiarse aproximadamente cada 10 ciclos. Retire el filtro de pelusas de la bañera, ábralo y retire cualquier pelusa que se haya acumulado. Se puede enjuagar con agua fría, pero no use detergentes ni productos químicos. Asegúrese de reemplazar el filtro de pelusa en el aparato antes de comenzar un nuevo programa.

FILTRO DE BOMBA

El filtro de la bomba está en la parte posterior del aparato y debe limpiarse una vez al mes. Retire el filtro de la parte posterior del aparato y enjuáguelo con agua fría. Asegúrese de reemplazar el filtro de la bomba en el aparato antes de comenzar un nuevo programa.

ENTRADA DE AGUA

La entrada de agua puede requerir una limpieza periódica para eliminar los residuos o la acumulación de agua dura. Asegúrese de que la manguera de entrada de agua se haya desconectado del aparato. Retire la rejilla del filtro de la válvula de entrada y elimine cualquier residuo o acumulación de agua dura. La rejilla del filtro se puede enjuagar con agua fría para eliminar cualquier acumulación. Asegúrese de volver a colocar la rejilla del filtro en la válvula de entrada de agua antes de volver a colocar la manguera de entrada de agua.

ENJUAGUE DE VINAGRE

Un enjuague de vinagre y agua se puede ejecutar a través de la lavadora para eliminar las manchas en la tina interior o cualquier olor persistente.

Coloque 1/2 taza de vinagre en la lavadora y elija el nivel de agua más alto. Permita que el aparato ejecute un programa completo de lavado y enjuague y centrifugado sin lavado para eliminar manchas y olores.

CÓDIGOS DE ERROR

E1 - Sin flujo de agua

- Compruebe que la fuente de agua esté encendida.
- Compruebe la presión del agua.
- Compruebe que la pantalla del filtro de entrada de agua esté limpia.
- Compruebe que la manguera de desagüe está instalada correctamente.

E2 - El agua no se drena

- Compruebe si el drenaje está obstruido.
- Es posible que el motor de drenaje no esté funcionando correctamente.

E3 - La tapa está abierta

- Asegúrese de que la tapa esté completamente cerrada.

E4 - Carga desequilibrada

- Asegúrese de que la carga esté equilibrada dentro de la bañera.

SOLUCIÓN DE PROBLEMAS

PROBLEMA	CAUSA POSIBLE
La lavadora no funciona	<ul style="list-style-type: none"> • No enchufado. • El disyuntor ha disparado o un fusible quemado. • La tapa no está cerrada. • La fuente de agua no está encendida.
No hay agua o suministro insuficiente de agua	<ul style="list-style-type: none"> • La fuente de agua no está encendida. • La manguera de entrada de agua está doblada. • La pantalla del filtro en la entrada de agua está obstruida.
La lavadora no drena	<ul style="list-style-type: none"> • La manguera de desagüe está doblada. • Hay un problema con la bomba de desagüe.
La lavadora vibra o es demasiado ruidosa	<ul style="list-style-type: none"> • La lavadora no está nivelada. • La lavadora está tocando otro objeto. • La carga de la ropa no es equilibrada.
La lavadora no gira	<ul style="list-style-type: none"> • La tapa no está cerrada. • La lavadora no está nivelada.
Relleno y drenaje de agua al mismo tiempo	<ul style="list-style-type: none"> • Asegúrese de que la manguera de desagüe esté elevada de 0,7 m a 1,2 m del suelo; Si la manguera de desagüe es demasiado baja, puede causar que el agua salga del aparato a medida que se llena
Gabinete fugas desde abajo	<ul style="list-style-type: none"> • La bañera está sobrecargada • El nivel de agua es demasiado alto para la cantidad de lavado

GARANTÍA LIMITADA "A DOMICILIO"

Este producto de calidad está garantizado contra defectos de fabricación, incluyendo partes y mano de obra, siempre y cuando la unidad se utilice bajo las condiciones normales de funcionamiento para las que fue diseñado. Esta garantía está solamente disponible para la persona que haya comprado originalmente esta unidad directamente de Danby Products Limited (Canada) o Danby Products Inc. (U.S.A.) (en adelante "Danby") o uno de sus distribuidores autorizados, y no es transferible.

CONDICIONES DE LA GARANTÍA

Las piezas plásticas, se autorizan por treinta (30) días solamente a partir de la fecha de la compra, sin las extensiones proporcionadas.

Primeros 12 meses Durante los primeros **doce (12) meses**, cualquier parte en buen estado de este producto que resulte defectuosa, incluyendo cualquier sistema sellado, será reparado o reemplazado, a opción del fabricante, sin cargo para el comprador ORIGINAL.

Para obtener servicio Comuníquese con el distribuidor donde haya comprado la unidad, o llame al Taller de Servicio Autorizado más cercano, donde debe ser reparada por un técnico calificado. Si esta unidad es reparada en otro lugar que no sea un Taller de Servicio Autorizado, o si la unidad se utiliza para aplicaciones comerciales, Danby no se hará responsable de ninguna forma y la garantía será anulada.

Límites del servicio técnico a domicilio Danby se reserva el derecho de limitar la cobertura de "Servicio en Domicilio" sujeto a la proximidad de un **Taller de Servicio Autorizado**. Para todo artefacto que requiera servicio fuera del área limitada de "Servicio en Domicilio", el cliente será responsable por transportar dicho artefacto hasta el Taller de Servicio Autorizado más cercano. Si el electrodoméstico está instalado en un lugar que se encuentra a **100 kilómetros (62 millas)** o más del centro de servicios más cercano, se debe llevar la unidad al Centro de servicios Danby autorizado más cercano, ya que dicho servicio sólo puede realizarlo un técnico calificado y certificado por Danby para prestar servicios de garantía.

Los cargos por transporte desde y hacia el lugar en que se efectúe el servicio técnico no están cubiertos por esta garantía y son de responsabilidad del comprador.

Nada dentro de esta garantía implica que Danby será responsable por cualquier daño que hayan sufrido los alimentos u otros contenidos de este aparato, ya sea debido a un defecto del aparato, o su uso, adecuado o inadecuado.

EXCLUSIONES

Salvo lo aquí indicado por Danby, no existen otras garantías, condiciones o representaciones, explícitas o implícitas, concretas o intencionales por parte de Danby o sus distribuidores autorizados y todas las demás garantías, condiciones o representaciones, incluyendo cualquier garantía, condiciones o representaciones bajo cualquier Acta de Venta de Productos o legislación o estatuto similar, quedan de esta forma expresamente excluidas. **Salvo lo aquí indicado, Danby no serán responsables por ningún daño a personas o bienes, incluyendo la propia unidad, sin importar su causa, o de ningún daño indirecto causado por el desperfecto de la unidad, y al comprar esta unidad, el comprador acepta por la presente, indemnizar y proteger a Danby contra cualquier reclamo por daños a personas o bienes causados por la unidad.**

CONDICIONES GENERALES

No se considerará ninguna de estas garantías o seguros cuando el daño o la necesidad de reparación sea el producto de los siguientes casos:

- 1) Falla del suministro eléctrico.
- 2) Daños en tránsito o durante el transporte de la unidad.
- 3) Alimentación incorrecta, como bajo voltaje, instalación eléctrica defectuosa o fusibles inadecuados.
- 4) Accidente, modificación, abuso o uso incorrecto del artefacto, tal como insuficiente ventilación del ambiente o condiciones de operación anormales (temperatura ambiente extremadamente alta o baja).
- 5) Utilización comercial o industrial (v.g., si el electrodoméstico no está instalado en una vivienda particular).
- 6) Incendio, daños por agua, robo, guerra, disturbios, hostilidades, actos de fuerza mayor como huracanes, inundaciones, etc.
- 7) Pedidos de servicio debido a desinformación del usuario.
- 8) Instalación inadecuada (v.g., instalación empotrada de un electrodoméstico diseñado como unidad independiente o uso de un electrodoméstico al aire libre que no esté aprobado para dicho fin, incluyendo pero no limitado a: garajes, patios, porches o en cualquier lugar que no esté bien aislado o controlado por el clima).

Se requerirá una prueba de la fecha de compra para reclamaciones de garantía; Retener las facturas de venta. En el caso de que se requiera servicio de garantía, presente el comprobante de compra a nuestro depósito de servicio autorizado.

Servicio de Garantía
Servicio en Domicilio

Danby Products Limited
PO Box 1778, Guelph, Ontario, Canada N1H 6Z9
Telephone: (519) 837-0920 FAX: (519) 837-0449

1-800-263-2629
04/17

Danby Products Inc.
PO Box 669, Findlay, Ohio, U.S.A. 45840
Telephone: (419) 425-8627 FAX: (419) 425-8629



Danby Products Limited, Guelph, ON, Canada N1H 6Z9
Danby Products Inc., Findlay, Ohio, USA 45840

