

Two-Handle Hi-Arc Kitchen Faucet

Grifo de Cocina Bimando con Arco Alto

Robinet de Cuisine Surélevé à Deux Poignées

B07F2C9CFR, B07F285PQ6, B07FHBYCMC

English	3
Español	7
Français	11

Contents:

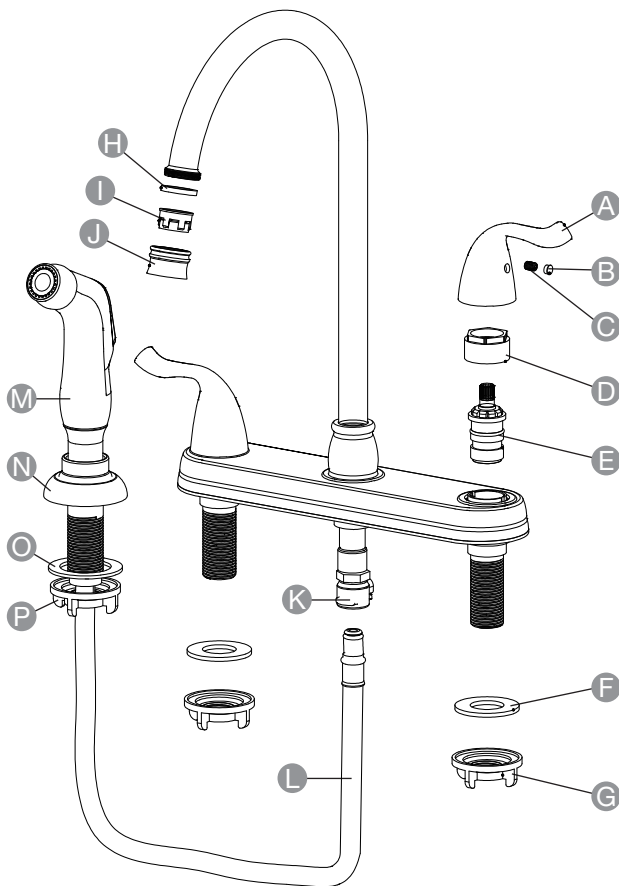
Before getting started, ensure the package contains the following components:

Faucet	x1	Sprayer with hose	x1
Deck plate gasket (faucet)	x1	Sprayer base	x1
Rubber washer (faucet)	x2	Rubber washer (sprayer base)	x1
Locking nut (faucet)	x2	Locking nut (sprayer base)	x1

Recommended Tools:

• Safety goggles	x1	• Adjustable wrenches	x1
------------------	----	-----------------------	----

Part List



Parts	Description	Qty
A	Handle	x2
B	Red & blue indicator	x2
C	Screw (H2.5 x M5 x 6 mm)	x2
D	Cap	x2
E	Cartridge (1/2)	x2
F	Rubber washer (Ø45 x Ø21 x 2.5 mm)	x2
G	Locking nut	x2
H	Aerator gasket	x1
I	Aerator	x1
J	Aerator housing	x1
K	Quick connector	x1
L	Sprayer hose	x1
M	Sprayer head	x1
N	Sprayer base	x1
O	Rubber washer (Ø45 x Ø21 x 2.5 mm)	x1
P	Locking nut	x1

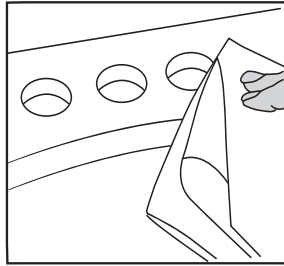
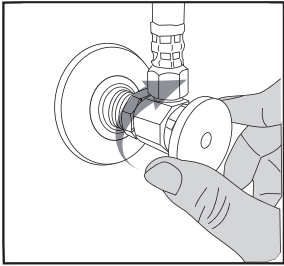
Before First Use

Check for transport damage.

⚠ DANGER Risk of suffocation! Keep any packaging materials away from children – these materials are a potential source of danger, e.g. suffocation.

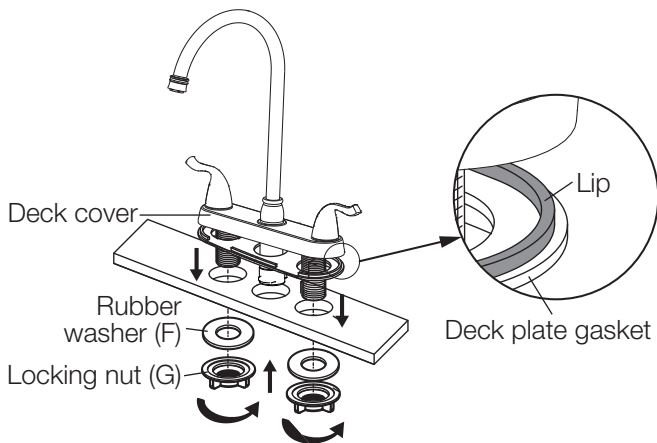
Installation

Step 1: Shut Off Water Supply



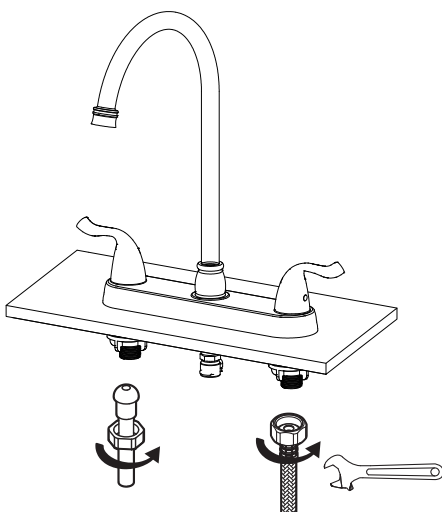
- Locate water supply inlets and shut off the water supply valves. These are usually found under the sink or near the water meter. If you are replacing an existing faucet, remove the old faucet from the sink and remove any dirt and/or plumber's putty from around the faucet holes.

Step 2: Setup



- Remove locking nuts (G) and rubber washers (G) from the two water inlet tubes on the faucet.
 - Lay the deck plate gasket over the holes in the sink.
 - Place the deck cover over the base plate gasket.
- ⚠ NOTICE** Make sure the lip going around the base plate gasket is pointing upward and that the deck cover is sitting correctly on the deck plate gasket.
- Slide one rubber washer (G) over each water inlet pipe.
 - Screw one locking nut (G) onto each water inlet pipe and tighten by hand.

Step 3: Connect Supply Lines

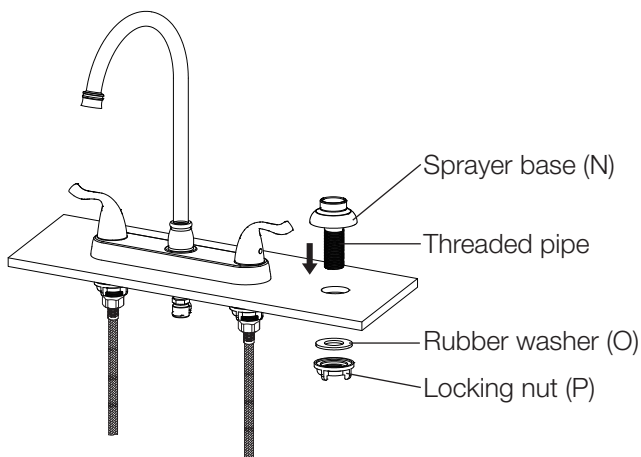


- Reconnect the hot water line to the left water inlet pipe.
- Reconnect the cold water line to the right water inlet pipe.
- Use wrench to tighten.

⚠ NOTICE If you are replacing the old water supply lines, make sure you clean the threads of both water inlet valves and apply plumber's tape. Use a wrench to tighten down fittings and follow above steps to connect water lines to the faucet.

Installation

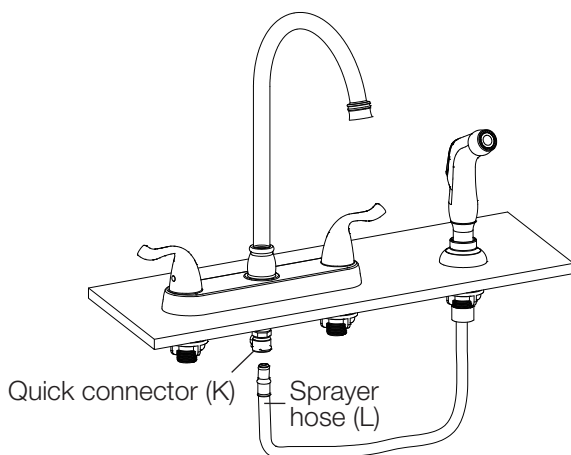
Step 4: Install Sprayer Base



- Remove locking nut (P) and rubber washer (O) from threaded pipe.
- Insert sprayer base (N) into hole.
- Slide the rubber washer (O) onto the threaded pipe.
- Screw the locking nut (P) onto the threaded pipe and hand-tighten.

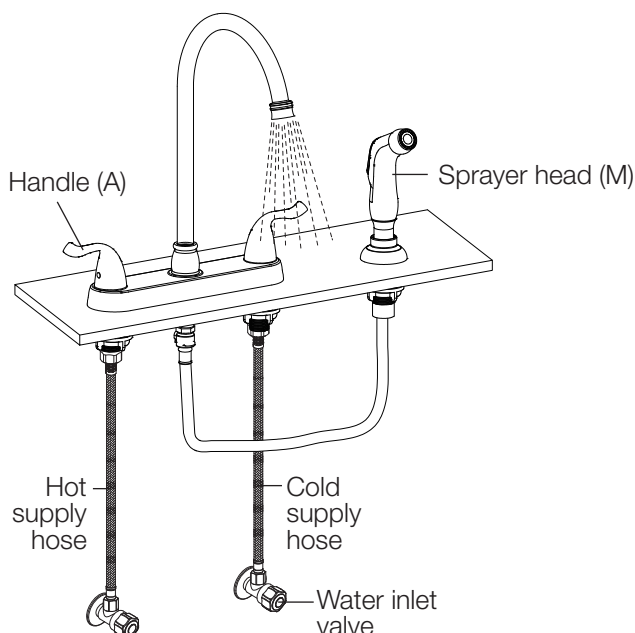
NOTICE Make sure the sprayer base (N) is centered over the sink hole and then finish tightening locking nut (P) by hand.

Step 5: Connect Sprayer Hose



- Slide the sprayer hose (L) through the sprayer base (N).
- Connect sprayer hose (L) into quick connector (K).

Step 6: Check and Run Water



- Check to make sure the faucet is tight.
- Slowly open one water inlet valve and check for leaks; if no leaks, open the valve all the way.
- Slowly open the other water inlet valve and check for leaks; if no leaks, open the valve all the way.

NOTICE If a leak is spotted, close the valve and remove the water line, along with the Teflon tape on the threads. Then re-tape the threads and connect the water line and repeat the procedure.

- Pull the handle (A) in the direction away from you and make sure there is hot water coming out of the faucet.
- Pull the handle (A) towards you and make sure there is cold water coming out of the faucet.
- Remove the sprayer head (M) from the sprayer base (N) and pull the hose out. Make sure there is nothing obstructing the hose from being pulled out or retracted.
- With the water running, make certain the sprayer sprays when the lever is pushed in.

Cleaning and Maintenance

- Avoid using abrasive chemicals when cleaning, read the cleaner product label prior to use.

IMPORTANT SAFEGUARDS



Read these instructions carefully and retain them for future use. If this product is passed to a third party, then these instructions must be included.

When using the product, basic safety precautions should always be followed to reduce the risk of injury including the following:

- To reduce the risk of injury or property damage, read all instructions before installing product.
- Wear safety goggles.
- Product must be installed in accordance with all state & local plumbing & building codes.
- Call a professional if you are uncertain about installing this product.

IMPORTANT, RETAIN FOR FUTURE REFERENCE: READ CAREFULLY.

Warranty Information

To obtain a copy of the warranty for this product:



Visit amazon.com/AmazonBasics/Warranty

— or —



Contact Customer Service at 1-866-216-1072

Feedback

Love it? Hate it?

Let us know with a customer review.

AmazonBasics is committed to delivering customer-driven products that live up to your high standards. We encourage you to write a review sharing your experiences with the product.

Please visit: amazon.com/review/review-your-purchases#



For further services:



Visit amazon.com/gp/help/customer/contact-us

— or —



Contact Customer Service at 1-866-216-1072

amazonbasics

amazon.com/AmazonBasics