

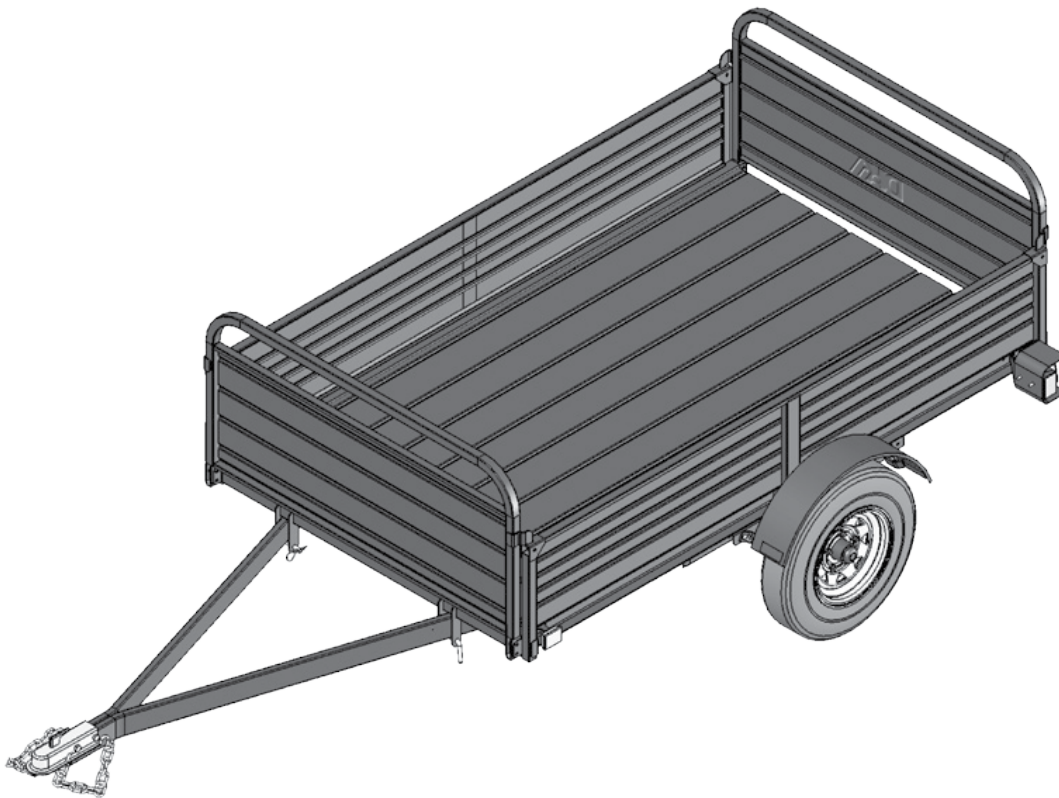


# MMT5X7 SERIES

## 5' X 7' UTILITY TRAILERS

MMT5X7 • MMT5X7-DUG • MMT5X7G • MMT5X7G-DUG

## USER MANUAL



**NOTE:** If you find any damaged or missing parts please call Marlon® Customer Service or contact us via our website. We will replace any damaged or missing parts to you for free. Please do not return to the store.

**CUSTOMER SERVICE 1 (888) 277-6960 | WWW.DK2.COM**

## WARRANTY

### WHAT IS COVERED

Marlon Recreational Products Ltd. warrants to the original purchaser of a DK2 by Marlon product that the product will be free and clear of manufacturing defects in workmanship and materials under normal use and service for a period of one (1) year from the date of the original purchase. If within one (1) year from the original date of purchase this product fails due to defect in material or workmanship, Marlon will repair, replace, or supply any defective part at our option. Upon expiry of one (1) year, Marlon will have no further liability related to the Product. Marlon does not authorize any party, including its authorized distributors or dealers, to offer any other warranty on behalf of Marlon Recreational Products Ltd.

### THIS WARRANTY DOES NOT COVER OR APPLY TO:

- a) Damage to the product due to misuse, mishandling and abuse.
- b) Improper installation, maintenance and storage.
- c) Expendable parts such as blades, teeth, hardware (nuts, bolts, springs, etc.), winch straps, cable or rope (winches), belts, chains, tires, bearings or hub assemblies, dust caps, springs, markers, snow deflectors, and scraper blades (snow plows).
- d) Normal wear and tear.
- e) Consequential damage and incidental damages such as damage to persons or property.

### REGISTERING YOUR DK2 BY MARLON PRODUCT

Please take a minute to register your DK2 by Marlon product online at [www.detailk2.com/warranty](http://www.detailk2.com/warranty) or by calling customer service at **1 (888) 277-6960**.

### PROCEDURE FOR OBTAINING A RETURN AUTHORIZATION

Within the one (1) year warranty period, the purchaser of the DK2 by Marlon product must notify an authorized distributor or dealer of the claimed defect and provide proof of original purchase. At this time the validity of the claim will be determined and a Return Goods Authorization Number (RGA) will be issued if approved. No returned product will be accepted under warranty unless accompanied by an RGA# issued by Marlon.

### RESOLUTION FOR A DEFECTIVE DK2 BY MARLON PRODUCT

Marlon Recreational Products Ltd. will at its option repair or replace the defective product or parts covered by this warranty. The repaired DK2 by Marlon product or parts will be shipped to the purchaser upon completion. All transportation charges shall be the responsibility of the purchaser. Any damage in transit will be the responsibility of the carrier or at the risk of the purchaser.

## TRAILER LICENSING

The DK2 by Marlon Trailer Kit **MUST BE CERTIFIED** after assembly by a local garage which is approved and holds a license to provide safety certificates for roadway vehicles.

In order to register your trailer with the

Department of Motor Vehicles or Ministry of Transportation and obtain a license plate you will need to have either the NVIS form in Canada or the Manufacturers Certificate of Origin in the US filled out and signed by the dealer transferring ownership to you. This form is found in your trailer manual package. Take this form along with the bill of sale (cash register receipt) and safety certificate to your local Department of Motor Vehicles or Ministry of Transportation licensing office. Once you pay the appropriate fees you will be issued a title or registration and license plate to be attached to the trailer.

**U.S.A. RESIDENTS TO CONTACT  
NATIONAL HIGHWAY TRAFFIC SAFETY  
ADMINISTRATION**

If you believe that your vehicle has a defect, which could cause an accident, personal injury or death, immediately inform the National Highway Traffic Safety Administration (NHTSA) in addition to notifying Marlon Recreational Products Ltd.

If NHTSA receives similar complaints, or finds safety defects existing in a group of vehicles it may open an investigation or order a recall and remedy campaign. However, NHTSA cannot become involved in individual problems between you, your dealer, or Marlon Recreational Products Ltd.

**To contact NHTSA, you may either call the Auto Safety Hotline toll-free at 1 (800) 424-9393 (or 366-0123 in Washington, DC area) or write to: NHTSA, U.S. Department of Transportation, Washington, DC 20590.**

**TABLE OF CONTENTS**

WARRANTY..... 2  
 TRAILER LICENSING..... 2  
 TECHNICAL SPECIFICATIONS ..... 4

**SAFETY..... 5**  
 SAFETY CONVENTIONS..... 5  
 IMPORTANT SAFETY CHECKLIST ..... 5  
 LIGHTING & WIRING MAINTENANCE ..... 6  
     TO TEST THE VEHICLE WIRING: ..... 7  
     TO TEST THE TRAILER WIRING: ..... 7  
 LOADING YOUR TRAILER..... 7  
 TRAILER COUPLER..... 8  
     TO ADJUST COUPLER TO BALL:..... 8  
 WHEEL BEARING & HUB ASSEMBLY ..... 8  
     RE-PACKING WHEEL BEARINGS ..... 8

**ASSEMBLY ..... 9**  
 STEP 1: UNPACK YOUR TRAILER ..... 9  
 STEP 2: L-BRACKETS & LEAF SPRINGS ..... 10  
 STEP 3: COUPLER & SAFETY CHAIN ..... 11  
 STEP 4: AXLE ..... 12  
 STEP 5: TIRES ..... 13  
 STEP 6: PRE-WIRING ..... 14  
 STEP 7: FLIP OVER & FENDERS ..... 15  
 STEP 8: SIDE PANELS ..... 16  
 STEP 9: LIGHTS ..... 17  
 STEP 10: GATES ..... 19  
 STEP 11: WHEEL TORQUING & INSPECTION ..... 20

**PARTS & SCHEMATICS ..... 21**  
 PARTS LIST ..... 21  
 SCHEMATICS ..... 21

**AXLE ASSEMBLY PARTS & SCHEMATICS ..... 22**  
 PARTS LIST: AXLE ASSEMBLY ..... 22  
 SCHEMATICS: AXLE ASSEMBLY ..... 22






## TECHNICAL SPECIFICATIONS

<b>PAYLOAD CAPACITY</b>	1,639 lb (743.4 kg)
<b>GVWR</b>	2,073 lb (940.3 kg)
<b>WHEELS &amp; TIRES</b>	D.O.T. 5.30-12 6-ply bias tires with 5 x 4.5" (11.4 cm) bolt pattern
<b>MATERIAL</b>	Fully welded heavy-duty UV powder coated tubular steel
<b>SIDE PANELS</b>	Corrugated reinforced steel
<b>DROP GATES</b>	24" (61 cm) load-bearing corrugated reinforced steel
<b>FLOORING</b>	Corrugated reinforced steel panel
<b>DUMP BED</b>	2-position, axle-mounted with quick-release lock pin
<b>LIGHTING</b>	Pre-wired, quick-connect D.O.T LED
<b>BED DIMENSIONS</b>	88" (L) x 52" (W) 223.5 cm (L) x 132.1 cm (W)
<b>FLOOR HEIGHT</b>	20" (50.8 cm)
<b>HITCH HEIGHT</b>	16" (40.6 cm)
<b>DIMENSIONS</b>	177" (L) x 65" (W) x 36" (H) 449.6 cm (L) x 165.1 cm (W) x 91.4 cm (H)
<b>WEIGHT</b>	434.3 lb (197 kg)
<b>SHIPPING DIMENSIONS</b>	88" (L) x 55" (W) x 9" (H) 223.5 cm (L) x 139.7 cm (W) x 22.9 cm (H)
<b>SHIPPING WEIGHT</b>	458.6 lb (208 kg)
<b>WARRANTY</b>	1-year limited

## SAFETY

### SAFETY CONVENTIONS


-  **DANGER!** This indicates a hazardous situation, which, if not avoided, could result in death or serious injury.
-  **WARNING!** This indicates a hazardous situation, which, if not avoided, could result in minor or moderate injury.
-  **CAUTION!** This information is important in proper use of your machine. Failure to follow this instruction could result in damage to your machine or property.

#### ADDITIONAL INFORMATION AND POTENTIAL CHANGES

We reserve the right to discontinue, change, and improve our products at any time without notice or obligation to the purchaser. The descriptions and specifications contained in this manual were in effect at printing. Equipment described within this manual may be optional. Some illustrations may not be applicable to your machine.












### IMPORTANT SAFETY CHECKLIST

Trailers are generally not used everyday. Your trailer may sit for extended periods of time between uses making it very important to check all components thoroughly before each use. Following these simple instructions will maximize the life of your trailer and help you safely transport cargo.

-  **CAUTION! DO NOT ABUSE THE TRAILER:** Trailer performance is best if you follow the guidelines set forth in this manual. Do not force the trailer to do a job it is not designed for. Know your trailer; learn its


#### applications and limitations.

1. Make sure the towing vehicle as well as the hitch are capable of towing the trailer. Check your vehicle owner's manual for trailering things.
2. Inspect the trailer and all of its parts before each use.
3. Check the operation of all lights. Operating lights are mandatory on a trailer.
4. Check to ensure wheel bolts are tight. Torque to 80 ft.-lbs. Re-tighten after the first 50 miles (80km).
5. Check the tire pressure. Maximum 80 PSI (550 KPA) when carrying the maximum rated load.
6. Re-pack the wheel bearings every 2,000 miles (3,200km) or a minimum of once every year.
7. Check that the trailer coupler is fastened securely onto the trailer ball. The trailer ball must be a 2-inch ball.
8. Make sure the safety chain is attached to the trailer and the towing vehicle.
9. If your trailer has an optional side kit, make sure all bolts and pins are in place before transporting your trailer.
10. Do not exceed the Gross Vehicle Weight Rating (G.V.W.R.) which is shown on the trailer serial/certification label.
11. Balance and secure the load on the trailer. See "Trailer Loading" section in this manual.
12. Lubrication of the coupler, springs, and the tilt mechanism should be done periodically to stop corrosion and keep parts moving freely.

-  **DANGER! KEEP CHILDREN AWAY:** Be sure children are kept a safe distance from the trailer operating area.
-  **DANGER! NEVER SIT OR RIDE ON THE TRAILER:** Serious injury or death could occur.
-  **DANGER! EXERCISE EXTREME CAUTION WHEN TILTING THE TRAILER:** There are many areas of the trailer where injury can occur if used improperly. The trailer may tilt quickly and unexpectedly during the loading and unloading process. The tilt option should not be used for heavy loads.
-  **DANGER!** Ramps should be used for loading heavy items.
-  **DANGER!** Do not drive with the trailer in the tilted position.
-  **DANGER!** Do not load more than one all-terrain vehicle onto this trailer.
-  **DANGER!** If the trailer is incorrectly attached to the vehicle, it could pull away from the vehicle and fall off.
-  **DANGER!** Secure the trailer to the towing vehicle before transportation. Make sure coupler is locked and the safety chains are attached to the trailer and the vehicle.
-  **DANGER!** Secure your cargo into the trailer properly and in compliance to local laws.
-  **DANGER!** When driving do not exceed the speed limit. Braking time can be considerably longer when a vehicle is towing a loaded trailer.
-  **DANGER!** Any modifications made to the trailer or parts of the trailer will void the trailer warranty and release Marlon® Recreational Products Ltd.

of any responsibility for damages, injuries or accidents incurred.

## LIGHTING & WIRING MAINTENANCE

-  **DANGER! USE ONLY ORIGINAL EQUIPMENT PARTS AND ACCESSORIES:** Consult Marlon® at **1 (888) 277-6960** for the recommended accessories. The use of improper accessories may cause hazards or injuries.

WIRING LEGEND				
SYMBOL	COLOR	DESCRIPTION	OPERATION	
G	Green Wire	Passenger Side (Right)	Right Signal	Brake
B	Brown Wire	Running Lights	Tail Light Marker	Yellow Front Side Markers
Y	Yellow Wire	Driver Side (Left)	Left Signal	Brake
W	White Wire	Ground	Trailer Ground	

**NOTE:**


Brake light goes out on the side that is signaling.  
 Lower Filament (Brighter light) = Brake & Signal.  
 Higher Filament (Dimmer Light) = Running Lights


**TO TEST THE VEHICLE WIRING:**

You will need a 12v light tester. Attach the wire clamp of the tester to the ground wire on the vehicle plug. Then touch the tester pin into one of the vehicle plug contacts. Turn on the corresponding vehicle operation i.e. Running Lights. This will illuminate the tester light if the vehicle wiring is correct. Follow this same procedure for the signal and brake lights.

**TO TEST THE TRAILER WIRING:**

Once you have confirmed that the vehicle trailer plug is operating properly, connect the trailer plug into your vehicle. To proceed to test each of the lights and power leads using your 12v light tester. Follow the wiring legend and diagram to test each corresponding wire for power when the trailer light is not operating.

 **CAUTION!** Always be sure to check your brake, running and signal lights before each use. Make sure that all of your connections are solid and that all wiring is in good condition.

 **CAUTION!** Bare, stripped, or pinched wire will cause a short in the trailer, which will cause the vehicle fuse to blow. A solid ground is required for your lights to work properly. All contacts must be to bare metal. Light

covers should be well maintained and kept clean. Be sure that your lights are always visible, not obstructed by your load.

**LOADING YOUR TRAILER**

- Distribute the weight evenly.
- Center the load over the axle, keeping about 10% of the weight on the tongue. (If vehicle wheels are not on a crossbeam you will need to add wood to the floor to support each axle.
- Center the load from side to side.
- Always secure your cargo into the trailer properly and in compliance to local laws.



**WARNING!** Do not build your trailer load higher than 3 feet. Higher loading will affect trailer handling due to increased wind resistance. This may cause violent movements, accidents and serious injury.

**WARNING! TRAILER CAPACITY**

- Never overload your trailer. Each trailer has a maximum payload that should not be exceeded. Overloading your trailer could cause serious damage to your trailer as well as the towing vehicle. Please refer to your trailer serial/certification label located on the same frame of the trailer for capacity details.

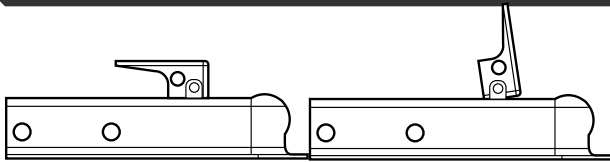
- The Gross Vehicle Weight Rating (G.V.W.R.) is the weight of the trailer + the maximum payload the trailer can carry. The trailer weight and the payload must not exceed this weight rating.
- Be sure that any load carried in your trailer does not extend beyond the frame of your trailer. Never place loads on one side only.



### WARNING! TONGUE WEIGHT

- The tongue weight is 10% of the load (this does not include the weight of the trailer).
- The load is divided so that 90% of the load is over the axle and 10% is over the tongue.

## TRAILER COUPLER



LOCKED

UNLOCKED

### TO ADJUST COUPLER TO BALL:

Set the coupler and tongue onto the 2-inch trailer ball on your vehicle. Raise the locking lever, push up on the channel lock and turn nut to tighten or loosen the coupler. Proper adjustment is obtained when the coupler is as tight as possible on the ball and the locking lever can still be opened and closed.



**CAUTION! Before towing your trailer be sure to check the capacity of your trailer hitch on your vehicle (never exceed this or your trailer's capacity).** The DK2® by Marlon® Trailer is equipped with a 2-inch coupler and must be used with 2-inch trailer ball. Make sure that the trailer

ball is completely engaged in the coupler ball.

## WHEEL BEARING & HUB ASSEMBLY

**NOTE:** No parts are more critical for the dependable performance of your trailer than the bearings, races, and seals. To ensure that your trailer performs reliably, you should inspect the bearings, races, and seals and re-pack the bearings every 12 months or 3,200km (2,000 miles). This is easily found on the internet by searching "Trailer Wheel Bearings Maintenance".

### RE-PACKING WHEEL BEARINGS

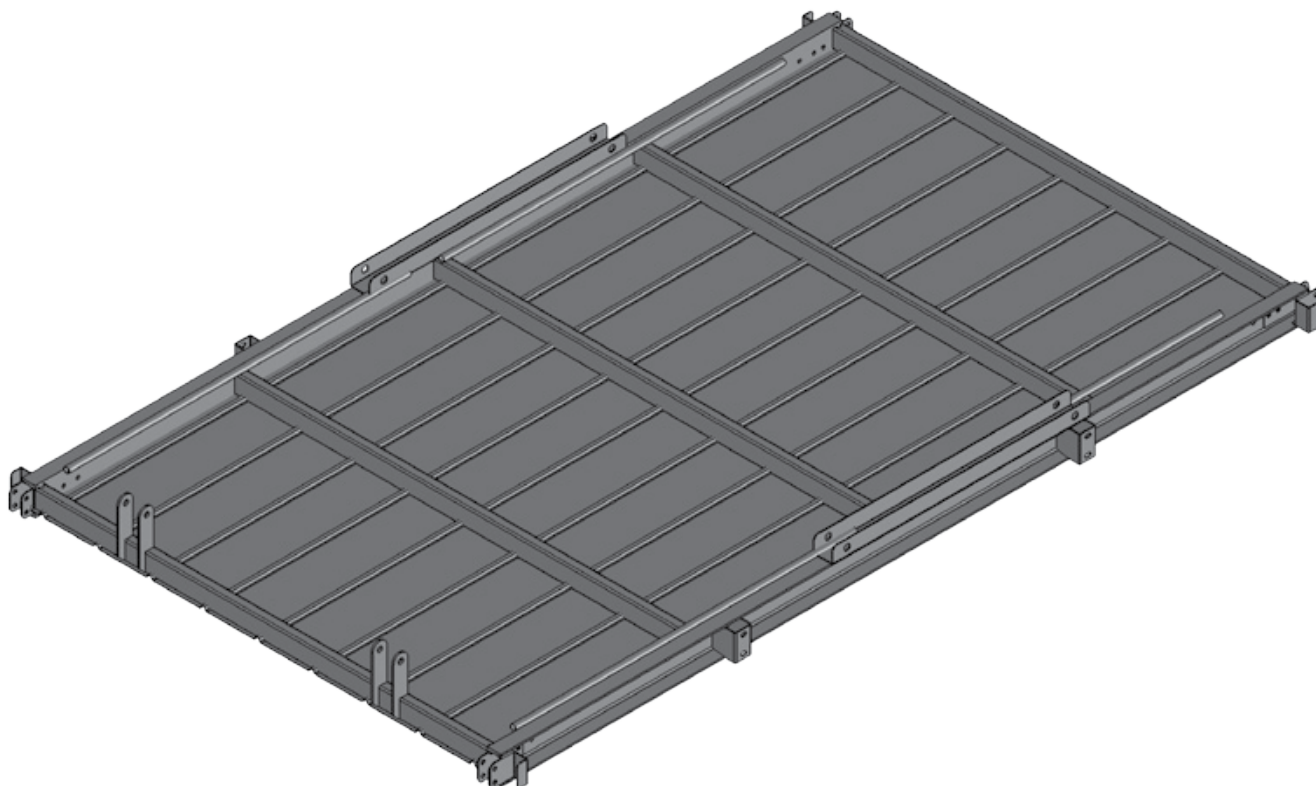
1. Loosen wheel bolts (do not remove)
  2. Support trailer so wheel is off the ground (jack stack - floor jack - block)
  3. Remove nuts and wheel
  4. Disassemble hub
  5. Clean hub and pack bearings with wheel bearing grease
  6. Re-install bearings, nut and cotter pin
- WARNING!** DO NOT over-tighten nut. The hub must turn freely and without play.
7. Re-attach bolts and wheel (torque to 80 ft-lbs.)

## ASSEMBLY

### STEP 1: UNPACK YOUR TRAILER

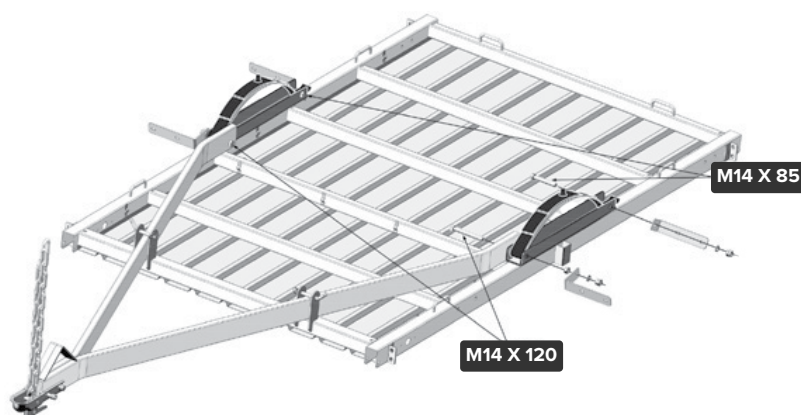
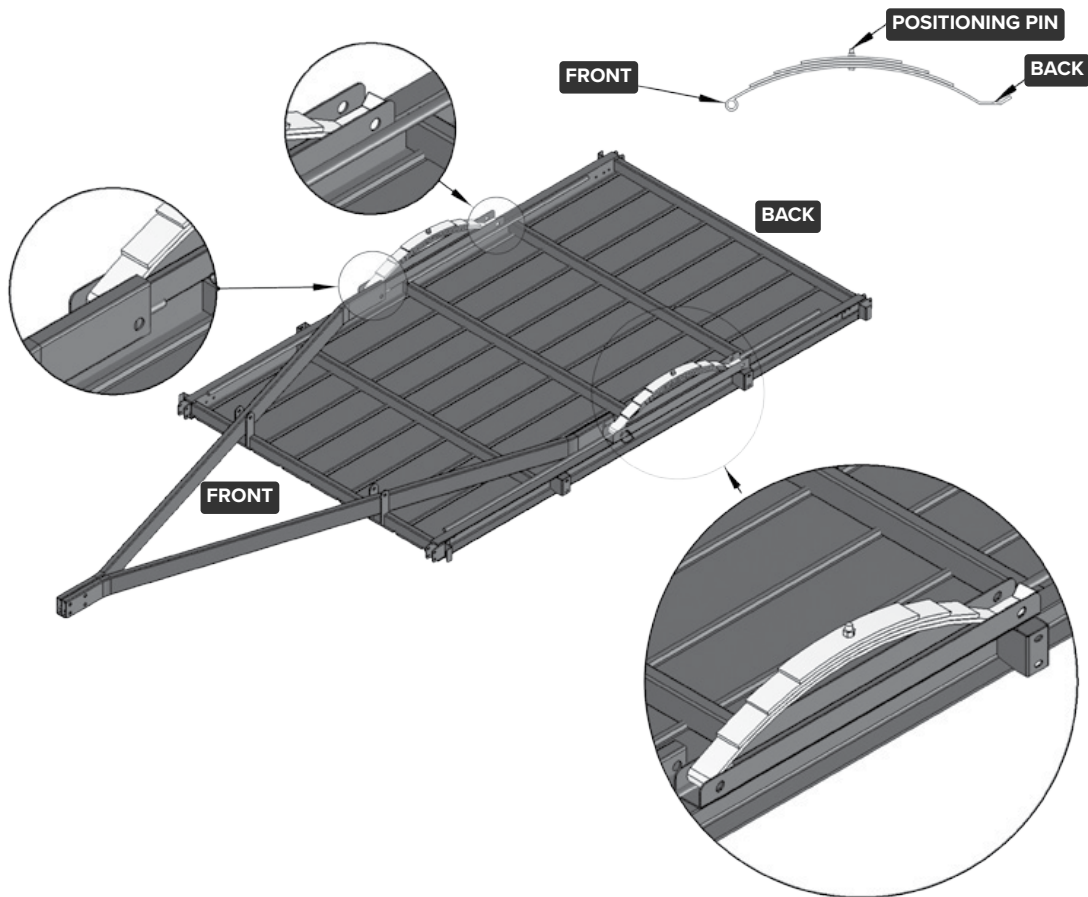
Open and unpack all items. Leave lots of working space as you will need to flip the trailer over later in the assembly.

The trailer frame is shipped upside down as shown. Leave the frame on the cardboard and use it as your work surface.



## STEP 2: L-BRACKETS & LEAF SPRINGS

Place springs and tongue tubes as shown - the hub end of the spring faces towards the front of the trailer. Insert the two M14 x 120 mm bolts from inside out through the tongue tube, then the channels, spring hubs, and fender L-brackets on the front. Use the M14 x 85 mm bolts at the back, again inserted from the inside outward, through the channels, over the back tabs on the springs, and the rear fender L-brackets. Install the 4 washers and 6 M14 lock nuts finger tight in the locations shown.

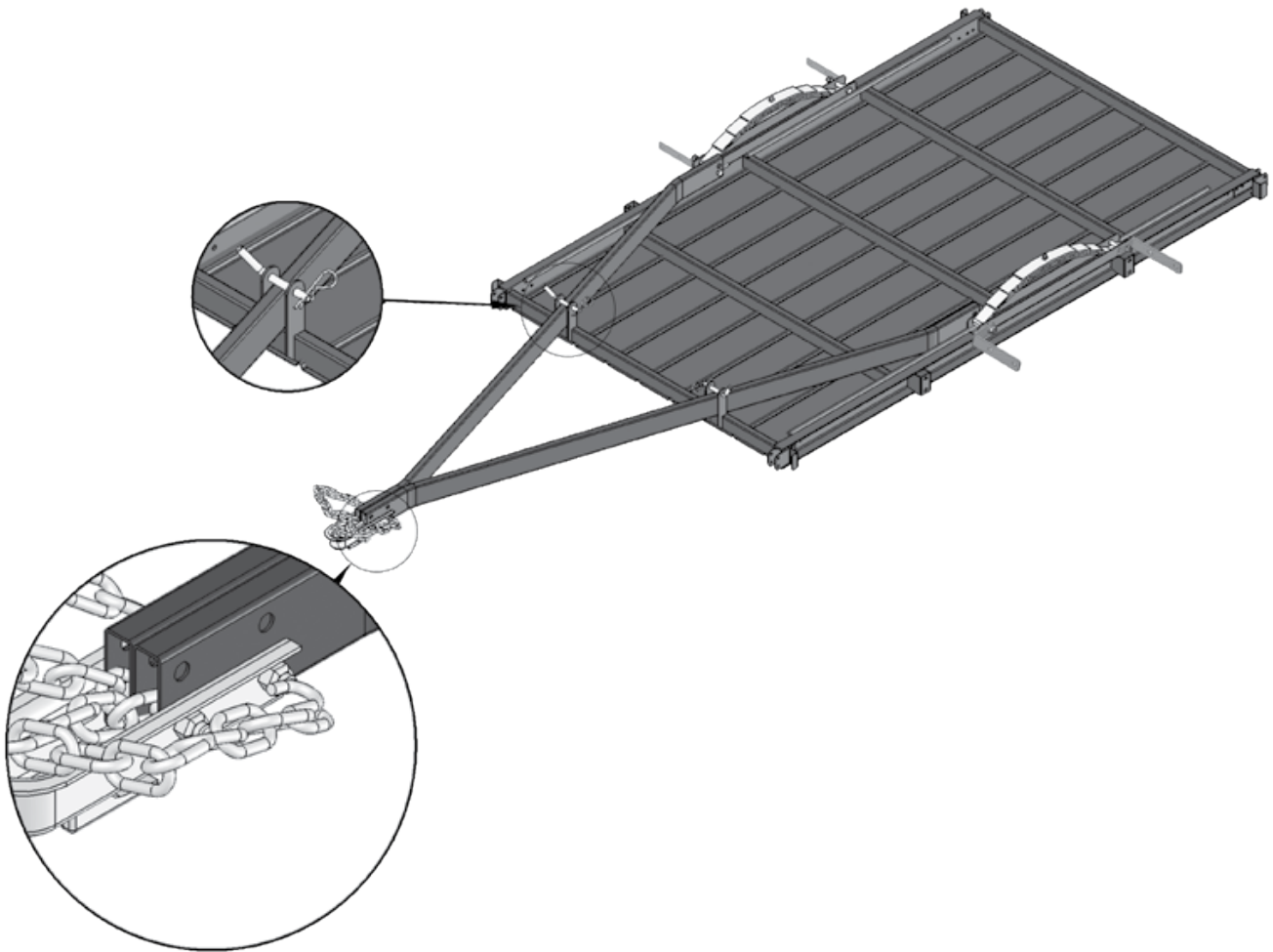


### STEP 3: COUPLER & SAFETY CHAIN

Insert the two 1/2" hitch pins as shown.

Install the coupler and safety chain using the M12 x 75 mm bolts and M12 lock nuts provided.

Find the middle link on the chain, and feed it through the side of the tongue where the wiring harness is not present. Feed your bolt through.

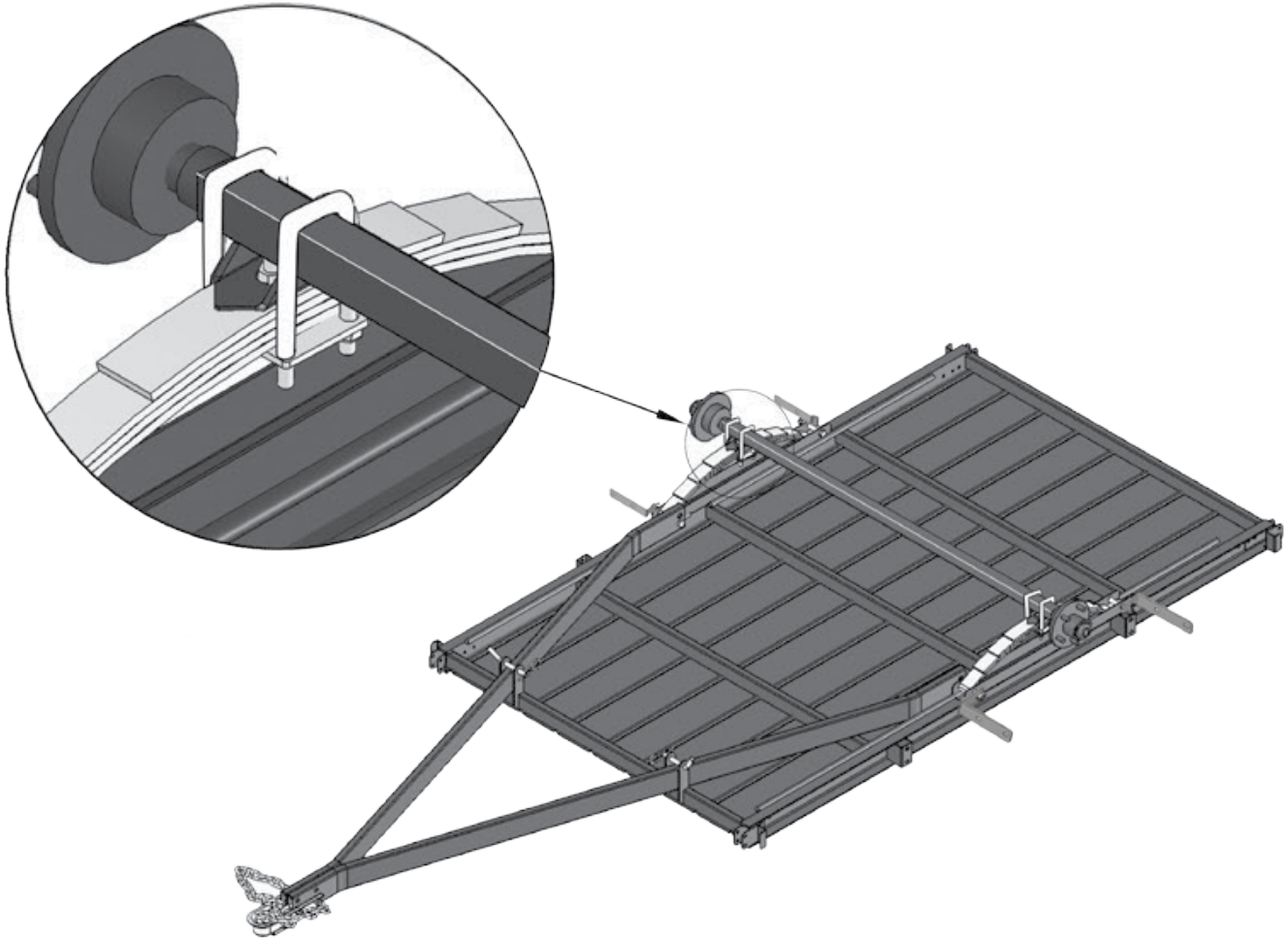


## STEP 4: AXLE

Lay the axle across the springs. Mount the axle to the springs with the M10 U-bolts, left spring Plate, M10 washers, and M10 nylock nuts.

**NOTE:** Insert the raised point on the spring into the concave on the axle.

Make sure that the axle is in the right position.



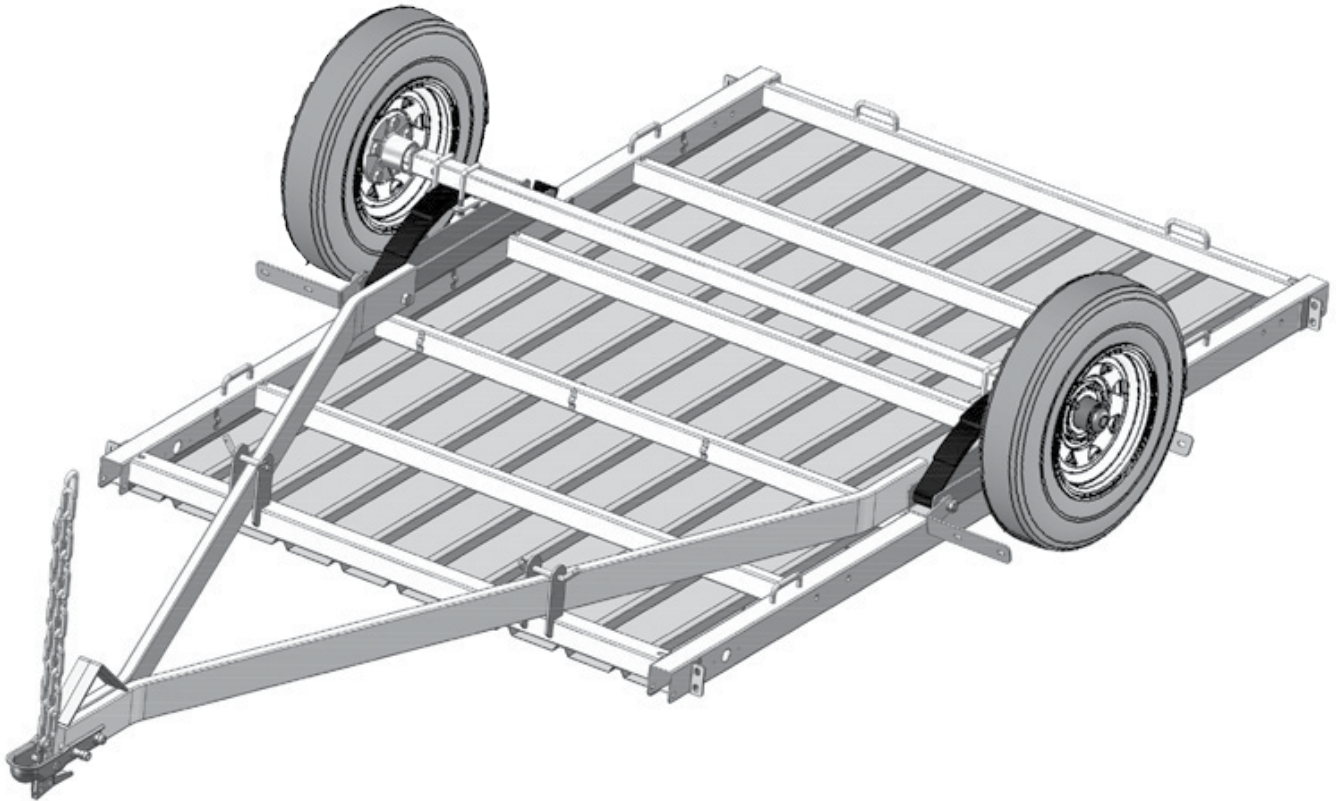
## STEP 5: TIRES

Install the tires. Ensure all ten wheel nuts provided are tightened properly.



**CAUTION!** The wheel nuts will need to be torqued after the trailer is flipped over and the wheel can be better held.

**NOTE:** Tapered ends of wheel nuts face inward toward the wheel.

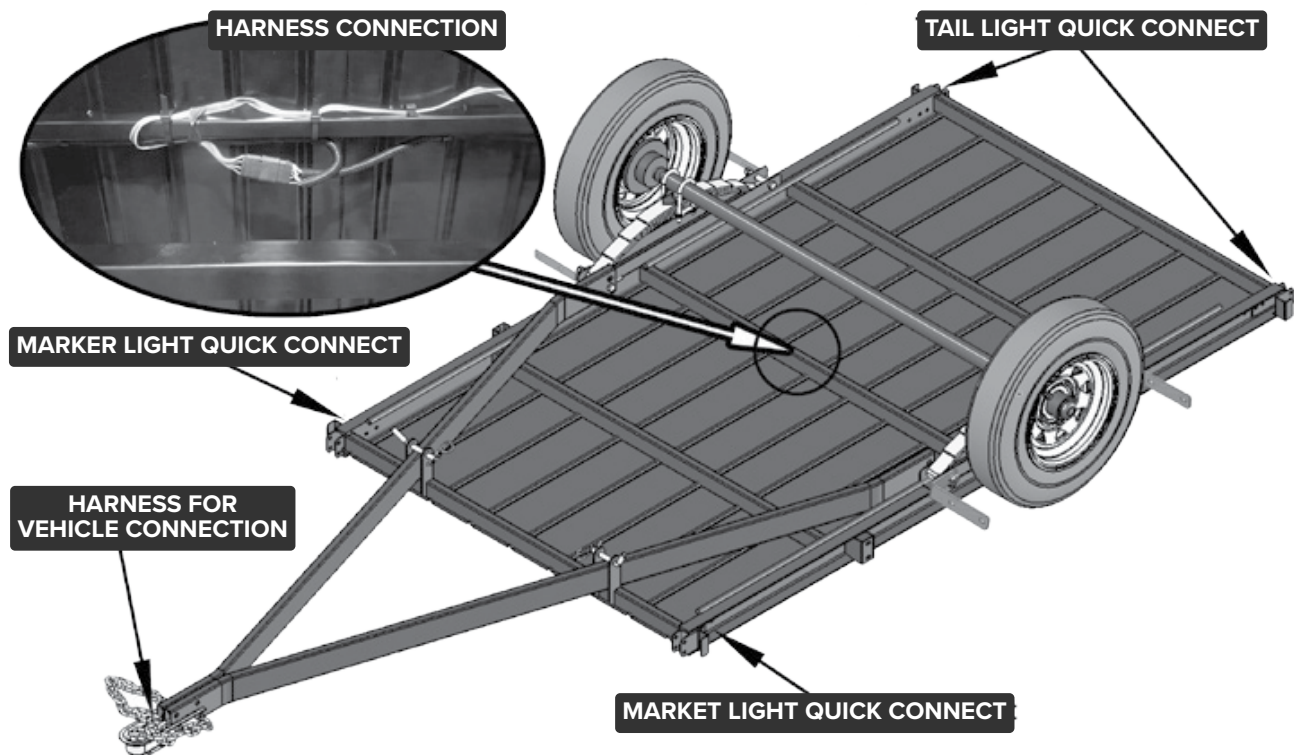


## STEP 6: PRE-WIRING

The wire harness is pre-assembled under the frame. The pre-assembled wiring harness is pre-mounted on the trailer and must be connected to the harness that goes to the front of the trailer tongue.

**NOTE:** Make sure all connections are accessible for light mounting when trailer is flipped over.

Mount the light assemblies onto the side of the rear portion of the frame using the M6 square neck bolts, M6 washers, and M6 nylock nuts. Plug the light connector into the wire harness. Mount the side marker onto the side of the front portion of the frame using the self-tapping screws. Plug the light connector into the wire harness.

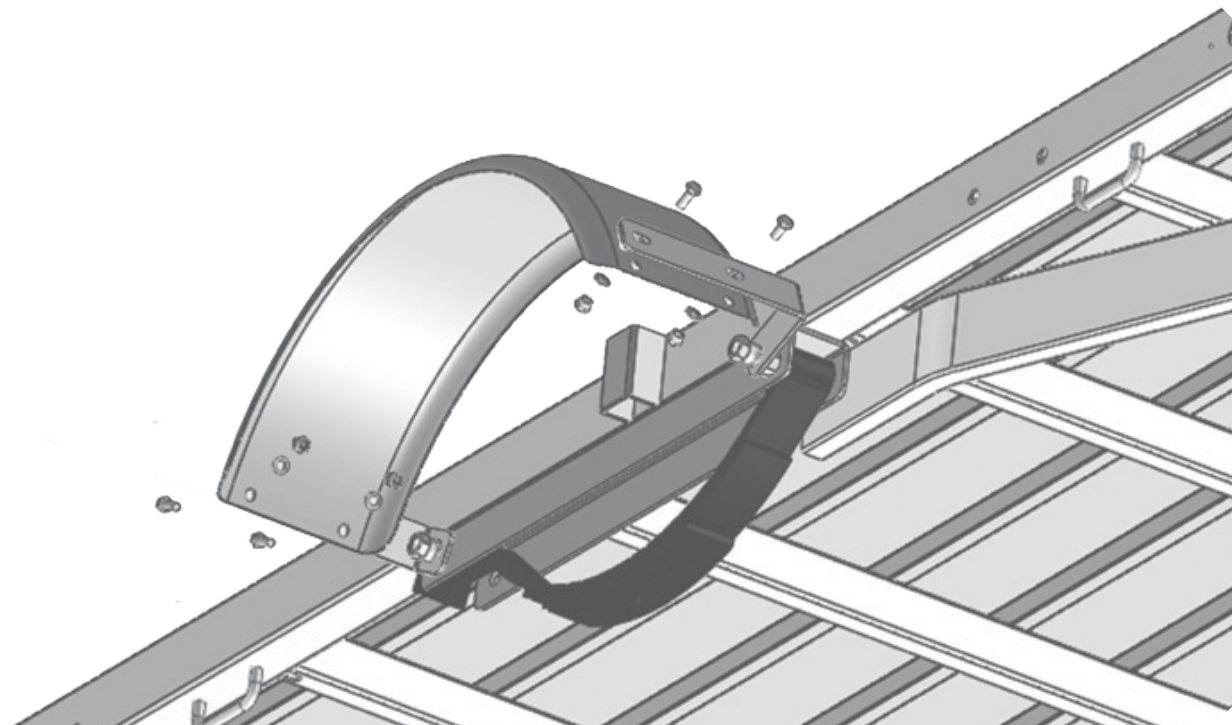


## STEP 7: FLIP OVER & FENDERS

**⚠ WARNING!** Rolling the trailer over will require assistance. The trailer at this point weighs an estimated 400lb (181.4kg).

The fenders now need to be assembled. Secure each fender by fastening the nuts and bolts provided with the fender to the L-brackets and the channel that holds the springs in place.

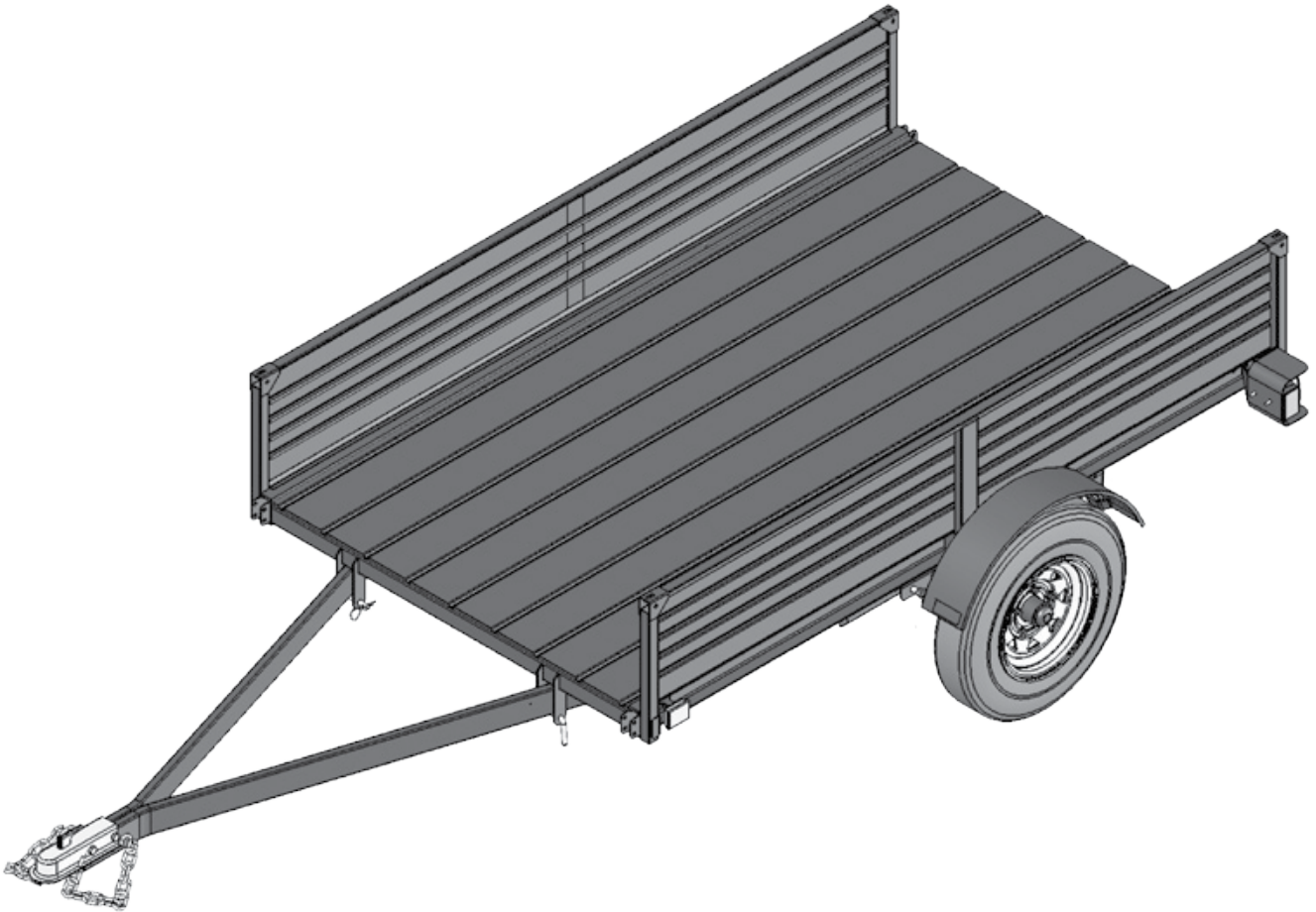
Once the angle of the L-brackets is established, tighten the 4 M14 bolts through the springs until springs are secure. Do not over-tighten as it will collapse spring channel.



**NOTE:** The above drawing shows the trailer from below with axle and wheels removed for clarity.

**STEP 8: SIDE PANELS**

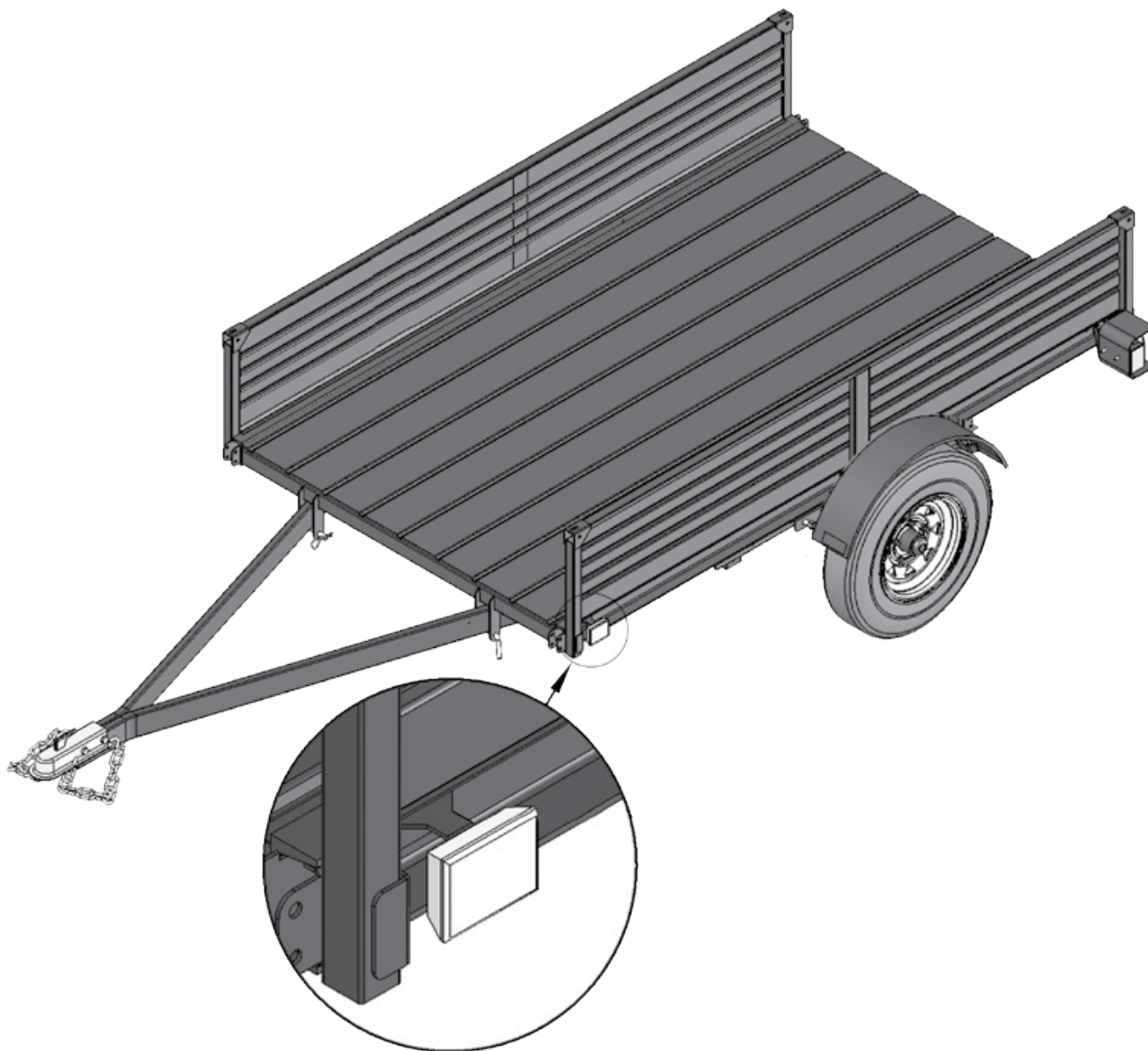
Insert and tighten the eight (four on each side) M8 x 20 mm bolts and M8 lock nuts provided.



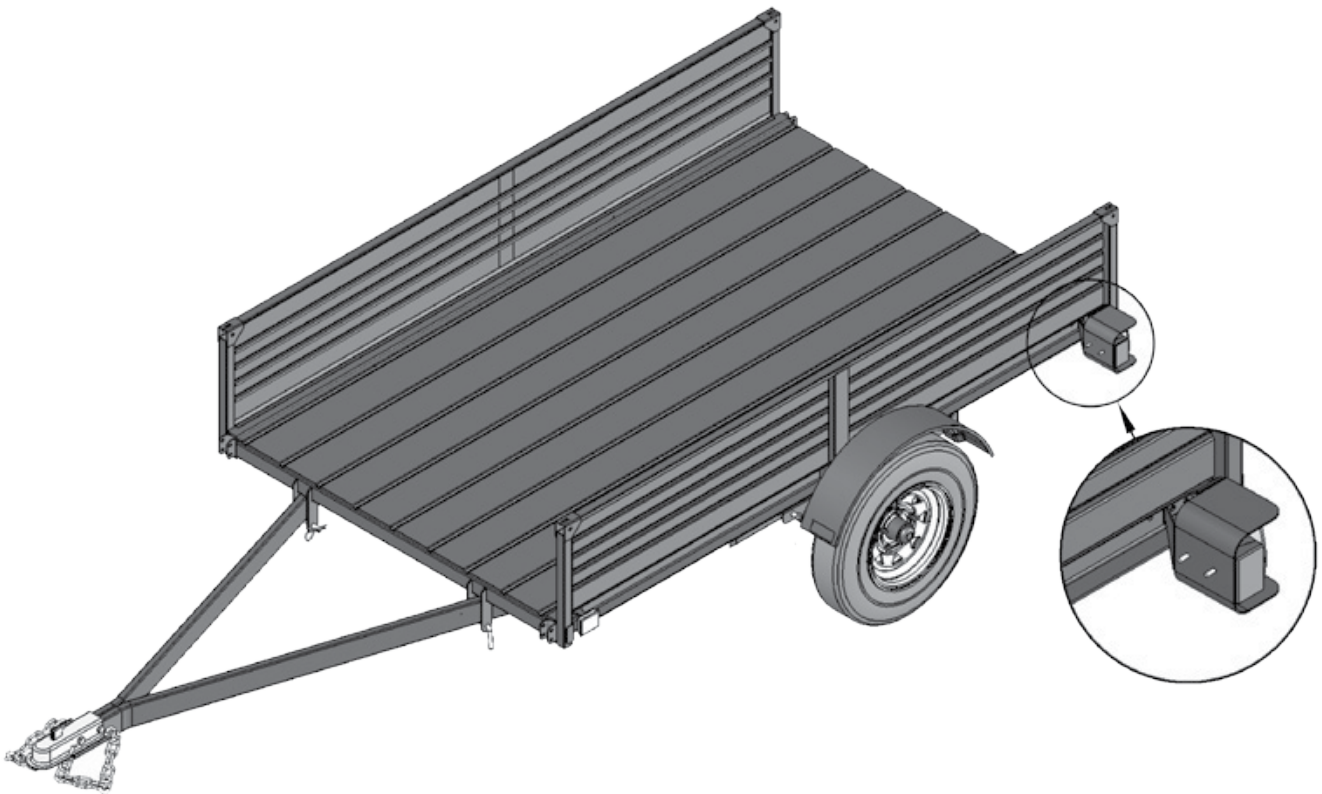
## STEP 9: LIGHTS

Install the lights and complete the wiring.

Mount the side marker onto the side of the front portion of the frame using the self-tapping screws. Plug the light connector into the wire harness.



**NOTE:** Use dielectric grease on each connector for corrosion prevention.

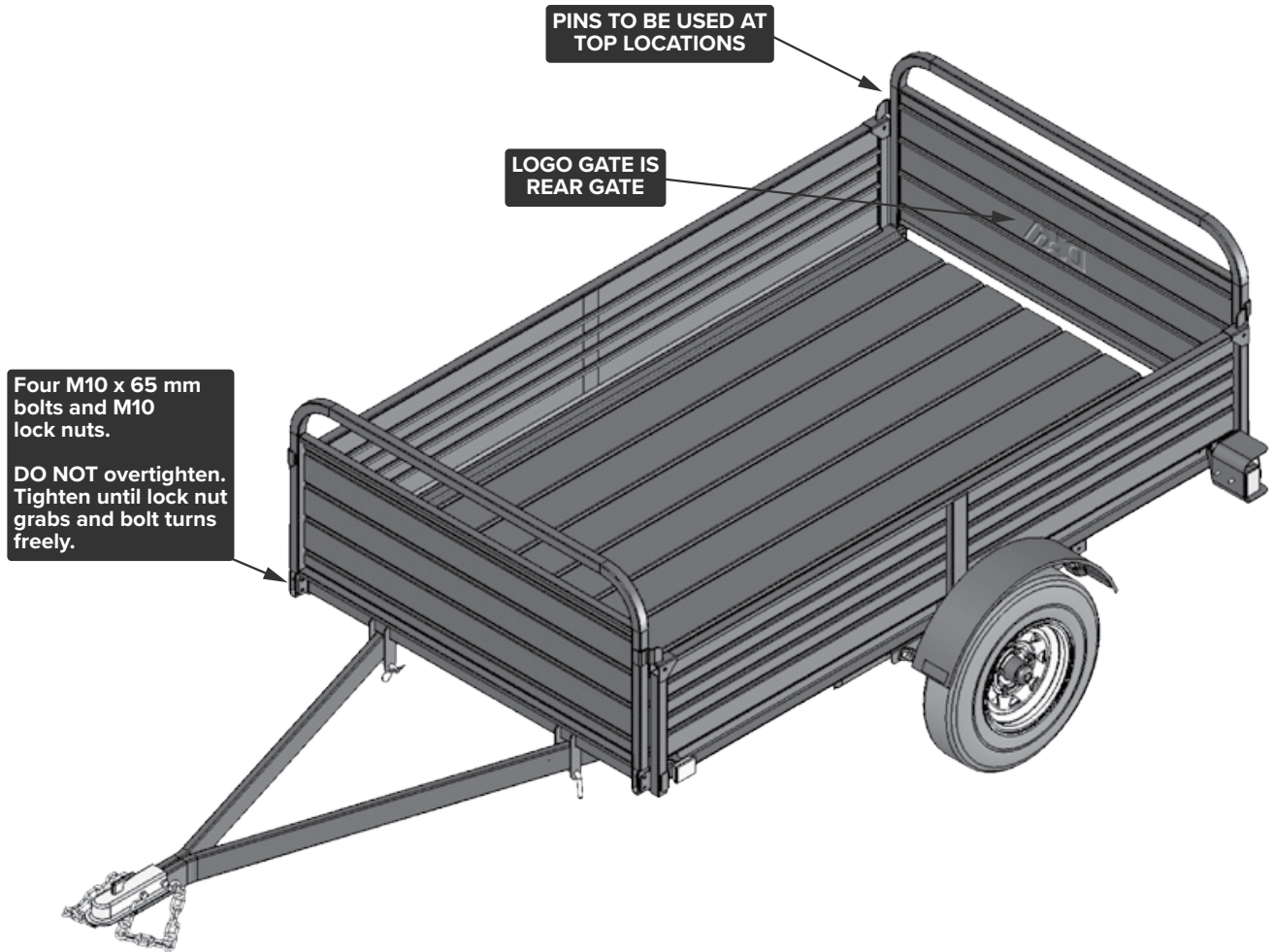


Attach the rear light brackets and install light assemblies. Connect light assembly to wiring harness.




The driver's side light is one with the clear lenses on the bottom, the license plate bracket needs to be installed on the driver's side as well at the same time of assembly.

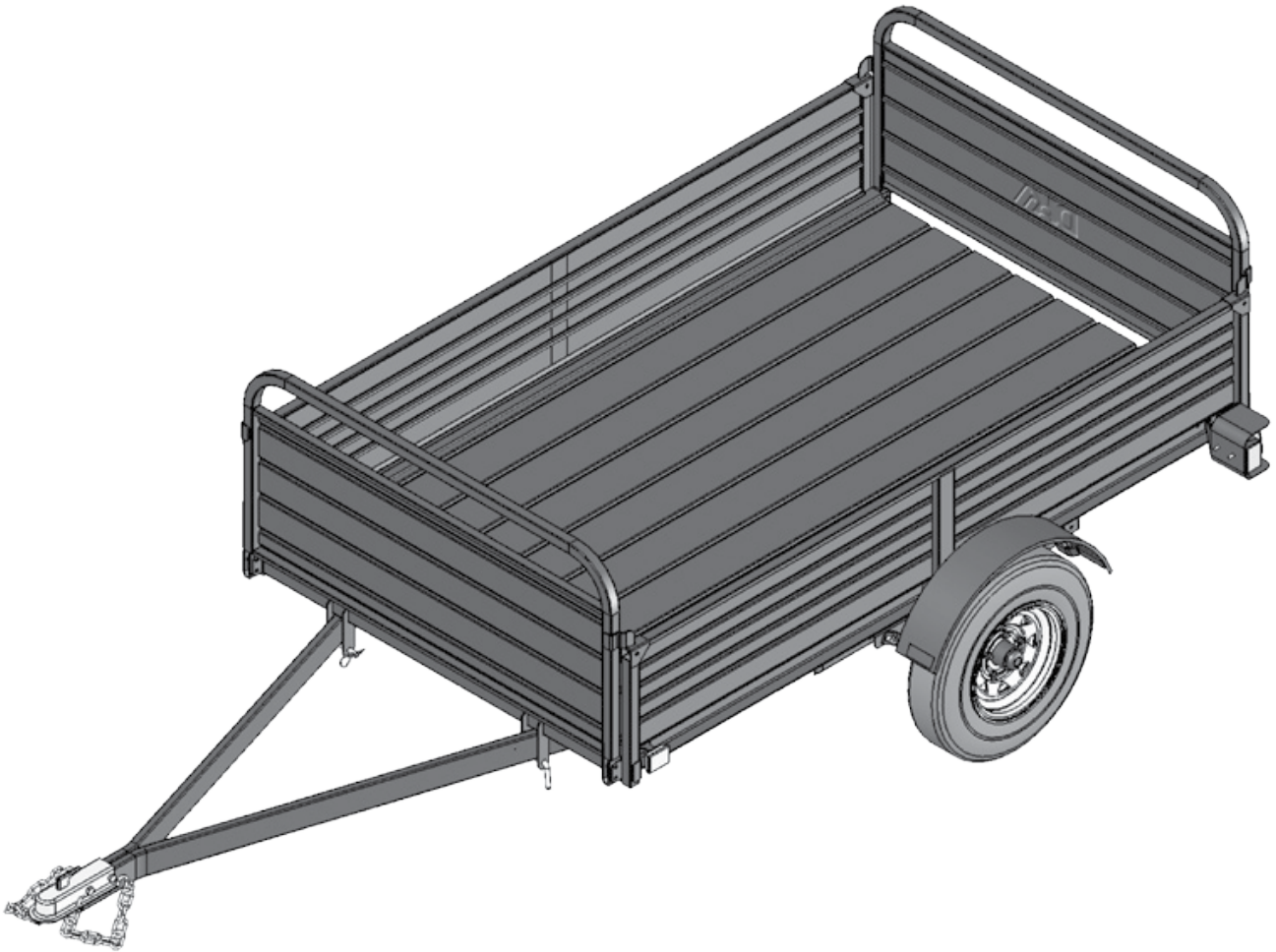
Attach all necessary wiring and fasten lights to the side of the trailer.

## STEP 10: GATES



## STEP 11: WHEEL TORQUING & INSPECTION

-  **WARNING!** WHEEL NUTS MUST BE TORQUED TO 80 FT-LBS.
-  **WARNING!** Connect to vehicle to confirm all lights are working correctly.
-  **WARNING!** Inspect trailer once more to make sure all steps were completed properly. Remember to re-check all nuts before use to make sure they are all properly tightened.



-  **WARNING!** It is the trailer owner's responsibility to periodically check all hardware is secure and fastened properly.

# PARTS & SCHEMATICS

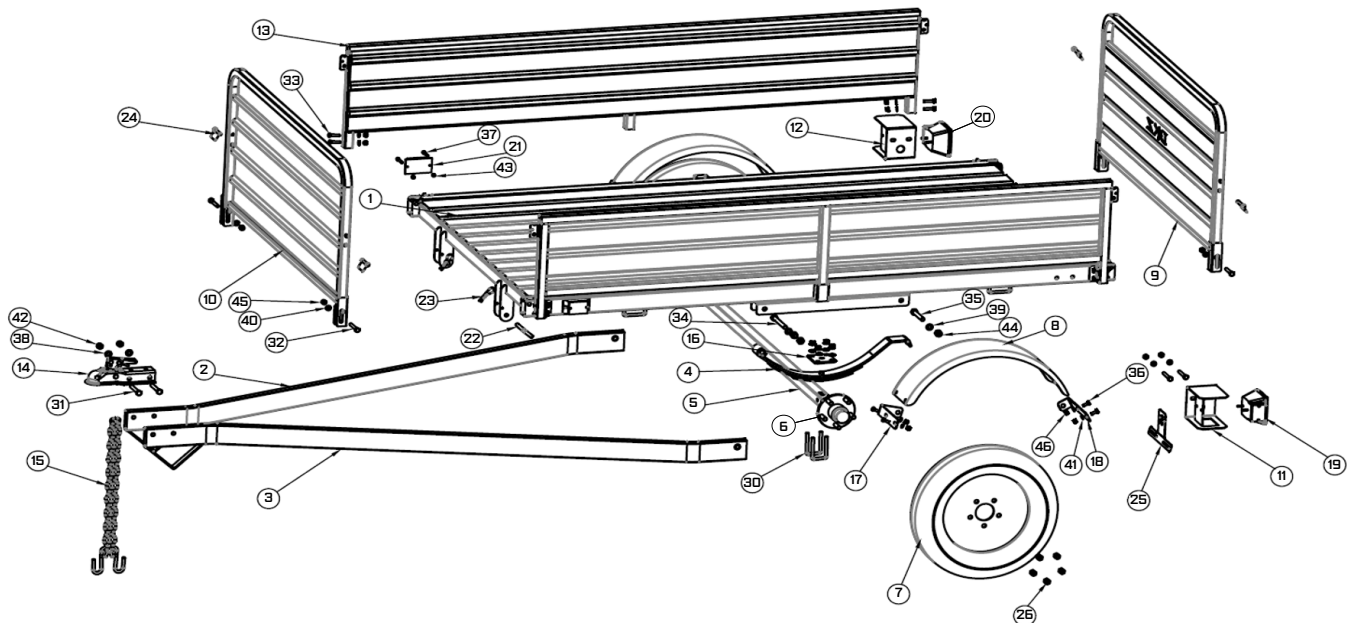
## PARTS LIST

ITEM	DESCRIPTION	PART NO.	QTY.
1	FRAME	100-0162	1
2	RIGHT TONGUE TUBE	100-0163	1
3	LEFT TONGUE TUBE	100-0164	1
4	3-LEAF SPRING	219-0003	2
5	AXLE ASSEMBLY	310-0112	1
6	HUB ASSEMBLY	310-0078	2
7	TIRE - 5.30X12C	220-0019-WH	2
8	FENDER	206-0036	2
9	REAR LOADING RAMP	350-0044	1
10	FRONT GATE	100-0161	1
11	LEFT TAILLIGHT BRACKET	100-0148	1
12	RIGHT TAILLIGHT BRACKET	100-0149	1
13	SIDE PANEL	100-0160	2
14	2" COUPLER 2X2	204-0003	1
15	SAFETY CHAIN	208-0002	1
16	SPRING PLATE	100-035	2
17	FRONT FENDER L BRACKET	100-0153	2
18	REAR FENDER L BRACKET	100-0154	2
19	LEFT TAIL LIGHT	205-0023	1
20	RIGHT TAIL LIGHT	205-0024	1
21	AMBER MARKER LIGHT	205-0069	2

ITEM	DESCRIPTION	PART NO.	QTY.
22	L-PIN	207-0028	2
23	R CLIP	207-0012	2
24	D PIN	207-0012	10
25	LICENSE PLATE HOLDER	207-0011	1
26	LUG NUTS	210-0012	10
27	TONGUE FRONT WIRE HARNESS	205-0070	1
28	FRAME LEFTHAND WIRE HARNESS	205-0073	1
29	FRAME RIGHTHAND WIRE HARNESS	205-0078	1
30	M10 X 95 X 38 U-BOLT	210-0154	4
31	M12 X 80 HEX BOLT	210-0043	2
32	M10 X 70 HEX BOLT	210-0029	8
33	M10 X 50 HEX BOLT	210-0019	8
34	M14 X 120 HEX BOLT	210-0092	2
35	M14 X 85 HEX BOLT	210-0018	2
36	M8 X 20 HEX BOLT	210-0070	8
37	M4 x 65 PHILIPS BOLT	210-0153	4
38	M12 WASHER	210-0004	2
39	M14 WASHER	210-0063	4
40	M10 WASHER	210-0002	24
41	M8 WASHER	210-0007	8
42	M12 NYLOCK NUT	210-0015	10
43	M4 NYLOCK NUT	210-0108	6
44	M14 NYLOCK NUT	210-0064	6
45	M10 NYLOCK NUT	210-0003	24
46	M8 NYLOCK NUT	210-0008	8
47	REAR LOADING RAMP - DUG MODELS	350-0044	1

ENGLISH

## SCHEMATICS



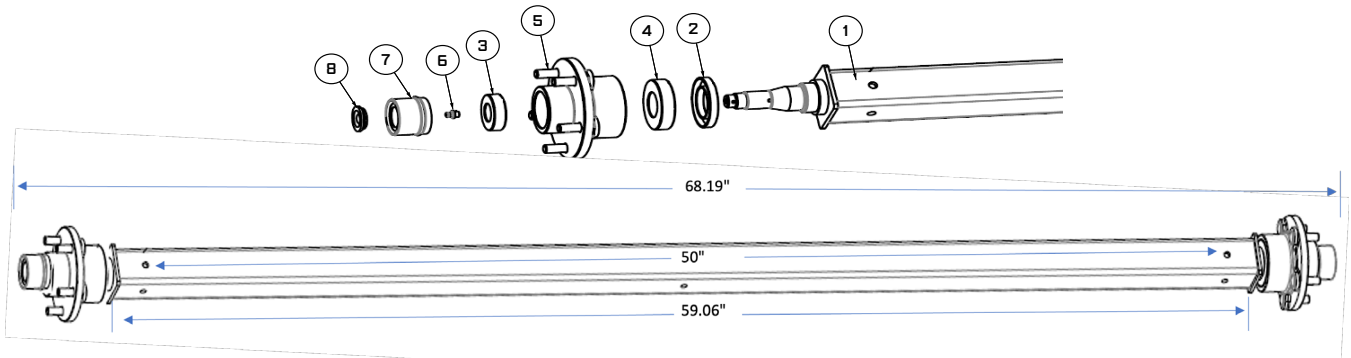
# AXLE ASSEMBLY PARTS & SCHEMATICS

## PARTS LIST: AXLE ASSEMBLY

ITEM	DESCRIPTION	PART NO.	QTY.
1	AXLE WELDMENT	300-0075	1

ITEM	DESCRIPTION	PART NO.	QTY.
2	SEAL (25 X 52 X 15)	217-0019	2
3	BEARING (30205)	202-0004	4
5	HUB ASSEMBLY	310-0078	2
6	GREASE FITTING	229-0083	2
7	DUST CAP WITH HOLE	229-0067	2
8	RUBBER DUST CAP	229-0105	2

## SCHEMATICS: AXLE ASSEMBLY



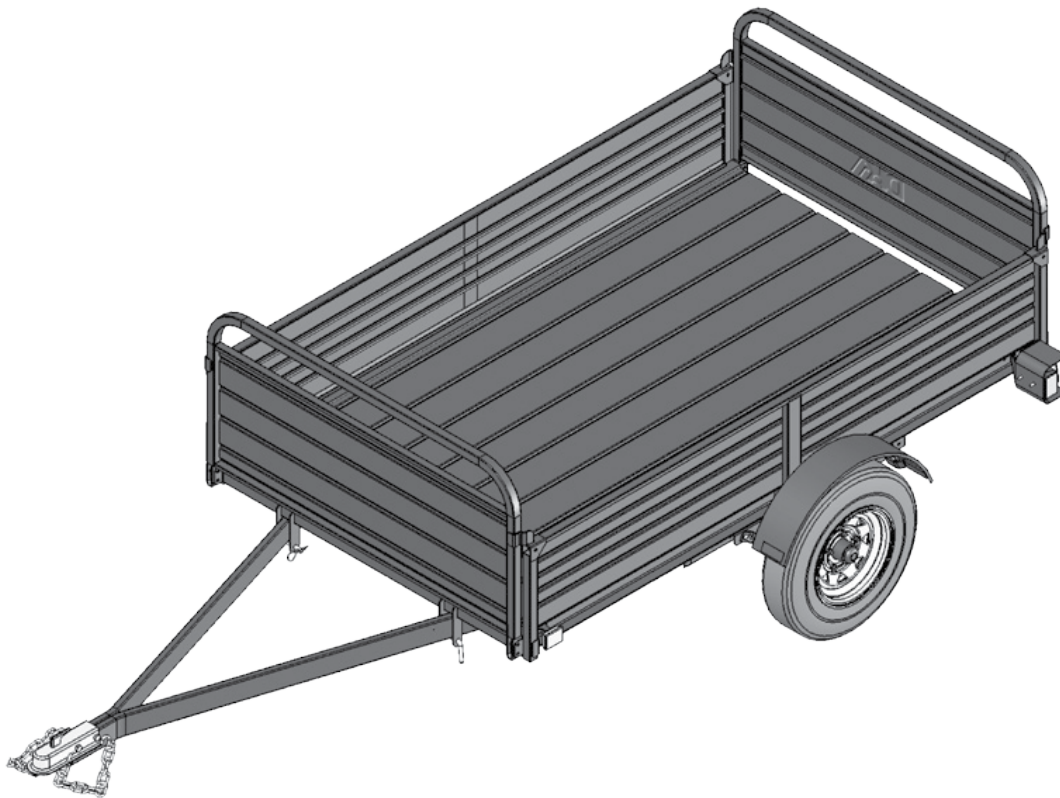


# SÉRIE MMT5X7

REMRORQUE UTILITAIRE 5' X 7'

MMT5X7 • MMT5X7-DUG • MMT5X7G • MMT5X7G-DUG

## MANUEL DE L'UTILISATEUR



**NOTE:** Si vous trouvez des pièces endommagées ou manquantes, **veuillez appeler le service à la clientèle Marlon ou contactez-nous via notre site internet.** Nous remplacerons toutes pièces endommagées ou manquantes gratuitement.  
**Veuillez ne pas retourner au magasin.**

**SERVICE À LA CLIENTÈLE 1 (888) 277-6960 | WWW.DK2.COM**

## GARANTIE

### QUI EST COUVERT

Marlon Recreational Products Ltd. garanti à l'acheteur original que le produit sera exempt de défauts de fabrication et matériaux dans des conditions normales d'utilisation et de service pendant une période d'un (1) an à compter de la date de l'original achat. Si dans un délai d'un (1) an à compter de la date d'achat d'origine, ce produit fait défaut en raison d'un défaut matériel ou de fabrication, Marlon réparera, remplacera ou fournira toute pièce défectueuse couverte à notre gré. La Garantie Marlon est de 1 an sur les pièces seulement sans main-d'oeuvre. Marlon n'aura aucune autre responsabilité liée au produit. Marlon n'autorise aucune partie, y compris ses distributeurs ou revendeurs agréés, pour offrir toute autre garantie au nom de Marlon Recreational Products Ltd.

### CETTE GARANTIE NE COUVRE PAS OU NE S'APPLIQUE PAS À :

- a) Dommages au produit dus à une mauvaise utilisation, une mauvaise manipulation et un abus.
- b) Installation, entretien et entreposage inappropriés.
- c) Les pièces consommables telles que les écrous et boulons, les goupilles et les ressorts, les composants de câblage et de commutateur, les tuyaux hydrauliques et raccords, dents de coupe, chaînes de coupe, lames de coupe, accélérateurs, courroies et pneus.
- d) Usure normale.
- e) Dommages indirects et dommages

accessoires tels que dommages aux personnes ou aux biens.

### ENREGISTREMENT DE VOTRE PRODUIT DK2 BY MARLON

Veillez prendre une minute pour enregistrer votre produit DK2 by Marlon en ligne sur [www.detailk2.com/warranty](http://www.detailk2.com/warranty) ou en appelant le service client au **1 (888) 277-6960**.

### PROCÉDURE D'OBTENTION D'UNE AUTORISATION DE RETOUR

Au cours de la période de garantie d'un (1) an, l'acheteur du produit DK2 by Marlon doit informer un distributeur ou revendeur agréé du défaut réclamé et fournir une preuve d'achat d'origine. À ce moment, la validité de la réclamation sera déterminée et un numéro d'autorisation de retour de marchandise (RGA) sera émis si elle est approuvée. Aucun produit retourné ne sera accepté sous garantie s'il n'est pas accompagné d'un numéro RGA émis par Marlon.

### RÉSOLUTION POUR UN PRODUIT DK2 BY MARLON DÉFECTUEUX

Marlon Recreational Products Ltd. réparera ou remplacera, à sa discrétion, le produit défectueux ou les pièces couvertes par ce garantie. Le produit ou les pièces DK2 by Marlon réparés seront expédiés à l'acheteur par la suite. Tous les frais de transport seront à la charge de l'acheteur. Tous les dommages en transit seront à la charge du transporteur ou aux risques et périls de l'acheteur.

## ENREGISTREMENT DE REMORQUE

La remorque DK2 by Marlon **DOIT ÊTRE CERTIFIÉ** après assemblage par un garage local agréé et qui détient une licence pour fournir des certificats de sécurité pour les véhicules routiers.

Afin d'enregistrer votre remorque auprès du Department of Motor Vehicles ou du Ministère des Transports et obtenir une plaque d'immatriculation, vous devrez avoir soit le formulaire NVIS au Canada ou le certificat d'origine du fabricant aux États-Unis rempli et signé par le concessionnaire vous transférant la propriété. Ce formulaire se trouve dans la trousse du manuel de votre remorque. Prenez ce formulaire avec l'acte de vente (reçu de caisse) et le certificat de sécurité à votre service local des véhicules à moteur ou le bureau des licences du ministère des Transports. Une fois que vous aurez payé les frais appropriés, vous recevrez un titre ou un enregistrement et une plaque d'immatriculation à attacher à la remorque.

### RÉSIDENTS DES ÉTATS-UNIS POUR CONTACTER L'ADMINISTRATION NATIONALE DE LA SÉCURITÉ ROUTIÈRE

Si vous pensez que votre véhicule présente un défaut susceptible de provoquer un accident, des blessures ou de décès, informez immédiatement la National Highway Traffic Safety Administration (NHTSA) en plus d'aviser Marlon® Recreational Products Ltd.

Si la NHTSA reçoit des plaintes similaires ou constate des défauts de sécurité dans un groupe de véhicules, elle peut ouvrir une enquête ou ordonner une campagne de rappel et de réparation. Cependant, la NHTSA ne peut pas être impliquée dans

des problèmes individuels entre vous, votre revendeur ou Marlon Recreational Products Ltd.

**Pour contacter la NHTSA, vous pouvez soit appeler la ligne de sécurité automobile sans frais au 1 (800) 424-9393 (ou 366-0123 dans la région de Washington, DC) ou écrivez à : NHTSA, U.S. Department of Transportation, Washington, DC 20590.**

## TABLE DES MATIÈRES




GARANTIE .....	24
ENREGISTREMENT DE REMORQUE .....	25
SPÉCIFICATIONS TECHNIQUES .....	26
<b>SÉCURITÉ .....</b>	<b>27</b>
CONVENTIONS DE SÉCURITÉ .....	27
LISTE DE CONTRÔLE DE SÉCURITÉ IMPORTANTE .....	27
ENTRETIEN D'ÉCLAIRAGE ET DE CÂBLAGE .....	28
POUR VÉRIFIER LE CÂBLAGE DU VÉHICULE : .....	29
POUR VÉRIFIER LE CÂBLAGE DE LA REMORQUE : .....	29
CHARGEMENT DE VOTRE REMORQUE .....	29
ATTELAGE DE REMORQUE .....	30
POUR AJUSTER LE COUPLEUR À LA BOULE : .....	30
ASSEMBLAGE DE ROULEMENT DET DE MOYEU DE ROUES .....	31
RÉEMBALLAGE DES ROULEMENTS DE ROUES .....	31
<b>ASSEMBLÉE .....</b>	<b>32</b>
ÉTAPE 1 : DÉBALLEZ VOTRE REMORQUE .....	32
ÉTAPE 2 : SUPPORTS EN L ET RESSORTS À LAMES .....	33
ÉTAPE 3 : COUPLEUR ET CHAÎNE DE SÉCURITÉ .....	34
ÉTAPE 4 : ESSIEU .....	35
ÉTAPE 5 : PNEUS .....	36
ÉTAPE 6 : PRÉ-CÂBLAGE .....	37
ÉTAPE 7 : RETOURNEMENT ET GARDE-BOUE .....	38
ÉTAPE 8 : PANNEAUX LATÉREAUX .....	39
ÉTAPE 9 : LUMIÈRES .....	40
ÉTAPE 10 : PORTES .....	42
ÉTAPE 11 : SERRAGE ET INSPECTION DES ROUES .....	43
<b>PIÈCES ET SCHÉMAS .....</b>	<b>44</b>
LISTE DES PIÈCES .....	44
SCHÉMAS .....	44
<b>PIÈCES ET SCHÉMAS ASSEMBLAGE DE L'ESSIEU .....</b>	<b>45</b>
LISTE DES PIÈCES : ASSEMBLAGE DE L'ESSIEU .....	45
SCHÉMAS : ASSEMBLAGE DE L'ESSIEU .....	45

## SPÉCIFICATIONS TECHNIQUES

<b>CAPACITÉ DE CHARGE UTILE</b>	1 639 lb (743,4 kg)
<b>PNBV</b>	2 073 lb (940,3 kg)
<b>ROUES ET PNEUS</b>	D.O.T. Pneus 5.30-12 à 6 plis avec gabarit de boulons 5 x 4,5 po (11,4 cm)
<b>MATÉRIAU</b>	Tube d'acier robuste entièrement soudé avec revêtement électrostatique résistant UV
<b>PANNEAUX LATÉRAUX</b>	Acier renforcé ondulé
<b>RAMPE DE CHARGEMENT ARRIÈRE</b>	Acier renforcé ondulé de 24 po (61 cm)
<b>PLANCHER</b>	Panneau ondulé en acier renforcé
<b>BENNE BASCULANTE</b>	2 positions, montée sur essieu avec goupille de verrouillage à dégagement rapide
<b>ÉCLAIRAGE</b>	DEL D.O.T précâblée et à connexion rapide
<b>DIMENSIONS DE LA BENNE</b>	88 po (L) x 52 po (l) 223,5 cm (L) x 132,1 cm (l)
<b>HAUTEUR DU SOL</b>	20 po (50,8 cm)
<b>HAUTEUR D'ATTELAGE</b>	16 po (40,6 cm)
<b>DIMENSIONS</b>	177 po (L) x 65 po (l) x 36 po (H) 449,6 cm (L) x 165,1 cm (l) x 91,4 cm (H)
<b>POIDS</b>	434,3 lb (197 kg)
<b>DIMENSIONS D'EXPÉDITION</b>	88 po (L) x 55 po (l) x 9 po (H) 223,5 cm (L) x 139,7 cm (l) x 22,9 cm (H)
<b>POIDS D'EXPÉDITION</b>	458,6 lb (208 kg)
<b>GARANTIE</b>	Limitée 1 an

## SÉCURITÉ

### CONVENTIONS DE SÉCURITÉ

-  **DANGER!** Ceci indique une situation dangereuse qui, si elle n'est pas évitée, pourrait entraîner la mort ou des blessures graves.
-  **AVERTISSEMENT!** Cela indique une situation dangereuse qui, si elle n'est pas évitée, pourrait entraîner des blessures légères ou modérées.
-  **MISE EN GARDE!** Ces informations sont importantes pour une utilisation correcte de votre machine. Non-respect cette instruction pourrait endommager votre machine ou vos biens.


#### INFORMATIONS SUPPLÉMENTAIRES ET CHANGEMENTS POTENTIELS

Nous nous réservons le droit d'interrompre, de modifier et d'améliorer nos produits à tout moment sans notification ou obligation à l'acheteur. Les descriptions et spécifications contenues dans ce manuel étaient en vigueur au moment de l'impression. L'équipement décrit dans ce manuel peut être en option. Certaines illustrations peuvent ne pas s'appliquer à votre machine.

### LISTE DE CONTRÔLE DE SÉCURITÉ IMPORTANTE

Les remorques ne sont généralement pas utilisées tous les jours. Votre remorque peut être entreposée pendant de longues périodes entre les utilisations, il est donc très important de vérifier soigneusement toutes les composantes avant chaque utilisation. Suivre ces instructions simples maximisera la durée de vie de votre remorque et vous aidera à transporter des


marchandises en toute sécurité.


 **MISE EN GARDE! N'ABUSEZ PAS DE LA REMORQUE :** Les performances de la remorque sont optimales si vous suivez les directives énoncées dans ce manuel. Ne pas surtaxer la remorque à faire un travail pour lequel elle n'est pas conçue. Connaissez votre remorque; apprendre ses applications et limites.


1. Assurez-vous que le véhicule tracteur ainsi que l'attelage sont capables de tirer la remorque. Vérifier le manuel du propriétaire de votre véhicule sous la rubrique : remorquage.
2. Inspectez la remorque et toutes ses pièces avant chaque utilisation.
3. Vérifiez le fonctionnement de toutes les lumières et feu. Les feux de positions et lumières arrières sont obligatoires sur une remorque.
4. Vérifiez que les boulons de roue sont bien serrés. Serrez à 80 lb-pi. Resserrer après les 50 premiers milles (80 km).
5. Vérifiez la pression des pneus. Maximum 80PSI (552KPA) lors du transport du maximum nominal charge.
6. Regraisser les roulements de roue tous les 2 000 miles (3 200 km) ou au moins une fois tous les ans.
7. Vérifiez que le coupleur de remorque est solidement fixé sur la boule de remorque. La boule de remorque doit être une balle de 2 po-5,08 cm.
8. Assurez-vous que la chaîne de sécurité est attachée à la remorque et au véhicule tracteur.
9. Si votre remorque est équipée d'un


kit latéral en option, assurez-vous que tous les boulons et goupilles sont en place avant transportés votre remorque.


10. Ne dépassez pas le poids nominal brut du véhicule (G.V.W.R.) indiqué sur la remorque étiquette de série/de certification.
11. Équilibrez et sécurisez la charge sur la remorque. Voir la section « Chargement de la remorque » dans ce manuel.
12. La lubrification du coupleur, des ressorts et du mécanisme d'inclinaison doit être effectuée périodiquement pour arrêter la corrosion et garder les pièces en mouvement librement.


 **DANGER! TENIR LES ENFANTS À L'ÉCART :** Assurez-vous que les enfants sont tenus à une distance sécuritaire de la zone d'utilisation de la remorque.


 **DANGER! NE JAMAIS S'ASSEOIR OU MONTER SUR LA REMORQUE :** Des blessures graves ou la mort pourraient survenir.


 **DANGER! EXERCER UNE EXTRÊME PRUDENCE LORS DE L'INCLINAISON DE LA REMORQUE :** Il existe de nombreuses zones de la remorque où des blessures peuvent survenir si elles ne sont pas utilisées correctement. La remorque peut s'incliner rapidement et de manière inattendue pendant le processus de chargement et de déchargement. L'option d'inclinaison ne doit pas être utilisée pour les charges lourdes.


 **DANGER!** Des rampes doivent être utilisées pour le chargement d'objets lourds.


 **DANGER!** Ne roulez pas avec la remorque en position inclinée.


 **DANGER!** Ne chargez pas plus d'un véhicule tout-terrain sur cette remorque.

 **DANGER!** Si la remorque est mal fixée au véhicule, elle risque de se détacher du véhicule et tomber.

 **DANGER!** Fixez la remorque au véhicule tracteur avant le transport. S'assurer l'attelage est verrouillé et les chaînes de sécurité sont attachées à la remorque et au véhicule.

 **DANGER!** Sécurisez correctement votre cargaison dans la remorque et conformément aux lois locales.

 **DANGER!** Lorsque vous conduisez, ne dépassez pas la limite de vitesse. Le temps de freinage peut être considérablement plus longtemps lorsqu'un véhicule tracte une remorque chargée.

 **DANGER!** Toute modification apportée à la remorque ou à des pièces de la remorque annulera la garantie et dégage Marlon® Recreational Products Ltd. de toute responsabilité pour les dommages, blessures ou accidents encourus.

## ENTRETIEN D'ÉCLAIRAGE ET DE CÂBLAGE

 **DANGER! UTILISEZ UNIQUEMENT DES PIÈCES ET ACCESSOIRES D'ÉQUIPEMENT D'ORIGINE :** Consultez Marlon au **1 (888) 277-6960** pour les accessoires recommandés. L'utilisation d'accessoires inappropriés peut entraîner des risques ou des blessures.

LÉGENDE DE CÂBLAGE				
SYMBOLE	COULEUR	DESCRIPTION	OPÉRATION	
G	Fil vert	Côté passager (droite)	Signal côté droit	Frein
B	Fil brun	Feu de route	Feux arrière	Feux latéraux jaune
Y	Fil jaune	Côté conducteur (gauche)	Signal gauche	Frein
W	Fil blanc	Mise en terre	Mise en terre de la remorque	

**REMARQUE :**


Le feu d'arrêt s'éteint du côté qui signale.  
Filament inférieur (lumière plus brillante) = Freinage et signal.  
Filament supérieur (variateur de lumière) = feux de position

**POUR VÉRIFIER LE CÂBLAGE DU VÉHICULE :**

Vous aurez besoin d'un testeur de lumière 12v. Fixez la pince du testeur au fil de terre de la prise du véhicule. Touchez ensuite la tige du testeur dans l'un des contacts de la fiche du véhicule. Allume le fonctionnement correspondant du véhicule, c'est-à-dire les feux de position. Cela allumera la lumière du testeur si le câblage du véhicule est correct. Suivez cette même procédure pour les feux de signalisation et de freinage.

**POUR VÉRIFIER LE CÂBLAGE DE LA REMORQUE :**

Une fois que vous avez confirmé que la prise de remorque du véhicule fonctionne correctement, branchez la remorque sur votre véhicule. Pour procéder au test de chacune des lumières et des fils d'alimentation à l'aide de votre lumière, testez 12v. Suivez la légende et le schéma de câblage pour tester chaque fil correspondant pour l'alimentation lorsque le feu de la remorque ne fonctionne pas.

 **MISE EN GARDE!** Assurez-vous toujours de vérifier vos feux de freinage, de positionnement et de signalisation avant chaque utilisation. Assurez-vous que toutes vos

connexions sont solides et que tout le câblage est en bon état.



**MISE EN GARDE!** Un fil dénudé, dénudé ou pincé causera un court-circuit dans la remorque, ce qui le fusible du véhicule à sauter. Une terre solide est nécessaire pour que vos lumières fonctionnent correctement. Tous les contacts doivent être au métal nu. Les couvertures légères doivent être bien entretenues et maintenues propres. Assurez-vous que vos lumières sont toujours visibles, non obstruées par votre charge.

**CHARGEMENT DE VOTRE REMORQUE**

- Distribuez le poids uniformément.
- Centrez la charge sur l'essieu, en gardant environ 10 % du poids sur le timon. (Si les roues ne sont pas sur une traverse, vous devrez ajouter du bois au sol pour soutenir chaque essieu).
- Centrez la charge d'un côté à l'autre.
- Sécurisez toujours votre cargaison dans la remorque correctement et conformément aux lois locales.



**AVERTISSEMENT!** Ne montez pas votre charge dans la remorque à plus de 3 pieds -1 mètres. Une charge plus

élevée affectera la maniabilité de la remorque en raison de la résistance accrue au vent. Cela peut provoquer des mouvements violents, accidents et blessures graves.

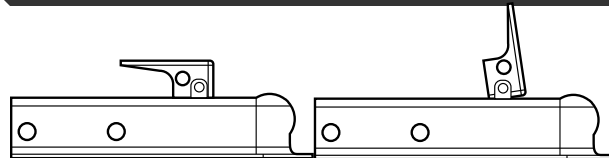
### **AVERTISSEMENT! CAPACITÉ DE LA REMORQUE**

- Ne surchargez jamais votre remorque. Chaque remorque a une charge utile maximale qui ne doit pas être dépassé. La surcharge de votre remorque pourrait également causer de graves dommages à votre remorque tout comme au véhicule. Veuillez vous reporter à l'étiquette de série/de certification de votre remorque située sur le même cadre de la remorque pour les détails de capacité.
- Le poids nominal brut du véhicule (P.N.B.V.) est le poids de la remorque + le poids maximum de charge utile que la remorque peut transporter. Le poids de la remorque et la charge utile ne doivent pas dépasser cette cote de poids.
- Assurez-vous que toute charge transportée dans votre remorque ne dépasse pas le cadre de votre remorque. Ne placez jamais les charges d'un seul côté.

### **AVERTISSEMENT! POIDS SUR LE TIMON (PÔLE)**

- Le poids au timon correspond à 10 % de la charge (cela n'inclut pas le poids de la remorque).
- La charge est répartie de manière à ce que 90 % de la charge se trouve sur l'essieu et 10 % sur le timon.

## ATTELAGE DE REMORQUE



FERMÉ

DÉBLOQUÉ

### **POUR AJUSTER LE COUPLEUR À LA BOULE :**

Placez l'attache et le timon sur la boule de remorquage de 2 pouces - 5,08 cm de votre véhicule. Relevez le levier de verrouillage, poussez sur le verrou de canal et tournez l'écrou pour serrer ou desserrer l'attelage. Un bon réglage est obtenu lorsque l'attelage est aussi serré que possible sur la boule et que le levier de verrouillage peut encore être ouvert et fermé.



**MISE EN GARDE! Avant de tirer votre remorque, assurez-vous de vérifier la capacité de votre attelage sur votre véhicule (ne dépassez jamais cette capacité ou la capacité de remorquage).** La remorque DK2® by Marlon® est équipée d'un attelage de 2 pouces - 5,08cm et doit être utilisée avec boule de remorquage de 2 pouces - 5,08cm. Assurez-vous que l'attelage de la remorque est complètement engagé sur la boule d'attelage.

## ASSEMBLAGE DE ROULEMENT DET DE MOYEU DE ROUES

**REMARQUE :** Aucune pièce n'est plus critique pour performance fiable de votre remorque que les roulements, courses, et joints. Pour vous assurer que votre remorque fonctionne de façon fiable, vous devez inspecter les roulements, les courses, et joints d'étanchéité et remplir de graisse les roulements tous les 12 mois ou 2 000 milles (3 200 km). C'est facilement trouvable sur internet en recherchant "Roulements de roue de remorque entretien-maintenance".

### RÉEMBALLAGE DES ROULEMENTS DE ROUES

1. Desserrez les boulons de roue (ne les retirez pas)
2. Soutenez la remorque de manière à ce que la roue ne touche pas le sol (Pied d'appui - cric de plancher - blocs)
3. Retirez les écrous et la roue
4. Démontez le moyeu
5. Nettoyez le moyeu et les roulements avec de la graisse pour roulements de roue
6. Réinstallez les roulements, l'écrou et la goupille



**AVERTISSEMENT!** NE PAS trop serrer l'écrou. Le moyeu doit tourner librement et sans jeu.

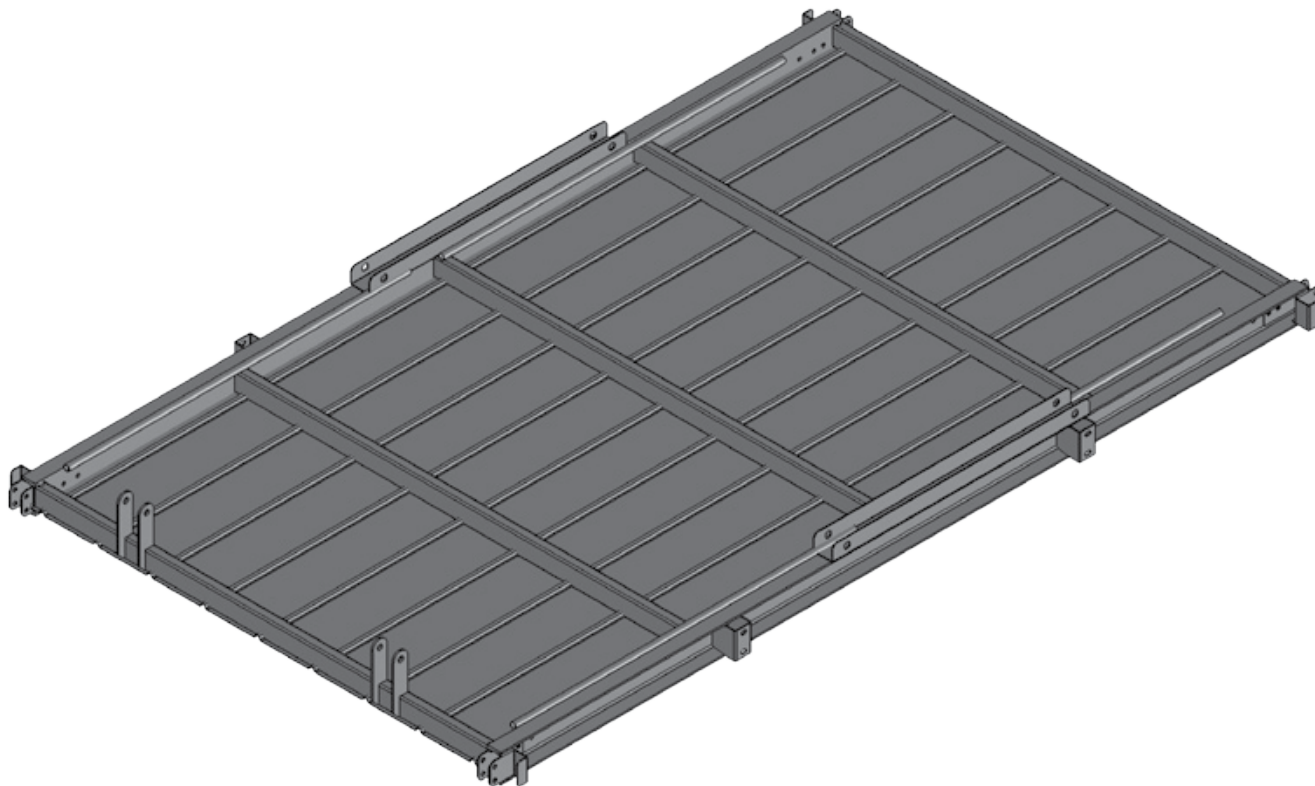
7. Re-installez les boulons et la roue (serrez à 80 lb)

## ASSEMBLÉE

### ÉTAPE 1 : DÉBALLEZ VOTRE REMORQUE

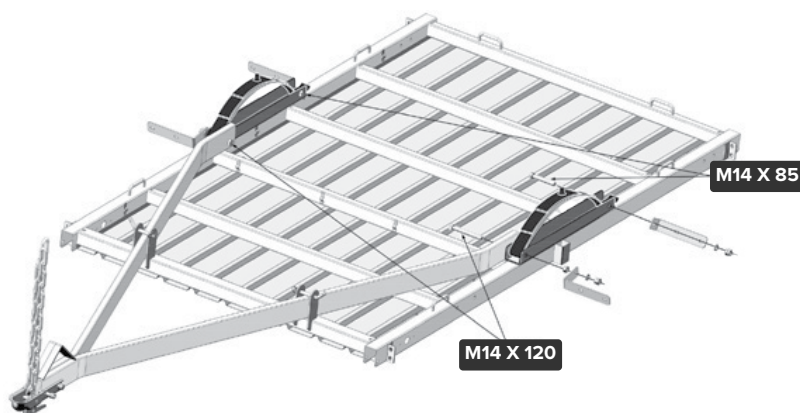
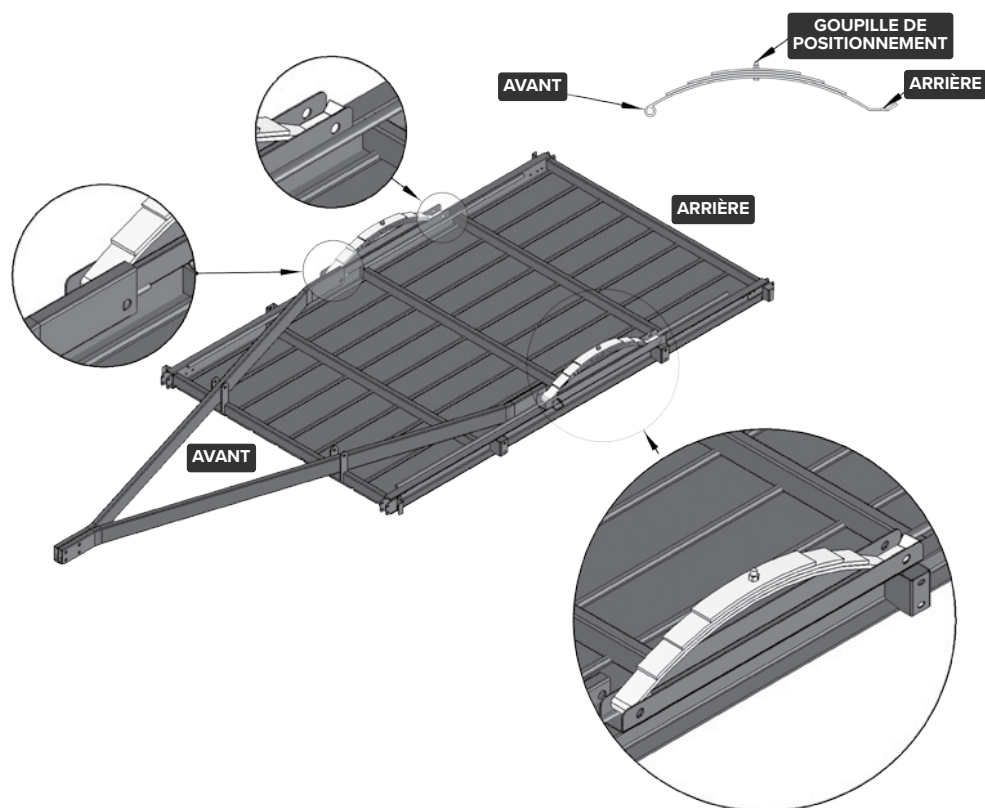
Ouvrez et déballez tous les articles. Laissez beaucoup d'espace de travail, car vous devrez retourner de côté la remorque plus tard dans l'assemblage.

Le châssis de la remorque est expédié à l'envers, comme illustré. Laissez le cadre sur le carton et utilisez comme surface de travail.



## ÉTAPE 2 : SUPPORTS EN L ET RESSORTS À LAMES

Placer les ressorts et les deux tubes de pole tel qu'indiqué, le bout avant du ressort vers l'avant de la remorque, insérer le deux boulons de M14 x 120 mm par l'intérieur à travers le tube de pole et à travers puis le cadre, les moyeux de ressort et les supports en L à l'avant du ressort. Utiliser les boulons de M14 x 85 mm pour l'arrière, pour ceux-ci aussi de l'intérieur vers l'extérieur. Installé les écrous de blocage 9/16 serré à main à l'extérieur du cadre, à travers le cadre, au-dessus des languettes arrière des ressorts et des supports en L à l'arrière de l'aile. Serrer les 4 rondelles et les écrous autobloquants M14 en les serrant à la main dans les locations indiquées jusqu'à ce que le ressort soit sécurisé. Ne serrez pas trop car il pourrait affaisser le cadre du châssis.

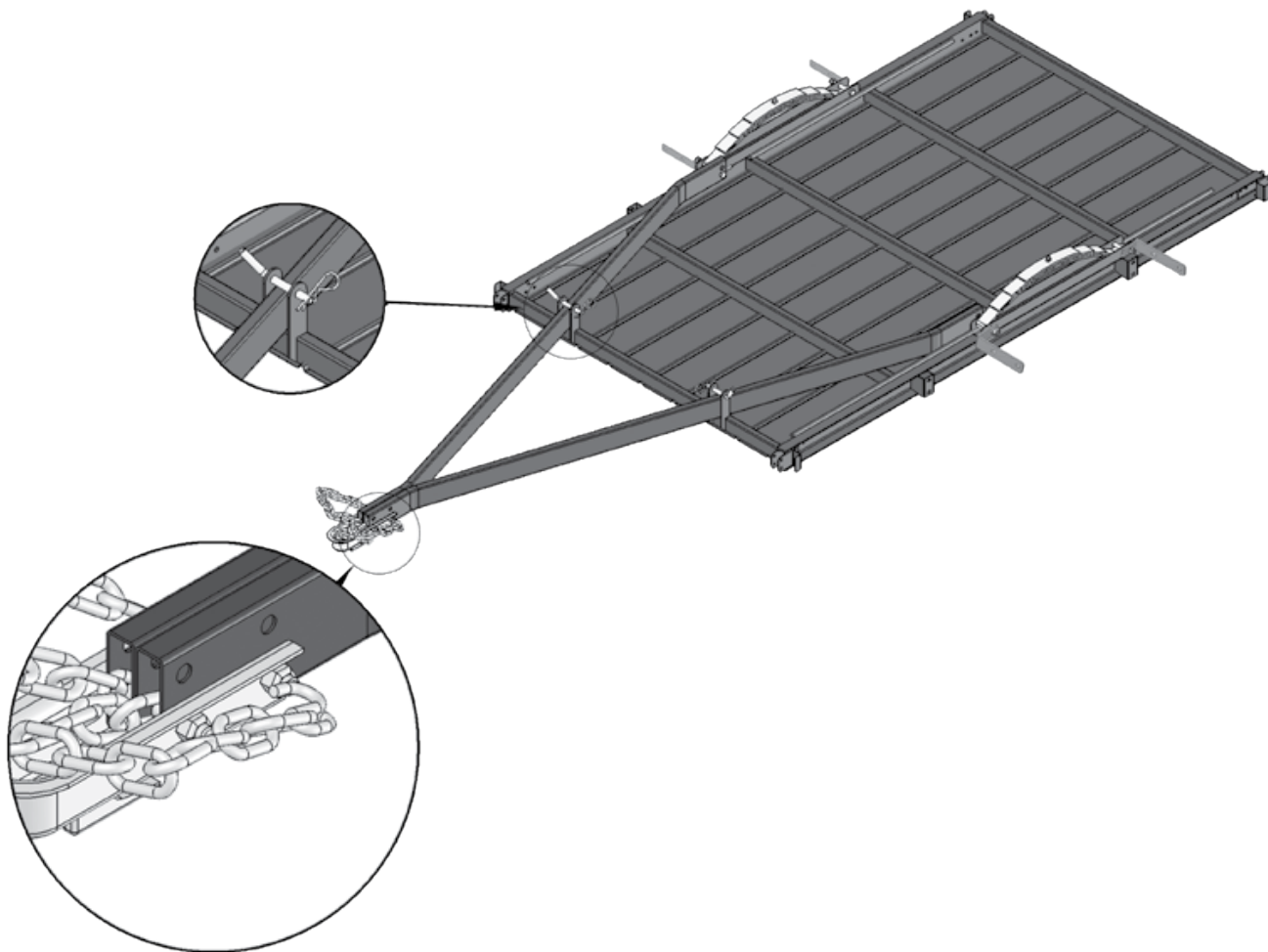


### ÉTAPE 3 : COUPLEUR ET CHAÎNE DE SÉCURITÉ

Insérez les deux goupilles d'attelage ½ po comme indiqué.

Installez le coupleur et la chaîne de sécurité à l'aide des boulons M12 x 75 mm et des contre-écrous M12 fournis.

Trouvez le maillon du milieu sur la chaîne et faites-le passer par le côté du timon où le harnais de câbles n'est pas. Faites passer votre boulon à travers.

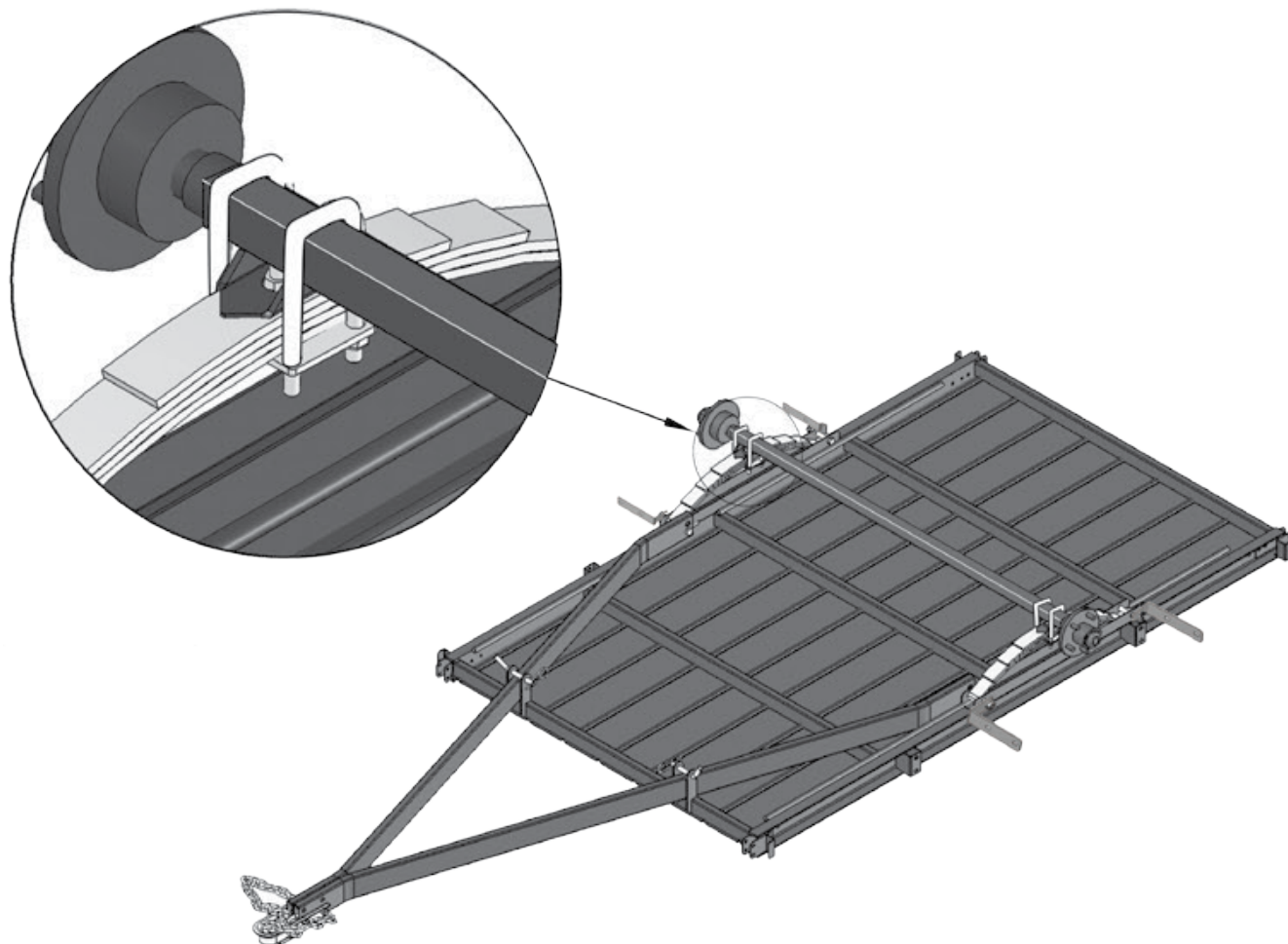


## ÉTAPE 4 : ESSIEU

Poser l'essieu en travers sur les ressorts. Monter l'essieu sur les ressorts avec les boulons en U-M10, plaque d'assise du ressort, rondelles M10 et écrous Nylock M10.

**REMARQUE :** Insérez la plaque soulevée sur le ressort dans la partie concave sur l'essieu.

Assurez-vous que l'essieu est dans la bonne position.



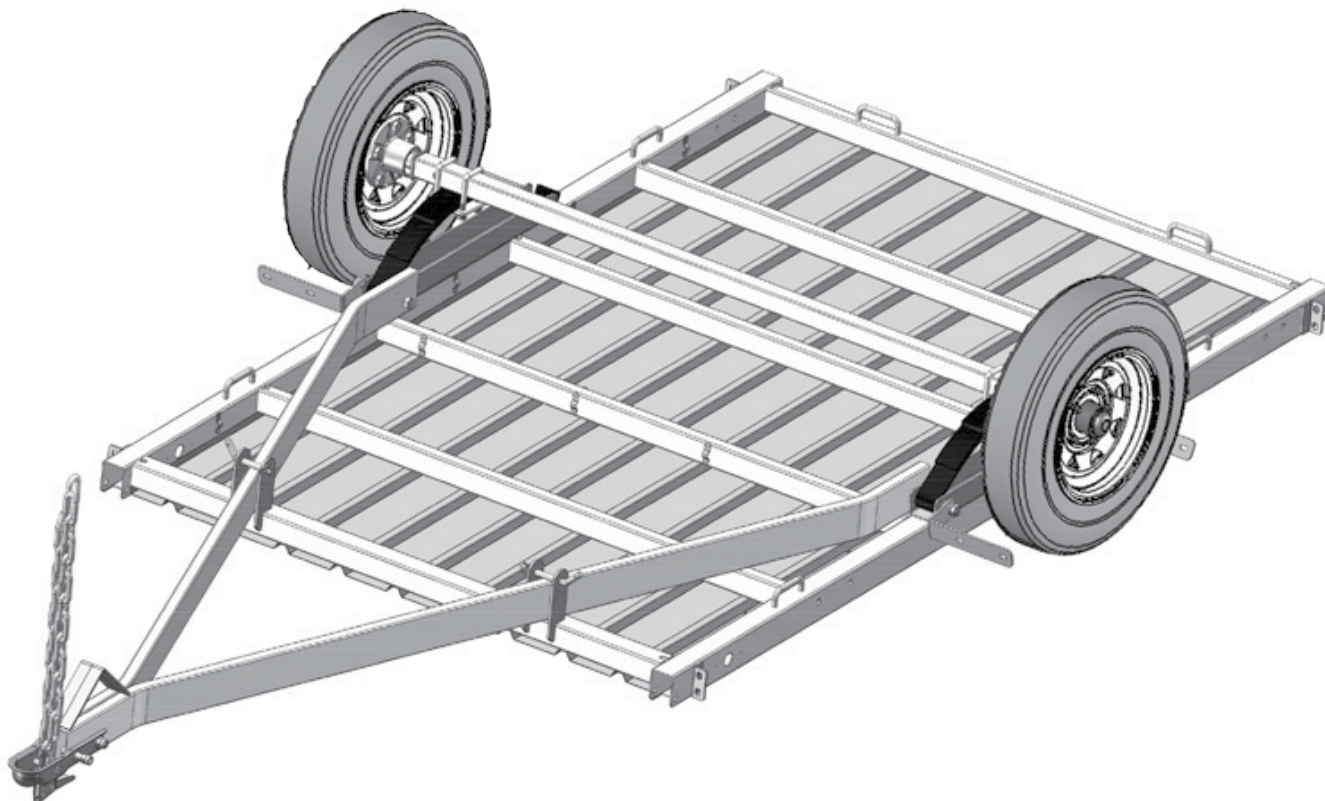
## ÉTAPE 5 : PNEUS

Installez les pneus. Vissez les dix écrous fournis pour les roues.



**CAUTION!** Les écrous de roue devront être serrés quand la remorque sera replacée sur ses roues.

**REMARQUE :** Extrémités effilées des écrous doivent faire face à l'intérieur vers la jante.

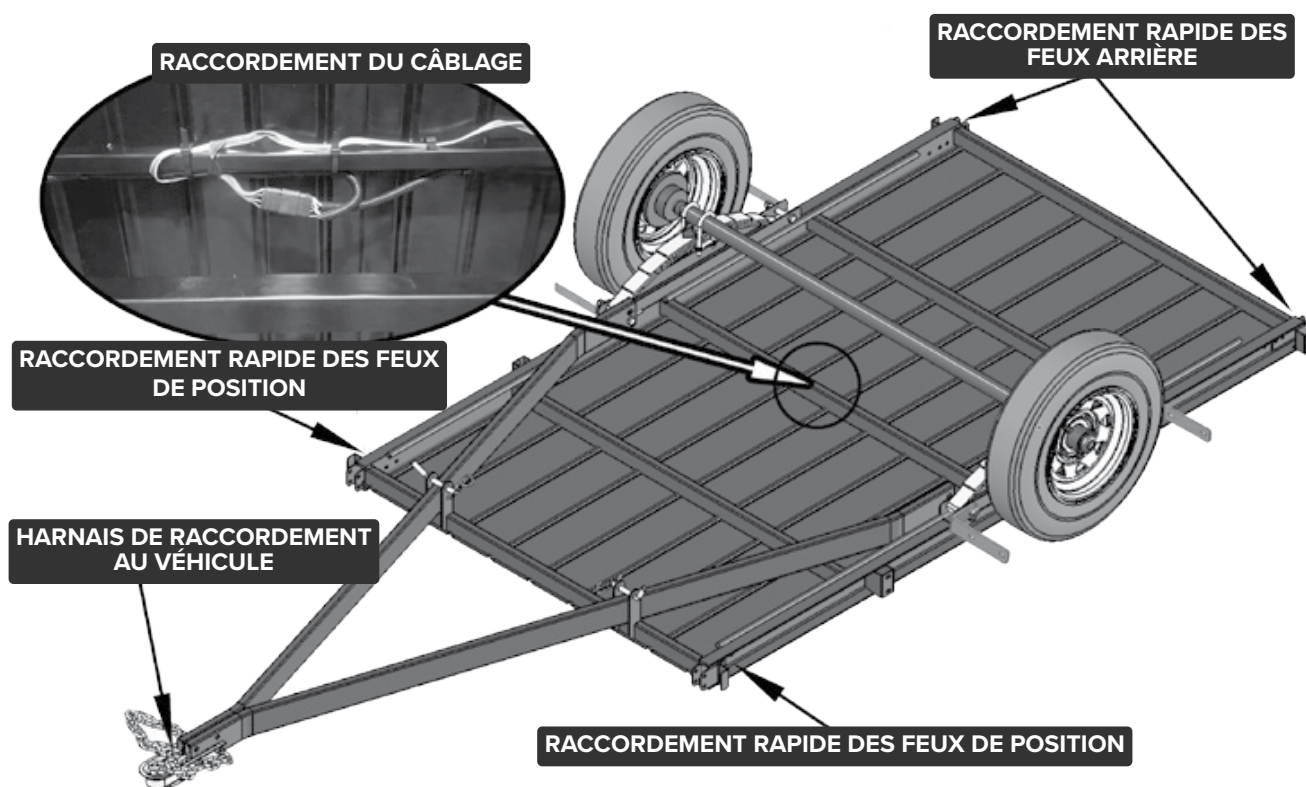


## ÉTAPE 6 : PRÉ-CÂBLAGE

Les harnais de câblage sont pré-assemblés sous le châssis. Le câblage pré-assemblé est pré-monté sur la remorque et doit être reliée au harnais qui va à l'avant de la pole de la remorque.

**REMARQUE :** Assurez-vous que toutes les connexions sont accessibles pour le montage des lumières lorsque remorque sera retourné.

Monter les ensembles de lumière sur le côté de la partie arrière du châssis en utilisant les boulons à épaulement carré M6, rondelles M6 et écrous autobloquante de type nylock M6. Branchez le connecteur de la lumière dans le harnais. Installer les feux de position latérale sur le côté avant du châssis en utilisant les vis auto-taraudeuses. Branchez le connecteur de la lumière dans le harnais.

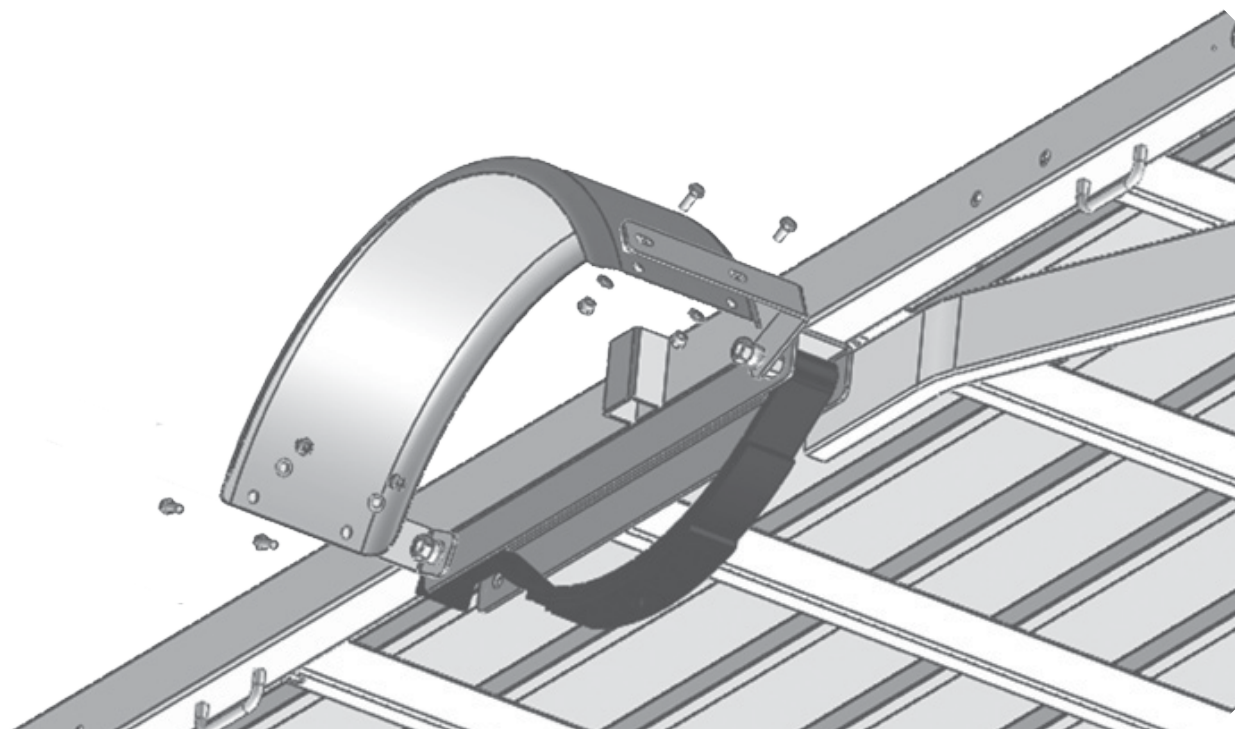


**ÉTAPE 7 : RETOURNEMENT ET GARDE-BOUE**

**⚠ AVERTISSEMENT!** Retourné la remorque vous demandera de l'aide. La remorque pèse maintenant approximativement 400 lb (181.4 kg).

Les ailes doivent maintenant être assemblées. Fixer les ailes en utilisant les écrous et boulons inclus aux supports en L et au cadre qui retient le ressort en place. Une fois l'angle des supports en L établi, serrez les 4 boulons M14 à travers les ressorts jusqu'à ce que les ressorts soient sécurisés. Ne serrez pas trop, car cela pourrait faire affaisser le cadre.

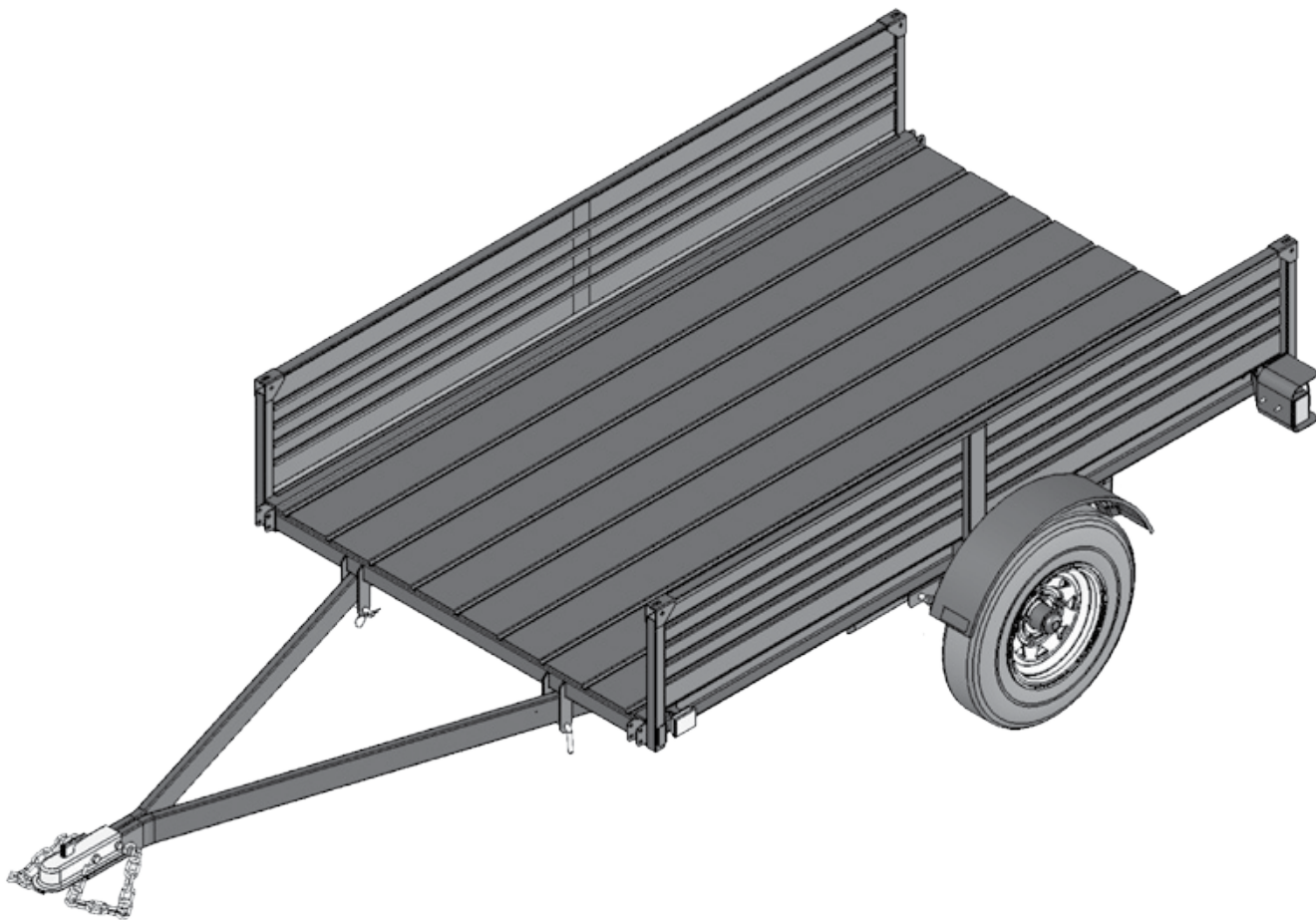
La figure présentée ci-dessous est sans l'essieu et les roues pour une meilleure compréhension.



**REMARQUE :** Le dessin ci-dessus montre la remorque vue du dessous avec l'essieu et les roues retirées pour une meilleure vue pour l'installation.

## ÉTAPE 8 : PANNEAUX LATÉREAUX

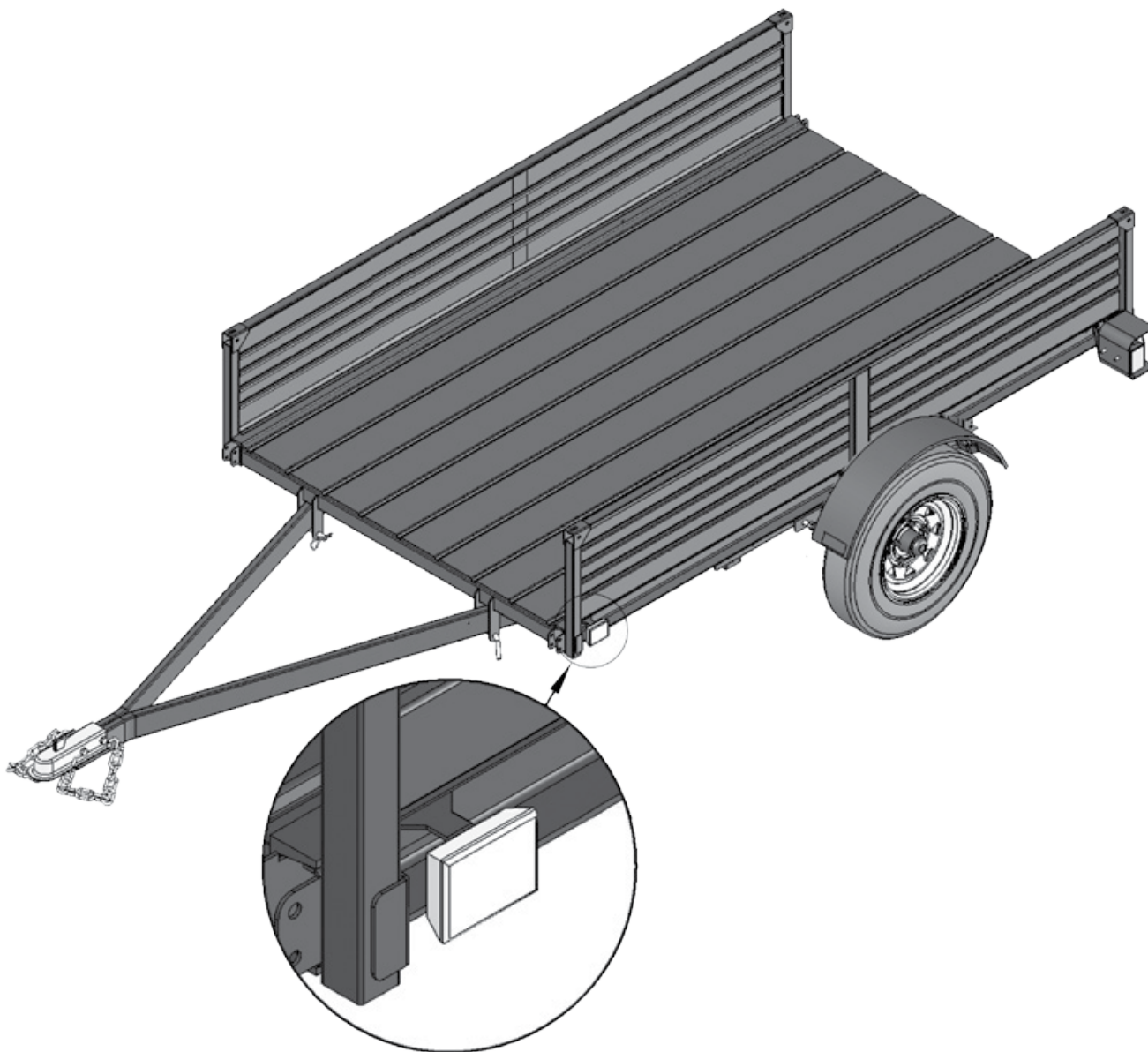
Insérez et serrez les huit (8) (4 de chaque coté), boulons de M8 x 20 mm et écrous de M8 fournis.



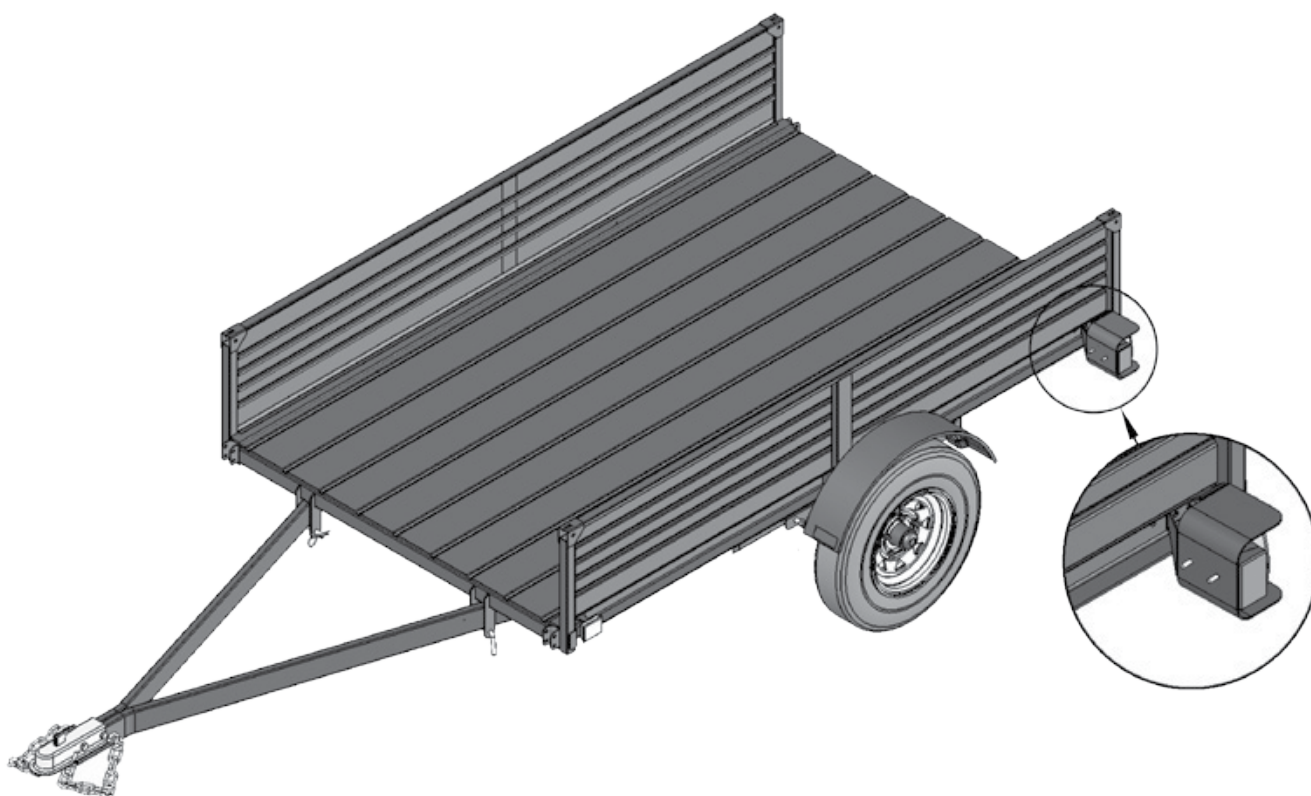
## ÉTAPE 9 : LUMIÈRES

Installation des feux et en compléter le câblage.

Monter les feux latéraux sur le côté de la partie avant du châssis en utilisant les vis auto taraudeuses. Branchez le connecteur de la lumière au harnais de câblage électrique.



**REMARQUE :** Utiliser de la graisse diélectrique sur chaque connecteur pour prévenir la corrosion.



Fixer les supports de lumière arrière et installer l'ensemble de feu. Branchez la lumière au harnais de câblage.

Le côté gauche, coté conducteur est celui avec les lentilles claires au bas pour illuminé la plaque d'immatriculation le support de plaque d'immatriculation doit être installé du côté du conducteur et en même temps que le feu.

Branchez tout le câblage nécessaire et fixer le feu sur le côté de la remorque.

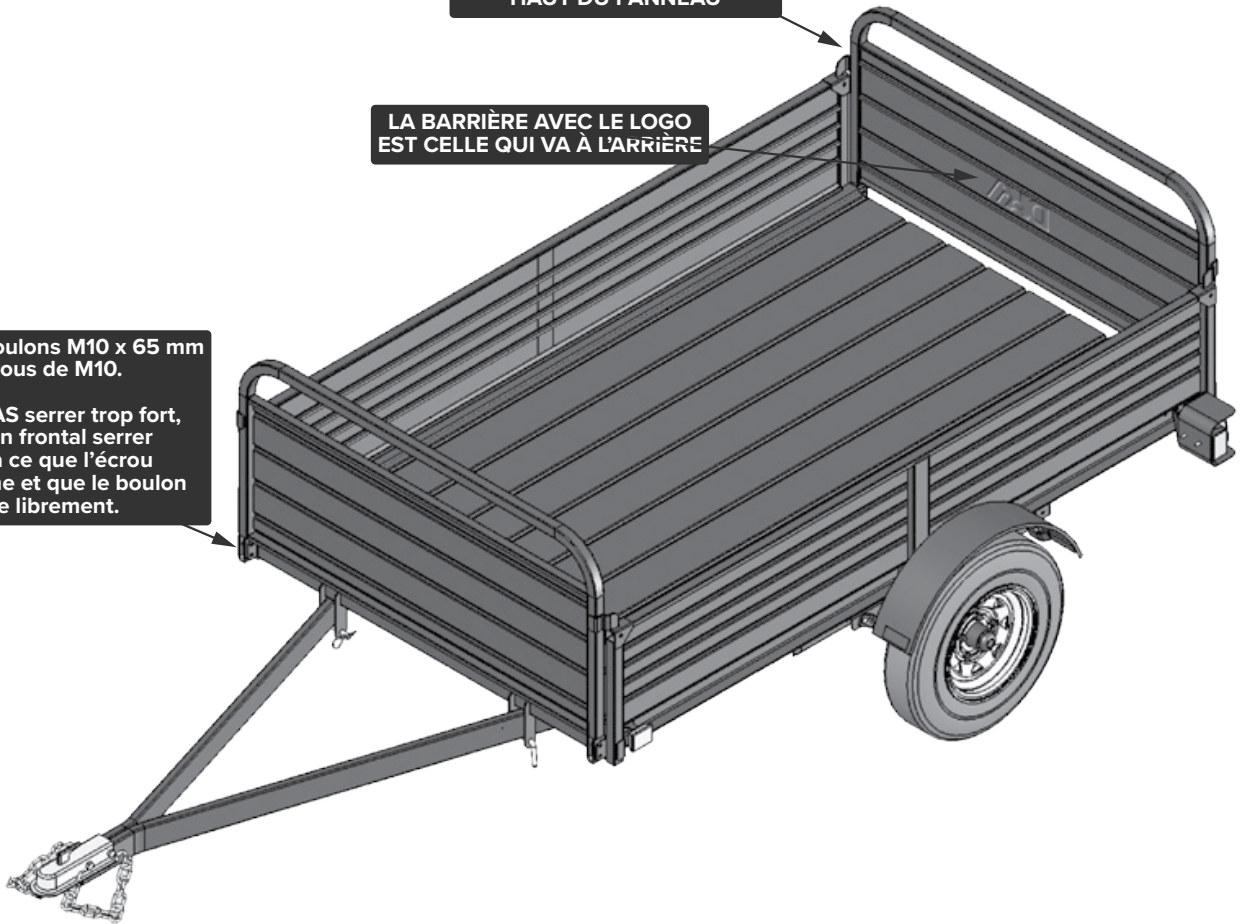
## ÉTAPE 10 : PORTES

GOUPILLES UTILISÉE DANS LE  
HAUT DU PANNEAU

LA BARRIÈRE AVEC LE LOGO  
EST CELLE QUI VA À L'ARRIÈRE

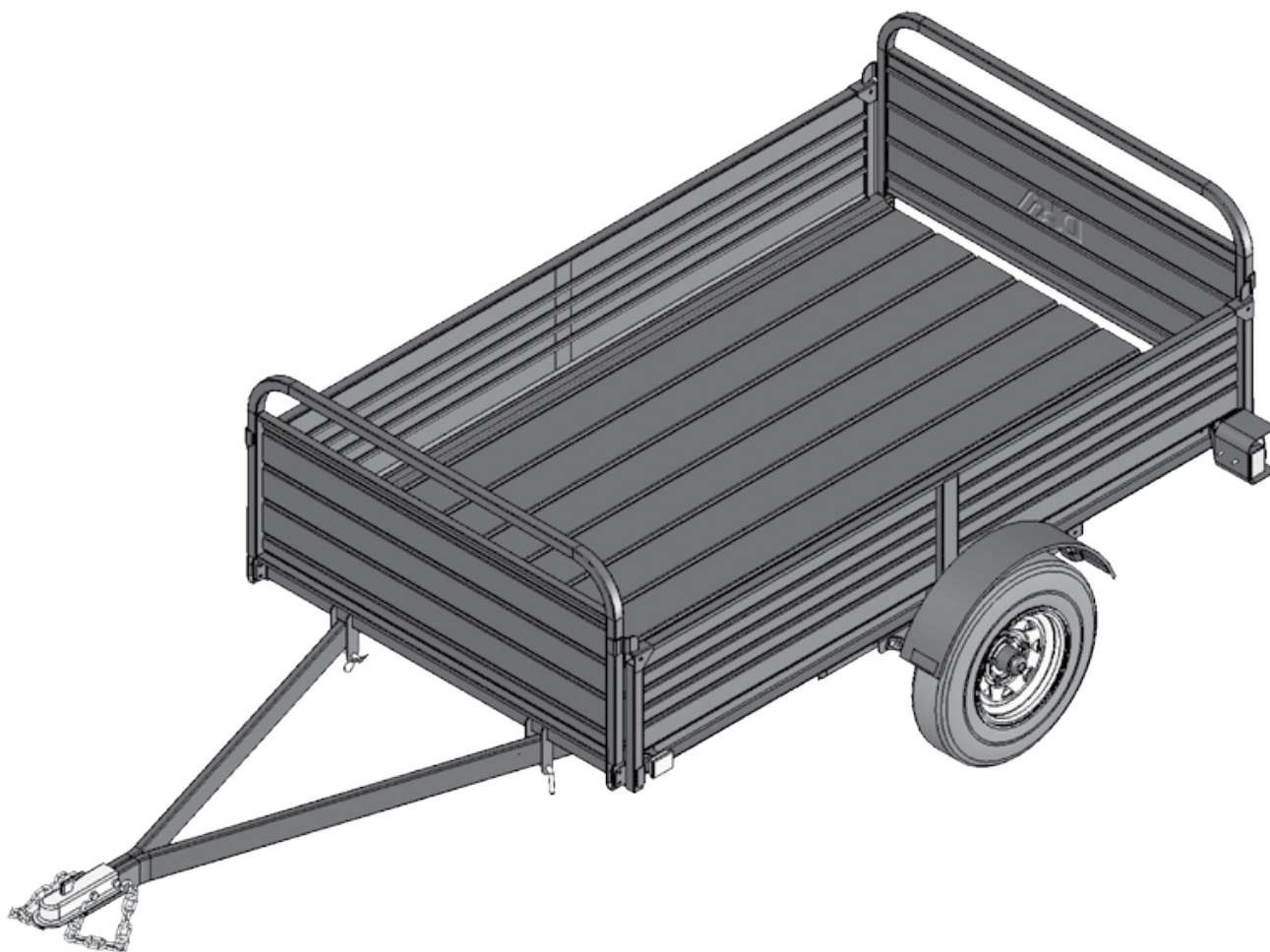
4 x boulons M10 x 65 mm  
et écrous de M10.

NE PAS serrer trop fort,  
boulon frontal serrer  
jusq'à ce que l'écrou  
prenne et que le boulon  
tourne librement.



## ÉTAPE 11 : SERRAGE ET INSPECTION DES ROUES

- AVERTISSEMENT! LES ÉCROUS DE ROUE DOIVENT ÊTRE SERRÉS À 80 LB.**
- AVERTISSEMENT!** Connectez-vous au véhicule pour confirmer que tous les feux fonctionnent correctement.
- AVERTISSEMENT!** Inspectez la remorque une fois de plus pour vous assurer que toutes les étapes ont été effectuées correctement. N'oubliez pas de revérifier tous les écrous avant utilisation pour vous assurer qu'ils sont tous correctement serrés.



- AVERTISSEMENT!** C'est de la responsabilité du propriétaire de la remorque de vérifier périodiquement que tout le matériel est sécurisé et attaché correctement.

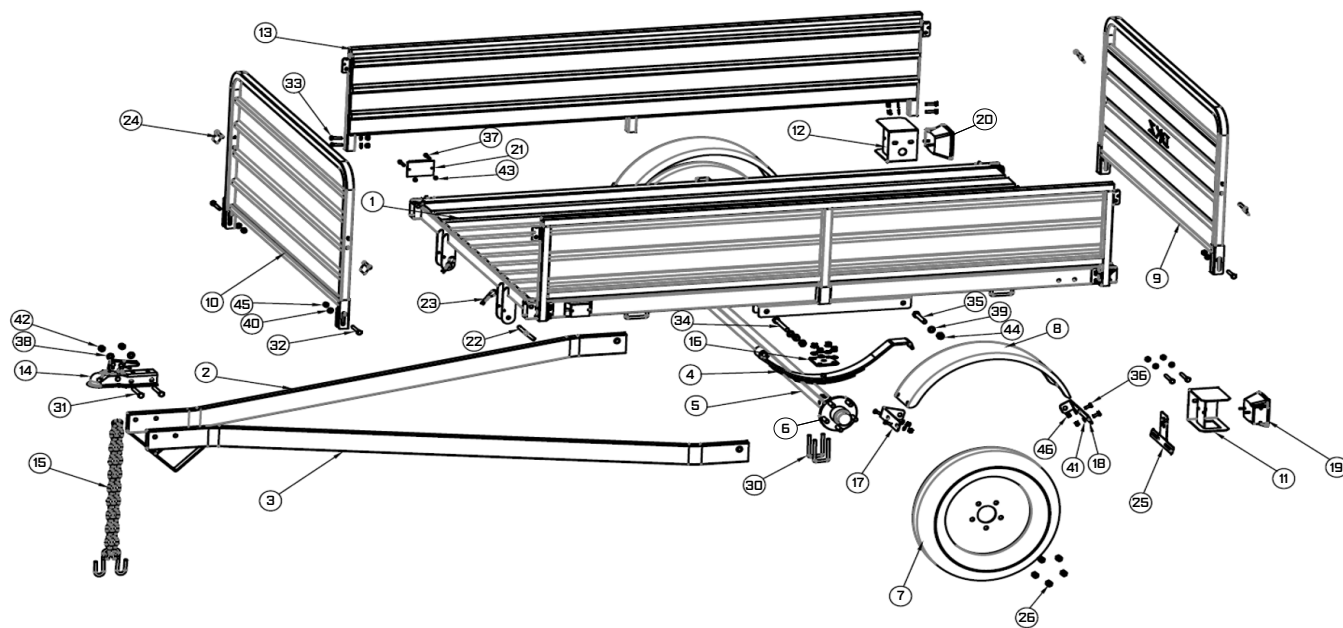
## PIÈCES ET SCHÉMAS

## LISTE DES PIÈCES

ARTICLE	DESCRIPTION	N° DE PIÈCE	QTÉ
1	CADRE	100-0162	1
2	TUBE DU TIMON DROIT	100-0163	1
3	TUBE DU TIMON GAUCHE	100-0164	1
4	RESSORT À 3 LAMES	219-0003	2
5	ASSEMBLAGE D'ESSIEU	310-0112	1
6	ASSEMBLAGE DU MOYEU	310-0078	2
7	PNEU - 5.30X12C	220-0019-WH	2
8	AILE	206-0036	2
9	RAMPE DE CHARGEMENT ARRIÈRE	350-0044	1
10	PANNEAU AVANT	100-0161	1
11	SUPPORT DE FEU ARRIÈRE GAUCHE	100-0148	1
12	SUPPORT DE FEU ARRIÈRE DROIT	100-0149	1
13	PANNEAU LATÉRAL	100-0160	2
14	COUPLEUR 2 PO (5 CM) 2X2	204-0003	1
15	CHAÎNE DE SÉCURITÉ	208-0002	1
16	PLAQUE À RESSORT	100-035	2
17	SUPPORT EN L DE GARDE-BOUE AVANT	100-0153	2
18	SUPPORT DE GARDE-BOUE ARRIÈRE EN L	100-0154	2
19	FEU ARRIÈRE GAUCHE	205-0023	1
20	FEU ARRIÈRE DROIT	205-0024	1
21	FEU DE MARQUAGE AMBRE	205-0069	2

ARTICLE	DESCRIPTION	N° DE PIÈCE	QTÉ
22	GOUPILLE EN L	207-0028	2
23	GOUPILLE EN R	207-0012	2
24	GOUPILLE EN D	207-0012	10
25	SUPPORT DE PLAQUE D'IMMATRICULATION	207-0011	1
26	ÉCROUS DE ROUE	210-0012	10
27	HARNAIS DE FILS AVANT DU TIMON	205-0070	1
28	FAISCEAU DE CÂBLES CÔTÉ GAUCHE DU CADRE	205-0073	1
29	FAISCEAU DE CÂBLES DU CADRE DROIT	205-0078	1
30	BOULON EN U M10 X 95 X 38	210-0154	4
31	BOULON HEXAGONAL M12 X 80	210-0043	2
32	BOULON HEXAGONAL M10 X 70	210-0029	8
33	BOULON HEXAGONAL M10 X 50	210-0019	8
34	BOULON HEXAGONAL M14 X 120	210-0092	2
35	BOULON HEXAGONAL M14 X 85	210-0018	2
36	BOULON HEXAGONAL M8 X 20	210-0070	8
37	BOULON CRUCIFORME M4 X 65	210-0153	4
38	RONDELLE M12	210-0004	2
39	RONDELLE M14	210-0063	4
40	RONDELLE M10	210-0002	24
41	RONDELLE M8	210-0007	8
42	ÉCROU NYLOCK M12	210-0015	10
43	ÉCROU NYLOCK M4	210-0108	6
44	ÉCROU NYLOCK M14	210-0064	6
45	ÉCROU NYLOCK M10	210-0003	24
46	ÉCROU NYLOCK M8	210-0008	8
47	RAMPE DE CHARGEMENT ARRIÈRE - MODÈLES DUG	350-0044	1

## SCHÉMAS

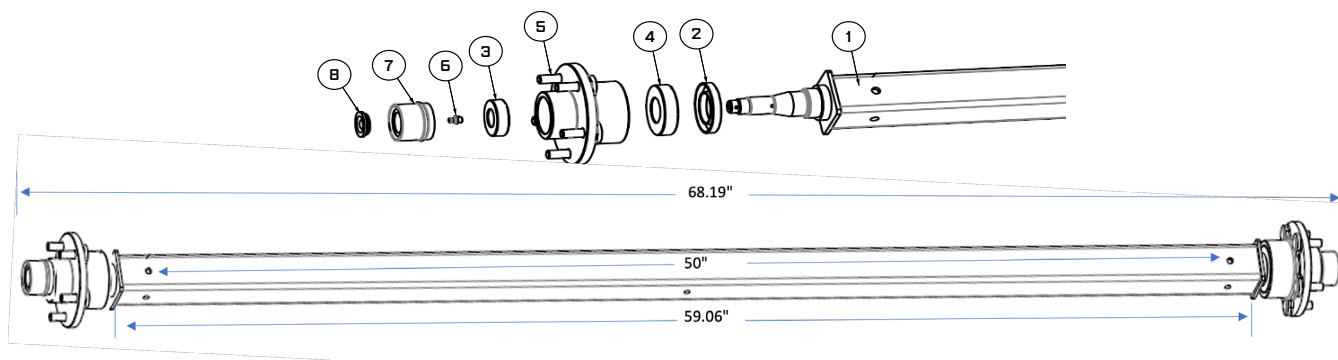


## PIÈCES ET SCHÉMAS ASSEMBLAGE DE L'ESSIEU

### LISTE DES PIÈCES : ASSEMBLAGE DE L'ESSIEU

ARTICLE	DESCRIPTION	N° DE PIÈCE	QTÉ
1	SOUDURE D'ESSIEU	300-0075	1
2	JOINT (25 X 52 X 15)	217-0019	2
3	ROULEMENT (30205)	202-0004	4
5	ASSEMBLAGE DU MOYEU	310-0078	2
6	RACCORD DE GRAISSAGE	229-0083	2
7	CAPUCHON ANTI-POUSSIÈRE AVEC TROU	229-0067	2
8	CAPUCHON ANTI-POUSSIÈRE EN CAOUTCHOUC	229-0105	2

### SCHÉMAS : ASSEMBLAGE DE L'ESSIEU



**DK<sup>®</sup>**  
**BY MARLON<sup>®</sup>**