

CRAFTSMAN®

Operator's Manual

Snow Thrower

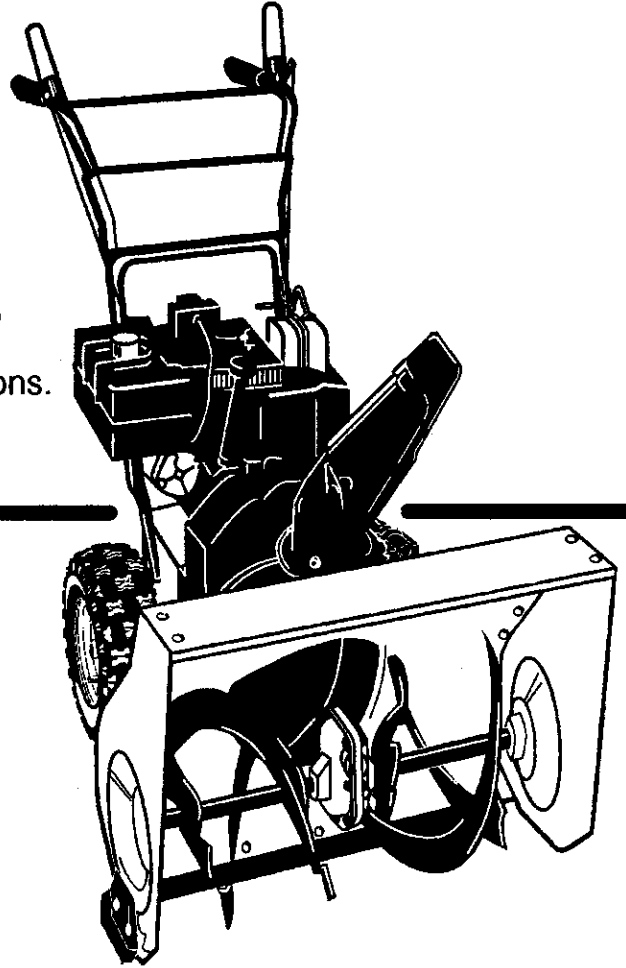
9.5 Horsepower

Electric Start

29" Dual Stage

Model 536.881951

CAUTION: Before using this product, read this manual and follow all of its Safety Rules and Operating Instructions.



Manual del usuario

Quitanieves

9.5 caballos de fuerza (hp)

Arranque eléctrico

29" Bietápico

Modelo 536.881951

PRECAUCIÓN: Antes de usar este producto, lea este manual y siga todas las reglas de seguridad e instrucciones de operación.

Sears, Roebuck and Co., Hoffman Estates, IL 60179 U.S.A.

198511 Rev. 2 07.27.05 BY

www.sears.com/craftsman

Printed in U.S.A.

TABLE OF CONTENTS

WARRANTY STATEMENT	2	STORAGE	28
SAFETY RULES	2	TROUBLESHOOTING TABLE ...	29
INTERNATIONAL SYMBOLS	4	REPAIR PARTS	33
ASSEMBLY	6	ENGINE REPAIR PARTS	51
OPERATION	10	SPANISH (ESPAÑOL)	56
MAINTENANCE	16	PARTS ORDERING/SERVICE ..	
SERVICE AND ADJUSTMENT ..	18	BACK COVER	

WARRANTY STATEMENT

LIMITED TWO-YEAR WARRANTY ON CRAFTSMAN SNOW THROWER

For two years from the date of purchase, when this Craftsman Snow thrower is maintained, lubricated, and tuned up according to the operating and maintenance instructions in the owner's manual, Sears will repair, free of charge, any defect in material or workmanship.

If this Craftsman Snow thrower is used for commercial or rental purposes, this warranty applies for only 90 days from the date of purchase.

This warranty does not cover the following:

- Items which become worn during normal use, such as spark plugs, drive belts and shear pins.
- Repair necessary because of operator abuse or negligence, including bent crankshafts and the failure to maintain the equipment according to the instructions contained in the owner's manual.

WARRANTY SERVICE IS AVAILABLE BY RETURNING THE CRAFTSMAN SNOW THROWER TO THE NEAREST SEARS SERVICE CENTER IN THE UNITED STATES. THIS WARRANTY APPLIES ONLY WHILE THIS PRODUCT IS IN USE IN THE UNITED STATES.

This warranty gives you specific legal rights, and you may also have other rights which may vary from state to state.

Sears, Roebuck and Co., D817WA, Hoffman Estates. IL 60179

SAFETY RULES



LOOK FOR THIS SYMBOL TO POINT OUT IMPORTANT SAFETY PRECAUTIONS. IT MEANS-- ATTENTION!!! BECOME ALERT!!! YOUR SAFETY IS INVOLVED.



WARNING:



Engine Exhaust, some of its constituents, and certain vehicle components contain or emit chemicals known to the State of California to cause cancer and birth defects or other reproductive harm.

Battery posts, terminals and related accessories contain lead and lead compounds, chemicals known to the State of California to cause cancer and birth defects or other reproductive harm. WASH HANDS AFTER HANDLING.



WARNING: Always disconnect the spark plug wire and place it where it cannot make contact with spark plug to prevent accidental starting during: Preparation, Maintenance, or Storage of your snow thrower.

IMPORTANT: Safety standards require operator presence controls to minimize the risk of injury. Your snow thrower is equipped with such controls. Do not attempt to defeat the function of the operator presence control under any circumstances.

TRAINING

1. Read this operating and service instruction manual carefully. Be thoroughly familiar with the controls and the proper use of the snow thrower. Know how to stop the snow thrower and disengage the controls quickly.
2. Never allow children to operate the snow thrower. Never allow adults to operate the snow thrower without proper instruction.
3. Keep the area of operation clear of all persons, particularly small children and pets.
4. Exercise caution to avoid slipping or falling especially when operating in reverse.

PREPARATION

1. Thoroughly inspect the area where the snow thrower is to be used and remove all doormats, sleds, boards, wires, and other foreign objects.
2. Disengage all clutches before starting the engine (motor).
3. Do not operate the snow thrower without wearing adequate winter outer garments. Wear footwear that will improve footing on slippery surfaces.
4. Handle fuel with care; it is highly flammable.
 - a. Use an approved fuel container.
 - b. Never remove fuel tank cap or add fuel to a running engine (motor) or hot engine (motor).
 - c. Fill fuel tank outdoors with extreme care. Never fill fuel tank indoors.
 - d. Replace fuel cap securely and wipe up spilled fuel.
 - e. Never store fuel or snow thrower with fuel in the tank inside of a building where fumes may reach an open flame or spark.
 - f. Check fuel supply before each use, allowing space for expansion as the heat of the engine (motor) and/or sun can cause fuel to expand.
5. For all snow throwers with electric starting motors use electric starting extension cords certified CSA/UL. Use only with a receptacle that has been installed in accordance with local inspection authorities.
6. Never attempt to make any adjustments while the engine (motor) is running (except when specifically recommended by manufacturer).
7. Let engine (motor) and snow thrower adjust to outdoor temperatures before starting to clear snow.

8. Always wear safety glasses or eye shields during operation or while performing an adjustment or repair to protect eyes from foreign objects that may be thrown from the snow thrower.

OPERATION

1. Do not operate this snow thrower if you are taking drugs or other medication which can cause drowsiness or affect your ability to operate this snow thrower.
2. Do not use the snow thrower if you are mentally or physically unable to operate the snow thrower safely.
3. Do not put hands or feet near or under rotating parts. Keep clear of the discharge opening at all times.
4. Exercise extreme caution when operating on or crossing gravel drives, walks or roads. Stay alert for hidden hazards or traffic.
5. After striking a foreign object, stop the engine (motor), remove the wire from the spark plug, thoroughly inspect snow thrower for any damage, and repair the damage before restarting and operating the snow thrower.
6. If the snow thrower should start to vibrate abnormally, stop the engine (motor) and check immediately for the cause. Vibration is generally a warning of trouble.
7. Stop the engine (motor) whenever you leave the operating position, before unclogging the auger/impeller housing or discharge chute and when making any repairs, adjustments, or inspections.
8. When cleaning, repairing, or inspecting, make certain the auger/impeller and all moving parts have stopped and all controls are disengaged. Disconnect the spark plug wire and keep the wire away from the spark plug to prevent accidental starting.
9. Take all possible precautions when leaving the snow thrower unattended. Disengage the auger/ impeller, stop engine (motor), and remove key.
10. Do not run the engine (motor) indoors, except when starting the engine (motor) and for transporting the snow thrower in or out of the building. Open the outside doors; exhaust fumes are dangerous (containing CARBON MONOXIDE, an ODORLESS and DEADLY GAS).
11. Do not clear snow across the face of slopes. Exercise extreme caution when changing direction on slopes. Do not attempt to clear steep slopes.
12. Never operate the snow thrower without proper guards, plates or other safety protective devices in place.

13. Never operate the snow thrower near enclosures, automobiles, window wells, drop-offs, and the like without proper adjustment of the snow discharge angle. Keep children and pets away.
14. Do not overload the snow thrower capacity by attempting to clear snow at too fast a rate.
15. Never operate the snow thrower at high transport speeds on slippery surfaces. Look behind and use care when backing up.
16. Never direct discharge at bystanders or allow anyone in front of the snow thrower.
17. Disengage power to the collector/impeller when snow thrower is transported or not in use.
18. Use only attachments and accessories approved by the manufacturer of the snow thrower (such as tire chains, electric start kits, ect.).
19. Never operate the snow thrower without good visibility or light. Always be sure of your footing and keep a firm hold on the handles. Walk; never run.
20. Do not over-reach. Keep proper footing and balance at all times.
21. Do not attempt to use snow thrower on a roof.

MAINTENANCE AND STORAGE

1. Check shear bolts and other bolts at frequent intervals for proper tightness to be sure the snow thrower is in safe working condition.
2. Never store the snow thrower with fuel in the tank inside a building where ignition sources are present such as hot water and space heaters, clothes dryers, and the like. Allow the engine (motor) to cool before storing in any enclosure.
3. Always refer to operator's guide instructions for important details if the snow thrower is to be stored for an extended period.
4. Maintain or replace safety and instruction labels, as necessary.
5. Run the snow thrower a few minutes after throwing snow to prevent freeze-up of the auger/impeller.



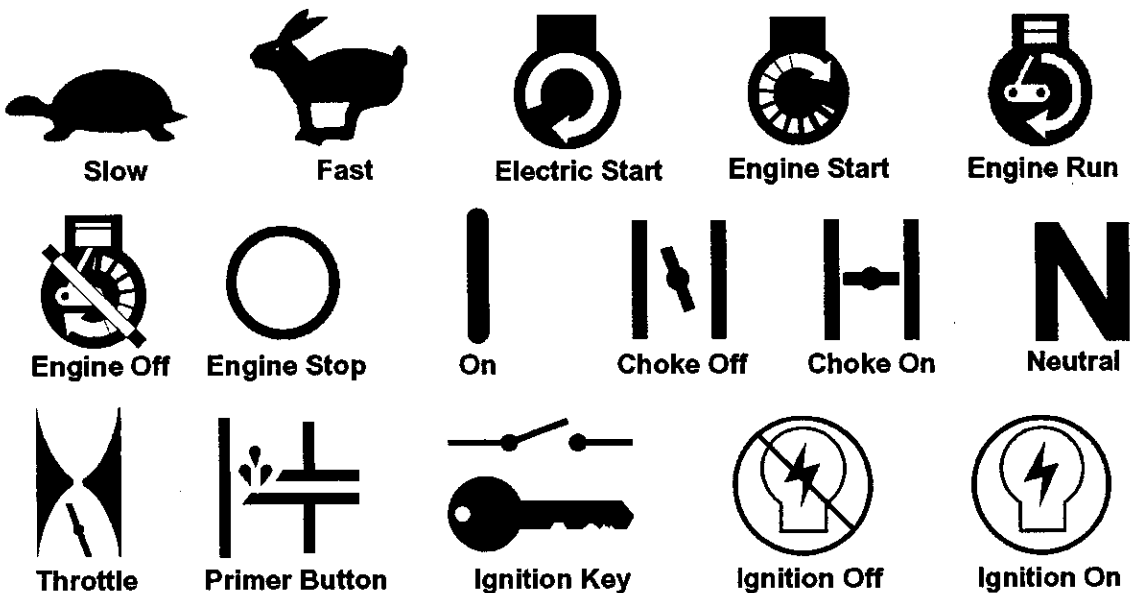
WARNING: This snow thrower is for use on sidewalks, driveways and other ground level surfaces.

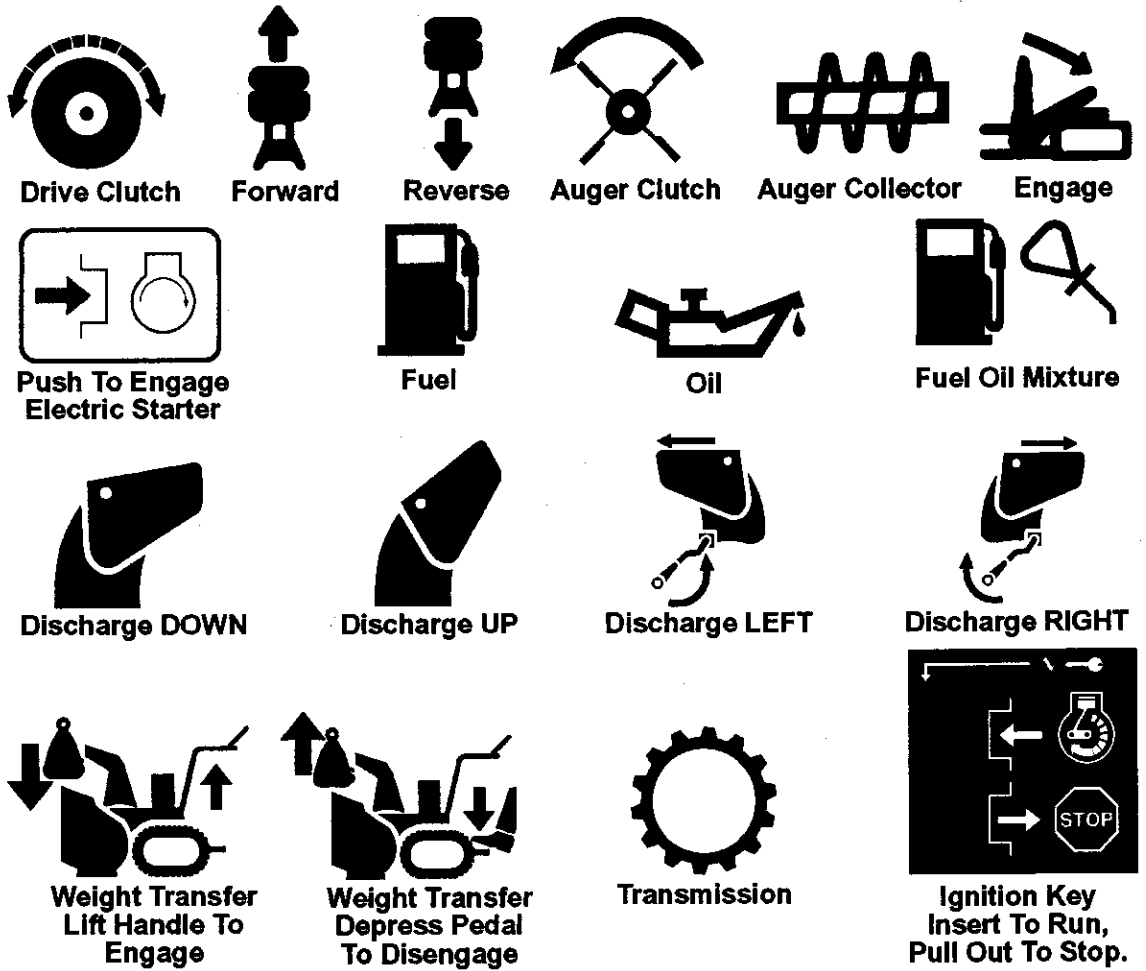
Caution should be exercised while using on steep sloping surfaces. DO NOT USE SNOW THROWER ON SURFACES ABOVE GROUND LEVEL such as roofs of residences, garages, porches or other such structures or buildings.

SYMBOLS

IMPORTANT: Many of the following symbols are located on your snow thrower or on literature supplied with the product. Before you operate the snow thrower, learn and understand the purpose for each symbol.

CONTROL AND OPERATING SYMBOLS





Safety Warning Symbols

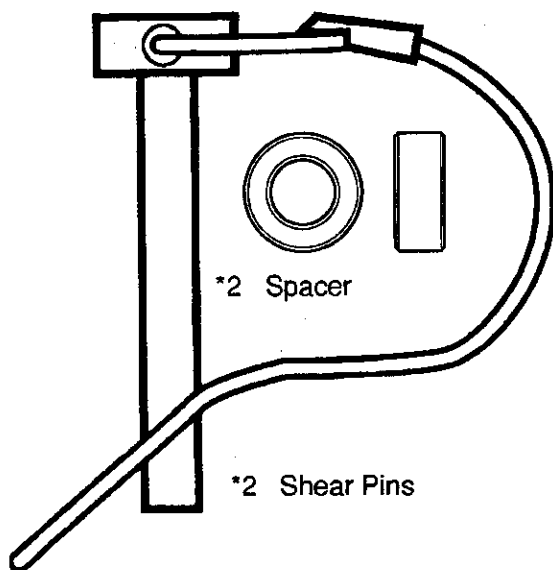


ASSEMBLY

CONTENTS OF PARTS BAG (ACTUAL SIZE)

- 1 - Owner's Manual (not shown)
- 1 - Packet of Fuel Stabilizer (not shown)
- 1 - Warranty Card (not shown)

*Non-Assembly Parts, found in toolbox located on belt cover



PARTS PACKED SEPERATELY IN CARTON (NOT SHOWN FULL SIZE)



2- Ignition Keys
(attached to engine in plastic bag)



WARNING: Always wear safety glasses or eye shields while assembling snow thrower.

TOOLS REQUIRED FOR ASSEMBLY

- 1 - Knife to cut carton
- 2 - 1/2 inch wrenches
(or adjustable wrenches)
- 2 - 9/16 inch wrenches
(or adjustable wrenches)
- 2 - 3/4 inch wrenches
(or adjustable wrenches)
- 1 - Pliers (to spread cotter pin)
- 1 - Screwdriver
- 1 - Measuring tape or ruler

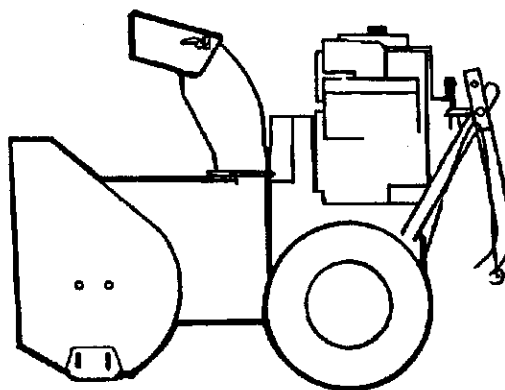


Figure 1

Figure 1 shows the snow thrower in the shipping position.

Figure 2 shows the snow thrower completely assembled.

References to the right or left hand side of the snow thrower are from the viewpoint of the operator's position behind the unit.

ASSEMBLY

TO REMOVE SNOW THROWER FROM CARTON

1. Locate all parts packed separately and remove from the carton.
NOTE: Place fuel stabilizer in a safe place until needed for storage.
2. Remove and discard the packing material from around the snow thrower.
3. Cut down all four corners of the carton and lay the panels flat.
4. Cut the straps that secure the axle to the pallet.
5. For shipping purposes, the **height adjust skids** are attached to the pallet. Remove the **screw** that secures each **height adjust skid** to the pallet. See Figure 2.
6. Roll snow thrower off the pallet by pulling on the lower handle. **CAUTION: DO NOT** back over control cables.
7. Remove all packing material from the unit.
8. Cut ties securing the clutch control cable to the lower handle and lay

cable back away from the motor frame.

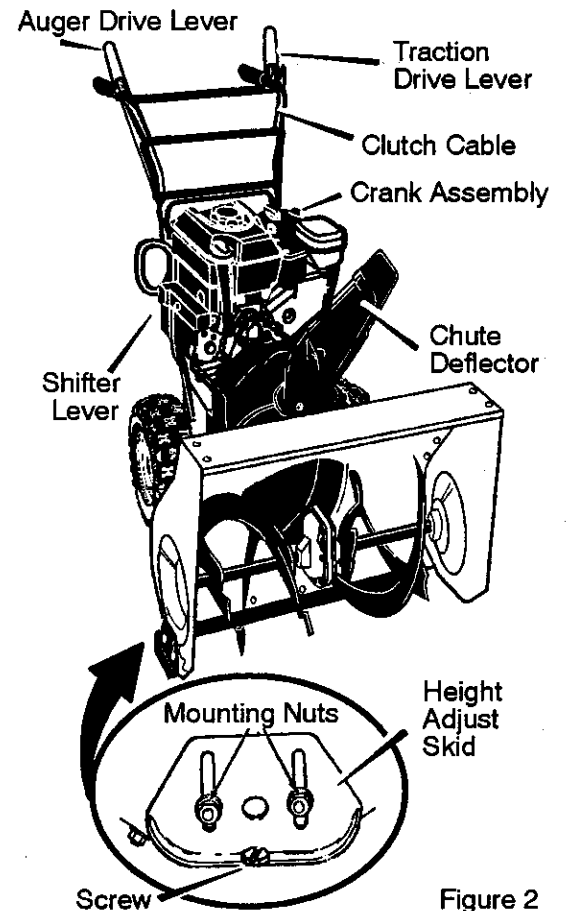


Figure 2

TO ASSEMBLE THE HANDLE AND CRANK ASSEMBLY

1. Cut tie holding shift rod to lower handle and move shifter to the first forward gear.
 2. Cut and discard the plastic tie that secures the crank assembly.
 3. Loosen, but do not remove, the screws, flatwashers, lockwashers, and hex nuts in the upper holes of the lower handle. See Figure 3.
 4. Remove the fasteners and the eyebolt from the lower holes of the lower handle See Figure 5.
- NOTE:** Make sure the cables are not caught between the upper and lower handle.
5. Raise the upper handle into operating position.

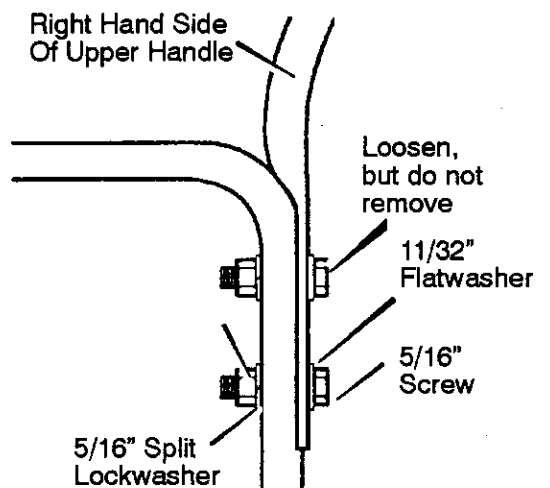


Figure 3

ASSEMBLY

NOTE: If the cables have become disconnected from the drive levers, reinstall the cables as shown in Figure 4.

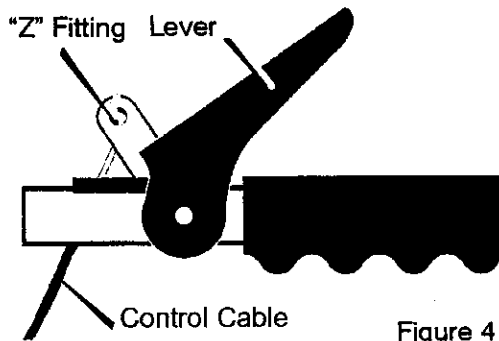


Figure 4

6. Install the fasteners that were removed in step 4. **DO NOT** tighten until all bolts are in place.

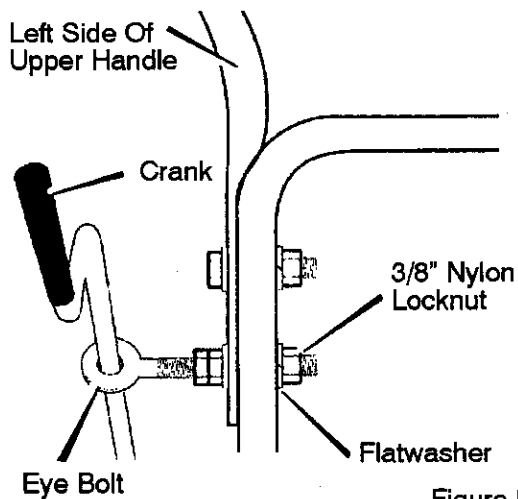
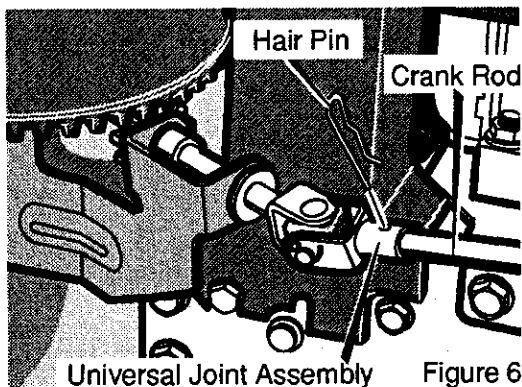


Figure 5

7. Attach the crank rod to the universal joint assembly with the hair pin. See Figure 6.
8. Tighten nut on **eye bolt**. Make sure **eye bolt** is properly aligned and the **crank** can freely rotate.
9. Tighten all handle and panel bolts.



Universal Joint Assembly Figure 6

NOTE: If the cables have become disconnected, connect cables as shown in Figure 7.

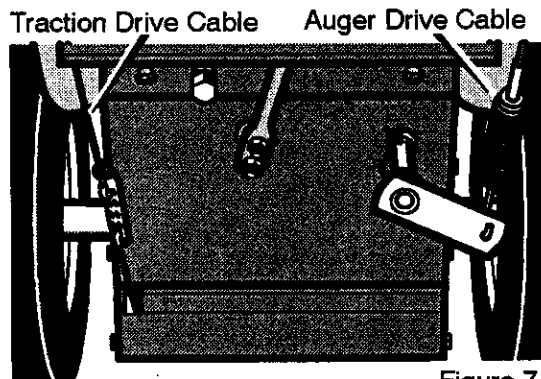


Figure 7

HOW TO ASSEMBLE THE CHUTE DEFLECTOR

1. Remove the **carriage bolt**. See Figure 8.
2. Raise the **chute deflector** into **operating position**.
3. Fasten **chute deflector** to **flange** with **carriage bolt**. Make sure to install with head of **carriage bolt** on the inside of the **flange**.
4. Fasten with **washer** and **locknut**.
5. Tighten **locknut** securely.

NOTE: Make sure all carriage bolts in flange are tight. DO NOT OVERTIGHTEN.

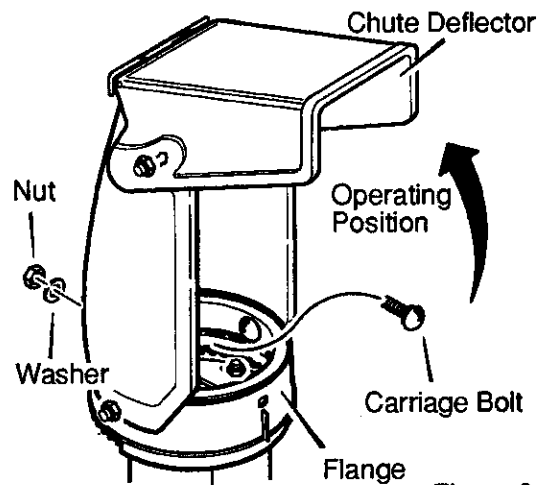


Figure 8

ASSEMBLY

HOW TO SET THE SKID HEIGHT

Your snow thrower is equipped with height adjust skids on the outside of the auger housing. To adjust the skid

height for different conditions, see **To Adjust Skid Height** paragraph in the **Service And Adjustment** section.

HOW TO SET THE LENGTH OF THE CABLES

The cables were adjusted at the factory and no adjustments should be necessary. However, after the handles are put in the operating position, the cables can

be too tight or too loose. If an adjustment is necessary, see "How To Check And Adjust The Cables" in the **Service And Adjustment** section.

✓ CHECKLIST

Before you operate your new snow thrower, to ensure that you receive the best performance and satisfaction from this quality product, please review the following checklist:

- ✓ All assembly instructions have been completed.
- ✓ The discharge chute rotates freely.
- ✓ No remaining loose parts in carton.
- ✓ Check the fasteners. Make sure all fasteners are tight.
- ✓ On electric start models, the unit was shipped with the starter cord plugged into the engine. Before operating, unplug the starter cord from the engine.

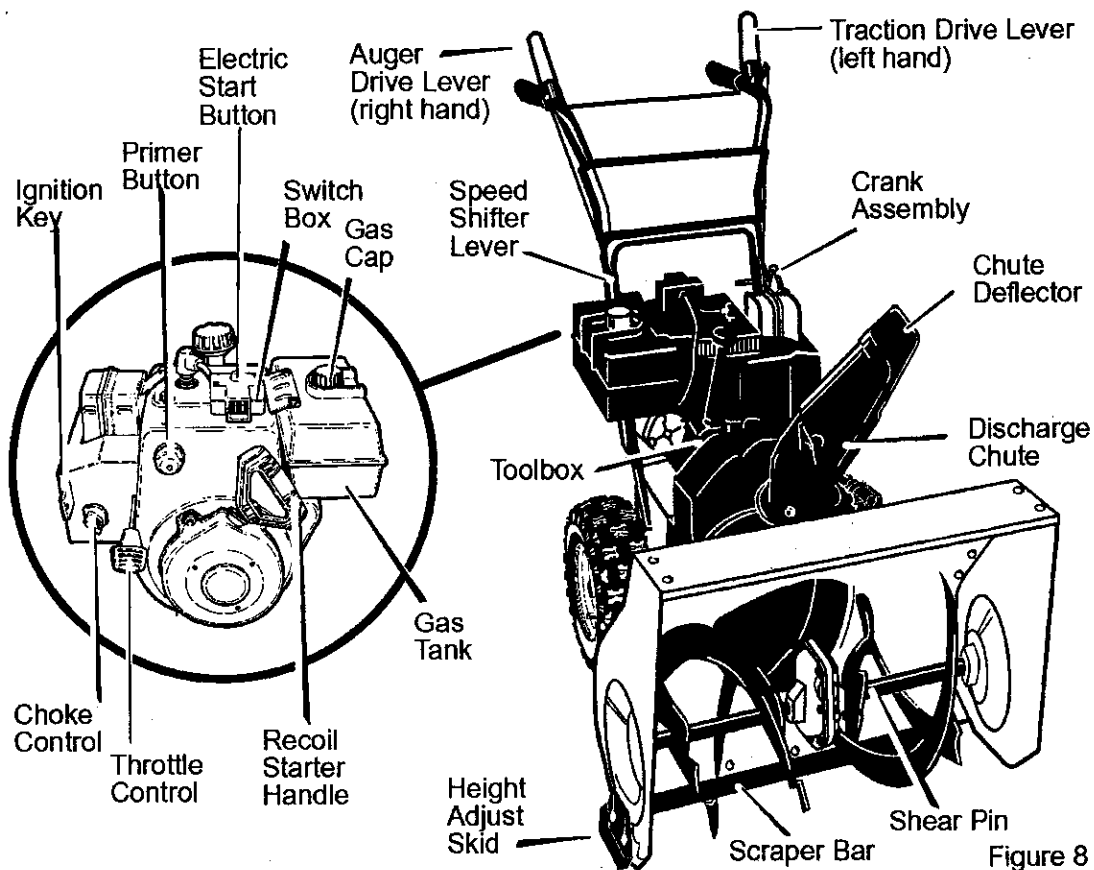
While learning how to use your snow thrower, pay extra attention to the following important items:

- ✓ Engine oil is at proper level.
- ✓ Make sure gas tank is filled properly with clean, fresh, unleaded gasoline.
- ✓ Become familiar with all controls—their location and function. Operate controls before starting engine.

OPERATION

KNOW YOUR SNOW THROWER

READ THIS OWNER'S MANUAL AND SAFETY RULES BEFORE OPERATING YOUR SNOW THROWER. Compare the illustrations with your SNOW THROWER to familiarize yourself with the location of various controls and adjustments. Save this manual for future reference.



Auger Drive Lever - Starts and stops the auger and impeller (**snow gathering and throwing**)

Traction Drive Lever - Propels the snow thrower forward and in reverse.

Speed Shifter Lever - Selects the speed of the snow thrower (6 speeds forward and 2 speeds reverse).

Crank Assembly - Changes the direction of snow throwing through the discharge chute.

Chute Deflector - Changes the distance the snow is thrown.

Discharge Chute - Changes the height and direction the snow is thrown.

Height Adjust Skid - Adjusts the ground clearance of the auger housing.

Ignition Key - Must be inserted to start the engine.

Recoil Starter Handle - Starts the engine manually.

Choke Control - Used to start a cold engine.

Primer Button - Injects fuel directly into the carburetor manifold for fast starts in cold weather.

Throttle Control - Controls the engine speed.

Electric Start Button - (if so equipped) Used to start the engine using the 120 V electric starter.

Shear Pin - Shear pins are designed to break (to protect the machine) if an object becomes lodged in the auger housing.

Toolbox - Spare shear pins and spacers are located in toolbox.

OPERATION

The operation of any snow thrower can result in foreign objects being thrown into the eyes, which can result in severe eye damage. Always wear safety glasses or eye shields while operating the snow thrower.

We recommend standard safety glasses or a wide vision safety mask for over your glasses.



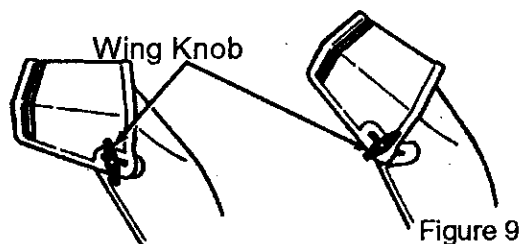
WARNING: Read Owner's Manual before operating machine. Never direct discharge toward bystanders. Stop the engine before unclogging discharge chute or auger housing and before leaving the machine.

TO STOP YOUR SNOW THROWER

1. To stop throwing snow, release the **auger drive lever**.
2. To stop the wheels, release the **traction drive lever**.
3. To stop the engine, push the **throttle control lever** to off and pull out the **ignition key**.

TO CONTROL SNOW DISCHARGE

1. Turn the chute control rod to set the direction of the snow throwing.
2. Loosen the **wing knob** on the chute deflector and move the deflector to set the distance. Move the deflector (**Up**) for more distance, (**Down**) for less distance. Then tighten the **wing knob** (See Figure 9).



HOW TO MOVE FORWARD AND BACKWARD

1. To shift, release the traction drive lever (**left hand**) and move the speed shifter lever to the speed you desire. Ground speed is determined by snow conditions. Select

the speed you desire by moving the speed shifter lever left into the appropriate notches on the shift lever plate:

Speeds 1,2 - Wet, Heavy

Speed 3 - Light

Speed 4 - Very Light

Speed 5,6 - Transport only

2. Engage the traction drive lever (**left hand**). As the snow thrower starts to move, maintain a firm hold on the handles, and guide the snow thrower along the clearing path. Do not attempt to push the snow thrower.
3. To move the snow thrower backward, move the speed shifter lever right into first or second reverse and engage the traction drive lever (**left hand**).

IMPORTANT: Do not move the speed shifter lever while the traction lever is down.

TO THROW SNOW

1. Push down the auger driver lever (**right hand**).
2. Release to stop throwing snow.

TO USE WHEEL LOCKOUT PIN

1. The right hand wheel is secured to the axle with a **klick pin**. This unit was shipped with this klick pin in the **locked position (through wheel hole)**. See Figure 10.

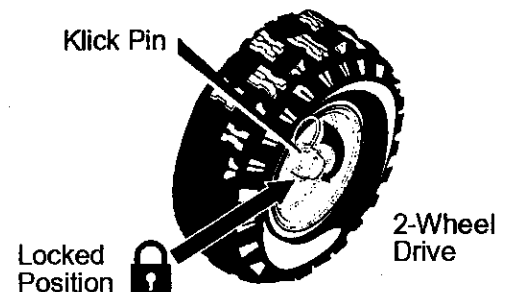


Figure 10

OPERATION

2. For ease of maneuverability in light snow conditions, disconnect the **klick pin** from the wheel **locked position** and push into the single wheel drive position (**unlocked axle hole only**). See Figure 11.

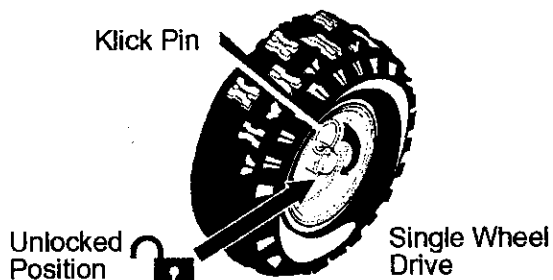


Figure 11

NOTE: Make sure that the klick pin is in the single wheel drive position of the axle only and not through the locked position.

BEFORE STARTING THE ENGINE

1. Before you service or start the engine, familiarize yourself with the snow thrower. Be sure you understand the function and location of all controls.
2. Check the tension of clutch cable before starting the engine. See **To Adjust The Control Cable** paragraph in the **Service & Adjustments** section of this manual.
3. Be sure that all fasteners are tight.
4. Make sure the height adjust skids are properly adjusted. See **To Adjust Skid Height** paragraph in the **Service & Adjustments** section of this manual.
5. Check tire pressure (**14-17 pounds**). Do not exceed maximum amount of pressure.

CHECK THE OIL:

NOTE: The engine was shipped from the factory filled with oil. Check the level of the oil. Add oil as needed.

To Add Oil

1. Make sure the unit is level.

NOTE: Do not check the level of the oil while the engine runs.

2. Remove the oil fill cap/dipstick. Check the oil.
3. If necessary, add oil until the oil reaches the **FULL** mark on the oil fill cap/dipstick (see Figure 12). Do not add too much oil.

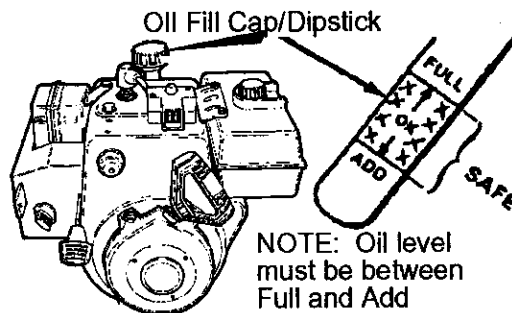


Figure 12

4. Tighten the fill cap/dipstick securely each time you check the oil level.

NOTE: S.A.E. 5W30 motor oil may be used to make starting easier in areas where temperature is consistently 20°F. or lower.

FILL GAS:

The engine is certified to comply with California and US EPA emission regulations for ULGE (Utility or Lawn and Garden Equipment) engines. ULGE engines are certified to operate on regular unleaded gasoline.



WARNING: Alcohol blended fuels (called gasohol or those using ethanol or methanol) can attract moisture which leads to separation and formation of acids during storage. Acidic gas can damage the fuel system of an engine while in storage.

NOTE: To avoid engine problems, the fuel system must be emptied before storage for 30 days or longer. Start the engine and let it run until the fuel lines and carburetor are empty. Use fresh fuel next season. See the **Storage** section in this manual for additional information.

Never use engine or carburetor cleaner products in the fuel tank or permanent damage may occur.

OPERATION

Fill the fuel tank only with a fresh, clean, unleaded regular, unleaded premium, or reformulated automotive gasoline. **DO NOT** use leaded gasoline. Make sure that the container you pour the gasoline from is clean and free from rust or other foreign particles. Never use gasoline that may be stale from long periods of storage in the container.



WARNING: Gasoline is flammable. Always use caution when handling or storing gasoline.

- Do not fill fuel tank while snow thrower is running, when it is hot, or when snow thrower is in an enclosed area.
- Keep away from open flame or an electrical spark and do not smoke while filling the fuel tank.
- Never fill the tank completely. Fill the tank to within 1/4"-1/2" from the top to provide space for expansion of fuel.
- Always fill fuel tank outdoors and use a funnel or spout to prevent spilling.
- Make sure to wipe up any spilled fuel before starting the engine.
- Store gasoline in a clean, approved container and keep the cap in place on the container.

TO STOP ENGINE

To stop engine, move the throttle control lever to "STOP" position and remove key. Keep the key in a safe place. The engine will not start without the key.

TO START ENGINE

Be sure that the engine has sufficient oil. The snow thrower engine is equipped with a 120 volt A.C. electric starter and recoil starter. Before starting the engine, be certain that you have read the following information.



WARNING: The starter is equipped with a three-wire power cord and plug and is designed to operate on 120 volt AC household current. It must be properly grounded at all times to avoid the possibility of electrical shock which may be injurious to operator.

- Follow all instructions carefully as set forth in the "To Start Engine" section.
- Determine that your house wiring is a three-wire grounded system. Ask a licensed electrician if you are not sure. If your house wire system is not a three-wire system, do not use this electric starter under any conditions.
- If your system is grounded and a three-hole receptacle is not available at the point your starter will normally be used, one should be installed by a licensed electrician.
- When connecting 120 volt AC "Power Cord", always connect the cord to the Switch Box on the engine first, then plug the other end into the three-hole grounded receptacle. When disconnecting "Power Cord", always unplug the end in the three-hole grounded receptacle first.

How To Start A Cold Engine

1. Be sure auger drive and traction drive levers are in the disengaged (RELEASED) position.
2. Move throttle control to "FAST" position.
3. Insert the ignition key into the ignition slot. Make sure it snaps into place. **Do not turn key.**
4. Rotate choke knob clockwise to the choke ON position.
5. (**Electric Start**) Plug the power cord into the **switch box** on the engine. Plug the other end of power cord into a three-hole, grounded 120 VOLT, AC receptacle.

OPERATION

6. Push the **primer button** as specified below. Remove finger from primer button between pushes.
 - Do not push if temperature above 50° F (10° C).
 - Push two times if temperature is 50° F (10° C) to 15°F (-10° C).
 - Push four times if temperature is below 15° F (-10° C).
 - Push five times if temperature is below 0° F (-18° C).
 7. **(Electric Start)** Push down on the **starter button** until the engine starts. Do not crank for more than 10 seconds at a time. This electric starter is thermally protected. If overheated it will stop automatically and can be restarted only when it has cooled to a safe temperature (a wait of about 5 to 10 minutes is required).
 8. **(Recoil Start)** Rapidly pull the **recoil starter handle**. Do not allow the **recoil starter handle** to snap back. Slowly return the **recoil starter handle**.
 9. If the engine does not start in 5 or 6 tries, See Difficult Starting in the "Troubleshooting Table".
 10. When the engine starts, move the **choke control** to "1/2 choke" position. When engine runs smoothly, move **choke control** to the off Position.
 11. **(Electric Start)** First disconnect power cord from receptacle. Then, disconnect the power cord from the **switch box**.
 12. Run engine at full throttle "FAST" when throwing snow.
- Allow the engine to warm up for several minutes before blowing snow in temperatures below 0°F.

How To Start A Warm Engine

If restarting a warm engine after a short shutdown, leave the choke lever in the off position and do not push the primer button. If the engine fails to start, follow the Cold Start instructions.

FROZEN STARTER

If the starter is frozen and will not turn engine:

1. Pull as much rope out of the starter as possible.
2. Release the starter handle and let it snap back against the starter. Repeat until the engine starts.

To help prevent possible freeze-up of recoil starter and engine controls, proceed as follows after each snow removal job.

1. With the engine running, pull the starter rope hard with a continuous full arm stroke three or four times. Pulling of starter rope will produce a loud clattering sound. This is not harmful to the engine or starter.
2. With the engine not running, wipe all snow and moisture from the carburetor cover in area of control levers. Also move throttle control, choke control, and starter handle several times.



WARNING: Never run engine indoors or in enclosed, poorly ventilated areas. Engine exhaust contains CARBON MONOXIDE, AN ODORLESS AND DEADLY GAS. Keep hands, feet, hair and loose clothing away from any moving parts on engine and snow thrower.

- The temperature of muffler and nearby areas may exceed 150°F. Avoid these areas.
- **DO NOT** allow children or young teenagers to operate or be near snow thrower while it is operating.

OPERATION

TO REMOVE SNOW FROM AUGER



WARNING: Do not attempt to remove snow or debris that may become lodged in auger without taking the following precautions:

A cleaning stick is attached to the top of the auger housing. Use the cleaning

stick to remove snow from the auger housing.

- Release auger drive lever.
- Move throttle lever to stop position.
- Remove (do not turn) ignition key.
- Disconnect spark plug wire.
- Do not place your hands in the auger or discharge chute. Use the cleaning stick to remove snow.

SNOW THROWING TIPS

1. For maximum snow thrower efficiency in removing snow, adjust ground speed, NEVER the throttle. Go slower in deep, freezing or wet snow. If the wheels slip, reduce forward speed. The engine is designed to deliver maximum performance at full throttle and should be run at this power setting at all times.
2. Most efficient snow throwing is accomplished when the snow is removed immediately after it falls.
3. For complete snow removal, slightly overlap each path previously taken.
4. The snow should be discharged down wind whenever possible.
5. For normal usage, set the skids so that the scraper bar is 1/8" above the skids. For extremely hard-packed snow surfaces, adjust the skids upward so that the scraper bar touches the ground.
6. On gravel or crushed rock surfaces, set the skids at 1-1/4" below the scraper bar. See **To Adjust Skid Height** paragraph in the **Service & Adjustments** section of this manual. Rocks and gravel must not be picked up and thrown by the machine.
7. After the snow throwing job has been completed, allow the engine to idle for a few minutes, which will melt snow and accumulated ice off the engine.
8. Clean the snow thrower thoroughly after each use.
9. Remove ice and snow accumulation and all debris from the entire snow thrower, and flush with water (if possible) to remove all salt or other chemicals. Wipe snow thrower dry.

MAINTENANCE

SERVICE RECORDS	Before Each Use	Often	Every 5 Hours	Every 10 Hours	Every 25 Hours	Each Season	Before Storage	SERVICE DATES
Auger Drive Belt *					✓			
Chain Lubrication					✓			
Check Engine Oil Level	✓		✓			✓		
Change Engine Oil					✓	✓		
Check Spark Plug					✓	✓		
Remove Fuel						✓	✓	
Adjust Drive Belt	✓				✓			

* Adjust after 2 to 4 hours of use.

GENERAL RECOMMENDATIONS

The warranty on this snow thrower does not cover items that have been subjected to operator abuse or negligence. To receive full value from the warranty, the operator must maintain the snow thrower as instructed in this manual. Some adjustments will need to be made periodically to properly maintain your snow thrower.

AFTER EACH USE

- Run the machine to clear the auger of snow.
- To prevent freezing of the auger or controls, remove all snow and slush from the snow thrower.
- Check for any loose or damaged parts.
- Tighten any loose fasteners.
- Check and maintain the auger.
- Check controls to make sure they are functioning properly.
- If any parts are worn or damaged, replace immediately.

SNOW THROWER AUGER DRIVE BELT

Adjust the auger drive belt after the first 2 to 4 hours of use, again about mid-season and twice each season thereafter (See to "Belt Adjustment" in the Service and Adjustment section).

PRODUCT SPECIFICATIONS

HORSEPOWER	9.5 HP
DISPLACEMENT	305 cc
BORE	79mm (3.12 in.)
STROKE	62mm (2.44 in.)
GASOLINE CAPACITY	3 quarts (unleaded)
OIL CAPACITY	28 oz. (5W30)
SPARK PLUG: (Gap .030 in.)	Champion RJ19LM or equivalent
VALVE CLEARANCE:	Intake: 0.004 0.006 in. Exhaust: 0.009 0.011 in.
ARMATURE AIR GAP:	0.010 0.014 in.

CHAIN LUBRICATION EVERY 25 HOURS

1. Position speed selector lever in first (1) forward gear.
2. Stand the snow blower up on the auger housing end.

NOTE: When the crank case is filled with oil, do not leave the snow blower standing up on the auger housing for an extended period of time.

3. Remove the bottom panel.
4. Lubricate the chains with a chain type lubricant.

MAINTENANCE

5. For storage, wipe the **hexshaft** and **sprockets** with 5W30 motor oil.

NOTE: Clean all excess grease or oil found on the rubber friction wheel or the disc drive plate.

CAUTION: Do not allow grease or oil to contact the rubber friction wheel or the disc drive plate.

6. Install the bottom panel.

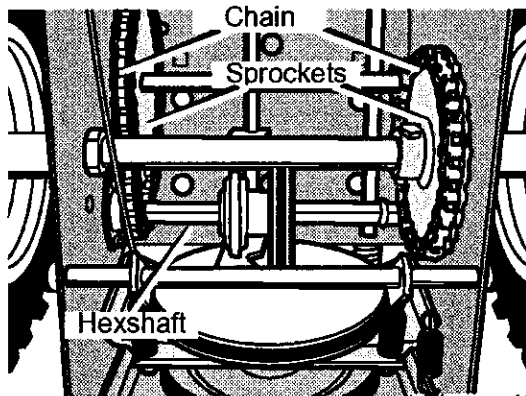


Figure 13

AUGER GEAR BOX

The auger gear box is lubricated at the factory and should not require additional lubrication. If for some reason the lubricant should leak out, have auger gear case checked by a competent repairman.

ENGINE

LUBRICATION

Check the crankcase oil level before starting the engine and after each five (5) hours of continuous use. See Figure 14. Add S.A.E. 5W30 motor oil as needed. Tighten fill cap/dipstick securely each time you check the oil level.

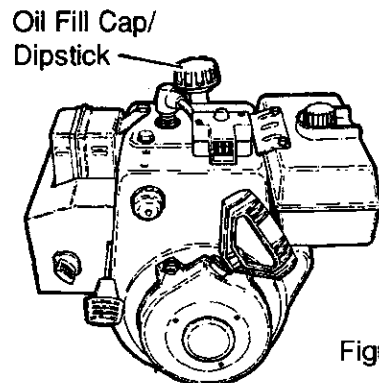


Figure 14

Change the oil every twenty-five (25) hours or at least once a year if the snow thrower is not used for twenty-five (25) hours.

TO CHANGE ENGINE OIL

1. Position the snow thrower so that the oil drain plug is at the lowest point on the engine.
2. Remove the oil drain plug and the **oil fill cap/dipstick**. Drain the oil into a suitable container.

NOTE: The oil will drain more freely when the engine is warm.

3. After draining all the oil, reinstall the oil drain plug securely.
4. Fill the engine crankcase with S.A.E. 5W30 motor oil, pouring slowly. **DO NOT OVERFILL.** See "To Add Oil" in the Operation Section.

SPARK PLUG

Check the **spark plug** every twenty-five (25) hours. Replace the **spark plug** if the electrodes are pitted or burned or if the porcelain is cracked.

1. Make sure the **spark plug** is clean. Clean the **spark plug** by carefully scraping the electrodes (**do not sand blast or use a wire brush**).
2. Check the **spark plug** gap with a **feeler gauge** and reset gap to 0.30" if necessary. See Figure 15.
3. Before installing the **spark plug**, coat the threads lightly with oil for easy removal. Tighten the spark plug to a torque of 15 foot-pounds.

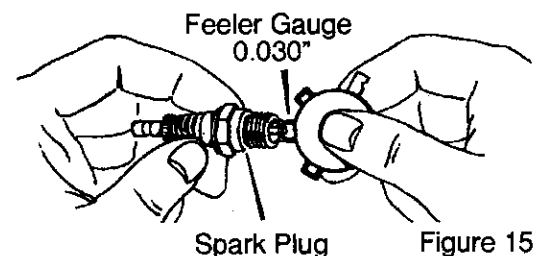


Figure 15

SERVICE AND ADJUSTMENT

WARNING: Always disconnect the spark plug wire and place it where it cannot make contact with spark plug to prevent accidental starting when making any adjustments or repairs.

TO ADJUST SKID HEIGHT

This snow thrower is equipped with two height adjustment skids, located on the outside of the auger housing. See Figure 16.

These skids elevate the front of the snow thrower.

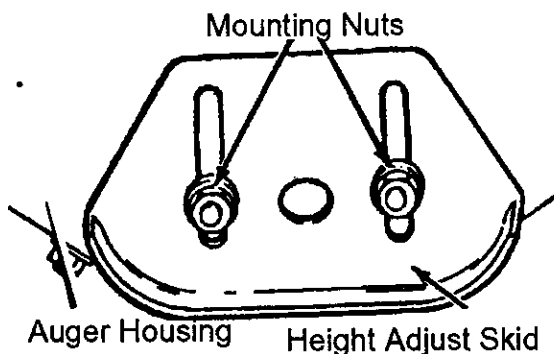


Figure 16

For normal hard surfaces, such as a paved driveway or walk, adjust the skids as follows.

1. Position the snow thrower on a level surface.
2. Make sure both tires are equally inflated. Proper tire pressure is 14 to 17 PSI. See side of tire for maximum inflation. Do not exceed maximum sidewall pressure on tire.
3. Place the extra shear bolts supplied (**found in parts bag**) under each end of the scraper bar next to the adjustable skids.
4. Loosen the mounting nuts that hold the adjustable skids. To bring the front of the snow thrower down,

raise the adjustable skids. Tighten the mounting nuts. See Figure 16.

NOTE: For rocky or uneven surfaces, raise the front of the snow thrower by moving the skids down.

WARNING: Be certain to maintain proper ground clearance for your particular area to be cleared. Objects such as gravel, rocks or other debris, if struck by the impeller, may be thrown with sufficient force to cause personal injury, property damage or damage to the snow thrower.

TO ADJUST SCRAPER BAR

After considerable use, the metal scraper bar will have a definite wear pattern. The scraper bar in conjunction with the skids should always be adjusted to allow 1/8" between the scraper bar and the sidewalk or area to be cleaned.

1. Position the snow thrower on a level surface.
2. Make sure both tires are equally inflated. Proper tire pressure is 14 to 17 PSI. See side of tire for maximum inflation. Do not exceed maximum sidewall pressure on tire.
3. Loosen the carriage bolts and nuts securing the scraper bar to the auger housing.
4. Adjust the scraper bar to the proper position.
5. Tighten the carriage bolts and nuts, making sure that the scraper bar is parallel with the working surface.
6. For extended operation, the scraper bar may be reversed. If the scraper bar must be replaced due to wear, remove the carriage bolts and nuts and install a new scraper bar.

SERVICE AND ADJUSTMENT

BELT ADJUSTMENT

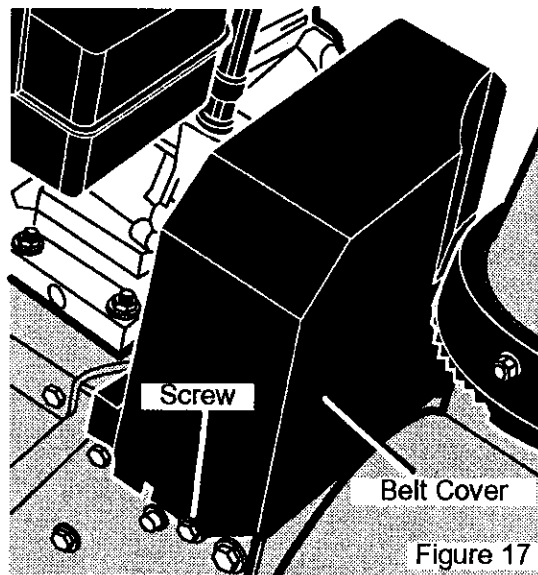
Traction Drive Belt

The traction drive belt has constant spring pressure and does not require an adjustment. If the traction drive belt is slipping, replace the belt. See "How To Replace The Belts" in the Service And Adjustment section.

Auger Drive Belt

If your snow blower will not discharge snow, check the control cable adjustment. If it is correct, then check the condition of the auger drive belt. If it is damaged or loose, replace it (see "How To Replace The Belts" in this section of the manual).

1. Disconnect spark plug wire.
2. Remove **screw** from **belt cover**.
Remove **belt cover** (see Figure 17).



3. Loosen nut on auger idler pulley and move auger idler pulley towards belt about 1/8 inch (3 mm) (see Figure 20).
4. Tighten nut.

5. Have someone engage auger drive clutch. Check tension on belt (opposite idler pulley). Belt should deflect about 1/2 inch (12.5 mm) with moderate pressure (Figure 18). You may have to move idler pulley more than once to obtain the correct tension.

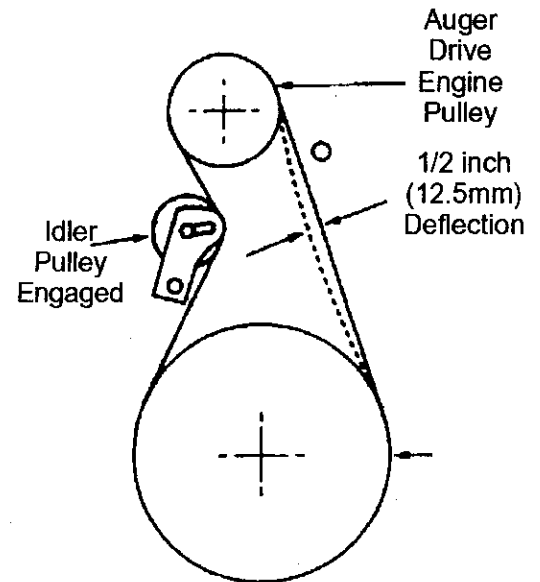


Figure 18

6. Reinstall belt cover.
7. Whenever belts are adjusted or replaced, the cables will need to be adjusted. (See Cable Adjustment in this section of the manual).
8. Attach the spark plug wire.

HOW TO REPLACE THE BELTS

The drive belts are of special construction and must be replaced with original equipment replacement belts available from your nearest Sears service center. Some steps require the assistance of a second person.

How To Remove the Auger Drive Belt

If the auger drive belt is damaged, the snow thrower will not discharge snow. Replace the damaged belt as follows.

1. Disconnect the spark plug wire.
2. Loosen the **bolts** on each side of the **bottom panel** (see Figure 19).

SERVICE AND ADJUSTMENT

3. Remove the **bottom panel**.

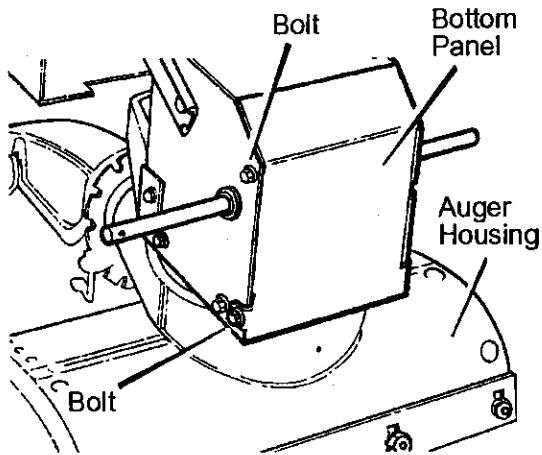


Figure 19

4. Remove **screw** from **belt cover**. Remove the **belt cover** (see Figure 17).
5. Loosen the **belt guide**. Pull the **belt guide** away from the **auger drive pulley** (see Figure 20).
6. Pull the **idler pulley** away from the **auger drive belt**.
7. Remove the old **auger drive belt** from the **auger drive pulley** and

from the **engine pulley**. Replace the **auger drive belt** with an original equipment replacement belt available from a Sears service center.

8. Install the new **auger drive belt** onto the **auger drive pulley** and onto **pulley**.
9. Adjust the **auger drive belt**. See "How To Adjust The Auger Drive Belt" in the Service And Adjustment section.
10. Adjust the **belt guide**. See "How To Adjust The Belt Guide" in the Service And Adjustment section.
11. Install the **belt cover**. Tighten **screw** (See Figure 17).
12. Check the adjustment of the cables. See "How To Check And Adjust The Cables" in the Service And Adjustment section.
13. Install the **bottom panel** (see Figure 19).
14. Tighten the **bolts** on each side of the **bottom panel**.
15. Connect the spark plug wire.

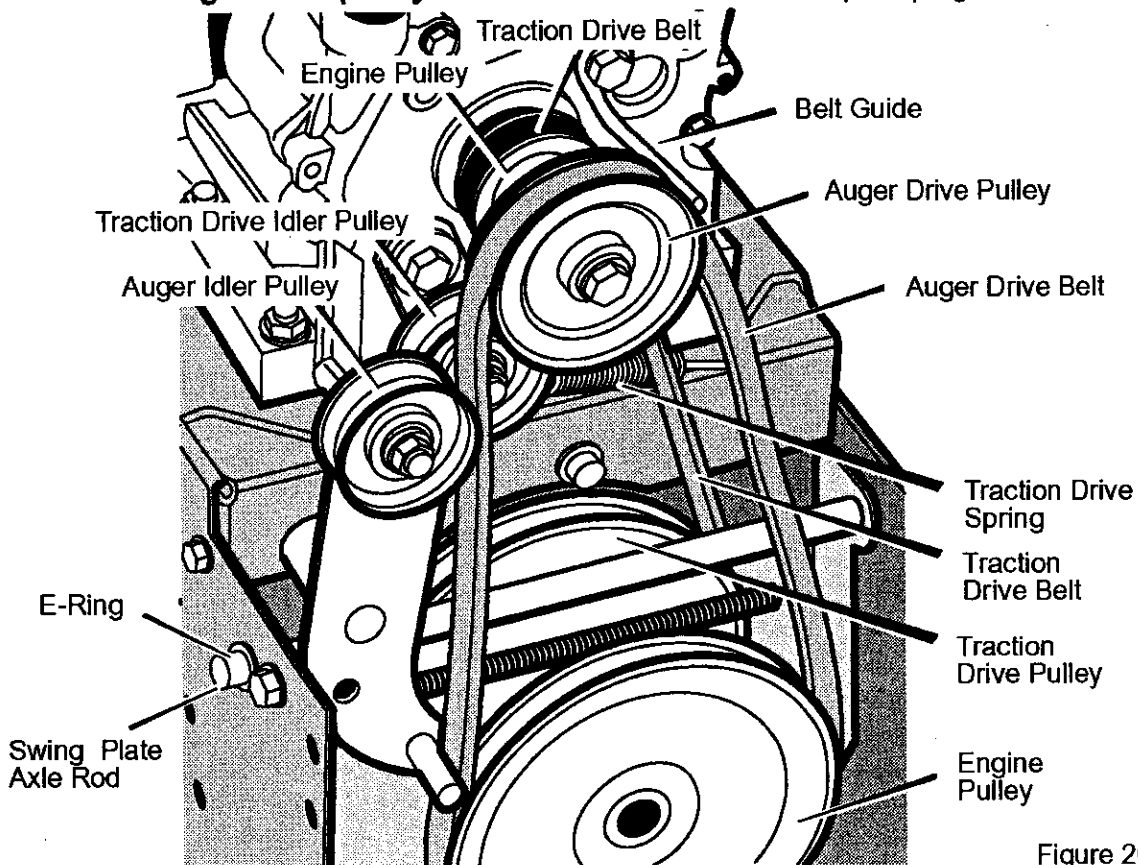


Figure 20

SERVICE AND ADJUSTMENT

How To Remove The Traction Drive Belt

If the snow thrower will not move forward, check the traction drive belt for wear or damage. If the traction drive belt is worn or damaged, replace the belt as follows.

1. Disconnect the spark plug wire.
2. Remove the auger drive belt. See "How To Remove The Auger Drive Belt" in the Service And Adjustment section.
3. Remove the **e-ring** from one end of the **swing plate axle rod**. Remove the **swing plate axle rod** to allow the swing plate to pivot forward (see Figure 20).
4. Remove the **traction drive spring**.
5. Remove the old **traction drive belt** from the **traction drive pulley** and from the **engine pulley**. Replace the **traction drive belt** with an original equipment replacement belt available from a Sears service center.
6. Install the new **traction drive belt** onto the **traction drive pulley** and onto **engine pulley**.
7. Make sure the **traction drive idler pulley** is properly aligned with the **traction drive belt**.
8. Attach the **traction drive spring**.
9. Install the **swing plate axle rod** and secure with the **e-ring** removed earlier.
10. The bottom of the **swing plate** must be positioned between the **alignment tabs**. Make sure the **swing**

plate is properly secured (see Figure 21).

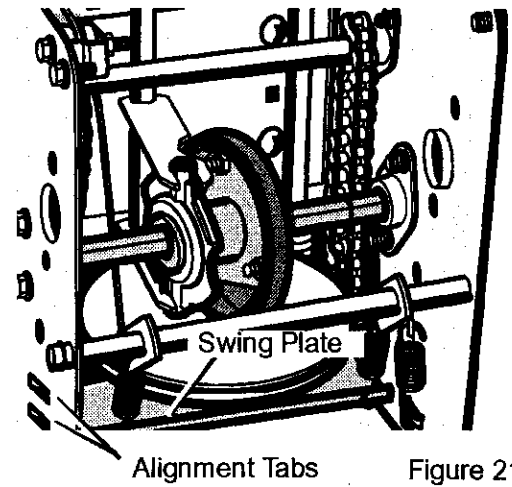


Figure 21

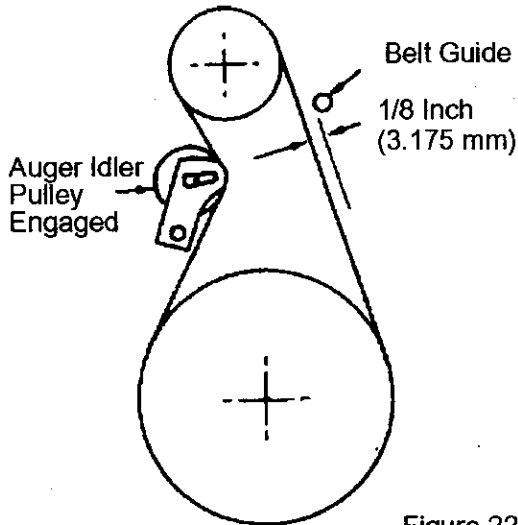
NOTE: If the drive will not engage after the traction drive belt has been replaced, then check to make sure that the swing plate is positioned between the alignment tabs.

11. Install and adjust the **auger drive belt**. See "How To Remove The Auger Drive Belt" in the Service And Adjustment section.
12. Adjust the **belt guide**. See "How To Adjust The Belt Guide" in the Service And Adjustment section.
13. Install the **bottom panel** (see Figure 19).
14. Tighten the **bolts** on each side of the **bottom panel**.
15. Install the **belt cover**. Tighten **screw** (see Figure 17).
16. Check the adjustment of the cables. See "How To Check And Adjust The Cables" in the Service And Adjustment section.
17. Connect the spark plug wire.

SERVICE AND ADJUSTMENT

BELT GUIDE ADJUSTMENT

1. Remove spark plug wire.
2. Have someone engage auger drive.
3. Measure the distance between the belt guide and belt. The distance should be 1/8 inch (3.175 mm) for guide. See Figure 22.



4. If adjustment is necessary, loosen belt guide mounting bolt. Move belt guide to the correct position. Tighten mounting bolt.
5. Reinstall belt cover.
6. Reconnect spark plug wire.

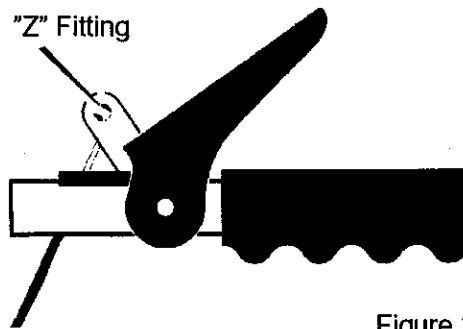
HOW TO CHECK AND ADJUST THE CABLES

The cables are adjusted at the factory and no adjustment should be necessary. If the cables have become stretched or are sagging adjustment will be necessary.

Whenever belts are adjusted or replaced, the cables will need to be adjusted.

To check for correct adjustment, unhook "Z" fitting at clutch lever (see Figure 23).

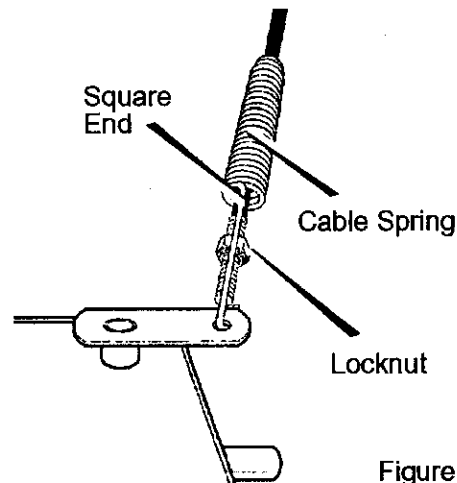
1. Move clutch lever to the full forward position (just contacting plastic bumper). Holding cable tight, note position of fitting to hole in clutch lever.



2. The center of the "Z" fitting should be between the center and top of the hole in the clutch lever. Adjust either the auger drive cable or the traction drive cable as necessary according to the following instructions.

Auger Drive Cable Adjustment

1. Run the engine until the fuel tank is empty and the engine stops.
2. Stand the snow thrower up on the front end of the auger housing.
3. Push cable through spring to expose the threaded portion of the cable (see Figure 24).



4. Hold square end of threaded portion with pliers and adjust locknut in or out until correct adjustment is reached. Pull cable back through spring and connect cable.

SERVICE AND ADJUSTMENT

TRACTION DRIVE CABLE ADJUSTMENT

1. Run the engine until the fuel tank is empty and the engine stops.
2. Stand the snow thrower up on the front end of the auger housing.
3. Loosen the **bolts** on each side of the **bottom panel** (see Figure 25).

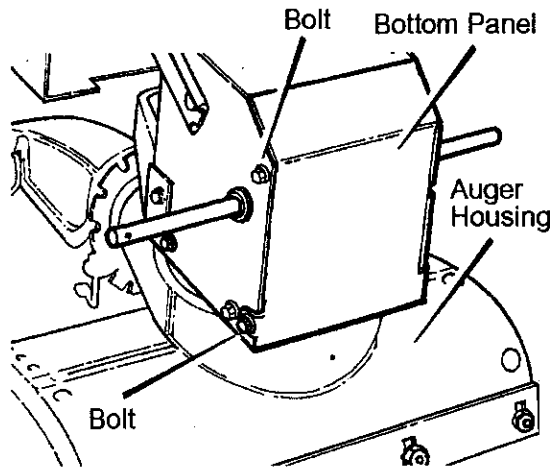


Figure 25

4. Remove the **bottom panel**.
5. Disconnect the "**Z**" fitting from the **drive lever** (see Figure 23).
6. Slide the **cable boot** off the **cable adjustment bracket** (see Figure 26).

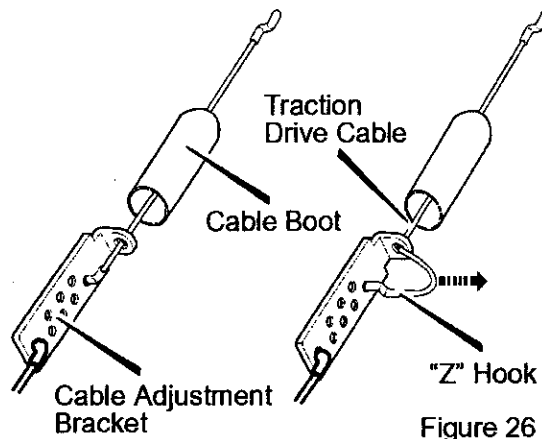
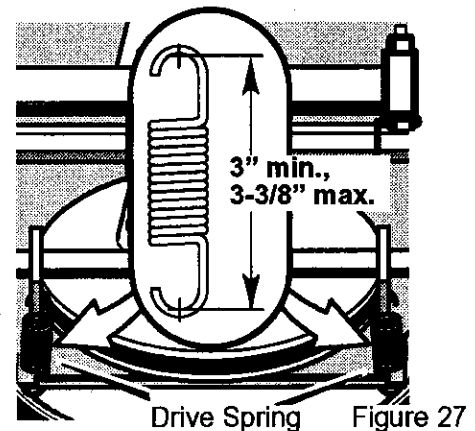


Figure 26

7. Push the bottom of the **traction drive cable** through the **cable adjustment bracket** until the "**Z**" hook can be removed.
8. Remove the "**Z**" hook from the **cable adjustment bracket**. Move the "**Z**" hook down to the next adjustment hole.
9. Pull the **traction drive cable** up through the **cable adjustment bracket**.
10. Put the **cable boot** over the **cable adjustment bracket**.
11. Install the "**Z**" hook to the **traction drive lever** (see Figure 23).
12. To check the adjustment, depress the drive lever and check the length of one of the **drive springs**. In correct adjustment, the length of the **drive spring** is:
minimum 3" (76 mm.)
maximum 3-3/8" (85 mm.)
(see Figure 27).



SERVICE AND ADJUSTMENT

HOW TO ADJUST OR REPLACE THE FRICTION WHEEL

How To Check The Friction Wheel

If the snow thrower will not move forward, check the traction drive belt, the traction drive cable or the friction wheel. If the friction wheel is worn or damaged, it must be replaced. See "How To Replace the Friction Wheel" in this section. If the friction wheel is not worn or damaged, check as follows.

1. Run the engine until the fuel tank is empty and the engine stops.
2. Stand the snow thrower up on the front end of the **auger housing** (see Figure 28).
3. Disconnect the spark plug wire.
4. Loosen the **bolts** on each side of the **bottom panel** (see Figure 28).
5. Remove the **bottom panel**.
6. Position the **shift speed lever** in the lowest forward speed.
7. Note the position of the **friction wheel** (see Figure 29). The correct distance "A" from the right side of the **friction wheel** to the outside of the motorbox is as follows:

Tire Size	Distance "A"
12 and 13 inch	4-1/8"
16 inch	4-5/16"

If the **friction wheel** is not in the correct position, adjust according to the following instructions.

How To Adjust The Friction Wheel

1. Position the **shift speed lever** in the lowest forward speed.
2. Loosen the **bolts** on the **speed control rod** (see Figure 30).
3. Move the **friction wheel** to the correct position (see Figure 29).
4. Tighten the **bolts** on the **speed control rod** (see Figure 30).

5. Install the **bottom panel** (see Figure 28).
6. Tighten the **bolts** on each side of the **bottom panel**.

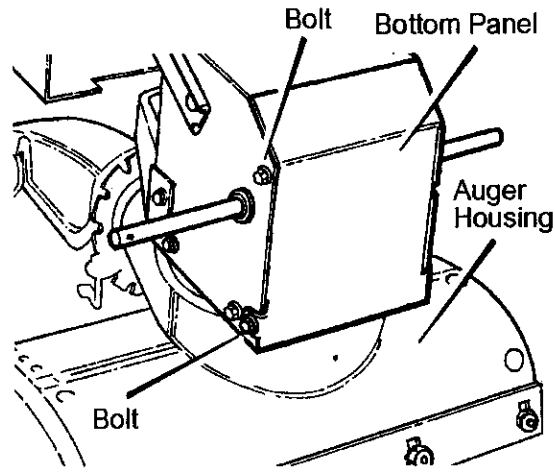


Figure 28

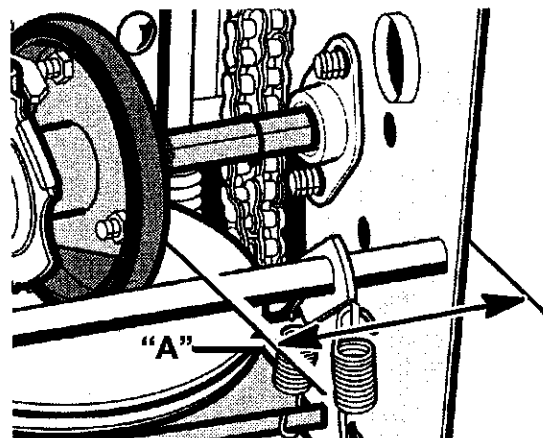


Figure 29

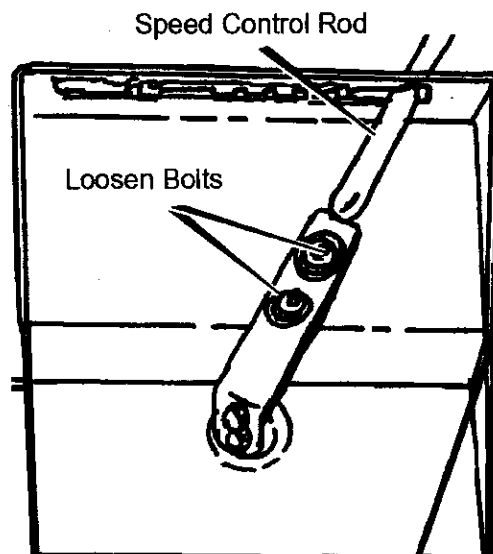


Figure 30

SERVICE AND ADJUSTMENT

How To Replace The Friction Wheel

If the friction wheel is worn or damaged, the snow thrower will not move forward. The friction wheel must be replaced as follows.

1. Run the engine until the fuel tank is empty and the engine stops.
2. Stand the snow thrower up on the front end of the **auger housing (4)**. (see Figure 28).
3. Disconnect the spark plug wire.
4. Remove the fasteners that secure the right **wheel**. Remove the **right wheel** from the **axle** (see Figure 31)
5. Loosen the **bolts** on each side of the **bottom panel**.
6. Remove the **bottom panel**.
7. Remove the fasteners that secure the **drive sprocket** to the **axle** (see Figure 32).
8. Remove the left wheel, **axle**, and **drive sprocket**.
9. Remove the four **bolts** that hold the **bearings** on each side of the **hex shaft** (see Figure 33).
10. Remove the **hex shaft** and **bearings**.

NOTE: Take special note of the position of the washers on the hex shaft.

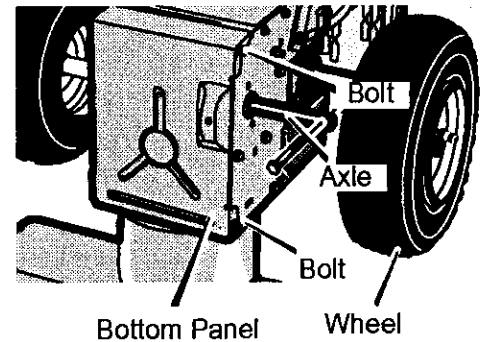


Figure 31

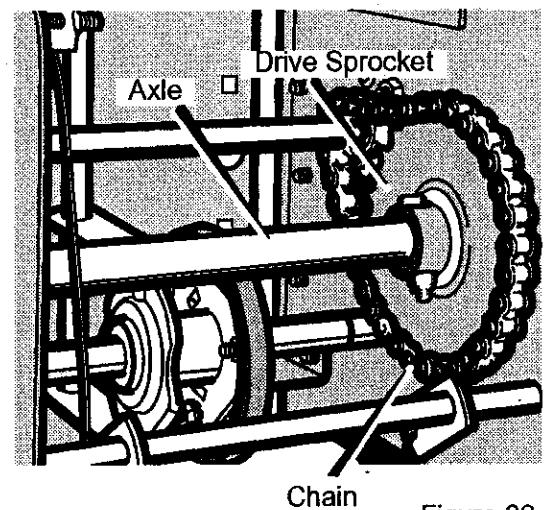


Figure 32

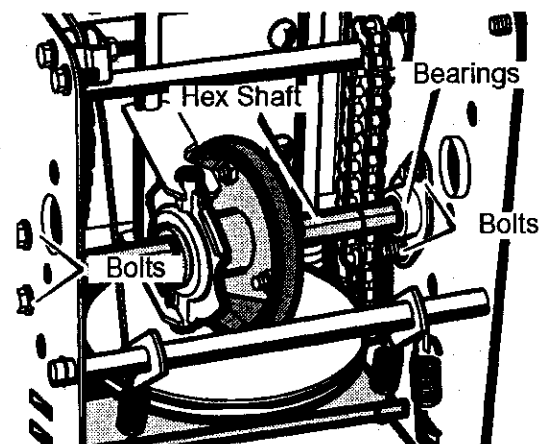


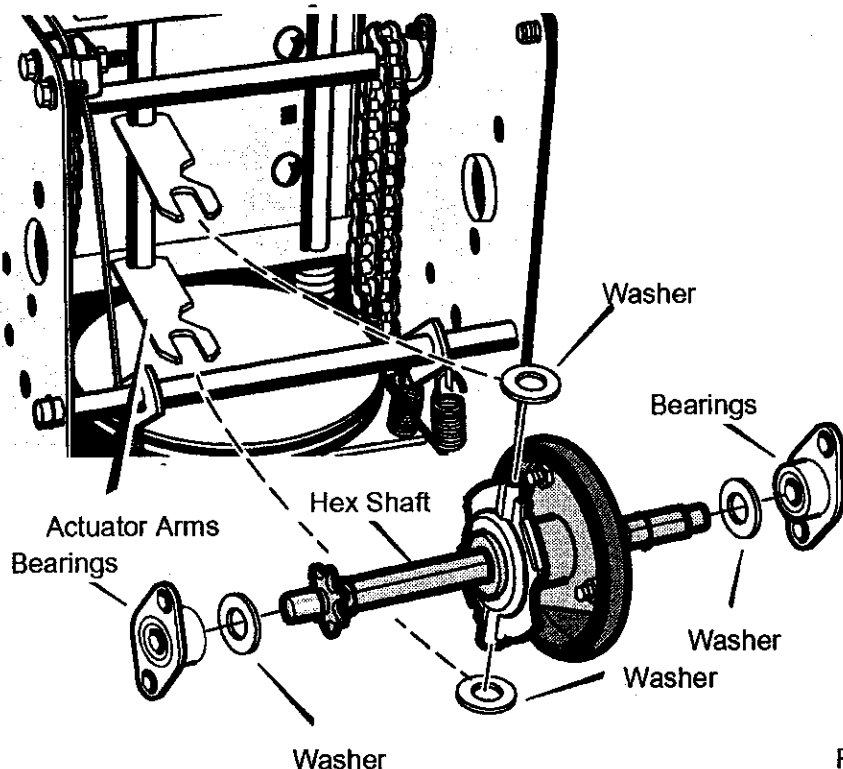
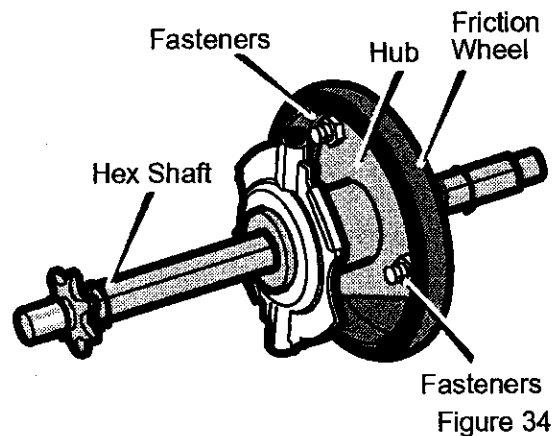
Figure 33

SERVICE AND ADJUSTMENT

11. Remove the three **fasteners** that hold the **friction wheel** to the **hub** (see Figure 34).
12. Remove the **friction wheel** from the **hub**. Slip the **friction wheel** off the **hex shaft**.
13. Assemble the new **friction wheel** onto **hub** with the fasteners removed earlier.
14. Install the **hex shaft** and **bearings** with the four bolts removed earlier (see Figure 35).
15. Make sure the **hex shaft** turns freely.
16. Install the left wheel, **axle**, and **drive sprocket** with the fasteners removed earlier. Install the **chain** onto the **drive sprocket** (see Figure 32).
17. Check the adjustment of the friction wheel. See "How To Adjust The Friction Wheel" in this section.
18. Make sure the friction wheel and the disc drive plate are free from grease or oil.
19. Install the **bottom panel** (see Figure 31).
20. Tighten the **bolts** on each side of the **bottom panel**.
21. Install the **right wheel** to the **axle** with the fasteners removed earlier.
22. Connect the spark plug wire.

Make sure the washers are properly installed in the original position. Also, make sure the two washers are properly aligned with the actuator arms.

15. Make sure the **hex shaft** turns freely.
16. Install the left wheel, **axle**, and **drive sprocket** with the fasteners removed earlier. Install the **chain** onto the **drive sprocket** (see Figure 32).



SERVICE AND ADJUSTMENT

HOW TO REPLACE THE AUGER SHEAR BOLT

The augers are secured to the auger shaft with special shear bolts. These shear bolts are designed to break and protect the machine if an object becomes lodged in the auger housing. Do not use a harder bolt as the protection provided by the shear bolt will be lost.



WARNING: For safety and to protect the machine, use only original equipment shear bolts.

To replace a broken shear bolt, proceed as follows. Extra shear bolts were provided in the assembly parts bag.

1. Move the throttle control to the stop position. Disengage all controls.

2. Disconnect the spark plug wire. Make sure all moving parts have stopped.
3. Align the hole in the auger with the hole in the auger shaft. Install the new **shear pin** and **spacer**. See Figure 36.
4. Connect the spark plug wire.

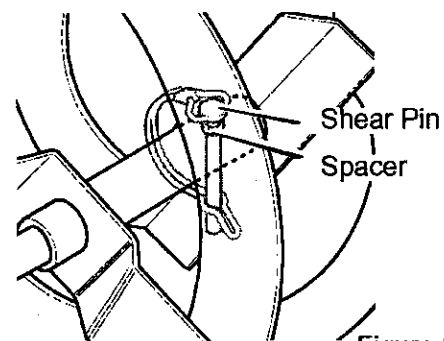


Figure 36

TO ADJUST THE CARBURETOR

If you think your carburetor needs adjusting, contact your nearest Sears Service Center. Engine performance should not be affected at altitudes up to 7,000 feet. For operation at higher elevations, contact your nearest Sears Service Center.

IMPORTANT: Never tamper with the engine governor, which is factory set for proper engine speed. Over-speeding

the engine above the factory high speed setting can be dangerous. If you think the engine-governed high speed needs adjusting, contact your nearest Sears Service Center, which has the proper equipment and experience to make any necessary adjustments. For the location of the nearest Sears Service Center, call Sears Service at 1-800-4-MY-HOME®.

STORAGE



WARNING: Never store your snow thrower indoors or in an enclosed, poorly ventilated area. If gasoline remains in the tank, fumes may reach an open flame, spark or pilot light from a furnace, water heater, clothes dryer, cigarette, etc.

To prevent damage (if snow thrower is not used for more than 30 days) follow the steps below.

SNOW THROWER

1. Thoroughly clean the snow thrower.
2. Lubricate all lubrication points. See the **Maintenance** section.
3. Be sure that all nuts, bolts and screws are securely fastened. Inspect all visible moving parts for damage, breakage and wear. Replace if necessary.
4. Touch up all rusted or chipped paint surfaces; sand lightly before painting.
5. Cover the bare metal parts of the blower housing auger and the impeller with rust preventative, such as a spray lubricant.

NOTE: A yearly checkup or tune-up by a Sears service center is a good way of ensuring that your snow thrower will provide maximum performance for the next season.

ENGINE

Gasoline must be removed or treated to prevent gum deposits from forming in the fuel tank, filter, hose, and carburetor during storage. Also, during storage alcohol blended gasoline that uses ethanol or methanol (sometimes called gasohol) attracts water. It acts on the gasoline to form acids which damage the engine.

1. Run the engine until the fuel tank is empty and the engine stops.
2. If you do not remove the gasoline, use fuel stabilizer supplied with unit or purchase Craftsman Fuel Stabilizer No. 3550. Add fuel stabilizer to any gasoline left in the tank to minimize gum deposits and acids. If the fuel tank is almost empty, mix stabilizer with fresh gasoline in a separate container and add some to the fuel tank.
3. Always follow the instructions on the stabilizer container. After the stabilizer is added to the fuel tank, run the engine at least ten minutes to allow the mixture to reach the carburetor.
4. Change the engine oil.
5. Lubricate the piston/cylinder area. First, remove the spark plug and squirt a few drops of clean engine oil into the spark plug hole. Next, cover the spark plug hole with a rag to absorb oil spray. Then, pull two or three times on the recoil starter rope to rotate the engine. Finally, install the spark plug and attach the spark plug wire.

OTHER

1. If possible, store your snow thrower indoors and cover it to give protection from dust and dirt.
2. If the snow thrower must be stored outdoors, put the snow thrower on blocks to raise it off of the ground.
3. Cover the snow thrower with a suitable protective cover that does not retain moisture. Do not use plastic.

IMPORTANT: Never cover snow thrower while engine and exhaust areas are still warm.

TROUBLESHOOTING

TROUBLE	CAUSE	CORRECTION
Difficult starting	Defective spark plug.	Replace spark plug.
	Water or dirt in fuel system.	Remove fuel from fuel tank. Add fresh fuel.
Engine runs erratically	Blocked fuel line, empty gas tank, or stale gasoline	Clean fuel line; check fuel supply; add fresh gasoline
Engine stalls	Unit running on CHOKE.	Set choke lever to OFF position.
Engine runs erratic; Loss of power	Water or dirt in fuel system.	Remove fuel from fuel tank. Add fresh fuel.
Excessive vibration	Loose parts: damaged impeller	Immediately stop engine. Remove ignition key. Tighten all fasteners and make all necessary repairs. If vibration continues, take the unit to a Sears service center.
Unit fails to propel itself	Traction drive belt loose or damaged.	Replace traction drive belt.
	Incorrect adjustment of traction drive cable	Adjust traction drive cable.
	Worn or damaged friction wheel.	Replace friction wheel.
Unit fails to discharge snow	Auger drive belt loose or damaged.	Adjust auger drive belt; replace if damaged.
	Auger control cable not adjusted correctly.	Adjust auger control cable.
	Shear bolt broken	Replace shear bolt
	Discharge chute clogged.	Stop engine immediately and disconnect spark plug wire. Clean discharge chute and inside of auger housing.
	Foreign object lodged in auger	Stop engine immediately and disconnect spark plug wire. Remove object from auger.

SEARS, ROEBUCK AND CO.

Federal and California Emission Control Systems Limited Warranty Small Off-Road Engines

CALIFORNIA & US EPA EMISSION CONTROL WARRANTY STATEMENT

The U. S. Environmental Protection Agency ("EPA"), the California Air Resources Board ("CARB") and Sears, Roebuck and Co. are pleased to explain the Federal and California Emission Control Systems Warranty on your new small off-road engine. In California, new 1995 and later small off-road engines must be designed, built and equipped to meet the State's stringent anti-smog standards. In other states, new 1997 and later model year engines must be designed, built and equipped, at the time of sale, to meet the U.S. EPA regulations for small non-road engines. Sears, Roebuck and Co. will warrant the emission control system on your small off-road engine for the periods of time listed below, provided there has been no abuse, neglect, unapproved modification, or improper maintenance of your small off-road engine.

Your emission control system may include parts such as the carburetor, ignition system and exhaust system. Also included may be the compression release system and other emission-related assemblies.

Where a warrantable condition exists, Sears, Roebuck and Co. will repair your small off-road engine at no cost to you for diagnosis, parts and labor.

MANUFACTURER'S EMISSION CONTROL SYSTEM WARRANTY COVERAGE

Emission control systems on 1995 and later model year California small off-road engines are warranted for two years as hereinafter noted. In other states, 1997 and later model year engines are also warranted for two years. If, during such warranty period, any emission-related part on your engine is defective in materials or workmanship, the part will be repaired or replaced by Sears, Roebuck and Co.

OWNER'S WARRANTY RESPONSIBILITIES

As the small off-road engine owner, you are responsible for the performance of the re-

quired maintenance listed in your Owner's Manual, but Sears, Roebuck and Co. will not deny warranty solely due to the lack of receipts or for your failure to provide written evidence of the performance of all scheduled maintenance.

As the small off-road engine owner, you should, however, be aware that Sears, Roebuck and Co. may deny you warranty coverage if your small off-road engine or a part thereof has failed due to abuse, neglect, improper maintenance or unapproved modifications.

You are responsible for presenting your small off-road engine to a Sears, Roebuck and Co. Authorized Service Outlet as soon as a problem exists. The warranty repairs should be completed in a reasonable amount of time, not to exceed 30 days.

Warranty service can be arranged by contacting either a Sears, Roebuck and Co. Authorized Service Outlet, or by contacting Sears, Roebuck and Co. at 1-800-473-7247.

IMPORTANT NOTE

This warranty statement explains your rights and obligations under the Emission Control System Warranty "(ECS Warranty)" which is provided to you by Sears, Roebuck and Co. pursuant to California law. See also the Sears, Roebuck and Co. Limited Warranties for Sears, Roebuck and Co. which is enclosed therewith on a separate sheet and also is provided to you by Sears, Roebuck and Co. The ECS Warranty applies only to the emission control system of your new engine. To the extent that there is any conflict in terms between the ECS Warranty and the Sears, Roebuck and Co. Warranty, the ECS Warranty shall apply except in any circumstances in which the Sears, Roebuck and Co. Warranty may provide a longer warranty period. Both the ECS Warranty and the Sears, Roebuck and Co. Warranty describe important rights and obligations with respect to your new engine.

Warranty service can only be performed by a Sears, Roebuck and Co. Authorized Service Outlet. At the time of requesting warranty service, evidence must be presented of the date of sale to the original purchaser. The purchas-

er shall pay any charges for making service calls and/or for transporting the products to and from the place where the inspection and/or warranty work is performed. The purchaser shall be responsible for any damage or loss incurred in connection with the transportation of any engine or any part(s) thereof submitted for inspection and/or warranty work.

If you have any questions regarding your warranty rights and responsibilities, you should contact Sears, Roebuck and Co. at 1-800-473-7247.

EMISSION CONTROL SYSTEM WARRANTY

Emission Control System Warranty ("ECS Warranty") for 1995 and later model year California small off-road engines (for other states, 1997 and later model year engines):

A. APPLICABILITY: This warranty shall apply to 1995 and later model year California small off-road engines (for other states, 1997 and later model year engines). The ECS Warranty Period shall begin on the date the new engine or equipment is delivered to its original, end-use purchaser, and shall continue for 24 consecutive months thereafter.

B. GENERAL EMISSIONS WARRANTY COVERAGE: Sears, Roebuck and Co. warrants to the original, end-use purchaser of the new engine or equipment and to each subsequent purchaser that each of its small off-road engines is:

1. Designed, built and equipped so as to conform with all applicable regulations adopted by the Air Resources Board pursuant to its authority in Chapters 1 and 2, Part 5, Division 26 of the Health and Safety Code, and

2. Free from defects in materials and workmanship which, at any time during the ECS Warranty Period, will cause a warranted emissions-related part to fail to be identical in all material respects to the part as described in the engine manufacturer's application for certification.

C. The ECS Warranty only pertains to emissions-related parts on your engine, as follows:

1. Any warranted, emissions-related parts which are not scheduled for replacement as required maintenance in the Owner's Manual shall be warranted for the ECS Warranty Period. If any such part fails during the ECS Warranty Period, it shall be repaired or replaced by

Sears, Roebuck and Co. according to Subsection 4 below. Any such part repaired or replaced under the ECS Warranty shall be warranted for any remainder of the ECS Warranty Period.

2. Any warranted, emissions-related part which is scheduled only for regular inspection as specified in the Owner's Manual shall be warranted for the ECS Warranty Period. A statement in such written instructions to the effect of "repair or replace as necessary", shall not reduce the ECS Warranty Period. Any such part repaired or replaced under the ECS Warranty shall be warranted for the remainder of the ECS Warranty Period.

3. Any warranted, emissions-related part which is scheduled for replacement as required maintenance in the Owner's Manual, shall be warranted for the period of time prior to the first scheduled replacement point for that part. If the part fails prior to the first scheduled replacement, the part shall be repaired or replaced by Sears, Roebuck and Co. according to Subsection 4 below. Any such emissions-related part repaired or replaced under the ECS Warranty, shall be warranted for the remainder of the ECS Warranty Period prior to the first scheduled replacement point for such emissions-related part.

4. Repair or replacement of any warranted, emissions-related part under this ECS Warranty shall be performed at no charge to the owner at a Sears, Roebuck and Co. Authorized Service Outlet.

5. The owner shall not be charged for diagnostic labor which leads to the determination that a part covered by the ECS Warranty is in fact defective, provided that such diagnostic work is performed at a Sears, Roebuck and Co. Authorized Service Outlet.

6. Sears, Roebuck and Co. shall be liable for damages to other original engine components or approved modifications proximately caused by a failure under warranty of an emission-related part covered by the ECS Warranty.

7. Throughout the ECS Warranty Period, Sears, Roebuck and Co. shall maintain a supply of warranted emission-related parts sufficient to meet the expected demand for such emission-related parts.

8. Any Sears, Roebuck and Co. authorized and approved emission-related replacement part may be used in the performance of any ECS Warranty maintenance or repair and will be provided without charge to the owner. Such

use shall not reduce Sears, Roebuck and Co. ECS Warranty obligations.

9. Unapproved add-on or modified parts may not be used to modify or repair a Sears, Roebuck and Co. engine. Such use voids this ECS Warranty and shall be sufficient grounds for disallowing an ECS Warranty claim. Sears, Roebuck and Co. shall not be liable hereunder for failures of any warranted parts of a Sears, Roebuck and Co. engine caused by the use of such an unapproved add-on or modified part.

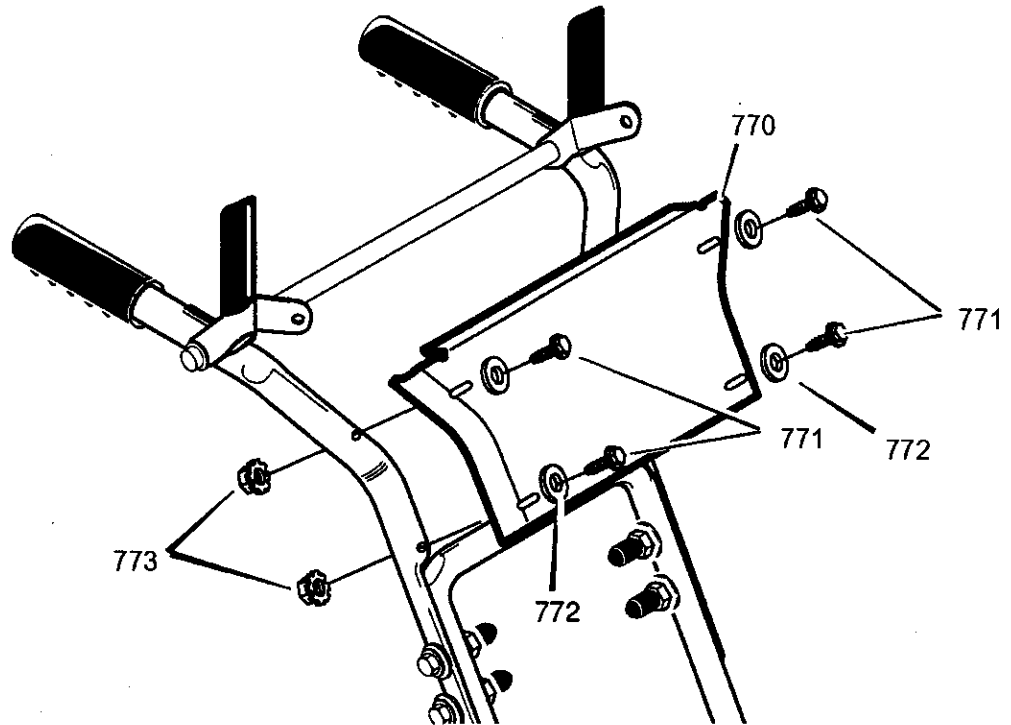
EMISSION-RELATED PARTS INCLUDE THE FOLLOWING:

1. Carburetor Assembly and its Internal Components
 - a) Fuel filter
 - b) Carburetor gaskets
 - c) Intake pipe
2. Air Cleaner Assembly
 - a) Air filter element
3. Ignition System, including:
 - a) Spark plug
 - b) Ignition module
 - c) Flywheel assembly
4. Catalytic Muffler (if so equipped)
 - a) Muffler gasket (if so equipped)
 - b) Exhaust manifold (if so equipped)
5. Crankcase Breather Assembly and its Components
 - a) Breather connection tube

10/22/99 EPA/CARB

Sears, Roebuck and Co., Hoffman Estates, IL 60179 U.S.A.

CRAFTSMAN 9.5HP SNOW THROWER 536.881951 PANEL

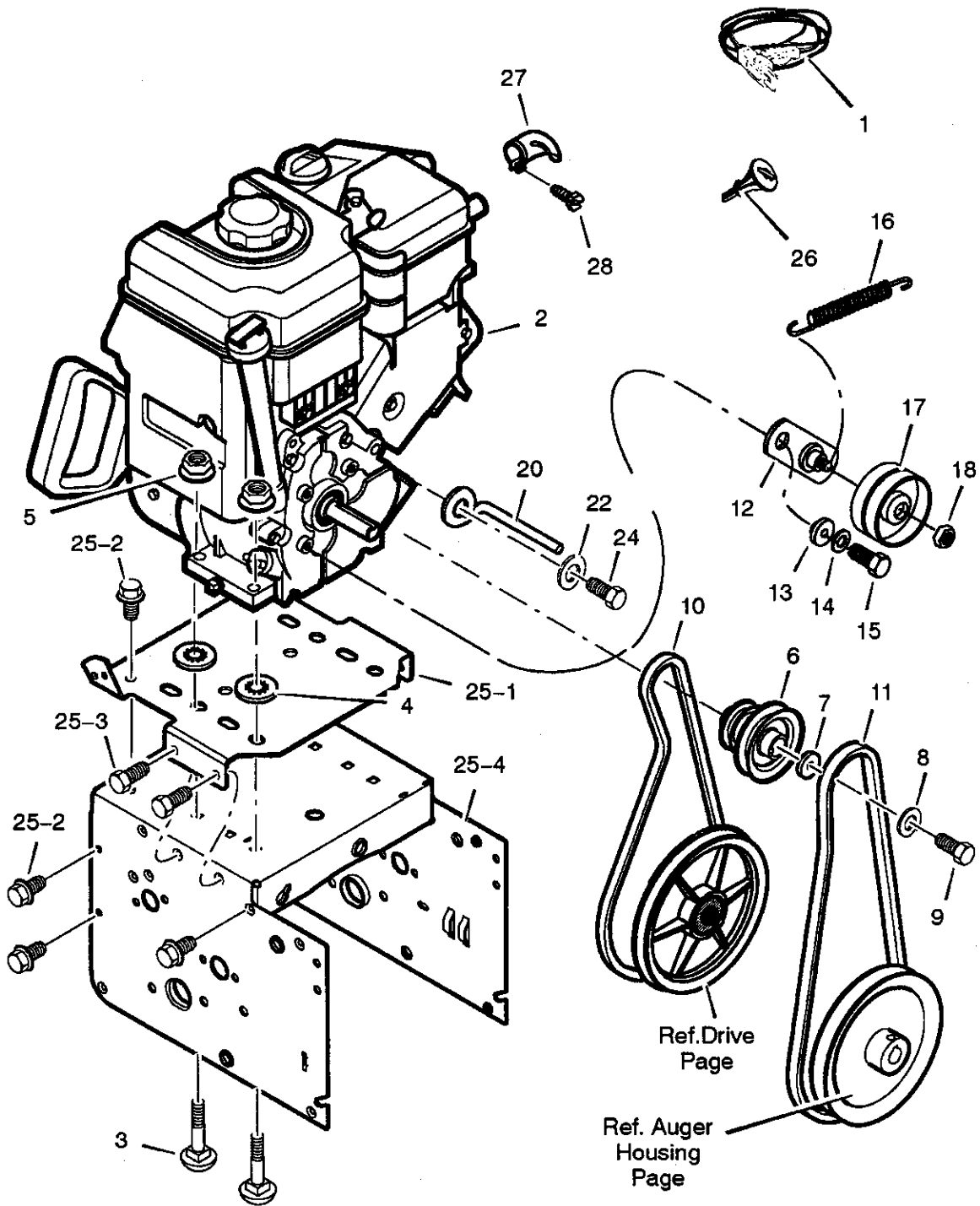


Key No.	Part No.	Description
770	1501203E549	PANEL
771	002x99	BOLT, CARRIAGE
772	71067	WASHER
773	15X145	NUT, 1/4-20 NYLOCK YZ

DECALS

Part No.	Description
48x5580	DECAL, DANGER CHUTE - HAND *
48x5286	DECAL, DANGER & FOOT *
48x5578	DECAL, DANGER STRIPE *
48x5590	DECAL, TRACTON/AUGER DRIVE - ENGAGE *
48x5626	DECAL, SPEED SELECT *
760983	DECAL, TOOL BOX - BELT COVER *
48x5613	NAMEPLATE, CRAFTSMAN *
48x5846	DECAL, 9.5/29 CRAFTSMAN *
48x5599	DECAL, CLEAN/CLEAR BRUSH *
48x5712	DECAL, OPEI *
48x5554	DECAL, ELECTRIC START *
198511	OWNER'S MANUAL, ENGLISH/SPANISH

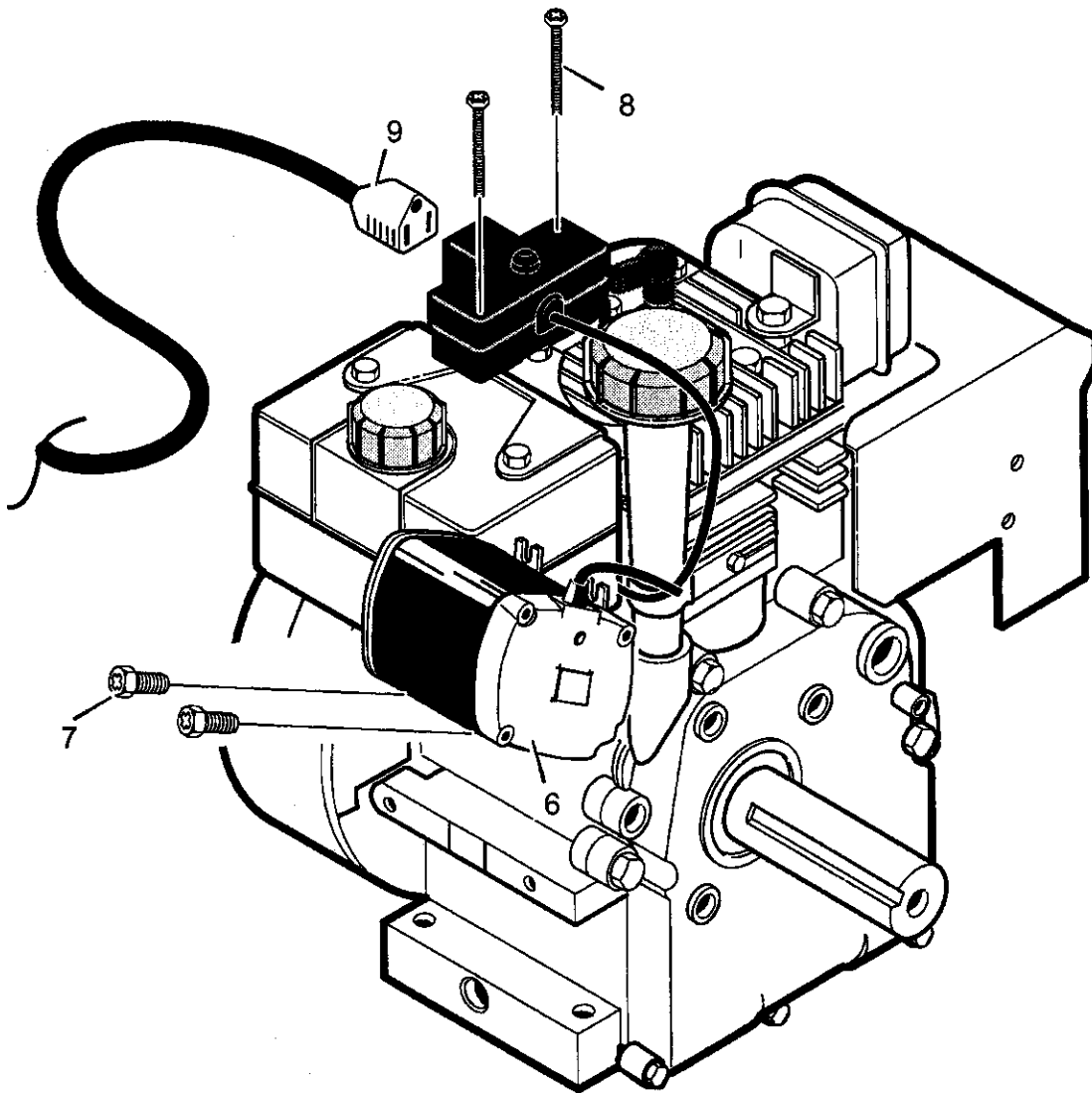
CRAFTSMAN 9.5HP SNOW THROWER 536.881951 ENGINE



CRAFTSMAN 9.5HP SNOW THROWER 536.881951 ENGINE

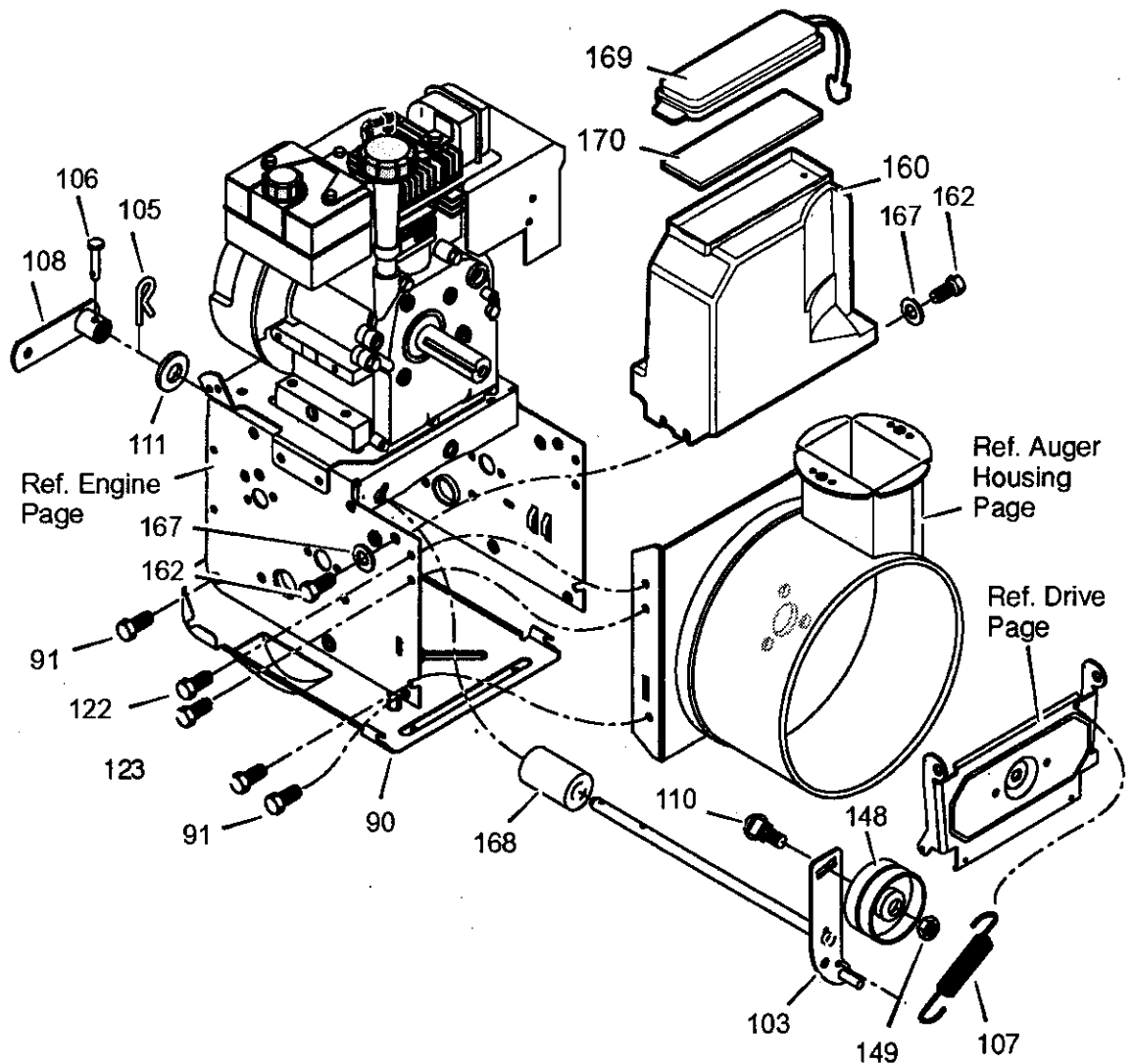
Key No.	Part No.	Description
1	6219	POWER CORD, ENGINE
2	---	ENGINE, B&S, Model Number 20A114-0363-E1 (See Breakdown)
3	002x97	BOLT, CARRIAGE 5/16-18 x 1-1/2
4	028x76	RETAINER, PUSH
5	710026	LOCKNUT, HEX 5/16-18
6	1501109	PULLEY, ENGINE
7	710247	WASHER .48ID x 1.00
8	71063	WASHER, SPLIT LOCK .38ID
9	71015	SCREW, 3/8-24 x 1.00
10	579932	BELT, V 3L 33.13LG
11	585416	BELT, V 4L 38.1MF16" 5-10
12	1501112 YZ	BRACKET ASSEMBLY, IDLER
13	1501065	BUSHING, IDLER BRACKET
14	71060	WASHER, SPLIT LOCK 5/16
15	710097	SCREW 5/16-24 x 3/4
16	53704	SPRING, IDLER TRACTION DRIVE
17	1502120	PULLEY, IDLER
18	590	NUT, HEX, JAM 3/8-16
20	1501201	GUIDE, BELT
22	71060	WASHER, SPLIT LOCK .31 x .58 x .08
24	710097	SCREW, 5/16-24 x 3/4
25	-----	FRAME ASSEMBLY
25-1	1501062E201	PLATE, ENGINE MOUNT
25-2	310169	SCREW, TAP 1/4-20 x .63
25-3	25x020	SCREW, TAP 5/16-18 x .50
25-4	1501049E201	FRAME, MOTOR BOX
26	1501214	KEY, ENGINE
27	226462	DEFLECTOR, MUFFLER
28	810140	SCREW, MUFFLER DEFLECTOR
--	198511	OWNER'S MANUAL

CRAFTSMAN 9.5HP SNOW THROWER 536.881951 ELECTRIC STARTER



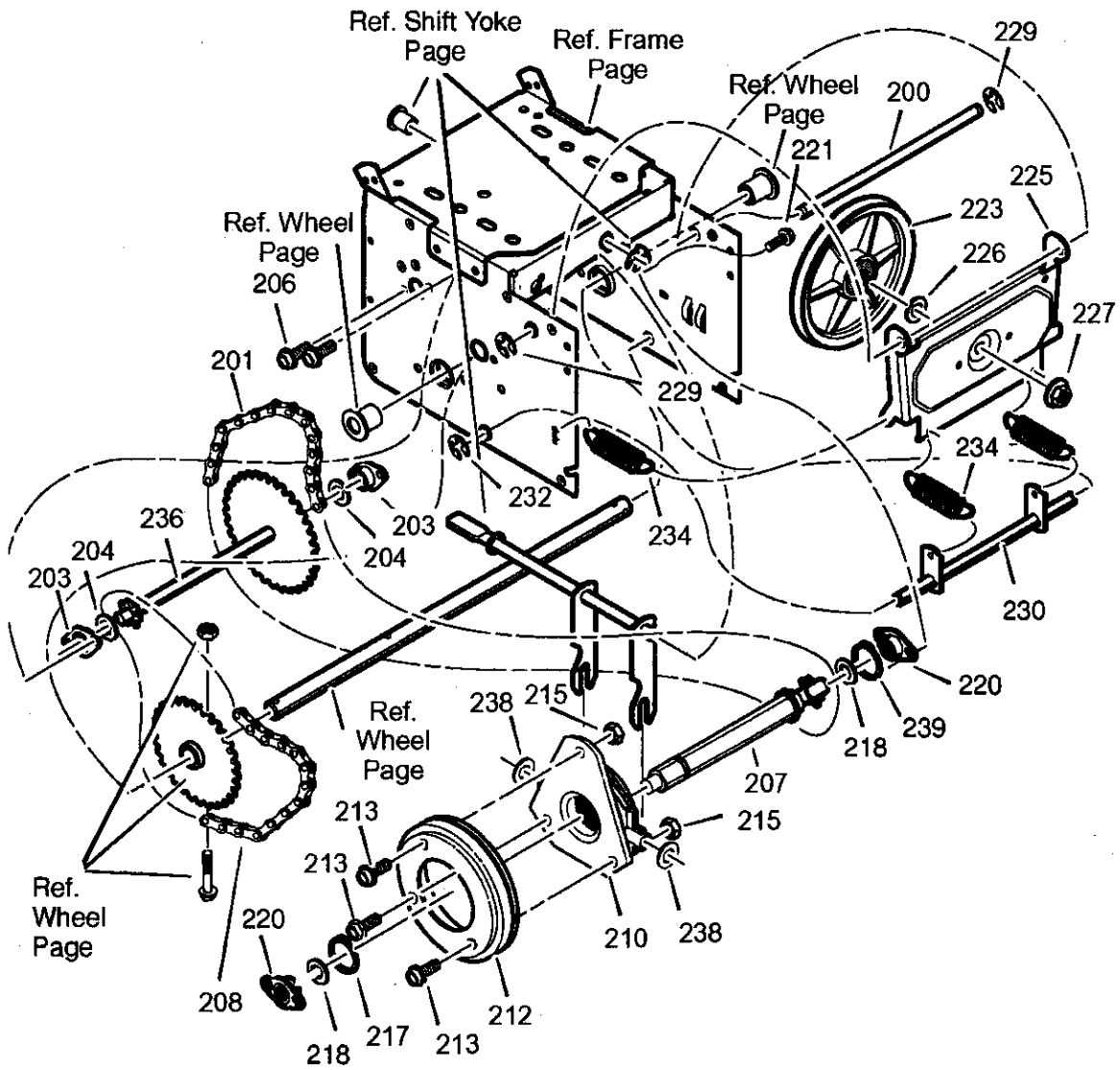
Key No.	Part No.	Description
6	6218	MOTOR, STARTER
7	6216	SCREW
8	6217	SCREW
9	6219	CORD, STARTER

CRAFTSMAN 9.5HP SNOW THROWER 536.881951 FRAME



Key No.	Part No.	Description	Key No.	Part No.	Description
90	1501055E701	COVER, BOTTOM	122	25x021	SCREW, TAPPING
91	310169	SCREW 1/4-20x.91	123	25x020	SCREW 5/16-18x1/2
103	1501226 YZ	IDLER, AUGER	148	50793	PULLEY, IDLER
105	711682	PIN, HAIR	149	590	NUT, JAM 3/8-16
106	761761	PIN, CLEVIS	160	1502167	COVER, BELT
107	165x159	SPRING, TENSION	162	26x306	SCREW 1/4-20 x 3/4
108	761675 YZ	SPRING ATTACH	166	71067	WASHER, FLAT
110	585781	BOLT, CARR.	168	1502041	SPACER
111	711617	WASHER, FLAT	169	760539	LID, TOOL BOX
			170	761187	PAD, FOAM

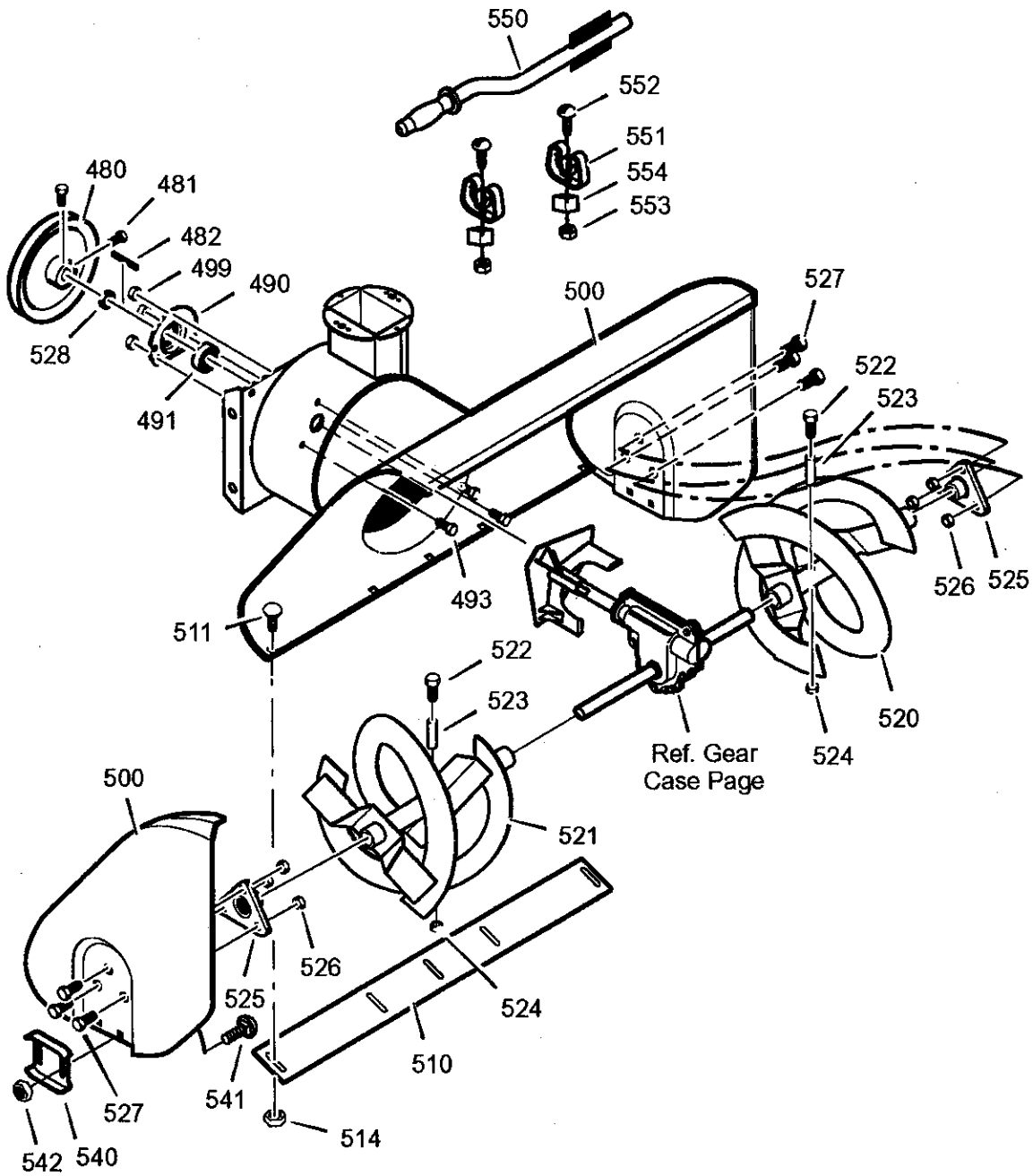
CRAFTSMAN 9.5HP SNOW THROWER 536.881951 DRIVE



CRAFTSMAN 9.5HP SNOW THROWER 536.881951 DRIVE

Key No.	Part No.	Description
200	1501092 YZ	LF AXLE, SWING PLATE YZ
201	579851	CHAIN, ROLLER #42x19.00
203	334163	BEARING AND RETAINER, ASSY
204	579858	WASHER
206	25x020	SCREW, TAP 5/16-18x0.5
207	1501100	ASSY, HEX SHAFT
208	579868	CHAIN, ROLLER #36x18.00 LG
210	337029	BEARING, TRUNION CLUTCH R
212	1501435	WHEEL, FRICTION DISC
213	001x38	SCREW, 1/4-20 x 0.63
215	303008	NUT, KEPS HEX 1/4-20
217	579859	RING, RETEXT (5100-59)
218	579858	WASHER
220	334163	BEARING AND RETAINER, ASSY
221	25x020	SCREW, TAP 5/16-18 x .5
223	1501115	ASSY, FRICTION PULLEY
225	1501057 YZ	LF PLATE, SWINGING YZ
226	1501158	SPACER, FRICTION PULLEY
227	15X114	NUT, FLANGE LOCK 3/8-24
229	11X30	RETAINER, RING (5133-43)
230	1501107 YZ	LF ASSY, SPRING LINK YZ
232	11X30	RETAINER, RING (5133-43)
234	165X112	SPRING, EXTENSION
236	1501090	WLD, INTERMED SPROCKET 33T/7
238	71074	WASHER, FLAT
239	0011X2	RETAINER, RING (5100-50)

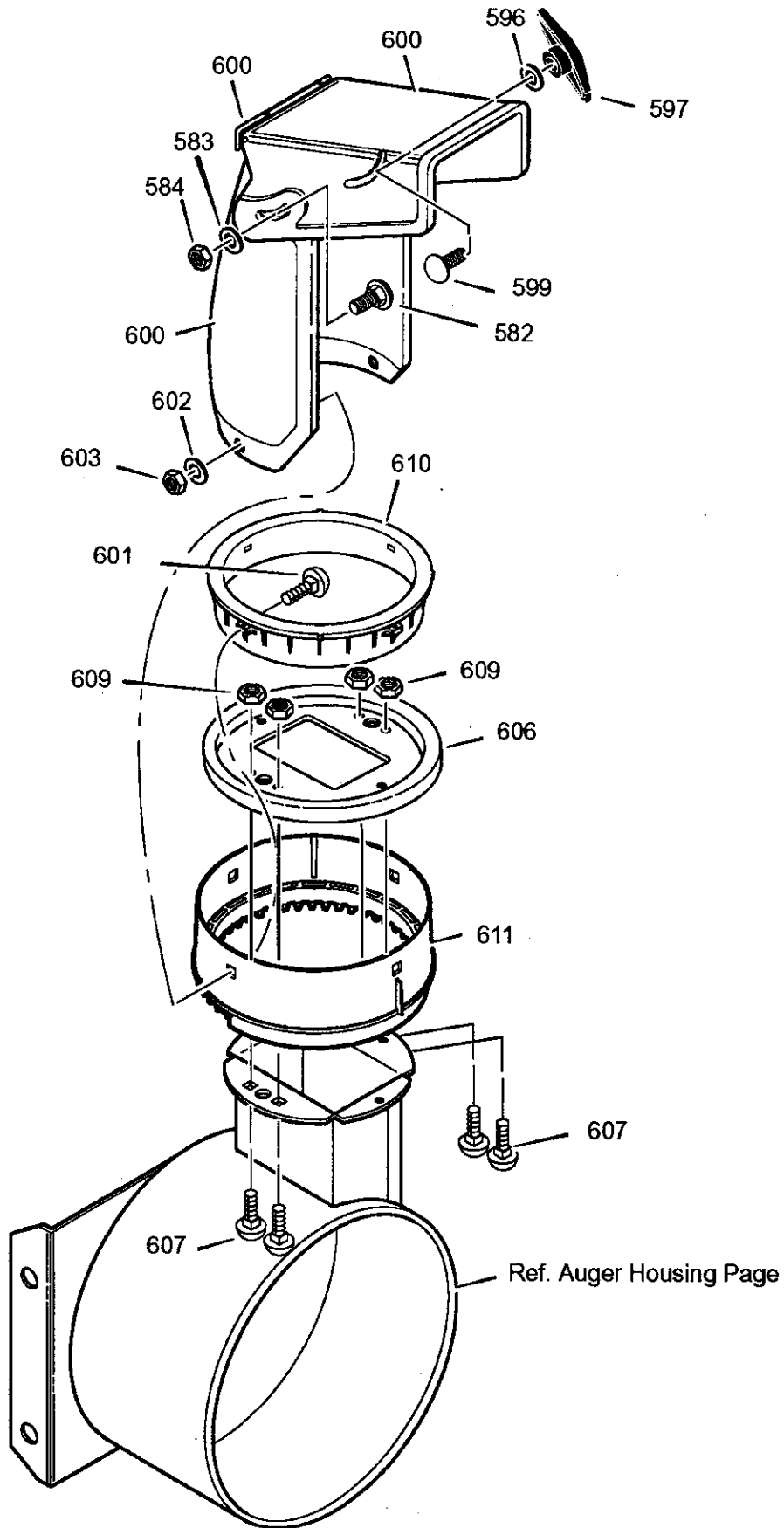
CRAFTSMAN 9.5HP SNOW THROWER 536.881951 AUGER HOUSING



CRAFTSMAN 9.5HP SNOW THROWER 536.881951 AUGER HOUSING

Key No.	Part No.	Description
480	1501211	PULLEY, V4L 8.4X .67
481	577400	SCREW, 5/16-18X.63
482	2001022	KEY, SQUARE 3/16 X 3/4
485	1501158	SPACER, FRICTION PULLEY
490	582957 YZ	RETAINER, BALL BRNG
491	1501389	BEARING, BALL
493	340720	BOLT, CARRIAGE 5/16-18 x 1/2
499	710026	NUT, 5/16-18 HEXWDFLLK
500	1501697E201	HOUSING, ASSY
510	760660E701	BLADE, SCRAPER
511	001X45	BOLT, 5/16-18 X 3/4
514	710026	NUT, 5/16-18
520	1501196E701	AUGER, ASSY, LH
521	1501197E701	AUGER, ASSY, RH
522	9524	SCREW 1/4-20 x 1-3/4
523	3943	SPACER, SLEEVE
524	73826	NUT, 1/4-20
525	9517	BEARING, FLANGE
526	711862	NUT, 5/16-18
527	9357	SCREW, 5/16-18 X 3/4
528	1501158	SPACER, FRICTION PULLEY
540	309016E701	SKID, HEIGHT ADJUST
541	908156	BOLT, 5/16-18 X .50
542	710026	NUT, 5/16-18
550	1501576	BRUSH, CLEANOUT
551	1501672	CLIP, RETAINER
552	06x115	SCREW #10-24 x 1-1/4
553	15x146	NUT, NYLOCK #10-24
554	578063	BLOCK
--	1501227	KIT, SHEAR BOLT

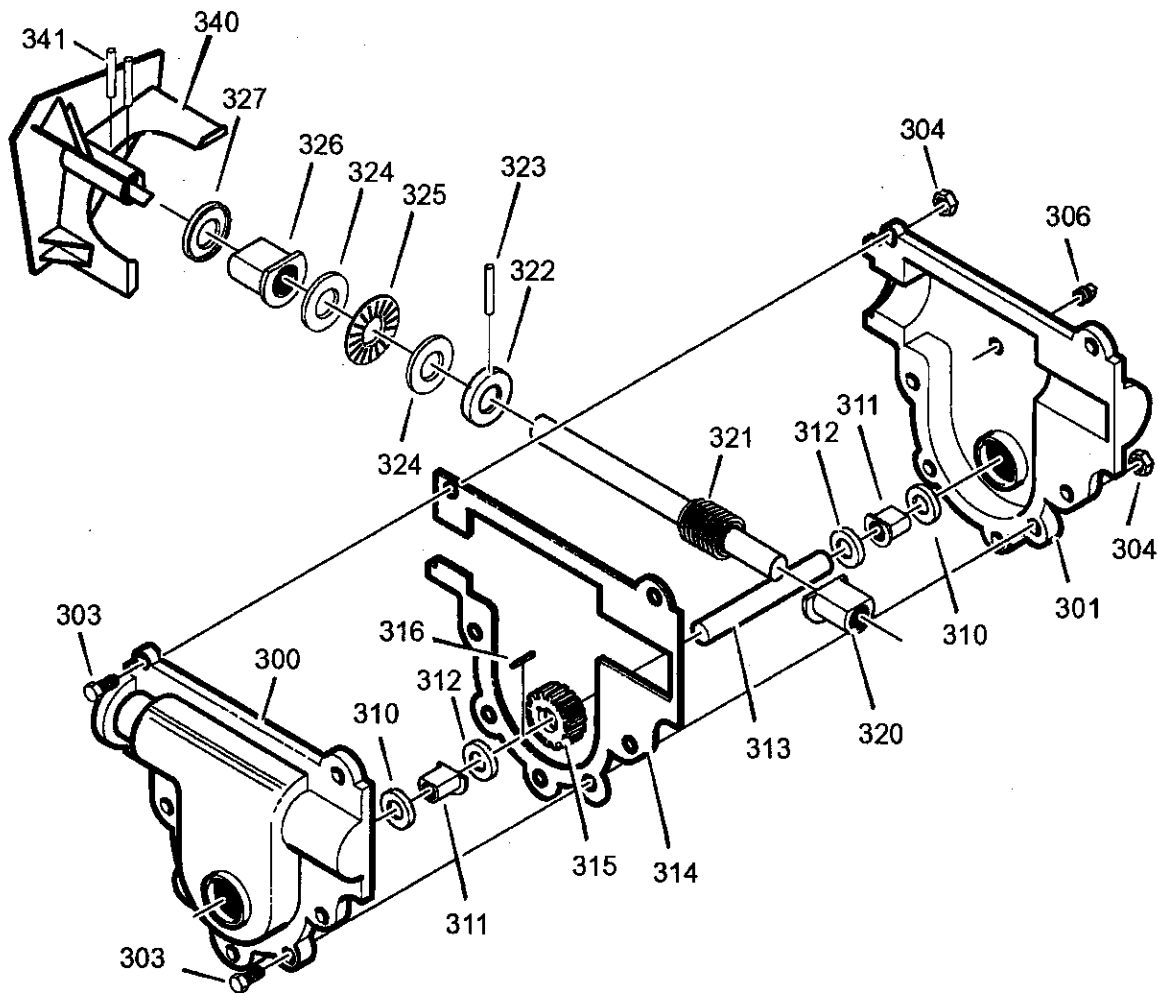
CRAFTSMAN 9.5HP SNOW THROWER 536.881951 DISCHARGE CHUTE



CRAFTSMAN 9.5HP SNOW THROWER 536.881951 DISCHARGE CHUTE

Key No.	Part No.	Description
582	2X100	BOLT, 5/16-18 X 1.00 CARG.
583	71071	WASHER, FLAT
584	71038	NUT, 5/16-18 NYLOCK
596	71071	WASHER
597	1501260	KNOB, WING 3.00
599	002x97	BOLT, 5/16-18X1.5
600	762222	CHUTE ASSEMBLY
601	2X100	BOLT, CARRIAGE 5/16-18X1
602	71071	WASHER, FLAT
603	71038	NUT, 5/16-18 HEXNYL
606	1501932 YZ	CHUTE COLLAR
607	02X101	SCREW, 1/4-20 X .75
609	15x145	NUT, 1/4-20 HEX NYLOCK
610	337227	RETAINER RING INNER
611	1501282	RETAINER RING OUTER

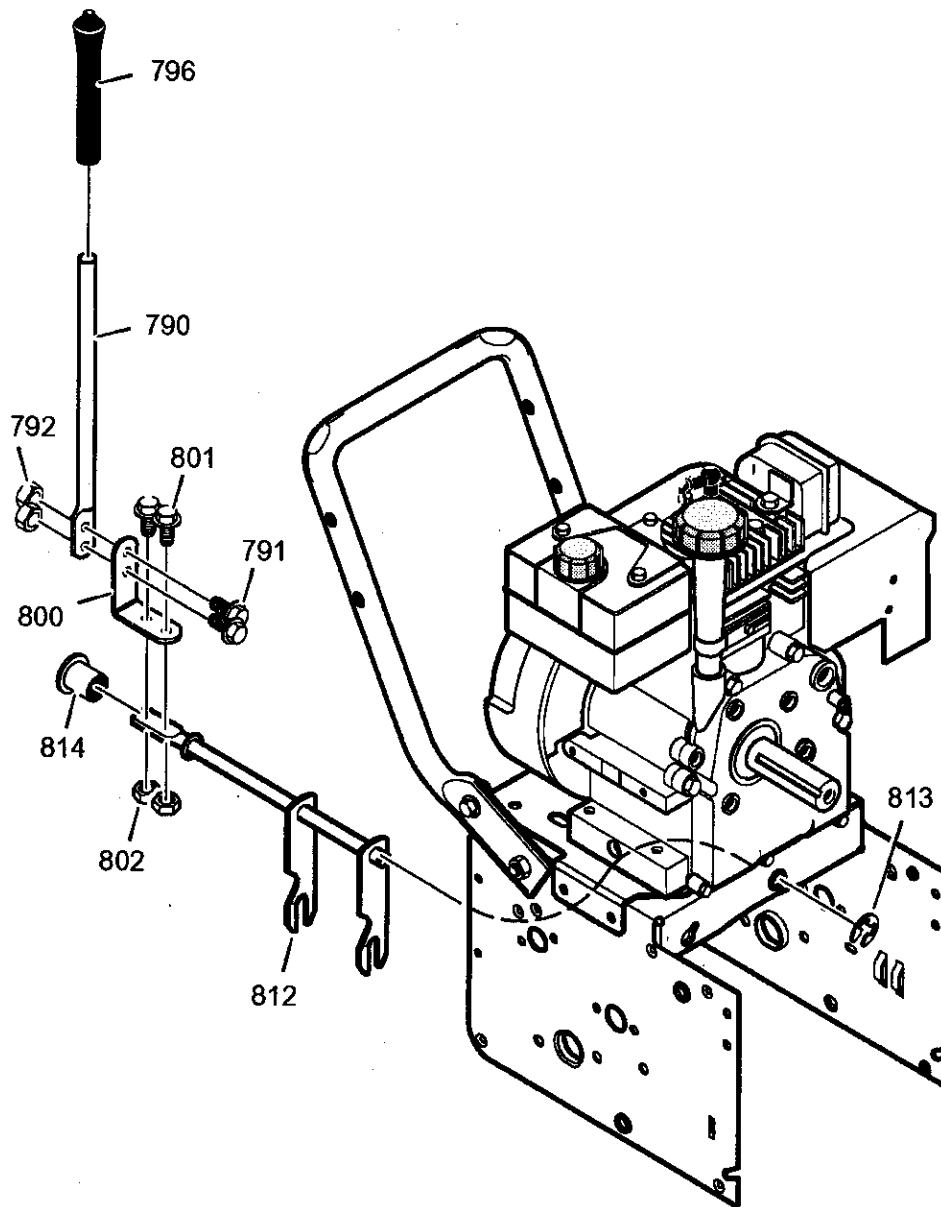
CRAFTSMAN 9.5HP SNOW THROWER 536.881951 GEAR CASE



Key No.	Part No.	Description	Key No.	Part No.	Description
300	10577	CASE, GEAR, RH	320	50221	BRNG, FL
301	10576	CASE, GEAR, LH	321	1501191	SHAFT, INPUT
303	710025	SCREW 1/4-20X3/4	322	580295	COLLAR, THRUST
304	15X143	LOCKNUT 1/4-20	323	454565	PIN, SPRING 1/4 x 1-1/4
306	9344	SCREW, PLUG	324	48275	WASHER, FLAT
310	9566	SEAL, OIL	325	50684	BRNG, ROLL
311	50304	BEARING, FL	326	50304	BRNG, FL
312	48275	WASHER, FLAT	327	9566	SEAL, OIL
313	1501190	SHAFT, OUTPUT	340	1501188E701	IMPELLER
314	51279	GASKET	341	454565	PIN, SPRING 1/4 x 1-1/4
315	51405	GEAR, WORM	*	333431	10oz GREASE
316	431787	KEY, WOODRUFF #6			

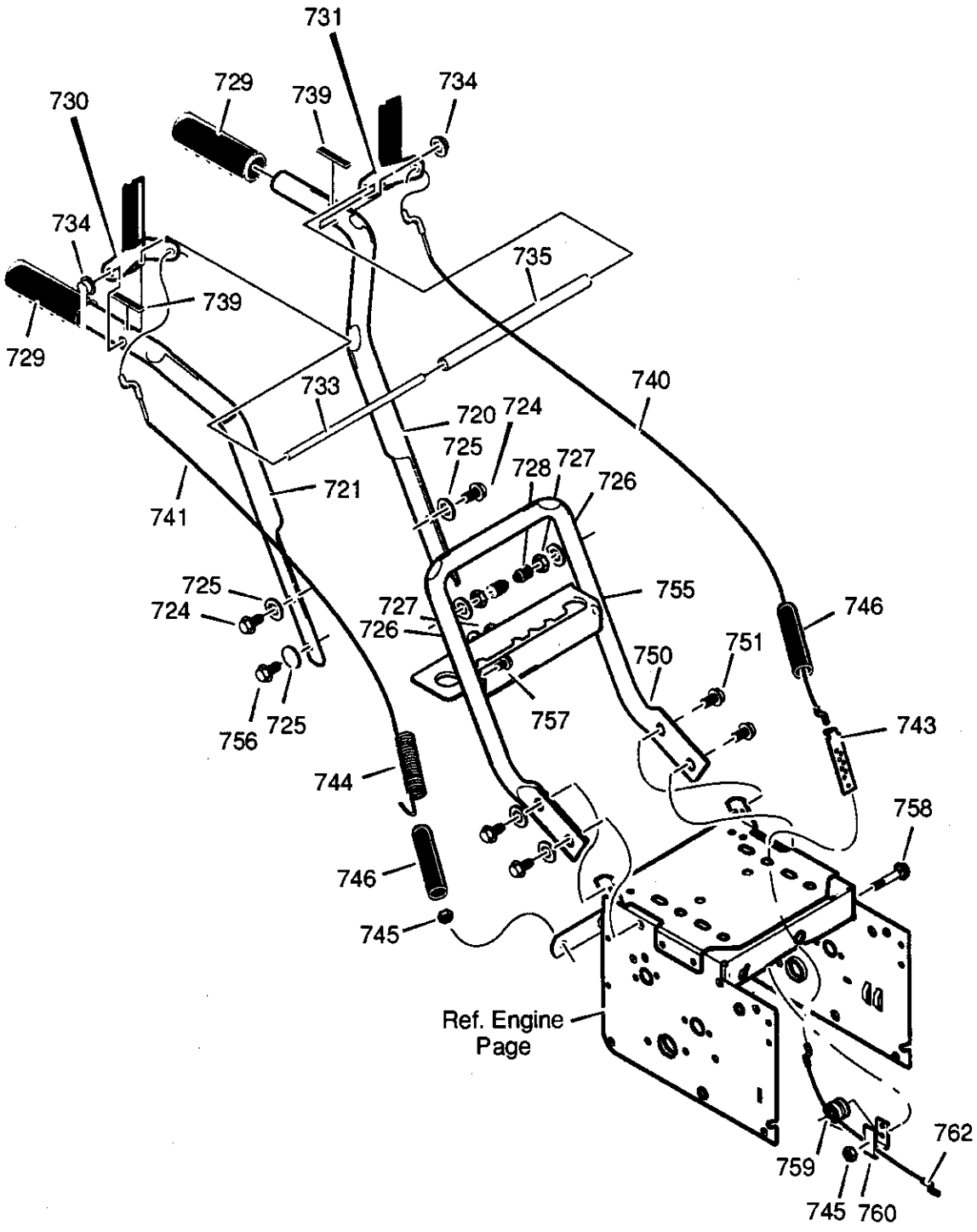
* (NOT ILLUSTRATED)

CRAFTSMAN 9.5HP SNOW THROWER 536.881951 SHIFT YOKE



Key No.	Part No.	Description
790	336702E701	ROD, SHIFT
791	302628	SCREW, 1/4-20X.75
792	73826	NUT, 1/4-20
796	331624	KNOB, SLIP
800	760564	LEVER, SPRING
801	302628	SCREW, 1/4-20X.75
802	73826	NUT, 1/4-20
812	1501085 YZ	ROD ASSY., SPEED SELECT
813	11X30	RETAINER, RING (5133-43)
814	579944	BEARING, FLANGED

CRAFTSMAN 9.5HP SNOW THROWER 536.881951 HANDLE



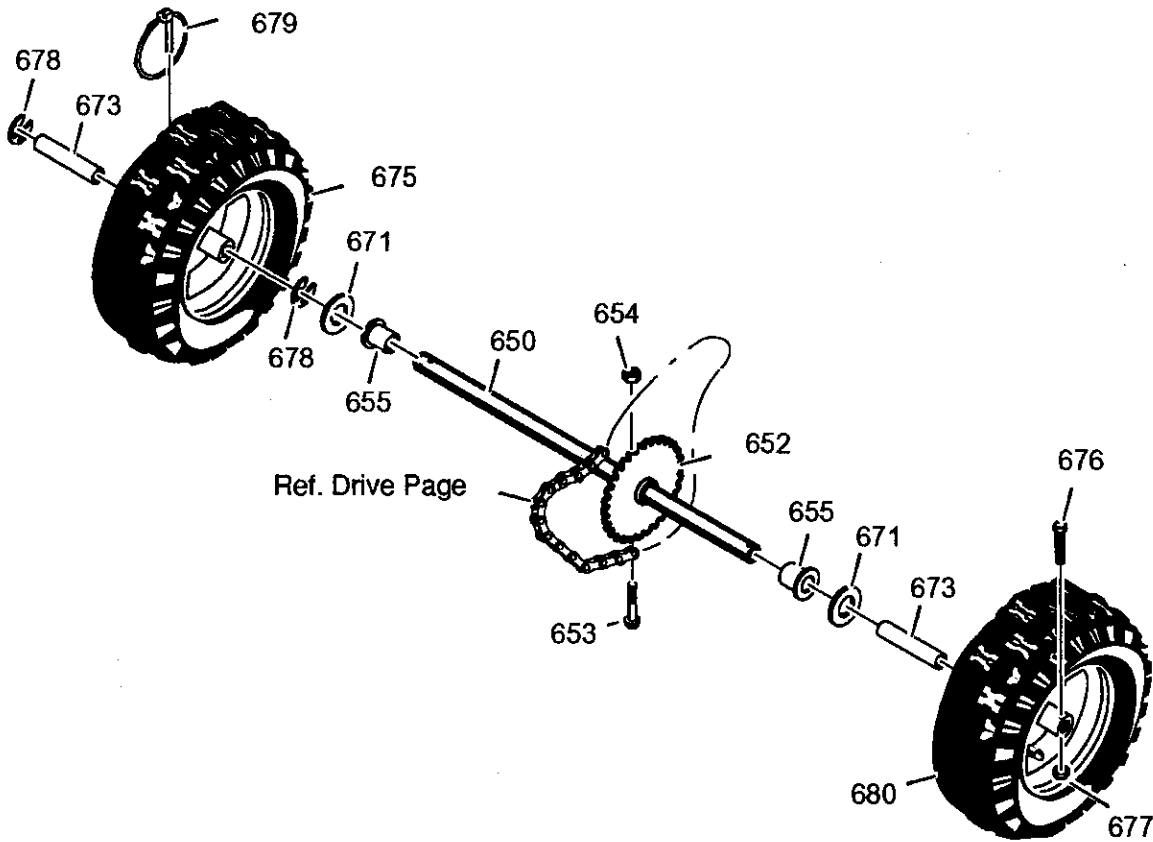
CRAFTSMAN 9.5HP SNOW THROWER 536.881951 HANDLE

Key No.	Part No.	Description
720	1501205E701	HANDLE, UPPER, LH (includes GRIP)
721	1501206E701	HANDLE, UPPER, RH (includes GRIP)
724	11234	SCREW, 5/16-18X2.75
725	71071	WASHER, FLAT
726	71060	WASHER, SPTLK .31X.58X.08
727	15x144	NUT, 5/16-18 REGHEX YZ
728	11261	STOP, RED PLASTIC
730	400114	LEVER, CLUTCH DRIVE, RH (includes GRIP)
731	400115	LEVER, CLUTCH DRIVE, LH (includes GRIP)
733	337381	ROD, PIVOT CLUTCH
734	761105	NUT, PUSH ON CAP
735	337373	SPACER-HANDLE
739	4049	BUMPER, RECTANGLE
740	1501123	CABLE, CLUTCH
741	761872	CABLE, AUGER CLUTCH
743	313441	BRACKET, CABLE ADJUSTER
744	1673	SPRING, AUGER CLUTCH
745	15x145	NUT, 1/4-20 NYLOCK YZ
746	308146	BOOT, CABLE SPRING
750	339541E701	HANDLE, LOWER
751	25x021	SCREW, TAP 5/16-18 X 0.75
755	337407E701	BRKT, GEAR SELECTOR
756	6751	SCREW, 5/16-18X2.00
757	313441	PLATE, ADJUSTING
758	001798	BOLT, HEX 1/4-20 X 1.50
759	579860	SPOOL-CABLE, AUGRT CLUTCH
760	1501059 YZ	BRACKET, CABLE SPOOL YZ
762	1501122	CABLE, LOWER DRIVE 12"

CRAFTSMAN 9.5HP SNOW THROWER 536.881951 CHUTE ROD

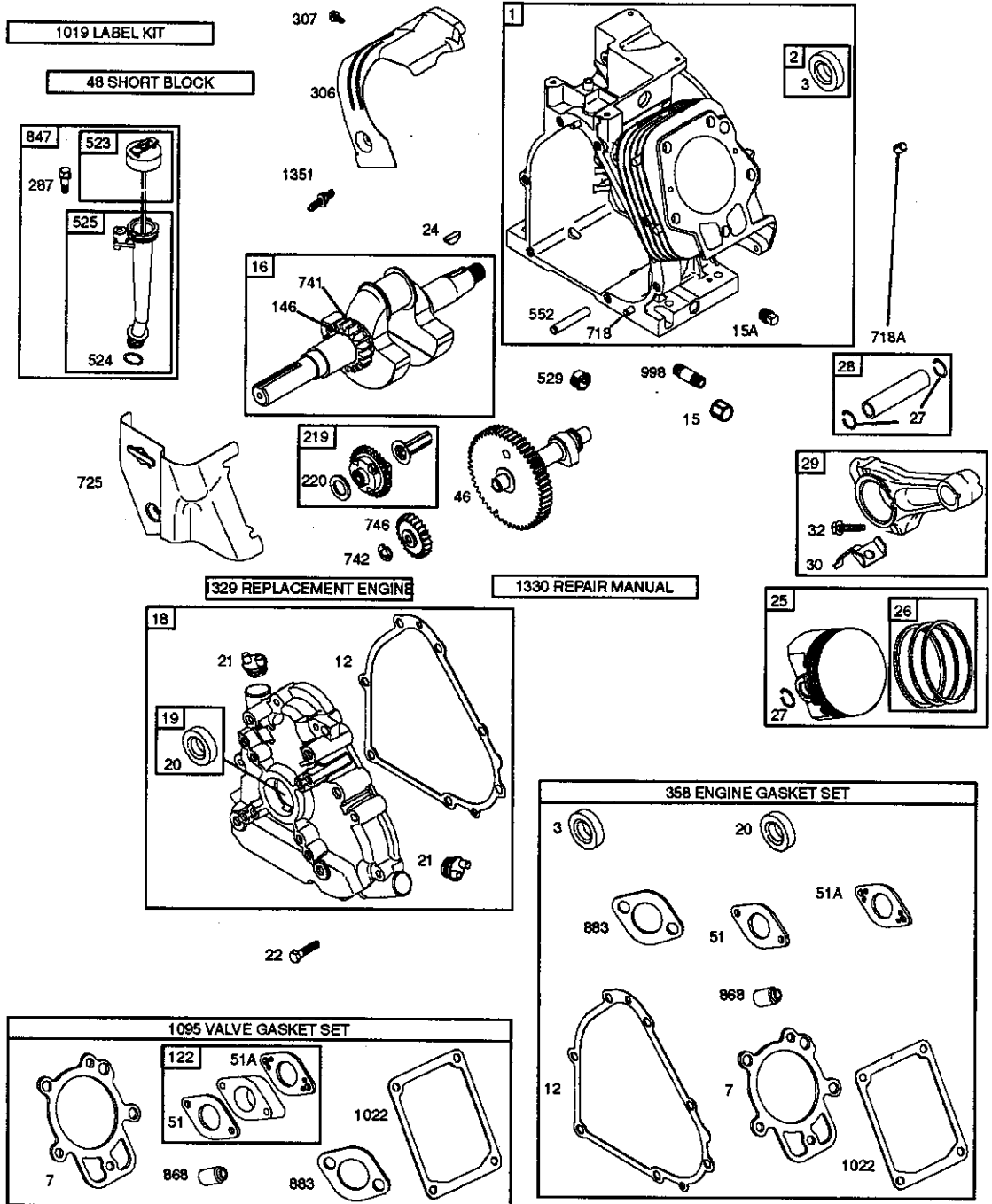
Key No.	Part No.	Description
852-1	1501309 YZ	ASSEMBLY, YOKE & ROD
852-2	164X37	WASHER, COMPRESSION SPRING
852-3	1501067	GEAR, CHUTE ROTATION 9T
852-5	579493	PIN, COTTER
852-6	1501306E701	BRACKET, GEAR MOUNT
852-7	1501293	PIN, HAIR
852-8	1501075 YZ	ASSEMBLY, YOKE ADAPTER YZ
852-9	711682	PIN, HAIR
852-10	578060	PIN, UNIVERSAL JOINT
852-11	578309	PIN, CLEVIS
852-13	578063	HOUSING, UNIVERSAL
854	51443	KNOB, CRANK
855	309312	FLATWASHER
856	73664	NUT, PUSH
860	1501456	EYE BOLT 3/8-16X6.00
861	148	GROMMET, EYE BOLT
863	71045	NUT, 3/8-16 HEXJAM
864	71072	FLATWASHER .406X.81X.066
867	71046	NUT, 3/8-16 HEXNYL
868	002X98	BOLT, CARRIAGE 1/4-20 X 1.00
869	15X145	NUT, 1/4-20 NYLOCK YZ
870	1501074 YZ	CRANK, ASSY CHUTE

CRAFTSMAN 9.5HP SNOW THROWER 536.881951 WHEELS

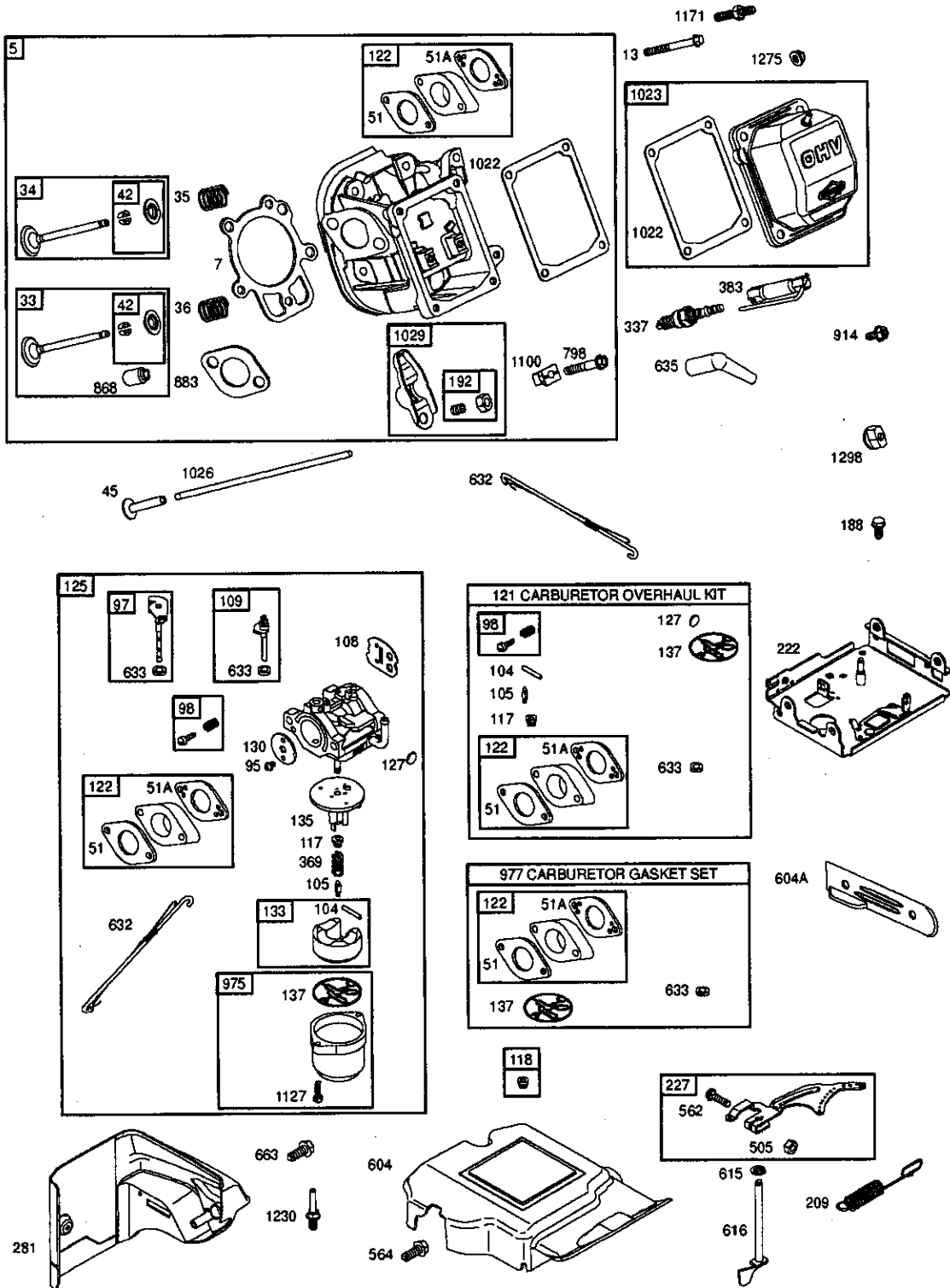


Key No.	Part No.	Description
650	1501563	SHAFT, AXLE
652	1501089	SPRKT & HUB
653	01x193	SCREW, 1/4-20 x 1.75
654	15X145	NUT, 1/4-20 HEX NYLOCK YZ
655	1501114	BEARING, AXLE
671	712120	WASHER, FLAT
673	1501138	BUSHING, WHEEL
675	1501808	TIRE & RIM -RIGHT
676	577015	SCREW, 1/4-20X1.75 HH
677	15X145	NUT, 1/4-20 HEX NYLOCK YZ
678	239	RING, RET
679	73842	PIN, KLIK .25 X 1.38 DIA
680	1501809	TIRE & RIM -LEFT

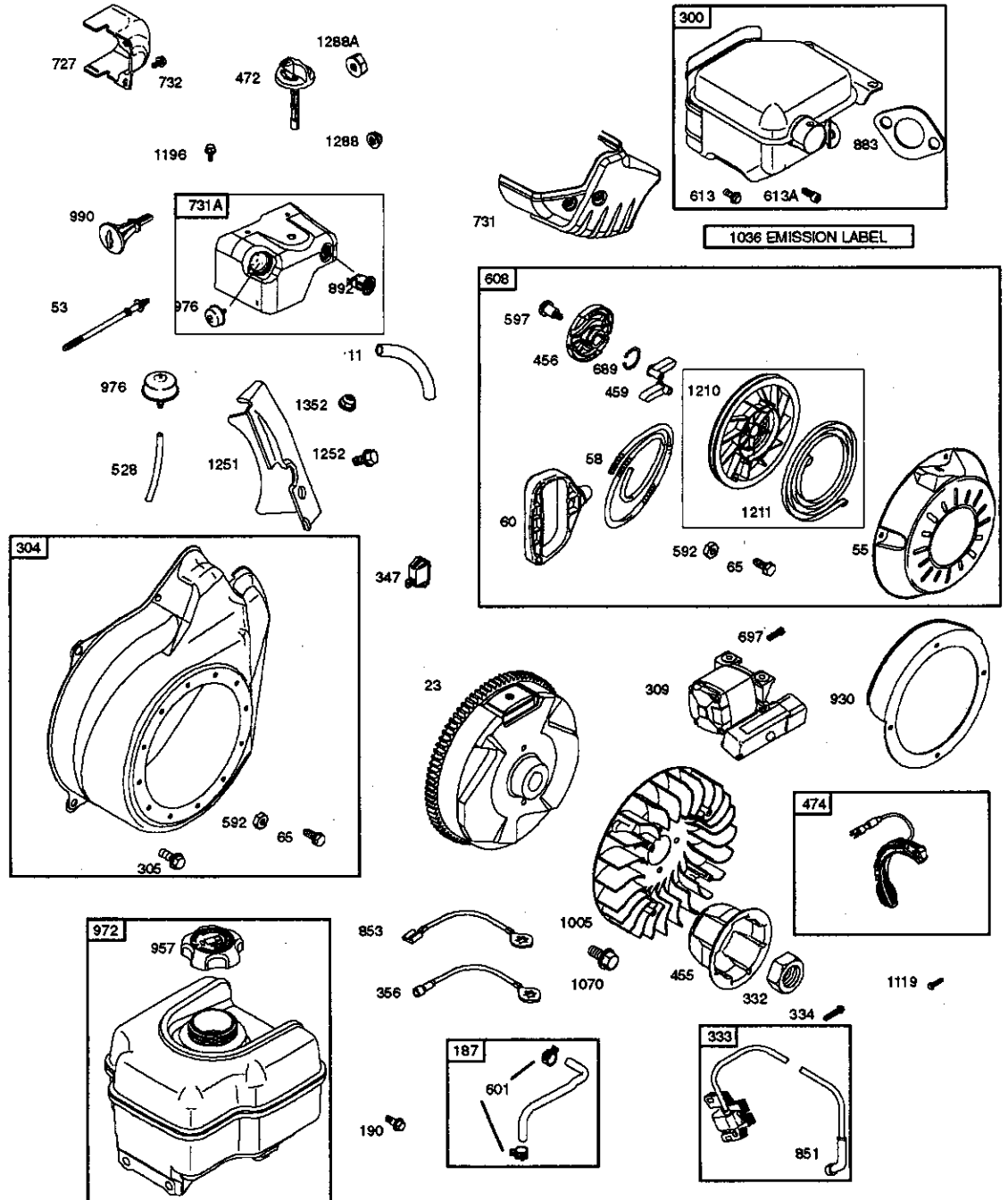
BRIGGS & STRATTON ENGINE MODEL NO. 20C214-0530-E1



BRIGGS & STRATTON ENGINE MODEL NO. 20C214-0530-E1



BRIGGS & STRATTON ENGINE MODEL NO. 20C214-0530-E1



BRIGGS & STRATTON ENGINE MODEL NO. 20C214-0530-E1

KEY PART		DESCRIPTION	KEY PART		DESCRIPTION
NO.	NO.		NO.	NO.	
1	695464	Cylinder Assembly	98	695408	Ø Kit-Idle Speed
2	698340	Kit-Bushing/Seal (Magneto Side)	104	694918	Ø Pin-Float Hinge
3	391086	• Seal-Oil (Magneto Side)	105	696136	Ø Valve-Float Needle
5	697233	Head-Cylinder	108	696736	Valve-Choke
7	694872	+ Gasket-Cylinder Head	109	696735	Shaft-Choke
11	696750	Tube-Breather	117	696134	Ø Jet-Main (Standard)
12	694953	• Gasket-Crankcase	118	696135	Ø Jet-Main (High Altitude)
13	690360	Screw (Cylinder Head)	121	696146	Kit-Carburetor Overhaul
15	695757	Plug-Oil Drain	122	694876+	Ø‡ Spacer-Carburetor
15A	691686	Plug-Oil Drain	125	696737	Carburetor
16	696412	Crankshaft	127	690727	Ø Plug-Welch
18	696914	Cover-Crankcase	130	696139	Valve-Throttle
19	698340	Kit-Bushing/Seal (PTO Side)	133	694914	Float-Carburetor
20	391086	• Seal-Oil (PTO Side)	135	696142	Tube-Fuel Transfer
21	281658	Cap-Oil Fill	137	695426	Ø‡ Gasket-Float Bowl
22	695174	Screw (Crankcase Cover/Sump)	146	690979	Key-Timing
23	695485	Flywheel	187	698080	Line-Fuel
24	222698	Key-Flywheel	188	690877	Screw (Control Bracket)
25	695457	Piston Assembly (Standard Size)	190	692127	Screw (Fuel Tank)
	695459	Piston Assembly (.020" Oversize)	192	690083	Adjuster-Rocker Arm
26	694004	Ring Set (Standard Size)	209	695491	Spring-Governor
	694008	Ring Set (.020" Oversize)	219	693578	Gear-Governor
27	690975	Lock-Piston Pin	220	691724	Washer (Governor Gear)
28	696581	Pin-Piston	222	694866	Bracket-Control
29	694691	Rod-Connecting	227	694864	Lever-Governor Control
30	694692	Dipper-Connecting Rod	281	697268	Panel-Control
32	690976	Screw (Connecting Rod)	287	691693	Screw (Dipstick Tube)
33	499596	Valve-Exhaust	300	699211	Muffler
34	697464	Valve-Intake	304	791479	Housing-Blower
35	694865	Spring-Valve (Intake)	305	691108	Screw (Blower Housing)
36	694865	Spring-Valve (Exhaust)	306	697240	Shield-Cylinder
42	499586	Keeper-Valve	307	691660	Screw (Cylinder Shield)
45	690977	Tappet-Valve	309	698112	Motor-Starter
46	790496	Camshaft	332	694685	Nut (Flywheel)
48	790841	Short Block	333	495859	Armature-Magneto
51	694874•+Ø‡	Gasket-Intake	334	691061	Screw (Magneto Armature)
51A	694875•+Ø‡	Gasket-Intake	337	691043	Plug-Spark
53	696753	Stud (Carburetor)	347	698338	Switch-Rocker
55	696710	Housing-Rewind Starter	356	692603	Wire-Stop
58	693389	Rope-Starter (Cut to Required Length)	358	695438	Gasket Set-Engine
60	695740	Grip-Starter Rope	369	695422	Spring-Float Bowl
65	697725	Screw (Rewind Starter)	383	19374	Wrench-Spark Plug
95	690718	Screw (Throttle Valve)	455	697226	Cup-Flywheel
97	696387	Shaft-Throttle	456	692299	Plate-Pawl Friction
			459	281505	Pawl-Ratchet
			472	790472	Knob-Choke Shaft
			474	791743	Alternator
			505	691251	Nut (Governor Control Lever)



BRIGGS & STRATTON ENGINE MODEL NO. 20C214-0530-E1

KEY PART NO. NO.	DESCRIPTION	KEY PART NO. NO.	DESCRIPTION
523 790477	Dipstick	976 790221	Primer-Carburetor
524 691876	Seal-O Ring (Dipstick Tube)	977 696147	Gasket Set-Carburetor
525 790478	Tube-Dipstick	990 695756	Key Set
528 696751	Hose-Primer	998 696683	Pipe-Oil
529 791822	Grommet	1005 694684	Fan-Flywheel
552 694674	Bushing-Governor Crank	1019 790459	Kit-Label
562 691119	Bolt (Governor Control Lever)	1022 690971	*+ Gasket-Rocker Cover
564 790282	Screw (Control Cover)	1023 698042	Cover-Rocker
592 690800	Nut (Rewind Starter)	1026 695177	Rod-Push
597 691696	Screw (Pawl Friction Plate)	1029 690972	Arm-Rocker
601 95162	Clamp-Hose	1036 790466	Label-Emissions
604 696758	Cover-Control	1070 691058	Screw (Flywheel Fan)
604A790473	Cover-Control	1095 695440	Gasket Set-Valve
608 699335	Starter-Rewind	1100 690973	Pivot-Rocker Arm
613 695312	Screw (Muffler)	1119 691183	Screw (Alternator)
613A696705	Screw (Muffler)	1127 695407	Screw (Float Bowl)
615 694676	Retainer-Governor Shaft	1171 696754	Stud (Rocker Arm Cover)
616 694675	Crank-Governor	1196 696692	Screw (Snow Hood)
632 695917	Spring/Link (Mechanical Governor)	1210 498144	Pulley / Spring Assembly (Pulley)
633 690998	Ø‡ Seal-Choke/Throttle Shaft	1211 498144	Pulley / Spring Assembly (Spring)
635 691909	Boot-Spark Plug	1230 696747	Stud (Control Bracket)
663 790282	Screw (Control Panel)	1251 696762	Shield-Snow
689 691855	Spring-Friction	1251A 790472	Shield-Snow
697 698113	Screw (Starter Motor)	1252 696763	Screw (Snow Shield)
718 690959	Pin-Locating	1275 696757	Nut (Rocker Cover)
718A695178	Pin-Locating	1288 696757	Nut (Snow Hood)
725 696756	Shield-Heat	1288 A698111	Nut (Snow Hood)
727 697465	Cover-Starter Drive	1298 698111	Knob-Snow Hood
731 790470	Hood-Snow	1329 20B414-0017	Replacement Engine
731A790454	Hood-Snow	1330 276355	Repair Manual
732 691097	Screw (Starter Drive Cover)	1351 790017	Stud (Cylinder Shield)
741 691288	Gear-Timing	1352 790026	Nut (Spark Plug Shield)
742 692564	Retainer-E Ring		
746 694679	Gear-Idler		
798 697890	Screw (Rocker Cover)		
847 790476	Dipstick/Tube Assembly		
851 692424	Terminal-Spark Plug		
868 690968	*+ Seal-Valve		
883 695398	*+ Gasket-Exhaust		
892 696749	Switch-Key		
914 693732	Screw (Rocker Cover)		
930 696709	Guard-Rewind		
957 694261	Cap-Fuel		
972 694260	Tank-Fuel		
975 696138	Bowl-Float		

• Included in Engine Gasket Set
(Key Number 358)

Ø Included in Carburetor Overhaul Kit
(Key Number 121)

‡ Included in Carburetor Gasket Set
(Key Number 977)

+ Included in Valve Gasket Set
(Key Number 1095)

NOTE: All component dimensions given in
U.S. inches. 1 inch = 25.4 mm



CONTENIDO

PIEZAS DE REPUESTO	33	OPERACIÓN	65
PIEZAS DE REPUESTO MOTOR	51	MANTENIMIENTO	71
GARANTÍA	56	SERVICIO Y AJUSTES	73
REGLAS DE SEGURIDAD	56	ALMACENAMIENTO	83
SÍMBOLOS INTERNACIONALES	59	TABLA DE LOCALIZACIÓN Y REPARACIÓN DE AVERÍAS	84
ENSAMBLAJE	61	PEDIDO DE PIEZAS/SERVICIO	88

GARANTÍA

GARANTÍA LIMITADA DE DOS AÑOS PARA EL QUITANIEVES CRAFTSMAN

Durante dos años a partir de la fecha de compra, siempre que a este quitanieves Craftsman se le dé mantenimiento, lubricación y afinamiento de acuerdo con las instrucciones de operación y mantenimiento presentadas en el manual del usuario, Sears reparará, sin cargo alguno, cualquier defecto en material y mano de obra.

Si este quitanieves Craftsman es usado con propósitos comerciales o de arrendamiento, esta garantía será válida solamente por 90 días a partir de la fecha de compra.

Esta garantía no cubre lo siguiente:

- Elementos de desgaste normal, tales como bujías, correas de transmisión y pasadores de seguridad.
- Reparaciones necesarias debido al abuso o negligencia del operador, incluyendo varillas dobladas y otras reparaciones necesarias por falta del mantenimiento a la unidad según lo recomendado en las instrucciones contenidas en el manual del propietario.

EL SERVICIO DE GARANTÍA SE PUEDE OBTENER LLEVANDO EL QUITANIEVES AL CENTRO DE SERVICIO SEARS MÁS CERCANO EN LOS ESTADOS UNIDOS. ESTA GARANTÍA ES VÁLIDA SÓLO CUANDO ESTE PRODUCTO ES USADO EN LOS ESTADOS UNIDOS.

Esta garantía le otorga derechos legales específicos, y asimismo es posible que tenga otros derechos los cuales varían de un estado a otro.

Sears, Roebuck and Co., D817WA, Hoffman Estates, IL 60179

REGLAS DE SEGURIDAD



Preste atención a este símbolo, le indica precauciones de seguridad importantes. Significa--**¡¡¡ATENCIÓN!!! ¡¡¡ESTÉ ALERTA!!!** Se trata de su seguridad.

ADVERTENCIA

Las emanaciones de escape producidas por este motor y ciertos componentes de esta máquina contienen químicos reconocidos por el Estado de California como carcinógenos, también pueden producir defectos en los recién nacidos o causar otros daños al sistema reproductivo.

Los bornes, terminales y accesorios relacionados con la batería contienen plomo y compuestos del plomo, además de sustancias químicas que el Estado de California reconoce que estos compuestos pueden causar cáncer y defectos como carcinógenos, además estas sustancias pueden producir daños congénitos, a los bebés y además de otros daños al sistema reproductivo humano. **DEBE LAVARSE MUY BIEN LAS MANOS DESPUÉS DE MANIPULAR ESTOS COMPONENTES.**



ADVERTENCIA:

Siempre desconecte el cable de la bujía y colóquelo alejado de ésta para prevenir un arranque accidental durante la preparación mantenimiento o almacenamiento del quitanieves.

IMPORTANTE: Para prevenir lesiones, las normas de seguridad exigen controles en la unidad que sólo puedan ser manejados en presencia del operador. Su quitanieves está equipado con dichos controles. Por ningún motivo intente pasar por alto la función del control en presencia del operador.

CAPACITACIÓN

1. Lea con atención las instrucciones en el manual de operación y servicio. Familiarícese completamente con los controles y el uso apropiado del quitanieves. Aprenda a detener el quitanieves y a desenganchar rápidamente los controles.
2. Nunca permita a niños operar el quitanieves. Nunca permita que adultos operen el quitanieves sin la instrucción apropiada.
3. Mantenga el área libre de personas, especialmente niños pequeños y mascotas.
4. Tenga mucho cuidado para evitar resbalones o caídas, especialmente cuando esté retrocediendo.

PREPARACIÓN

1. Inspeccione completamente el área donde se usará el quitanieves y retire todas las esteras, trineos, tableros, cables, y otros objetos extraños.
2. Desenganche todos los embragues antes de hacer arrancar el motor.
3. No opere el quitanieves sin vestir prendas de invierno adecuadas para trabajar a la intemperie. Vista calzado que le dé buena tracción sobre superficies resbalosas.
4. Maneje el combustible con cuidado; éste es altamente inflamable.
 - (a) Use un contenedor aprobado para combustible.
 - (b) Nunca quite la tapa del tanque de combustible ni añada combustible a un motor en marcha o a un motor caliente.
 - (c) Llene el tanque de combustible al aire libre y con mucho cuidado. Nunca llene el tanque en un recinto cerrado.
 - (d) Vuelva a colocar la tapa del tanque de combustible de manera segura, y limpie el combustible derramado.
 - (e) Nunca almacene combustible o el quitanieves con combustible en el tanque dentro de un edificio donde los vapores pudiesen alcanzar alguna llama abierta o chispas.
 - (f) Verifique que el quitanieves tenga suficiente combustible antes de cada uso, y deje un espacio adicional en el tanque puesto que el calor del motor

y/o del sol hace que el combustible se expanda.

5. Para todos los quitanieves con motores de arranque eléctrico, use cables de extensión con certificación CSA/UL. Use solamente tomacorrientes que hayan sido instalados de acuerdo con los reglamentos de inspección locales.
6. Jamás intente efectuar ningún ajuste mientras el motor se encuentra en marcha (excepto cuando el fabricante lo recomiende así específicamente).
7. Permita que el motor y el quitanieves se ajusten a las temperaturas exteriores antes de comenzar a despejar la nieve.
8. Siempre use gafas de seguridad o protectores para los ojos durante la operación o mientras efectúa algún ajuste o reparación a la unidad, para proteger sus ojos de objetos extraños que pudiesen ser lanzados por el quitanieves.

OPERACIÓN

1. No opere este quitanieves si está tomando medicinas que puedan causar somnolencia o afectar su habilidad para operar el quitanieves.
2. No use el quitanieves si por motivos emocionales o físicos se le dificulta manejarlo de forma segura.
3. No coloque las manos o los pies cerca o debajo de piezas en movimiento. Manténgase en todo momento a buena distancia de la abertura del tubo de descarga.
4. Tenga mucho cuidado al operar el quitanieves en o a través de entradas de autos, senderos o caminos de grava. Manténgase alerta de peligros ocultos o tráfico.
5. Si golpea un objeto extraño, pare el motor, desconecte el cable de la bujía, inspeccione meticulosamente el quitanieves por si hubiera algún daño, y repárelo antes de arrancar el motor y operar el quitanieves nuevamente.
6. Si el quitanieves comienza a vibrar de manera excesiva, pare el motor y revíselo inmediatamente para encontrar la causa. Generalmente, la vibración es una advertencia de algún problema.
7. Pare el motor cuando deje la posición de operación, antes de desobstruir el alojamiento de la barrena/propulsor o el tubo de descarga, y cuando efectúe cualquier reparación, ajuste o inspección.

8. Cuando limpie, repare o inspeccione el quitanieves, asegúrese de que la barrena/propulsor y todas las partes móviles se encuentren detenidas, y que todos los controles estén desenganchados. Desconecte el cable de la bujía y manténgalo alejado de la bujía para evitar un arranque accidental.
9. Tome todas las precauciones posibles al dejar el quitanieves desatendido. Desenganche la barrena/propulsor, pare el motor y retire la llave.
10. No haga arrancar el motor en recintos cerrados, excepto para arrancar y para transportar el quitanieves hacia adentro o hacia afuera del recinto. Abra las puertas que dan al exterior; los vapores de escape son peligrosos (contienen MONÓXIDO DE CARBONO, un GAS INODORO y LETAL).
11. No use el quitanieves para limpiar áreas de terreno inclinadas (cuestas, pendientes). Tenga mucho cuidado cuando cambie de dirección. No intente limpiar pendientes muy pronunciadas.
12. Nunca opere el quitanieves sin que los resguardos, placas u otros dispositivos de seguridad se encuentren en su lugar.
13. Nunca opere el quitanieves cerca de escaparates de vidrio, automóviles, vidrieras, sitios de carga/descarga, y similares, sin el ajuste apropiado del ángulo de descarga de la nieve. Mantenga a los niños y las mascotas alejados del área que está despejando.
14. No sobrecargue la capacidad del quitanieves al intentar limpiar la nieve a una velocidad demasiado rápida.
15. Nunca opere el quitanieves a altas velocidades de transporte sobre superficies resbalosas. Mire hacia atrás y tenga cuidado al retroceder.
16. Nunca descargue directamente hacia espectadores ni permita a nadie frente al quitanieves.
17. Desenganche la fuerza motriz de la barrena/propulsor cuando el quitanieves sea transportado o no esté en uso.
18. Utilice únicamente aditamentos y accesorios aprobados por el fabricante del quitanieves (tales como cadenas para las

ruedas, juegos de arranque eléctrico, etc.).

19. Nunca opere el quitanieves sin tener buena visibilidad o iluminación. Asegúrese siempre que tiene buena estabilidad, y sujete con firmeza el mango. Camine; nunca corra.
20. No trate de alcanzar áreas difíciles. Mantenga la estabilidad y el balance en todo momento.
21. No trate de usar el quitanieves para limpiar techos.

MANTENIMIENTO Y ALMACENAMIENTO

1. Revise los pernos con frecuencia para asegurar que estén bien apretados y que el quitanieves esté en condiciones seguras de funcionamiento.
2. Nunca guarde el quitanieves con combustible en el tanque dentro de un recinto donde hubieran fuentes de ignición tales como calentadores de agua y estufas, secadoras de ropa, y similares. Permita que el motor se enfríe antes de guardar el quitanieves en cualquier recinto.
3. Si va a almacenar el quitanieves por un período prolongado, siempre consulte las instrucciones del manual del operador donde encontrará consejos importantes.
4. Mantenga o reemplace las etiquetas de seguridad e instrucciones, según sea necesario.
5. Mantenga el quitanieves en marcha unos cuantos minutos después de despejar la nieve, para evitar que se congele la barrena/propulsor.



ADVERTENCIA: Este quitanieves es para uso en aceras, entradas de auto y otras superficies de terreno planas. Se debe tener cuidado al usar el quitanieves en superficies inclinadas. **NO USE EL QUITANIEVES EN SUPERFICIES SOBRE EL NIVEL DEL SUELO** tales como techos de residencias, de garajes, porches u otras estructuras o construcciones similares.

SÍMBOLOS

IMPORTANTE: Muchos de estos símbolos están colocados en su quitanieves o están impresos en los manuales que vienen con el producto. Antes de operar el quitanieves aprenda y comprenda el objetivo de cada símbolo.

SÍMBOLOS DE CONTROL Y OPERACIÓN



Despacio



Rápido



Arranque eléctrico



Arranque de motor



Motor en marcha



Motor apagado



Apagado



Encendido



Ahogador
desactivado



Ahogador
activado



Neutro



Acelerador



Botón cebador



Llave de encendido



Ignición
desactivada



Ignición
activada



Embrague
de propulsión



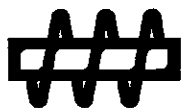
Avance



Marcha atrás



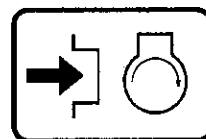
Embrague
de barrena



Colector
de barrena



Enganchar



Oprima para accionar
el arranque eléctrico.



Transmisión

SÍMBOLOS DE CONTROL Y OPERACIÓN

Combustible



Aceite



Mezcla de combustible
y aceite



Descarga hacia
ABAJO



Descarga hacia
ARRIBA



Descarga hacia la
IZQUIERDA



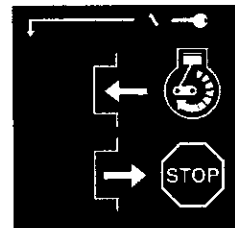
Descarga hacia la
DERECHA



Transferencia de peso
Levante el mango
para enganchar.



Transferencia de peso
Presione el pedal
para desenganchar.

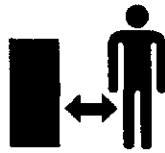


Llave de encendido
Insertar para marcha,
Retirar para parar.

Símbolos de advertencia de seguridad



PELIGRO
Objetos lanzados.
Mantenga alejados a
los transeúntes.



PELIGRO
Objetos lanzados.
Mantenga alejados a
los transeúntes.



ADVERTENCIA



IMPORTANTE
Lea el manual del
propietario antes de
operar esta máquina.



PELIGRO
Evite las lesiones que puede
causar la barrena rotatoria.
Mantenga las manos, los pies y
la ropa fuera de su alcance.



PELIGRO
Pare el motor
antes de desatascar
el tubo de descarga.



ADVERTENCIA
Superficie caliente



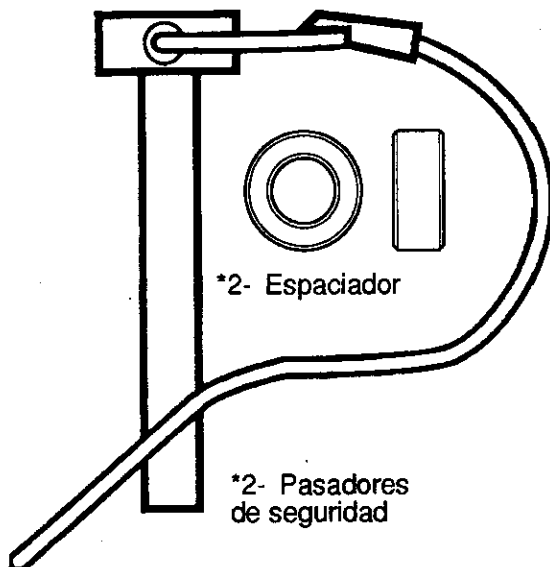
PARE

ENSAMBLAJE

CONTENIDO DE LA BOLSA DE PARTES (TAMAÑO REAL)

- 1 - Manual del Propietario (no se muestra)
- 1 - Paquete de estabilizador de combustible (no se muestra)
- 1 - Tarjeta de garantía (no se muestra)

*Las partes que no necesitan ensamblado se encuentran en la caja de herramientas ubicada en la cubierta de la correa.



PARTES QUE VIENEN EMPAQUETADAS EN FORMA SEPARADA EN LA CAJA DE CARTON (NO SE MUESTRAN EN SU TAMAÑO REAL)



2- Llaves de ignición (Adjuntas a motor en bolsa plástica)



ADVERTENCIA: Siempre use gafas de seguridad o protectores para los ojos mientras ensambla el quitanieves.

HERRAMIENTAS NECESARIAS

- 1 Navaja para cortar cartón
- 2 Llave de tuercas de 1/2 plg (o llave de tuercas ajustable)
- 2 Llave de tuercas de 9/16 plg (o llave de tuercas ajustable)
- 2 Llave de tuercas de 3/4 plg (o llave de tuercas ajustable)
- 1 Alicata (para abrir las patas del pasador de chaveta)
- 1 Destornillador
- 1 Cinta o regla para medir

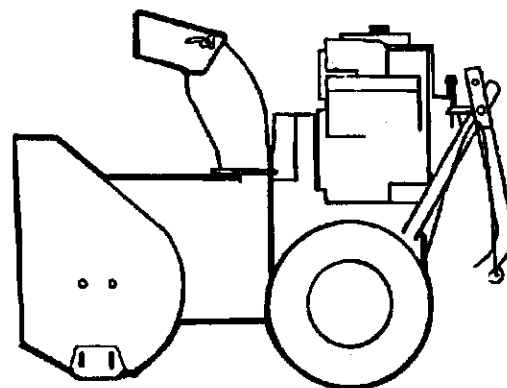


Figura 47

La Figura 47 muestra el quitanieves en posición de envío.

La Figura 48 muestra el quitanieves completamente ensamblado.

La referencia a los lados izquierdo y derecho del quitanieves se hace desde la posición del operador cuando éste se encuentra detrás de la unidad.

ENSAMBLAJE

CÓMO SACAR EL QUITANIEVES DE LA CAJA

1. Ubique todas las piezas que vienen empaquetadas por separado y sáquelas de la caja.
NOTA: Coloque el estabilizador de combustible en un lugar seguro hasta que lo necesite para guardar la unidad.
2. Quite y deseche el material de empaque que rodea la unidad.
3. Haga un corte de arriba hacia abajo en cada esquina de la caja y deje los paneles sobre el suelo.
4. Corte las tiras que sujetan el eje a la plataforma de envío.
5. Para propósitos de envío, los **patines de ajuste de altura**, van sujetos a la plataforma de envío. Saque el **tornillo** que sujeta cada **patín** a la plataforma. Vea la Figura 48.
6. Agarre el quitanieves por el mango y jale para sacarlo de la plataforma.
PRECAUCIÓN: NO retroceda sobre los cables de control.
7. Quite el material de empaque del conjunto de los mangos.

8. Corte los amarres que sujetan el cable de control del embrague al mango inferior, y colóquelo alejados del bastidor del motor.

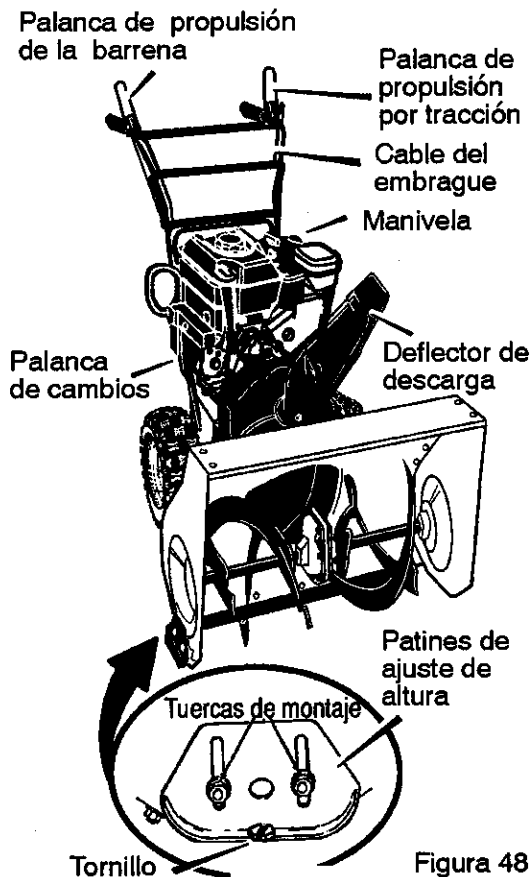


Figura 48

CÓMO ENSAMBLAR EL MANGO Y EL CONJUNTO DE LA MANIVELA

1. Corte los amarres que sujetan la palanca de cambios al mango inferior y mueva la palanca a la primera velocidad de avance.
2. Corte y deseche el amarre de plástico que sujeta el conjunto de la manivela.
3. Afloje pero no quite los tornillos, arandelas planas, arandelas de seguridad y tuercas hexagonales que se encuentran en los agujeros superiores del mango inferior. Vea la Figura 49.
4. Retire los sujetadores y el perno de anilla de los agujeros inferiores del mango inferior. Vea la Figura 51.

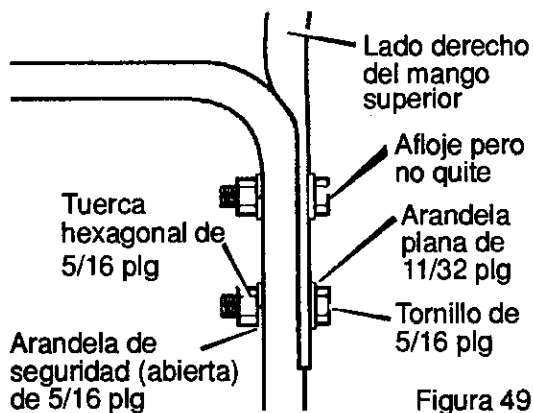


Figura 49

NOTA: Asegúrese de que los cables no queden atrapados entre los mangos superior e inferior.

5. Levante el mango superior a la posición de operación.

NOTA: Si los cables se han desconectado, conéctelos como se muestra en la Figura 50.

ENSAMBLAJE

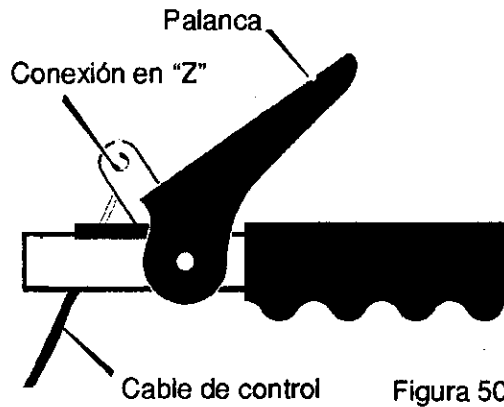


Figura 50

6. Instale los sujetadores que quitó en el paso 4. **NO** los apriete hasta tener todos los pernos en su lugar.

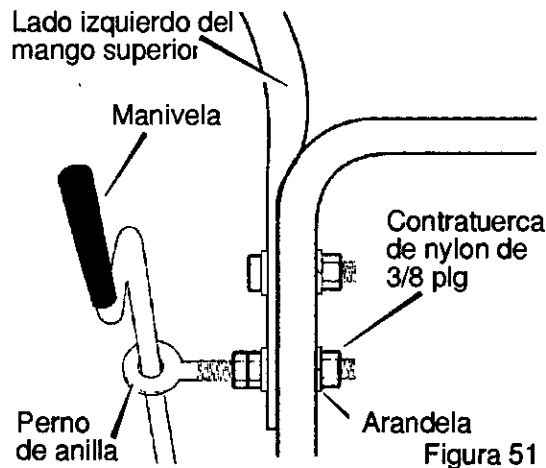


Figura 51

7. Conecte el eje de la manivela a la junta universal con el pasador de horquilla. Vea la Figura 52.
8. Apriete la tuerca del **perno de anilla**. Asegúrese de que el **perno de anilla** esté bien alineado y que la **manivela** pueda girar libremente.
9. Apriete todos los pernos del mango y del panel.

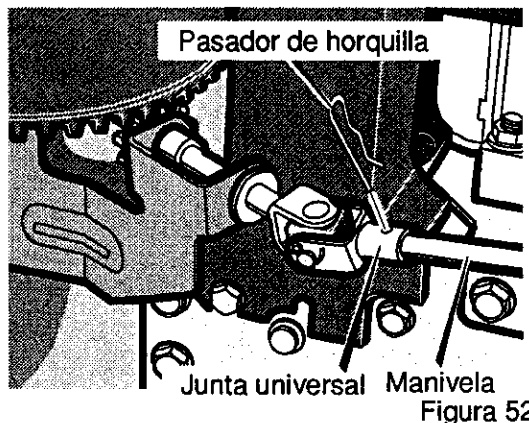


Figura 52

NOTA: Si los cables se han desconectado, conéctelos como se muestra en la Figura 53.

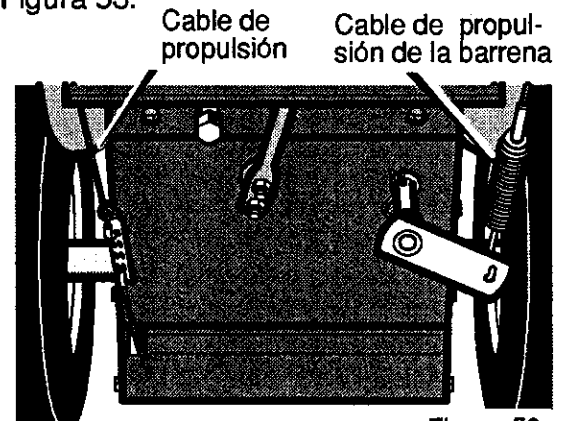


Figura 53

CÓMO ENSAMBLAR EL DEFLECTOR DEL TUBO DE DESCARGA

1. Quite el **perno cabeza de hongo**. Vea la Figura 54.
2. Levante el **deflector del tubo de descarga** a la **posición de operación**.
3. Monte el **deflector del tubo de descarga** en el **reborde** con los **pernos de cabeza de hongo**. Asegúrese de instalar los **pernos de cabeza de hongo** con la cabeza en el parte interior del **reborde**.
4. Sujete con las **arandelas** y las **contratuercas**.
5. Apriete firmemente las **contratuercas**.

NOTA: Compruebe que los **pernos de cabeza de hongo** en el **reborde** estén bien apretados. **PERO NO LOS APRIETE DEMASIADO.**

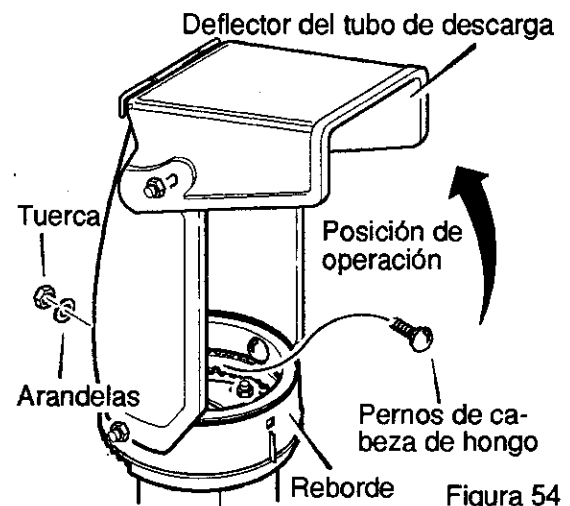


Figura 54

ENSAMBLAJE

CÓMO AJUSTAR LOS PATINES DE ALTURA

Su quitanieves está equipado con patines de ajuste de altura ubicados en la parte exterior del alojamiento de la barrena. Para ajustar los patines de altura para diferentes condi-

ciones, consulte "Ajuste de los patines de altura", en la sección de Servicio y Ajustes.

CÓMO ESTABLECER LA LONGITUD DE LOS CABLES

Puesto que los cables fueron ajustados en la fábrica, no es necesario que usted los ajuste. Sin embargo, una vez que se instalan los mangos en la posición de operación, es posible que los cables queden muy tirantes o

muy flojos. Si es necesario ajustarlos, consulte el párrafo "Cómo revisar y ajustar los cables" que aparece en la sección de Servicio y Ajustes.

✓ LISTA DE REVISIÓN

Antes de usar su nuevo quitanieves, y para asegurar que obtenga el mejor rendimiento y la mayor satisfacción de este producto de calidad, por favor haga un repaso de la siguiente lista de revisión:

- ✓ Se han completado todas las instrucciones de ensamblado.
- ✓ El canal de descarga gira libremente.
- ✓ No quedan piezas sueltas en la caja de cartón.
- ✓ Revise los sujetadores. Compruebe que todos estén bien apretados.
- ✓ Revise la presión de aire de las ruedas. La presión de aire correcta es de 14 a 17 PSI. En la parte lateral de las llantas aparece la presión de aire máxima para inflar las ruedas. No sobrepase este máximo.

- ✓ En los modelos de arranque eléctrico, la unidad ha sido enviada con el cable del sistema de arranque enchufado al motor. Antes de utilizar la unidad, sírvase desenchufar el cable de arranque del motor.

Al mismo tiempo que aprende a usar su quitanieves, preste mucha atención a los importantes detalles a continuación:

- ✓ El aceite del motor está al nivel adecuado. Use un aceite detergente de alta calidad clasificado como "Para servicio SG, SH, SJ, SL o superior".
- ✓ Asegúrese que el tanque de gasolina esté lleno con gasolina limpia, fresca y sin plomo con un octanaje mínimo de 85.
- ✓ Familiarícese con todos los controles, su ubicación y función. Opere los controles antes de hacer arrancar el motor.

OPERACIÓN

CONOZCA SU QUITANIEVES

LEA ESTE MANUAL DEL USUARIO Y LAS REGLAS DE SEGURIDAD ANTES DE USAR SU QUITANIEVES. Compare las figuras con su QUITANIEVES para familiarizarse con las posiciones de los diversos controles y ajustes. Guarde este manual para referencia futura.

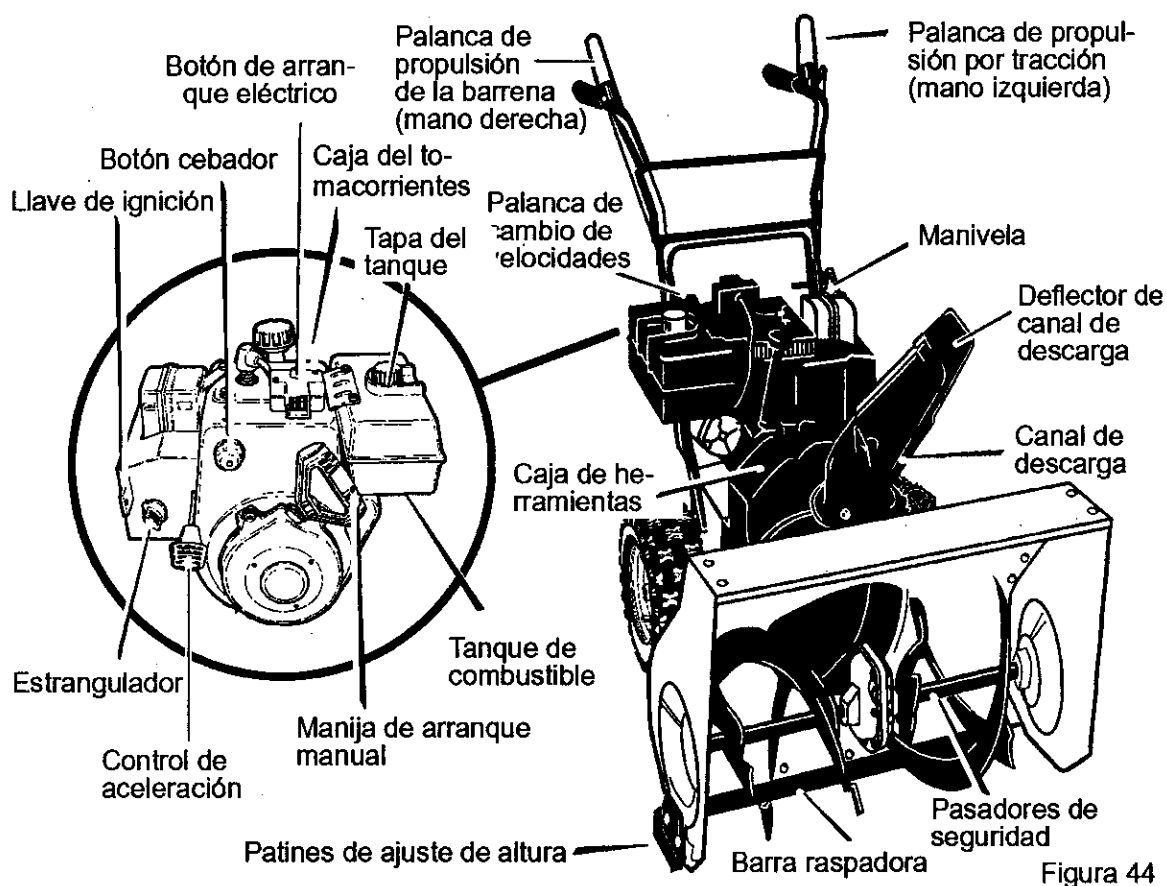


Figura 44

Palanca de propulsión de la barrena - Arranca y detiene la barrena y el propulsor (recoge y lanza la nieve).

Palanca de propulsión por tracción - Impulsa el quitanieves hacia delante o hacia atrás.

Palanca de cambio de velocidades - Selecciona la velocidad del quitanieves (6 velocidades hacia adelante y 2 velocidades hacia atrás).

Manivela - Cambia la dirección de lanzamiento de la nieve.

Deflector del canal de descarga - Cambia la distancia de lanzamiento de la nieve.

Canal de descarga - Cambia la altura de lanzamiento de la nieve.

Patines de ajuste de altura - Ajustan la distancia libre entre el terreno y el alojamiento de la barrena.

Llave de ignición - Debe ser insertada para arrancar el motor.

Manija de arranque manual - Para arrancar el motor de forma manual.

Estrangulador - Se usa para arrancar un motor frío.

Botón cebador - Inyecta combustible directamente dentro del carburador o distribuidor para un arranque rápido en temperaturas bajas.

Control de aceleración - Controla la velocidad del motor.

Botón de arranque eléctrico (si la unidad lo tiene) - Se usa para arrancar el motor usando el arrancador eléctrico de 120V.

Pasadores de seguridad - Pernos diseñados especialmente para romperse (para proteger la máquina) si un objeto se atasca en el alojamiento de la barrena.

Caja de herramientas - Contiene pasadores de seguridad y espaciadores de repuesto.

OPERACIÓN

La operación de cualquier quitanieves puede ocasionar que objetos extraños sean lanzados con fuerza hacia los ojos, lo cual podría resultar en lesiones graves. Use siempre gafas de seguridad o protectores para los ojos mientras opera el quitanieves.

Se recomiendan las gafas de seguridad estándar o la máscara de seguridad de visión amplia para usarla sobre los anteojos.



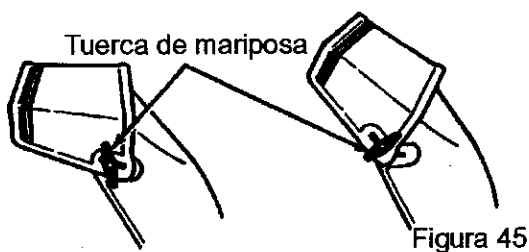
ADVERTENCIA: Lea el manual del propietario antes de operar la máquina. Nunca dirija la descarga hacia los transeúntes. Pare el motor antes de desobstruir el canal de descarga o el alojamiento de la barrena y antes de dejar la máquina.

CÓMO DETENER EL QUITANIEVES

1. Para detener el lanzamiento de nieve, suelte la **palanca de propulsión de la barrena**.
2. Para detener las ruedas, suelte la **palanca de propulsión por tracción**.
3. Para parar el motor, empuje la **palanca de control de aceleración** a la posición APAGADO y saque la **llave de ignición**.

CÓMO CONTROLAR LA DESCARGA DE NIEVE

1. Gire la manivela de control para establecer la dirección del lanzamiento de la nieve.
2. Afloje la **tuerca de mariposa** en el deflector del canal de descarga y ajuste el deflector para establecer la distancia. Mueva el deflector hacia (**ARRIBA**) para mayor distancia, hacia (**ABAJO**) para una distancia menor. Luego apriete la **tuerca de mariposa** (Figura 45).



CÓMO AVANZAR Y RETROCEDER

1. Para cambiar de velocidad, suelte la palanca de propulsión por tracción (**mano izquierda**) y mueva la palanca de cambios a la velocidad deseada. La velocidad en el terreno será determinada por las condiciones de la nieve. Seleccione la velocidad que desea moviendo la palan-

ca de cambio de velocidades a la ranura apropiada del panel de control de cambios.

Velocidad 1, 2 - Nieve mojada, pesada

Velocidad 3 - Nieve ligera

Velocidad 4 - Nieve muy ligera

Velocidad 5, 6 - Para transportar la unidad solamente

2. Enganche la palanca de propulsión por tracción (**mano izquierda**). A medida que el quitanieves comienza a moverse, sujete firmemente los mangos, y guíe el quitanieves a lo largo del camino a despejar. No intente empujarlo.
3. Para mover el quitanieves en retroceso, mueva la palanca de cambio de velocidades a la primera o segunda velocidad de retroceso y enganche la palanca de propulsión por tracción (**mano izquierda**).

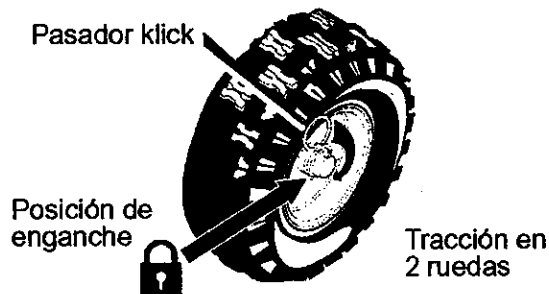
IMPORTANTE: Nunca mueva la palanca de cambio de velocidades mientras la palanca de propulsión por tracción está abajo.

LANZAMIENTO DE NIEVE

1. Empuje la palanca de propulsión de la barrena (**mano derecha**) hacia abajo.
2. Suéltela para detener el lanzamiento de nieve.

CÓMO USAR EL PASADOR DE ENGANCHE DE LA RUEDA

1. La rueda del derecho va asegurada al eje por medio de un pasador de enganche (**pasador klick**). Esta unidad fue despachada con el pasador en la **posición de enganche** (a través del agujero de la rueda). Figura 46.



2. Para facilitar la maniobra de la unidad en condiciones de nieve ligera, desconecte el **pasador klick** de la **posición de enganche** de la rueda e introdúzcalo en el agujero para tracción de una rueda (**desenganche solamente el agujero del eje**). Figura 47.

OPERACIÓN

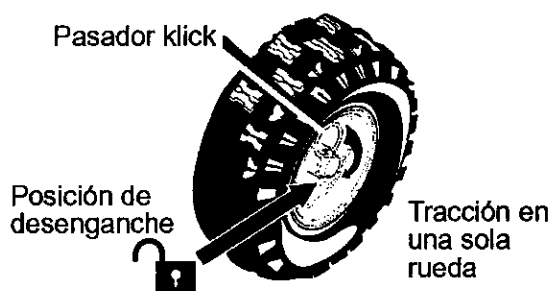


Figura 47

NOTA: Asegúrese de que el pasador click esté en la posición de tracción de una sola rueda en el eje solamente, y no esté insertado a través de la posición de enganche.

ANTES DE ENCENDER EL MOTOR

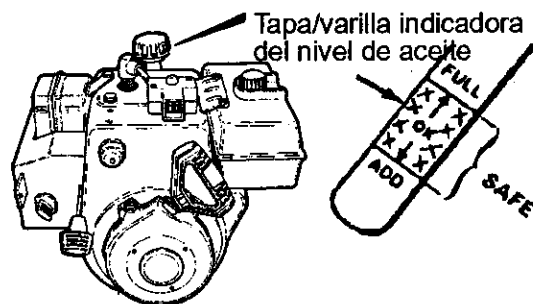
1. Antes de dar servicio o encender el motor, familiarícese con su quitanieves. Asegúrese de conocer la ubicación de todos los controles y entender su función.
2. Revise la tensión del cable del embrague antes de arrancar el motor. Consulte el **Ajuste del cable de control** que aparece en la sección de **Servicio y Ajustes** de este manual.
3. Asegúrese de que todos los sujetadores estén apretados.
4. Compruebe que el ajuste de los patines de altura esté correcto. Consulte el párrafo "**Ajuste de los patines de altura**" que aparece en la sección de **Servicio y Ajustes** de este manual.
5. Revise la presión de los neumáticos (**14-17 libras**). No exceda el límite máximo de presión.

REVISIÓN AR DEL ACEITE: ANTES DE ARRANCAR EL MOTOR

NOTA: El motor fue enviado de la fábrica con aceite. Revise el nivel de aceite. Añada aceite según sea necesario.

Para añadir aceite

1. Asegúrese de que la unidad se encuentre sobre una superficie nivelada.
NOTA: No revise el nivel de aceite estando el motor en marcha.
2. Quite la tapa/varilla indicadora del nivel de aceite. Revise el nivel.
3. Si es necesario, añada aceite hasta la línea FULL (lleno) en la tapa/varilla indicadora del nivel de aceite (Figura 48). No exceda la medida.



NOTA: El nivel del aceite deberá estar entre la marca FULL (lleno) y la marca ADD (agregar)

Figura 48

4. Apriete firmemente la tapa/varilla cada vez que revise el nivel de aceite.

NOTA: En áreas donde la temperatura se mantiene constante en los $-6,7^{\circ}\text{C}$ (20°F) o menos, puede usar aceite del tipo S.A.E. 5W-30 para facilitar el encendido del motor.

COMBUSTIBLE

La certificación del motor indica que éste cumple con las estipulaciones de las normas de regulación de emisiones de California y de la US EPA para motores ULGE (en equipo de servicio o para prados y jardines). Los motores ULGE están certificados para funcionar con gasolina regular sin plomo.



ADVERTENCIA: Los combustibles mezclados con alcohol (llamados gasohol o aquellos que usan etanol o metanol) pueden atraer humedad la cual conduce a la separación y formación de ácidos durante el almacenamiento. Los gases acídicos pueden dañar el sistema de combustible de un motor mientras se encuentra en almacenamiento.

NOTA: Para evitar problemas en el motor, el sistema de combustible debe vaciarse antes del guardar la unidad por 30 días o más. Arranque el motor y déjelo en marcha hasta que las líneas de combustible y el carburador estén vacíos. Use gasolina fresca la siguiente temporada. Para mayor información consulte la sección de **Almacenamiento** de este manual.

Nunca use productos de limpieza de motor o carburador en el tanque de combustible, de lo contrario podría causar daño permanente a la unidad.

OPERACIÓN

Llene el tanque solamente con gasolina fresca, limpia, regular sin plomo, súper sin plomo o gasolina automotor reformulada. **NO** use gasolina con plomo. Asegúrese de que el recipiente que contiene la gasolina a utilizar, esté limpio y sin óxido u otras partículas extrañas. Nunca use gasolina que pueda estar vencida debido a su prolongado almacenamiento.



ADVERTENCIA: La gasolina es inflamable y debe tener mucho cuidado al manipularla o almacenarla.

- No llene el tanque de combustible mientras el quitanieves se encuentre en marcha, cuando esté caliente, o cuando el quitanieves se encuentre en un área cerrada.
- Mantenga la unidad alejada de llamas abiertas o chispas eléctricas y no fume mientras llena el tanque de combustible.
- Nunca llene el tanque completamente. Llene el tanque hasta dejar entre 1/4-1/2 pulgada de la parte superior para proporcionar espacio para la expansión del combustible.
- Siempre llene el tanque al aire libre y use un embudo o boquilla para prevenir el derrame.
- Asegúrese de limpiar cualquier combustible derramado antes de arrancar el motor.
- Almacene la gasolina en un contenedor, limpio y aprobado, y mantenga la tapa puesta y segura en el contenedor.

PARADA DEL MOTOR

Para parar la marcha del motor, mueva la palanca de control de aceleración a la posición PARAR y retire la llave. Mantenga la llave en un lugar seguro. El motor no puede arrancar sin la llave de ignición.

ARRANQUE DEL MOTOR

Asegúrese de que el motor tenga suficiente aceite. El motor del quitanieves está equipado con un arrancador eléctrico de 120 voltios de corriente alterna y con un arrancador manual. Antes de arrancar el motor, asegúrese de haber leído la información siguiente:



ADVERTENCIA: El motor de arranque está equipado con un cable de alimentación y enchufe trifilar, diseñados para funcionar con corriente doméstica de 120 voltios CA. El cable de alimentación deberá estar conectado a tierra en todo momento para evitar la posibilidad de un choque eléctrico que podría lesionar al operador.

- Siga cuidadosamente todas las instrucciones de la sección "Arranque del motor."
- Verifique que el alambrado eléctrico de su casa tenga un sistema trifilar conectado a tierra. Si no está seguro de esto, pregúntele a un electricista profesional. Si su casa no cuenta con un sistema de alambrado eléctrico trifilar, no use el arrancador eléctrico bajo ninguna circunstancia.
- Si su sistema está conectado a tierra pero no dispone de un tomacorrientes trifilar, en un punto conveniente para enchufar su arrancador eléctrico, pida a un electricista profesional que le instale uno.
- Para conectar el cable de alimentación de 120 voltios de CA, siempre conecte primero el cable a la caja del tomacorrientes del motor, luego enchufe el otro extremo en el tomacorrientes trifilar conectado a tierra. Al desconectar el cable de alimentación eléctrica, siempre desenchufe primero el extremo en el tomacorrientes conectado a tierra.

Cómo hacer arrancar el motor en frío

1. Compruebe que las palancas de propulsión de la barrena y de propulsión por tracción estén en la posición desenganchado.
2. Mueva el control de aceleración a la posición "RÁPIDO".
3. Inserte la llave en la ranura de ignición. Asegúrese de que al meter la llave oye que ésta hace un sonido de enganche. **No gire la llave.**
4. Gire la perilla del estrangulador hacia la derecha a la posición "ACTIVADO".
5. (**Arranque eléctrico**) Conecte el cable de alimentación a la **caja del tomacorrientes** en el motor. Enchufe el otro extremo del cable de alimentación en un

OPERACIÓN

tomacorrientes trifilar de 120 voltios CA, conectado a tierra.

6. Empuje el **botón cebador** de la manera indicada a continuación. Quite el dedo del botón cebador entre cebados.
 - No use la función de cebado si la temperatura está sobre 50° F (10° C).
 - Oprima el botón dos veces si la temperatura está entre 50° F (10° C) y 15° F (-10° C).
 - Oprima el botón cuatro veces si la temperatura se encuentra por debajo de los 15° F (-10° C).
 - Oprima el botón cinco veces si la temperatura se encuentra por debajo de los 0° F (-18° C).
7. (**Arranque eléctrico**) Presione el **botón de arranque** hasta encender el motor. No lo presione por más de 10 segundos a la vez. Este motor de arranque eléctrico cuenta con protección térmica. Si se sobrecalienta se detendrá automáticamente y puede ser arrancado nuevamente sólo cuando se haya enfriado a una temperatura segura (debe esperar entre 5 y 10 minutos aproximadamente).
8. (**Arranque a manual**) Jale rápidamente la **manija del arranque manual**. No suelte la **manija** inmediatamente después de jalarla. Deje que la manija del arranque manual se enrolle lentamente.
9. Si el motor no arranca a los 5 ó 6 intentos, lea las instrucciones sobre: Dificultad para arrancar en la "Tabla de localización y reparación de averías".
10. Una vez que el motor arranque, mueva el **control de estrangulación** a la posición "1/2". Cuando el motor esté trabajando de manera uniforme, mueva el **control de estrangulación** a la posición "desactivado".
11. (**Arranque eléctrico**) Desconecte el cable de alimentación, primero del tomacorrientes y luego de la **caja del tomacorrientes**.
12. Opere el motor a una velocidad de aceleración "**RÁPIDA**" cuando esté despejando la nieve.

Deje que el motor se caliente por varios minutos antes de empezar a despejar la nieve en temperaturas inferiores a los -18°C (0°F).

Cómo hacer arrancar un motor caliente

Si está arrancando un motor caliente después de haberlo apagado por un período corto, deje la palanca del estrangulador en la posición "DESACTIVADO" y no oprima el botón cebador. Si el motor no arranca, siga las instrucciones sobre Arranque del motor en frío.

ARRANQUE CONGELADO

Si el motor de arranque está congelado y no enciende el motor:

1. Jale tanta cuerda del arrancador manual como sea posible.
2. Suelte la manija de arranque manual y déjela enrollarse con fuerza contra el arrancador. Repita hasta que logre encender el motor.

Para ayudar a evitar que se congelen el arranque manual y los controles del motor, proceda de la manera siguiente después de cada trabajo de remoción de nieve.

1. Con el motor en marcha, jale enérgicamente la cuerda de arranque manual estirando su brazo completamente tres o cuatro veces seguidas. El jalado de la cuerda de arranque producirá un sonido de repiqueteo fuerte. Esto no causa daño al motor ni al arrancador.
2. Con el motor apagado, limpie toda la nieve y humedad de la cubierta del carburador en el área de las palancas de control. Asimismo, mueva varias veces el control de aceleración, el control del estrangulador y la manija de arranque manual.



ADVERTENCIA: Nunca arranque el motor dentro de un recinto cerrado o en áreas con poca ventilación. Los gases de escape del motor contienen **MONÓXIDO DE CARBONO, UN GAS INODORO Y MORTAL**. Mantenga las manos, los pies, el pelo y las ropas sueltas alejadas de las partes en movimiento tanto del motor como del quitanieves.

- La temperatura del silenciador y de las piezas alrededor del silenciador puede exceder los 150° F. Evite tocar estas partes.
- **NO PERMITA** que niños ni adolescentes operen el quitanieves ni que estén cerca cuando esté funcionando.

OPERACIÓN

CÓMO QUITAR LA NIEVE Y ESCOMBROS ATASCADOS DE LA BARRENA



ADVERTENCIA: No intente quitar la nieve ni escombros atascados en la barrena sin tomar las precauciones siguientes.

En la parte de arriba del alojamiento de la barrena se encuentra un bastón de limpieza. Utilice

el bastón de limpieza para quitar la nieve atascada en el alojamiento de la barrena.

- Suelte la palanca de propulsión de la barrena.
- Mueva la palanca de control de aceleración a la posición "parar".
- Retire (sin girar) la llave de ignición.
- Desconecte el cable de la bujía.
- No coloque las manos en la barrena o canal de descarga. Use el bastón de limpieza para quitar la nieve.

CONSEJOS SOBRE EL LANZAMIENTO DE NIEVE

1. Para un rendimiento máximo de su quitanieves, al despejar la nieve ajuste la velocidad sobre el terreno, NUNCA haga este ajuste en el control de aceleración. Avance lentamente en nieve profunda, congelada, o mojada. Si las ruedas patinan, reduzca la velocidad de avance. El motor está diseñado para brindar un rendimiento máximo bajo aceleración total y debe ser operado en este valor de potencia en todo momento.
2. El lanzamiento de nieve es más eficiente si el trabajo se realiza inmediatamente después de la nevada.
3. Para una remoción completa de la nieve, traslape ligeramente cada camino adoptado previamente. En nieve profunda, superponga los barridos entre sí para evitar sobrecargar la máquina.
4. La nieve debería ser descargada en la dirección del viento siempre que sea posible.
5. Para uso normal, ajuste los patines de altura de manera que la barra raspadora quede a 1/8 de pulgada sobre los patines. Para superficies de nieve sumamente compacta, ajuste los patines de altura hacia arriba de manera que la barra raspadora haga contacto con el suelo.
6. En superficies de grava o piedra triturada, ajuste los patines de altura a 1-1/4 pulgadas por debajo de la barra raspadora. Consulte el párrafo "**Ajuste de los patines de altura**" en la sección de **Servicio y Ajustes** de este manual. Este ajuste es importante para que la máquina no recoja y lance piedras ni grava.
7. Después de completar el trabajo de despejar la nieve, deje el motor en marcha por unos cuantos minutos, esto derretirá la nieve y hielo acumulados alrededor del motor.
8. Limpie completamente el quitanieves después de cada uso.
9. Quite toda acumulación de hielo y nieve y todo material extraño del quitanieves, y enjuague con agua (si fuera posible) para remover toda la sal u otros químicos. Seque el quitanieves con un paño.

MANTENIMIENTO

REGISTROS DE SERVICIO Anote las fechas a medida que completa el servicio	Antes de cada uso	A menudo	Cada 5 horas	Cada 10 horas	Cada 25 horas	Cada temporada	Antes de guardar	FECHA DEL SERVICIO
Correa de propulsión de la barrena *					✓			
Lubricación de la cadena					✓			
Revisar el nivel de aceite del motor	✓		✓			✓		
Cambiar el aceite del motor					✓	✓		
Revisar la bujía					✓	✓		
Vaciar el tanque de combustible							✓	
Ajustar la correa de propulsión	✓				✓	✓		

* Ajustar después de 2 a 4 horas de uso.

RECOMENDACIONES GENERALES

La garantía de este quitanieves no cubre elementos que han estado sujetos a abuso o negligencia por parte del operador. Para recibir el valor total de la garantía, el operador deberá dar mantenimiento al quitanieves de acuerdo a las instrucciones contenidas en este manual.

Será necesario efectuar algunos ajustes periódicamente para mantener su quitanieves en buenas condiciones de funcionamiento.

DESPUÉS DE CADA USO

- Haga funcionar la unidad para que salga toda la nieve acumulada en la barrena.
- Para evitar el congelamiento de la barrena o de los controles, limpie toda la nieve y el hielo del quitanieves.
- Revise la unidad por si tuviera alguna pieza suelta o dañada.
- Apriete los sujetadores que estén sueltos.
- Revise y dé mantenimiento a la barrena.
- Revise los controles para asegurarse de que funcionan correctamente.
- Si encuentra alguna pieza gastada o dañada, cámbiela inmediatamente.

ESPECIFICACIONES

CABALLOS DE FUERZA	9.5 HP
CILINDRADA	305 cc
CALIBRE	79mm (3,12 pulg.)
CARRERA	62mm (2,44 pulg.)
CAPACIDAD DE GASOLINA	3 cuartos (sin plomo)
CAPACIDAD DE ACEITE	28 onzas, 5W30
BUJÍA:	Champion RJ19LM (Entrehierro 0,030plg.)
JUEGO DE VLVULA:	Entrada: 0,004 0,006 plg. Escape: 0,009 0,011 plg.
ENTREHIERRO DEL INDUCIDO:	0,010 0,014 pulg.

QUITANIEVES

CORREA DE PROPULSIÓN DE LA BARRENA

Ajuste la correa de propulsión de la barrena después de las primeras 2 ó 4 horas, y nuevamente a mitad de la temporada, y dos veces cada temporada posteriormente, (Consulte "Cómo ajustar las correas" en la sección de Servicio y Ajustes.

MANTENIMIENTO

LUBRICACIÓN DE LA CADENA - CADA 25 HORAS

1. Ponga la palanca de selección de velocidad en primera (1).
2. Ponga el quitanieves de pie sobre el extremo del alojamiento de la barrena.

NOTA: Cuando el cárter del motor esté lleno de aceite, asegúrese de no dejar el quitanieves de pie sobre el alojamiento de la barrena por mucho tiempo.

3. Quite el panel inferior.
4. Lubrique las cadenas con un lubricante especial para cadenas.
5. Cuando vaya a almacenarlo, limpie el eje hexagonal y los engranajes con aceite de motor 5W30.

NOTA: Limpie todo exceso de grasa o de aceite de la rueda de fricción o de la placa del disco de propulsión.

PRECAUCIÓN: No permita que la grasa entre en contacto con la rueda de fricción ni con la placa del disco de propulsión.

6. Instale el panel inferior.

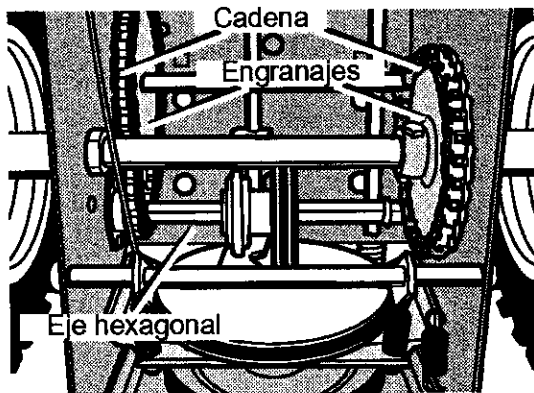


Figura 49

CAJA DE ENGRANAJES DE LA BARRENA

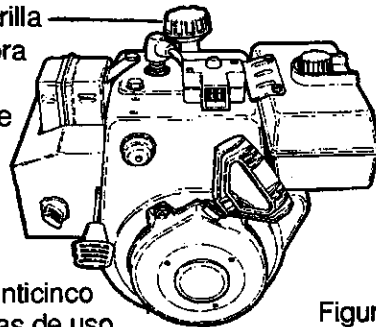
La caja de engranajes de la barrena se lubrica en la fábrica y no requiere lubricación. Si por alguna razón el lubricante se escapa, haga revisar esta caja de engranajes en un centro de servicio autorizado.

MOTOR

LUBRICACIÓN

Revise el nivel de aceite en el cárter del motor antes de encenderlo y después de cada cinco (5) horas de uso continuo. Figura 50. Agregue aceite de motor S.A.E. 5W30 a medida que sea necesario. Apriete la tapa/varilla indicadora en forma segura cada vez que revise el nivel del aceite.

Tapa/varilla indicadora del nivel de aceite



Cambie el aceite cada veinticinco (25) horas de uso,

o por lo menos una vez al año si el quitanieves no se usa por veinticinco (25) horas.

Figura 50

CAMBIO DE ACEITE

1. Coloque el quitanieves de manera tal que el tapón de drenaje del aceite sea el punto más bajo del motor.
2. Quite el tapón de drenaje del aceite y la tapa/varilla indicadora del nivel de aceite. Drene el aceite en un recipiente apropiado.
NOTA: El aceite fluirá mejor si el motor está caliente.
3. Una vez que haya sacado todo el aceite, coloque nuevamente el tapón de drenaje en su lugar y apriételo para que quede seguro.
4. Llene lentamente el cárter del motor con aceite S.A.E. 5W30. **NO LO LLENE DEMASIADO.** Consulte "Para añadir aceite" en la sección de Operación.

BUJÍA

Revise la bujía cada veinticinco (25) horas. Reemplácela si los electrodos están picados o quemados o si la porcelana está rajada.

1. Asegúrese de que la bujía esté limpia. Límpiela raspando con mucho cuidado los electrodos (no use chorro de arena ni cepillo de alambres).
2. Revise el entrehierro de la bujía usando una lámina calibradora y restablezca el entrehierro a 0,030 plg. si fuera necesario. Figura 51.
3. Antes de instalar la bujía, cubra la rosca con un poco de aceite para que sea más fácil sacarla, si fuera necesario. Apriete la bujía a un par de apriete de 15 pielibra.

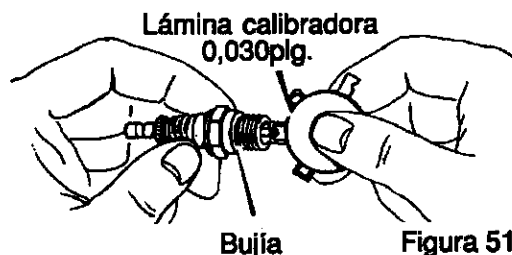


Figura 51

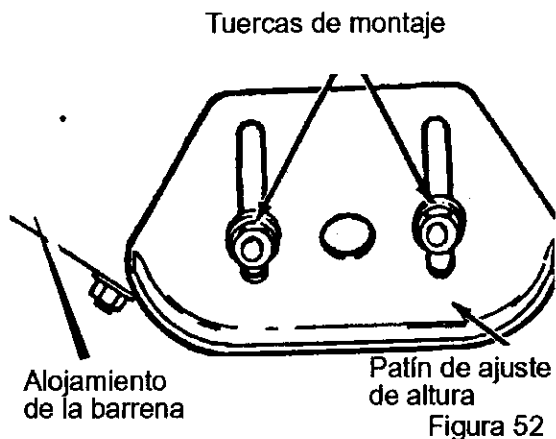


ADVERTENCIA: Para prevenir el arranque accidental del motor, siempre desconecte el cable de la bujía y manténgalo alejado de ésta mientras realiza ajustes o reparaciones a la unidad.

CÓMO AJUSTAR LOS PATINES DE ALTURA

Este quitanieves está equipado con dos patines de ajuste de altura, ubicados en el lado exterior del alojamiento de la barrena. Vea la Figura 52.

Estos patines de ajuste de altura elevan la parte delantera del quitanieves.



Para superficies duras normales, tales como entradas de auto o senderos pavimentados ajuste los patines de ajuste de altura de la de la siguiente manera:

1. Ponga el quitanieves en una superficie nivelada.
2. Compruebe que ambos neumáticos tengan la misma presión de aire. La presión de aire correcta es 14 a 17 PSI. No exceda la presión máxima indicada en la cara lateral del neumático.
3. Coloque los pernos de seguridad adicionales (**que se encuentran en la bolsa de partes**) debajo de cada extremo de la barra raspadora junto a los patines de ajuste de altura.

4. Afloje las tuercas de montaje que sujetan los patines de ajuste de altura. Para bajar la parte delantera del quitanieves, suba los patines. Apriete las tuercas de montaje. Vea la Figura 52.

NOTA: Para las superficies pedregosas o irregulares, suba la parte delantera del quitanieves bajando los patines de ajuste..



ADVERTENCIA: Asegúrese de mantener la altura necesaria sobre el suelo del área que se va a limpiar. Si el impulsor golpea objetos tales como grava, piedras u otros desechos, los puede lanzar con suficiente fuerza como para causar lesiones personales, daños a la propiedad o daños al quitanieves.

AJUSTE DE LA BARRA RASPADORA

Después de mucho uso, la barra raspadora metálica se gastará. La barra raspadora y los patines, siempre deben ajustarse de manera que quede un espacio de 1/8 plg. entre la barra raspadora y la acera o el área que se va a despejar.

1. Ponga el quitanieves en una superficie nivelada.
2. Compruebe que ambos neumáticos tienen la misma presión de aire. La presión correcta es de 14 a 17 PSI. No exceda la presión máxima indicada en la cara lateral del neumático.
3. Afloje las tuercas y pernos de coche que sujetan la barra raspadora al alojamiento de la barrena.
4. Ajuste la barra raspadora a la posición correcta.
5. Apriete las tuercas y pernos de coche. . Asegure que la barra raspadora quede paralela con la acera o el área que se va a despejar.
6. Para que la barra raspadora dure más tiempo, quítela y móntela al revés. Si debe reemplazarla debido al desgaste, quite las tuercas y los pernos de coche e instale una barra raspadora nueva.

SERVICIO Y AJUSTES

AJUSTE DE LAS CORREAS

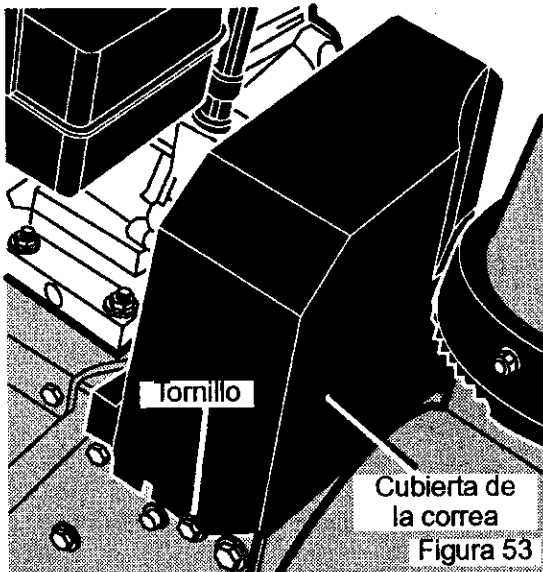
Correa de propulsión

La correa de propulsión tiene una presión de resorte constante y no requiere ningún ajuste. Si nota que empieza a resbalar, reemplácela. Consulte "Cómo reemplazar la correa" en la sección de Servicio y Ajustes.

Correa de propulsión de la barrena

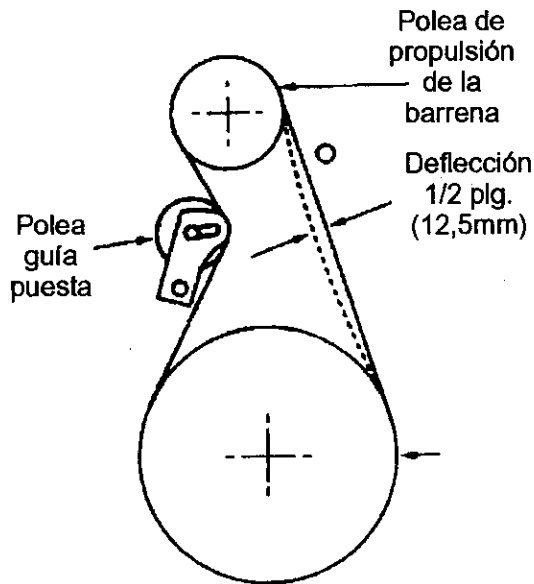
Si el quitanieves no expulsa la nieve, compruebe el ajuste del cable. Si es correcto, compruebe que la correa de propulsión de la barrena esté en buen estado. Si está estropeada o suelta, reemplácela (consulte "Cómo desmontar la correa de propulsión de la barrena" en esta misma sección del manual).

1. Desconecte el cable de la bujía.
2. Quite el **tornillo de la cubierta de la correa**. Quite la **cubierta de la correa** (Figura 53).



3. Afloje la tuerca de la polea guía de la barrena y mueva esta última hacia la correa un octavo de pulgada aproximadamente (3 mm) (Figura 56).
4. Apriete la tuerca.
5. Pida a alguien que ponga el embrague de la barrena. Compruebe la tensión de la correa (al lado contrario de la polea guía). La correa de-

bería ceder media pulgada (12,5 mm) con presión moderada (Figura 54). Puede que tenga que mover la polea guía más de una vez para conseguir la tensión correcta.



6. Vuelva a poner la cubierta de la correa.
7. Siempre que ajuste o reemplace las correas, también hará falta ajustar los cables. (Consulte "Cómo ajustar los cables" en esta misma sección del manual).
8. Conecte el cable de las bujías.

CÓMO REEMPLAZAR LAS CORREAS

Las correas de propulsión son especiales y se deben reemplazar con correas originales del fabricante que podrá encontrar en su tienda Sears más cercana.

Para completar algunos de estos procedimientos necesitará la ayuda de otra persona.

Cómo desmontar la correa de propulsión de la barrena

Si la correa de propulsión está estropeada, el quitanieves no expulsará la nieve. Reemplace la correa de la siguiente manera.

1. Desconecte el cable de la bujía.

SERVICIO Y AJUSTES

- Afloje los **pernos** a cada lado del **panel inferior** (Figura 55).
- Quite el **panel inferior**.

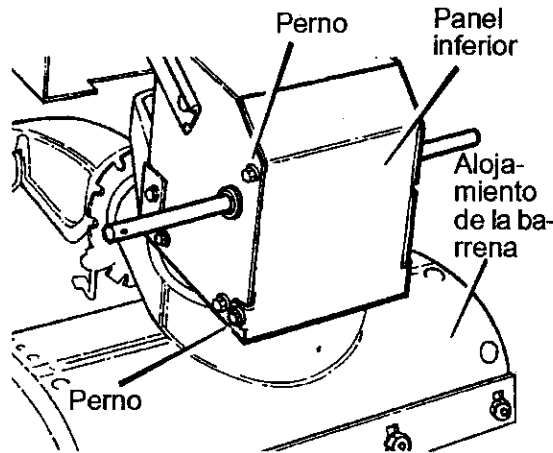


Figura 55

- Quite el **tornillo de la cubierta de la correa**. Quite la **cubierta** (Figura 53).
- Afloje la **guía de la correa**. Separe la **guía de la polea de propulsión de la barra** (Figura 56).
- Separe la **polea guía de la correa de propulsión de la barra**.
- Quite la **correa de propulsión vieja de la polea de propulsión de la**

barrena y de la **polea del motor**. Instale una **correa de propulsión de la barrena** nueva original de fábrica que haya comprado en un centro de servicio Sears.

- Instale la **correa de propulsión de la barrena** nueva en la **polea de propulsión** y en la **polea**.
- Ajuste la **correa de propulsión de la barrena**. Consulte "Cómo ajustar la correa de propulsión de la barrena" en la sección de Servicio y Ajustes.
- Ajuste la **guía de la correa**. Consulte "Cómo ajustar la guía de la correa" en la sección de Servicio y Ajustes.
- Instale la **cubierta de la correa**. Apriete el **tornillo** (Figura 53).
- Revise los cables. Consulte "Cómo revisar y ajustar los cables" en la sección de Servicio y Ajustes.
- Instale el **panel inferior** (Figura 55).
- Apriete los **pernos** a cada lado del **panel inferior**.
- Conecte el cable de la bujía.

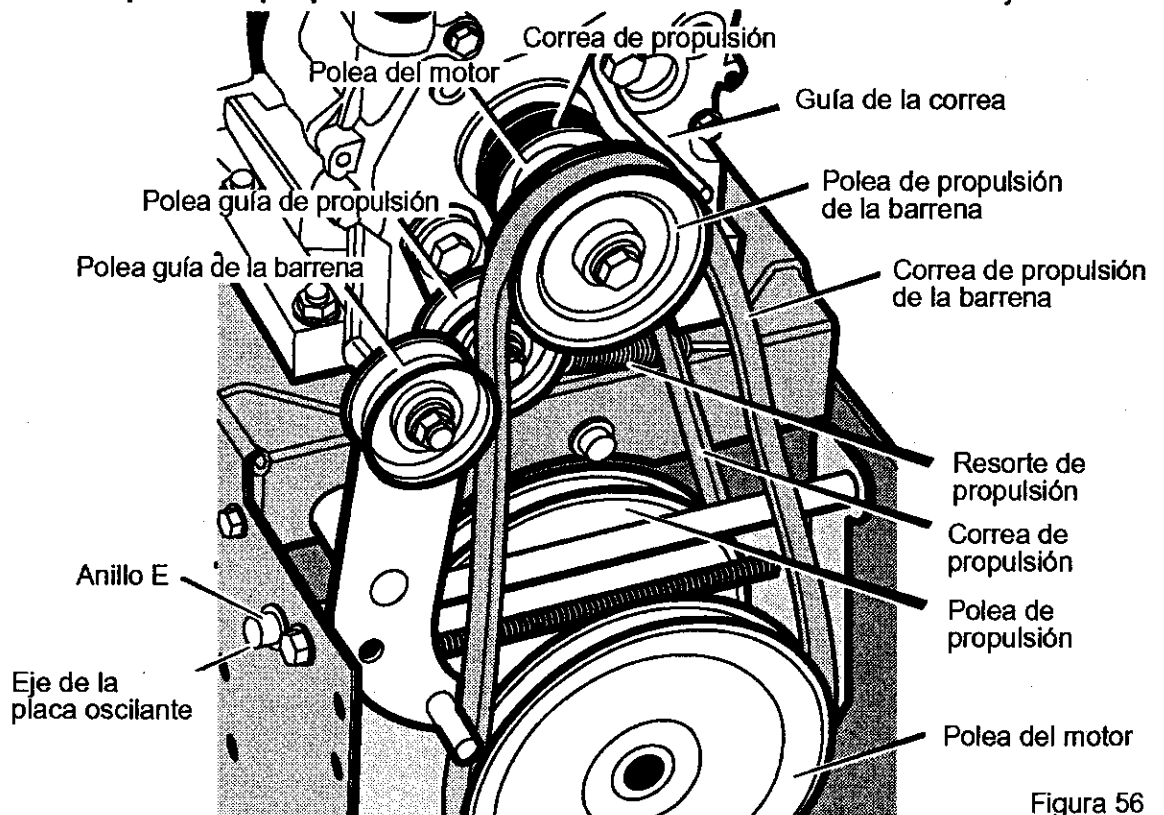


Figura 56

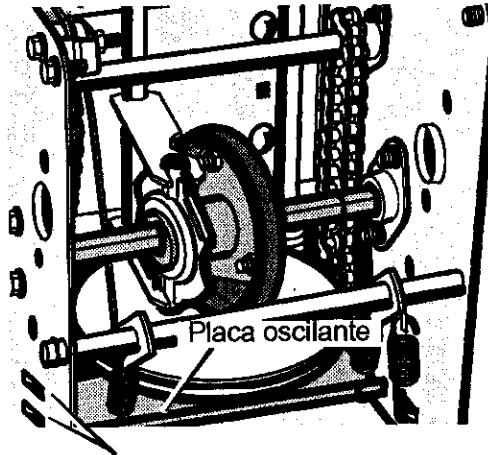
SERVICIO Y AJUSTES

Cómo desmontar la correa de propulsión

Si el quitanieves no se mueve hacia adelante, asegúrese de que la correa de propulsión no esté excesivamente desgastada o dañada. Si lo está, reemplácela de la siguiente manera.

1. Desconecte el cable de la bujía.
2. Quite la correa de propulsión de la barrena. Consulte "Cómo desmontar la correa de propulsión de la barrena" en la sección de Servicio y Ajustes.
3. Quite el **anillo E** de uno de los extremos del **eje de la placa oscilante**. Quite este **eje** para que la placa oscilante gire hacia adelante (Figura 56).
4. Quite el **resorte de propulsión**.
5. Quite la **correa de propulsión** vieja de la **polea de propulsión** y de la **polea del motor**. Instale una **correa de propulsión** original de fábrica disponible en un centro de servicio Sears.
6. Instale la nueva **correa de propulsión** en la **polea de propulsión** y en la **polea del motor**.
7. Asegúrese de que la **polea guía de propulsión** esté alineada con la **correa de propulsión**.
8. Conecte el **resorte de propulsión**.
9. Instale el **eje de la placa oscilante** y sujételo con el **anillo E**.
10. La parte inferior de la **placa oscilante** debe quedar entre las **marcas de alineamiento**. Asegúrese de que la **placa oscilante** esté bien

sujeta (Figura 57).



Marcas de alineamiento Figura 57

NOTA. Si la transmisión no funciona una vez que haya substituido la correa de propulsión, asegúrese de que la placa oscilante se encuentre entre las dos marcas de alineamiento.

11. Instale y ajuste la **correa de propulsión de la barrena**. Consulte "Cómo desmontar la correa de propulsión de la barrena" en la sección de Servicio y Ajustes.
12. Ajuste la **guía de la correa**. Consulte "Cómo ajustar la guía de la correa" en la sección de Servicio y Ajustes.
13. Instale el **panel inferior** (Figura 55).
14. Apriete los **pernos** a ambos lados del **panel inferior**.
15. Instale la **cubierta de la correa**. Apriete el **tornillo** (Figura 53).
16. Revise el ajuste de los cables. Consulte "Cómo revisar y ajustar los cables" en la sección de Servicio y Ajustes.
17. Conecte el cable de la bujía.

AJUSTES DE LA CORREA GUÍA

1. Quite el cable de la bujía.
2. Pida a alguien que ponga el propulsor de la barrena.
3. Mida la distancia entre la guía de la correa y la correa. La distancia debe ser de 1/8 de pulgada (3,175 mm) para la guía. (Figura 58).

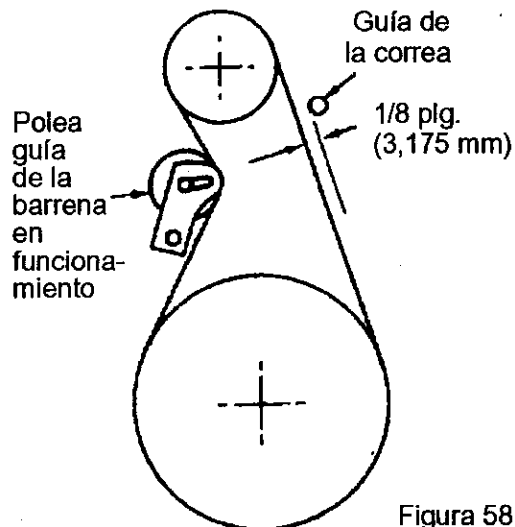


Figura 58

4. Si necesita hacer algún ajuste, afloje el perno de montaje de la guía de la correa. Ponga la guía en la posición correcta. Apriete el perno.
5. Vuelva a instalar la cubierta de la correa.
6. Vuelve a conectar el cable de la bujía.

CÓMO REVISAR Y AJUSTAR LOS CABLES

Los cables se ajustan en la fábrica y no debería ser necesario ajustarlos. Si se se dan de sí o están flojos, ajústelos. Siempre que cambie o ajuste las correas tendrá que ajustar los cables.

Para asegurarse de que estén bien ajustados, suelte el accesorio "Z" en la palanca de propulsión (Figura 59).

1. Mueva la palanca de propulsión todo lo que pueda hacia adelante (hasta que toque el tope de plástico). Sujete bien el cable, observe la posición del accesorio con respecto al agujero en la palanca de propulsión.

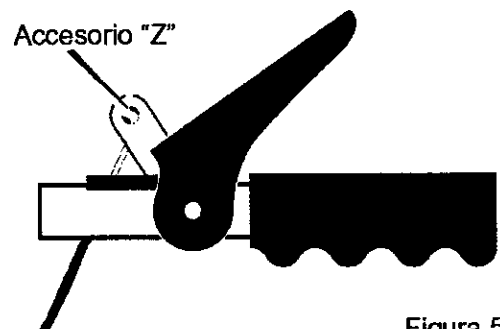


Figura 59

2. El centro del accesorio "Z" debe estar entre el centro y la parte superior del agujero en la palanca de propulsión. Ajuste el cable de propulsión de la barrena o el cable de propulsión por tracción según sea necesario, siguiendo las instrucciones a continuación.

Ajuste del cable de propulsión de la barrena

1. Deje el motor en marcha hasta que el tanque de combustible quede vacío y el motor se pare.
2. Levante el quitanieves con el extremo frontal del alojamiento de la barrena hacia abajo.
3. Meta el cable por el resorte hasta exponer la porción roscada del cable (Figura 60).

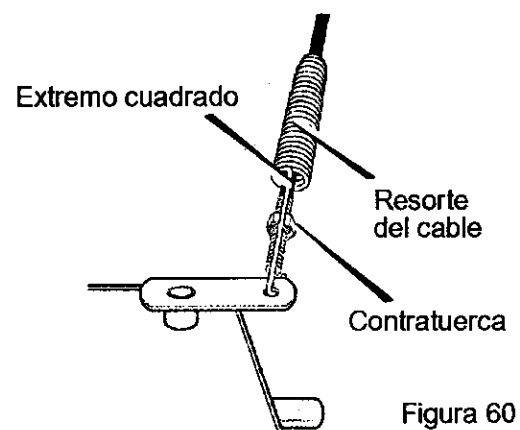


Figura 60

4. Sujete el extremo cuadrado de la parte roscada con unos alicates y ajuste la contratuerca hacia afuera o hacia adentro hasta conseguir el ajuste correcto. Vuelva a meter el cable por el resorte y conéctelo.

SERVICIO Y AJUSTES

AJUSTES DEL CABLE DE PROPULSIÓN

1. Deje el motor en marcha hasta que el tanque de combustible quede vacío y el motor se pare.
2. Levante el quitanieves con el extremo frontal del alojamiento de la barra hacia abajo.
3. Afloje los **pernos** a cada lado del **panel inferior** (Figura 61).

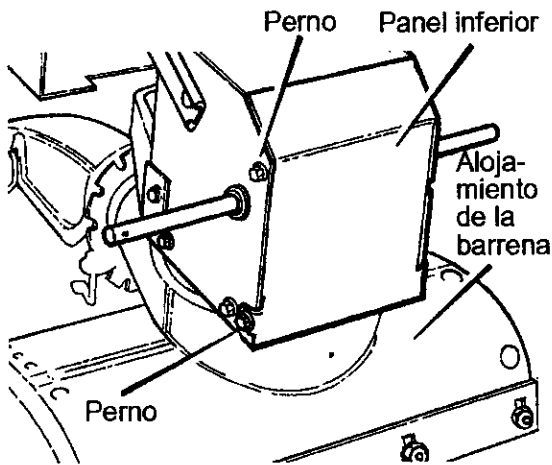


Figura 61

4. Quite el **panel inferior**.
5. Desconecte el accesorio "Z" de la **palanca de propulsión** (Figura 59).
6. Saque el **manguito del cable** del **soporte de ajuste del cable** (Figura 62).

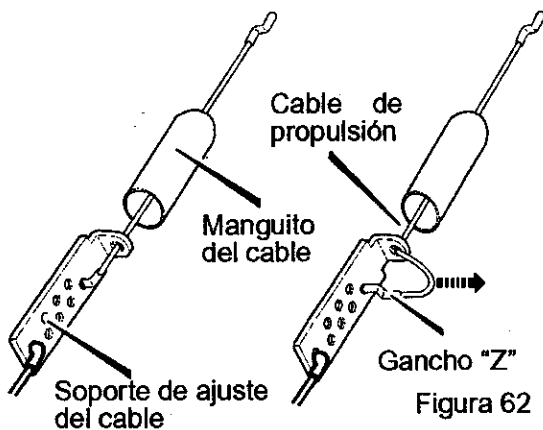


Figura 62

7. Meta la parte inferior del **cable de propulsión** por el **soporte de ajuste del cable** hasta que pueda sacar el **gancho "Z"**.
8. Saque el **gancho "Z"** del **soporte de ajuste del cable**. Mueva el **gancho "Z"** hacia abajo hasta el siguiente agujero de ajuste.
9. Jale el **cable de propulsión** por el **soporte de ajuste**.
10. Ponga el **manguito del cable** sobre el **soporte de ajuste del cable**.
11. Instale el **gancho "Z"** en la **palanca de propulsión** (Figura 59).
12. Para revisar el ajuste, baje la palanca de propulsión y compruebe la longitud de uno de los **resortes de propulsión**. Si el ajuste es el correcto, la longitud del **resorte de propulsión** es:
mín. 3 plg. (76 mm.)
máx. 3-3/8 plg (85 mm.)
(Figura 63).

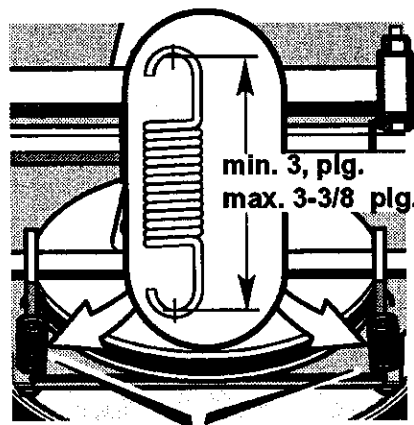


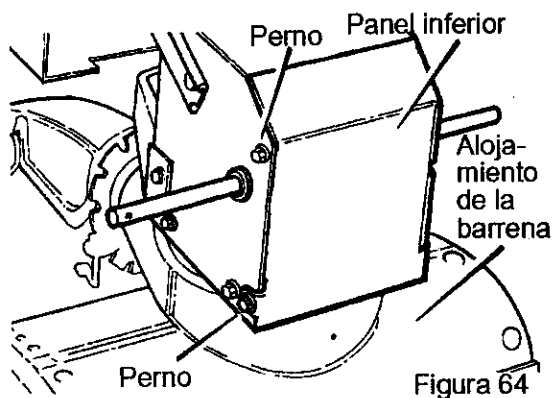
Figura 63

CÓMO AJUSTAR O REEMPLAZAR LA RUEDA DE FRICCIÓN

Cómo revisar la rueda de fricción

Si el quitanieves no avanza, revise la correa de propulsión por tracción, el cable de propulsión o la rueda de fricción. Si la rueda de fricción está gastada o dañada, hay que cambiarla. Ver "Reemplazo de la rueda de fricción" en esta sección. Si la rueda de fricción no está gastada o dañada, revísela de la siguiente manera.

1. Deje el motor en marcha hasta que el tanque de combustible quede vacío y el motor se pare.
2. Ponga el quitanieves en posición vertical sobre la parte delantera del **alojamiento de la barrena** (Figura 64).
3. Desconecte el cable de la bujía.
4. Afloje los **pernos** a cada lado del **panel inferior** (Figura 64).
5. Quite el **panel inferior**.
6. Ponga la **palanca de cambio de velocidades** en la posición más lenta de velocidad de avance.



7. Fijese en la posición de la **rueda de fricción** (consulte la Figura 65). La distancia correcta "A" desde el lado derecho de la **rueda de fricción** hasta la parte exterior de la caja del motor es la siguiente:

Tamaño llanta	Distancia "A"
----------------------	----------------------

12 y 13 pulgs.	4-1/8"
16 pulgs.	4-5/16"

Si la rueda de fricción no está en la posición correcta, ajústela de acuerdo a las instrucciones siguientes.

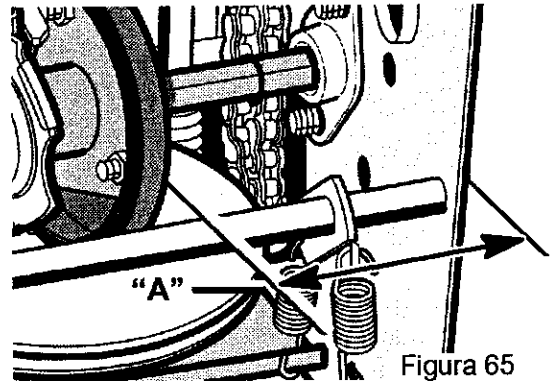


Figura 65

Cómo ajustar la rueda de fricción

1. Coloque la **palanca de cambio de velocidades** en la posición más lenta de velocidad de avance.
2. Afloje los pernos en la **vara de control de velocidad** (Figura 66).
3. Mueva la **rueda de fricción** a la posición correcta (Figura 65).
4. Apriete los **pernos** que hay en la **vara de control de velocidad** (Figura 66).
5. Instale el **panel inferior** (Figura 64).
6. Apriete los **pernos** que hay a cada lado del **panel inferior**.

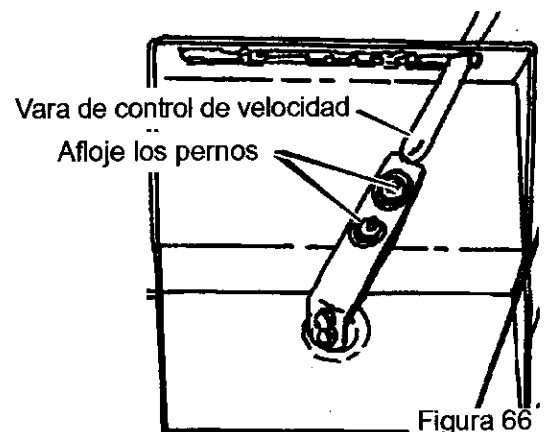


Figura 66

SERVICIO Y AJUSTES

Cómo reemplazar la rueda de fricción

Si la rueda de fricción está gastada o dañada, el quitanieves no avanza. La rueda de fricción se debe cambiar de la siguiente manera.

1. Deje el motor en marcha hasta que el tanque de combustible quede vacío y el motor se pare.
2. Ponga el quitanieves en posición vertical sobre la parte delantera del alojamiento de la barrena (4). (Figura 64).
3. Desconecte el cable de la bujía.
4. Quite los sujetadores que fijan la llanta derecha. Quite la llanta derecha del eje (Figura 67)
5. Afloje los pernos que haya a cada lado del panel inferior.
6. Quite el panel inferior.
7. Quite los sujetadores que fijan el engranaje de propulsión al eje (Figura 68).
8. Quite la llanta izquierda, el eje y el engranaje de propulsión.
9. Quite los cuatro pernos que retienen los cojinetes a cada lado del eje hexagonal (Figura 69).
10. Quite el eje hexagonal y los cojinetes.

NOTA: Fíjese especialmente en la posición de las arandelas en el eje hexagonal.

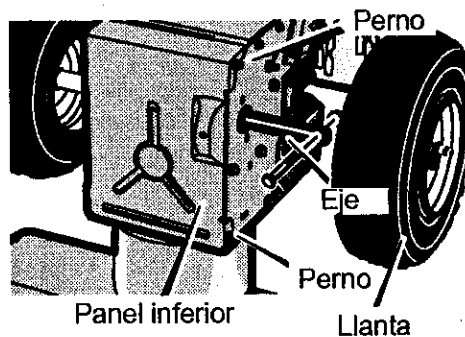


Figura 67

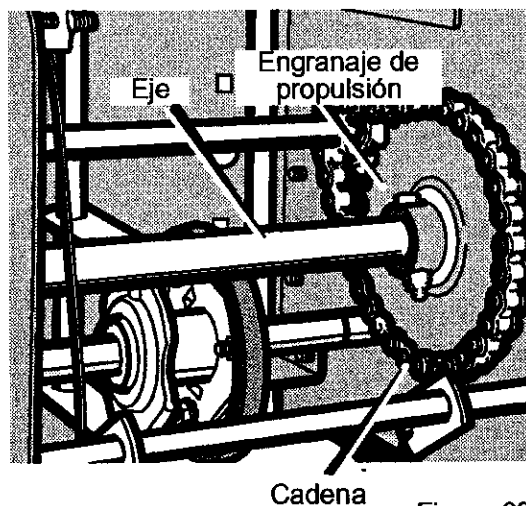


Figura 68

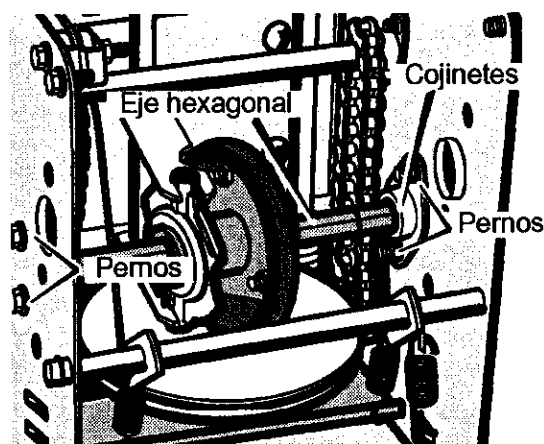


Figura 69

11. Quite los tres sujetadores que retienen la rueda de fricción en el cubo (Figura 70).

SERVICIO Y AJUSTES

12. Quite la **rueda de fricción** del **cubo**. Deslice la **rueda de fricción** fuera del **eje hexagonal**.
13. Instale la nueva **rueda de fricción** en el **cubo** con los sujetadores que quitó antes.
14. Instale el **eje hexagonal** y los **cojinetes** con los cuatro pernos que quitó antes (Figura 71).
Asegúrese de que haya instalado correctamente las arandelas en su posición original. Asimismo, compruebe que las dos arandelas estén correctamente alineadas con los brazos del impulsor.
15. Asegúrese de que el **eje hexagonal** gira libremente.
16. Instale la llanta izquierda, el **eje** y el **engranaje de propulsión** con los sujetadores que quitó antes. Instale la **cadena** en el **engranaje de propulsión** (Figura 68).
17. Revise el ajuste de la **rueda de fricción**. Consulte "Cómo ajustar la rueda de fricción" en esta sección.

18. Asegúrese de que la **rueda de fricción** y la **placa del propulsor de disco** no tienen ni **grasa** ni **aceite**.
19. Instale el **panel inferior** (Figura 67).
20. Apriete los **pernos** a cada lado del **panel inferior**.
21. Instale la **llanta derecha** en el **eje** con los sujetadores que quitó antes.
22. Conecte el cable de la **bujía**.

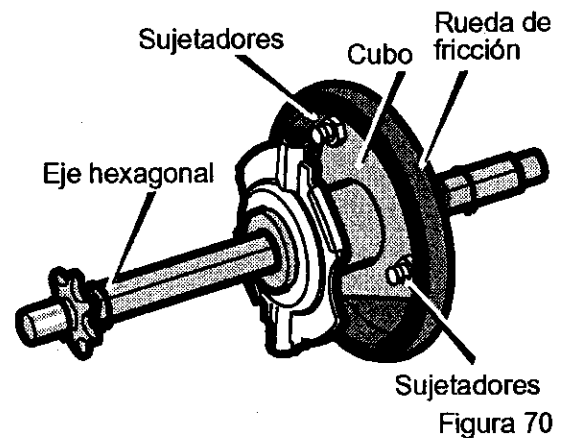


Figura 70

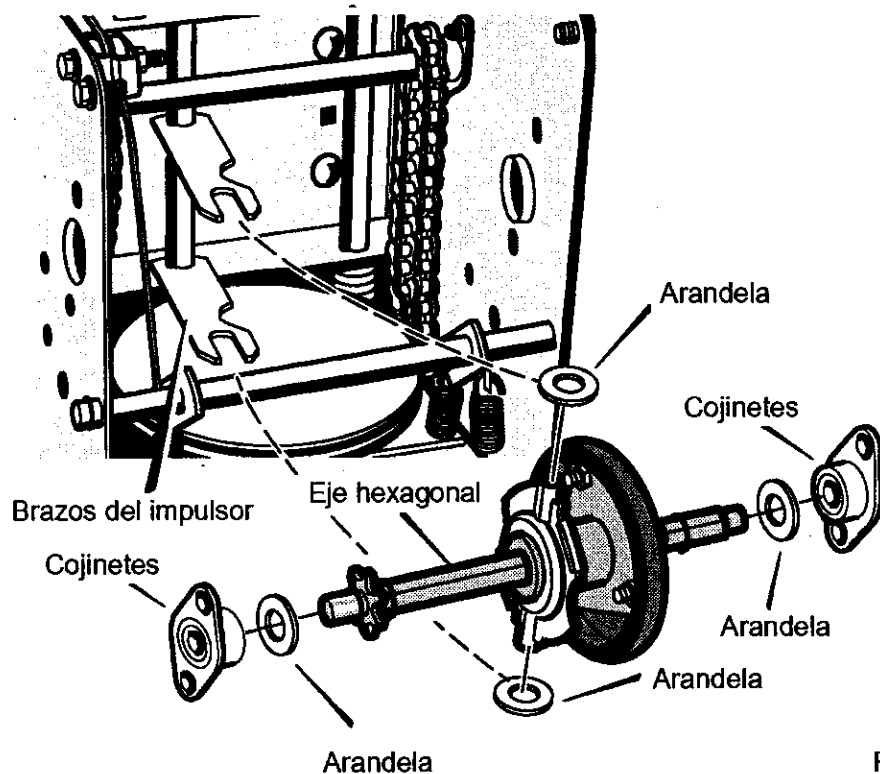


Figura 71

SERVICIO Y AJUSTES

CÓMO REEMPLAZAR LOS PERNOS DE SEGURIDAD DE LA BARRENA

Las barrenas están sujetas al eje de la barrena con pernos de seguridad especiales. Estos pernos están diseñados para romperse y proteger la máquina en caso de que un objeto se atasque en el alojamiento de la barrena. No use pernos duros pues perderá la protección de los pernos de seguridad.



ADVERTENCIA: Por razones de seguridad y para proteger la máquina, use solamente pernos de seguridad originales.

Para cambiar un perno de seguridad roto, proceda de la siguiente manera. En la bolsa de partes encontrará pernos de seguridad adicionales.

1. Mueva el control de aceleración a la posi-

ción de parada. Desenganche todos los controles.

2. Desconecte el cable de la bujía. Asegúrese de que todas las piezas móviles se hayan detenido.
3. Alinee el agujero de la barrena con el agujero del eje de la barrena. Instale el nuevo **pasador de seguridad y espaciador**. Figura 72.
4. Conecte el cable de la bujía.

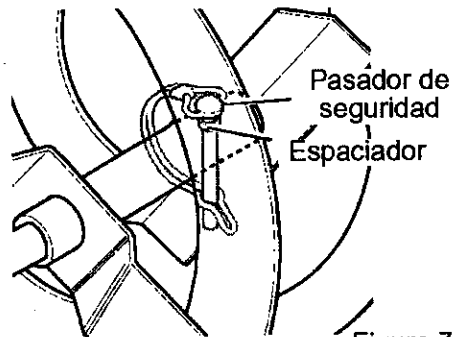


Figura 72

AJUSTE DEL CARBURADOR

Si piensa que su carburador necesita ser ajustado, comuníquese con su Centro de Servicio Sears más cercano. El rendimiento del motor no debe verse afectado en altitudes de hasta 2.100 m (7.000 pies). Para operar este motor en altitudes más elevadas, comuníquese con su Centro de Servicio Sears más cercano.

IMPORTANTE: Nunca experimente con el gobernador del motor, el cual está configurado de fábrica para la velocidad apropiada del

motor. El exceso de velocidad del motor por encima del ajuste de alta velocidad de fábrica puede ser peligroso. Si usted cree que la velocidad alta del gobernador del motor necesita ser ajustada, comuníquese con su Centro de Servicio Sears más cercano, el cual tiene el equipo y la experiencia apropiada para efectuar los ajustes necesarios. Para ubicar el Centro de Servicio Sears más cercano, llame al departamento de Servicio de Sears al 1-800-4-MY-HOME®.

ALMACENAMIENTO



ADVERTENCIA: Nunca guarde su quitanieves en ambientes interiores o en un área cerrada y mal ventilada. Si queda gasolina en el tanque, los vapores podrían alcanzar alguna llama expuesta, chispa o llama piloto de una caldera, calentador de agua, secadora de ropa, cigarrillo, etc.

Para prevenir el daño (si el quitanieves no se usa por más 30 días) prepárelo como se indica a continuación.

QUITANIEVES

1. Limpie todo el quitanieves.
2. Lubrique todos los puntos de lubricación. Consulte la sección de **Mantenimiento**.
3. Asegúrese de que todas las tuercas, pernos y tornillos estén bien apretados. Inspeccione todas las piezas móviles visibles para detectar daños, roturas y desgaste. Haga los reemplazos necesarios.
4. Retoque todas las superficies oxidadas o que tengan la pintura saltada; lijelas suavemente antes de aplicar la pintura.
5. Cubra las piezas de metal expuesto del soplador del alojamiento de la barrena y del impulsor, con un anticorrosivo, tal como un lubricante en aerosol.

NOTA: Una revisión o afinamiento anual hecho en un Centro de Servicio Sears es una buena manera de asegurar que su quitanieves le brinde el máximo rendimiento la siguiente temporada.

MOTOR

Deberá sacar la gasolina del tanque o prepararla para prevenir la formación de depósitos de goma en el tanque, filtro, manguera y carburador durante el almacenamiento. Además, durante el almacenamiento, la gasolina mezclada con alcohol que contiene etanol o metanol (llamada a veces gasohol) atrae agua, y ésta actúa sobre la gasolina formando ácidos que dañan el motor.

1. Deje el motor en marcha hasta que el tanque quede vacío y el motor se pare.
2. Si no quiere sacar la gasolina, use el estabilizador de combustible provisto con la unidad, o compre estabilizador de combustible Craftsman Núm. 3550. Añada el estabilizador de combustible a cualquier cantidad de gasolina que permanezca en el tanque para minimizar los depósitos de goma y ácido. Si el tanque está casi vacío, mezcle el estabilizador con gasolina fresca en un recipiente separado y añada un poco de esta mezcla al tanque.
3. Siempre siga las instrucciones del envase del estabilizador. Luego de añadir el estabilizador, encienda el motor y déjelo correr por 10 minutos por lo menos para permitir que la mezcla alcance el carburador.
4. Cambie el aceite del motor
5. Lubrique el área del pistón/cilindro. Para hacerlo, saque primero la bujía y coloque una gota de aceite de motor limpio en el zócalo de la bujía. Luego cubra el zócalo con un paño para absorber el exceso de aceite. A continuación, jale la manija de arranque manual unas dos o tres veces para hacer girar el motor. Finalmente, reinstale la bujía y conecte el cable.

OTRAS INDICACIONES

1. Si fuera posible, guarde su quitanieves dentro de un recinto, cubriéndolo para protegerlo del polvo y la suciedad.
2. Si debe guardar el quitanieves afuera, colóquelo sobre bloques para levantarlo del suelo.
3. Cubra el quitanieves con una cubierta protectora apropiada que no retenga humedad. No use plástico.

IMPORTANTE: Nunca cubra el quitanieves mientras las áreas del motor y del escape estén todavía calientes.

TABLA DE LOCALIZACIÓN DE AVERÍAS

PROBLEMA	CAUSA	CORRECCIÓN
Dificultad de arranque	Bujía defectuosa.	Reemplace la bujía defectuosa.
	Agua o suciedad en el sistema de combustible.	Saque el combustible del tanque. Añada combustible fresco.
El motor funciona erráticamente	Línea de combustible bloqueada, falta de combustible o mezcla de combustible vieja.	Limpie la línea de combustible; revise la existencia de combustible en el tanque, agregue gasolina fresca si es necesario.
El motor se para	Unidad funcionando con estrangulador activado.	Coloque la palanca de estrangulador en la posición DESACTIVADO.
El motor funciona erráticamente; pérdida de potencia	Agua o suciedad en el sistema de combustible.	Saque el combustible del tanque. Añada combustible fresco.
Vibración excesiva	Piezas sueltas; propulsor dañado.	Pare el motor inmediatamente. Saque la llave de encendido. Apriete todos los sujetadores y realice todas las reparaciones necesarias. Si la vibración continúa, lleva la unidad a su Centro de Servicio Sears.
La unidad no se puede propulsar a sí misma	Correa de propulsión por tracción floja o dañada.	Reemplace la correa de propulsión por tracción.
	Ajuste incorrecto del cable de propulsión por tracción.	Ajuste cable de propulsión por tracción.
	Rueda de fricción gastada o dañada.	Reemplace la rueda de fricción.
La unidad no descarga la nieve	Correa de propulsión de la barrena suelta o dañada.	Reemplace la correa de propulsión de la barrena.
	El cable de control de la barrena no está ajustado correctamente.	Ajuste el cable de control de la barrena.
	Perno de seguridad roto.	Reemplace el perno de seguridad.
	Canal de descarga obstruido	Pare el motor inmediatamente y desconecte el cable de la bujía. Limpie el canal de descarga y la parte de adentro del alojamiento de la barrena.
	Objeto extraño atascado en la barrena.	Pare el motor inmediatamente y desconecte el cable de la bujía. Retire el objeto atascado en la barrena.

SEARS, ROEBUCK AND CO.
**Garantía limitada de cumplimiento con el Sistema Federal
de control de emisiones y con el sistema de control de
emisiones del Estado de California**
Motores pequeños para vehículos todo terreno

**CONTROL DE EMISIONES DE
CALIFORNIA Y DE LA AGENCIA DE
PROTECCIÓN AMBIENTAL (EPA) DE
E.U.A. - DECLARACIÓN DE LA
GARANTÍA**

La Agencia de Protección Ambiental de los Estados Unidos ("EPA"), el Consejo de California para los Recursos del Aire ("CARB") y Sears, Roebuck and Co. tienen el placer de explicar lo que es la Garantía Federal y de California para Sistemas de Control de Emisiones de su nuevo motor pequeño para vehículos todo terreno. En California, los motores pequeños para vehículos todo terreno de modelo 1995 y modelos de años posteriores deben ser diseñados, construidos y equipados para cumplir con las estrictas normas anti contaminación del Estado. En otros estados, los motores modelo 1997 y modelos de años posteriores deben estar diseñados, construidos y equipados, al momento de su venta, para que cumplan con las disposiciones de la EPA acerca de motores pequeños para vehículos todo terreno. Sears, Roebuck and Co., garantizará el sistema para el control de emisiones de su motor pequeño para vehículos todo terreno por los periodos de tiempo que se mencionan más adelante, siempre y cuando su motor pequeño para vehículos todo terreno no haya sufrido algún abuso, negligencia, modificación no aprobada o mantenimiento indebido.

Su sistema para el control de emisiones puede incluir partes como el carburador, el sistema de encendido y el sistema de escape. También puede incluir el sistema de descompresión y otras unidades relacionadas con las emisiones.

Cuando surja una condición protegida por la garantía, Sears, Roebuck and Co., reparará su motor pequeño para vehículos todo terreno sin costo alguno para usted por concepto de diagnóstico, partes y mano de obra.

**SISTEMA PARA EL CONTROL DE
EMISIONES DEL FABRICANTE -
COBERTURA DE LA GARANTÍA**

Los sistemas para el control de emisiones del modelo 1995 y modelos de años posteriores de motores pequeños para vehículos todo terreno en California están garantizados por dos años, tal y como se menciona en la presente garantía. En otros estados, los motores modelo 1997 y modelos de años posteriores también están garantizados por dos años. En caso de que, durante dicho periodo de la garantía, cualquier pieza del motor, relacionada con emisiones esté defectuosa en sus materiales o mano de obra, Sears, Roebuck and Co., reparará o cambiará dicha pieza.

**RESPONSABILIDADES DEL
PROPIETARIO DE LA GARANTÍA**

Como propietario del motor pequeño para vehículos todo terreno usted es responsable de que se lleve a cabo el mantenimiento requerido que se menciona en el Manual del usuario, pero Sears, Roebuck and Co., no negará la garantía únicamente debido a la falta de un recibo o a que usted no proporcione una prueba escrita de que se ha llevado a cabo el mantenimiento programado.

No obstante, usted, como propietario del motor pequeño para vehículos todo terreno, deberá estar consciente de que Sears, Roebuck and Co., le puede negar la cobertura de la garantía si su motor o alguna parte del mismo ha fallado debido a abuso, negligencia, mantenimiento inadecuado o modificaciones no aprobadas.

Usted es responsable de presentar su motor pequeño para vehículos todo terreno en el Taller de Servicio Autorizado de Sears, Roebuck and Co., en cuanto surja el problema. Las reparaciones bajo la garantía deben llevarse a cabo dentro de un periodo de tiempo razonable que no exceda de 30 días.

Se puede programar el servicio de garantía llamando al Taller de Servicio Autorizado de

Sears, Roebuck and Co., o a Sears, Roebuck and Co., al 1-800-473-7247 (llamada gratuita en E.U.A.).

NOTA IMPORTANTE

Esta declaración de garantía explica los derechos y las obligaciones que usted tiene de conformidad con la Garantía del Sistema para el Control de Emisiones ("Garantía SCE"), la cual Sears, Roebuck and Co., le proporciona de conformidad con las leyes de California. Consulte también las Garantías Limitadas de Sears, Roebuck and Co., que se adjuntan a la Garantía SCE en una hoja aparte y que también le proporciona Sears, Roebuck and Co., La Garantía SCE únicamente se aplica en el sistema para el control de emisiones de su motor nuevo. Hasta el punto en donde no haya ningún conflicto en términos entre la Garantía SCE y la Garantía de Sears, Roebuck and Co., la Garantía SCE aplicará para cualquier circunstancia a excepción de aquella en que la Garantía de Sears, Roebuck and Co., pueda proporcionar un periodo de garantía más largo. La Garantía SCE y la Garantía de Sears, Roebuck and Co., describen importantes derechos y obligaciones que usted tiene con respecto a su motor nuevo.

Sólo se puede llevar a cabo el servicio de garantía en un Taller de Servicio Autorizado de Sears, Roebuck and Co. Al momento de solicitar un servicio de garantía, se debe presentar una prueba de la fecha de compra por parte del comprador original. El comprador pagará cualquier cargo por concepto de llamadas de servicio y/o transportación de productos desde y para el lugar en donde se lleve a cabo el trabajo de inspección y/o garantía. El comprador será responsable de cualquier daño o pérdida en el que se incurra con relación a la transportación de cualquier motor o cualquier parte del mismo que se presente para inspección y/o trabajo de garantía.

Si tiene alguna pregunta con relación a sus derechos y responsabilidades, deberá llamar a Sears, Roebuck and Co., al 1-800-473-7247.

GARANTÍA DEL SISTEMA PARA EL CONTROL DE EMISIONES

Garantía del Sistema para el Control de Emisiones ("Garantía SCE") de motores pequeños para vehículos todo terreno modelo 1995 y modelos de años posteriores en California (para otros estados, motores modelo 1997 y años posteriores):

A. CAMPO DE APLICACIÓN: Esta garantía deberá aplicarse a los motores pequeños para vehículos todo terreno modelo 1995 y modelos de años posteriores en California (para otros estados, motores modelo 1997 y modelos de años posteriores). El Periodo de la Garantía SCE se iniciará en la fecha de entrega del nuevo motor o equipo al comprador original y continuará durante los siguientes 24 meses consecutivos.

B. COBERTURA GENERAL DE LA GARANTÍA DEL SISTEMA PARA EL CONTROL DE EMISIONES: Sears, Roebuck and Co. garantiza al comprador original del nuevo motor o equipo y a cada comprador subsecuente que su motor pequeño para vehículos todo terreno está:

1. Diseñado, construido y equipado para que cumpla con todas las disposiciones aplicables adoptadas por el Consejo para los Recursos del Aire de conformidad con su autoridad especificada en los Capítulos 1 y 2, Parte 5, División 26 del Código de Salud y Seguridad, y
2. Libre de defectos en sus materiales y mano de obra, lo cual cause en cualquier momento durante el Periodo de la Garantía SCE, la falla de una parte relacionada con emisiones y que esté bajo la garantía en cuanto a que no sea idéntica en sus materiales a la parte descrita en la solicitud de motor del fabricante para su certificación.

C. La Garantía SCE sólo atañe a las partes de su motor relacionadas con emisiones de la siguiente manera:

1. Cualquier parte relacionada con emisiones que no se especifique como de cambio, tal y como se requiere en el mantenimiento especificado en el Manual del Propietario, deberá garantizarse por el Periodo de la Garantía SCE. Si dicha parte falla durante el Periodo de la Garantía SCE, Sears, Roebuck and Co. la reparará o cambiará de acuerdo con la Subsección 4 que se menciona más adelante. Cualquier parte reparada o cambiada de conformidad con la Garantía SCE deberá estar garantizada por el resto del Periodo de la misma.
2. Cualquier parte garantizada y relacionada con emisiones que esté especificada sólo para inspecciones regulares conforme al Manual del Propietario deberá estar garantizada por el Periodo de la Garantía SCE. Una declaración en dichas instrucciones por escrito a efecto de "reparar o cambiar tal y como sea necesario" no reducirá el Periodo de la Garantía SCE. Dicha parte reparada o cambiada conforme a la

Garantía SCE deberá garantizarse por el resto del Periodo de la misma.

3. Cualquier parte garantizada y relacionada con emisiones que se especifique para cambio, de conformidad con el Manual del Propietario, deberá garantizarse por el periodo de tiempo previo al primer punto de cambio de esa parte. Si la parte falla antes del primer cambio programado, Sears, Roebuck and Co. reparará o cambiará esa parte de acuerdo con la Subsección 4 que se menciona más adelante. Cualquier parte relacionada con emisiones que se repare o cambie de conformidad con la Garantía SCE deberá estar garantizada por el resto del Periodo de la misma previo al primer punto de cambio programado de esa parte relacionada con emisiones.

4. La reparación o el cambio de cualquier parte garantizada y relacionada con emisiones de conformidad con esta Garantía SCE se deberá llevar a cabo, sin cargo alguno para el propietario, en un Taller Autorizado de Servicio de Sears, Roebuck and Co.

5. No se cargará al propietario el costo por trabajo de diagnóstico, el cual lleva a la determinación de que una parte protegida por la Garantía SCE sí está defectuosa, provisto que dicho trabajo de diagnóstico se lleve a cabo en un Taller Autorizado de Servicio de Sears, Roebuck and Co.

6. Sears, Roebuck and Co. será responsable de daños a otros componentes originales del motor o modificaciones aprobadas que probablemente sean causados por una falla comprendida en la garantía de una parte relacionada con emisiones cubierta por la Garantía SCE.

7. Durante el Periodo de la Garantía SCE, Sears, Roebuck and Co. deberá conservar un suministro de partes garantizadas y relacionadas con emisiones que sea suficiente para cumplir la demanda esperada de esas partes relacionadas con emisiones.

8. Se puede utilizar cualquier parte de repuesto relacionada con emisiones autorizada y

aprobada por Sears, Roebuck and Co. para utilizarse en el desempeño de cualquier mantenimiento o cambio de la Garantía SCE, la cual se proporcionará sin cargo alguno para el propietario. Dicho uso no reducirá las obligaciones de Sears, Roebuck and Co. conforme a la Garantía SCE.

9. Las partes que se agreguen o modifiquen sin aprobación no se podrán utilizar para modificar o reparar un motor de Sears, Roebuck and Co. Dicho uso anula esta Garantía SCE y conformará las bases suficientes para rechazar la demanda de una Garantía SCE. Sears, Roebuck and Co. no será responsable, conforme a esta garantía, por las fallas de cualquier parte garantizada de un motor de Sears, Roebuck and Co. causadas por el uso de dicha parte agregada o modificada sin aprobación.

LAS PARTES RELACIONADAS CON EMISIONES INCLUYEN A LAS SIGUIENTES:

1. Unidad del carburador y sus componentes internos
 - a) Filtro de combustible
 - b) Empaques (juntas) del carburador
 - c) Tubo de entrada
2. Unidad de filtro de aire
 - a) Elemento del filtro de aire
3. Sistema de encendido, que incluye:
 - a) Bujía de encendido
 - b) Módulo de encendido
 - c) Ensamblaje del volante
4. Silenciador catalítico (si está equipado)
 - a) Empaque del silenciador (si está equipado)
 - b) Colector de escape (si está equipado)
5. Ensamblaje del respiradero del cárter del cigüeñal y sus componentes
 - a) Tubo de conexión del respiradero

10/22/99 EPA/CARB

Sears, Roebuck and Co., Hoffman Estates, IL 60179 U.S.A.

Get it fixed, at your home or ours!

Your Home

For repair – **in your home** – of **all major brand appliances, lawn and garden equipment, or heating and cooling systems, no matter who made it, no matter who sold it!**

For the replacement parts, accessories and owner's manuals that you need to do-it-yourself.

For Sears professional installation of home appliances and items like garage door openers and water heaters.

1-800-4-MY-HOME® Anytime, day or night
(1-800-469-4663) (U.S.A. and Canada)
www.sears.com www.sears.ca

Our Home

For repair of carry-in products like vacuums, lawn equipment, and electronics, call or go on-line for the nearest **Sears Parts and Repair Center.**

1-800-488-1222 Anytime, day or night (U.S.A. only)
www.sears.com

To purchase a protection agreement (U.S.A.) or maintenance agreement (Canada) on a product serviced by Sears:

1-800-827-6655 (U.S.A.) **1-800-361-6665** (Canada)

Para pedir servicio de reparación a domicilio, y para ordenar piezas:

1-888-SU-HOGARSM
(1-888-784-6427)

Au Canada pour service en français:

1-800-LE-FOYER^{MC}
(1-800-533-6937)
www.sears.ca



02410

© Sears, Roebuck and Co.

® Registered Trademark / TM Trademark / SM Service Mark of Sears, Roebuck and Co.

® Marca Registrada / TM Marca de Fábrica / SM Marca de Servicio de Sears, Roebuck and Co.

^{MC} Marque de commerce / ^{MD} Marque déposée de Sears, Roebuck and Co.