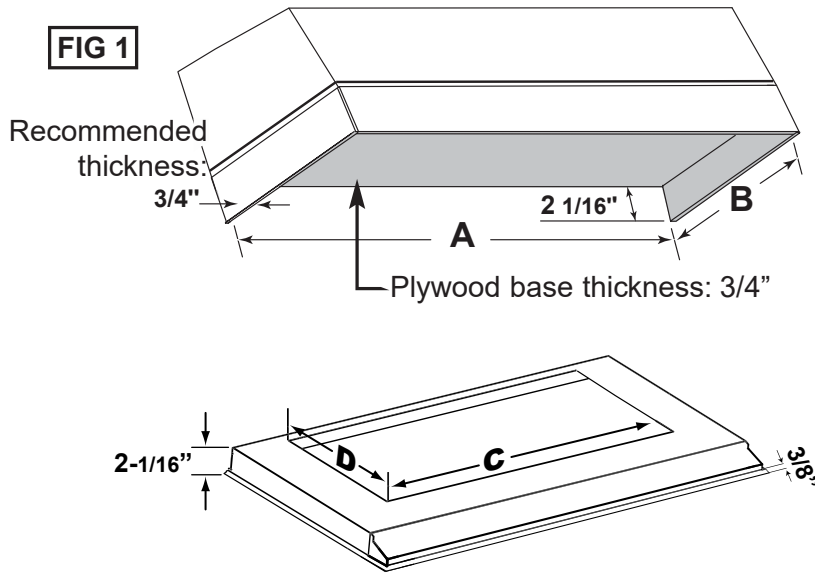




**WARNING:**

When building a custom hood for an insert, always follow all applicable construction codes and standards.

See the illustrations and table below to locate your liner choice and use corresponding custom hood base dimensions. For the liner installation, only the bottom of the custom hood is needed. Do not finalize the entire custom hood yet, because an opening is needed for the insert.



Liner Model	Insert Model	Custom Hood Exterior Width	*Inside Width (A)	*Inside Depth (B)	*Insert Cut-Out Width (C)	*Insert Cut-Out Depth (D)
AK0800AS	AK8000CS	30 inches	28 1/2"	17 1/8" - 20 1/8"	26 11/16"	10 1/2"
AK0836AS	AK8100BS AK8500AS	36 inches	34 1/2"			
AK0836AS	AK8134BS	36 inches	34 1/2"	17 1/8" - 20 1/8"	26 11/16"	10 1/2"
AK082360AS	AK8227AS	36 inches	34 1/2"	17 3/8" - 19 5/8"	26 1/4"	14"
AK083480AS	AK8340ASX	48 inches	46 1/2"	17 3/8" - 19 7/8"	39 1/4"	14"
AK083481AS				20 1/4" - 22 3/4"		
AK0840AS	AK8400BS	30 inches	28 1/2"	17 1/8" - 20 1/8"	19 3/4"	10 1/4"
AK0846AS	AK8400BS-ES	36 inches	34 1/2"			

\*Dimension does not include 3/8" wide flange around liner.

**FIG 1:** Zephyr recommends the base of the custom hood to be 3/4" thick plywood. The sides, front and backboard (if included) of the custom hood to be 3/4" thick, assuming standard cabinet widths.

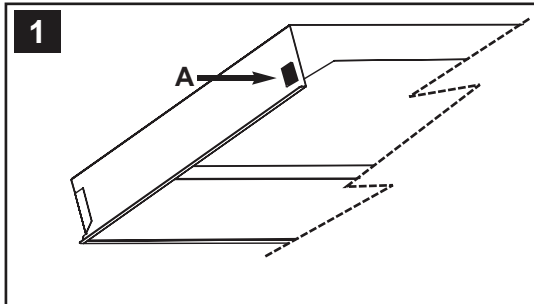
Consider the shape and size of the power pack to determine the configuration of the custom hood. For more details, refer to the installation manual of the power pack.

### CAUTION:

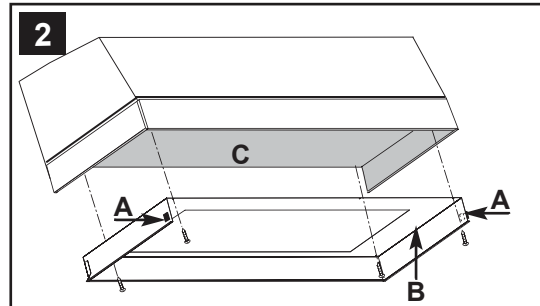
**Before installing, remove any protective film from all parts.**

The custom hood liner must be installed before the insert unit. For installation into shallow cabinets (17-5/8" to 21-1/2" inside depth) **the insert must be installed before the liner front panel section**. This must be done because the insert flange must fit under the liner front panel section when an overlap occurs.

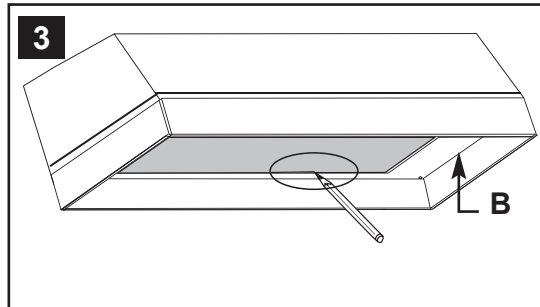
Refer to insert instructions for mounting height details.



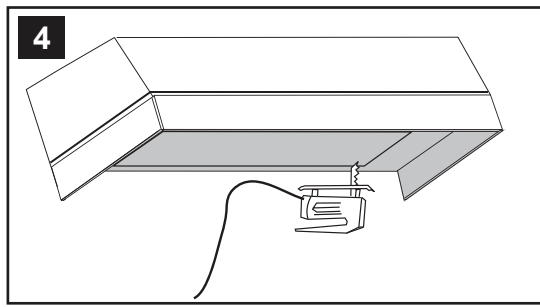
Install 1 small pad (A), included in the hardware package, to each side of the main liner plate. (See figures 1 and 2)



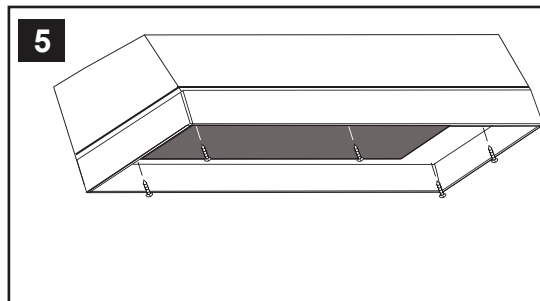
Temporarily install the main liner plate (B) to the external base of the custom hood (C). When inserting the main liner plate, push slightly on the pads (A) to prevent damage. Main liner plate should be positioned as far back as possible.



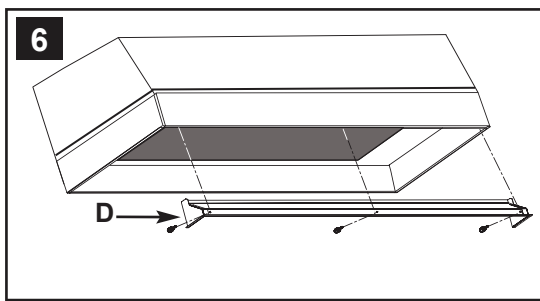
Using a pen, mark the outline of the future opening for the insert. Remove the main liner plate (B) from the custom hood.



Cut out an opening in the bottom of the custom hood.



Reinstall the main liner plate to the base of the custom hood and secure it with (5) 3/4" screws for 30"/36" custom hood exterior width and (6) for 48" custom hood exterior width.



Slide the front panel section (D) into the nose of the custom hood base. Take care not to scratch the main liner plate when installing the front panel section of the liner. Assemble it to the cabinet using (3) 1/2" screws for 30"/36" custom hood exterior width and (4) for 48" custom hood exterior width.

**Note: When installing the insert it will need to be secured to a wood surface and not only to the liner. See insert installation manuals for more detailed mounting instructions.**