

OWNER'S MANUAL TOP FREEZER REFRIGERATOR

Please read this manual carefully before operating your set and retain it for future reference.

Model Name:
LTN16385PL



AFN73165210

P/No. MFL62423830
www.lg.com

WARRANTY

Visit our web site <http://www.lg.com>

LG Electronics

LIMITED WARRANTY United States of America

LG Electronics will repair or at its option replace, without charge, your product which proves to be defective in material or workmanship under normal use during the warranty period listed below from the date of original purchase.

This warranty is good only to the original purchaser of the product during the warranty period as long as it is in the U.S. including Alaska, Hawaii, and U.S. Territories.

LG Refrigerator / Freezer Warranty Period

Product	Parts	Labor
Refrigerator / Freezer	1 year	1 year [In-Home Service (Except Model GR-051)]
Sealed System (Compressor, Condenser, Evaporator)	7 years	1 year [In-Home Service (Except Model GR-051)]

No other express warranty is applicable to this product. THE DURATION OF ANY IMPLIED WARRANTIES, INCLUDING THE IMPLIED WARRANTY OF MERCHANTABILITY, IS LIMITED TO THE DURATION OF THE EXPRESS WARRANTY HEREIN. LG ELECTRONICS SHALL NOT BE LIABLE FOR THE LOSS OF USE OF THE PRODUCT, INCONVENIENCE, LOSS OR ANY OTHER DAMAGES, DIRECT OR CONSEQUENTIAL, ARISING OUT OF THE USE OF OR INABILITY TO USE THIS PRODUCT OR FOR ANY BREACH OF ANY EXPRESS OR IMPLIED WARRANTY, INCLUDING THE IMPLIED WARRANTY OF MERCHANTABILITY APPLICABLE TO THIS PRODUCT.

Some States do not allow the exclusion or limitation of incidental or consequential damages or limitations on how long an implied warranty lasts; so these limitations or exclusions may not apply to you. This warranty gives you specific legal rights and you may also have other rights which vary from state to state.

THE ABOVE WARRANTY DOES NOT APPLY TO:

1. Service trips to your home to deliver and pickup, install, instruct, or replace house fuses or correct house wiring or plumbing, or correction of unauthorized repairs.
2. Damage to the product caused by accident, pests, fire, floods, or acts of God.
3. Repairs when your LG product is used in other than normal, single-family household use.
4. Damage resulting from accident, alteration, misuse, abuse, or improper installation.
5. Damages caused during and/or after delivery.
6. Display, discount, or refurbished units purchased with scratches, dents, or defects.

Proof of purchase is required and must be provided to LG in order to validate warranty.

Therefore, these costs are paid by the consumer.

If the product is installed outside the normal service area, any cost of transportation involved in the repair of the product, or the replacement of defective parts, shall be borne by the owner.

CUSTOMER ASSISTANCE NUMBERS:

To obtain Warranty Coverage:	Retain your Bill of Sale to prove date of purchase. A Copy of your Sales Receipt must be submitted at the time warranty service is provided.
To obtain Product or Customer:	Call 1-800-243-0000 (24 hrs a day, 7 days per week, 365 days per year).
Service Assistance:	Press the appropriate menu option, and have your product type (Refrigerator), model number, serial number, and ZIP/Postal Code ready.
To obtain the nearest Authorized Service Center:	Call 1-800-243-0000 (24 hrs a day, 7 days per week, 365 days per year) Press the appropriate option, and have your product type (Refrigerator), model number, serial number, and ZIP/Postal Code ready.

GARANTÍA

Visite nuestro sitio web <http://www.lg.com>

LG Electronics

GARANTÍA LIMITADA Estados Unidos de América

LG Electronics reparará o en su defecto reemplazará sin cargo, el producto defectuoso en material o mano de obra bajo uso normal durante el período de garantía que se menciona a continuación desde la fecha original de compra.

Esta garantía es válida solo para el comprador original del producto durante el período de garantía mientras permanezca en los E.E. U.U. Incluyendo Alaska, Hawaii y otros territorios de E.E.U.U.

Período de Garantía del Refrigerador/Congelador LG

Producto	Partes	Mano de Obra
Refrigerador / Congelador	1 año	1 año [Servicio a Domicilio (Excepto Modelo GR-051)]
Sistema Sellado (Compresor, Condensador, Evaporador)	7 años	1 año [Servicio a Domicilio (Excepto Modelo GR-051)]

No se aplicará otro tipo de garantía a este producto. LA DURACIÓN DE OTRAS GARANTÍAS, INCLUYENDO LA DE COMPRA, ESTÁN LIMITADAS A LA DURACIÓN DE ÉSTA GARANTÍA. LG ELECTRONICS NO SE HACE RESPONSABLE POR LA PÉRDIDA EN EL USO DEL PRODUCTO, POR INCONVENIENCIA O CUALQUIER OTRO DAÑO DIRECTO O CONSECUENTE QUE PROVENGA DEL USO Y/O NO USO DE ESTE PRODUCTO O POR ALGUNA VIOLACIÓN A LAS GARANTÍAS IMPLEMENTADAS INCLUYENDO LA GARANTÍA DE COMPRA APLICADA A ESTE PRODUCTO.

Algunos estados no permiten la exclusión o limitación de daños incidentales o consecuenciales o limitaciones en cuanto al tiempo que dura una garantía implícita; por lo que algunas de estas limitaciones o exclusiones pueden no aplicarse a usted. Esta garantía le otorga derechos legales específicos y usted puede además tener otros derechos los cuales varían de Estado a Estado.

LA GARANTIA ANTERIOR NO APLICA A :

1. Servicio a su casa para entregar, recoger, instalar o reemplazar fusibles caseros, corregir cableado casero o plomería corrección de reparaciones no autorizadas.
2. Daño al producto causado por accidente, plagas, incendios, inundaciones o actos por naturaleza.
3. Reparaciones cuando su producto LG sea usado diferente a lo normal.
4. Daño resultante de accidente, alteración, mal uso o instalación inadecuada.
5. Daños causados durante y después de la entrega.
6. Reemplazo, descuento o restauración de unidades compradas con rayones, abolladuras o defectos.

La prueba de la compra se requiere y se debe proporcionar a LG para validar la garantía.

Por lo tanto, estos costos serán pagados por el consumidor.

Si el producto es instalado fuera del área normal de servicio, cualquier costo de transportación relacionado en la reparación del producto, o el reemplazo de partes defectuosas, serán cargados al propietario.

NÚMEROS DE ASISTENCIA AL CLIENTE:

Para obtener cobertura de la Garantía:	Conserve su factura para comprobar la fecha de compra. Una copia de su recibo de compra debe ser entregada cuando se le proporcione el servicio de garantía.
Para obtener información:	Llame al 1-800-243-0000 (24 hrs al día, 7 días por semana, 365 días al año)
Servicio de Asistencia:	Presione la opción de menú apropiado, y tenga su tipo de producto (Refrigerador), número de modelo, número de serie, y ZIP / Código Postal listos.
Para obtener el Centro de Servicio Autorizado más cercano:	Llame al 1-800-243-0000 (24 hrs al día, 7 días por semana, 365 días al año). Presione la opción adecuada, y tenga su tipo de producto (Refrigerador), número de modelo, número de serie, y ZIP /código Postal listos.

TABLE OF CONTENTS

Warranty	1-2	Using your Refrigerator	10-13
		Ensuring Proper Air Circulation	10
		Adjusting the Controls	10
		Adjusting Control Settings	11
		Food Storage Guide	11
English Version	3	Storing Frozen Food	12
		Refrigerator Section	12
		Refrigerator Shelves	12
		Freezer Shelf	13
		Vegetable Drawer	13
Spanish Version	19	Compartments	13
		Ice Tray	13
Important Safety Instructions	4-5	Refrigerator Care and Cleaning	13-14
Requirements for Ground Connection	5	Refrigerator Cleaning	14
		Outside	14
		Inside Walls	14
		Door Liners & Gaskets	14
Parts and Features	6	Plastic Parts (Covers and Panel)	14
		Back Cover	14
		LED Light Replacement	14
		Power Interruptions	14
		When you Go on Vacation	14
		When you Move	14
Refrigerator Installation	7-9	Troubleshooting Guide	15-17
Unpacking	7		
Installation	7		
Closing and Aligning the doors	7		
Door Alignment	8		
How to remove and Install the Refrigerator Doors	8-9		

IMPORTANT SAFETY INSTRUCTIONS

SAFETY MESSAGES

This manual contains several important safety notices. Always read and obey all of the following safety messages.



This is the safety alert symbol. This symbol is a warning to potential dangers that could cause death, injury or damage to you, others or the product. All safety messages will follow after this warning symbol and the word "DANGER", "CAUTION" or "WARNING". These words mean:

DANGER

You may be killed or suffer fatal damage if you do not follow instructions.

WARNING

You may be killed or seriously injured if you do not follow instructions.

CAUTION

Indicates a potentially hazardous situation which, if not avoided, may result in minor injury or damage to the product.

All safety messages inform you of potential danger, advise you on how to reduce the risk of injury and tell you what can occur if the instructions are not followed.

WARNING

To reduce the risk of fire, electrical shock or personal injury, the following precaution measures should be followed:

- NEVER disconnect the refrigerator by pulling the power cord, always grip the plug firmly and disconnect it directly from the outlet.
- Immediately repair or replace all faulty or damaged service cables. Do not use cords that have cracks or abrasion damage on the length of the cord or on the plug.
- When moving your refrigerator, take care not to roll over the electrical cord.
- **DO NOT** store or use gasoline or other combustible liquids or vapors in proximity with this or any other electrical appliance.
- **DO NOT** permit children to climb, stand or swing from the doors or shelves of the refrigerator. This can cause serious injury to them and damage to the product.
- Keep your fingers away from areas in which they can become caught, such as the doors, hinges and cabinets. Be careful closing the doors when children are near.
- Unplug the refrigerator before cleaning or repairing.
NOTE: We strongly recommend that any repair services be performed by a qualified professional.
- Before replacing LED, unplug the refrigerator or shut down the circuit breaker to avoid contact with a live wire (the LED could break while being replaced).
- **NOTE:** Setting the control to the OFF position does not disconnect the power from the LED circuit.
- Do not keep bottles in the freezer compartment, they could explode after freezing and cause damage.
- For your safety, this product should be properly grounded. Have a qualified professional check the electrical circuit and outlet to ensure a proper ground connection.
- Read all instructions before use the product. Use this product only as explicitly expressed in this guide.
- Once the refrigerator is operating, avoid touching cold surfaces of the freezer with damp or wet hands; the skin could become adhered to these surfaces.
- **DO NOT** refreeze foods which have already thawed. The Department of Agriculture of the United States, in your Bulletin of Home and Gardens No. 69 establishes that:
"...You can refreeze food that has thawed if they contain ice crystals or are cold and below 40 °F (4 °C)".
"...Ground beef, perishable food or seafood that is discolored or has an unpleasant odor should not be frozen or consumed. Consumption of melted ice cream should also be avoided. If the odor or color of food is questionable, discard it. The food may be dangerous to consume".
"Partial thawing or refreezing reduces the quality of the food, especially fruit, vegetables and prepared meals. The quality of red meat is less affected than that of other foods. Use refrozen products as soon as possible in order to maintain their quality".

KEEP THESE INSTRUCTIONS

⚠ CAUTION

This appliance is not intended for use by children, persons with physical or mental disabilities, persons with reduced sensory or mental capacity, or persons that lack experience or know-how, unless they have supervision or instruction in relation to the use of the appliance by the person responsible for their safety. Children should be supervised to assure that they do not play with the appliance.

⚠ DANGER: CHILDREN MAY BECOME TRAPPED

Children becoming trapped or suffocated is not a problem of the past. Discarded and abandoned refrigerators are a hazard, even if they remain there "for just a few days". If you would like to dispose of your old refrigerator, please follow the instructions below to prevent any accidents.



BEFORE DISPOSING YOUR REFRIGERATOR OR FREEZER WHEN NO LONGER IN USE:

- Remove the doors.
- Leave the shelves in place so that children cannot easily become stuck in them.

CFC DISPOSAL

Your old refrigerator may have a cooling system that uses CFC's (chlorofluorocarbons). CFC affects the stratospheric layer of the ozone.

If you decide to throw out your old refrigerator, ensure that CFC contaminants are properly disposed by a qualified professional. If you intentionally remove the CFC refrigerant, you could be subject to fines or prison in accordance with environmental legislation in effect.

REQUIREMENTS FOR GROUND CONNECTION

IMPORTANT: Attentively read the following.

TO CONNECT ELECTRICITY

⚠ WARNING

ELECTRICAL SHOCK HAZARD

FOR YOUR PERSONAL SAFETY, this appliance must be properly grounded. Have a qualified electrician check your wall outlet to ensure that the plug is grounded properly.

It is your responsibility and obligation to replace two-prong outlets with that of an adequately grounded three-prong outlet.

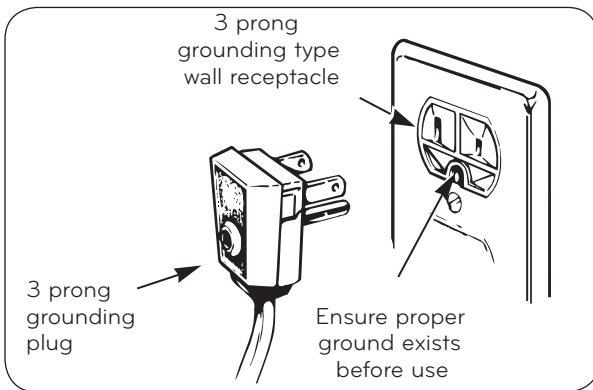
Do not, under any circumstance, cut or extract the third prong from the plug.

NOTE: Before installation, cleaning or replacing LED, you must disconnect the appliance from the power source. When finished, plug the appliance back in and adjust the thermostat to the desired position.

USE OF EXTENSION CABLES

We do not recommend the use of extension cables. However, if you still choose to utilize an extension cable, it is absolutely necessary that it is listed in the UL (in the United States) or CSA (in Canada), that it supports three-pronged plugs and that the electrical current support a minimum of 15 A and 120 V.

The use of an extension cable will increase the amount of space needed behind the refrigerator.



RECOMMENDED GROUNDING METHOD

Your refrigerator must always be plugged to its own outlet which is adequately grounded. The energy current should only be 115 V, 60 Hz, A. C. and fused at 15 or 20 A. This provides the best performance and prevents an overload which could cause a fire from the overheating of the cables. It is recommended that a separate circuit be used for this appliance, as well as a receptacle that cannot be disconnected with a switch.

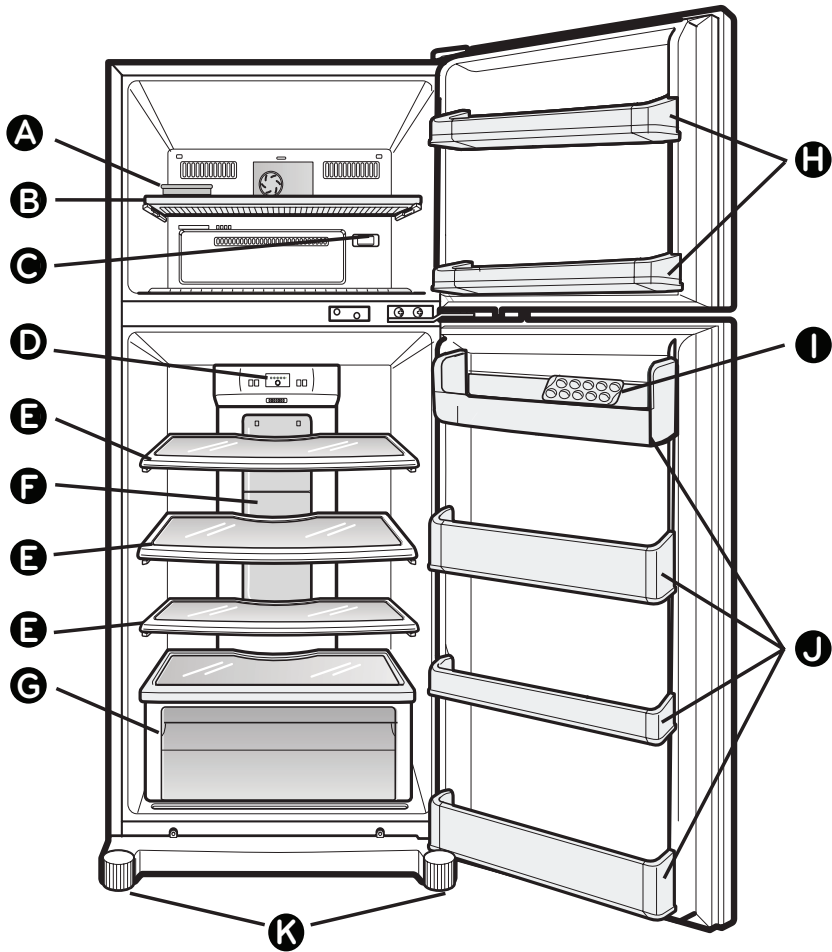
Do not use an extension cable.

⚠ WARNING

REPLACING ELECTRICAL CABLE

If the power cord is damaged, it must be replaced by our service center or qualified LG technician to avoid any risk.

PARTS AND FEATURES



Read this section to familiarize yourself with the parts and features of your new refrigerator.

NOTE: This guide covers different models. Your refrigerator could have some or all of the features and parts listed below. The location of some of the parts may not correspond to that of your model.

- | | |
|---|---|
| A Ice Tray | G Vegetables Drawer
Keeps fruits and vegetables fresh |
| B Freezer Shelf (Plastic) | H Freezer Door Racks |
| C Temperature Control (Freezer) | I Egg Tray |
| D Temperature Control (Refrigerator) | J Refrigerator Door Rack |
| E Refrigerator Shelves (Glass) | K Leveling Screws |
| F Refrigerator Light (LED) | |

REFRIGERATOR INSTALLATION

⚠ WARNING

EXCESSIVE WEIGHT HAZARD

Use the assistance of two or more persons to move or install the refrigerator. Not following these instructions may cause injury to the back and other parts of the body.

UNPACKING

Before installing your refrigerator, remove any tape or temporary stickers. Do not remove any stickers that feature warnings, the model serial number or the technical label of the product located on the back of the refrigerator.

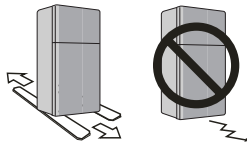
To remove adhesive tape residue, rub it well with your fingers and a little liquid detergent. Clean with warm water and let dry.

Do not use sharp instruments, rubbing alcohol, flammable liquids or abrasive cleaning products to remove the adhesive tape or glue. These products can damage the surface of your refrigerator. For more information, see the section "Important Safety Instructions".

The shelves come already installed in their factory position. Remove the shelves and replace them according to your spacing needs.

Moving Your Refrigerator:

Your refrigerator is extremely heavy. Make sure you protect the floor when moving your refrigerator for cleaning or servicing. Always pull your refrigerator straight out when moving it. Do not shift from side to side or "walk" the refrigerator when attempting to move it as this can cause damage to the floor.



⚠ WARNING

EXPLOSION HAZARD



Keep all flammable materials and vapors (such as gasoline) away from the refrigerator. Not following these instructions may cause death, explosion or fire.

INSTALLATION

1. Avoid placing the unit near heat sources, direct sunlight, or humidity.
2. To avoid vibration, the unit should be leveled. If needed, adjust the leveling screws to compensate for an unlevel floor. The front should be slightly taller than the rear to ensure that the doors close properly. The leveling screws can easily be turned by slightly tilting the front of the refrigerator, turning the leveling screws clockwise (↻) to raise it and counter-clockwise (↻) to lower it.

3. Install the refrigerator in an area between 50 °F (10 °C) and 109,4 °F (43 °C). If the surrounding temperature is lower or higher than previously mentioned, it can adversely affect the unit.

⚠ CAUTION. Avoid placing the unit near heat sources, direct sunlight or humidity.

ONCE INSTALLED

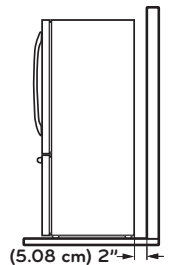
1. Carefully clean your refrigerator and remove and dust accumulated during shipping.
2. Install accessories such as the ice tray, door compartments, shelves, etc., in their proper places. These are already packed to prevent any possible damage during shipping.
3. Leave your refrigerator on for 2 to 3 hours before storing food inside. Verify that there is a flow of cold air in the freezer compartment to ensure proper cooling. Your refrigerator is now ready for use.

⚠ WARNING.

- Take care when working with the hinges, base cover and stops, etc. You may injure yourself.
- DO not place your hands or any tools in the air vents, the base cover or in the bottom of the refrigerator. This may cause injury or electrical shock.

KEEP A PROPER DISTANCE FROM ADJACENT OBJECTS

Please keep the refrigerator at an adequate distance from other objects. Insufficient spacing can reduce the refrigerator's freezing efficiency and increase electricity consumption.



CLOSING AND ALIGNING THE DOORS

Your refrigerator has two front leveling screws, one on the right and one on the left. If your refrigerator seems unstable or if you would like the doors to close more easily, simply adjust the inclination of the refrigerator by following the instructions below:

1. Plug the refrigerator into a 3 prong grounded outlet. Move the refrigerator into its final position.

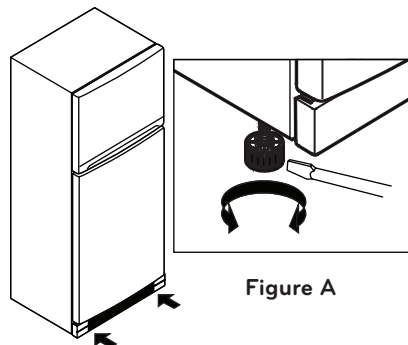


Figure A

REFRIGERATOR INSTALLATION

2. Use a flat head screwdriver to adjust the leveling screws (see Figure A), turning clockwise to raise the side of the refrigerator and counter-clockwise to lower it. It may take several turns to adjust it to the inclination you would like.

NOTE: Having someone push against the top of the refrigerator takes some weight off the leveling screws. This will make it easier to adjust the screws.

3. Open both doors again and check to make sure that they close easily. If not, tilt the refrigerator slightly more to the rear by turning both leveling screws clockwise. It may take several more turns, and you should turn both leveling screws the same amount.

DOOR ALIGNMENT

If the space between your doors is uneven, follow the instructions below to align the doors:

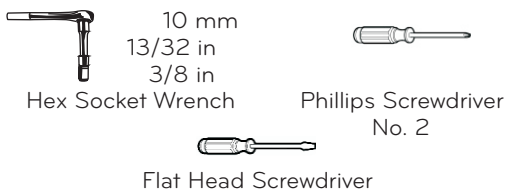
1. Using the Phillips screwdriver, loose the screw from the top-hinge cover, after this remove it with a flat head screwdriver.
2. Loosen the top hinge bolts using a 10 mm or 13/32 inch socket wrench or open-end wrench.
3. Have someone hold the freezer door so the space between the two doors is even, and retighten the top hinge bolts.
4. Replace the top hinge cover.

HOW TO REMOVE AND INSTALL THE REFRIGERATOR DOORS

If entrance is less than 32 inches (82 cm) wide, the refrigerator's door will need to be removed.

IMPORTANT: Before starting, turn off and unplug the refrigerator. Remove all food and the racks from the doors.

TOOLS YOU MIGHT NEED OR USE



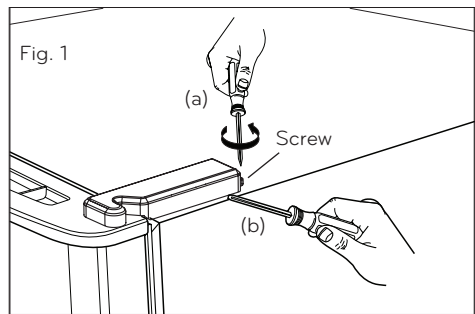
⚠ WARNING

ELECTRICAL SHOCK HAZARD

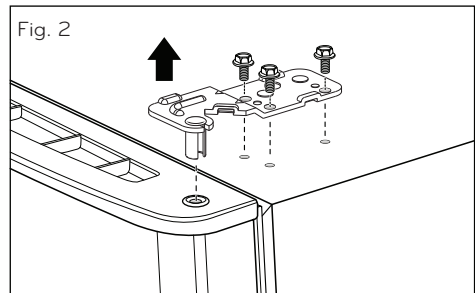
Before you begin, either unplug the refrigerator or turn off the power at the circuit breaker or fuse box. Remove food and any door rack from the refrigerator. Failure to do so could result in death or serious injury.

1. Removing the Freezer Door

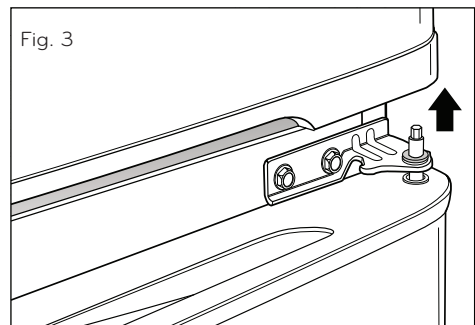
- Using the Phillips screwdriver, loose the screw from the top-hinge cover (a) after this remove it with a flat head screwdriver (b) (See Fig. 1).



- Using either a 10 mm or 13/32 in. socket wrench, remove the three bolts and lift off the top hinge. Set parts aside (See Fig. 2).

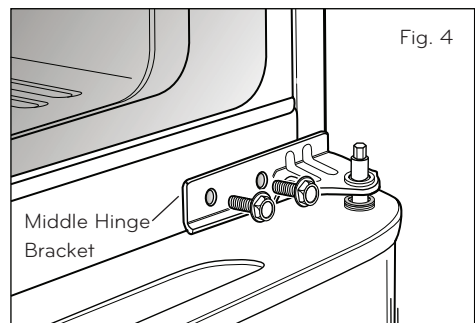


- Carefully lift up the freezer door. Place the door on a non-scratching surface.



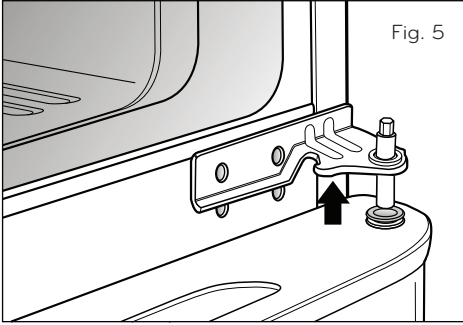
2. Removing the Refrigerator Door

- Loosen and remove the two bolts using the socket wrench (See Figure 4).

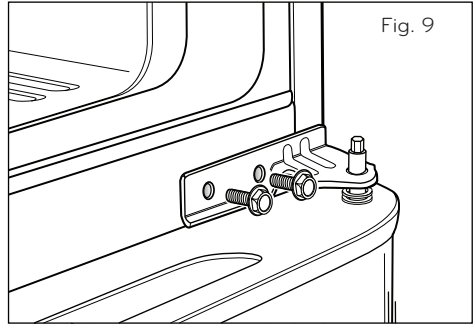


REFRIGERATOR INSTALLATION

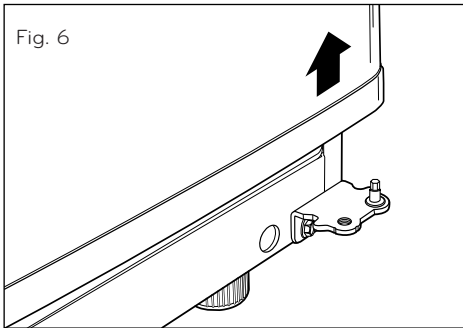
- Remove the middle hinge bracket (See Figure 5).



- Use the two bolts to refasten the middle hinge bracket and door to the refrigerator housing (See Figure 9).

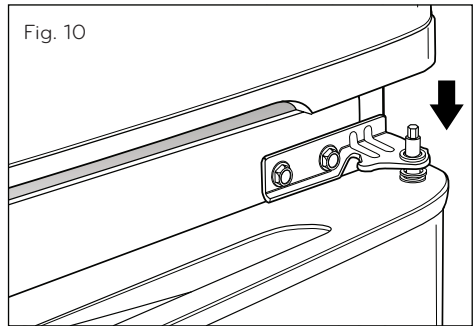


- Carefully lift up the door. Place the door on a non-scratching surface (See Figure 6).



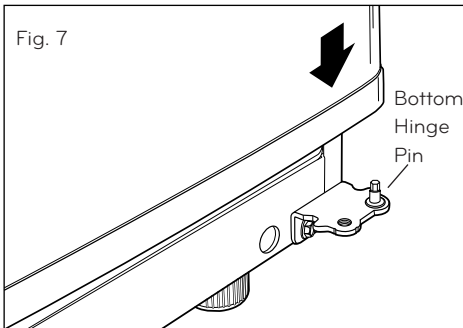
4. Replacing Freezer Door

- Set the freezer door onto the middle hinge pin (Fig 10).

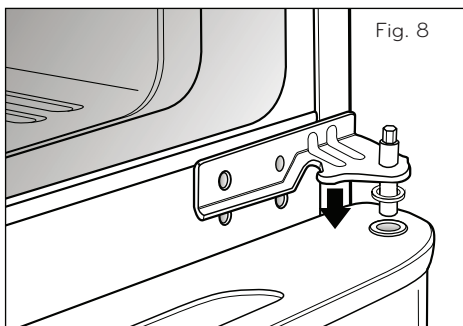
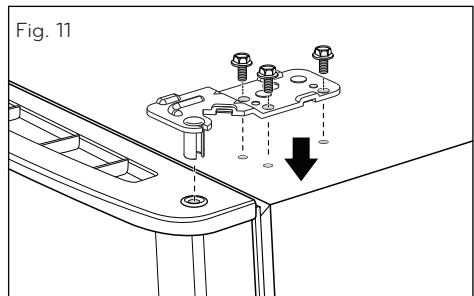


3. Replacing the Refrigerator Door

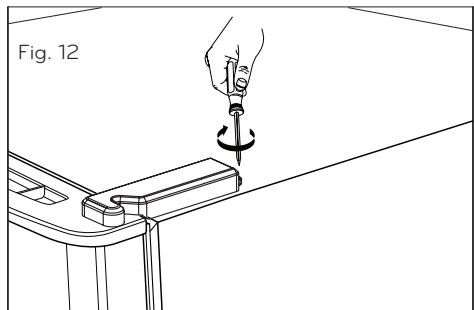
- Lower the door onto the bottom hinge pin (See Fig. 7).
- Place hinge pin of middle bracket inside the hinge pin insert on the top of the door (See Figure 8). Hold the door in place and line up the hinge with the holes in the refrigerator housing.



- Place the upper hinge pin in the top of the freezer door and line up the upper hinge with the holes on top of the refrigerator. Use the three bolts to replace the hinge (See Figure 11).



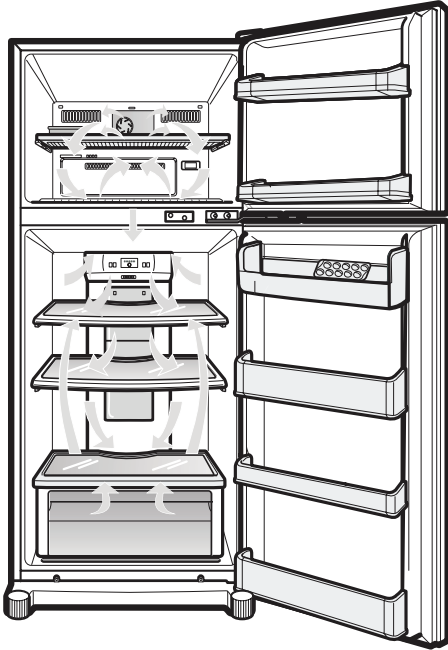
- Carefully place the top hinge cover back into place and tight the screw using a Phillips screwdriver (See Figure 12).



USING YOUR REFRIGERATOR

ENSURING PROPER AIR CIRCULATION

In order to obtain stable temperature, the air must flow between the freezer and refrigerator sections. As shown in the illustration below, the cold air enters through the bottom part and circulates upward. This air returns below the freezer floor and the rest of the air enters the refrigerator section through the top vent.



DO NOT block any of these vents with packages of food. This can interrupt the flow of air and cause temperature and moisture problems.

IMPORTANT: Because air circulates between both sections, any odors formed in one section will transfer to the other. You must thoroughly clean both sections to eliminate odors. To prevent odor transfer and drying out of food, make sure you wrap or cover foods tightly (See the **"Food Storage Guide"** section for details).

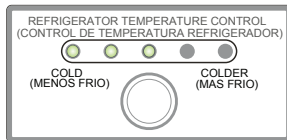
NOTE: If you close the fresh food compartment door applying more force than necessary, freezer door may get open and close again, due internal air flow of refrigerator.

ADJUSTING THE CONTROLS

Your refrigerator has two controls that allow you to regulate the temperature the freezer and refrigerator compartments.

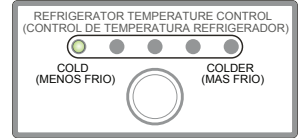
• Refrigerator Control

Initially set the Refrigerator Control on the middle setting (number 3). For doing this, press the button until the third light is on. This temperature is the recommended one for the optimum refrigerator performance.

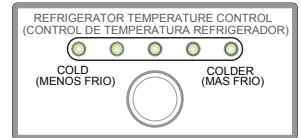


Leave the refrigerator on this setting for 24 hours to reach the correct temperature. After 24 hours, adjust the compartment temperature as you desire. **ALWAYS** wait 24 hours before you adjust the temperature. If you want to set the refrigerator compartment temperature to a warmer temperature than the current, continue pressing the button until it reaches the desired temperature.

Press the button repeatedly until the desired LED is lit.

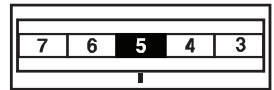
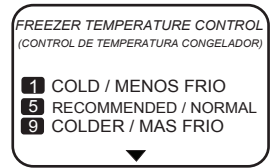


The first LED (Cold) is for the highest refrigerator temperature and the last LED (Colder) is for the coldest refrigerator temperature.



• Freezer Control

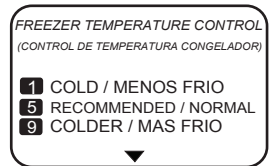
The freezer control should come from factory on the middle setting (number 5). Wait 24 hours before adjusting the freezer compartment temperature. Roll the knob to set the freezer temperature as you desire. **ALWAYS** wait 24 hours after any adjustment to reach the desired temperature.



Turn the dial until the desired number is selected. The higher the number, the colder the temperature.



Cold Temperature



Colder Temperature

USING YOUR REFRIGERATOR

ADJUSTING CONTROL SETTINGS

Give the refrigerator time to cool down completely before adding food. It is best to wait 24 hours before adding food to the refrigerator. The mid-settings indicated in the previous section should be correct for normal household refrigerator usage. The controls are set correctly when milk or juice is cold to your liking and ice cream is firm.

The refrigerator control functions as the thermostat for the entire appliance. The higher the number setting, the longer the compressor will run to keep the temperature colder. The freezer control adjusts the cold air flow from the freezer to the refrigerator. Setting the freezer control to a lower temperature keeps more cold air in the freezer compartment to make it colder.

If you need to adjust the temperature in the refrigerator or freezer, begin by adjusting the refrigerator first. Wait 24 hours after the refrigerator adjustment to check the freezer temperature. If it is too warm or too cold, then adjust the freezer control as well. Use the settings listed in the table below as a guide.

CONDITION/REASON:	RECOMMENDED ADJUSTMENT:
REFRIGERATOR section is too warm <ul style="list-style-type: none"> Opening the door often Adding a large amount of food Room temperature is very warm 	Adjust the REFRIGERATOR setting to the next highest number and wait 24 hours, then check.
FREEZER section is too warm/ ice is made too slowly <ul style="list-style-type: none"> Opening the door often Adding a large amount of food Room temperature is very low (not cycling often enough) Using ice frequently Air vents blocked by objects 	Adjust the FREEZER setting to the next highest number and wait 24 hours, then check. Remove any objects blocking air flow.
REFRIGERATOR section is too cold <ul style="list-style-type: none"> Controls not set correctly for your conditions 	Adjust the REFRIGERATOR setting to the next lowest number and wait 24 hours, then check.
FREEZER section is too cold <ul style="list-style-type: none"> Controls not set correctly for your conditions 	Adjust the FREEZER setting to the next lowest number and wait 24 hours, then check.

FOOD STORAGE GUIDE

Wrap or store food in the refrigerator in airtight and moisture-proof material unless otherwise noted. This prevents food odor and taste transfer throughout the refrigerator. For dated products, check date code to ensure freshness.

ITEMS	HOW TO STORE
Butter or margarine	Store opened butter in a covered dish or in a closed compartment. When storing a larger quantity, wrap in freezer packing and freeze.
Cheese	Store in original packaging until you are ready to use it. Once opened, rewrap tightly in plastic wrap or aluminum foil.
Milk	Wipe milk cartons. For best storage, place milk on interior shelf, not on door shelf.
Eggs	Store in original carton on interior shelf, not on door shelf.
Fruit	Wash, let dry, and store in refrigerator in plastic bags or in the crisper. Do not wash or hull fruit until you are ready to use them. Sort and keep fruit in its original container, in a crisper, or store in a completely closed paper bag on a refrigerator shelf.
Leafy Vegetables	Remove store wrapping and trim or tear off bruised and discolored areas. Wash in cold water and drain. Place in plastic bag or plastic container and store in crisper.
Vegetables with skins (carrots, peppers)	Place in bags or plastic container and store in vegetable drawer.
Fish	Use fresh fish and shellfish the same day purchased.
Leftovers	Cover leftovers with plastic wrap, aluminum foil, or plastic containers with tight lids.

STORING FROZEN FOOD

NOTE: For more information on how to prepare food to be frozen such in a way to see the period they can be stored consult a frozen food guide or cook book.

Packaging

A great freezing depends on how great you package the food. When you seal the package make sure you remove all excess air and do not allow humidity. A package that is incorrectly sealed will result in the transmission of bad odors, contaminants inside your refrigerator and will cause your foods to dry.

Packaging Recommendations:

- Use sealed plastic containers.
- Use plastic containers with a smooth surface.
- Package with aluminum foil of high resistance.
- Wrap with paper layered with plastic.
- Use water proof plastic.
- Use recommended plastic bags to store frozen foods.

USING YOUR REFRIGERATOR

Follow these packaging or container instructions in order to reach the best freezing.

Do not use:

- Bread Wrapping.
- Plastic container not safe for storing.
- Containers without lids or seals.
- Waxed paper or waxed plastic.
- Thin wrapping paper or not water proof.

Freezing

IMPORTANT: Do not keep bottles in the freezer compartment, they may explode after freezing and cause damage.

For the maximum use of your freezer do not store excess food. Do not introduce a large amount of unfrozen foods that cannot be frozen within 24 hours (no more than 2-3 pounds or 0,91 kg-1,36 kg of food per square inch of space in the freezer). Sufficient space must be left in order for the air to circulate properly around the packages. Leave enough space in order to close your refrigerator with out difficulty.

Storage times can vary depending on the type and quality of the food, the way its package, or packaging container used, (in comparison to air and humidity), and the temperature it being stored in. Ice crystals formed inside your package are normal it indicates the air and humidity inside your package have condensed.

NOTE: Let warm foods cool off at room temperature for approximately 30 minutes, then wrap accordingly with the methods mention above and freeze. By letting your warm foods cool off before you introduce them to your freezer it will save you energy.

⚠ WARNING

SUFFOCATING DANGER

Adequate ventilation is required when using dry ice. Dry ice is Carbon Dioxide (CO₂). When it evaporates it produces oxygen, causing dizziness, slight headaches, unconsciousness or death. Do not inhale these vapors and properly ventilate the room while in use of dry ice.

REFRIGERATOR SECTION

REFRIGERATOR SHELVES

The shelving of your refrigerator can be adjusted to comply with your storage necessities; depending on the model you have in can include glass shelving or plastic shelving. The storing of your foods together and adjusting the shelving to different heights will ease to help you locate what you need. This also helps your refrigerator to stay shut longer which will save you energy.

IMPORTANT: While your refrigerator glass shelving are cold do not clean with hot or warm water. The glass shelving may break if exposed to rapid temperature changes or hard impacts. For your safety the glass shelving are made out of tempered glass so when at breaking they will fracture into tiny fragments.

NOTE: Be careful while moving or relocating the shelves they are heavy. If moving the shelves is required keep in mind to locate them in a safe environment to prevent them from breaking.

In order to remove the refrigerator shelves follow the next instructions:

1. Take the shelf from the back.
2. Lift it from the bottom by using the necessary strength (Fig. 1).

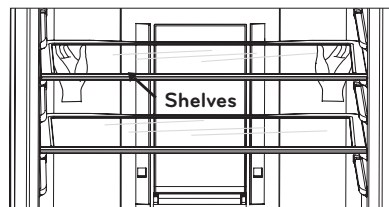
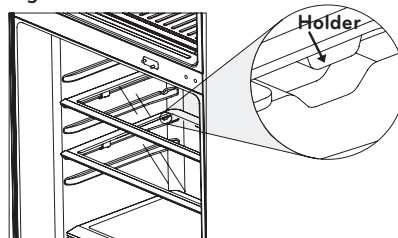


Fig. 1

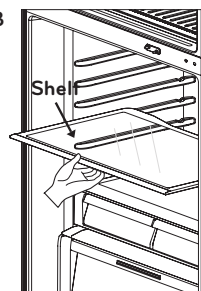
3. Release the locks (Fig. 2).

Fig. 2



4. Slide it towards outside (Fig. 3).

Fig. 3



NOTE: Make sure that the shelf is installed in the horizontal manner. If not secured it can cause the shelves to fall, which will cause your stored food to spill.

FREEZER SHELF

If you need to remove the shelf of the freezer, follow the next instructions for not damaging it:

1. Hold the shelf by the front part (Fig. 4).

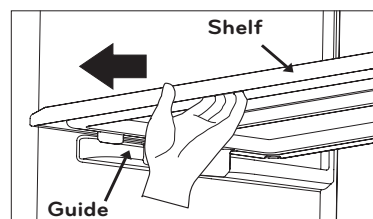
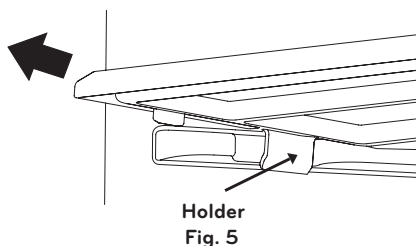


Fig. 4

USING YOUR REFRIGERATOR

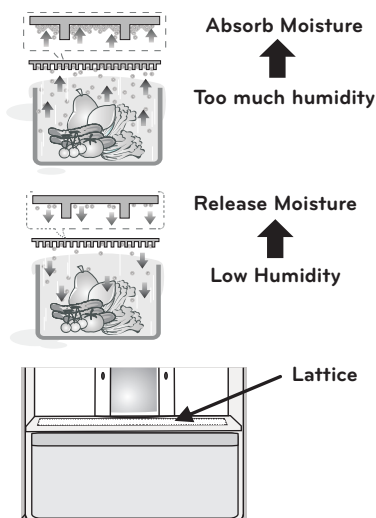
2. Pull the shelf outwards lifting it slightly until it leaves the hold from the bracket (Fig. 5).



VEGETABLE DRAWER

• Magic Crisper

The magic crisper allows a better preservation of your fruits and vegetables allowing to easily control the level of humidity inside. It has a vent located in the inner wall of the lid to let humidity in or out.

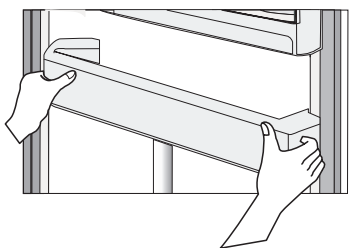


COMPARTMENTS

• Door Racks

Door racks can be taken off in order to clean them better.

1. To remove the rack, raise it and pull it.
2. To replace the rack again slide it on the desirable guide and push it down until it is tighten.



⚠ WARNING. Someone could get hurt if the racks are not well assembled.

⚠ CAUTION. DO NOT allow children play with baskets. Sharp corners on basket could cause injury.

NOTE: Empty the food charge before you move the containers.

ICE TRAY

Ice making

1. If the tray is filled with water to the highest level, it will be difficult to remove ice cubes.
2. For quick freeze, adjust the freezer dial to 9.



To remove ice cubes

1. Twist the tray. Do not bend the ice tray. Doing so may result in damage to the tray.
2. To remove ice cubes easily, pour water on the tray or soak it in water before removing ice cubes.



⚠ WARNING. Fill only with potable water.

REFRIGERATOR CARE & CLEANING SECTION

⚠ WARNING

EXPLOSION HAZARD



Use non-flammable cleaner. Failure to do so can result in fire, explosion or death.

Both the refrigerator and freezer sections defrost automatically; however, clean both sections about once a month to prevent odors. Wipe up spills immediately.

GENERAL CLEANING TIPS

- Unplug refrigerator or disconnect power.
- Remove all removable parts, such as shelves, crispers, etc. Refer to section "Using Your Refrigerator" for removal instructions.
- Use a clean sponge or soft cloth and a mild detergent in warm water. Do not use abrasive or harsh cleaners.
- Hand wash, rinse and dry all surfaces thoroughly.
- Plug in refrigerator or reconnect power.

OUTSIDE

Waxing external painted metal surfaces helps provide rust protection. Do not wax plastic parts. Wax painted metal surfaces at least twice a year using appliance wax (or auto paste wax). Apply wax with a clean, soft cloth. For products with a stainless steel exterior, use a clean sponge or soft cloth and a mild detergent in warm water. Do not use abrasive or harsh cleaners. Dry thoroughly with a soft cloth.

NOTE: Avoid the usage of chemical products that contain phosphates or bleach.

REFRIGERATOR CARE & CLEANING

INSIDE WALLS (Allow freezer to warm up so the cloth will not stick)

To help remove odors, you can wash the inside of the refrigerator with a mixture of baking soda and warm water. Mix 2 tablespoons of baking soda to 1 quart of water (26 g soda to 1 liter water.) Be sure the baking soda is completely dissolved so it does not scratch the surfaces of the refrigerator.

CAUTION. While cleaning the inside, do not spray water.

DOOR LINERS AND GASKETS

Use a clean sponge or soft cloth and a mild detergent in warm water. Do not use cleaning waxes, concentrated detergents, bleaches, or cleaners containing petroleum on plastic refrigerator parts.

PLASTIC PARTS (Covers and Panels)

Use a clean sponge or soft cloth and a mild detergent in warm water. Do not use window sprays, abrasive cleansers, or flammable fluids. These can scratch or damage the material.

BACK COVER

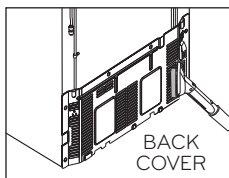
WARNING

ELECTRICAL SHOCK HAZARD

Before you begin, either unplug the refrigerator or turn off power at the circuit breaker or fuse box.

NOTE: Back Cover should only be removed by a qualified technician.

In order to get an efficient performance of your refrigerator, clean the back cover of it at least twice a year.



LED LIGHT REPLACEMENT

WARNING

ELECTRICAL SHOCK HAZARD

Before replacing the LED light, either unplug the refrigerator or turn off power at the circuit breaker or fuse box.

NOTE: The refrigerator compartment light is LED interior lighting, and service should be performed by a qualified technician.

POWER INTERRUPTIONS

In case of a black out, call your electric company and ask how long it will last.

1. In case of a 24 hour or less black out, do not open the refrigerator; this will keep the food fresh.
2. In case of a longer black out, do one of the following options:
 - Pull out all of the frozen food and keep them in an ice chest.
 - Put 2 lbs (907 g) of frozen ice (make sure you use

gloves) for each square foot (28 L) inside the freezer. This task will preserve the food for 2 to 4 days.

- In case you do not possess neither ice chest or dry ice, consume your food as soon as possible.

REMEMBER: In a power failure, a full freezer stays cold longer than a partially filled one. A freezer full of meat stays cold longer than a freezer full of baked goods. If you see that food contains ice crystals, it may be safely refrozen, although the quality and flavor may be affected. If the condition of the food is poor or if you feel it unsafe, dispose of it.

WHEN YOU GO ON VACATION

If you choose to leave the refrigerator on while you are away, follow these steps to prepare your refrigerator before you leave.

1. Use up any perishables and freeze other items.
2. Empty the ice bin.

If you choose to turn the refrigerator off before you leave, follow these steps:

1. Remove all food from the refrigerator.
2. Unplug your refrigerator.
3. Clean the refrigerator, wipe it and dry well.
4. Tape rubber or wood blocks to the tops of both doors to prop them open far enough for air to get in. This stops odor and mold from building up. Remove all of the food.

WHEN YOU MOVE

When you are moving your refrigerator to a new home, follow these steps to prepare it for the move.

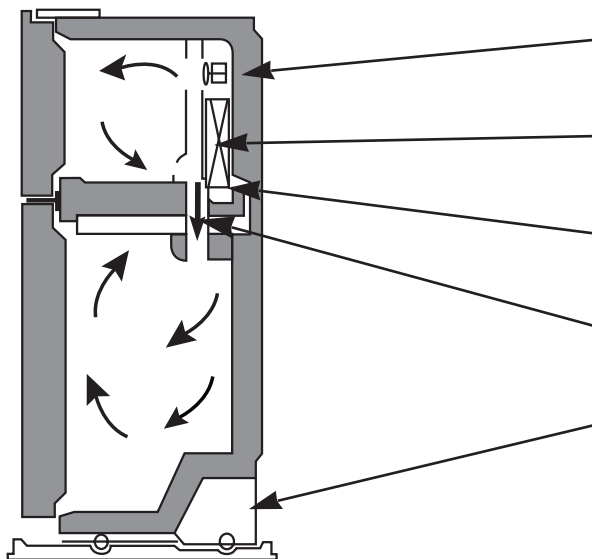
1. Remove all food from the refrigerator and pack all frozen food in dry ice.
2. Unplug your refrigerator.
3. Empty the water from its tray.
4. Clean, wipe and dry thoroughly.
5. Take out all removable parts, wrap them well and tape them together so they do not shift and rattle during the move. Refer to the "Using your Refrigerator" section for removable instructions.
6. Depending on the model, raise the front of the refrigerator so it rolls easier or screw in the leveling legs all the way so they do not scrape the floor. See the section "Closing and Aligning Doors".
7. Tape the doors shut and tape the power cord to the refrigerator cabinet.

When you get to your new home, put everything back and refer to the "Refrigerator Installation" section for preparation instructions.

TROUBLESHOOTING GUIDE

UNDERSTANDING SOUNDS YOU MAY HEAR

Your new refrigerator might produce certain noises that your previous refrigerator did not. It is normal if you worry. Most of the new sounds you will be hearing are actually normal and expected. Hard surfaces like walls or floor can increase sounds and make them sound louder than they really are. The following list has a description of such sounds along with their causes.



- Rattling noises may come from the flow of refrigerant, the water line or items stored on top of the refrigerator.
- Your refrigerator is designed to run more efficiently to keep your food items at the desired temperature. The high efficiency compressor may cause your new refrigerator to run longer than your old one and you may hear a pulsating or high-pitched sound.
- You may hear the evaporator fan motor circulating the air through the refrigerator and freezer compartments.
- As each cycle ends, you may hear a gurgling sound due to the refrigerant flowing in your refrigerator.
- Contraction and expansion of the inside walls may cause a popping noise.
- Water dripping on the defrost heater during a defrost cycle may cause a sizzling sound.
- You may hear air being forced over the condenser by the condenser fan.
- You may hear water running into the drain pan during the defrost cycle.
- The defrost timer will click when the automatic defrost cycle begins and ends. The refrigerator control, depending on the model) will also click when cycling on and off.
- Due to refrigerator's low energy consumption design, the fans will remain off by the door switch activates the inner compartment light.

Problem	Possible Causes	Solutions
Refrigerator is not cooling	<ul style="list-style-type: none"> • The power supply cord is unplugged. • A household fuse has blown or a circuit breaker has tripped. • The refrigerator is in the defrost cycle. 	<ul style="list-style-type: none"> • Firmly plug the cord into a live outlet with proper voltage (see Requirements for Ground Connection). • Replace the fuse or reset the circuit breaker. If the problem persists, contact an electrician. • Wait about 30 minutes for defrost cycle to end.
Strange sounds or snoozing (Vibrations)	<ul style="list-style-type: none"> • The refrigerator is not correctly positioned. 	<ul style="list-style-type: none"> • You need to adjust the leveling screws due the floor is unlevelled or weak. Read the Installation section.
Lights do not work	<ul style="list-style-type: none"> • The power supply cord is unplugged. • The LED light does not work. 	<ul style="list-style-type: none"> • Plug the refrigerator in a right voltage plug. • Read the section LED Light Replacement.
Compressor seems to run too much	<ul style="list-style-type: none"> • The refrigerator that was replaced was an older model. • The room temperature is hotter than usual. 	<ul style="list-style-type: none"> • Modern refrigerators require more operating time but use less energy due to more efficient technology. • The compressor will run longer under warm conditions. At normal room temperatures 70 °F (21 °C) expect your compressor to run about 40% to 80% of the time. Under warmer conditions, expect it to run even more often. The refrigerator should not be operated above 110 °F (43 °C).

TROUBLESHOOTING GUIDE

Problem	Possible Causes	Solutions
Compressor seems to run too much	<ul style="list-style-type: none"> • The door is opened often or a large amount of food has just been added. • The refrigerator was recently plugged in and the refrigerator control was set correctly. • The refrigerator control is not set correctly for the surrounding conditions. • The doors are not closed completely. • The back cover is dirty. 	<ul style="list-style-type: none"> • Adding food and opening the door warms the refrigerator, requiring the compressor to run longer in order to cool the refrigerator back down. In order to conserve energy, try to get everything you need out of the refrigerator at once, keep food organized so it is easy to find, and close the door as soon as the food is removed (Refer to the Food Storage Guide). • The refrigerator will take up to 24 hours to cool completely. • See the Adjusting Control Settings section. • Firmly push the doors shut. If they will not shut all the way, see Doors will not close completely in the Troubleshooting section. • This prevents air transfer and makes the motor work harder. Clean the back cover. Refer to the Refrigerator Care and Cleaning section.
Doors will not close completely	<ul style="list-style-type: none"> • The refrigerator is not level. • Food packages are blocking the door open. • The ice bin, crisper cover, pans, shelves, door bins or baskets are out of position. • The gaskets are sticking. • The refrigerator wobbles or seems unstable. • The doors were removed during product installation and not properly replaced. 	<ul style="list-style-type: none"> • See the Refrigerator Installation section. • Rearrange food containers to clear door and door shelves. • Push bins all the way in and put crisper cover, pans, shelves and baskets into their correct positions. See the Using your Refrigerator section for more information. • Clean gaskets and the surfaces that they touch. Rub a thin coat of appliance polish or kitchen wax on the gaskets after cleaning. • Level the refrigerator. Refer to Closing and Aligning the Doors for more information. • Remove and replace the doors according to the How to Remove and Install the Refrigerator Doors section or call a qualified technician.
Frost or ice crystals on frozen food	<ul style="list-style-type: none"> • The door is not closing properly. • The door is frequently opened. 	<ul style="list-style-type: none"> • See Doors Will not Close Completely in the Troubleshooting section. • When the door is opened, warm, humid air is allowed in the freezer, resulting in frost.
There is water in the defrost drain pan	<ul style="list-style-type: none"> • The refrigerator is defrosting. • It is more humid than normal. 	<ul style="list-style-type: none"> • The water will evaporate. It is normal for water to drip into the defrost pan. • Expect that the water in the defrost pan will take longer to evaporate. This is normal when it is hot or humid.
Ice has bad taste or odor	<ul style="list-style-type: none"> • The ice has been stored for too long. • The food has not been wrapped tightly in either compartment. • The interior of the refrigerator needs cleaning. • The ice storage bin needs cleaning. 	<ul style="list-style-type: none"> • Throw away old ice and make a new supply. • Rewrap foods since odors may migrate to the ice if food is not wrapped properly. • Read the section Refrigerator Care and Cleaning. • Empty and wash bin. Discard old cubes.
The refrigerator seems to make too much noise	<ul style="list-style-type: none"> • The sounds may be normal for your refrigerator. 	<ul style="list-style-type: none"> • Refer to the Understanding Sounds You May Hear section for more information.
The doors are difficult to open	<ul style="list-style-type: none"> • The gaskets are dirty or sticky. 	<ul style="list-style-type: none"> • Clean the gaskets and the surfaces that they touch. Rub a thin coat of appliance polish or kitchen wax on the gaskets after cleaning.

TROUBLESHOOTING GUIDE

Problem	Possible Causes	Solutions
<p>The doors are difficult to open</p>	<ul style="list-style-type: none"> • The door is reopened within a short time after having been opened 	<ul style="list-style-type: none"> • When you open the door, warmer air enters the refrigerator. As the warm air cools, it can create a vacuum. If the door is hard to open, wait one minute to allow the air pressure to equalize, then see if it opens more easily.
<p>Temperature is too warm or there is interior moisture buildup</p>	<ul style="list-style-type: none"> • The air vents are blocked. Cold air circulates from the freezer to the fresh food section and back again through air vents in the wall dividing the two sections. • The doors are opened often. • The control is not set correctly for the surrounding conditions. • A large amount of food has just been added to the refrigerator or freezer. • The food is not packaged correctly. • The doors are not closing completely. • The weather is humid. • An automatic defrost cycle was completed. 	<ul style="list-style-type: none"> • Locate air vents by using your hand to sense airflow and move all packages that block vents and restrict airflow. • Opening the door warms the refrigerator, requiring the compressor to run longer in order to cool the refrigerator back down. In order to conserve energy, try to get everything you need out of the refrigerator at once, keep food organized so it is easy to find, and close the door as soon as the food is removed. • If the temperature is too warm, change the setting one increment at a time (see the Adjusting Control Settings section). Wait 24 hours for temperatures to stabilize or even out. • Adding food warms the refrigerator. It can take a few hours for the refrigerator to return to normal temperature. • Wrap food tightly and wipe off damp containers prior to storing in the refrigerator to avoid moisture accumulation. If necessary, repackage food according to the guidelines in the Food Storage Guide. • Read Doors will not Close Correctly section. • In humid weather, air carries moisture into the refrigerator when the doors are opened. Increased humidity in the freezer or refrigerator compartments can lead to frost or condensation. • It is normal for droplets to form on the interior back wall after the refrigerator automatically defrosts.



LG

Life's Good

ESPAÑOL

MANUAL DE USUARIO REFRIGERADOR CON CONGELADOR SUPERIOR

Lea detenidamente este manual antes de empezar a utilizar el refrigerador y guárdelo como referencia para el futuro.

Nombre de Modelo:
LTN16385PL

TABLA DE CONTENIDO

Garantía	1-2	Uso del Refrigerador	26-29
		Circulación Apropiaada del Aire	26
		Ajuste de los Controles	26
		Cómo regular los Ajustes del Control	26
		Guía para Almacenar Alimentos	27
Versión Inglés	3	Para guardar Alimentos Congelados	27
		Sección del Refrigerador	28
		Parrillas del Refrigerador	28
		Parrilla del Congelador	28
		Cajón para Verduras	29
Versión Español	19	Compartimentos	29
		Charola para Hielos	29
Instrucciones Importantes de Seguridad	20-21	Cuidado de su Refrigerador	29-30
Requerimientos de Conexión a Tierra	21	Para limpiar su Refrigerador	29
		Exterior	30
		Interior	30
		Puertas y Empaques (Sellos)	30
Partes y Características	22	Partes Plásticas	30
		Cubierta Trasera	30
		Reemplazo de Luz (LED)	30
		Interrupciones de Energía	30
		Cuidados durante las Vacaciones	30
		Cuidados cuando Usted se muda	30
Instalación del Refrigerador	23-25	Guía de Solución de Problemas	31-33
Desempaque	23		
Instalación	23		
Cierre y Alineación de Puertas	23		
Alineación de las Puertas	24		
Como quitar y cambiar las Puertas del Refrigerador	24-25		

INSTRUCCIONES IMPORTANTES DE SEGURIDAD

MENSAJES DE SEGURIDAD

Hemos incluido muchos mensajes importantes de seguridad en este manual. Lea y obedezca siempre todos los mensajes de seguridad.



Este es el símbolo de advertencia de seguridad. Este símbolo le llama la atención sobre peligros potenciales que pueden ocasionar la muerte o una lesión a usted y a los demás, así como daños al producto. Todos los mensajes de seguridad irán a continuación del símbolo de advertencia de seguridad y de la palabra "PELIGRO", "PRECAUCIÓN" o "ADVERTENCIA". Estas palabras significan:

PELIGRO

Si no sigue las instrucciones de inmediato, usted puede morir o sufrir una lesión grave.

ADVERTENCIA

Si no sigue las instrucciones de inmediato, usted puede morir o sufrir una lesión grave.

PRECAUCIÓN

Si no sigue las instrucciones, usted puede morir o sufrir una lesión grave. Indica una situación de peligro inminente la cual, si no se evita, puede resultar en daños menores o daños al producto.

Todos los mensajes de seguridad le dirán el peligro potencial, le dirán cómo reducir las posibilidades de sufrir una lesión y lo que puede suceder si no se siguen las instrucciones.

ADVERTENCIA

Para reducir el riesgo de fuego, choque eléctrico o lesiones a personas, se deben tomar las siguientes medidas de precaución:

- NUNCA desconecte su refrigerador jalando del cable, siempre tome firmemente el enchufe y desconéctelo directamente de la fuente de poder.
 - Repare o reemplace inmediatamente todos los cables de servicio que se han dañado. No use cables que tengan fracturas o daños por abrasión a lo largo del cable o en el enchufe.
 - Cuando mueva su refrigerador, tenga cuidado de no pisar el cable de alimentación con los rodillos del aparato.
 - **NO** almacene o use gasolina u otros combustibles (líquidos o vapores) en los alrededores de éste u otro electrodoméstico.
 - **NO** permita que los niños suban, cuelguen o trepen las puertas o parrillas del refrigerador. Pueden lesionarse y dañar el producto.
 - Mantenga sus dedos alejados de aquellas áreas en las que se pueden lesionar tales como las áreas de cierre de puertas, bisagras y parrillas. Tenga cuidado al cerrar las puertas cuando los niños se encuentren cerca.
 - Desenchufe el refrigerador antes de limpiarlo o hacer cualquier reparación. **NOTA:** Le recomendamos realizar cualquier clase de servicio con una persona calificada.
 - Antes de cambiar la lámpara LED, desenchufe el refrigerador o desconecte el circuito de poder para evitar el contacto con un filamento vivo (el LED se puede romper mientras se cambia). **NOTA:** Ajustando los controles a la posición de OFF (apagado) no desconecta la energía del circuito de la iluminación.
 - No guarde botellas en el compartimento del congelador, ya que podrían estallar al congelarse y causar daños.
- Para su seguridad, este producto debe estar conectado a tierra de manera apropiada. Haga revisar su circuito de electricidad por un electricista calificado para asegurar una buena conexión a tierra.
 - Lea todas las instrucciones antes de usar el producto. Utilice el producto únicamente para el fin que se describe en esta guía.
 - Una vez que el refrigerador se encuentra en operación, no toque con las manos mojadas las superficies frías del congelador, la piel puede adherirse a las superficies.
 - **NO** vuelva a congelar los alimentos que hayan sido descongelados previamente. El Departamento de Agricultura de los Estados Unidos, en su Boletín de Casas y Jardines No. 69 establece que:
"..Ud. puede volver a congelar los alimentos que han sido congelados previamente si contienen cristales de hielo o éstos continúan fríos, de bajo de 40 °F (4 °C)".
"...La carne molida, perezcos o pescado que estén descoloridos o sin olor no deben ser congelados ni ingeridos. La nieve derretida tampoco debe consumirse. Si el olor o color de la comida es cuestionable, deshágase de ella, puede ser peligroso".
"Descongelar parcialmente o volver a congelar los alimentos reduce la calidad de éstos, especialmente las frutas, vegetales y alimentos preparados. La calidad de las carnes rojas puede mantenerse mayor tiempo que los demás alimentos. Use los productos que vuelva a congelar tan pronto como sea posible para mantener su calidad".

GUARDE ESTAS INSTRUCCIONES

⚠ PRECAUCIÓN

Este aparato no está destinado para su uso por las personas (incluidos niños) con capacidad física, sensorial o mental reducida, falta de experiencia y conocimientos, a menos que se les haya dado la supervisión o instrucción en relación con el uso del aparato por la persona responsable de su seguridad. Los niños deben ser supervisados para asegurar que no jueguen con el aparato.

⚠ PELIGRO: LOS NIÑOS PUEDEN QUEDAR ATRAPADOS

El quedar atrapado y asfixia en niños no es un problema del pasado. Los refrigeradores tirados y abandonados son un peligro, aún si van a quedar ahí "por unos cuantos días". Si Ud. está por deshacerse de su refrigerador viejo, por favor siga las siguientes instrucciones para prevenir accidentes.



ANTES DE TIRAR SU REFRIGERADOR O CONGELADOR CUANDO YA NO SE USE:

- Saque las puertas.
- Deje las parrillas en su lugar, así los niños no pueden meterse en ellas con facilidad.

CÓMO DESECHAR LOS CFC

Su refrigerador viejo tiene un sistema de refrigeración que usa CFC (clorofluorocarbonos). Los CFC afectan a la capa estratosfera de ozono.

Si Ud. tira su refrigerador viejo, asegúrese que el

refrigerante CFC sea eliminado de la manera apropiada por personal calificado. Si Ud. libera intencionalmente el refrigerante con CFC puede estar sujeto a multas o prisión de acuerdo a las legislaciones ambientales vigentes.

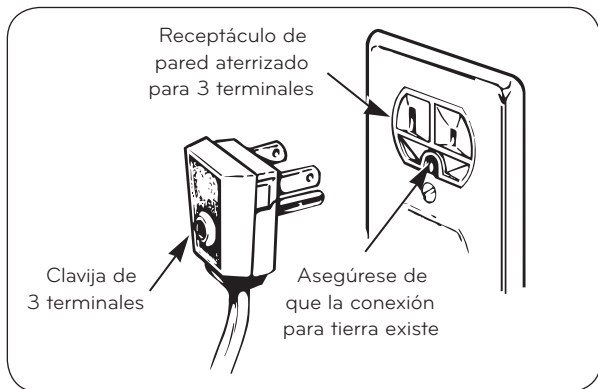
REQUERIMIENTOS DE CONEXIÓN A TIERRA

IMPORTANTE: Lea con atención lo siguiente.

CONEXIÓN

⚠ ADVERTENCIA

PELIGRO DE CHOQUE ELÉCTRICO PARA SU SEGURIDAD PERSONAL, este aparato debe estar aterrizado apropiadamente. Haga revisar por un personal experto sus contactos de pared para asegurarse de que el enchufe está conectado a tierra apropiadamente.



MÉTODO DE CONEXIÓN A TIERRA RECOMENDADO

Su refrigerador debe estar siempre conectado a un circuito propio que esté conectado adecuadamente a tierra. La alimentación de energía debe ser únicamente de 115 V, 60 Hz, C.A. y con fusibles de 15 ó 20 A. Esto brinda el mejor desempeño y previene de las sobrecargas de energía que pueden provocar un incendio debido al sobrecalentamiento de los cables. Se recomienda que se utilice un circuito separado para este producto, así como un receptáculo que no pueda ser desconectado con un interruptor.

No utilice un cable de extensión.

Es su responsabilidad y obligación reemplazar aquellos receptáculos de 2 terminales por uno de 3 terminales conectado debidamente a tierra.

Bajo ninguna circunstancia corte o arranque la tercera terminal (tierra) del enchufe.

NOTA: Antes de instalar, limpiar o cambiar el LED, desconecte el refrigerador. Cuando haya terminado, vuelva a conectar el refrigerador y ajuste el control (de termostato, refrigerador o congelador, según su modelo) a la posición deseada.

USO DE CABLES DE EXTENSIÓN

Nosotros le recomendamos que no utilice los cables de extensión. Sin embargo, si usted desea utilizar un cable de extensión, es absolutamente necesario que se encuentre en la lista de UL (en los Estados Unidos) o en la lista de la CSA (en Canadá), tenga 3 terminales y que soporte una carga de energía de 15 A (mínimo) y 120 V.

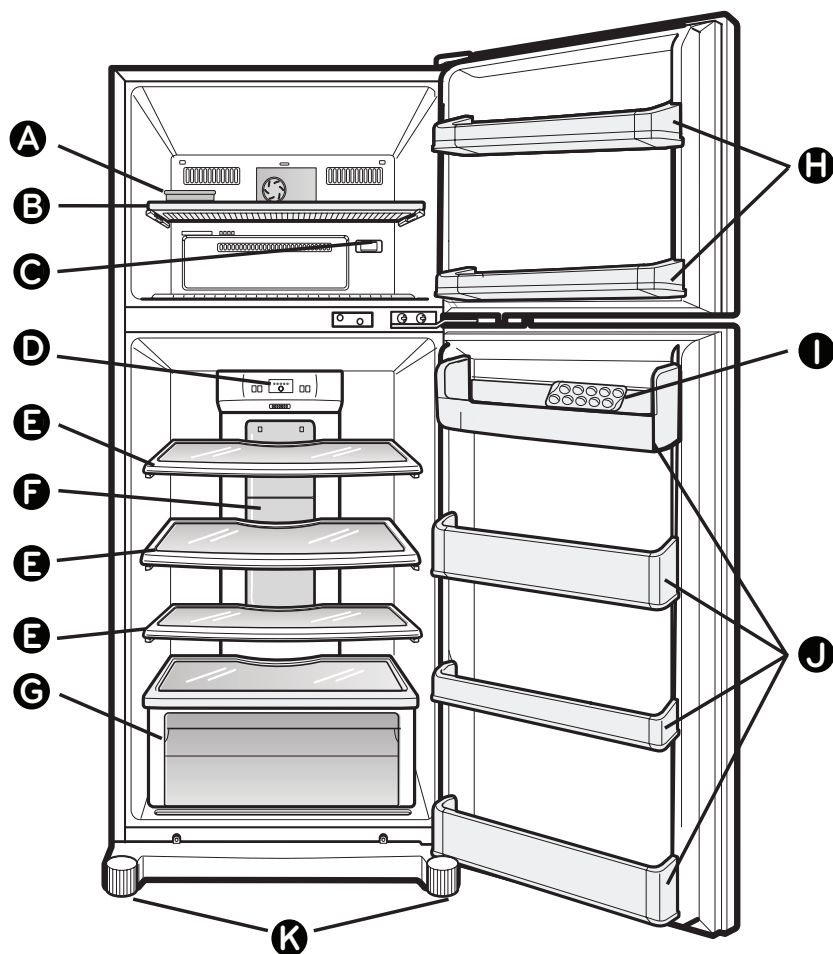
El uso de un cable de extensión incrementará el área que su refrigerador necesita en la parte de atrás.

⚠ ADVERTENCIA

REEMPLAZO DE CABLE DE CORRIENTE

Si el cable de alimentación se daña, éste debe ser reemplazado por el fabricante, por nuestro centro de servicio o personal calificado por LG para evitar algún riesgo.

PARTES Y CARACTERÍSTICAS



Use esta sección para que Ud. se familiarice con las partes y características de su nuevo refrigerador.

NOTA: Esta guía cubre distintos modelos. Su refrigerador puede tener algunas o todas las características y partes que se muestran en la siguiente lista. Algunas de las localizaciones de las partes tal vez no concuerden con su modelo.

- | | |
|--|---|
| A Bandeja para Hielos | G Cajón para Verduras
Mantiene frescos frutas y vegetales |
| B Parrilla del Congelador (Plástico) | H Compartimento del Congelador |
| C Control de Temperatura (Congelador) | I Charola para Huevos |
| D Control de Temperatura (Refrigerador) | J Compartimentos del Refrigerador |
| E Parrillas del Refrigerador (Vidrio) | K Tornillos Niveladores |
| F Lámpara del Refrigerador (LED) | |

INSTALACIÓN DEL REFRIGERADOR

⚠ ADVERTENCIA

PELIGRO DE PESO EXCESIVO

Use la ayuda de dos o más personas para mover e instalar el refrigerador, no seguir estas instrucciones puede ocasionar lesiones en la espalda u otras partes del cuerpo.

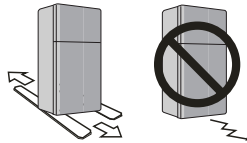
DESEMPAQUE

Antes de instalar su refrigerador, despegue y remueva las cintas y etiquetas temporales. No retire aquellas etiquetas que muestren advertencias, el modelo y número de serie o la ficha técnica del producto que se encuentra en la parte posterior del refrigerador.

Para quitar los residuos de cinta o adhesivo, frote bien con sus dedos un poco de detergente líquido para vajillas encima del adhesivo. Limpie con agua tibia y seque. No utilice instrumentos filosos, alcohol para fricciones, líquidos inflamables o productos de limpieza abrasivos para quitar la cinta adhesiva o goma. Estos productos pueden dañar la superficie de su refrigerador. Para obtener más información, vea la sección **"Instrucciones Importantes de Seguridad"**. Las parrillas vienen instaladas en su posición de fábrica acomódalas de acuerdo a sus necesidades de espacio.

Cómo mover su refrigerador:

Su refrigerador es muy pesado, cuando lo mueva para limpiarlo o darle servicio, proteja el piso. Al mover el refrigerador, siempre tire directamente hacia fuera. Cuando lo trate de mover, no lo mueva bruscamente de lado a lado ni lo arrastre, podría dañar el piso.



⚠ ADVERTENCIA

PELIGRO DE EXPLOSIÓN



Mantenga los materiales y vapores inflamables (tales como gasolina) alejados del refrigerador. No seguir esta instrucción puede ocasionar la muerte, explosión o incendio.

INSTALACIÓN

1. Evite colocar la unidad cerca de fuentes de calor, rayos de sol directos o humedad.
2. Para evitar la vibración, la unidad debe estar nivelada. Si se requiere, ajuste los tornillos niveladores para compensar el desnivel del suelo. El frente debe de estar ligeramente más alto que la parte posterior para facilitar el cierre de las puertas. Los tornillos de nivelación pueden girar fácilmente levantando un poco el refrigerador de la parte frontal, gire los tornillos en favor de las manecillas del reloj (↻) para levantar la unidad o en contra de las manecillas (↺) para bajarla.
3. Instale el refrigerador en un área que se encuentre entre 50 °F (10 °C) y 109,4 °F (43 °C). Si la temperatura

se encuentra fuera de estos rangos, el enfriamiento del aparato puede afectarse.

- ⚠ **PRECAUCIÓN.** Evite colocar el refrigerador cerca de fuentes de energía, luz solar o humedad.

UNA VEZ INSTALADO

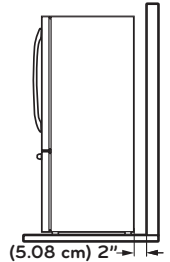
1. Limpie cuidadosamente su refrigerador y remueva el polvo acumulado durante el envío.
2. Instale los accesorios tales como el recipiente para hielos, cajones, parrillas, etc., en los lugares apropiados. Estos se encuentran empacados para prevenir daños durante el transporte.
3. Deje su refrigerador encendido de 2 a 3 horas antes de guardar alimentos. Verifique el flujo de aire frío en el compartimento del congelador para asegurarse de que la unidad enfría apropiadamente. Su refrigerador ahora está listo para usarse.

⚠ ADVERTENCIA.

- Tenga cuidado cuando trabaje con la bisagra, la cubierta de la base, los topes, etc., puede lastimarse.
- NO ponga sus manos o herramientas en las salidas de aire, la cubierta de la base o en la parte de abajo del refrigerador, puede lastimarse o recibir un choque eléctrico.

A UNA DISTANCIA ADECUADA DE ELEMENTOS CERCANOS

Por favor, mantenga el refrigerador a una distancia prudente de otros objetos. Una distancia demasiado reducida entre la unidad y elementos cercanos puede ocasionar reducción de la capacidad de congelación y aumento del consumo de electricidad.



CIERRE Y ALINEACIÓN DE PUERTAS

Su refrigerador cuenta con dos tornillos niveladores: uno en el lado izquierdo y otro en el lado derecho. Si su refrigerador se encuentra inestable o si Ud. desea que las puertas cierren más fácil, ajuste la inclinación del refrigerador realizando lo siguiente:

1. Conecte el refrigerador a un enchufe de 3 terminales. Mueva el refrigerador a su posición final.
2. Use un desarmador plano para ajustar los tornillos niveladores (Vea Figura A), en el sentido de las manecillas del reloj para elevar y en contra de las manecillas del reloj para bajarlo. Se deberán dar las vueltas necesarias para ajustar a la inclinación deseada.

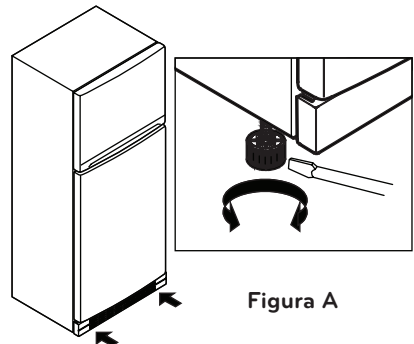


Figura A

INSTALACIÓN DEL REFRIGERADOR

NOTA: Para facilitar la nivelación, haga que alguien levante un poco la parte superior del refrigerador; esto quitará algo de peso sobre los tornillos niveladores.

3. Abra ambas puertas y asegúrese que cierran con facilidad. Si no, incline un poco más el refrigerador hacia atrás, girando los tornillos niveladores a favor de las manecillas del reloj. Esto puede tomar varias vueltas y deberá girar las mismas veces en ambos lados.

ALINEACIÓN DE LAS PUERTAS

Si el espacio entre sus puertas es desigual, siga las siguientes instrucciones para la alineación de las puertas:

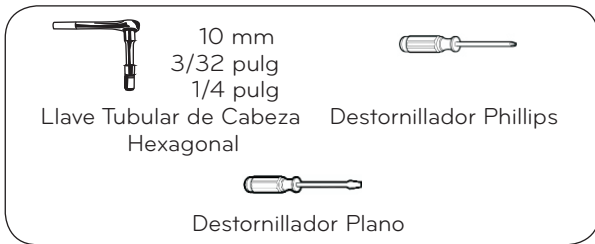
1. Usando el destornillador Phillips, afloje el tornillo de la cubierta superior de la bisagra, remuevala con el apoyo de un destornillador de cabeza plana.
2. Afloje los tornillos de la bisagra superior usando una llave inglesa o de boca tubular de 10 mm ó 13/32".
3. Con ayuda de una persona, sostenga la puerta en su lugar o coloque entre las puertas algo que mantenga el espacio mientras usted ajusta los tornillos de la bisagra superior.
4. Coloque de nuevo la cubierta de la bisagra.

CÓMO QUITAR Y CAMBIAR LAS PUERTAS DEL REFRIGERADOR

Si la entrada tiene menos de 32 pulgadas de ancho (82 cm), se necesitará quitar las puertas del refrigerador.

IMPORTANTE: Antes de empezar, apague el refrigerador y desconéctelo. Quite la comida y los compartimentos de las puertas.

HERRAMIENTAS QUE USTED PUEDE NECESITAR



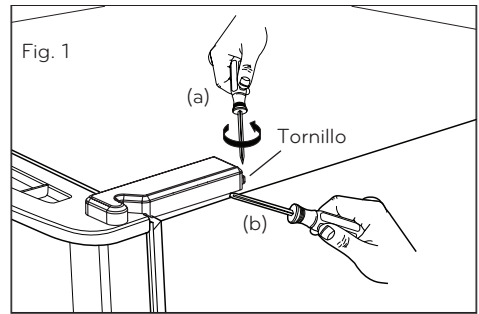
⚠ ADVERTENCIA

PELIGRO DE CHOQUE ELÉCTRICO

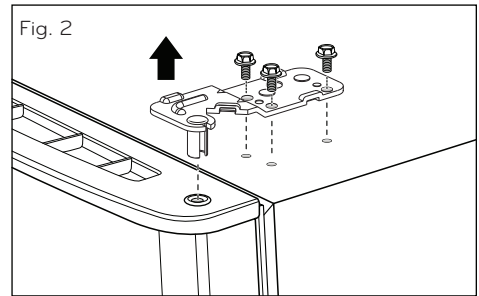
Antes de comenzar, desconecte el refrigerador o interrumpa la corriente de electricidad en el cortacircuitos o caja de fusibles. Quite los alimentos y cualquier compartimento o recipiente de usos múltiples. No seguir estas instrucciones puede ocasionar la muerte o una lesión grave.

1. Para Quitar la puerta del Congelador

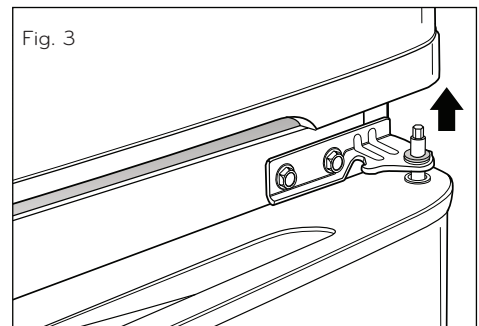
- Use un destornillador Phillips para aflojar el tornillo de la cubierta de la bisagra (a), con el destornillador plano remueva la cubierta (b) (vea Fig. 1).



- Usando la llave tubular de 10 mm ó de 13/32 pulgadas, quite los tres tornillos y levante la bisagra superior (vea Fig. 2).

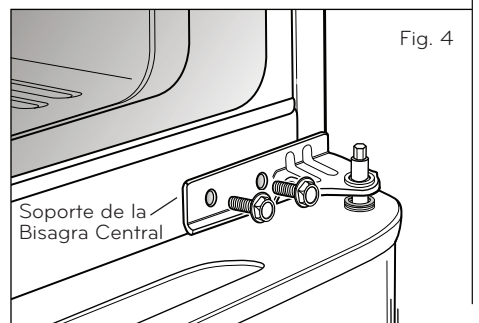


- Levante un poco la puerta del congelador y sáquela (Fig. 3). Coloque en un lugar donde la puerta no sufra daño.

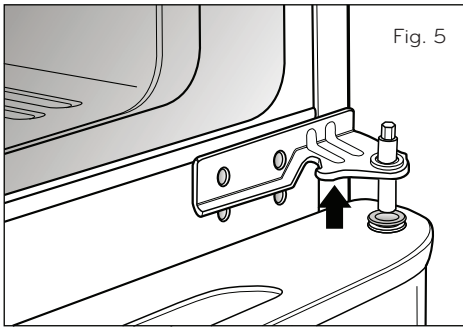


2. Para Quitar la puerta del Refrigerador

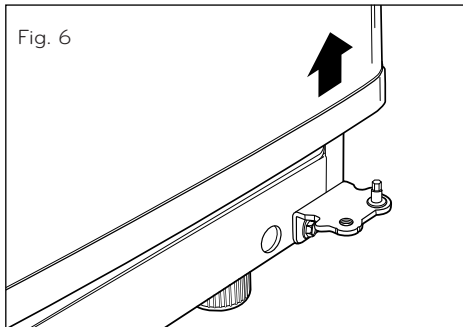
- Suelte y quite los dos tornillos, con la llave tubular, quite el soporte de la bisagra central del marco del refrigerador (Fig. 4). Coloque las partes a un lado (Fig. 5).



INSTALACIÓN DEL REFRIGERADOR



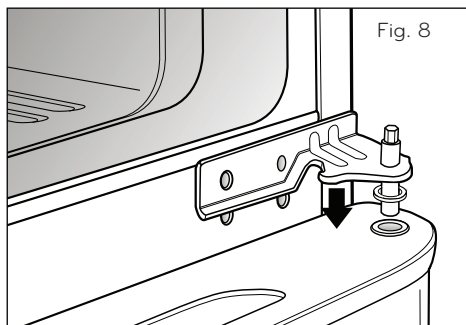
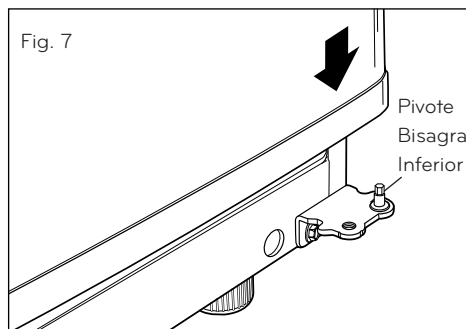
- Levante un poco la puerta y sáquela (Fig. 6). Coloque en un lugar donde la puerta no sufra daño.



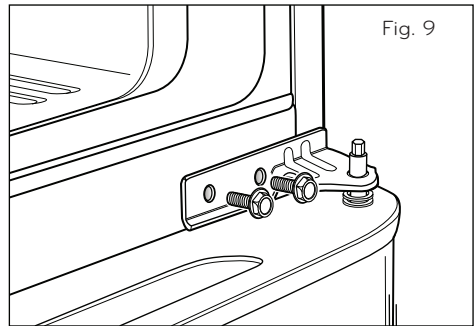
- Para volver a colocar las puertas, comience con la puerta del refrigerador y continúe con la puerta del congelador.

3. Para Instalar la puerta del Refrigerador

- Colóquela en el pivote de la bisagra inferior (Fig. 7).
- Coloque el pivote de la bisagra central dentro del pivote de inserción localizado en la parte superior de la puerta del refrigerador (Fig. 8). Sostenga la puerta en su lugar y alinee el soporte de la bisagra central con los orificios en el marco del refrigerador.

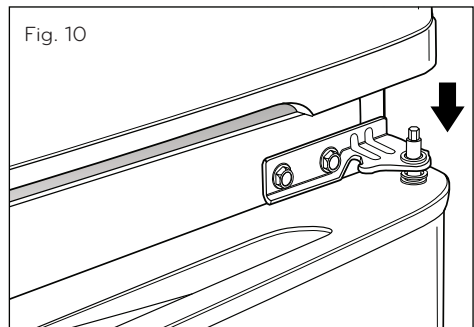


- Ensamble los dos tornillos con la llave hexagonal para reajustar el soporte de la bisagra central con la puerta en el marco del refrigerador (Fig. 9).

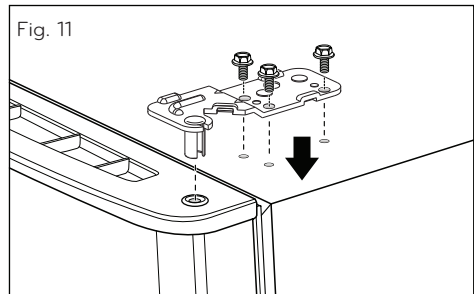


4. Para Instalar la puerta del Congelador

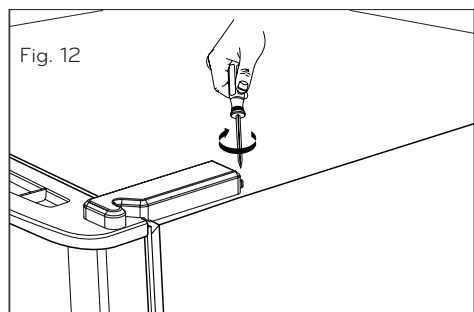
- Coloque la puerta del congelador dentro del soporte de la bisagra central (Fig. 10).



- Coloque el pivote de la bisagra superior en la parte superior de la puerta del congelador y alinee con los orificios en la parte superior del refrigerador. Utilice los tres tornillos para colocar la bisagra (Fig. 11).



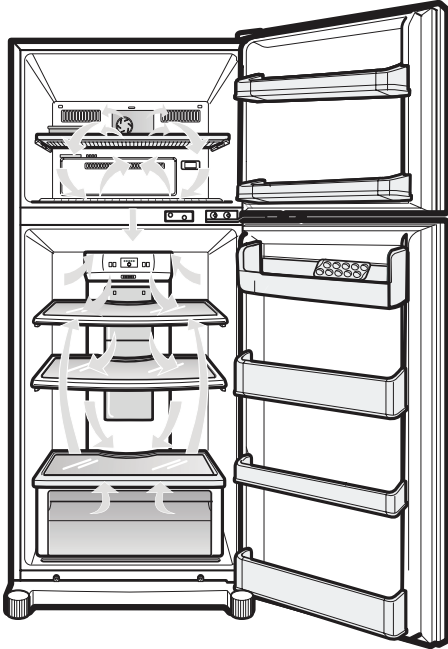
- Cuidadosamente coloque la tapa de la bisagra superior y ajuste el tornillo con el destornillador Phillips (Fig. 12).



USO DEL REFRIGERADOR

CIRCULACIÓN APROPIADA DEL AIRE

Para obtener temperaturas estables, el aire debe fluir entre las secciones del congelador y refrigerador. Como se muestra en la ilustración de abajo, el aire frío entra a través de la parte inferior y circula hacia arriba, este aire regresa por debajo del piso del congelador y el resto del aire entra a la sección del refrigerador a través de la ventila superior.



NO bloquee ninguna de estas ventilas con paquetes de comida. Si las ventilas se bloquean, el flujo de aire se interrumpe, lo que puede ocasionar problemas de humedad.

IMPORTANTE: Debido a que el aire circula entre ambas secciones del refrigerador, los olores pueden transferirse fácilmente. Ud. debe limpiar ambas secciones para eliminar olores. Para prevenir la transferencia de olores o resequedad en los alimentos, cubra adecuadamente la comida. (Para mayores detalles, vea la Sección **“Guía para Almacenar Alimentos”**).

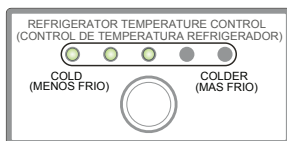
NOTA: Si usted cierra la puerta del compartimento de alimentos frescos, aplicando más fuerza de la necesaria, puede abrirse y cerrarse otra vez la puerta del congelador, esto debido al flujo de aire interno del refrigerador.

AJUSTE DE LOS CONTROLES

• Su refrigerador cuenta con dos controles que le permiten regular la temperatura en los compartimentos del refrigerador y congelador.

• Control del Refrigerador

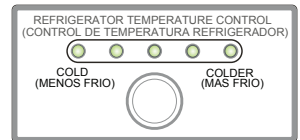
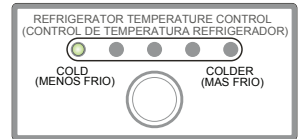
Fije inicialmente el Control del Refrigerador en el ajuste medio (número 3). Presione el botón hasta que encienda la tercera luz. Esta es la temperatura recomendada para el funcionamiento óptimo de su refrigerador.



Deje el refrigerador en este ajuste por 24 horas para alcanzar la temperatura correcta. Después de 24 horas, ajuste el compartimento de temperatura como Ud. lo desee. SIEMPRE espere mínimo 24 horas antes de ajustar la temperatura. Si requiere ajustar el compartimento del refrigerador a un modo de temperatura menos frío que el actual, continúe presionando el botón hasta que se encienda el LED indicado.

Presione el botón hasta que la luz (LED) deseada se ilumine.

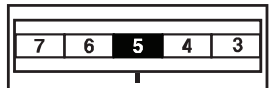
La primera luz (LED) es para una temperatura menos fría, la última representa la temperatura más fría que se puede alcanzar para el compartimento del refrigerador.



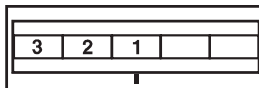
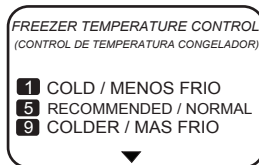
• Control del Congelador

El Control del Congelador debe de venir de fábrica en el ajuste medio (número 5).

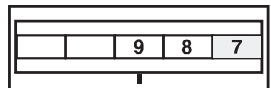
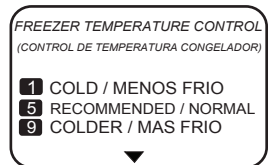
Espere 24 horas antes de ajustar la temperatura del compartimento del congelador y variarla. Gire la perilla para el ajuste de la temperatura del congelador como desee. SIEMPRE espere 24 horas después de cualquier cambio para alcanzar la temperatura deseada.



Gire la perilla hasta que la temperatura deseada sea seleccionada. Entre mayor sea el número, más fría será la temperatura del compartimento.



Temperatura Menos Fría



Temperatura Más Fría

CÓMO REGULAR LOS AJUSTES DEL CONTROL

Antes de introducir alimentos a su refrigerador, deje que éste se enfríe primero, dejando pasar 24 horas desde el momento en que usted lo conecta. El ajuste medio indicado en la sección anterior corresponde a un enfriamiento normal de un refrigerador. Los controles han sido ajustados de manera correcta, de tal forma que la leche y jugo se encuentran tan fríos como usted lo desea y los helados (mantecados) tienen una consistencia firme.

USO DEL REFRIGERADOR

El control del refrigerador funciona como un termostato (para las secciones del refrigerador y congelador). Mientras más alto se encuentre el ajuste, mayor será el tiempo de operación del compresor para mantener las temperaturas más frías. El control del congelador ajusta el flujo de aire frío del congelador hacia el refrigerador.

Si Ud. necesita ajustar las temperaturas en el refrigerador o congelador, comience ajustando el refrigerador. Espere 24 horas antes de realizar éste ajuste para verificar la temperatura del congelador. Si ésta se encuentra tibia o muy fría, entonces ajuste el control del congelador.

Use los ajustes mostrados en la siguiente lista como guía para realizar cambios.

CONDICIÓN/RAZÓN:	AJUSTE RECOMENDADO:
<p>La sección del REFRIGERADOR se encuentra "tibia"</p> <ul style="list-style-type: none"> • Se abre la puerta frecuentemente. • Se almacena gran cantidad de alimentos. • La temperatura ambiente es muy alta. 	<p>Ajuste el control de temperatura del REFRIGERADOR al siguiente dígito superior, espere 24 horas y verifique.</p>
<p>La sección del CONGELADOR se encuentra "tibia"/ Los hielos no se forman rápidamente</p> <ul style="list-style-type: none"> • Se abre la puerta frecuentemente. • Se almacena gran cantidad de alimentos. • La temperatura ambiente es muy baja (no se realizan ciclos suficientemente frecuentes). • Se utilizan hielos muy frecuentemente. • El difusor de aire se ha bloqueado con algunos artículos. 	<p>Ajuste el control de temperatura del CONGELADOR al siguiente dígito superior, espere 24 horas y verifique.</p>
<p>La sección del REFRIGERADOR está muy fría</p> <ul style="list-style-type: none"> • El control no se encuentra ajustado a las condiciones deseadas. 	<p>Ajuste el control del REFRIGERADOR al siguiente dígito inferior, espere 24 horas y verifique.</p>
<p>La sección del CONGELADOR está muy fría</p> <ul style="list-style-type: none"> • El control no se encuentra ajustado a las condiciones deseadas. 	<p>Ajuste el control del CONGELADOR al siguiente dígito inferior, espere 24 horas y verifique.</p>

GUÍA PARA ALMACENAR ALIMENTOS

Guarde o envuelva los alimentos en recipientes cerrados o bolsas que eviten la entrada de aire y humedad. Esto evitará que los olores y sabores de los alimentos se transfieran dentro del refrigerador. Para productos con fecha, compruebe su caducidad para asegurar su frescura.

ARTÍCULOS	CÓMO ALMACENARLOS
Mantequilla o Margarina	Mantenga la mantequilla cubierta en un recipiente o en el compartimento cerrado. Cuando desee almacenar una mayor cantidad, envuélvala y guárdela en el congelador.
Queso	Guarde el queso en su envoltura original hasta que sea usado. Una vez abierto, envuélvalo firmemente con envoltura plástica o papel aluminio.
Leche	Limpie los cartones de leche, para un mejor almacenaje, colóquela en una parrilla, no en un compartimento de la puerta.
Huevos	Guárdelos en su empaque original o en la charola para huevos.
Fruta	Lave y deje secar la fruta. Después guárdela en bolsas de plástico dentro del refrigerador. No lave o enjuague las moras hasta que estén listas para consumirse. Las moras deben de ser seleccionadas y guardadas en su empaque original (si lo hay) o en una bolsa de papel a medio cerrar dentro de uno de los cajones.
Vegetales con Hojas	Quite la envoltura original y remueva de los vegetales aquellas partes sucias o descoloridas. Lávelos con agua fría y escúrralos. Colóquelos en una bolsa o contenedor plástico y guárdelos en el cajón de vegetales del refrigerador.
Vegetales con Piel (pimiento, zanahoria)	Colóquelos en bolsas o contenedores plásticos dentro del cajón de vegetales del refrigerador.
Pescado	Consuma los pescados y mariscos el mismo día que los adquirió.
Sobras de Alimentos	Cubra las sobras con envoltura de plástico o papel aluminio. También puede usar contenedores plásticos con tapas firmes.

PARA GUARDAR ALIMENTOS CONGELADOS

NOTA: Para mayor información acerca de cómo preparar los alimentos para congelarlos así como para ver el tiempo que pueden ser almacenados, consulte una guía sobre congelamiento o una guía para cocinar.

Empaque

Una buena congelación depende de un empaque correcto. Cuando Usted cierra y sella el empaque, no permitirá el acceso de aire y humedad a los alimentos. Un mal empaque resultará en la transmisión de olores y sabores dentro del refrigerador, así como la resequedad de los alimentos congelados.

USO DEL REFRIGERADOR

Recomendaciones de Empaque:

- Usar contenedores plásticos con tapas rígidas.
- Utilizar envases o jarras de superficies lisas.
- Empacar con papel aluminio de alta resistencia.
- Envolver con papel revestido con plástico.
- Utilizar plástico impermeable.
- Usar bolsas de plástico especiales para congelar.

Siga las instrucciones del empaque o recipiente para lograr un mejor congelamiento.

No utilice:

- Envolturas del pan.
- Recipientes de plástico que no sean de polietileno.
- Recipientes sin tapas rígidas o firmes.
- Papel encerado o plástico encerado.
- Envolturas delgadas o poco permeables.

Congelamiento

IMPORTANTE: No guarde botellas en el compartimento del congelador, ya que podrían estallar al congelarse y causar daños.

Su refrigerador no congelará rápidamente cualquier cantidad excesiva de alimentos. No introduzca una cantidad mayor de alimentos sin congelar de la que pueda congelarse dentro de 24 horas (no más de 2 a 3 libras ó 0,91 kg a 1,36 kg de alimento por pie cúbico del espacio en el congelador). Deje el suficiente espacio en el congelador para que el aire circule alrededor de los paquetes. Deje suficiente espacio al frente para que la puerta cierre sin dificultad.

Los tiempos de almacenaje pueden variar de acuerdo a la calidad y tipo de comida, el tipo de empaque o envoltura usada (a prueba de humedad y aire) y a la temperatura de almacenaje. Los cristales de hielo formado dentro de un empaque cerrado son normales, lo que indica que la humedad de los alimentos y el aire contenido dentro del empaque se han condensado.

NOTA: Deje que los alimentos calientes se enfríen a temperatura ambiente durante 30 minutos, después envuélvalos con los métodos mencionados y congélelos. Al enfriar los alimentos calientes antes de introducirlos al congelador, Ud. ahorra energía.

⚠ ADVERTENCIA

PELIGRO DE SOFOCAMIENTO

Ventile adecuadamente la habitación cuando use hielo seco. El hielo seco es Dióxido de Carbono (CO₂) congelado. Cuando se evapora, éste emana Oxígeno, causando mareos, dolores de cabeza leves, inconsciencia o muerte por sofocamiento, abra una ventana y no inhale estos vapores.

SECCIÓN DEL REFRIGERADOR PARRILLAS DEL REFRIGERADOR

Las parrillas de su refrigerador se ajustan para cumplir con sus necesidades de almacenaje; su modelo puede incluir parrillas de vidrio o plástico. Almacenar alimentos similares juntos y ajustar las parrillas a diferentes alturas, hará más fácil la búsqueda de los artículos que

Ud. necesita; esto también reducirá el tiempo que las puertas se encuentran abiertas, lo que ahorrará energía.

IMPORTANTE: No limpie las parrillas de vidrio con agua caliente o tibia cuando éstas se encuentren frías, se pueden quebrar si se exponen a cambios bruscos de temperatura o impactos fuertes. Para su seguridad, las parrillas están fabricadas con vidrio templado para que al romperse se fracturen en muchos pedazos pequeños.

NOTA: Las parrillas de vidrio son pesadas. Tenga especial cuidado cuando las mueva de lugar para evitar impactos por caída.

Para retirar la parrilla del refrigerador lleve a cabo las siguientes instrucciones:

1. Tome la parrilla de la parte de atrás.
2. Levántela aplicando la fuerza necesaria por la parte de abajo (Fig. 1).

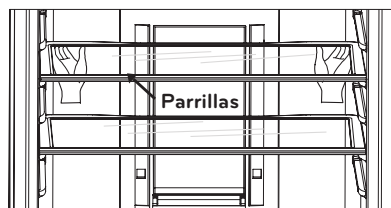
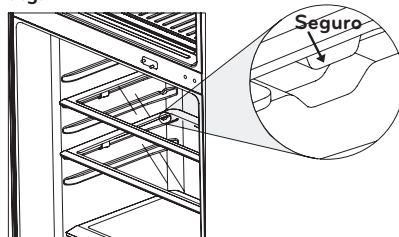


Fig. 1

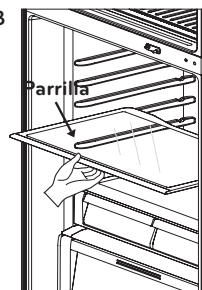
3. Libere los seguros (Fig. 2).

Fig. 2



4. Deslícela hacia afuera (Figura 3).

Fig. 3



NOTA: Asegúrese de que la parrilla está instalada de manera horizontal. Si no lo hace, puede provocar que la parrilla se caiga, lo que causaría el derrame o caída de alimentos.

PARRILLA DEL CONGELADOR

Si necesita retirar la parrilla del congelador siga las indicaciones para no dañarla:

1. Sujete la parrilla por la parte del frente (Fig. 4).

USO DEL REFRIGERADOR

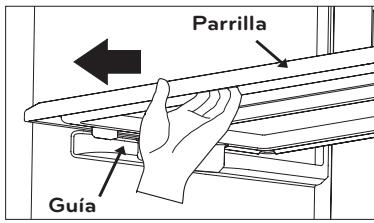
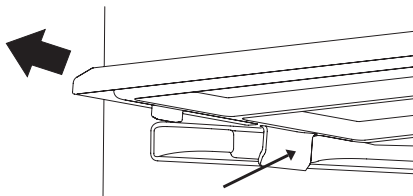


Fig. 4

2. Jale la parrilla hacia afuera levantándola levemente hasta que salga el seguro de la guía (Fig. 5).



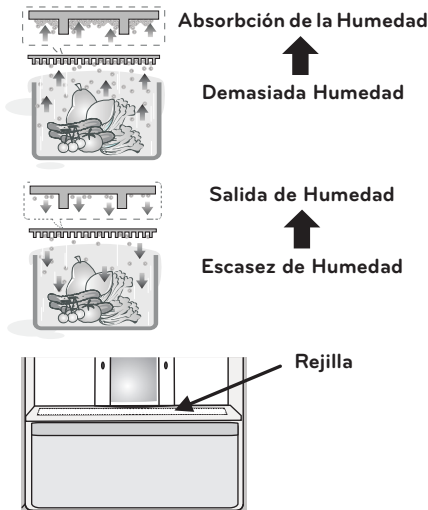
Seguro de la Guía

Fig. 5

CAJÓN PARA VERDURAS

• Magic Crisper (Mágica Frescura)

El cajón mágico permite una mejor conservación de las frutas y verduras, ayudándole a mantener la humedad del interior fácilmente. Dispone de una rejilla en la pared inferior para mantener o dejar salir la humedad.



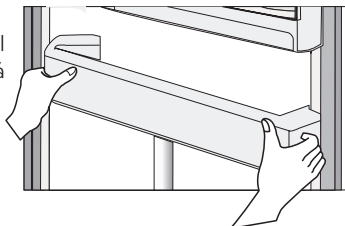
COMPARTIMENTOS

• Compartimento en Puerta

Los compartimentos se pueden quitar para una mejor limpieza y ajuste.

1. Para quitar el compartimento, levántelo y jale hacia afuera.

NOTA: No ajuste el compartimento si está cargado de alimentos.



2. Para sustituir el compartimento, deslícelo sobre la guía y empújelo hacia abajo hasta que tope.

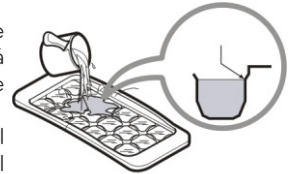
⚠ ADVERTENCIA. Alguien puede resultar herido si los recipientes no están firmemente ensamblados.

⚠ PRECAUCIÓN. NO permita que los niños jueguen con los compartimentos. Las esquinas filosas podrían lesionarlos.

CHAROLA PARA HIELOS

Para fabricar Hielo

1. Si la bandeja se llena de agua al nivel más alto, será difícil quitar los cubos de agua.
2. Para mayor efectividad al hacer hielo, ajuste el control del congelador a 9.



Para quitar los Cubos de Hielo

1. Tuerza la charola, no la doble. El hacerlo tiene como resultado el daño de la misma.
2. Para quitar los cubos de hielo fácilmente, vierta agua en la bandeja o empape los cubos.



⚠ ADVERTENCIA. Llenar con agua potable solamente.

SECCIÓN DE CUIDADO Y LIMPIEZA DEL REFRIGERADOR

⚠ ADVERTENCIA

PELIGRO DE EXPLOSIÓN



Utilice limpiadores no inflamables. No seguir esta instrucción puede ocasionar la muerte, explosión o incendio.

Tanto el refrigerador como el congelador realizan deshielo automático, a pesar de esto, limpie ambas secciones una al vez al mes para prevenir la formación de olores. Limpie los derrames de líquidos inmediatamente.

PARA LIMPIAR SU REFRIGERADOR

- Desconecte su refrigerador.
- Quite todas las partes desmontables del interior, tales como las parrillas, cajones para verduras, etc. Vea la sección "Uso del Refrigerador".
- Use una esponja limpia o un trapo suave con un poco de detergente con agua tibia. No use limpiadores abrasivos o detergentes concentrados.
- Lave a mano, enjuague y seque las superficies.
- Enchufe el refrigerador o vuelva a conectar el suministro eléctrico.

CUIDADO Y LIMPIEZA DEL REFRIGERADOR

EXTERIOR

Encere las superficies exteriores pintadas de metal para brindarles mayor protección, realice esta acción con cera para electrodomésticos (o cera suave para automóviles) y aplíquela con un trapo suave y limpio; hágalo al menos 2 veces por año. Para productos con exterior de acero inoxidable, utilice una esponja limpia o un trapo suave con detergente en agua tibia. No use limpiadores abrasivos o concentrados.

NOTA: Evite el contacto de la superficie de la puerta con productos químicos que contengan fosfatos o cloros.

INTERIOR (permita al congelador calentarse un poco para que el trapo no se pegue)

Para eliminar olores, limpie el interior del refrigerador con una mezcla de polvo para hornear (soda) y agua tibia. Mezcle 2 cucharadas de polvo para hornear en agua (26 gr de soda por cada litro de agua). Asegúrese que el polvo para hornear (soda) se disuelva por completo para que no raye las superficies del refrigerador.

⚠ PRECAUCIÓN. Mientras limpia el interior, no rocíe agua.

PUERTAS Y EMPAQUES (Sellos)

Para la limpieza de éstos, no utilice ceras limpiadoras, detergentes concentrados, blanqueadores o limpiadores que contengan partes plásticas de petróleo.

PARTES PLÁSTICAS (Cubiertas y Paneles)

No utilice toallas de papel, aspersores para vidrio, limpiadores abrasivos o fluidos inflamables, éstos pueden rayar o dañar el material.

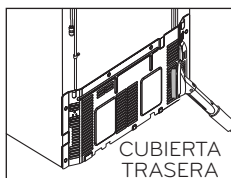
CUBIERTA TRASERA

⚠ ADVERTENCIA

PELIGRO DE CHOQUE ELÉCTRICO

Antes de comenzar, desenchufe el refrigerador o desconecte la corriente de electricidad en el cortacorrente o caja de fusibles.

NOTA: La cubierta trasera solo debe ser removida por un técnico calificado. Para un funcionamiento eficiente de su refrigerador, limpie la cubierta por lo menos 2 veces al año.



REEMPLAZO DE LUZ (LED)

⚠ ADVERTENCIA

PELIGRO DE CHOQUE ELÉCTRICO

Antes de cambiar la luz desenchufe su refrigerador.

NOTA: Su refrigerador cuenta con una luz LED localizada en la sección del refrigerador.

⚠ ADVERTENCIA. El reemplazo de la luz LED solamente debe de ser realizado por personal calificado y autorizado.

INTERRUPCIONES DE ENERGÍA

Si se desconecta la energía de su hogar, llame a su

compañía de energía y pregunte cuánto tiempo durará sin suministro eléctrico.

1. Si no habrá energía en las próximas 24 horas o menos, mantenga las puertas del refrigerador cerradas, para que los alimentos se mantengan fríos y congelados.
2. Si no habrá energía por más de 24 horas, use alguna de las siguientes opciones:
 - Saque todos los alimentos congelados y guárdelos en una hielera.
 - Coloque en el congelador 2 lbs (907 g) de hielo seco por cada pie cúbico (28 L) del espacio del congelador. Esto ayudará a que los alimentos congelados duren así de 2 a 4 días. Utilice guantes para manejar el hielo seco, ya que puede sufrir quemaduras.
 - Si no cuenta con hielo seco o hielera, consuma lo antes posible los alimentos perecederos.

RECUERDE: Un congelador lleno se mantiene más tiempo frío que uno parcialmente lleno. Un congelador lleno de carne se mantiene más tiempo frío que uno que contenga pastelillos u otros alimentos horneados. Si usted observa que los alimentos tienen cristales de hielo, éstos pueden volver a congelarse sin problema, aunque la calidad y sabor pueden variar. Si los alimentos no se encuentran en buenas condiciones o Ud. cree que no es saludable ingerirlos, deséchelos.

CUIDADOS DURANTE LAS VACACIONES

Si Ud. decide dejar el refrigerador funcionando mientras está ausente, siga estos pasos para preparar su refrigerador antes de irse.

1. Consuma todos los artículos perecederos y congele el resto.
2. Vacíe el recipiente para hielos.

Si Ud. decide apagar el refrigerador antes de irse, siga estos pasos:

1. Saque toda la comida del refrigerador.
2. Desconecte su refrigerador.
3. Limpie el refrigerador, enjuáguelo y séquelo bien.
4. Fije bloques (goma o madera) con cinta adhesiva a ambas puertas para que queden abiertas y el aire circule. Esto evita formación de olores y hongos.

CUIDADOS CUANDO USTED SE MUDA

Si Ud. muda su refrigerador a una casa nueva, siga los siguientes pasos para prepararse para la mudanza.

1. Saque toda la comida del refrigerador y empaque los alimentos congelados con hielo seco.
2. Desconecte su refrigerador.
3. Vacíe el agua de la bandeja colectora.
4. Limpie y seque con un trapo.
5. Saque todas las partes desmontables, envuélvalas bien y asegúrelas con cinta adhesiva para que no se sacudan durante la mudanza. Vea la sección "Uso del Refrigerador".
6. Según el modelo, levante la parte delantera del refrigerador para que ruede con facilidad o ajuste los tornillos niveladores para no rayar el piso. Consulte la sección "Cierre y Alineación de Puertas".
7. Sostenga las puertas cerradas y el cable pegado al gabinete del refrigerador con cinta adhesiva.

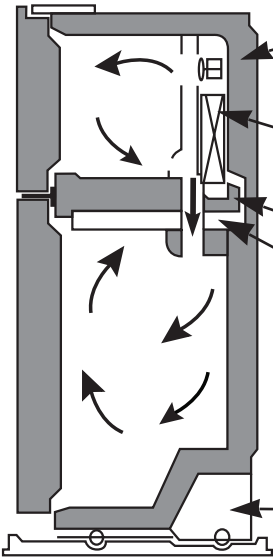
Cuando llegue a la casa nueva, coloque todo de nuevo y lea la sección "Instalación del Refrigerador" para obtener instrucciones de preparación.

GUIA DE SOLUCIÓN DE PROBLEMAS

SONIDOS NORMALES

Su nuevo refrigerador puede hacer ruidos que su viejo refrigerador no hacía; como estos sonidos son nuevos para Ud., puede ser que se preocupe. La mayoría de los sonidos nuevos son normales. Superficies duras, como el piso, las paredes y los gabinetes, pueden hacer que los sonidos parezcan más fuertes de lo que son en realidad. A continuación se describen los tipos de sonidos y qué puede causarlos.

- El temporizador del ciclo de deshielo hará un sonido de "click" cuando el ciclo automático de deshielo comience y termine. Además, el Control del Termostato (o Control del Refrigerador, dependiendo del modelo), emitirá un sonido de "click" cuando comience y termine el ciclo de refrigeración.



- Se puede escuchar un cascabeleo, el cual es debido al flujo del refrigerante, la tubería de agua u objetos colocados en la parte superior del refrigerador.

- Su refrigerador está diseñado para funcionar eficientemente para conservar sus alimentos a la temperatura deseada y usando la mínima cantidad de energía posible. El compresor de alta eficiencia y los ventiladores pueden causar que su nuevo refrigerador funcione por períodos de tiempo más largos que su refrigerador viejo y Ud. puede escuchar un sonido pulsante o agudo que proviene de estos componentes.

- Debido al diseño para el bajo consumo de energía del refrigerador, los abanicos permanecerán apagados, durante el tiempo en que el interruptor de la puerta active la luz interna del compartimento.

- Puede que Ud. escuche el motor del ventilador del evaporador circulando el aire a través de los compartimentos del refrigerador y del congelador. Es posible que aumente la velocidad del ventilador cuando Ud. abra la puerta (debido a que entra calor al refrigerador). El agua que gotea durante un ciclo de deshielo, puede causar ruido de goteo.

- Al final de cada ciclo, Ud. puede escuchar un goteo debido al flujo de líquido refrigerante en su refrigerador.

- La contracción y expansión de las paredes internas pueden causar un ligero sonido de estallido.

- El agua que gotea durante un ciclo de deshielo, puede causar ruido de goteo.

- Ud. puede escuchar aire forzado sobre el condensador causado por el ventilador del condensador.

- Ud. puede escuchar agua corriendo hacia la bandeja colectora durante el ciclo de descongelación.

Problema	Posibles Causas	Soluciones
El refrigerador no enciende	<ul style="list-style-type: none"> • Está conectado el enchufe. • Se ha fundido un fusible o el circuito de electricidad tiene fallas. • El refrigerador se encuentra en el ciclo de descongelación. 	<ul style="list-style-type: none"> • Conecte firmemente el enchufe en un tomacorriente con el voltaje adecuado. Vea la sección Requerimientos de Conexión a Tierra. Reemplace el fusible o haga revisar el circuito eléctrico. • Espere unos 30 minutos para que el ciclo termine.
Sonidos extraños o vibración	<ul style="list-style-type: none"> • El refrigerador no se encuentra firmemente asentado en el piso. 	<ul style="list-style-type: none"> • Necesita ajustar los tornillos niveladores debido a que el piso está débil o no uniforme. Vea la sección de Instalación.
La luz no enciende	<ul style="list-style-type: none"> • El refrigerador está enchufado. • La luz LED no enciende. 	<ul style="list-style-type: none"> • Conecte firmemente el enchufe en un tomacorriente con el voltaje adecuado. • Vea la sección Reemplazo de Luz LED.

GUIA DE SOLUCIÓN DE PROBLEMAS

Problema	Posibles Causas	Soluciones
El compresor parece estar encendido por mucho tiempo	<ul style="list-style-type: none"> • El refrigerador que fue reemplazado era un modelo antiguo. • La temperatura ambiente está más caliente de lo normal. • La puerta se abre muy seguido o se ha almacenado una gran cantidad de alimentos. • El refrigerador fue recientemente enchufado y el control ha sido ajustado correctamente. • El control del refrigerador no está ajustado correctamente. • Las puertas no cierran correctamente. • La cubierta trasera está sucia. 	<ul style="list-style-type: none"> • Los refrigeradores modernos con mayor capacidad de almacenaje requieren mayor tiempo de operación. • El motor seguirá en operación cuando la temperatura ambiente sea alta. En temperaturas normales 70 °F (21 °C) el motor puede estar encendido entre un 40% y 80% del tiempo. En condiciones de temperatura alta, el compresor puede funcionar durante largo tiempo. El refrigerador no debe operar en temperaturas mayores a 110 °F (43 °C). • Al agregar comida o abrir la puerta el refrigerador se calienta. Es normal que el refrigerador opere por más tiempo para enfriar los compartimentos (Vea la Guía para Almacenar Alimentos). Para ahorrar energía, tome lo que necesite en una sola ocasión, mantenga la comida ordenada para encontrarla fácilmente y cierre la puerta del refrigerador tan pronto como saque la comida. • El refrigerador tardará 24 horas para enfriarse completamente. • Vea la sección Ajuste de los Controles. • Empuje las puertas firmemente. Si no se cierran completamente, vea a continuación Las puertas no cierran completamente. • Esto evita la transferencia de aire y hace que el motor trabaje por más tiempo. Limpie la tubería del condensador. Vea la sección Cuidado y Limpieza del Refrigerador.
Las puertas no cierran completamente	<ul style="list-style-type: none"> • El refrigerador no está nivelado. • Los paquetes de comida están obstruyendo las puertas. • El recipiente de hielos, la cubierta de vegetales, los paneles, estantes, contenedores de puertas o recipientes están fuera de posición. • Los empaques (sellos) se pegan. • El refrigerador se tambalea o parece inestable. • Las puertas fueron removidas durante la instalación del producto y no fueron reemplazadas correctamente. 	<ul style="list-style-type: none"> • Vea la sección de Instalación del Refrigerador para nivelar. • Arregle los compartimentos de comida para liberar espacio entre las puertas y las parrillas. • Empuje los contenedores y ponga la cubierta del cajón de vegetales, paneles, estantes y otros contenedores en sus posiciones correctas. Vea la sección Uso del Refrigerador. • Limpie los empaques y las superficies que tocan. Use un trapo con un poco de parafina y aplíquelo sobre los empaques. • Nivele el refrigerador. Vea la sección de Cierre y Alineación de Puertas. • Coloque las puertas de acuerdo a las instrucciones de la sección Como quitar y cambiar las puertas del Refrigerador.
Hay cristales de hielo en la comida	<ul style="list-style-type: none"> • No se ha cerrado correctamente la puerta. • La puerta se abre frecuentemente. 	<ul style="list-style-type: none"> • Vea Las puertas no cierran completamente arriba mencionada. • Cuando la puerta se abre, el aire tibio y húmedo entra en el congelador, provocando la humedad y cristales de hielo.
Hay agua en el recipiente de drenaje	<ul style="list-style-type: none"> • El refrigerador se está descongelando. • Está más húmedo que lo normal. 	<ul style="list-style-type: none"> • El agua se evaporará. Es normal que el agua caiga en el recipiente de drenaje. • Puede que el agua que se encuentra en el recipiente tarde en evaporarse. Es normal cuando el clima está caliente y húmedo.

GUIA DE SOLUCIÓN DE PROBLEMAS

Problema	Posibles Causas	Soluciones
El hielo tiene sabor y olor extraños	<ul style="list-style-type: none"> • El hielo ha sido almacenado por mucho tiempo. • La comida no se ha empacado bien en cada compartimento. • El interior del refrigerador necesita limpieza. • El recipiente de hielos necesita limpieza. 	<ul style="list-style-type: none"> • Deshágase del hielo viejo y haga una nueva provisión. • Vuelva a envolver la comida, ya que los olores se pueden transferir al hielo si la comida no está bien empacada. • Vea la sección de Cuidado de su Refrigerador. • Vacíe el recipiente y tire los cubos viejos.
El refrigerador hace ruido	<ul style="list-style-type: none"> • Los sonidos son normales en su refrigerador. 	<ul style="list-style-type: none"> • Vea la sección Sonidos Normales.
Las puertas son difíciles de abrir	<ul style="list-style-type: none"> • Los empaques (sellos) están sucios o pegajosos. • La puerta se vuelve a abrir tan pronto como usted la cierra. 	<ul style="list-style-type: none"> • Limpie los empaques y las superficies que tocan. Utilice un trapo con parafina y aplíquelo sobre los empaques. • Cuando usted abre la puerta, el aire a alta temperatura entra en el refrigerador. Cuando este aire se enfría rápidamente ocupa un menor volumen y crea un vacío. Si es difícil abrir, espere 5 minutos, luego verifique.
La temperatura está muy caliente o se ha formado humedad en el interior	<ul style="list-style-type: none"> • Las ventilas de aire están bloqueadas. El aire frío circula desde el congelador hacia el refrigerador y regresa a través de las ventilas que dividen estas secciones. • Las puertas se abren frecuentemente. • El control del refrigerador no ha sido ajustado correctamente para las condiciones de la habitación. • Una cantidad grande de alimento acaba de agregarse al compartimento del refrigerador. • La comida no se ha empacado bien en cada compartimento. • No se ha cerrado correctamente la puerta. • El clima está húmedo. • El ciclo de auto-descongelación ha terminado. 	<ul style="list-style-type: none"> • Localice las ventilas usando su mano para revisar el flujo de aire y mueva los paquetes que bloqueen las ventilas y eviten el flujo de aire. • Cuando las puertas se abren, el aire tibio y húmedo entra al refrigerador. Mientras más tiempo estén abiertas, mayor aire tibio y húmedo entrará al refrigerador, lo que provoca la formación de humedad. Para mantener el refrigerador frío, tome lo que necesite de una sola vez y mantenga la comida organizada para que sea más fácil encontrarla y cierre la puerta tan pronto pueda. • Espere 24 horas para estabilizar la temperatura. Si la temperatura es demasiado fría o caliente, mueva el control un nivel a la vez, hasta llegar a la temperatura deseada y espere 1 día. Vea la sección Ajuste de los Controles. • Al agregar comida al refrigerador, éste se calienta. Puede tomar algunas horas en que el refrigerador regrese a su temperatura normal. • Envuelva la comida firmemente y antes de almacenar comida seque los compartimentos para evitar acumulación de humedad. Si es necesario, envuelva la comida de acuerdo a la sección Guía para Almacenar Alimentos. • Vea Las puertas no cierran completamente. • En climas húmedos, el aire contiene humedad, la cual se introduce al refrigerador cuando las puertas son abiertas. • Es normal que se formen gotas de agua en la pared trasera después de completar un ciclo de descongelación.



LG Customer Information Center

1-800-243-0000	USA, Consumer User
1-888-865-3026	USA, Commercial User
1-888-542-2623	CANADA

Register your Product Online!

www.lg.com