

Save this Manual  
for Future Reference

Sears

*owners  
manual*

**MODEL NO.  
113.207600  
SAW ONLY**

**MODEL NO.  
113.207650  
SAW WITH LEGS**

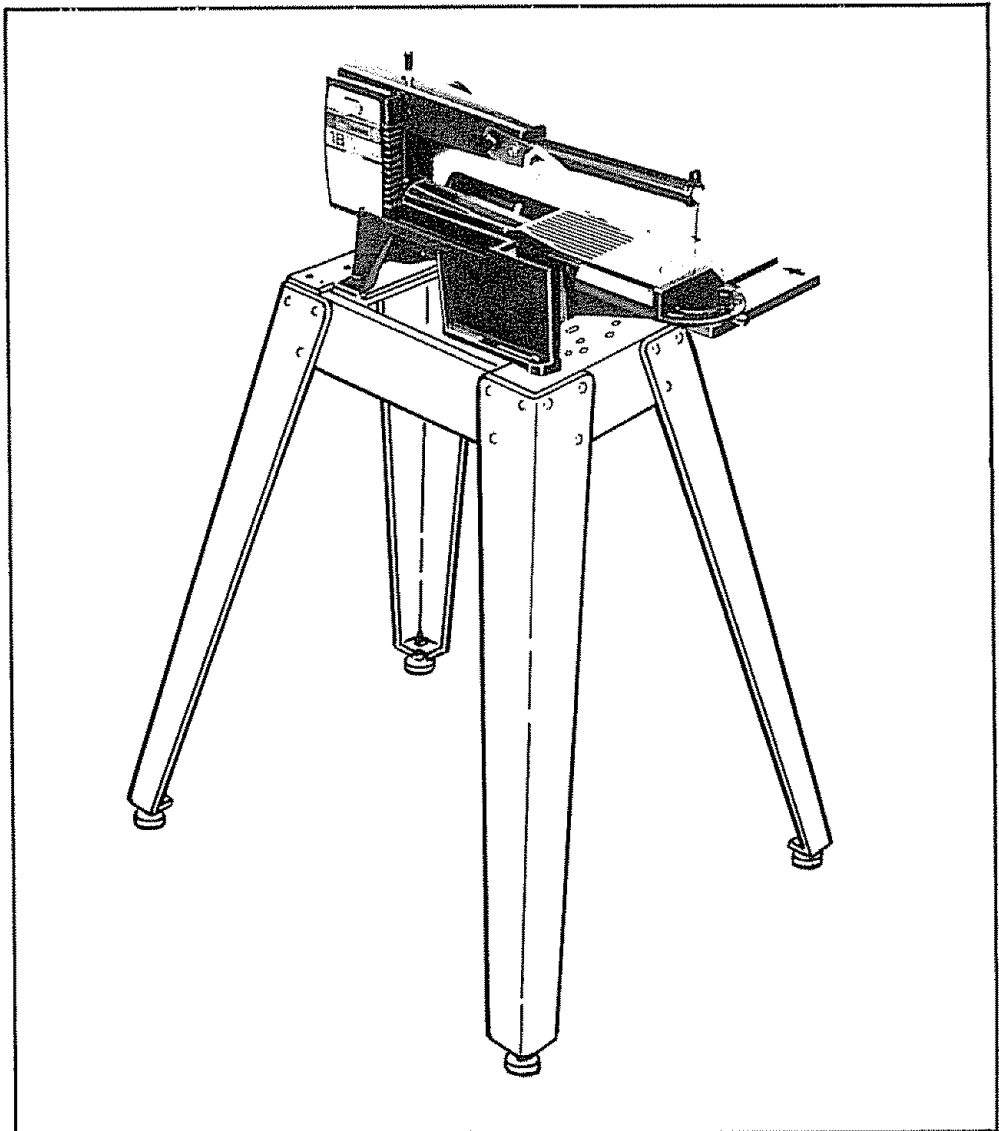
Serial  
Number \_\_\_\_\_

Model and serial  
number may be found  
at the right-hand side  
of the base

You should record both  
model and serial number  
in a safe place for  
future use.

## CAUTION:

Read **GENERAL**  
and **ADDITIONAL**  
**SAFETY**  
**INSTRUCTIONS**  
carefully



Sears

**CRAFTSMAN**

## 18-INCH MOTORIZED SCROLL SAW

- *assembly*
- *operating*
- *repair parts*

Sold by SEARS, ROEBUCK AND CO., Chicago, IL. 60684 U.S.A.

## FULL ONE YEAR WARRANTY ON CRAFTSMAN SCROLL SAW

If within one year from the date of purchase, this Craftsman Scroll Saw fails due to a defect in material or workmanship, Sears will repair it, free of charge.

WARRANTY SERVICE IS AVAILABLE BY SIMPLY CONTACTING THE NEAREST SEARS SERVICE CENTER/DEPARTMENT THROUGHOUT THE UNITED STATES

This warranty applies only while this product is in use in the United States.

This warranty gives you specific legal rights, and you may also have other rights which vary from state to state.

SEARS, ROEBUCK AND CO., 698/731A, Sears Tower, Chicago, IL 60684

# general safety instructions for power tools

- 1. KNOW YOUR POWER TOOL**  
Read and understand the owner's manual and labels affixed to the tool. Learn its application and limitations as well as the specific potential hazards peculiar to this tool.
- 2. GROUND ALL TOOLS**  
This tool is equipped with an approved 3-conductor cord and a 3-prong grounding type plug to fit the proper grounding type receptacle. The green conductor in the cord is the grounding wire. Never connect the green wire to a live terminal.
- 3. KEEP GUARDS IN PLACE**  
— in working order, and in proper adjustment and alignment.
- 4. REMOVE ADJUSTING KEYS AND WRENCHES**  
Form a habit of checking to see that keys and adjusting wrenches are removed from tool before turning it on.
- 5. KEEP WORK AREA CLEAN**  
Cluttered areas and benches invite accidents. Floor must not be slippery due to wax or sawdust.
- 6. AVOID DANGEROUS ENVIRONMENT**  
Don't use power tools in damp or wet locations or expose them to rain. Keep work area well lighted. Provide adequate surrounding work space.
- 7. KEEP CHILDREN AWAY**  
All visitors should be kept a safe distance from work area.
- 8. MAKE WORKSHOP KID-PROOF**  
— with padlocks, master switches, or by removing starter keys.
- 9. DON'T FORCE TOOL**  
It will do the job better and safer at the rate for which it was designed.
- 10. USE RIGHT TOOL**  
Don't force tool or attachment to do a job it was not designed for.
- 11. WEAR PROPER APPAREL**  
Do not wear loose clothing, gloves, neckties or jewelry (rings, wristwatches) to get caught in moving parts. NONSLIP footwear is recommended. Wear protective hair covering to contain long hair. Roll long sleeves above the elbow.
- 12. USE SAFETY GOGGLES (Head Protection)**  
Wear safety goggles (must comply with ANSI Z87.1) at all times. "Everyday eyeglasses only have impact resistant lenses, they are NOT safety glasses." Also, use face or dust mask if cutting operation is dusty, and ear protectors (plugs or muffs) during extended periods of operation.
- 13. SECURE WORK**  
Use clamps or a vise to hold work when practical. It's safer than using your hands and frees both hands to operate tool.
- 14. DON'T OVERREACH**  
Keep proper footing and balance at all times.
- 15. MAINTAIN TOOLS WITH CARE**  
Keep tools sharp and clean for best and safest performance. Follow instructions for lubricating and changing accessories.
- 16. DISCONNECT TOOLS**  
before servicing; when changing accessories such as blades, bits, cutters, etc.
- 17. AVOID ACCIDENTAL STARTING**  
Make sure switch is in "OFF" position before plugging in power cord.
- 18. USE RECOMMENDED ACCESSORIES**  
Consult the owner's manual for recommended accessories. Follow the instructions that accompany the accessories. The use of improper accessories may cause hazards.
- 19. NEVER STAND ON TOOL**  
Serious injury could occur if the tool is tipped or if the cutting tool is accidentally contacted.  
Do not store materials above or near the tool such that it is necessary to stand on the tool to reach them.
- 20. CHECK DAMAGED PARTS**  
Before further use of the tool, a guard or other part that is damaged should be carefully checked to ensure that it will operate properly and perform its intended function. Check for alignment of moving parts, binding of moving parts, breakage of parts, mounting, and any other conditions that may affect its operation. A guard or other part that is damaged should be properly repaired or replaced.
- 21. DIRECTION OF FEED**  
Feed work into a blade or cutter against the direction of rotation of the blade or cutter only.
- 22. NEVER LEAVE TOOL RUNNING UNATTENDED**  
Turn power off. Don't leave tool until it comes to a complete stop.

# additional safety instructions for scroll saw

Safety is a combination of operator common sense and alertness at all times when the scroll saw is being used.

**WARNING: FOR YOUR OWN SAFETY, DO NOT ATTEMPT TO OPERATE YOUR SCROLL SAW UNTIL IS IS COMPLETELY ASSEMBLED AND INSTALLED ACCORDING TO THE INSTRUCTIONS . . . AND UNTIL YOU READ AND UNDERSTAND THE FOLLOWING:**

	PAGE
1. General Safety Instructions for Power Tools	2
2. Getting To Know Your Scroll Saw	15
3. Basic Scroll Saw Operation	17
4. Maintenance	18
5. Stability of Machine.	

Your scroll saw must be bolted securely to a stand or work bench. In addition, if there is any tendency for the scroll saw to move during certain operations, bolt your scroll saw stand or workbench to the floor.

## 6. Location

This scroll saw is intended for indoor use only.

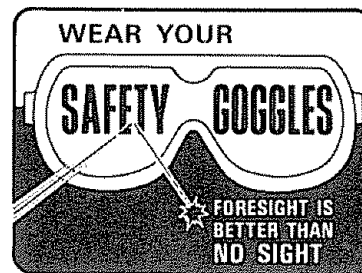
## 7. Protection: Eyes, Hands, Face, Ears, Body

- a. Wear safety goggles that comply with ANSI Z87.1 and a face shield if operation is dusty. Wear ear plugs or muffs during extended periods of operation. Do not wear gloves . . . roll long sleeves above the elbow.
- b. Do not cut pieces of material too small to hold by hand.
- c. Avoid awkward hand positions where a sudden slip could cause a hand to move into the blade.
- d. Never turn your scroll saw "ON" before clearing the table of all objects (tools, scraps of wood, etc.) except for the workpiece and related feed or support devices for the operation planned.
- e. Make sure the blade teeth point downward toward the table.
- f. Always adjust blade tension correctly.
- g. ALWAYS adjust the blade guard to just contact the workpiece to protect the operator, and to provide maximum support of workpiece.
- h. When cutting a large piece of material, make sure it is supported at table height.
- i. Hold the work firmly against the table.
- j. Do not feed the material too fast while cutting. Only feed the material fast enough so that the blade will cut. Keep fingers away from the blade.
- k. Use caution when cutting off material which is irregular in cross section which could pinch the blade before the cut is completed. A piece of molding for example must lay flat on the table and not be permitted to rock while being cut.
- l. Use caution when cutting off round material such as dowel rods, or tubing. They have a tendency to roll while being cut causing the blade to "bite" Always use a "V" block, or clamp round material to a miter gauge.

- m. When backing the blade out of the workpiece, the blade may bind in the kerf (cut) this is usually caused by sawdust clogging up the kerf. If this happens: Turn off the scroll saw . . . remove plug from power source outlet . . . wedge open the kerf . . . back the blade out of the workpiece.
  - n. Never leave the scroll saw work area with the power on, before the machine has come to a complete stop, or without removing and storing the switch key.
  - p. Do not perform layout, assembly, or setup work on the table while the cutting tool is operating.
  - q. Turn saw "OFF" and remove plug from power supply outlet before installing or removing an accessory or attachment.
8. Should any part of this scroll saw be missing, bent, or fail in any way, or any electrical component fail to perform properly, shut off power switch and remove plug from power supply outlet. Replace damaged, missing, and/or failed parts before resuming operation.

## 9. Think Safety.

Safety is a combination of operator common sense and alertness whenever the scroll saw is in operation.



The operation of any power tool can result in foreign objects being thrown into the eyes, which can result in severe eye damage. Always wear safety goggles complying with ANSI Z87.1 (shown on Package) before commencing power tool operation. Safety goggles are available at Sears retail or catalog stores.

**CRAFTSMAN**

18"

SCROLL SAW

MOTORIZED

DANGER FOR YOUR OWN SAFETY

READ AND UNDERSTAND OWNER'S MANUAL BEFORE OPERATING THIS SAW

- 1 ALWAYS WEAR SAFETY GOGGLES OR FACE SHIELD
- 2 INSTALL BLADE SO TEETH POINT DOWN TOWARD TABLE
- 3 KEEP FINGERS A SAFE DISTANCE FROM THE BLADE
- 4 MAINTAIN CONTROL OF THE WORKPIECE AT ALL TIMES - HOLD FIRMLY AGAINST THE TABLE
- 5 ADJUST GUARD/HOLD-DOWN TO MAKE CONTACT WITH TOP OF WORKPIECE - LOCK IN PLACE
- 6 TURN SAW OFF AND REMOVE SWITCH KEY BEFORE MAKING ANY ADJUSTMENTS - CHANGING BLADES OR ACCESSORIES
- 7 ADJUST BLADE TENSION BY HAND (NO TOOLS) BEFORE TURNING ON
- 8 RAISE GUARD/HOLD-DOWN WHEN TILTING FROM 0°

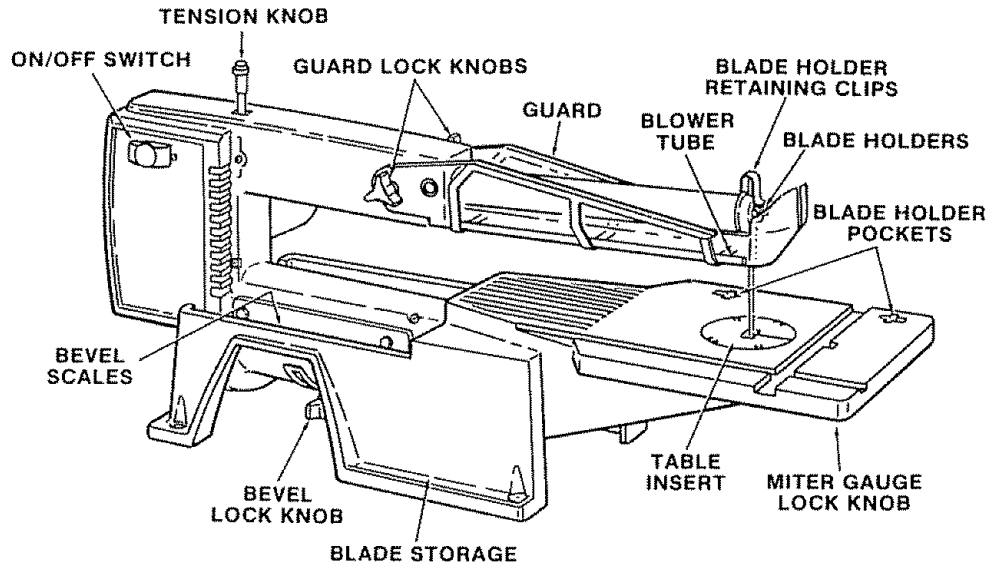
E19923

MOTOR: 120V 2.0A 60HZ AC ONLY

**WARNING: ALWAYS KEEP ALERT. DO NOT ALLOW FAMILIARITY (GAINED FROM FREQUENT USE OF YOUR SCROLL SAW) TO CAUSE A CARELESS MISTAKE. ALWAYS REMEMBER THAT A CARELESS FRACTION OF A SECOND IS SUFFICIENT TO INFLICT SEVERE INJURY.**



# location and function of controls



## motor specifications and electrical requirements

This machine is equipped with a 1725 RPM motor. It is wired for operation on 110-120 volts, 60 Hz., alternating current. (TOOL MUST NOT BE CONVERTED TO OPERATE ON 230 VOLT)

For replacement motor refer to parts list in this manual.

### CONNECTING TO POWER SUPPLY OUTLET

If power cord is worn or cut, or damaged in any way, have it replaced immediately

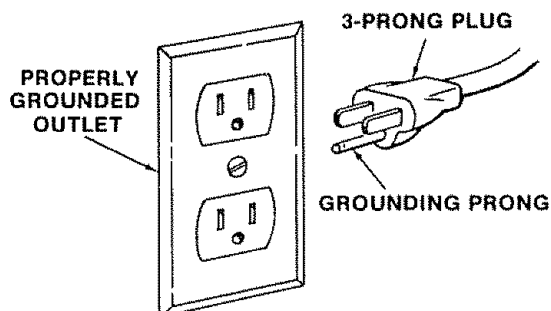
**WARNING: IF NOT PROPERLY GROUNDED THIS POWER TOOL CAN CAUSE AN ELECTRICAL SHOCK PARTICULARLY WHEN USED IN DAMP LOCATIONS CLOSE TO PLUMBING. IF AN ELECTRICAL SHOCK OCCURS THERE IS THE POTENTIAL OF A SECONDARY HAZARD SUCH AS YOUR HANDS CONTACTING THE SAW BLADE.**

If you are not sure that your outlet, as pictured below, is properly grounded, have it checked by a qualified electrician

Your unit is for use on 110-120 volts, and has a plug that looks like illustration below.

This power tool is equipped with a 3-conductor cord and grounding type plug which has been approved by Underwriters' Laboratories and the Canadian Standards Association. The ground conductor has a green jacket and is attached to the tool housing at one end and to the ground prong in the attachment plug at the other end.

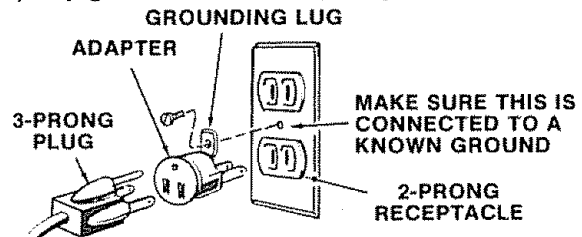
**WARNING: DO NOT PERMIT FINGERS TO TOUCH THE TERMINALS OF PLUGS WHEN INSTALLING OR REMOVING THE PLUG TO OR FROM THE OUTLET.**



Plug power cord into a 110-120V properly grounded type outlet protected by a 15-amp dual element time delay or Circuit-Saver fuse or circuit breaker.

If the outlet you are planning to use for this power tool is of the 2 prong type, DO NOT REMOVE OR ALTER THE GROUNDING PRONG IN ANY MANNER Use an adapter as shown below and always connect the grounding lug to known ground

It is recommended that you have a qualified electrician replace the TWO prong outlet with a properly grounded THREE prong outlet



An adapter as illustrated is available for connecting plugs to 2-prong receptacles.

**WARNING: THE GREEN GROUNDING LUG EXTENDING FROM THE ADAPTER MUST BE CONNECTED TO A PERMANENT GROUND SUCH AS TO A PROPERLY GROUNDED OUTLET BOX. NOT ALL OUTLET BOXES ARE PROPERLY GROUNDED.**

If you are not sure that your outlet box is properly grounded, have it checked by a qualified electrician.

**NOTE:** The adapter illustrated is for use only if you already have a properly grounded 2-prong receptacle. Adapter is not allowed in Canada by the Canadian Electrical Code

The use of any extension cord will cause some loss of power. To keep this to a minimum and to prevent over-heating and motor burn-out, use the following table to determine the minimum wire size (A.W.G.) extension cord.

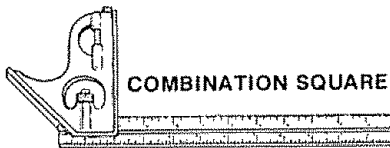
Use only 3 wire extension cords which have 3-prong grounding type plugs and 3-pole receptacles which accept the tools plug

Extension Cord Length	Wire Size A.W.G.
0-25 ft.	16
26-50 ft.	14
51-100 ft.	12

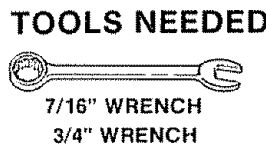
# contents

<b>POWER TOOL WARRANTY</b> .....	2	<b>GETTING TO KNOW YOUR SCROLL SAW</b>	
<b>GENERAL SAFETY INSTRUCTIONS FOR POWER TOOLS</b> .....	2	Tension Control Knob .....	15
<b>ADDITIONAL SAFETY INSTRUCTIONS FOR SCROLL SAW</b> .....	3	Guard Lock Knobs .....	15
<b>MOTOR SPECIFICATIONS AND ELECTRICAL REQUIREMENTS</b> .....	4	Guard .....	15
<b>UNPACKING AND CHECKING CONTENTS</b> .....	5	Blower Tube .....	15
<b>ASSEMBLY</b>		Blade Holder Retaining Clips .....	15
Assembling Steel Legs .....	6	Blade Holders .....	15
Mounting Scroll Saw on Leg Set .....	7	Blade Holder Pockets .....	15
Mounting Scroll Saw to Workbench .....	7	Miter Gauge Lock Knob .....	15
Mounting Scroll Saw to Mounting Board .....	8	Table Insert .....	15
Adjusting Guard .....	8	Blade Storage .....	15
Installing Miter Lock Knob .....	8	Bevel Lock Knob .....	15
Blade Installation and Tensioning for Plain-End and Pin Type Blades .....	9	Bevel Scales .....	15
To Install/Tension Plain End Blades .....	9	On-Off Switch .....	15
Adjusting Insert To Table .....	10	Blade Storage .....	16
To Install/Tension Pin Type Blades .....	11	<b>BASIC SCROLL SAW OPERATION</b>	
To Remove Plain-End or Pin Type Blades .....	11	Sawing/Scrolling .....	17
Adjusting the Blade Square to Table .....	13	Bevel Setting/Cutting .....	17
Installation of Bevel Scales .....	14	Use of Miter Gauge-Crosscutting .....	18
		Use of Miter Gauge-Ripping .....	18
		<b>MAINTENANCE</b> .....	18
		<b>RECOMMENDED ACCESSORIES</b> .....	19
		<b>TROUBLESHOOTING</b> .....	19
		<b>REPAIR PARTS</b> .....	20

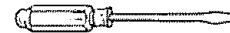
## unpacking and checking contents



COMBINATION SQUARE



7/16" WRENCH  
3/4" WRENCH



MEDIUM SCREWDRIVER

COMBINATION SQUARE MUST BE TRUE

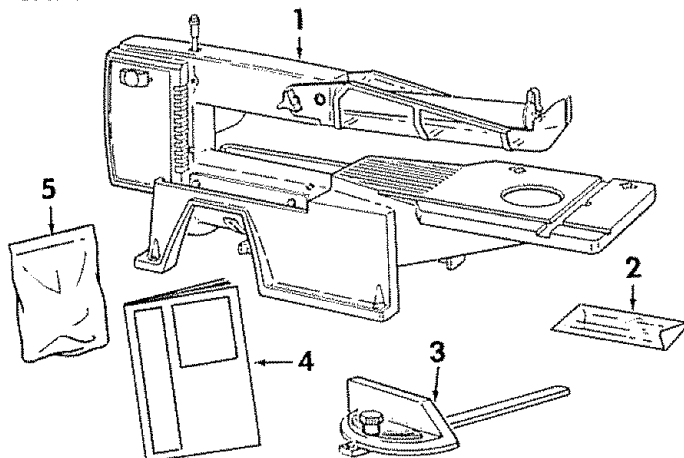
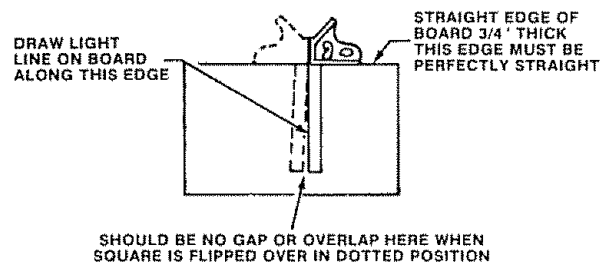
Model 113 207600 Scroll Saw is shipped complete in one carton but DOES NOT INCLUDE Steel Legs. Model 113.207650 Scroll Saw is shipped complete in one carton and INCLUDES Steel Legs.

Separate all parts from packing materials and check each item with illustration and "Table of Loose Parts". Make certain all items are accounted for before discarding any packing material.

If any parts are missing, do not attempt to assemble the Scroll Saw, plug in the power cord, or turn the switch on until the missing parts are obtained and installed correctly.

Wipe the base with a clean, dry cloth.

**WARNING: FOR YOUR OWN SAFETY, NEVER CONNECT PLUG TO POWER SOURCE OUTLET UNTIL ALL ASSEMBLY STEPS ARE COMPLETE, AND YOU HAVE READ AND UNDERSTAND THE SAFETY AND OPERATIONAL INSTRUCTIONS.**

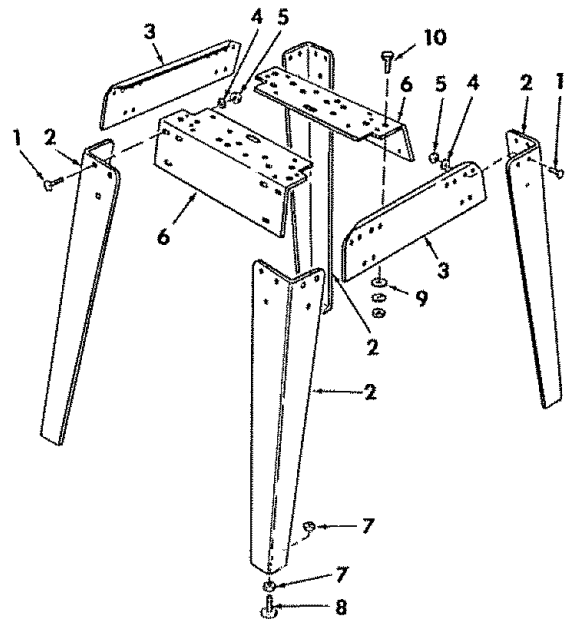


Item	Table of Loose Parts	Qty.
1	Scroll Saw .....	1
Δ 2	Blade Pack (containing 3 blades) .....	1
3	Miter Gauge .....	1
4	Owner's Manual .....	1
5	Bag Assembly Part #66031 .....	1
	Containing the following parts:	
	Holder, Blade .....	4
	Clip, Blade .....	4
	Key, Switch .....	1
	Knob .....	1
	Wedge, Rip Fence .....	1
Δ	Blade Holder Key .....	2
	Wrench, Hex "L" 3/32 .....	1
Δ	Scale, Bevel .....	2
	Insert, Table .....	1
	Screw Soc. Set 10-32 x 1/4 .....	4
	Washer 13/64 x 5/8 x 1/32 .....	1
	*Nuts, Hex 1/4-20 .....	4
	*Lockwasher 1/4 .....	4
	*Bolts, Carriage 1/4-20 x 2-1/2 .....	4
	*Bumper, Rubber .....	4
	*Washer 17/64 x 3/4 x 1/16 .....	4

ΔContained in separate bag inside loose parts bag #66031  
\*Mounting Hardware for workbench or mounting board

Item	Description	Qty.
1	Screw, Serrated Truss Hd. 1/4-20 x 5/8	24
2	Leg	4
3	Stiffener, Side	2
4	*Lockwasher, Ext 1/4	24
5	*Nut, Hex 1/4-20	24
6	Stiffener, End	2
7	*Nut, Hex 1/2-13	8
8	Foot, Leveling	4
9	*Washer 17/64 I.D.	4
10	Screw Hex Hd. 1/4-20 x 1-1/4	4

\*Parts contained in Loose Parts Bag No. 66037

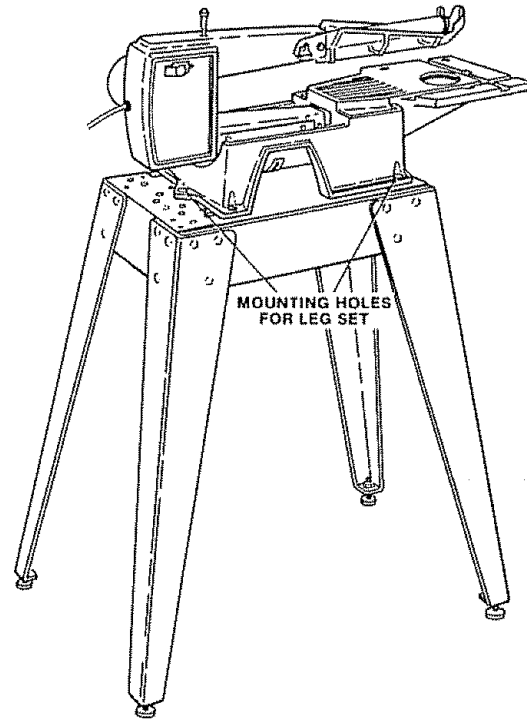


## assembly

**SPECIAL NOTE:** It is normal for this scroll saw to vibrate during operation. For this reason the scroll saw **MUST** be fastened down securely to a leg set or workbench during operation.

This Leg Set is included with Model No. 113.207650 only.

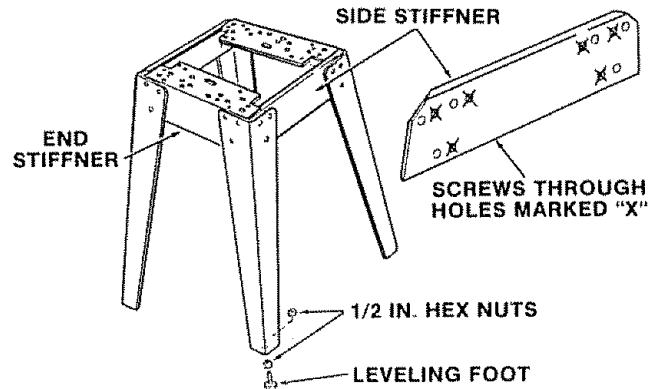
**NOTE:** For illustrative purposes, the Scroll Saw is shown mounted on the Craftsman Catalog No. 9-22239 Steel Leg Set.



### ASSEMBLING STEEL LEGS

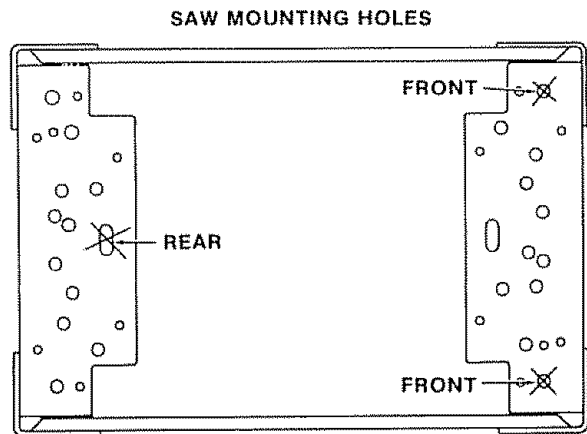
1. Insert the Truss Head Screws through the holes in the legs, then through the holes in the stiffeners. **MAKE SURE THE SCREWS GO THROUGH THE HOLES IN THE SIDE STIFFENERS MARKED "X"**.
2. Install lockwashers and screw on the nuts, but do not tighten until completely assembled.
3. Install leveling feet as shown. To level Leg Set, loosen nut on inside of leg and turn nut on outside to raise or lower feet. Adjust all four levelers, if necessary, and then tighten nuts on inside of leg.

**NOTE:** These levelers are not intended for height adjustment.



## MOUNTING SCROLL SAW ON LEG SET

1. Place the Scroll Saw on the Steel Legs, position as shown by aligning the mounting holes in the base of the Scroll Saw with those in the END STIFFENERS (marked with an X in the illustration).
2. Mount saw to Leg Set using three (3) 1/4-20 carriage bolts, three (3) 1/4-20 nuts, three (3) flat washers, and three (3) 1/4" lockwashers. Tighten nuts using wrench.

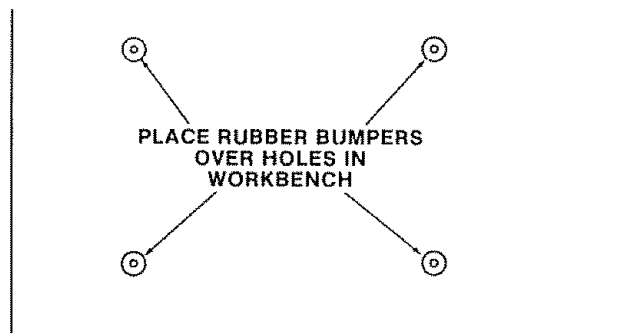
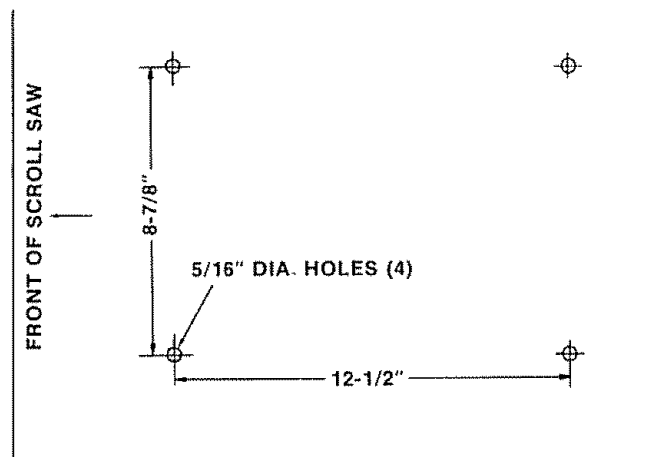


## MOUNTING SCROLL SAW TO WORKBENCH

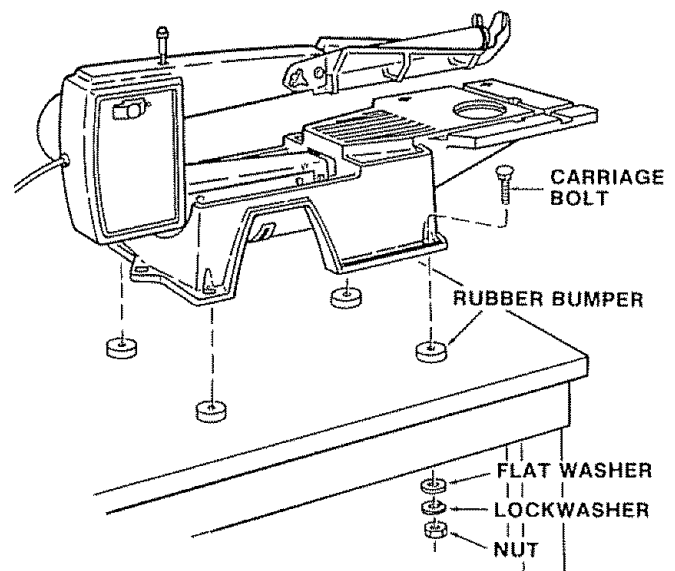
Anytime the Scroll Saw is in operation, it must be fastened securely to a firm, supporting surface such as a Leg Set (9-22239) or a workbench.

When mounting Scroll Saw to a workbench, holes should be drilled through supporting surface of the workbench using dimensions illustrated.

1. Scroll Saw should be bolted securely using the following hardware found in Loose Parts Bag: Four (4) 1/4-20 carriage bolts, four (4) 1/4-20 nuts, four (4) flatwashers, and four (4) lockwashers. Bolts must be of sufficient length to accommodate the saw base, rubber bumpers, washers, hex nuts, and thickness of the supporting surface.
2. Locate four (4) rubber bumpers in Loose Parts Bag. These should be used when mounting Scroll Saw on a solid surface.
3. Locate and mark holes where Scroll Saw is to be mounted.
4. Drill four (4) 5/16" diameter holes through workbench.
5. Place rubber bumpers over holes in workbench, with large opening in rubber bumper against top surface of workbench.



6. Place Scroll Saw on rubber bumpers and align holes in workbench, rubber bumpers, and Scroll Saw Base.
7. Insert and tighten all four (4) bolts, washers, lockwashers, and nuts using wrench.



# assembly

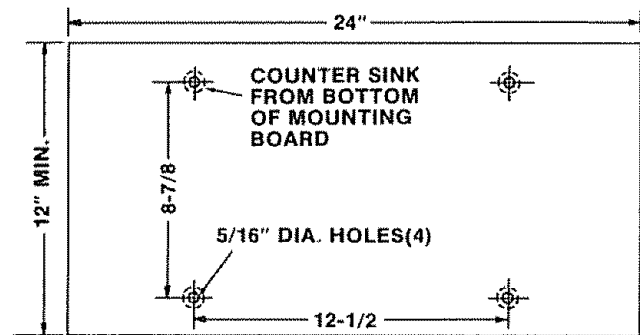
## MOUNTING SCROLL SAW TO MOUNTING BOARD

An alternate method of mounting is to fasten Scroll Saw to a mounting board. The board should be of sufficient size to avoid tipping of saw while in use. Any good grade of plywood or chipboard with a 3/4" minimum thickness is recommended.

1. Follow instructions for mounting to a workbench, substituting a board 12" x 24" minimum size and using 1/4 inch flat head screws, lockwashers, and hex nuts. Screws must be of sufficient length to accommodate saw base, rubber feet, washers, hex nuts, and thickness of supporting board

**NOTE:** Holes must be counter sunk so screw heads are flush with **bottom** surface of supporting board

2. Locate, mark, and drill holes through mounting board, and install screws, lockwashers, and nuts. Tighten with wrench.



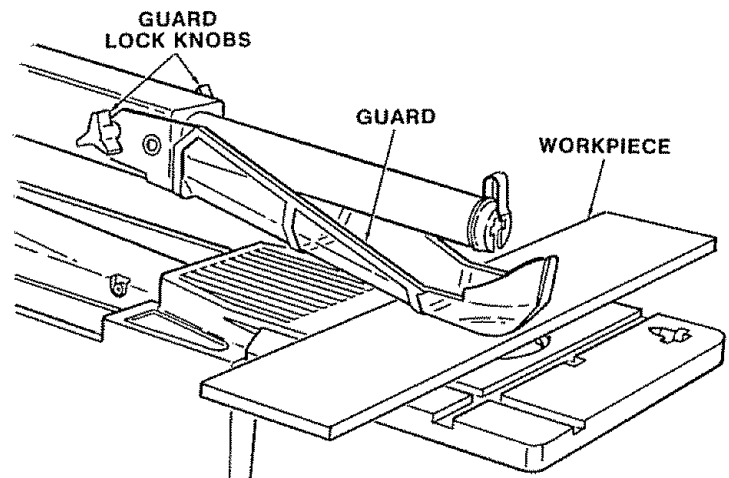
3. Securely clamp board to workbench using C clamps.

**NOTE:** Supporting surface where Scroll Saw is mounted should be examined carefully after mounting to insure that no movement during use can result. If any tipping or walking is noted, secure workbench, legs, or supporting surface before operating Scroll Saw.

## ADJUSTING GUARD

The Scroll Saw is shipped with a guard and lock knobs installed

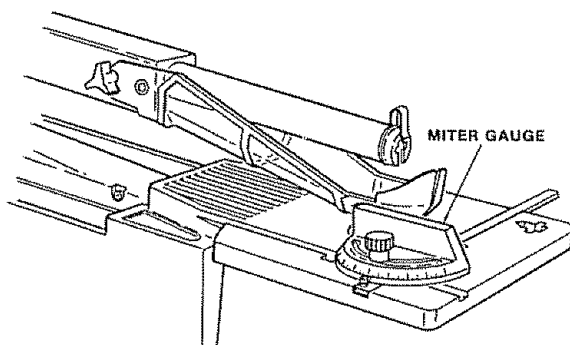
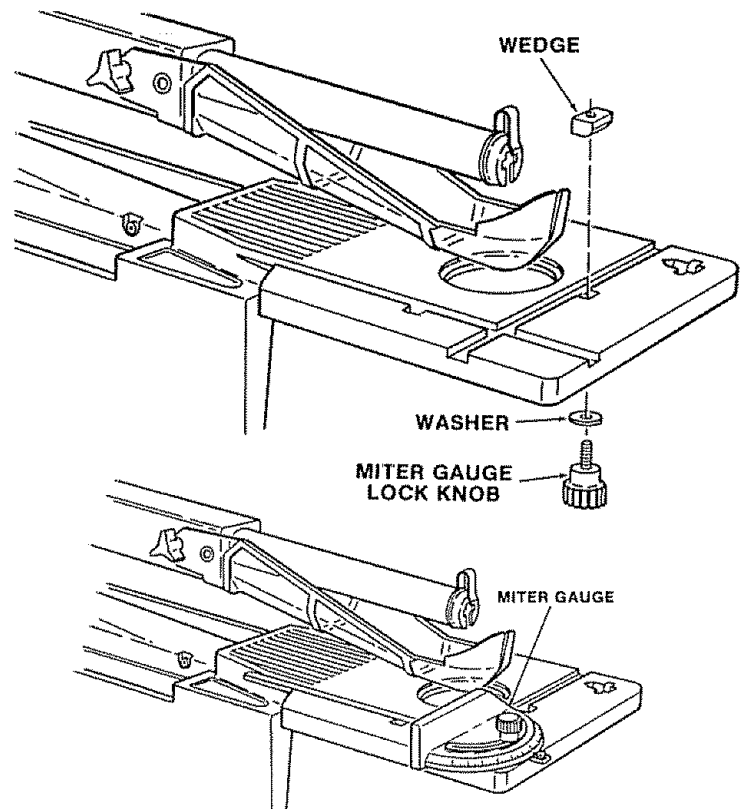
1. Adjust guard by loosening the two (2) guard lock knobs and raising guard to desired height above table. Tighten guard lock knobs by hand.
2. Guard should be against top of workpiece to provide additional control, but permit movement of workpiece, flat on table.



## INSTALLING MITER LOCK KNOB

1. Locate one (1) miter gauge lock knob, one (1) 13/64 x 5/8 x 1/32 washer, and one (1) wedge among loose parts.
2. Insert wedge into tapered recess next to front miter slot.
3. Install washer and knob from underside of table, by engaging knob into wedge. Tighten knob by hand

**NOTE:** A miter gauge is included with the Scroll Saw. With the wedge locking feature, the operator can use the miter gauge to perform ripping as well as miter and crosscuts.



# BLADE INSTALLATION AND TENSIONING FOR PLAIN-END OR PIN TYPE BLADES

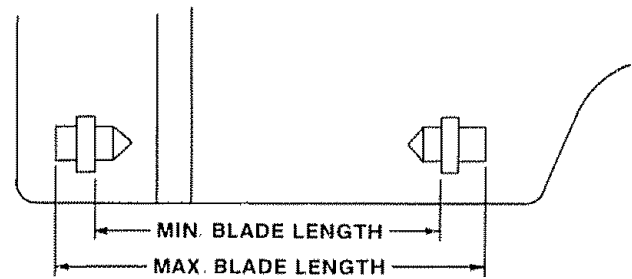
**NOTE:** Included with the scroll saw are three 5" blades. This saw can accommodate 5" to 6" plain-end blades, and 5" pin type blades.

## TO INSTALL/TENSION PLAIN-END BLADES:

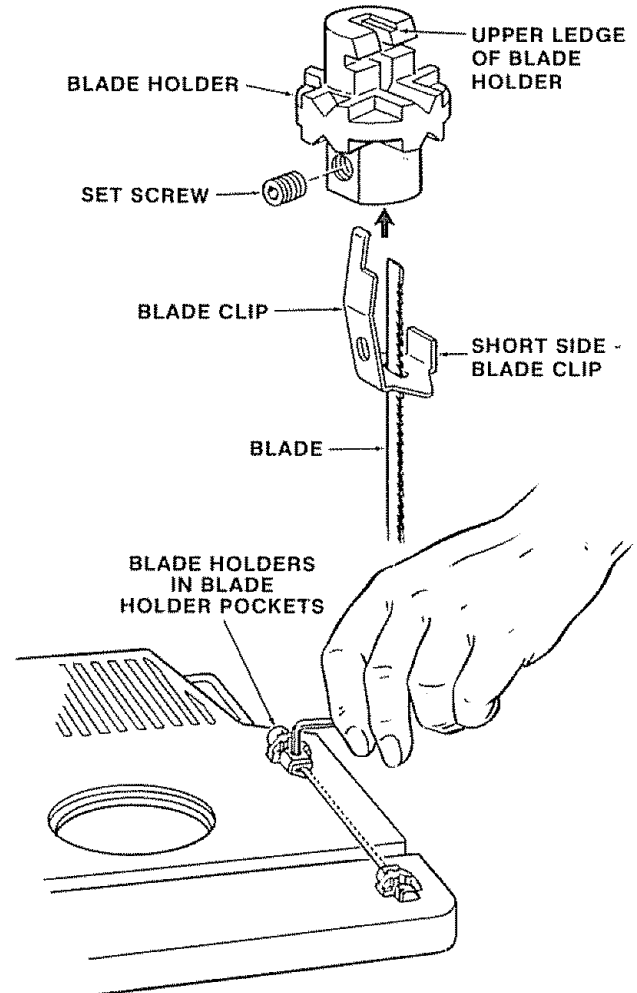
**WARNING: FOR YOUR OWN SAFETY, TURN SWITCH "OFF", REMOVE KEY AND REMOVE PLUG FROM POWER SOURCE OUTLET BEFORE REMOVING OR INSTALLING SAWBLADE.**

**NOTE:** Use blade holder pockets to verify correct blade length and positioning

1. Locate four (4) blade holders, four (4) 10-32 x 1/4 set screws, one (1) blade, four (4) blade clips, and one (1) set screw wrench among loose parts. Two (2) extra blade holder assemblies are provided for quick and convenient changing of blades.
2. Insert one (1) blade clip into each blade holder by pushing clip through holder until it snaps into place catching upper ledge. Insert one 10-32 x 1/4 set screw into each blade holder.
3. Insert blade into one holder by pushing short side of blade clip towards set screw, installing blade, and releasing side of blade clip. Place holder into blade holder pocket in table (set screw side upward) and check for proper extension squaring blade to opposite blade holder pocket center point. Tighten set screw with wrench provided.
4. Insert blade into other holder (as described above). Place both holders in pockets in table to achieve proper spacing and tighten other set screw.
5. Place holder assembly in table insert hole; make sure the teeth are pointing downward.

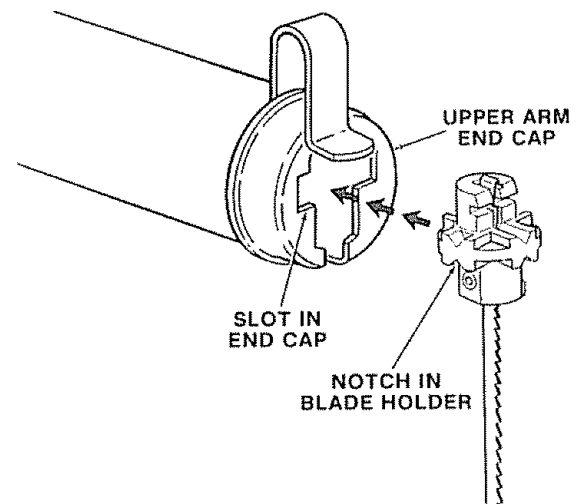


BLADE HOLDER POCKETS USED AS BLADE LENGTH GAUGE



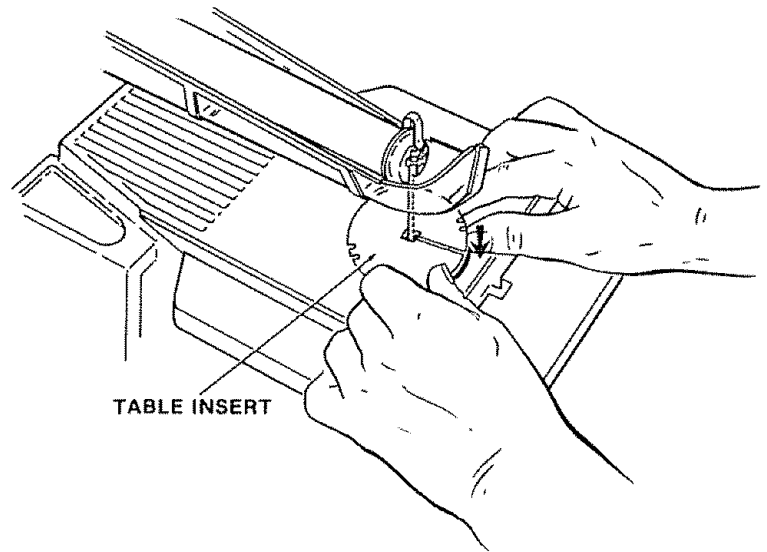
6. Set notches in blade holders into slots inside upper and lower arm end caps. The blade holders provide slots for orientating blade in any 90° position.

**NOTE:** Blade holders do not touch the retainer clips after being properly installed. The purpose of the retainer clips is to deflect the blade holders if the blade breaks.



# assembly

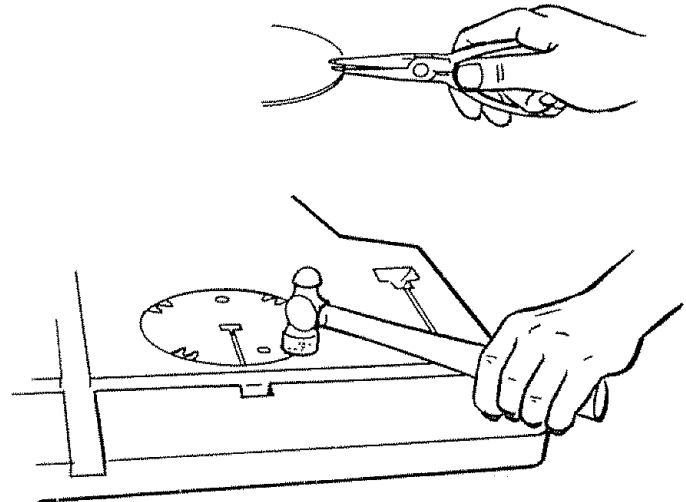
7. Locate table insert among loose parts and install in table by sliding the insert in place from back to front of blade, aligning rear tab on back of insert, and pushing downward on front of insert.



## ADJUSTING INSERT TO TABLE

If insert is higher than table top, adjust insert by tapping lightly with hammer at each tab location until insert is flush with table top

If insert is lower than table top, adjust insert by slightly bending down all four tabs with a needle nose pliers.



## TENSIONING THE BLADE-

To apply the proper tension to the blade after blade and holders are securely in place, turn the tension knob clockwise **BY HAND** until tight. (5 full revolutions with a wide blade; up to 7 full revolutions with a narrow blade) **DO NOT** use any type of mechanical device or tool on tension knob.

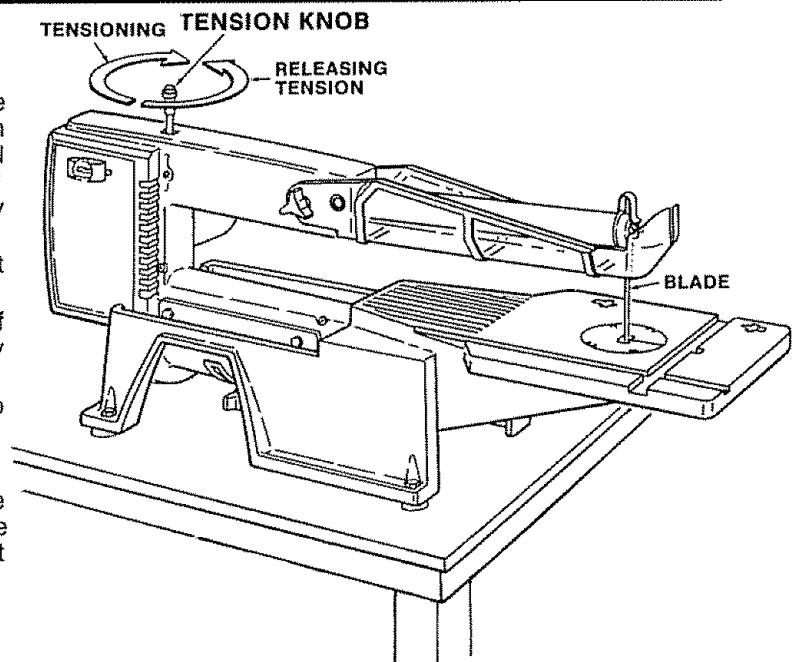
As tension is being applied, recheck the alignment of the blade holder notch in the end cap slot.

To check blade tension - push thumb against side of the blade in the middle. Blade should move only slightly with moderate pressure.

**NOTE:** Blades tend to break more easily with too little tension than with too much tension.

## TO CHECK BLADE INSTALLATION-

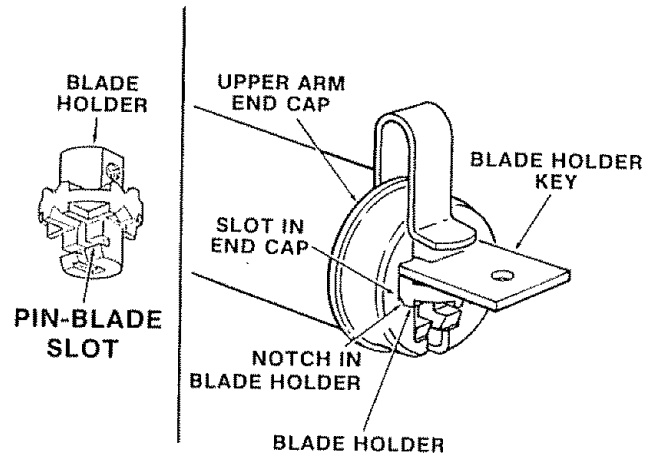
With blade properly installed and tensioned, place flat-head screwdriver in motor slot and rotate manually by turning screwdriver to check correct installation and clearance of the blade.



## TO INSTALL/TENSION PIN TYPE BLADES:

**WARNING: FOR YOUR OWN SAFETY, TURN SWITCH "OFF", REMOVE KEY AND REMOVE PLUG FROM POWER SOURCE OUTLET BEFORE REMOVING OR INSTALLING SAWBLADE.**

1. Locate two (2) blade holders among loose parts
2. Blade clips and set screws are not needed in blade holders with pin type blades; they can be stored in base of unit. If previously installed there is no need to remove clips and screws, but set screws should be securely tightened in holders.
3. Place each blade holder in upper and lower arm cap ends (with pin-blade slot closest to table) by pulling retainer clips up and aligning notches in blade holders with slot in cap. Position pin-blade slot towards table and front of saw for easy access
4. Locate two (2) blade holder keys among loose parts.
5. Position one key over top holder, and one key under bottom holder to secure holders while installing blade.
6. Install (pin type) blade first in lower blade holder, then in upper blade holder by sliding pin into pin-blade slot.

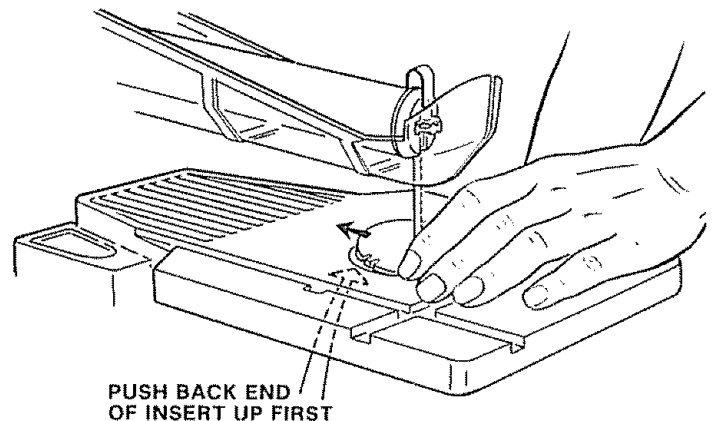


7. Apply tension by turning tension knob clockwise **BY HAND** until tight. (5 full revolutions with a wide blade; up to 7 full revolutions with a narrow blade) **DO NOT** use any type of mechanical device or tool on tension knob (See: TENSIONING THE BLADE).
8. Remove blade holder keys from upper and lower blade holders and store keys for future use

## TO REMOVE PLAIN-END OR PIN TYPE BLADES

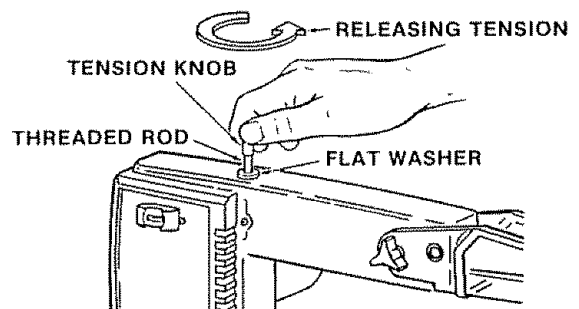
**WARNING: FOR YOUR OWN SAFETY, TURN SWITCH "OFF", REMOVE KEY AND REMOVE PLUG FROM POWER SOURCE OUTLET BEFORE REMOVING OR INSTALLING SAWBLADE.**

1. Remove table insert by pushing gently upward at back of insert and pulling back of insert up to release front insert tab. Move insert backward to clear blade from insert slot.



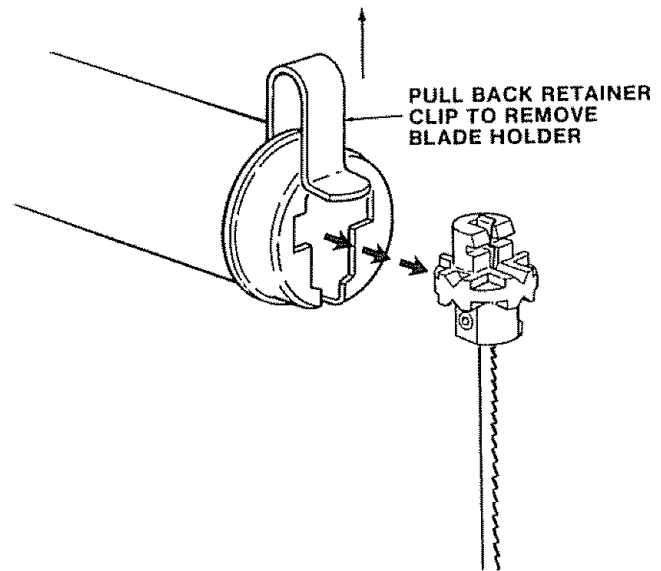
2. Release tension knob by turning counter clockwise until blade assembly is loose.

**NOTE:** Do not turn knob beyond point where blade loosens because the knob could disengage if turning continues. If knob is turned too far and disengages from rod, slowly lift up on outer end of upper arm to expose threaded rod. Carefully engage flat washer and knob on rod, and tighten knob.

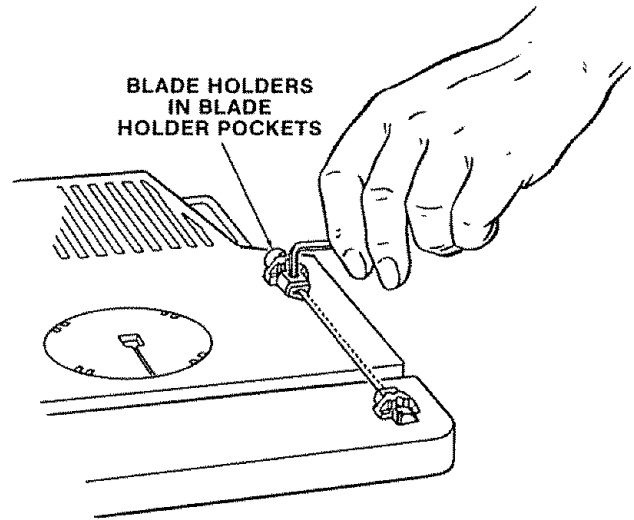


# assembly

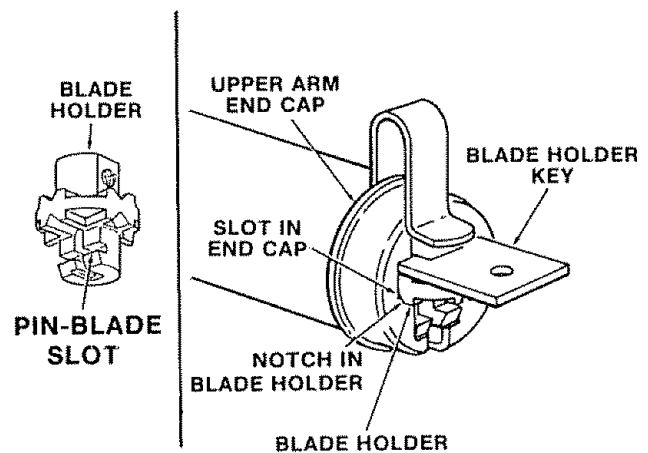
3. For plain-end blades, remove blade holders (with blade installed) from retainer clips by pulling clips away from blade holders. Pull out upper and lower blade holders. Place blade holder assembly in blade holder pockets with set screw side upward.



4. Use set screw wrench to remove set screws in blade holders, and remove blade.



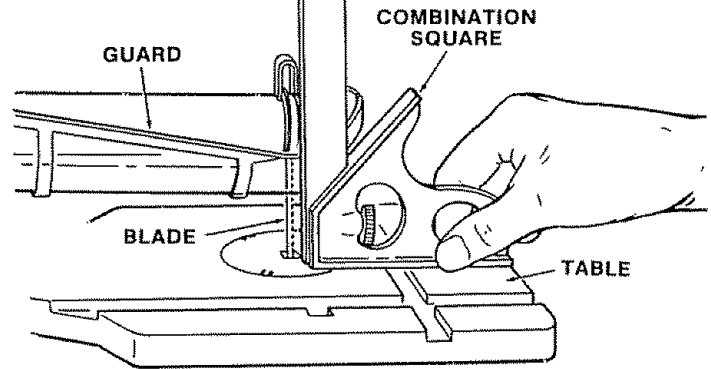
5. For pin type blades, place blade holder keys as shown on blade holders before releasing tension
6. After blade tension is released, pull blade out of upper and lower blade holders, remove blade holder keys and blade holders.



## ADJUSTING THE BLADE SQUARE TO TABLE

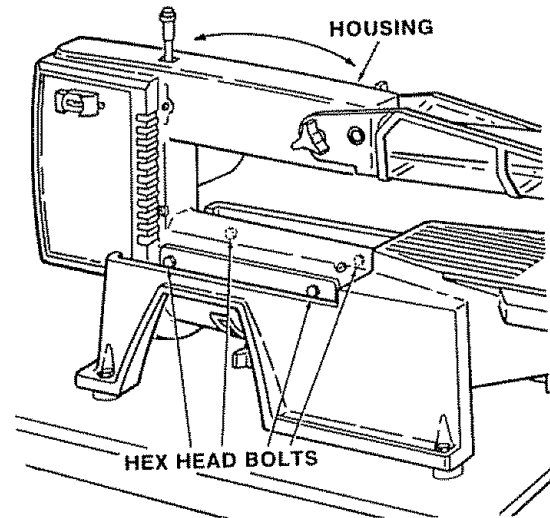
**WARNING: FOR YOUR OWN SAFETY, TURN SWITCH "OFF", REMOVE KEY AND REMOVE PLUG FROM POWER SOURCE OUTLET.**

1. WITH BLADE INSTALLED AND TENSIONED, place combination square on side of blade. Guard prevents placing square directly against blade, so gauge squareness of blade to table by viewing from side of saw.

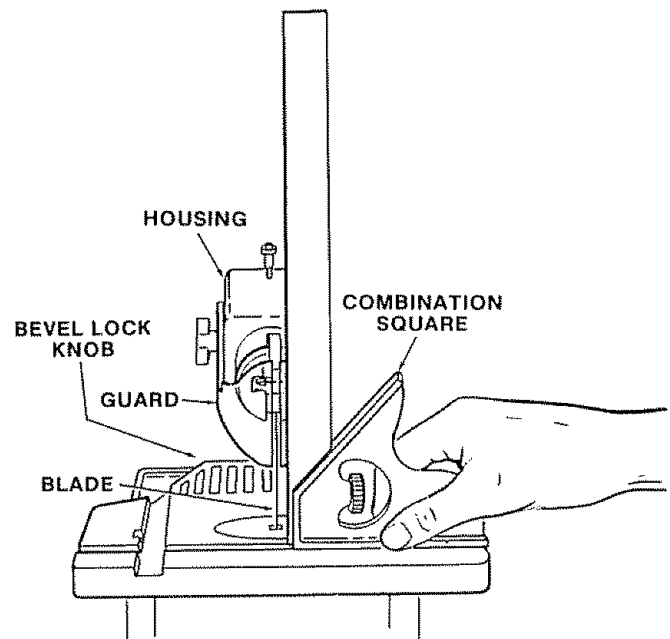
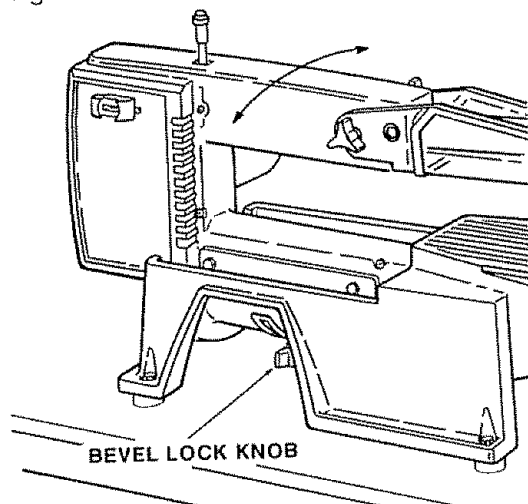


2. If an adjustment is necessary, loosen four (4) hex bolts located at back of lower arm on saw using 7/16" wrench. Align blade square to table by tilting housing forward or backward, and retighten all four (4) bolts.

**NOTE:** Make certain the blade is centered in the insert opening. Readjust if necessary by loosening four hex head bolts and moving housing to center the blade. Retighten bolts.



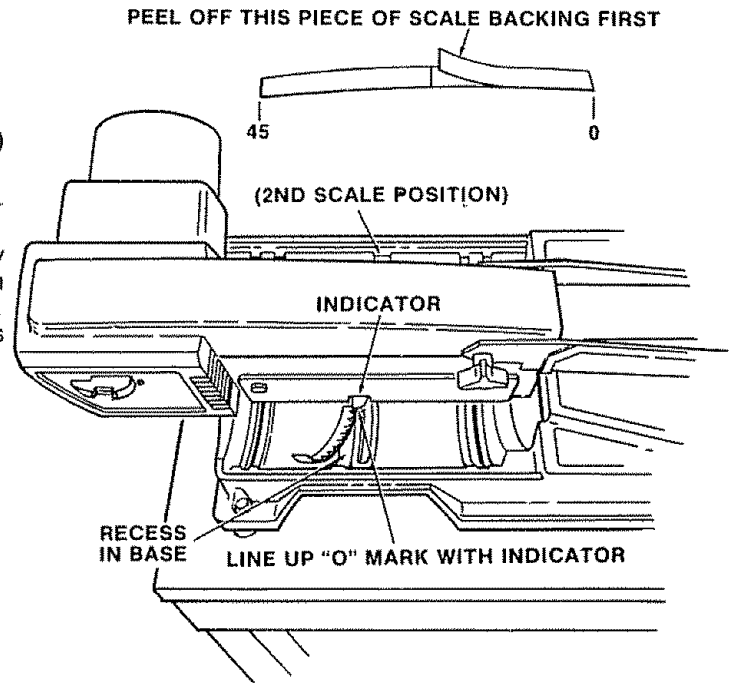
3. Place square in front of blade. Guard prevents placing square directly against blade, so gauge squareness of table to blade by viewing from front of saw.
4. If an adjustment is necessary, loosen bevel lock knob located under base and rotate housing slightly to align blade to combination square. Tighten bevel lock knob.



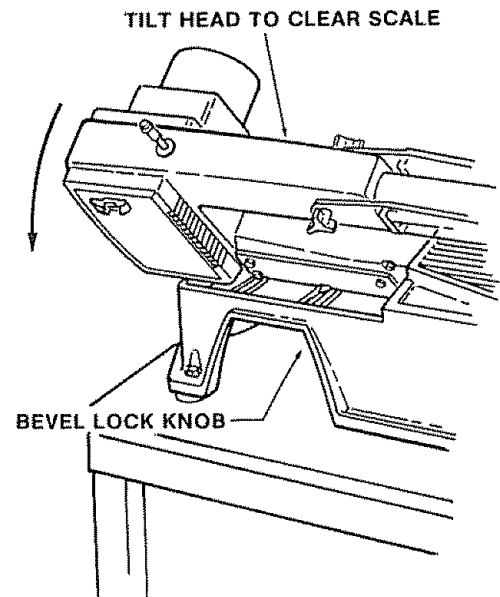
# assembly

## INSTALLATION OF BEVEL SCALES

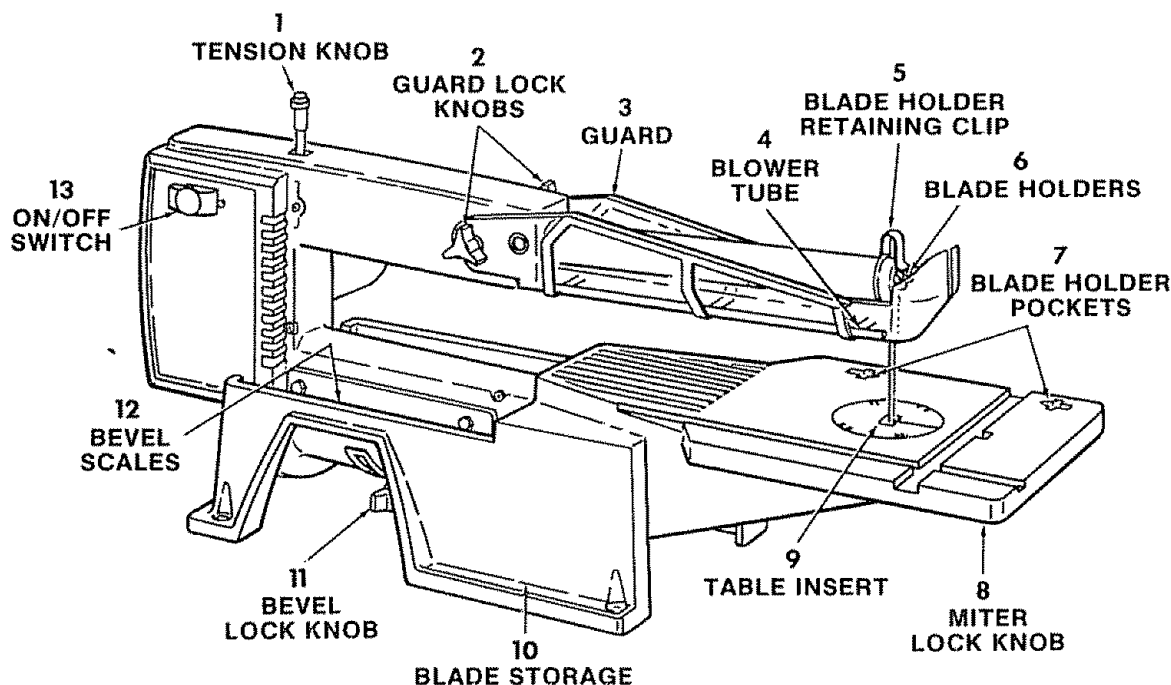
1. With blade installed and tensioned, locate two (2) bevel scales among loose parts.
2. Locate slit in paper backing on back side of scale. Remove backing on the zero end of scale.
3. While holding scale by the end still protected by the backing, lightly position unprotected end in the scale recess and slide it under the indicator. Align the zero mark with the indicator and press the scale to the base.



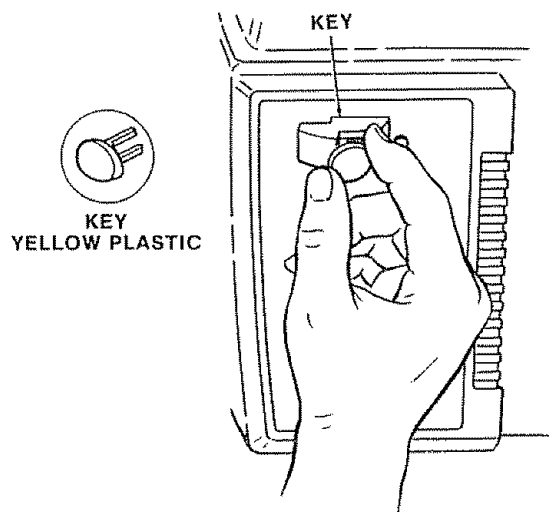
4. Loosen bevel lock knob located under the base and tilt head away from scale.
5. Fold scale back and remove remaining paper backing. Press entire scale against base. Smooth out any wrinkles or air bubbles.
6. Repeat on opposite side.



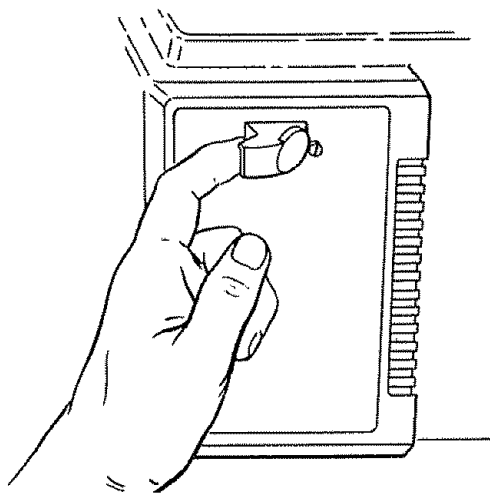
# getting to know your scroll saw



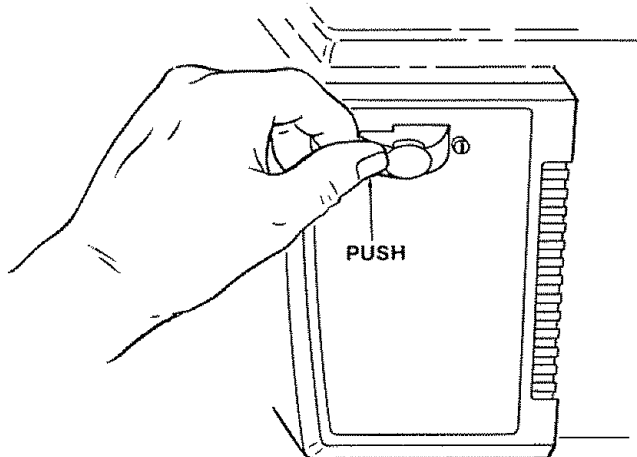
1. **TENSION KNOB** . . . Tightening the knob (clockwise) will increase the tension on the blade. Loosening it (counter clockwise) will decrease the tension.
2. **GUARD LOCK KNOBS** . . . Loosening the knobs will allow the guard to be adjusted to the proper working height for the thickness of the workpiece.
3. **GUARD** . . . Provides added control of workpiece by being set directly against thickness of material.
4. **BLOWER TUBE** . . . Clears pattern lines on workpiece by blowing off sawdust particles which can accumulate while cutting. Tube is mounted directly behind the blade on the guard, and it operates whenever saw is on.
5. **BLADE HOLDER RETAINING CLIPS** . . . Aid in positioning, retaining, and releasing blade holders.
6. **BLADE HOLDERS** . . . Retain and position the blade.
7. **BLADE HOLDER POCKETS** . . . Help operator to accurately align, position, and tighten blade in blade holders by securing holders during blade installation.
8. **MITER GAUGE LOCK KNOB** . . . Turning the knob tightens wedge in miter slot to allow miter gauge to be securely locked in either of the two intersecting miter slots. Several types of cuts can be made from various miter gauge positions.
9. **TABLE INSERT** . . . Removes for clearance and viewing during blade assembly installation, and locks in table while sawing.
10. **BLADE STORAGE** . . . Space provided in the saw base for extra blades, holders, and set screw wrench.
11. **BEVEL LOCK KNOB** . . . Loosening knob allows blade and housing assembly to tilt up to 45° right or left for bevel cuts.
12. **BEVEL SCALES** . . . Shows degree blade is tilted for bevel cutting.
13. **ON-OFF SWITCH** . . . The On-Off Switch has a locking feature. THIS FEATURE IS INTENDED TO PREVENT UNAUTHORIZED AND POSSIBLY HAZARDOUS USE BY CHILDREN AND OTHERS.  
1 Insert Key into switch.  
**NOTE:** Key is made of yellow plastic.



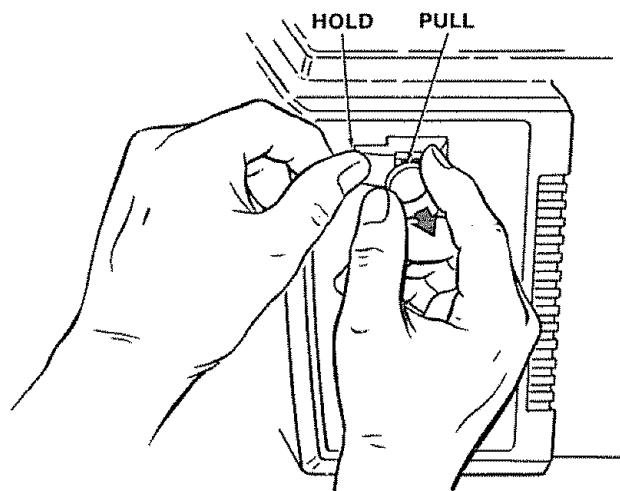
2. To turn machine on, place finger under switch lever and pull end of switch out.



3. To turn machine OFF . . . PUSH lever in.  
**NEVER LEAVE THE MACHINE UNATTENDED UNTIL IT HAS COME TO A COMPLETE STOP.**

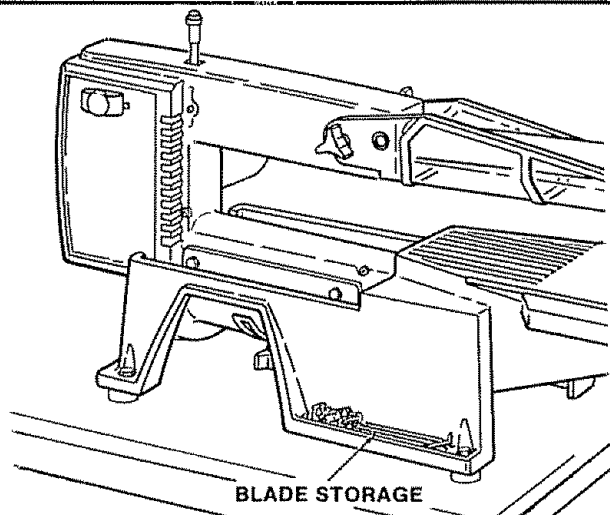


4. To lock switch in OFF position . . . hold switch IN with one hand . . . REMOVE key with other hand.  
**WARNING: FOR YOUR OWN SAFETY, ALWAYS LOCK THE SWITCH "OFF" WHEN MACHINE IS NOT IN USE . . . REMOVE KEY AND KEEP IT IN A SAFE PLACE . . . ALSO . . . IN THE EVENT OF A POWER FAILURE (ALL OF YOUR LIGHTS GO OUT) TURN SWITCH OFF . . . REMOVE THE KEY AND STORE IT REMOTE FROM THE SCROLL SAW. THIS WILL PREVENT THE MACHINE FROM STARTING UP AGAIN WHEN THE POWER COMES BACK ON.**



## BLADE STORAGE

Extra blades & blade holders are included with the scroll saw. See illustration for location of storage for blades and holders, and also storage for set screw wrench.



## basic scroll saw operation

**NOTE:** Make certain set screws in blade holders are tight prior to each use of the scroll saw

**WARNING: NEVER OPERATE WITHOUT TABLE INSERT IN PLACE.**

This scroll saw accepts a wide variety of blade widths and thicknesses: 5" to 6" length plain end type blades and 5" length pin type blades. The blade size (thickness and width) and the number of teeth per inch are determined by the type of material and the smallest radius being cut.

**NOTE:** Use wider blades to achieve straightest cuts.

A scroll saw is basically a "curve cutting" machine. It can also be used for straight-line cutting operations such as cross cutting, ripping, mitering, beveling, and compound cutting.

Using the proper blade for the material and thickness being cut will help the operator to follow pattern lines. (Use wider blades to achieve the straightest cuts ) Blade teeth should always point down.

When a blade is dull, or when insufficient blade tension is being used, the blade may have a tendency to twist or break.

To minimize blade breakage and to produce more accurate results, be sure the blade is not forced into the workpiece. Too much pressure should not be applied on the wood as it is fed into the blade. Steady, even pressure will produce more uniform, cleaner cutting with less blade breakage.

Loosen blade tension knob when scroll saw is not in use. Follow procedure to tension blade before use.

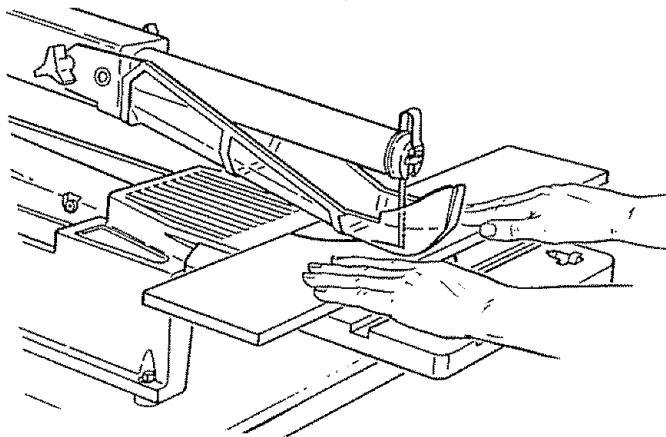
The scroll saw has the capability of inside cutting (piercing). Pin-type blades are recommended when inside cutting as the best type of blade to use for maximum performance. Drill an over-sized hole in scrap section of workpiece. Locate two (2) blade holder keys among loose parts. Position each key over one installed blade holder to secure holder while installing blade through workpiece. Release tension knob. (see BLADE INSTALLATION-GETTING TO KNOW YOUR SCROLL SAW) Remove blade, and place workpiece on table with drilled hole aligned over blade slot in insert. Replace blade, sliding it through drilled hole and insert slot. Reinstall blade in lower and upper blade holders. Retighten tension knob (see BLADE

INSTALLATION-GETTING TO KNOW YOUR SCROLL SAW). Remove two (2) blade holder keys and store for future use.

Plain-end blades can be used for inside cutting. Follow the procedure for pin-type blades, and loosen set screws in upper and lower blade holders using set screw wrench. When installing blade in blade holders, tighten set screws with wrench.

Use caution when cutting off material which is irregular in cross section which could pinch the blade before the cut is completed. A piece of molding for example must lay flat on the table and not be permitted to rock while being cut.

Use caution when cutting off round material such as dowel rods, or tubing. They have a tendency to roll while being cut causing the blade to "bite". Always use a "V" block, or clamp round material to a miter



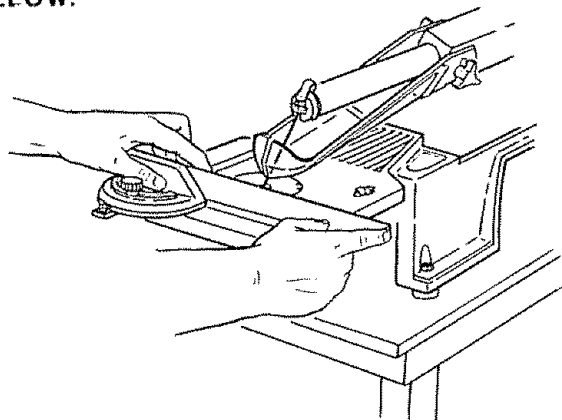
### SAWING/SCROLLING

1. Adjust the guard to just contact the top of the workpiece.
2. Use both hands while feeding the work into the blade. Hold the workpiece firmly against the table. Use gentle pressure, and do not force the work, but allow the blade to cut.
3. Avoid putting side loads on the blade during cutting to keep cut square to table.

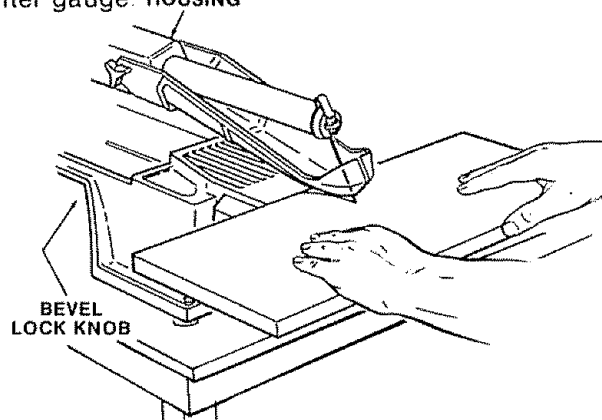
**NOTE:** When very sharp curves are to be cut, narrow blades should be used. Remove blade clips when using narrow blades.

### BEVEL SETTING/CUTTING

**WARNING: TO AVOID RUNNING THE MITER GAUGE INTO THE GUARD, ALWAYS SET THE BEVEL ANGLE TO THE RIGHT AS SHOWN BELOW.**



Loosen bevel lock knob and tilt housing of saw to the desired angle degree by reading bevel scales. Adjust the guard to just contact the top of the workpiece. Perform bevel cuts by feeding workpiece into blade without a guide or using the miter gauge. HOUSING

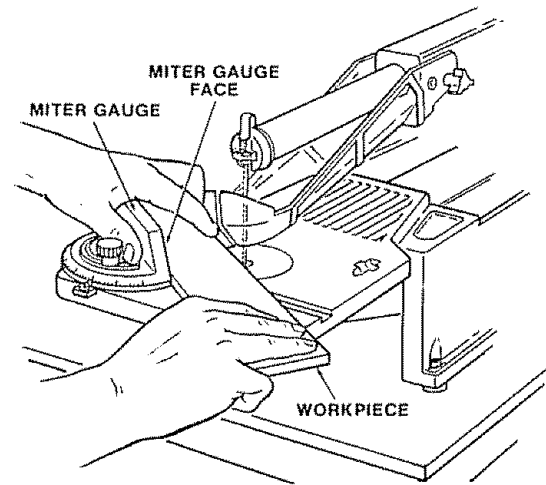


# basic scroll saw operation

## USE OF MITER GAUGE - CROSS CUTTING

**WARNING: TO AVOID WORK INSTABILITY OR RUNNING THE MITER GAUGE INTO THE BLADE, TURN THE MITER GAUGE FACE TOWARD THE BLADE AND USE THE MITER SLOT ACROSS THE TABLE FRONT FOR ALL ANGLES OVER 55°. USE THE SLOT PARALLEL TO THE SAW ARM FOR ALL OTHER ANGLES.**

To perform a miter or crosscut on the scroll saw, do not use miter gauge lock knob and wedge. (Store knob and wedge for future use) Adjust the guard to just contact the top of the workpiece. The miter slot running parallel to saw arm should be used when blade teeth are in the front position. Hold workpiece against face of miter gauge, and cut off board at desired dimension by pushing miter gauge and board forward.

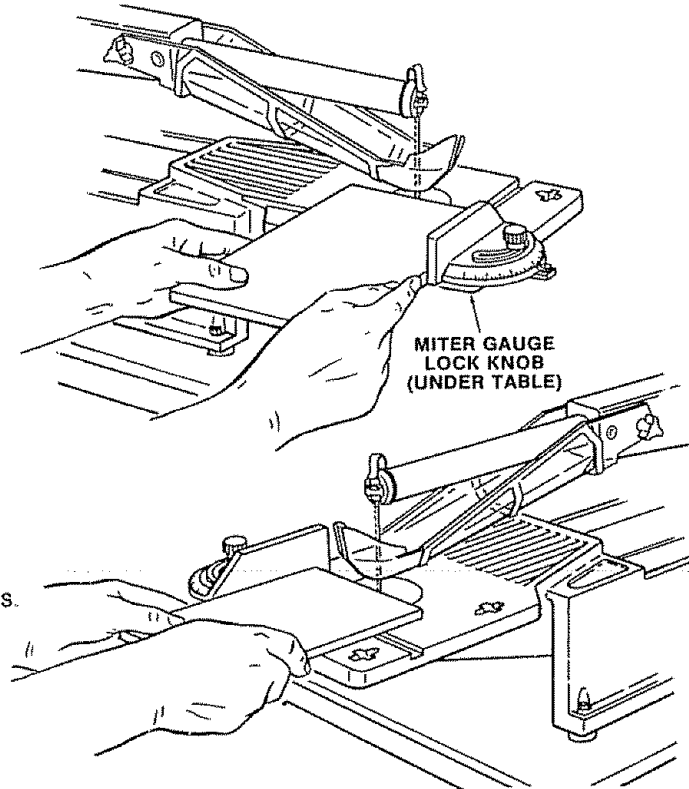


**NOTE:** Use wider blades to achieve straight cuts.  
**WARNING: NEVER LEAVE THE MITER GAUGE LOOSE ON THE SAW. VIBRATION MAY CAUSE HAZARDOUS MOVEMENT.**

## USE OF MITER GAUGE - RIPPING

To perform a rip cut on the scroll saw, use the miter gauge lock knob and wedge to secure the miter gauge in the slot. The miter slot running perpendicular to the saw arm should be used when ripping boards less than 18 inches in length and when the blade teeth are in the front position. The miter slot running parallel to the saw arm should be used for ripping longer boards and when blade teeth are in the side position. Adjust the guard to just contact the top of the workpiece. Tighten miter gauge lock knob at desired setting and feed workpiece into blade **using miter gauge face as a rip fence**. Miter gauge head must be oriented and locked at 0° miter angle position to perform a rip cut.

**NOTE:** Use wider blades to achieve straightest cuts.

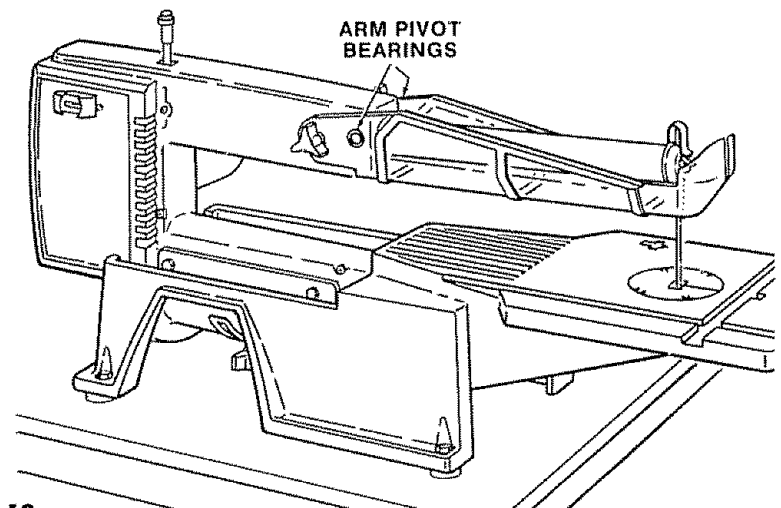


# maintenance

**WARNING: FOR YOUR OWN SAFETY, TURN SWITCH "OFF", REMOVE KEY AND REMOVE PLUG FROM POWER SOURCE OUTLET BEFORE MAINTAINING OR LUBRICATING YOUR SAW.**

## GENERAL

Keep your Scroll Saw clean.  
Do not allow pitch to accumulate on the table, table insert, blade or blade holders. Clean them with Craftsman Gum and Pitch Remover.  
Apply a thin coat of automobile-type wax on the table so the wood slides easily while cutting. Also apply wax to the inside surfaces of the trunnion (base)



## MOTOR

Frequently vacuum or blow out any sawdust from the motor.

If the power cord is worn, cut, or damaged in any way, have it replaced immediately.

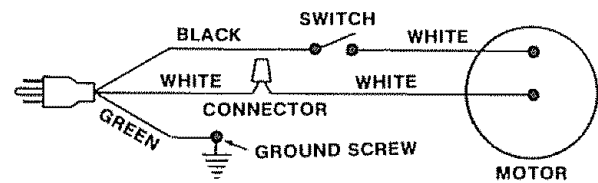
## LUBRICATION

All of the BALL BEARINGS are packed with grease at the factory. They require no further lubrication. Lubricate arm pivot bearings occasionally with light weight machine grade oil, or 20 weight motor oil. Multi-purpose household lubricants may also be used.

## RECOMMENDED ACCESSORIES

<b>Item</b>	
Leg Set .....	9-22239
Blades .....	See Catalog
Casters .....	9-22221 or 9-22222

### WIRING DIAGRAM



## trouble shooting

**WARNING: FOR YOUR OWN SAFETY, TURN SWITCH "OFF", REMOVE KEY AND REMOVE PLUG FROM POWER SOURCE OUTLET BEFORE TROUBLESHOOTING YOUR SCROLL SAW.**

TROUBLE	PROBABLE CAUSE	REMEDY
Motor will not run.	<ol style="list-style-type: none"> <li>1. Defective On-Off switch. Defective switch cord Defective switch box receptacle</li> <li>2. Motor Defective.</li> <li>3. Cutting too fast, defective blade; mechanism jammed.</li> </ol>	<ol style="list-style-type: none"> <li>1. Replace defective parts before using Scroll Saw again</li> <li>2. Consult Sears Service. Any attempt to repair this motor may create a HAZARD unless repair is done by a qualified service technician. Repair service is available at your nearest Sears Store</li> <li>3. A slot has been provided in the end of the motor shaft to insert screwdriver to manually cycle motor. Unit must be unplugged from power source.</li> </ol>
Scroll Saw slows down when cutting.	<ol style="list-style-type: none"> <li>1. Cutting too small a radius</li> <li>2. Dull blade.</li> </ol>	<ol style="list-style-type: none"> <li>1. Stop feeding, and back up to the material slightly, until the scroll saw speeds up; use smaller blade</li> <li>2. Replace blade</li> </ol>
Blades breaking or bending.	<ol style="list-style-type: none"> <li>1. Too little tension.</li> <li>2. Kink in blade caused by cutting too small a radius or turning the material too fast when cutting.</li> <li>3. Blade not set far enough in blade holders.</li> <li>4. Forcing workpiece into blade or sideloading blade excessively.</li> </ol>	<ol style="list-style-type: none"> <li>1. Adjust tension. See "Getting To Know Your Scroll Saw Tension Setting".</li> <li>2. Use correct cutting technique. See "Basic Scroll Saw Operation" Section.</li> <li>3. Remove blade holder assembly and reinstall blade correctly in holders. See "Assembly Blade Installation".</li> <li>4. Do not force workpiece. Allow blade to cut. Avoid applying excessive sideload.</li> </ol>
Blade twisted or out of line.	<ol style="list-style-type: none"> <li>1. Blade Holders incorrectly set in arm end caps</li> <li>2. Blade not square to table</li> </ol>	<ol style="list-style-type: none"> <li>1. Adjust blade holders — See "Assembly - Blade Installation"</li> <li>2. Adjust blade to table - See "Assembly - Adjusting the Blade Square to Table".</li> </ol>



**PARTS LIST FOR CRAFTSMAN 18-INCH MOTORIZED SCROLL SAW  
MODEL NO. 113.207600 AND 113.207650**

**Always order by Part Number - Not by Key Number**

**FIGURE 1**

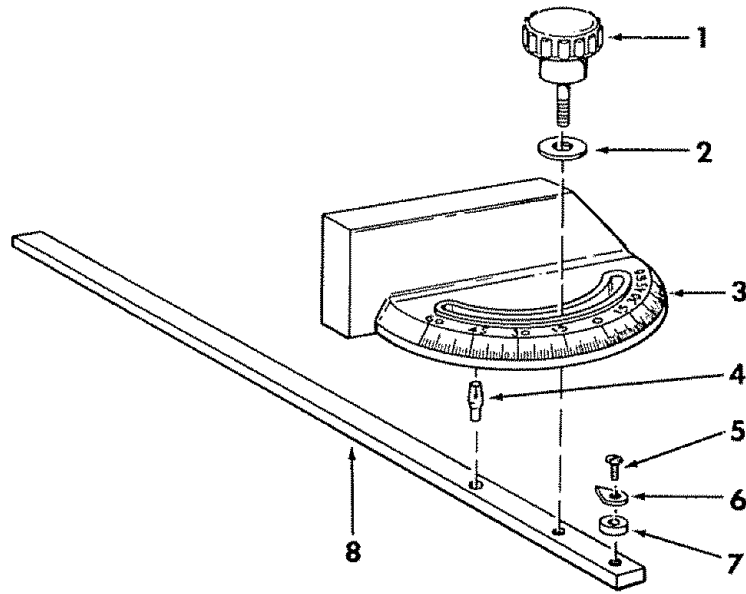
Key No.	Part No.	Description
1	STD601105	*Screw, Pan Cross Type "T" 10-32 x 1/2
2	66015	Cover, Motor
3	66016	Fan
4	66005	Motor
5	66032	Housing Assembly
6	60464	Spacer
7	STD551010	*Washer, 13/64 x 7/16 x .025
8	66021	Knob
9	66034	Tube Assembly, Upper
10	66024	Retainer
11	66009	Cap
12	66019	Holder, Blade
13	60527	Screw, Hex Soc Half Dog Set 10-32 x 1/4
14	66011	Clip, Blade
15		†Blade, Scroll Saw
16	66029	Wedge, Blade Tension
17	66010	Channel, V
18	66007	Bearing, Flanged
19	STD541408	*Nut, Hex Locking 8-32
20	66014	Counterbalance
21	STD551012	*Washer, 17/64 x 1/2 x 1/32
22	STD551231	*Lockwasher, Internal 5/16
23	60460	Screw, Shoulder 5/16
24	66018	Guard, Blade
25	809102-2	Knob
26	60129	Washer, 21/64 x 1/2 x 1/32
27	60461	Screw, Hex Cap 5/16-18 x 2
28	66036	Link Assembly
29	60467	Ring, Retaining
30	60466	Washer, .190 x .88 x .040
31	66035	Tube Assembly Lower
32	62442	Switch, Locking
33	60256	Key, Switch
34	STD601103	*Screw, Pan Cross Type "T" 10-32 x 5/16

Key No.	Part No.	Description
35	STD551210	*Lockwasher, External No. 10
36	66025	Rod, Tension
37	66030	Wedge, Rip Fence
38	66033	Insert Assembly
39	STD551206	*Lockwasher, Internal No. 6
40	60459	Screw, Fil Hd. Type "T" 10-32 x 1 3/8
41	STD600603	*Screw, Pan Sl. Type "T" 6-32 x 5/16
42	66022	Panel, Trim
43	62176	Knob, Miter Gauge
44	60526	Bolt, Carriage 1/4-20 x 2-1/2
45	805116	Bumper, Rubber
46	STD551125	*Lockwasher, 1/4
47	STD541025	*Nut, Hex 1/4-20
48	60465	Washer, 21/64 x 47/64 x 1/16
49	63387	Knob
50	66012	Clip, Trunnion
51	66006	Base
52	66026	Scale, Bevel
53	66008	Bracket, Trunnion
54	STD533107	*Bolt, Carriage 5/16-18 x 3/4
55	STD551225	*Lockwasher, External 1/4
56	STD522503	*Screw, Hex Hd. 1/4-20 x 3/8
57	60463	Spacer
58	66023	Pump
59	66028	Tubing
60	27733	Nut, 5/16
61	66027	Spring
62	STD502502	*Screw, Set 1/4-20 x 1/4
63	37818	Relief, Strain
64	66013	Cord with Plug
65	803709	Connector, Wire
66	62170	Gauge Assembly, Miter
67	66020	Key, Blade Holder
68	37836	Wrench, Hex L 3/32
	66017	Owner's Manual (Not Illustrated)
	66031	Bag of Loose Parts (Not Illustrated)

\*Standard hardware items - may be purchased locally

† Stock Item - May be secured through the Hardware Dept.  
of most Sears Retail Stores or Catalog Order Houses

**PARTS LIST FOR CRAFTSMAN 18-INCH MOTORIZED SCROLL SAW  
MODEL NO. 113.207600 AND 113.207650**

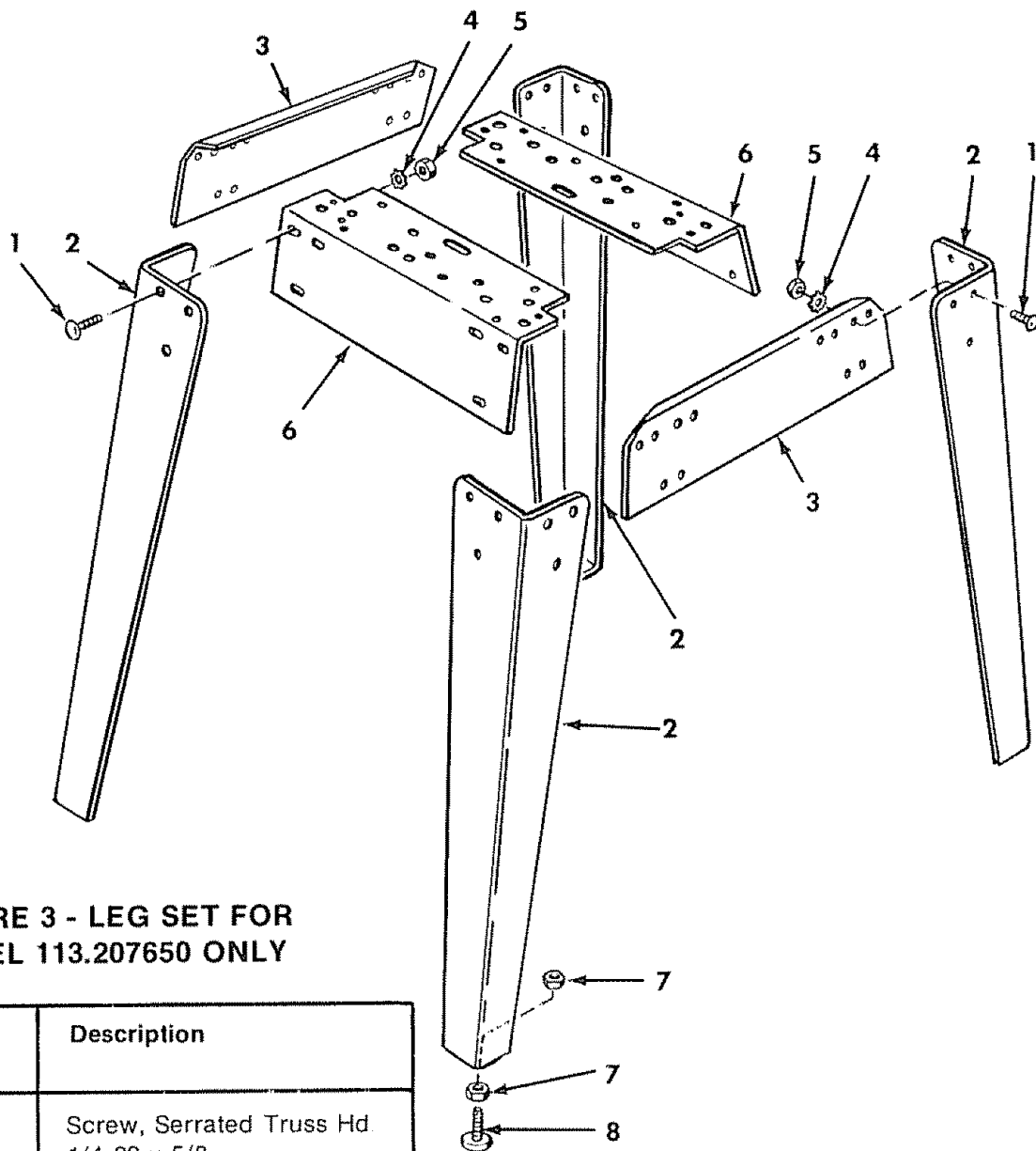


**FIGURE 2 - MITER GAUGE ASSEMBLY**

Key No.	Part No.	Description
	62170	Gauge Assy., Miter
1	62176	Knob, Miter Gauge
2	STD551010	*Washer, 13/64 x 5/8 x 1/32
3	62173	Gauge, Miter
4	62175	Pin, Miter Pivot
5	STD510802	*Screw, Pan Hd. 8-32 x 1/4
6	38724	Pointer
7	62177	Spacer
8	62174	Bar, Miter Gauge

\*Standard hardware items - may be purchased locally

**PARTS LIST FOR CRAFTSMAN 18-INCH MOTORIZED SCROLL SAW  
MODEL NO. 113.207600 AND 113.207650**



**FIGURE 3 - LEG SET FOR  
MODEL 113.207650 ONLY**

Key No.	Part No.	Description
1	60314	Screw, Serrated Truss Hd 1/4-20 x 5/8
2	63749	Leg
3	62554	Stiffener, Side
4	STD551225	*Lockwasher, Ext. 1/4
5	STD541025	*Nut, Hex 1/4-20
6	62615	Stiffener, End
7	STD541250	*Nut, Hex 1/2-13
8	803835	Foot, Leveling
	66037	† Bag of Loose Parts (not illustrated)
<b>HARDWARE FOR MTG. TOOL.</b>		
	STD551012	*Washer, 17/64 x 9/16 x 3/4
	STD522512	*Screw, Hex Hd 1/4-20 x 1 1/4

\*Standard Hardware Items — May be Purchased Locally.

† Bag contains all Loose Parts for Legs



*owners  
manual*

**SERVICE**

**MODEL NO  
113.207600  
SAW ONLY**

**MODEL NO.  
113.207650  
SAW WITH LEGS**

**HOW TO ORDER  
REPAIR PARTS**

**18-INCH  
MOTORIZED SCROLL SAW**

Now that you have purchased your 18-inch motorized Scroll Saw should a need ever exist for repair parts or service, simply contact any Sears Service Center and most Sears, Roebuck and Co. stores. Be sure to provide all pertinent facts when you call or visit.

The model number of your 18-inch motorized Scroll Saw will be found on a plate at the right hand side of the saw.

WHEN ORDERING REPAIR PARTS, ALWAYS GIVE THE FOLLOWING INFORMATION:

PART NUMBER	PART DESCRIPTION
MODEL NUMBER 113.207600 or 113.207650	NAME OF ITEM 18-Inch Motorized Scroll Saw

All parts listed may be ordered from any Sears Service Center and most Sears stores. If the parts you need are not stocked locally, your order will be electronically transmitted to a Sears Repair Parts Distribution Center for handling.

**Sold by SEARS, ROEBUCK AND CO., Chicago, IL. 60684 U.S.A.**

