

8-BUTTON COUNTDOWN IN-WALL TIMER WITH REPEATING FUNCTION

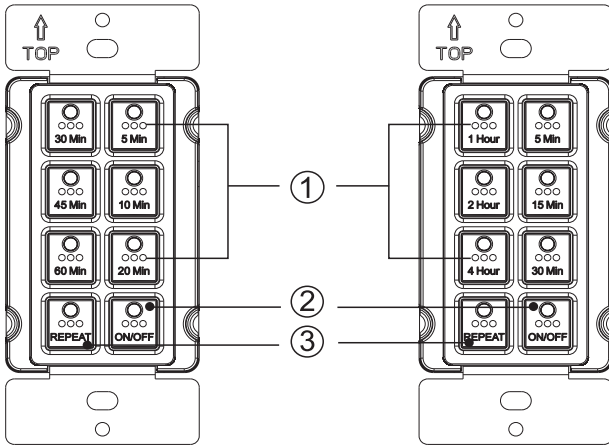


Please keep this instruction

www.bn-link.com

Designed in California, Made in China

PRODUCTS VIEW



BND-60/U110a-1

BND-60/U110b-1

- ① **Countdown Program Button:** Press to start a countdown program.
- ② **ON/OFF Button:** Manually turn ON/OFF or override a running program.
- ③ **24-Hr Repeat Button:** Activate or deactivate the daily repeat of a program.

There are 8 buttons on the main panel: 6 countdown buttons, **ON/OFF** button and **REPEAT** button.

Configuration of the countdown buttons varies in different sub-models:

U110a-1: 5Min, 10Min, 20Min, 30Min, 45Min, 60Min

U110b-1: 5Min, 15Min, 30Min, 1Hour, 2Hour, 4Hour

TECHNICAL SPECIFICATIONS

125V~,60Hz

15A/1875W Resistive, 10A/1250W Tungsten,

10A/1250W Ballast, 1/2HP, TV-5

Operating temperature: 5°F–122°F(-15°C–50°C)

Storage temperature: -4°F–140°F (-20°C–60°C)

Insulation class: II

Protection class: IP20

Clock accuracy: ± 2 minutes/month

⚠ WARNING

- **Single Pole:** Timer will control devices from one location. Do not use in a 3-Way application where multiple switches control the same device.
- **Neutral Wire:** This is a wire that must be available as part of the wiring in the building. Timer will not function properly if a neutral wire is not available in the wall box.
- **Direct Wire:** This timer is only intended to be permanently installed into an electrical wall box.
- To avoid fire, shock, or death, turn off power at circuit breaker or the fuse box before wiring.
- Installation by a licensed electrician to local, state and national codes is recommended.
- For indoor use only.
- Do not exceed electrical ratings.

INSTALLATION

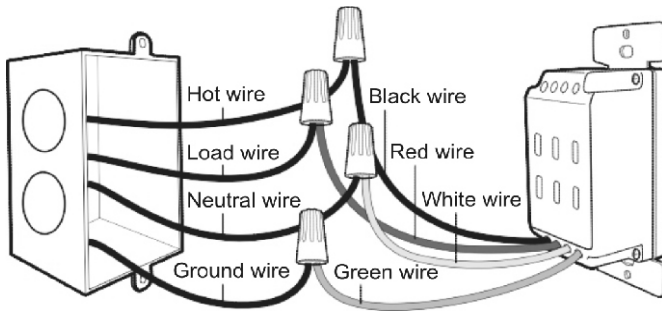
1. Turn off power at circuit breaker or fuse box before uninstalling existing device or installing new timer.
2. Remove existing wall plate and switch from wall box.
3. Make sure the following 3 wires are present in the wall box.
 - a. 1 Hot Wire from circuit breaker box
 - b. 1 Load Wire to the device to be powered
 - c. 1 Neutral Wire

If these are not present, this Timing Device will not function properly. Additional wiring to the wall box will be required before installation of this timer can be completed.

4. Strip wires 1/2-inch long.
5. Use the included wire nuts and securely twist together to attach the timer wires to the building wires.

Wiring:

From Timer		In Wall Box
Black Wire	-----	Hot Wire
Red Wire	-----	Load Wire
White Wire	-----	Neutral Wire
Green Wire	-----	Ground Wire*
*or to ground post or screw terminal		



6. Insert timer into wall box being careful not to pinch any wires. Be sure timer is upright.
7. Fasten timer to the wall box using the screws provided.
8. Place the included decorator wall plate around the timer face.
9. Restore power at circuit breaker or fuse box.

OPERATING INSTRUCTIONS

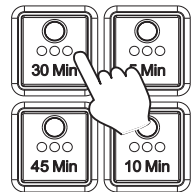
1. Initialization:

When the timer is first powered, all the indicators will illuminate and then go out after the self-diagnosis process. There is no power output at this stage.

2. Setting a countdown program:

Simply press the button that represents a desired countdown program, the indicator on the button illuminates and the countdown starts. The timer will output power and then cut it off when the countdown process ends. Pressing repeatedly the same button before the countdown ends will not restart the countdown.

Example: The 30-minute button is pressed at 12:00, pressing this button before 12:30 will not restart the countdown program.



3. Shifting to another countdown program

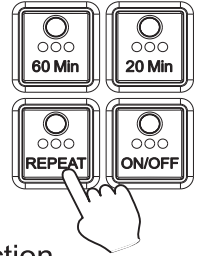
To shift to another countdown program, just press the corresponding button. The indicator on the previous button will go out and the indicator on the newly pressed button illuminates. The new countdown process starts.

Example: Press the 1-hour button while a 30-minute program is already in the run. The indicator on the 30-minute button will go out and the indicator on the 1-hour button illuminates. The timer will output power for 1 hour. The power output will not be cut off during the shift.

4. Activating the daily repeat function

Press the **REPEAT** button when a countdown program is running, the indicator on the **REPEAT** button illuminates, indicating that the daily repeat function is now active. The current program will run once again at the same time in the next day.

Example: If a 30-minute program is set at 12:00 and the REPEAT button is pressed at 12:05, the 30-minute countdown program will run every day at 12:05 from the next day on.



5. Deactivation of the daily repeat function

Follow either way below to turn off the daily repeat function.

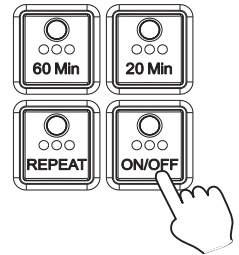
- Press **REPEAT** button, the indicator on the button will go out. This will not affect an ongoing program.
- Press **ON/OFF** button to end the ongoing program as well as the daily repeat function.

Note: When a countdown program is in the run with the daily repeat function active, press another countdown program button will start a new countdown process and deactivate the daily repeat function.

6. Termination of a countdown program.

A countdown program terminates in the following 2 conditions:

- When the countdown program completes, the indicator goes out and the power output is cut off.
- Press **ON/OFF** button at any time to terminate a countdown program. This operation also deactivates the daily repeat function.



7. Always ON

If a countdown is already in the run or the daily repeat function is active, press **ON/OFF** twice to set the timer to ALWAYS ON. If the timer is in OFF mode, press **ON/OFF** once.

Note: In ALWAYS ON mode, the indicator on the **ON/OFF** button illuminates and the power output is permanent.

8. Terminating ALWAYS ON

- a. Press **ON/OFF** button. The ON/OFF indicator goes out and the power output is cut off, or,
- b. Press a countdown program button.

9. Restarting a running countdown program

- a. Press **ON/OFF** to terminate the program and then press the countdown button, or
- b. Press another countdown button and then the previous countdown button, or
- c. Activate the daily repeat function (if it is already active, please deactivate first) and the current countdown process will restart. If the daily repeat function is not needed, please press **REPEAT** button again.

TROUBLESHOOTING

When the product is powered, please check that all buttons and indicators operate properly. Please note that REPEAT indicator illuminates only when a countdown program is active.

• PROBLEM:

No button is responsive when pressed.

◦ SOLUTION:

1. Check if the product is receiving power.
2. Check if the wiring is correct.

• PROBLEM:

The 24-hr repeat function is not active.

◦ SOLUTION:

1. Please check if the REPEAT indicator is on.
This function activates only when the indicator is on.

CENTURY PRODUCTS INC.

3545 Granada Ave El Monte Ca 91731
Custom Service Assistance: 1.909.592.1881
E-mail: support@bn-link.com
Http://www.bn-link.com
Hours: 9AM - 5PM PST, Mon - Fri
Designed in California Made in China